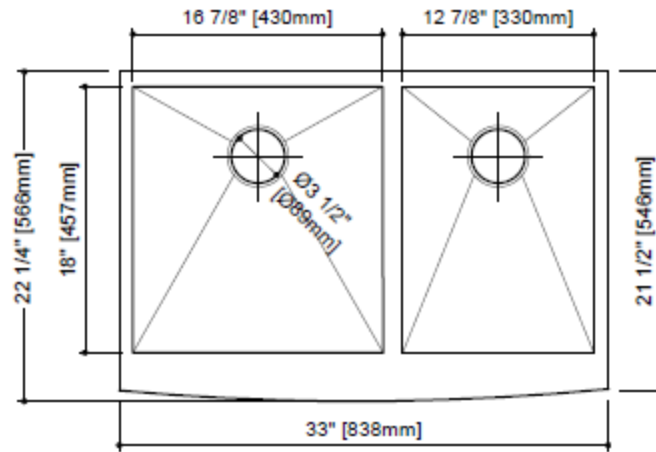


INSTALLATION GUIDE AND MATERIALS GUIDE

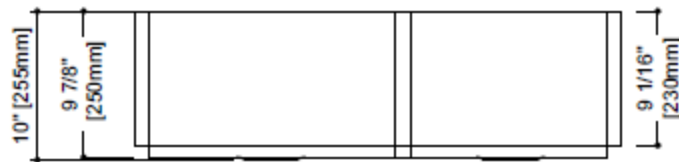


NOMINAL DIMENSIONS

MODEL #	BOWL SIZE	SINK DEPTH	EXTERIOR DIM.	GAUGE
SKR3322	16 3/4" x 18"	9 7/8"	33" x 22 1/4"	16
SKR3322D2	13" x 18"			



TOP VIEW



FRONT VIEW

INSTALLATION GUIDE AND MATERIALS GUIDE

INSTALLATION OF BOANN APRON SINKS

General Recommendations:

It is recommended that all installation of Sinks and Faucets be installed by a licensed professional plumber. Please see warranty information for more details.

Read installation and maintenance instructions thoroughly before installation. Inspect your sink for any noticeable damage before installation. Check all local applicable plumbing and building codes.

These instructions are based on application to composite material or solid surface countertop installation only; countertop application to stone, marble, granite or butcher-block should be referred to experienced countertop fabricator for custom installation.

BOANN sinks are individually hand-crafted and we suggest using experienced and professional installers only. For custom cutting of countertop and installation of the actual sink, on-site installation is also recommended. Acceptable variances are approximately 1/2 of an inch. Alignment to cut-out and precise application and trimming of any adhesive sealant are critical to a superior fit and finished look. Please take extra care in this regard.

BOANN Apron sinks require custom order cabinets. Consult your cabinet dealer.

BOANN does not accept any liability for damage to countertop, sink fixture, faucets or personal injury during installation. Warranty is void if installation instructions are not followed.

Tools and Materials needed:

Tape Measure
Denatured Alcohol
Wood Braces
Pencil (NOT ink)
Ear Protection
Framing Square
Silicone Adhesive Sealant
Eye Protection
Shims
Rags Hacksaw/Jigsaw

Be sure to use proper tools and always wear personal safety accessories for your protection.

INSTALLATION GUIDE AND MATERIALS GUIDE

Installation Options:

BOANN Apron sinks offer installation options depending on your design.

Undermount Installation

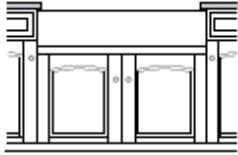


Figure 1

Flush mount Installation

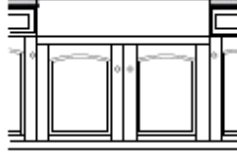


Figure 2

Above counter Installation

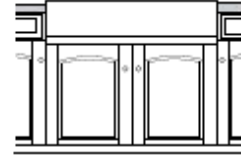


Figure 3

Caution: All installation types need to allow room for faucet installation. Ensure adequate clearance behind the sink for any faucet and backsplash, as well as full range of motion for faucet spouts and handles.

Typical Undermount installation with 1/4" reveal recommended.

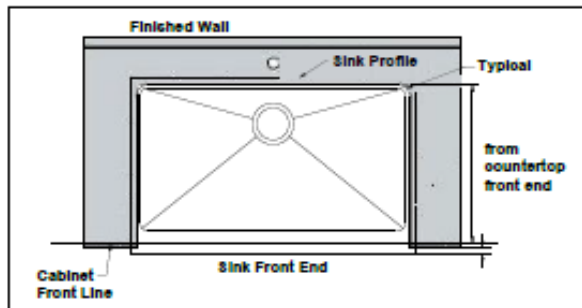


Figure 4

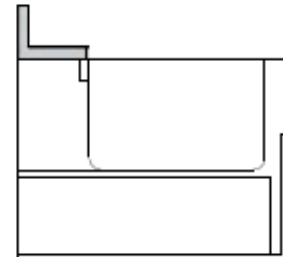


Figure 5

Typical flush mount and above counter installation

Above counter installation may expose sink sides to be raised above the countertop.

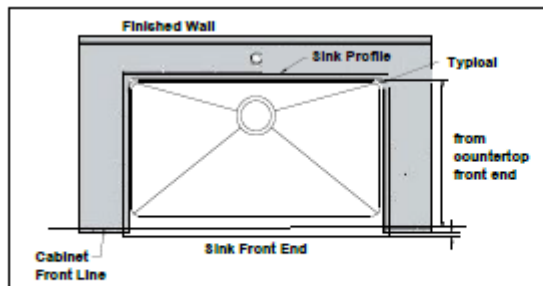


Figure 6

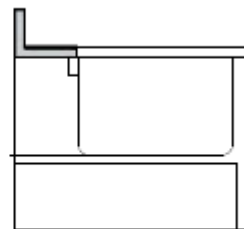


Figure 7

Contact your retailer if any product is damaged or missing prior to installation. Never install a damaged sink.

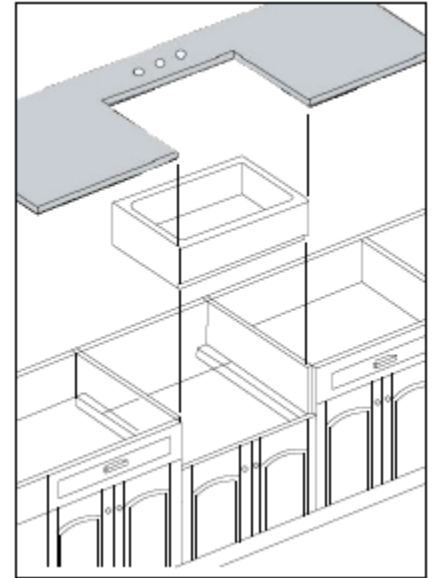
INSTALLATION GUIDE AND MATERIALS GUIDE

1. Prepare the sink base cabinet

Farmhouse sinks require custom order sink base cabinets with a front cutout to accommodate a 10" deep sink. Build structural supports on the inside frame of the sink base cabinet. The structural supports must support the weight of the sink and any attachments such as garbage disposals. When the sink is placed onto the cabinet support, make sure the top of the sink is evenly flush against the bottom of the countertop. Allow clearance for water supply line and drains or garbage disposal, as necessary.

2. Make template and cutout

Depending on the installation option, make proper cutout of the countertop. It is recommended that a 1/4" reveal on 3 sides when installed undermount style. For a flush mount or above counter installation, cut countertop along with outside of sink profile. Front end of Apron sinks are designed to be installed 3/4" extended out beyond the front end of the countertop. Cut countertop accordingly. No template is provided due to the custom nature of each application and installation. The actual sink is used as the template guide for each installation. After centering the sink and allowing for faucets and backsplashes, use a pencil to outline the sinks as your guide for the cutout, allowing for any reveal before the actual cutting.



3. Set the sink

Set the sink on top of the cabinet or into the cabinet front cutout. Apply sealant if necessary as a gasket between the sink and cabinet.

4. Install the countertop

Carefully clean bottom of countertop and top flange of the sink with denatured alcohol. Apply bead of silicone adhesive (not supplied) around the top edge of the sink. Place countertop onto the sink. Remove excess sealant from the lip of any surfaces with a cleaner recommended by manufacture of adhesive sealant.

INSTALLATION GUIDE AND MATERIALS GUIDE

Care & Maintenance

- Clean everyday by rinsing with mild soap and warm water and wipe dry
 - Rub lightly with soft cloth in direction of grain lines on a regular basis for additional preventative cleaning
 - Keep the sink free of any standing water as this can cause buildup of mineral deposits affecting the appearance of the sink
 - Any stubborn stains should be removed by scrubbing in the direction of the grain with mild abrasive cleaner
 - Always rinse the sink after using any cleaning agent and wipe dry. Clean any mineral deposits built up over time with a mild solution of vinegar and water followed by flushing it well with water
 - Remove any scratches with scotch-brite pad and cleaning agent rubbing in direction of the grain
-
- Do not leave water spots, steel cookware or utensils in the sink for long periods of time; iron particles can develop rust spots in stainless steel surfaces
 - Do not use a steel wool or scouring pad as it damages the sink surface and causes discoloration
 - Do not let cleaning agents or bleach sit in your sink for long periods of time as this will ruin the finish of the sink
 - Do not leave rubber mats, sponges, or cleaning pads in the sink for long periods of time as this may ruin the finish of the sink
 - Do not use any drain cleaning products containing sulfuric acid or hydrochloric acid as this will ruin the sink. Silver cleaners can also contain acids that will damage the sink surface
 - Do not use the sink as a cutting surface

INSTALLATION GUIDE AND MATERIALS GUIDE

Manufacturer Warranty:

All Boann products are manufactured and tested with the highest quality standards and rigorous quality control process. This warranty is limited to the non-commercial use of Boann products purchased and installed in the United States and Canada.

Boann Brand Limited Lifetime Warranty on Sinks

Boann warrants its products to be free from manufacturing defects in material and workmanship during the normal non-commercial by the original owner/end-user for personal household use. This warranty is non-transferable between homes or owners and only applicable for residential use. Any commercial or industrial use of Boann products automatically voids the warranty. Any warranty claim must include the original sales receipt as proof of purchase from an Authorized Dealer or Distributor of Boann products. (Authorized Dealers can be found by contacting Boann directly).

Boann recommends installation of all Boann products by a licensed professional plumber. Boann will not be responsible for any damage or product failure due to improper installation, misuse or the failure to adequately utilize a licensed professional. Proper care and maintenance for all products is standard, like any other household appliance and fixtures to ensure proper function and a lasting product. Instructions are provided in your manual on proper care and maintenance of Boann products.

This warranty will not cover any damages that might be caused by the product. (In some instances States do not allow for such limitations, so this may not apply to all owners).

Any and all warranty claims must include the original sales receipt as proof of purchase from an Authorized Dealer or Distributor of Boann products. Please contact Boann Support or Sales Department for assistance with the verification process. Any product reported to Boann as defective will be repaired or replaced (with a product of equal value) at the option of Boann. If Boann is not able to replace or repair the product, Boann may elect to refund the original purchase price to the original purchaser in exchange for the return of product. Boann has the full rights to inspect any Boann product reported as defective prior to repair or replacement. Any repair and replacement costs EXCLUDE shipping, labor for removal or re-installation and any consequential or special damages associated with return, replacement and installation of your product. Replacement parts may be obtained by calling **1-855-239-2666** (in the U.S. and Canada), by emailing us at info@boannstyle.com or writing to:

Boann

**382 N. Lemon Avenue #122
Walnut, CA 91789**

Boann reserves the rights to modify the warranty at any time, it being understood that any such modifications will not supersede warranty conditions that are applicable at the time of the original sale of products in question.

Though Boann products are certified by various agencies, Boann makes no implication that products comply with any or all local building or plumbing codes. It is the consumer's responsibility to determine any code compliances when installing and using Boann products.

Limitations of Warranty:

The warranty shall be not apply and be void for incorrect operating procedures, breakages and/or damages caused by fault through improper installation, carelessness, abuse, misuse, misapplication, improper maintenance and alteration of product; damages caused by chemicals, natural corrosion, accident, fire, flood, an act of God, or any casualty. Avoid abrasive cleaners, materials, steel wools and harsh chemicals as these will scratch, damage, and/or dull the products and/or finish of the products and void the warranty. The proper installation of product covered is the responsibility of the original owner/purchaser of the product. Boann neither installs nor supervises the installation nor hires contractors for this purpose; consequently Boann cannot be held responsible for any default breakage, or damages caused thereby or resulting thereof, either directly or indirectly.

This warranty does not apply to Products that have not been installed or operated in accordance with instructions supplied by Boann and all applicable rules, regulations, and legislation pertaining to such installations.

This warranty does not apply to Commercial or Industrial applications of Boann products.

Boann is not responsible or liable for personal injuries or deaths to any person for any direct, special, incidental, or consequential damage, loss of time, loss of profits, inconvenience, incidental expenses, labor or material charges, or any other cost resulting from the use of the product or equipment or pertaining to the application of the present warranty, or resulting from the removal or replacement of any product or element or part covered by this warranty.

In any case, Boann is not liable for any amount over and above the purchase price paid for the Product by the original owner/end-user.