

9ft Patio Umbrella

User Guide

<u>Item</u>	<u>Description</u>
A	finial
B	upper pole with canopy
C	bottom pole

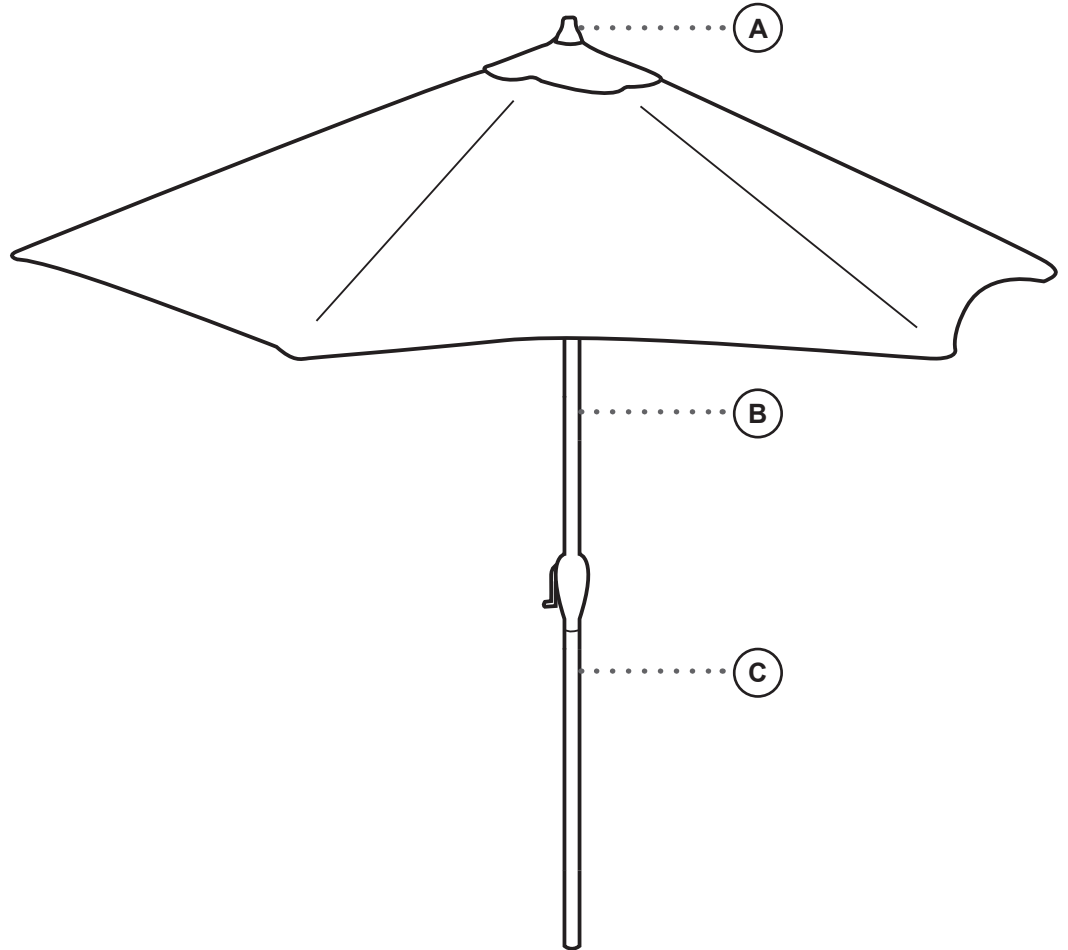


Table of Contents

<u>Description</u>	<u>Page</u>
Compatible Bases	3
Assembly & Opening	4
Tilting	5
Replacing Canopy	6-7
Cleaning & Storage	8
Questions & Warranty	9

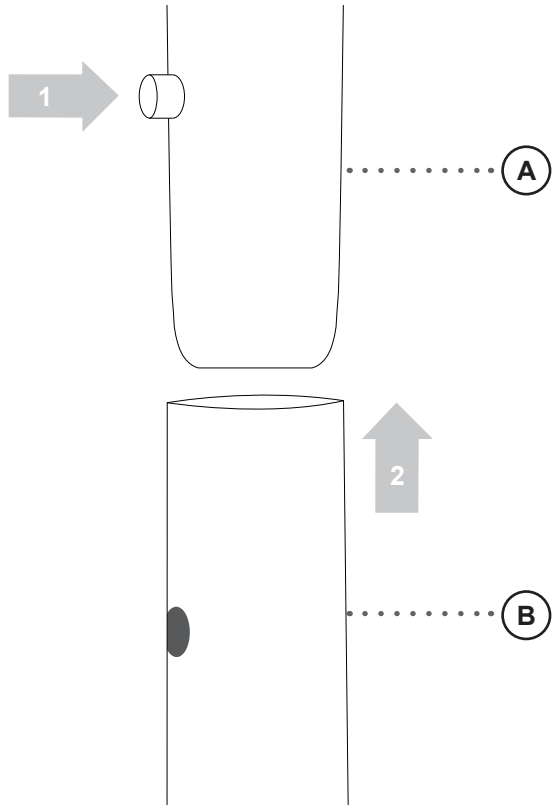
Compatible Bases

The following table shows the *minimum* weight of umbrella base required. It is recommended to always use a table in addition to an umbrella base.

Umbrella Size	Base and table	Base only
9ft	25lb	50lb
10ftx6ft	50lb	75lb
11ft	75lb	75lb

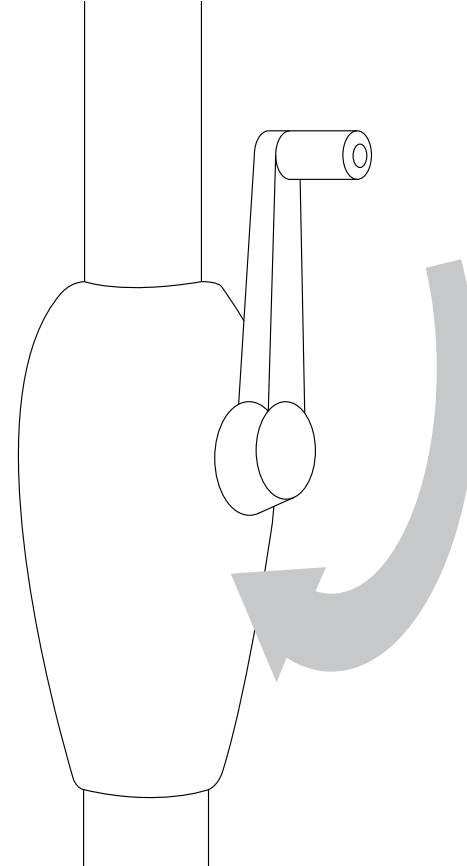
Assembly & Opening

step 1



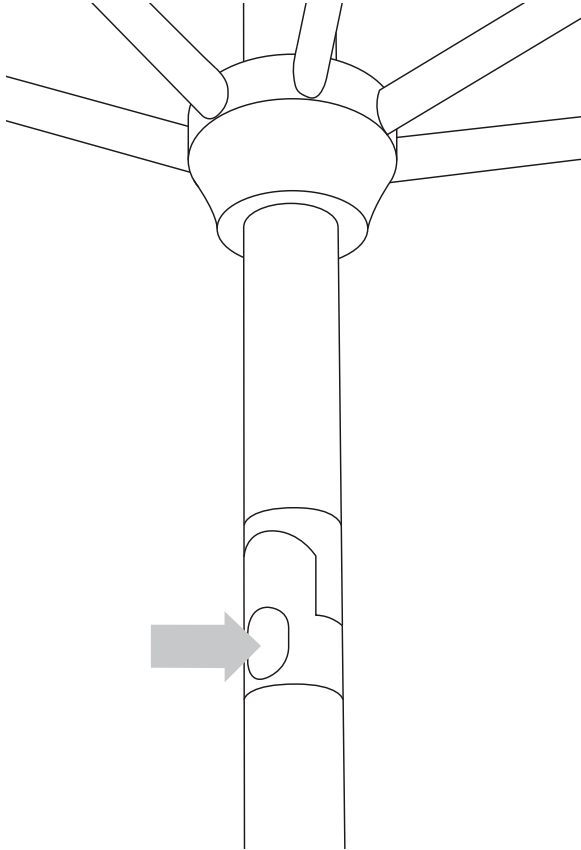
1. Press the button on the upper pole in.
2. Slide bottom pole onto upper pole until the button clicks into the hole on the bottom pole

step 2



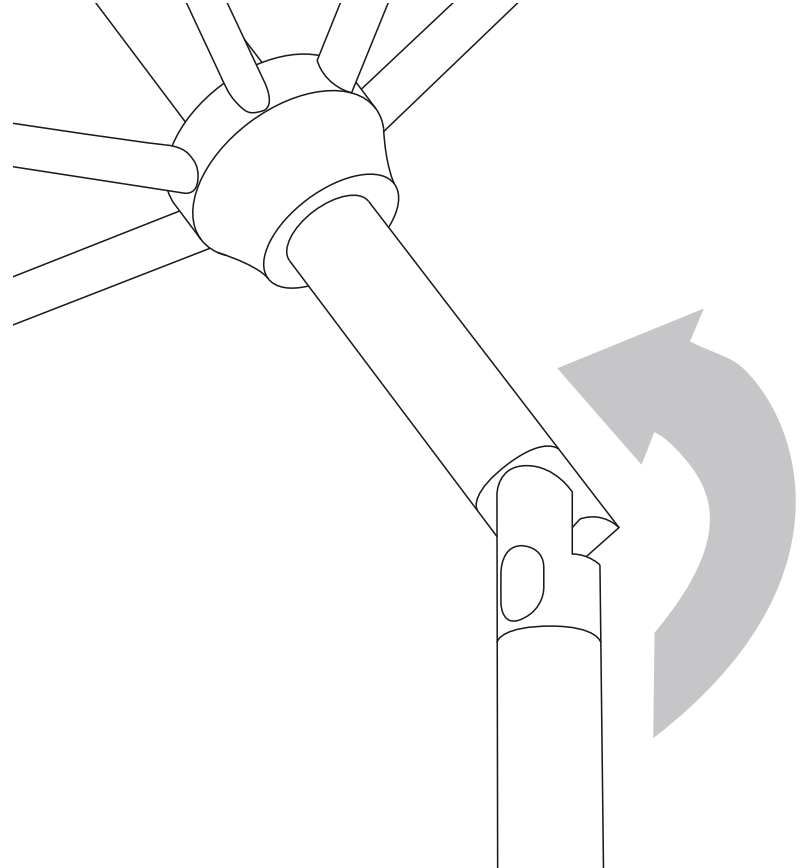
1. Turn the crank handle clockwise until the umbrella is fully opened.

Tilting step 1



1. Press the tilt button in fully

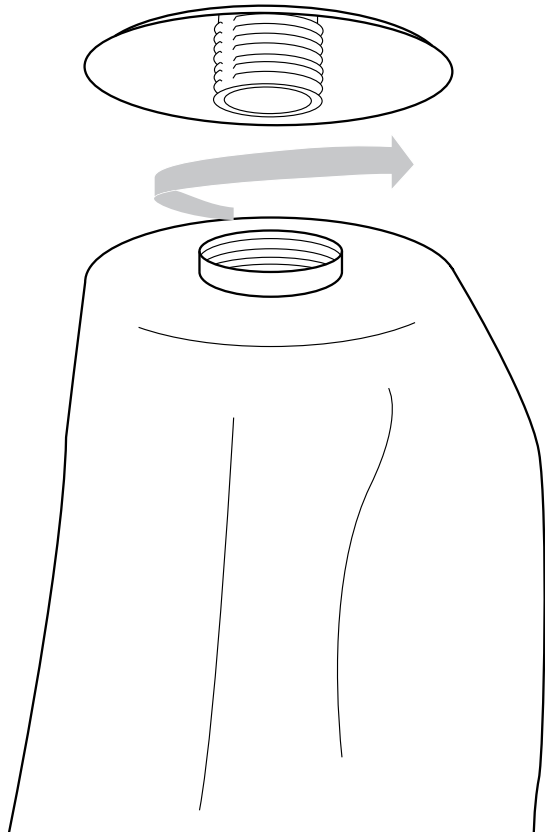
step 2



1. With the tilt button still pressed, push the top of the umbrella to either side until it locks into place

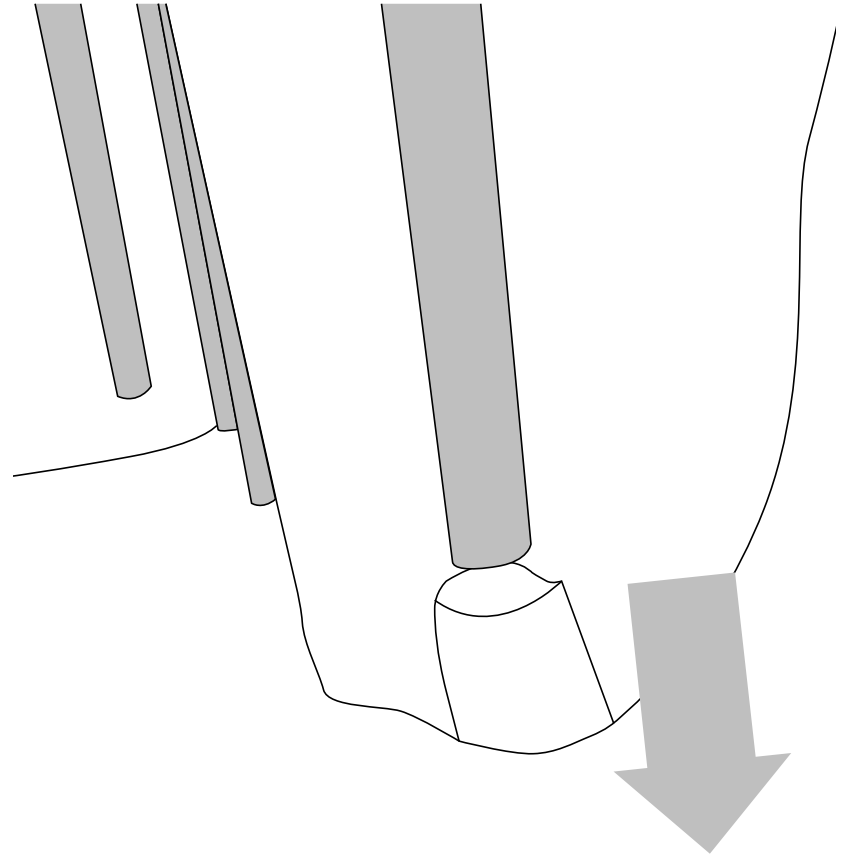
Replacing Canopy

step 1



1. Unscrew the finial at the top of the umbrella

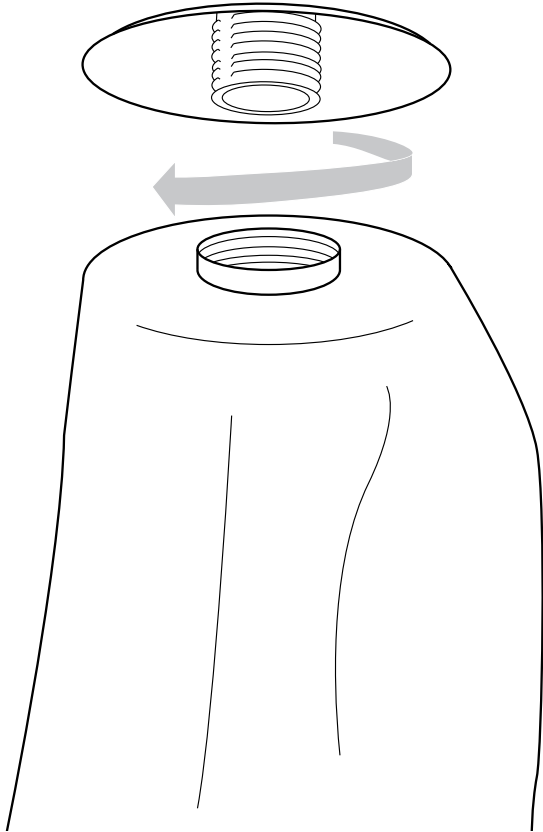
step 2



1. Pull the canopy pockets off the frame one rib at a time
2. Remove canopy completely

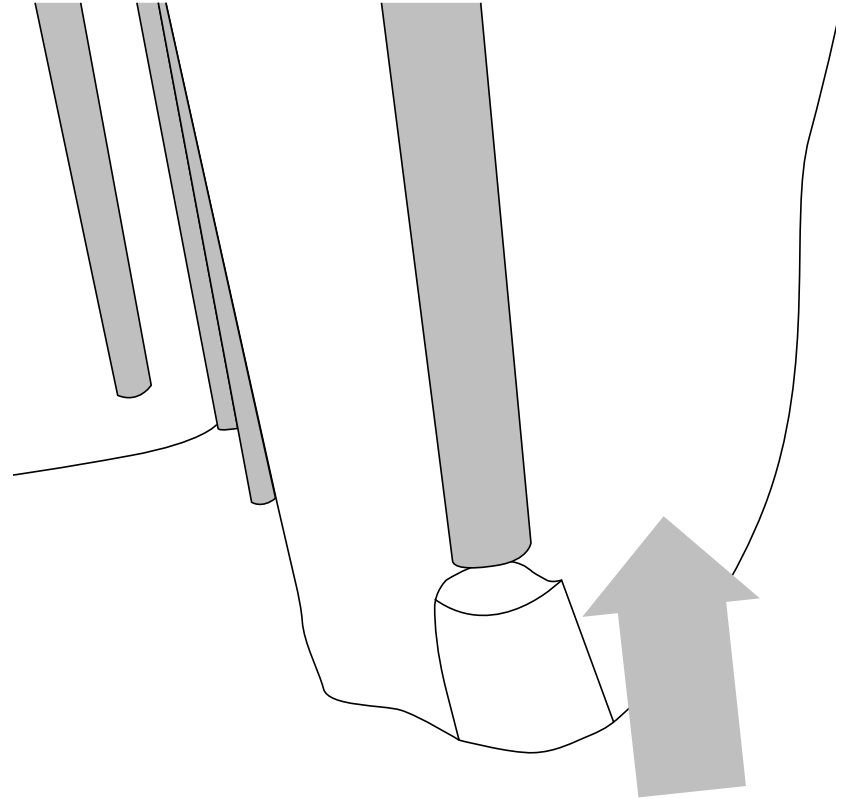
Replacing Canopy

step 3



1. Drape the new canopy over the frame
2. With canopy in place, screw finial back on

step 4



1. Put the frame ribs back into the umbrella pockets. Take care to not skip any pockets.

Cleaning & Storage

cleaning

Spot clean with mild soap and water.

Allow to air dry.

Never use bleach or harsh cleaners.

storage

Umbrella MUST be used with appropriate base and/or table. See Page 3.

Do not leave open umbrella unattended.

Store when not in use or during inclement weather.

Not recommended for windy conditions.

Questions & Warranty

If you have any additional questions or would like to make a warranty claim,
contact our customer service department listed below.

Customer Service:

cs@plantationpatterns.com

1-888-571-4388

9am-5pm ET Mon-Fri

Thank you!