

Induction Ranges

Use and Care Manual

HII8055U, HII8055C













BOSCH

Invented for life



Table of Contents

Safety Definitions	4	Bake 	35
IMPORTANT SAFETY INSTRUCTIONS	5	Auto Convection Conversion	35
Proper Installation and Maintenance	5	Convection Bake 	36
Fire Safety	6	Convection Multi-Rack 	36
Burn Prevention	6	Pizza 	36
Electromagnetic Interference	7	Roast 	37
Child Safety	7	Convection Roast 	37
Cleaning Safety	7	Broil 	37
Cookware Safety	7	Convection Broil 	38
State of California Proposition 65 Warnings	8	Proof 	38
Food Safety	8	Warm 	38
Causes of Damage	9	Cleaning and Maintenance-Oven	39
Protecting the Environment	10	Cleaning the Oven	39
Saving Energy	10	Maintenance	41
Getting Started	11	Operation-Warming Drawer	44
Parts	11	About the Warming Drawer	44
Accessories	12	Warming Drawer Specifications	44
Getting familiar with the appliance	14	Operation	44
Control panel	14	Getting the Most Out of Your Warming Drawer	45
The elements	15	About the Appliance	45
Residual heat indicator	15	General Tips	45
Operation	15	Use of Your Appliance	45
Main power switch	15	Preheating	45
Setting the cooktop	15	Warming Empty Serving Bowls and Plates	45
Cook time	17	Crisping Stale Items	45
Kitchen timer	18	Temperature Recommendations	46
SpeedBoost® function	18	Cleaning and Maintenance-Warming Drawer	46
AutoChef®	18	Cleaning the Warming Drawer	46
Panel lock	21	Removing Drawer from Housing	47
Wipe Protection	21	Installing Drawer to Housing	47
Automatic time limitation	21	Service	50
Basic settings	21	Frequently-asked questions and answers (FAQ)	50
Cooking with Induction	23	Fixing Malfunctions	51
Advantages of induction cooking	23	Oven Troubleshooting	53
Cookware	23	How to Obtain Service or Parts	54
Cleaning and Maintenance-Cooktop	24	STATEMENT OF LIMITED PRODUCT WARRANTY ...	54
Daily Cleaning	24	What this Warranty Covers & Who it Applies to	54
Cleaning guidelines	25	How Long the Warranty Lasts	54
Cleaning charts	25	Repair/Replace as Your Exclusive Remedy	55
Maintenance	26	Out of Warranty Product	55
Operation-Oven	26	Warranty Exclusions	55
Oven Control Panel	26	Cooking Charts	56
About the Oven	27	Baked Goods/Entrees	56
Basic Features	28	Meats	57
Special Features	30		
Settings Menu Options	33		
Getting the Most Out of Your Appliance	34		
General Tips	34		

This Bosch Appliance is made by
BSH Home Appliances Corporation
1901 Main Street, Suite 600
Irvine, CA 92614

Questions?

1-800-944-2904

www.bosch-home.com/us

We look forward to hearing from you!

Safety Definitions

▲ WARNING

This indicates that death or serious injuries may occur as a result of non-observance of this warning.

▲ CAUTION

This indicates that minor or moderate injuries may occur as a result of non-observance of this warning.

NOTICE: This indicates that damage to the appliance or property may occur as a result of non-compliance with this advisory.

Note: This alerts you to important information and/or tips.

IMPORTANT SAFETY INSTRUCTIONS

READ AND SAVE THESE INSTRUCTIONS

WARNING

When properly cared for, your new appliance has been designed to be safe and reliable. Read all instructions carefully before use. These precautions will reduce the risk of burns, electric shock, fire, and injury to persons. When using kitchen appliances, basic safety precautions must be followed, including those in the following pages.

This appliance is intended for use at an elevation of no more than 2000 meters above sea level.

Proper Installation and Maintenance

WARNING

TIP OVER HAZARD

A child or adult can tip the range over and be killed. Verify that the anti-tip bracket is engaged whenever the range is moved to a new location.



Do not operate the range without the anti-tip bracket in place. Failure to follow the instructions in this manual can result in death or serious burns to children and adults.

Check for proper installation and use of the anti-tip bracket. Carefully tip the range forward pulling from the back to ensure that the anti-tip bracket engages the range leg and prevents tip-over. The range should not move more than 1" (2.5cm).

Have the installer show you the location of the circuit breaker or fuse. Mark it for easy reference.

This appliance must be properly installed and grounded by a qualified technician. Connect only to properly grounded outlet. Refer to Installation Instructions for details.

This appliance is intended for normal family household use only. It is not approved for outdoor use. See the Statement of Limited Product Warranty. If you have any questions, contact the manufacturer.

Do not store or use corrosive chemicals, vapors, flammables or nonfood products in or near this appliance. It is specifically designed for use when heating or cooking food. The use of corrosive chemicals in heating or cleaning will damage the appliance and could result in injury.

Do not operate this appliance if it is not working properly, or if it has been damaged. Contact an authorized servicer.

Do not obstruct oven vents.

Do not repair or replace any part of the appliance unless specifically recommended in this manual. Refer all servicing to an authorized servicer.

In the event of an error the display flashes and beeps continuously. Disconnect appliance from the power supply and call an authorized servicer.

WARNING

When removing the door make sure oven is cool and power to the oven has been turned off before removing the door. Failure to do so could result in burns.

The oven door is heavy and fragile. Use both hands to remove the oven door. The door front is glass. Handle carefully to avoid breaking.

Grasp only the sides of the oven door. Do not grasp the handle as it may swing in your hand and cause injury or damage.

Failure to grasp the oven door firmly and properly could result in personal injury or product damage.

Lay the door on a flat smooth surface so that the door cannot fall over. Failure to do so may result in personal injury or damage to the appliance.

WARNING

To avoid injury from hinge bracket snapping closed, be sure that both levers are securely in place before removing door. Also, do not force door open or closed - the hinge could be damaged and injury could result.

WARNING

Make sure the appliance and lights are cool and power to the appliance has been turned off before replacing the light bulb(s). Failure to do so could result in electrical shock or burns. The lenses (if equipped) must be in place when using the appliance. The lenses (if equipped) serve to protect the light bulb from breaking. The lenses (if equipped) are made of glass. Handle carefully to avoid breaking. Broken glass can cause an injury.

WARNING

Light socket is live when door is open if main power supply is not turned off.

IMPORTANT SAFETY INSTRUCTIONS

READ AND SAVE THESE INSTRUCTIONS

Fire Safety

WARNING

NEVER cover any slots, holes or passages in the oven bottom or cover an entire rack with materials such as aluminum foil. Doing so blocks air flow through the oven. Aluminum foil linings may also trap heat, causing a fire hazard.

If materials inside an oven or warming drawer should ignite, keep door closed. Turn off the appliance and disconnect the circuit at the circuit breaker box.

WARNING

Use this appliance only for its intended use as described in this manual. NEVER use this appliance as a space heater to heat or warm the room. Doing so may result in overheating the appliance. Never use the appliance for storage.

Always have a working smoke detector near the kitchen. In the event that personal clothing or hair catches fire, drop and roll immediately to extinguish flames.

Have an appropriate fire extinguisher available, nearby, highly visible and easily accessible near the appliance.

Smother flames from food fires other than grease fires with baking soda. Never use water on cooking fires.

WARNING

TO REDUCE THE RISK OF INJURY TO PERSONS IN THE EVENT OF A GREASE FIRE, OBSERVE THE FOLLOWING:

- a. SMOTHER FLAMES with a close-fitting lid, cookie sheet, or metal tray, then turn off the burner. BE CAREFUL TO PREVENT BURNS. If the flames do not go out immediately, EVACUATE AND CALL THE FIRE DEPARTMENT.
- b. NEVER PICK UP A FLAMING PAN – You may be burned.
- c. DO NOT USE WATER, including wet dishcloths or towels – a violent steam explosion will result.
- d. Use an extinguisher ONLY if:
 - You know you have a Class ABC extinguisher, and you already know how to operate it.
 - The fire is small and contained in the area where it started.
 - The fire department is being called.
 - You can fight the fire with your back to an exit.

Burn Prevention

DO NOT TOUCH HEATING ELEMENTS OR INTERIOR SURFACES OF OVEN - Heating elements may be hot even though they are dark in color. Interior surfaces of an oven become hot enough to cause burns. During and after use, do not touch, or let clothing, potholders, or other flammable materials contact heating elements or interior surfaces of oven until they have had sufficient time to cool. Other surfaces of the appliance may become hot enough to cause burns. Among these surfaces are oven vent openings, surfaces near these openings and oven doors.

Do not touch interior surface of the drawer while it is in use. The interior drawer could become hot enough to cause burns. Allow drawer and rack (if equipped) to cool before handling.

Exercise caution when opening the appliance. Standing to the side, open the door (or drawer) slowly and slightly to let hot air and/or steam escape. Keep your face clear of the opening and make sure there are no children or pets near the unit. After the release of hot air and/or steam, proceed with your cooking. Keep doors shut unless necessary for cooking or cleaning purposes. Do not leave open doors unattended.

Do not heat or warm unopened food containers. Build-up of pressure may cause the container to burst and cause injury.

Use high heat settings on the cooktop only when necessary. To avoid bubbling and splattering, heat oil slowly on no more than a low-medium setting. Hot oil is capable of causing extreme burns and injury.

Use caution when cooking foods with high alcohol content (e.g. rum, brandy, bourbon) in the oven. Alcohol evaporates at high temperatures. There is a risk of burning as the alcohol vapors may catch fire in the oven. Use only small quantities of alcohol in foods, and open the oven door carefully.

Always place oven racks in desired location while oven is cool. Always use oven mitts, when the oven is warm. If a rack must be moved while oven is hot, do not let potholder contact the heating elements.

Never move a pan of hot oil, especially a deep fat fryer. Wait until it is cool.

CAUTION

To avoid possible injury or damage to the appliance, ensure rack is installed exactly per installation instructions and not backwards or upside down.

Always use dry potholders. Moist or damp potholders on hot surfaces may result in burns from steam. Do not let potholder touch hot heating elements. Do not use a towel or other bulky cloth.

Secure all loose garments, etc. before beginning. Tie long hair so that it does not hang loose, and do not wear loose fitting clothing or hanging garments, such as ties, scarves, jewelry, or dangling sleeves.

IMPORTANT SAFETY INSTRUCTIONS

READ AND SAVE THESE INSTRUCTIONS

Avoid reaching or leaning over the appliance. Be aware that certain clothing and hair sprays may contain flammable chemicals that could be ignited if brought in to contact with hot surface units or heating elements and may cause severe burns.

Electromagnetic Interference

WARNING

This induction cooktop generates and uses ISM frequency energy that heats cookware by using an electromagnetic field. It has been tested and complies with Part 18 of the FCC Rules for ISM equipment. This induction cooktop meets the FCC requirements to minimize interference with other devices in residential installation. Induction cooktops may cause interference with television or radio reception. If interference occurs, the user should try to correct the interference by:

- Relocating the receiving antenna of the radio or television.
- Increasing the distance between the cooktop and the receiver.
- Connecting the receiver into an outlet different than the receiver.

It is the user's responsibility to correct any interference.

CAUTION

Persons with a pacemaker or similar medical device should exercise caution when standing near an induction cooktop while it is in use. Consult your doctor or the manufacturer of the pacemaker or similar medical device for additional information about its effects with electromagnetic fields from an induction cooktop.

WARNING

HAZARD DUE TO MAGNETISM

The probe is magnetic. The magnetic elements can damage electronic implants such as pacemakers or insulin pumps. People with electronic implants should therefore not put the temperature sensor in the pockets of their clothes and should maintain a minimum distance of 4 inches (10 cm) with respect to their pacemaker or similar medical device.

Child Safety

When children become old enough to use the appliance, it is the responsibility of the parents or legal guardians to ensure that they are instructed in safe practices by qualified persons.

Do not allow anyone to climb, stand, lean, sit, or hang on any part of an appliance, especially a door, warming drawer, or storage drawer. This can damage the appliance, and the unit may tip over, potentially causing severe injury.

Do not allow children to use this appliance unless closely supervised by an adult. Children and pets should not be left alone or unattended in the area where the appliance is in use. They should never be allowed to play in its vicinity, whether or not the appliance is in use.


CAUTION

Items of interest to children should not be stored in an appliance, in cabinets above an appliance or on the backsplash. Children climbing on an appliance to reach items could be seriously injured.

Cleaning Safety

WARNING

RISK OF BURNS

 The appliance will become very hot on the outside during the cleaning function. Never touch the appliance door. Allow the appliance to cool down. Keep children away from the appliance.

Notes

- Do not clean the appliance while it is still hot. Some cleaners produce noxious fumes when applied to a hot surface. Wet cloths or sponges can cause burns from steam.
- When self-cleaning, confirm that the door locks and will not open. If the door does not lock, do not run Self Clean. Contact service.
- Birds have very sensitive respiratory systems. Keep pet birds out of the kitchen or other rooms where kitchen fumes could reach them. During Self Clean, fumes are released that may be harmful to birds. Other kitchen fumes such as overheating margarines and cooking oils may also be harmful.
- Keep oven free from grease build up.

Cookware Safety

Notes

- Do not place food directly on oven bottom.
- Follow the manufacturer's directions when using cooking or roasting bags.
- Hold the handle of the pan when stirring or turning food. This helps prevent spills and movement of the pan.
- Use proper pan size.
The use of undersized cookware will expose a portion of the heating element or burner to direct contact and may result in ignition of clothing. Select cookware having flat bottoms large enough to cover the surface heating unit. This appliance is equipped with one or more surface units of different size. Proper relationship of cookware to heating element or burner will also improve efficiency.

IMPORTANT SAFETY INSTRUCTIONS

READ AND SAVE THESE INSTRUCTIONS

- Cookware not approved for use with ceramic cooktops may break with sudden temperature changes. Use only pans that are appropriate for ceramic cooktops. See *Cookware Selection Guide*.
- Always position handles of utensils inward so they do not extend over adjacent work areas, burners or the edge of the cooktop. This reduces the risk of fires, spills and burns.

CAUTION

Plastic containers or plastic wrap can melt if in direct contact with the drawer or hot utensil. If it melts on to the drawer, it may not be removable.

WARNING

RISK OF INJURY

When cooking with a bain-marie, the cooktop and cooking vessel may crack due to overheating. The cooking vessel in the bain-marie must not come in direct contact with the bottom of the pot filled with water. Use only heat-resistant cookware.

WARNING

DANGER OF INJURY

Cookware may spring or bounce upward due to fluid trapped between the cookware bottom and cooking zone. Always keep cooking zone and cookware bottom dry.

State of California Proposition 65 Warnings

WARNING

This product contains chemicals known to the State of California to cause cancer, birth defects or other reproductive harm.

Note: IMPORTANT SAFETY NOTICE: The California Safe Drinking and Toxic Enforcement Act requires the Governor of California to publish a list of substance known to the state to cause cancer, birth defect or other reproductive harm, and requires businesses to warn customers of potential exposure to such substances. The burning of gas cooking fuel and the elimination of soil during self-cleaning can generate small amounts of carbon monoxide. The fiberglass insulation in Self Clean ovens gives off very small amounts of formaldehyde during the first several cleaning cycles. California lists formaldehyde as a potential cause of cancer. Carbon monoxide is a potential cause of reproductive toxicity. Exposure to these substances can be minimized by:

1. Providing good ventilation when cooking with gas.
2. Providing good ventilation during and immediately after self-cleaning the oven.
3. Operating the unit according to the instructions in this manual.

Food Safety

CAUTION

To maintain food safety, follow these guidelines:

- a. DO NOT use a warming drawer to heat cold food. It is safe to use the drawer to crisp crackers, chips or dry cereal and to warm plates.
 - b. Be sure to maintain proper food temperature. The USDA recommends holding hot food at 140°F or warmer.
 - c. DO NOT warm food for longer than one hour.
-

Causes of Damage

▲ WARNING

RISK OF INJURY

Exercise caution when opening the appliance. Standing to the side, open the door (or drawer) slowly and slightly to let hot air and/or steam escape. Keep your face clear of the opening and make sure there are no children or pets near the unit. After the release of hot air and/or steam, proceed with your cooking. Keep doors shut unless necessary for cooking or cleaning purposes. Do not leave open doors unattended.

NOTICES

- DO NOT place accessories or items such as foil, greaseproof paper, oven liners or bakeware on the oven cavity floor. This will cause heat to accumulate. The baking and roasting times will no longer be correct and the enamel will be damaged.
 - Aluminum foil in the cooking compartment must not come into contact with the door glass. This could cause permanent discoloration of the door glass.
 - Aluminum foil and plastic will melt in hot cooking areas. Stove protective film is not suitable for your cooktop.
 - Do not cook on a broken cooktop. Cleaning solutions and spillovers may create risk of electric shock.
 - Cookware with rough bottoms will scratch the glass ceramic surface.
 - Salt, sugar and grains of sand will scratch the glass ceramic surface. Never use the cooktop as a working surface or for setting things down.
 - Avoid heating pots or pans that are empty.
 - Hard or sharp objects falling off the cooktop may damage it.
 - Sugar and products containing sugar may damage the cooktop. Immediately eliminate spills of these products with a glass scraper once the cooktop has had sufficient time to cool.
 - Never set down hot pans and pots on the control panel or frame. This may cause damage.
 - Always turn hood ON when cooking at high heat or when flambéing food (i.e. Crepe Suzette, Cherries Jubilee, Peppercorn Beef Flambé).
 - When baking particularly juicy fruit pies, do not pack the baking tray too generously. Fruit juice dripping from the baking tray leaves stains that cannot be removed. If possible, use the deeper universal pan.
 - If the seal is very dirty, the appliance door will no longer close properly during operation. The fronts of adjacent units could be damaged. Always keep the seal clean.
- Shimmering metallic discolorations on the glass ceramic surface result from the use of inappropriate cleaning agents and abrasion from cookware.
 - Do not use the appliance door as a seat, shelf or worktop. Do not place any cookware or accessories on the appliance door.
 - Depending on the appliance type, accessories can scratch the door glass when closing the door. Always slide accessories into the cooking compartment as far as they will go.
 - Do not carry or hold the appliance by the door handle. The door handle cannot support the weight of the appliance and could break.

Protecting the Environment

Your new appliance is energy-efficient. Here you can find tips on how to save even more energy when using the appliance, and how to dispose of your appliance properly.

Unpack the appliance and dispose of the packaging in an environmentally friendly manner.

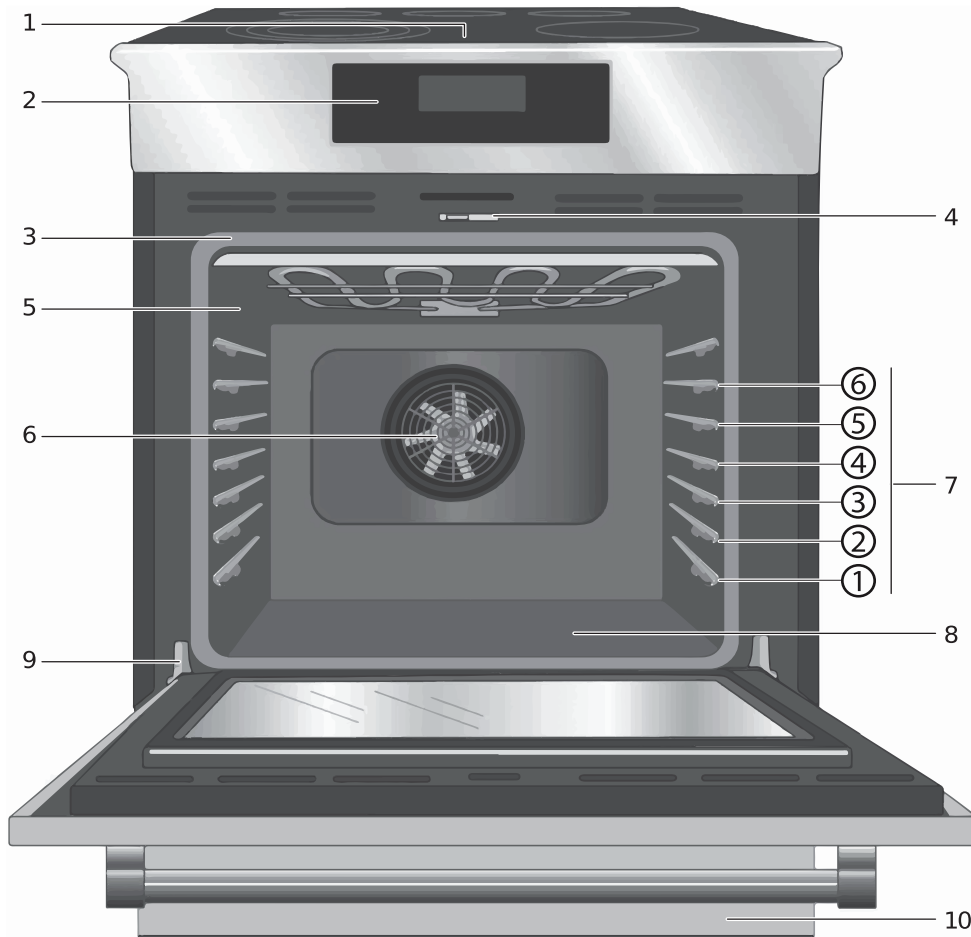
Saving Energy

- Only preheat the appliance if this is specified in the recipe or in the tables in the operating instructions.
 - Use baking tins that are dark-colored, painted black or have an enamel coating. They absorb the heat particularly well.
 - Open the appliance door as infrequently as possible when the appliance is in use.
 - It is best to bake several cakes one after the other. The cooking compartment is still warm. This reduces the baking time for the second cake. You can place two cake tins next to each other in the cooking compartment.
 - For longer cooking times, you can switch the appliance off 10 minutes before the end of the cooking time and use the residual heat to finish cooking.
 - Always place a fitting lid on cookware. Cooking with an uncovered pan will result in a four-fold increase in energy use. Use a glass lid to provide visibility and avoid having to lift the lid.
 - Use cookware equipped with a solid, flat bottom. Curved pan bases increase energy consumption.
 - The diameter of the pan base must match the size of the element. If not, energy may be wasted.
Note: The manufacturer normally indicates the pan's upper diameter. This is normally greater than the diameter of the pan's base.
 - Choose cookware of a size suited to the amount of food you are going to cook. A large pan that is only half full will use more energy.
 - Use a small amount of water when cooking. This saves energy and vegetables retain a larger percentage of their vitamins and minerals.
 - Select a lower power level.
 - When cooking, ensure that there is sufficient supply air so that the extractor hood works efficiently and quietly.
 - Fan level adjust to the intensity of the cooking fumes. Only use the high mode if necessary. A lower fan level means lower energy consumption.
 - With intensive cooking fumes, select a higher fan level early on. Cooking fumes that are already distributed in the kitchen mean that the extractor hood will have to be operated longer.
 - Switch off the extractor hood when it is no longer required.
 - Switch off the lighting when it is no longer required.
- Clean and change the filter at the specified intervals in order to increase the effectiveness of the ventilation and prevent a risk of fire.

Getting Started

Parts

Your appliance may vary slightly.



1	Cooktop Control Panel
2	Oven Control Panel
3	Door Gasket
4	Door Latch
5	Probe Jack
6	Convection Fan
7	Rack Position Guides with 6 rack positions
8	Oven Bottom
9	Door Hinge
10	Warming Drawer

Range Features

Retained Heat

The glass cooking surface retains heat and stays hot after the element(s) have been turned off. The retained heat may be used to hold foods at serving temperatures for a short time. If a hot surface light is on, use caution when working or cleaning around the cooktop as the cooktop is still hot.

Hot Surface Indicator

The cooktop displays a hot indicator light to show when the cooking surface is too hot to touch. If a hot surface light is on, use caution when working or cleaning around the cooktop as the cooktop is still hot.

Oven Features

Cooling Fan

The cooling fan runs during all cooking modes. The fan can be heard when it is running, and warm air may be felt as it is released from the oven vent. The fan may also run after the oven is off.

Convection Fan

The convection fan operates during all convection modes. When the oven is operating in a convection mode, the fan turns off automatically when the door is opened. The convection fan may also run during Fast Preheat and Self-Clean.

Oven Bottom

The oven bottom conceals the lower heating element. As a result the element is protected from damage and spills.

Tip: Do not place food directly on the oven bottom.

⚠ WARNING

Do not use aluminum foil or protective liners to line any part of the appliance, especially the oven bottom. Installation of these liners may result in a risk of electric shock or fire.

Oven Vent

The oven vent is located at the bottom of the unit. Warm air may be released from the vent before, during and after cooking. It is normal to see steam escaping from the vent, and condensation may collect in this area. This area may be warm when the oven is in use. Do not block the vent, since it is important for air circulation.

Automatic Shutoff

The oven will automatically shut off after 24 hours.

Self-cleaning

The oven features a self-cleaning function that eliminates the manual labor involved with cleaning your oven.

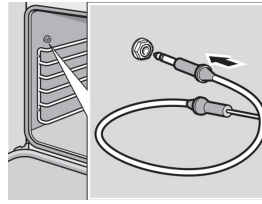
Indicators and Other Features

Default Settings-The cooking modes automatically select the default temperature. These can be changed when a different one is needed.

E Number Codes-These codes display when there is a problem with the range.

Standby Mode-Standby mode means that the oven has power but no cooking mode or timer is running.

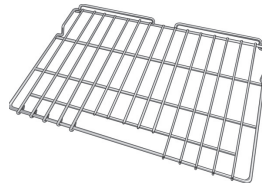
Accessories



Probe

The probe can be used to determine the internal doneness or the end temperature of many foods, especially meats and poultry.

Do not clean in the Self Clean oven or dishwasher.



Flat Rack

Use for most cooking. Can use multiple racks in some modes.

Do not clean in the self-clean oven.



Telescopic Rack (some models)

Additional 30-inch racks available from e-Shop: #HEZTR301

Use with heavier dishes to make easier to place dishes into the oven. Check on food while cooking and remove dishes from oven when done.

Do not clean in the self-clean oven.



Broiling Pan (available from e-Shop)
Pan: #00449757
Grill top: #00449756

Use for broiling and roasting.

Do not clean in the self-clean oven.

Inserting Racks

⚠ CAUTION

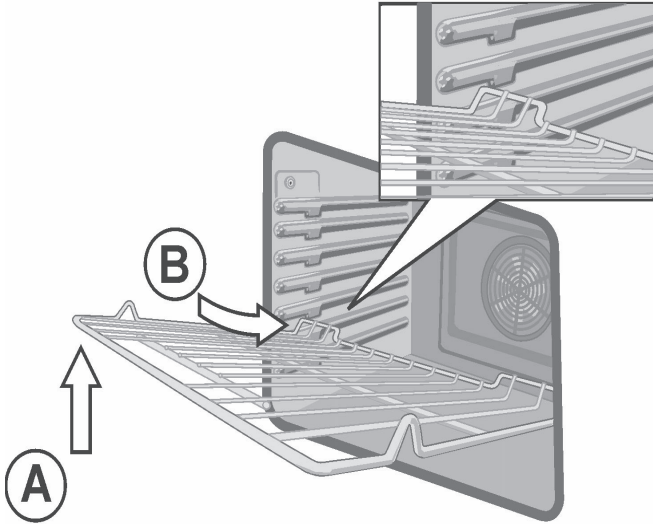
- To avoid burns, place oven racks in desired positions before turning oven on. Always use oven mitts when the oven is warm. If a rack must be moved while the oven is hot, do not let oven mitts contact hot heating elements.
 - Use caution when removing oven racks from the lowest rack position to avoid contact with the hot oven door.
 - To avoid possible injury or damage to the appliance, ensure racks are installed exactly per installation instructions and not backwards or upside down.
-

Flat Rack

The rack is designed with a stop so it will stop before coming completely out of the oven and not tilt.

To insert Flat Rack into Oven:

1. Grasp rack firmly on both sides.
2. Insert rack (see picture).



3. Tilt rack up to allow stop into rack guide.
4. Bring rack to a horizontal position and push the rest of the way in.
Rack should be straight and flat, not crooked.

To remove Flat Rack from Oven:

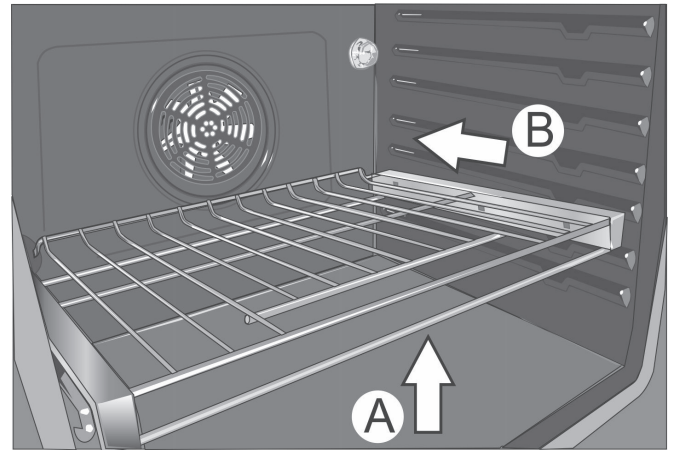
1. Grasp rack firmly on both sides and pull rack toward you.
2. When the stop is reached, tilt rack up and pull the rest of the way out.

Telescopic Rack

To insert Telescopic Rack into Oven:

1. Slide the rack in evenly until the rear of the rack is about two (2) inches from the back of the oven.
2. Tilt the front of the rack up about 3/4" (A) and finish pushing the rack all the way back (B).

Note: Avoid striking the oven light cover glass when pushing the rack into position.



3. The back of the telescopic rack drops in to place.
4. Pull the rack forward to engage the bottom of the rack onto the rear of the rack position guide.
5. Lower the front of the rack to finish seating it on the rack guide. The rack should feel stable when properly seated.
6. Slide the movable part of the telescopic rack in and out a few times to make sure it is able to move freely and that the non-moving part of the telescopic rack is securely anchored.

⚠ CAUTION

To avoid possible injury or damage to the appliance, ensure the telescopic rack is installed exactly per installation instructions and not backwards or upside down.

To Remove Telescopic Rack from the Oven:

1. Lift the front of the telescopic rack assembly about 1/2" and push the rack to the rear about 3/4". This allows the rack to disengage from the rack position guide.
2. Lift the rear of the telescopic rack assembly so it clears the rack position guide and gently pull the rack from the oven.

Note: Take care to avoid pulling the rack unevenly which will cause it to bind during removal, catching on the oven walls.

Before Using the Appliance for the First Time

- Remove all packaging materials and labels from the range.
- Range must be properly installed by a qualified technician before use.
- Remove packing materials from inside the oven and inside the drawer.
- While cool, wipe with clean, damp sponge and dry.

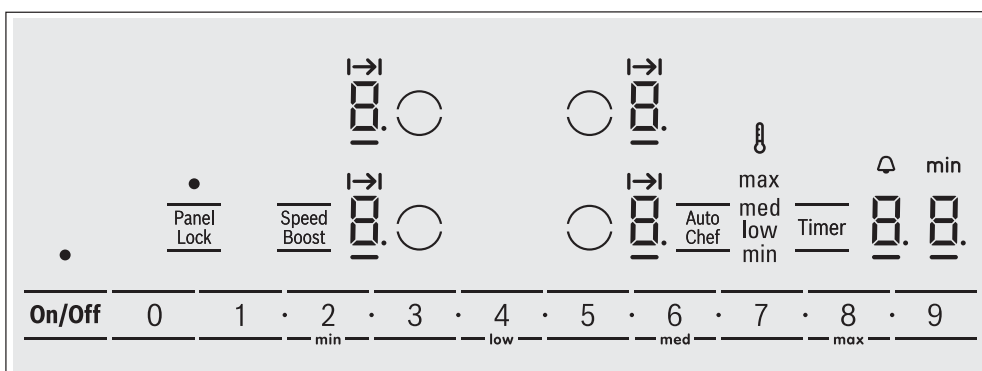
- Apply the glass ceramic cooktop cleaner to the glass ceramic cooktop. Buff with a clean cloth. See *Care and Cleaning* Section.
- There may be a slight odor during first uses. This is normal and will disappear.
- Optimum cooking results depend on proper cookware and bakeware being used.
- The cooking surface will hold the heat and remain hot after the elements have been turned off.
- Read and understand all safety precautions and Use and Care Manual information prior to operating.

Getting familiar with the appliance

In this section we describe the control panel, elements and displays.

These instructions apply to more than one cooktop, your appliance might vary slightly.

Control panel



Touch keys	
On/Off	Main switch
○	Select cooking element
0 1 • 2 • ... 8 • 9	Settings area
Panel Lock	Child safety panel lock / Wipe protection
Speed Boost	SpeedBoost® function
Auto Chef	AutoChef® frying function
Timer	Timer functions
min / low / med / max	Select power level for AutoChef®

Display icons	
□	Cooktop ready
●	Indicated function active
I→I	Cook time set
—	Indicates selected element
00	Timer value
1-9	Power level
H/h	Residual heat
b	SpeedBoost® function
A	AutoChef® function

Display icons	
min	Time display
⌋	AutoChef® temperature
max, med, low, min	Temperature settings
⌋ min	Timer function

Touch control zone

When you touch a symbol, the corresponding function will be activated.

Notes

- When you touch several symbols at once the settings will not change. This enables you to clean the touch control zone when food has spilled over.
- Always keep the touch control zone clean and dry. Moisture and dirt can affect proper functioning.

The elements

Element	
○ Single element	Always use cookware of a suitable size.
Use only cookware suitable for induction cooking; see the section “Cooking with Induction”	

Residual heat indicator

The cooktop has a residual heat indicator for each element. This indicates that the cooktop surface is still hot. Do not touch the cooktop surface while the residual heat indicator is illuminated.

The following are shown depending on the amount of residual heat:

- Display **H**: High temperature

- Display **h**: Low temperature

If you remove the cookware from the element during cooking, the residual heat indicator and the selected heat setting will flash alternately.


When the element is switched off, the residual heat indicator will light up. Even after the cooktop has been switched off, the residual heat indicator will remain illuminated for as long as the element is still warm.

Operation


Main power switch

Use the main switch to turn on the electronic circuitry for the control panel. The cooktop is now ready to use.

Turning the cooktop on

Touch the **On/Off** touch key until the indicator above the main switch and the temperature level indicators  next to the heating elements turn on.

Turning the cooktop off

Touch the **On/Off** touch key. The  indicator goes out. The cooktop is switched off. The residual heat indicators will remain on until the elements have cooled off sufficiently.

Note: The cooktop switches off automatically when all the elements have been switched off for more than 20 seconds.

The residual heat indicator remains lit until the elements have cooled down sufficiently. **H/h** is displayed next to the corresponding element symbol.

Setting the cooktop

This section will show you how to set the elements. The table contains details on the heat settings for a variety of dishes.

Setting the element

Select the desired heat level using the number keys 1 to 9.




Heat level 1 = minimum power

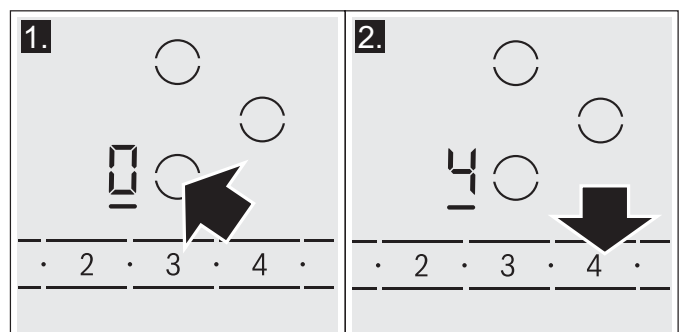
Heat level 9 = maximum power

Each heat setting has an intermediate level. This level is indicated by **•** in the element display and is set by touching the **•** symbols between the number keys.

Selecting the heat level

The cooktop must be turned on.

1. Select the desired element with by touching the  symbol on the control panel. In the element display  and the  indicator light up.
2. Within the following 10 seconds, set the desired power level using the number keys.



3. To change the power level, select the element and set the desired power level using the number keys. To set an intermediate level touch the **•** symbols between the number keys.

Turning off the element

Select the element and set the heat level to 0. The element is turned off and the residual heat indicator is displayed.

Notes

- If there is no cookware on the induction cooking zone, the heat setting display blinks. After a while, the cooking zone will switch itself off.
- If cookware has been placed on the cooking zone before you turn on the cooktop, it will be detected within 20 seconds after you have touched the main switch and the cooking zone will be selected automatically. Once detected, set the power level

within the next 20 seconds, otherwise the cooking zone will turn off.

Even if there are several pots and pans on the cooktop when it is switched on, only one piece of cookware is automatically selected.

Recommendations

- When heating up puree, cream soups and thick sauces, stir occasionally.
- Set heat setting 8 to 9 for preheating.
- When cooking with the lid on, turn the heat setting down as soon as steam escapes between the lid and the cookware.

- After cooking, keep the lid on the cookware until you serve the food.
- To cook with the pressure cooker, observe the manufacturer's instructions.
- Do not cook food for too long, otherwise the nutrients will be lost. The kitchen timer can be used to set the optimum cooking time.
- For healthier cooking results, oil or grease should not be heated until it smokes.
- To brown food, fry small portions in succession.
- Cookware may reach high temperatures while the food is cooking. We recommend that you use pot holders.
- You can find recommendations for energy-efficient cooking in section "Protecting the Environment".

Settings table

The following table provides some examples. Cooking times may vary depending on the type of food, its weight and quality. Deviations are therefore possible.

▲ CAUTION

During cooking, stews or liquid meals such as soups, sauces or drinks can heat up too quickly unnoticed and overflow or spatter. For this reason we recommend that you stir continuously, gradually heating the food at a suitable power level.

	Power levels
Melting	
chocolate	1.
butter	1 - 2
Heating	
frozen vegetables (e.g. spinach)	2. - 3.
broth	7 - 8
thick soup	1. - 2.
milk**	1 - 2
Simmering	
delicate sauce e.g. Béchamel sauce	4 - 5
spaghetti sauce	2 - 3
pot roast	4 - 5
fish**	4 - 5
Cooking	
rice (with double amount of water)	2 - 3
potatoes boiled in their skins with 1-2 cups of water	4 - 5
boiled potatoes with 1-2 cups of water	4 - 5
fresh vegetables with 1-2 cups of water	2 - 3.
frozen vegetables with 1-2 cups of water	3. - 4.
pasta (2-4 qt. water)*	6 - 7
pudding**	1 - 2
cereals	2 - 3

	Power levels
Frying	
pork chop	5 - 6.
chicken breast	5 - 6
bacon	6 - 7
eggs	5 - 6
fish	5 - 6
pancakes	6 - 7
Deep fat frying** (in 1-2 qt. oil)	
deep frozen foods, e.g. chicken nuggets (0.5 lb per serving)	8 - 9
other e.g. doughnuts (0.5 lb per serving)	4. - 5.
Keep warm	
tomato sauce	1.

* ongoing cooking without lid

** without lid

Cook time

You can use the timer function to set a cook time for any element. The element will turn off automatically once the set time has elapsed.

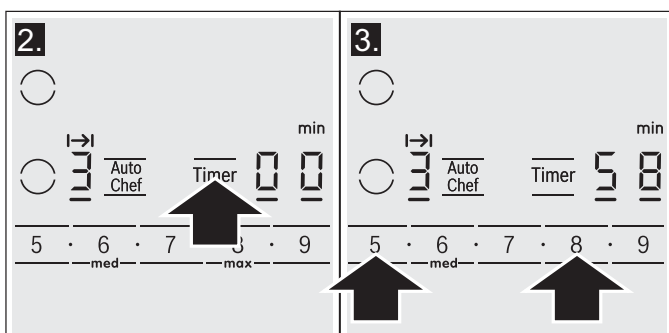
⚠ CAUTION

- When using the timer, always keep an eye on the cooktop and do not allow anything to boil over or burn. Boilovers can cause smoke and foods and oils may catch on fire if left on high temperature settings.
- This function should not be used for long periods of time, especially at high heat settings.
- Make sure the cooktop is turned off with the main power switch after each use.

Setting a cook time

The cooktop must be turned on.

1. Select the desired element and power level.
2. Touch the **Timer** key. The I→I indicator lights up in the element display and 00 is shown in the timer display.
3. Within 10 seconds enter the desired cook time using the number keys.



After a few seconds the timer will start to count down.

AutoChef®

If a cooking time has been programmed for an element and AutoChef® has been activated, the cooking time will not begin to count down until the selected temperature setting has been reached.

Changing or canceling cook time

1. Select the desired element and touch the **Timer** key.
2. Adjust the cook time using the number keys. To cancel cook time set the timer to 00.

Once the cook time has elapsed

The element turns off once the set cook time has elapsed. You will hear a beep. The indicator appears in the element display and the timer display shows 00 for 10 seconds. The I→I indicator in the element display stays on.

Touch the **Timer** key, to turn the indicators and the beep off.

Notes

- To set a cooking time of under 10 minutes, always touch 0 before you select the required value.
- If a cooking time was set for several elements, the time information for the selected element is shown in the timer display.
- Select the relevant element to call up the remaining cooking time.
- You can set a cooking time of up to 99 minutes.

Automatic timer

With this function you may select a cook time for all elements. Once an element is turned on, the selected time will begin to count down. The element will automatically turn off when the cook time has elapsed. Instructions on activating the automatic timer are found in the section on → "Basic settings"


Note: The cook time can be changed or canceled for any element:

Select the desired element and touch the **Timer** key twice. The remaining cook time for the element is displayed. Adjust the cook time using the number keys, or deactivate it by setting the the timer value to **00**.


Kitchen timer

The timer can be set for periods of up to 99 minutes. It is independent of the other settings. You can also use the kitchen timer when the cooktop is turned off or locked. This function does not automatically switch off an element.

Setting the kitchen timer


1. Touch the **Timer** key until the  indicator lights up. **00** and **min** appear on the timer display.
2. Set the desired time using the number keys.
The timer start to count down after a few seconds.

Changing or deleting the time

Touch the **Timer** key repeatedly until the  indicator lights up.

Change the time using number keys, or set **00** in order to delete the programmed time.

When the time has elapsed

A beep sounds. **00** appears on the timer display and the  indicator lights up. The displays go out after 10 seconds.

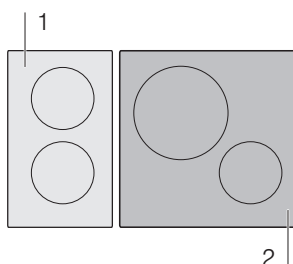
When the **Timer** key is touched, the displays go out and the beep stops.

SpeedBoost® function

The SpeedBoost® function can be used to heat large amounts of water faster than by using heat level **9**.

Limitation on use

This function can always be activated for an element, provided the other element in the same group is not in use (see illustration). Otherwise, **b** and **9** will flash in the display for the selected element; heat setting **9** will then be set automatically without activating the function.



Activation

1. Select an element.
2. Touch the **Speed Boost** key.
b lights up on the display.

The function is activated.

Deactivation

1. Select the element on which SpeedBoost® is set.
2. Touch the **Speed Boost** key.
b goes out on the display and the element switched back to heat setting **9**.

The function is deactivated.

Note: In certain circumstances, the function may be deactivated automatically to protect the internal electronic components of the cooktop.

AutoChef®

When you are using AutoChef® to operate the heating element, a sensor controls the temperature of the pan.

Advantages when frying

- The element only heats up if this is required to maintain the temperature. This saves energy and prevents the oil or fat from overheating.
- The AutoChef® function beeps when the empty frying pan has reached the optimum temperature for adding oil and then for adding the food.

⚠ CAUTION

- Never leave oil or fat cooking unattended.
 - Place the pan in the center of the element. Make sure that the base of the pan has the proper diameter.
 - Do not cover the pan with a lid. The automatic regulation will not work. A mash splatter guard can be used without affecting the automatic regulation.
 - Only use fat or oil that is suitable for frying. When you are using butter, margarine, olive oil or pork lard, select the **min** temperature setting.
 - AutoChef® is not suitable for boiling.
-

Suitable pans for AutoChef®

Suitable frying pans for use with AutoChef® are available as optional accessories. Only use pans that are suitable for use with AutoChef®. You can buy our system pans in specialized stores, or through our Customer Support. Always indicate the related reference code.

- **HEZ390210** (Small)
- **HEZ390220** (Medium)
- **HEZ390230** (Large)

The frying pans have a non-stick coating, which means that very little oil is needed for frying.

▲ CAUTION

- The AutoChef® function was set especially for this type of frying pan.
 - Other frying pans may overheat. The temperature can be set higher or lower. Try the lowest heat setting first and then change it according to your requirements.
 - Make sure that the diameter of the base of the frying pan corresponds to the size of the element. Place the pan in the center of the element.
 - If a different type of pan is used, try it first at the lowest frying level, adjusting it as required. The pans may overheat.
-

Frying levels

Power level	Temperature	Suitable for
max	high	potato pancakes, sautéed potatoes and rare beef steak
med	medium-high	thin fried foods like frozen pies, cutlets (pork or chicken), vegetables
low	medium-low	thick fried food such as hamburgers and sausages, fish
min	low	omelettes, using butter, olive oil or margarine

Frying chart

The chart lists which heat setting is suitable for each type of food. The frying time may vary depending on the type, weight, size and quality of the food.

The set heat setting varies depending on the frying pan that is used.

Preheat the empty pan; add oil and food after the acoustic signal has sounded.

	Temperature setting	Total frying time from signal (mins.)
Meat		
Cutlet, pork or chicken, plain or breaded	med	6 - 10
Fillet	med	6 - 10
Chops*	low	10 - 15
Cordon bleu	med	10 - 15
Steak, medium rare; 1" (2.5 cm) thick	max	6 - 8
Steak, medium or well-done; 1" (2.5 cm) thick	med	8 - 12
Poultry breast; ¾" (2 cm) thick*	low	10 - 20
Sausages, pre-boiled or raw*	low	8 - 20
Hamburger, meatballs	low	6 - 30
Meatloaf	min	6 - 9
Gyros	med	7 - 12
Ground meat	med	6 - 10
Bacon	min	5 - 8
Fish		
Fish, fried, whole, e.g. trout	low	10 - 20
Fish fillet, with or without breadcrumbs	low - med	10 - 20
Shrimp	med	4 - 8

* Turn several times.

** Total cooking time per portion. Fry in succession.


	Temperature setting	Total frying time from signal (mins.)
Egg dishes		
Pancakes**	max	-
Omelette**	min	3 - 6
Fried eggs	min - med	2 - 6
Scrambled eggs	min	4 - 9
French toast**	low	4 - 8
Potatoes		
Fried potatoes; boiled in their skin	max	6 - 12
French fries; made from raw potatoes	med	15 - 25
Potato fritter**	max	2,5 - 3,5
Glazed potatoes	low	15 - 20
Vegetables		
Garlic, onions	min	2 - 10
Squash, egg plant	low	4 - 12
Peppers, green asparagus	low	4 - 15
Mushrooms	med	10 - 15
Frozen products		
Cutlet, pork or chicken	med	15 - 20
Poultry breast*	med	10 - 30
Chicken nuggets	med	10 - 15
Fish fillet, with or without breadcrumbs	low	10 - 20
Fish sticks	med	8 - 12
French fries	max	4 - 6
Stir-fried meals, e.g. fried vegetables with chicken	low	6 - 10
Spring rolls	med	10 - 30
Miscellaneous		
Dry ready meals that require water to be added, e.g. pasta	min	5 - 10
Croutons	low	6 - 10
Almonds/walnuts/pine nuts	med	3 - 15


* Turn several times.

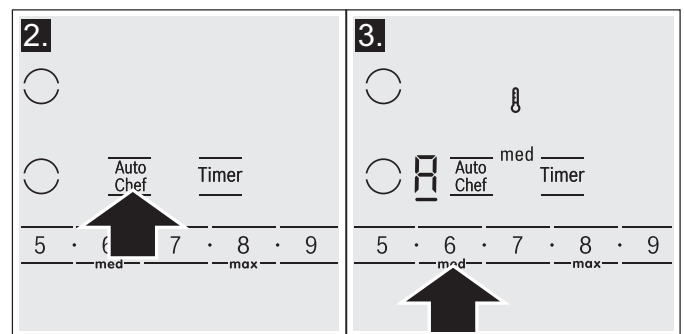
** Total cooking time per portion. Fry in succession.



Setting the AutoChef® feature

Select the appropriate frying level from the chart. Place the system pan in the center of the element. The cooktop must be on.

1. Select the element.
2. Touch the **AutoChef** key. The  lights up on the element display.

3. Select the desired frying level using the number keys. The  symbol lights up on the display. The selected frying level is displayed.



The temperature symbol  stays lit until the temperature is reached. Then a beep sounds,  disappears.

4. Add the frying oil to the pan, then add the ingredients.
Turn the food over as usual to avoid burning.

Turning off AutoChef®

Select the heating element and touch **AutoChef**.

Panel lock

You can use the child safety panel lock to prevent children from accidentally turning the cooktop on.

Turning the panel lock on

The cooktop must be turned off.

Touch **Panel Lock** for 4 seconds. The ● indicator over *Panel Lock* lights up for 10 seconds. The cooktop is now locked.

Turning the panel lock off

Touch **Panel Lock** for 4 seconds. The child lock is now deactivated.

⚠ CAUTION

The child lock may be accidentally turned on and off due to:



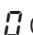




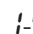



- water spilled during cleaning
- food that has overflowed
- objects being placed on the **Panel Lock** key.

Automatic panel lock

With this function, the panel lock is automatically activated whenever you turn off the cooktop.

Basic settings

The appliance has various basic settings. You can adjust these settings to the way you usually cook.

Display	Function
<i>c 1</i>	Automatic child lock/panel lock  Off*  On
<i>c 2</i>	Audible signals  Confirmation signal and error signals deactivated  Only error signals activated  Only confirmation signals activated  All signals activated*
<i>c 5</i>	Automatic timer  Off*  <i>1-99</i> Automatic shut-off time
<i>c 6</i>	Length of timer end signal  10 seconds*  30 seconds  1 minute

Switching on and off: You can find out how to switch the automatic panel lock on in the section → "Basic settings"

Wipe Protection

Cleaning the control panel while the cooktop is on may change the settings. In order to avoid this the cooktop has a wipe protection function.

To activate: Touch the **Panel Lock** key. The ● indicator above the key lights up. The control panel is locked for 35 seconds.

You can now clean the surface of the control panel without risk of changing the settings.

To deactivate: To deactivate the function before the time has elapsed, touch the Panel Lock key. The ● indicator above the key turns off, the function is deactivated.

Notes

- An acoustic signal sounds 30 seconds after activation. This indicates that the function is about to finish.
- The wipe protection function does not lock the main switch. The cooktop can be switched off at any time.

Automatic time limitation

If the element is used for prolonged periods of time without changes in the settings being made, the automatic time limitation function is triggered.

The element stops heating. *FB* and the residual heat indicator *H/h* flash alternately in the display.

The indicator goes out when any symbol is pressed. The element can now be reset.

When the automatic time limitation is activated depends on the selected heat level (from 1 to 10 hours).

c 7	Power Management function 0 = Off* 1 = 1.000 W. minimum power 1. = 1.500 W 2 = 2.000 W etc. 9 or 9. = maximum power of the element
c 9	Selection time for heating element 0 Unlimited*: You can adjust the settings of the last heating element used at any time without having to select it again. 1 Restricted: You can adjust the settings for the last heating element used within 10 seconds after selecting it. After that you will have to reselect the heating element before setting it.
c 12	Cookware, Checking result of cooking process 0 Not suitable 1 Not perfect 2 Suitable
c 0	Reset to basic settings 0 Off* 1 Reset the appliance to basic settings

*factory settings

Changing the basic settings

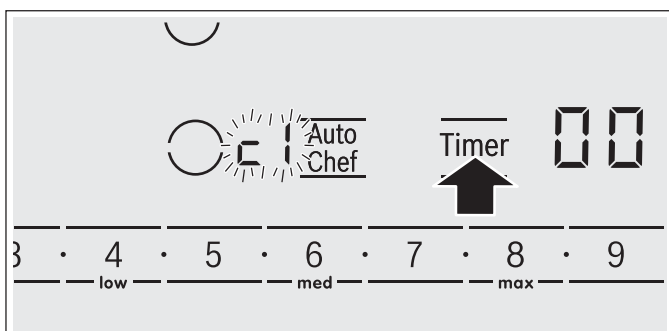
The cooktop must be turned off.

- Turn on the cooktop with the main switch.
- Within 10 seconds, touch the **Timer** key for about 4 seconds.
The first four displays provide product information. Touch the settings area to view the individual displays.

Product information	Display
Directory for the Customer Service Index (K1)	01
FD number	Fd
FD number 1	95.
FD number 2	05

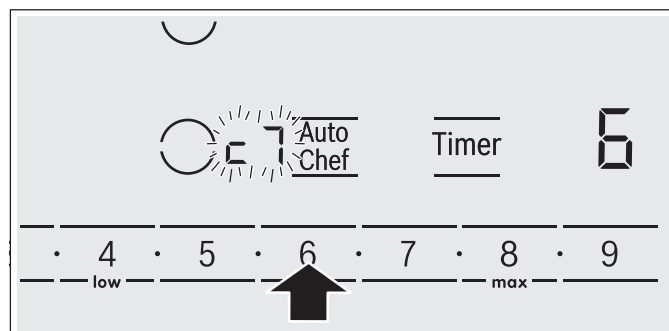
- Touching the **Timer** key again takes you to the basic settings.

In the display **c** and **!** light up alternately and in the timer display **0** lights up as a default setting.



- Touch **Timer** repeatedly until the indicator for the desired function appears in the element display.

- Select the desired setting using the number keys.



- Touch **Timer** again for 4 seconds. The setting is stored.

Quit basic settings

Turn the cooktop off with the main switch.

Cooking with Induction

Advantages of induction cooking

Induction cooking is very different from traditional cooking methods, as heat builds up directly in the item of cookware. This offers numerous advantages:

- Saves time and energy when boiling and frying.
- Easier to care for and clean. Spilled food does not burn on as quickly.
- Heat control and safety – the cooktop increases or decreases the heat supply as soon as the user changes the setting. The induction element stops the heat supply as soon as the cookware is removed from the element, without having to switch it off first.

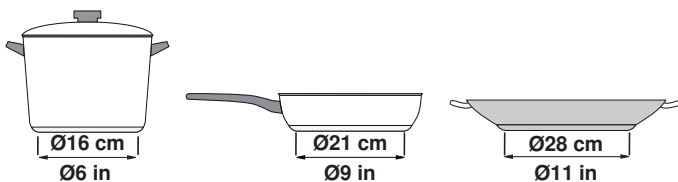
Cookware

Only use ferromagnetic cookware for induction cooking, such as:

- Cookware made from enameled steel or cast iron
- Special induction-compatible cookware made from stainless steel.

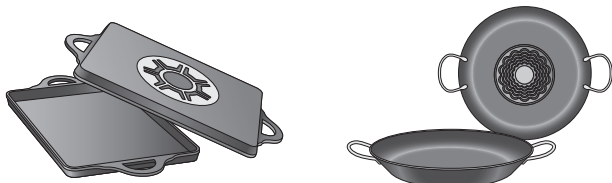
To check whether your cookware is suitable for induction cooking, refer to the section on → "Suitability test of cookware".

To achieve a good cooking result, the ferromagnetic area on the base of the pan should match the size of the element. If a element does not detect an item of cookware, try placing it on another element with a smaller diameter.

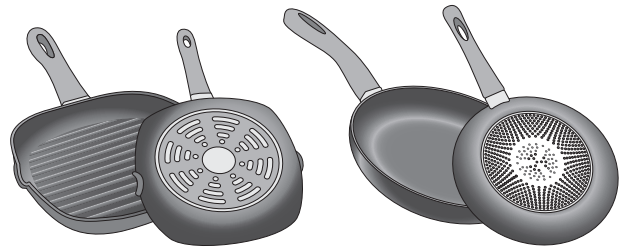


Some induction cookware does not have a fully ferromagnetic base:

- If the base of the cookware is only partially ferromagnetic, only the area that is ferromagnetic will heat up. This may mean that heat will not be distributed evenly. The non-ferromagnetic area may not heat up to a sufficient temperature for cooking.



- The ferromagnetic area will also be reduced if the material of which the base of the cookware is made contains aluminum, for example. This may mean the cookware will not become sufficiently hot or detected.



Unsuitable cookware

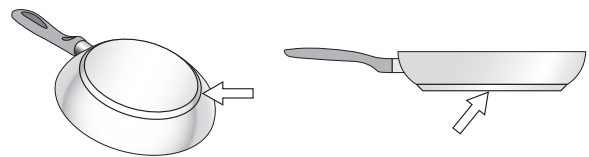
Do not ever use adapter plates for induction or cookware made of:

- Traditional Stainless Steel, Copper, Aluminum
- Glass
- Clay

Properties of the base of the cookware

The material(s) of which the base of the cookware is made can affect the cooking result. Using pots and pans made from materials that distribute heat evenly through them, such as stainless-steel pans with a three-layer base, saves time and energy.

Use cookware with a flat base; if the base of the cookware is uneven, this may impair the heat supply.



No pan or improper size

If no pan is placed on the selected element, or if it is made of unsuitable material or is not the correct size, the power level displayed on the element indicator will flash. Place a suitable pan on the element to stop the flashing. If you take longer than 90 seconds to place a suitable pan on the element, it will automatically turn off.

Empty pans or pans with a thin base

Do not heat up empty pans, or use pans with a thin base. The cooktop is equipped with an internal safety system. However, an empty pan may heat up so quickly that the "automatic switch off" function may not have time to react and the pan may reach very high temperatures. The pan base could melt and damage the cooktop glass. In this case, do not touch the pan and switch the cooktop off. If the cooktop fails to work after it has cooled down, please contact the technical service.

Pan detection

Each element has a lower limit for pan detection. This depends on the diameter of the ferromagnetic area of the cookware and the material of which its base is made. For this reason, you should always use the element that best matches the diameter of the base of the pan.

Cleaning and Maintenance-Cooktop

Daily Cleaning

Notes

- Clean only parts listed in manual.
- Bosch cleaners have been tested and approved for use on Bosch appliances. Other recommended cleaners do not constitute an endorsement of a specific brand.

Cleaning the Cooktop

⚠ WARNING

DO NOT TOUCH SURFACE UNITS OR AREAS NEAR UNITS

Surface units may be hot even though they are dark in color. Areas near surface units may become hot enough to cause burns. During and after use, do not touch, or let clothing or other flammable materials contact surface units or areas near units until they have had sufficient time to cool. Among those areas are the cooktop and surfaces facing the cooktop.

⚠ CAUTION

Do not use any kind of cleaner on the glass while the surface is hot. The resulting fumes can be hazardous to your health. Heating the cleaner can chemically attack and damage the surface.

Precautions for Long Life and Good Appearance of the Surface

- Regular, daily care using the glass ceramic cooktop cleaner will protect the surface and make it easier to remove food soil and water spots.
- The glass ceramic cooking surface is a durable material resistant to impact but not unbreakable if a pan or other object is dropped on it.
- Never cook food directly on the glass.
- Avoid placing a wok support ring, trivet or other metal stand on glass surface.
- Do not use the glass surface as a cutting board.
- Do not slide cookware across the cooking surface as it may scratch the surface.
- Do not place wet pans on the glass surface.

Care Before Use

Care is easy when preventative steps are taken. For example, apply a small amount of glass ceramic cooktop cleaner (packaged with range) on a daily basis. This provides a protective film that makes it easy to remove water spots or food spatters. The temperature of the cooking surface reduces the protective qualities of this cleaner. It must be reapplied before each use. Use a clean cloth and apply glass ceramic cooktop cleaner before each use to remove dust or metal marks that can occur on the counter level surface between uses.

Daily Cleaning Techniques

⚠ WARNING

RISK OF BURNS

Be extremely careful as the cooking surface is hot. If using damp sponge or cloth, wait until the cooktop has cooled sufficiently to prevent steam burns. Also, some cleaners give off noxious fumes when applied to hot surfaces.

1. Clean the surface when it is completely cool with glass ceramic cooktop cleaner.
Exception: Remove dry sugar, sugar syrup, tomato products and milk with the razor blade scraper once the cooktop has sufficiently cooled. See Cooktop Care Chart on the next page.
2. Wipe off spatters with a clean, damp sponge or a paper towel. Rinse and dry. Use white vinegar if smudge remains; rinse.
3. Apply a small amount of the glass ceramic cooktop cleaner. When dry, buff surface with a clean paper towel or cloth.

Using the Razor Blade Scraper

Use the scraper to remove dried or baked on foods. Wait until the cooktop has cooled sufficiently. Hold the scraper at a 30° angle. Move it over the soil to lift it off of the cooktop. Finish with a clean, damp sponge or paper towel. Apply white vinegar if smudge remains and rinse.

⚠ WARNING

RISK OF INJURY

The blade is extremely sharp. Risk of cuts. Protect the blade when not in use. Replace the blade immediately when any imperfections are found. Follow manufacturer's instructions.

Cleaning guidelines

When using a cleaner, use only a small amount; apply to a clean paper towel or cloth. Wipe on the surface and buff with a clean dry towel.

For best results, use a glass cooktop cleaner such as the Bosch Glass Cooktop Cleaner (part number 12010030), which can be ordered online at www.bosch-home.com/us/store (for U.S. customers only). Other cleaners include Bon Ami®, Soft Scrub® (without bleach), and white vinegar.

Avoid these cleaners

- Glass cleaners which contain ammonia or chlorine bleach. These ingredients may damage or permanently stain the cooktop.

- Caustic cleaners such as Easy Off® may stain the cooktop surface.
- Abrasive cleaners.
- Metal scouring pads and scrub sponges such as Scotch Brite® can scratch and/or leave metal marks.
- Soap-filled scouring pads such as SOS® can scratch the surface.
- Powdery cleaners containing chlorine bleach can permanently stain the cooktop.
- Flammable cleaners such as lighter fluid or WD-40.

Cleaning charts

Type of Soil	Possible Solution
<p>Dry sugar, sugar syrup, milk or tomato spills. Melted plastic film or foil. All these items require removal after the cooktop has sufficiently cooled. Be extremely careful as the cooking surface is hot. Failure to remove these can permanently damage the surface.</p>	<p>Remove these types of spills after the surface has sufficiently cooled using the razor blade scraper. Use a new, sharp razor in the scraper. Remove pan and turn off the element. Wearing an oven mitt, hold scraper at 30° angle, using care not to gouge or scratch the glass. Push soil off the heated area. After the surface has cooled, remove the residue and apply the glass ceramic cooktop cleaner.</p> <hr/> <p>⚠ WARNING</p> <p>RISK OF INJURY The blade is extremely sharp. Risk of cuts. Protect the blade when not in use. Replace the blade immediately when any imperfections are found. Follow manufacturer's instructions.</p>
<p>Burned-on food soil, dark streaks, and specks</p>	<p>Soften by laying a damp paper towel or sponge on top of soil for 30 minutes. Use a plastic scrubber and glass ceramic cooktop cleaner or use the razor blade scraper. Rinse and dry.</p>
<p>Greasy spatters</p>	<p>Use a soapy sponge or cloth to remove grease; rinse thoroughly and dry. Apply glass ceramic cooktop cleaner.</p>
<p>Metal marks: Iridescent stain</p>	<p>Pans with aluminum, copper or stainless steel bases may leave marks. Treat immediately after surface has cooled with glass ceramic cooktop cleaner. If this does not remove the marks, try a mild abrasive (Bon Ami®, Soft Scrub® without bleach) with a damp paper towel. Rinse and reapply glass ceramic cooktop cleaner. Failure to remove metal marks before the next heating makes removal very difficult.</p>

Type of Soil	Possible Solution
Hard water spots: Hot cooking liquids dripped on surface	Minerals in some water can be transferred onto the surface and cause stains. Use undiluted white vinegar, rinse and dry. Recondition with glass ceramic cooktop cleaner. Remove boilovers and stains before using the cooktop again.
Surface scratches: Small scratches are common and do not affect cooking. They become smoother and less noticeable with daily use of the glass ceramic cooktop cleaner.	Apply glass ceramic cooktop cleaner before using to remove sand-like grains and grit such as salt and seasoning. Scratches can be reduced by using pans with bases that are smooth, clean, and dry before use. Use recommended glass ceramic cooktop cleaner daily.

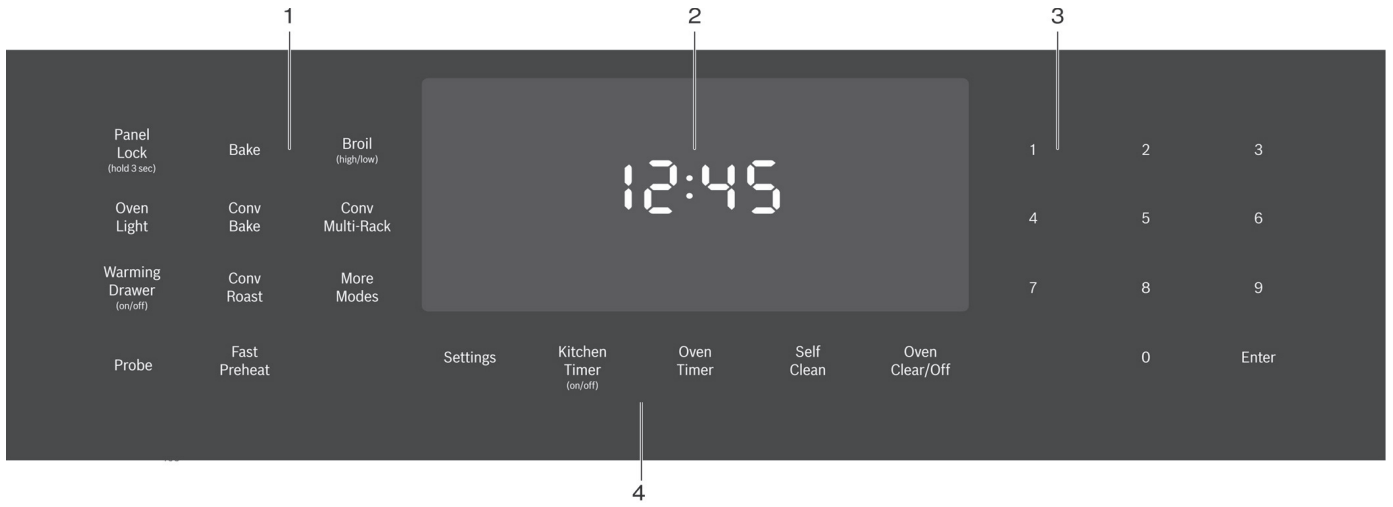
NOTE: Diamond rings may scratch the surface.

Maintenance

This appliance requires no maintenance other than daily cleaning. For best results, apply cooktop cleaning cream daily.

Operation-Oven

Oven Control Panel



800 Series Oven Control Panel

- 1 Mode Selection Buttons

- 2 Display

- 3 Numeric Keypad Buttons

- 4 Special Function Buttons

Note: You only need to press lightly on the buttons to operate them.

Button Descriptions

Panel Lock <small>(hold 3 sec)</small>	Turns Panel Lock mode on and off.
Oven Light	Turns the oven lights on or off.

Kitchen Timer (on/off)	Starts and stops the kitchen timer(s). Press to edit a timer.
Oven Timer	Press to edit the oven timer for the selected oven. Turns off the oven at the end of the specified time.
Settings	Provides access to user settings to allow customization of basic display, language and other features. Use also to set clock.
Probe	Sets probe target temperature. Probe allows monitoring of internal meat temperature during cooking.
Fast Preheat	Enables Fast Preheat option.
Self Clean	Activates Self Clean mode.
Warming Drawer (on/off)	Turns the warming drawer on or off.
More Modes	Allows access to cooking/heating modes that do not have a direct access button.

More Modes

Additional modes are available by pressing the **More Modes** button. These modes include Convection Broil, Warm, Pizza, Proof and Roast. These are discussed in the *Getting the Most Out of Your Appliance* section later in this manual.

Display Symbols



Door Lock- Is displayed when the oven door is locked.



Fast Preheat Symbol- Is displayed when Fast Preheat is active.



Probe Symbol- Appears when a probe is detected.



Panel Lock- Is displayed when the control panel is locked.



Self Clean- Is displayed when Self Clean is active.

About the Oven

Your new oven combines premium cooking results and simple operation.

The oven design has been optimized to improve heat distribution in the oven cavity. The result is even browning, shorter cooking times and lower energy consumption.

Thanks to the Self Clean mode, hours of scrubbing into the darkest corners of the oven is a thing of the past. The oven burns off soil simply and easily. All that is left to do is to remove a few ashes from the oven when Self Clean is done.

Clear labeling of the touch pads makes operating the oven very easy. This manual includes all instructions for operating the oven.

Please call us if you ever have any questions. Our telephone number is located at the beginning of this manual. We welcome your comments and suggestions.

Basic Features

Setting the Clock

The oven includes time functions that require the current time to be set. It is therefore important to set the clock before beginning to use the oven. The oven cannot be in a cooking mode to access the clock set mode.

To set the clock:

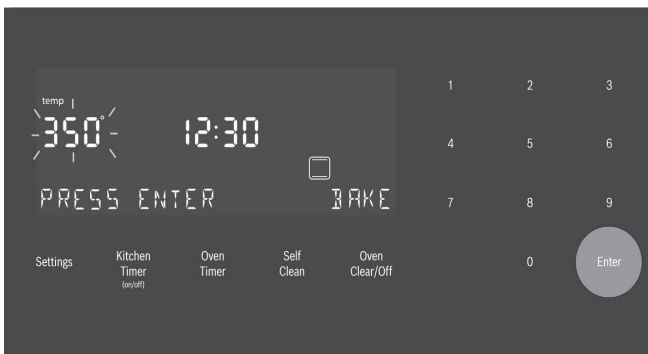
1. The oven must be in Standby mode (oven is powered on, but no cooking mode or timer in operation).
2. To access the clock set mode:
Press the **Settings** button. The display shows “SET CLOCK”. Press **Enter** to edit the clock.
3. Use the numeric keypad to enter the desired time. Each number pressed is entered at the right and moving previously entered digits to the left. To set “12:45 pm”, press 1,2,4,5.
4. When the desired time is entered, set the time by pressing **Enter**.
The clock is now set and running.

Setting the Cooking Mode and Temperature

There are two alternate methods to set cooking mode and temperature.

To set the Cooking Mode first, then the temperature:

1. Press the desired Cooking Mode button. The cooking mode and default temperature are displayed. The temperature flashes to show it can be edited.



2. Press **Enter** to start the mode using the default temperature.
3. To change the temperature, enter the new temperature using the numeric buttons. For example, changing temperature to 375°. Press **Enter** to set the updated temperature.

Note: The new temperature is automatically set after 10 seconds if **Enter** is not pressed.

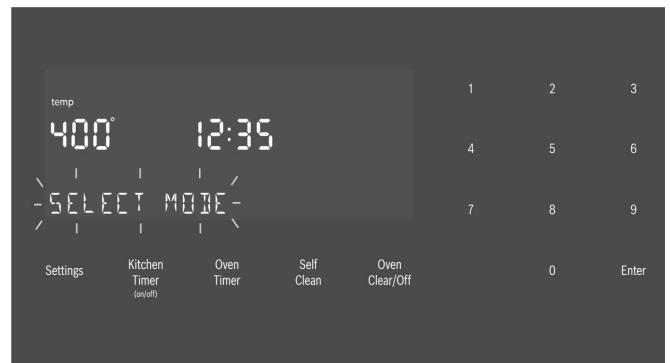
4. Preheating starts.



Note: If a temperature is entered that is not within the allowed range for the mode, an error tone will sound and the lower part of the screen will display “TEMP NOT ALLOWED”.

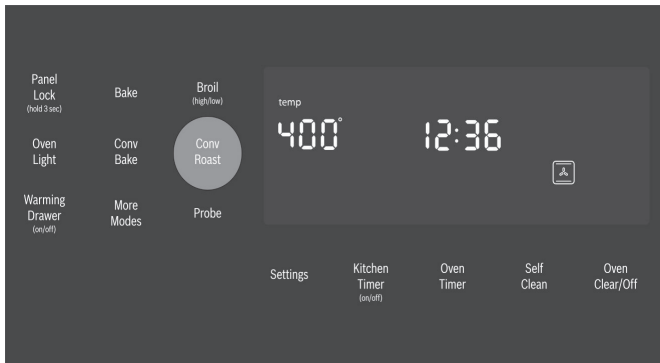
To set the Temperature first and then the Cooking Mode (not for Broil or Convection Broil):

1. Press the numeric keys to enter the desired temperature setting. The temperature entered is displayed beside the current time.
2. Select a cooking mode that is compatible with the temperature entered. If no cooking mode is selected within 5 seconds of setting the temperature, an error tone sounds and a “SELECT MODE” message is displayed and blinks.



3. Press a Mode Selection button to select a cooking mode.

The new mode and temperature set automatically after 10 seconds if **Enter** is not pressed.



Note: If a temperature is entered that is not within the allowed range for the mode selected, an error tone will sound and the lower part of the screen will display “TEMP NOT ALLOWED”.

To change the Oven Temperature:

1. Press the Cooking Mode button.
2. The current temperature flashes. Use the numeric buttons to enter a new temperature. Press **Enter**.

Heating Time Limitation

The maximum heating time is limited. If you forget to turn off the oven, it turns off automatically after a set period of time.

The maximum time for Sabbath Mode is 74 hours. For all other cooking modes the maximum allowed time is 24 hours.

Temperature in °F	Temperature in °C	Max. Time Allowed without Activity
100-200	30-120	24 hours
201-550	121-300	12 hours

Timer

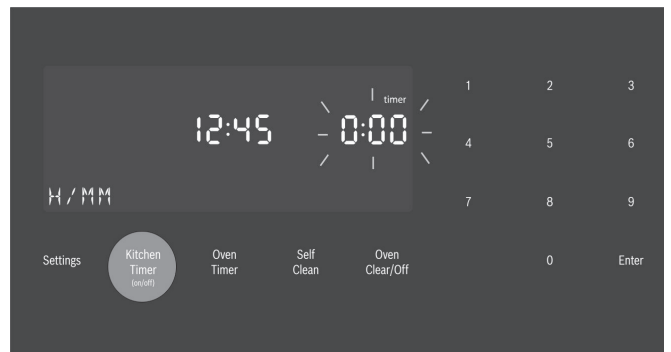
Your new oven is equipped with two types of timers.

Kitchen Timer- is a countdown timer that has no affect on oven heating. The kitchen timer is used for general kitchen timing needs.

Oven Timer- is a countdown timer which upon reaching 00:00 turns the oven off, stopping the current mode. The oven timer is used to set how long a mode will run. Not available for Broil, Convection Broil or Proof.

To set a kitchen timer (for general kitchen timer needs):

1. Press the **Kitchen Timer On/Off** button.
0:00 is displayed and blinks in the display. Enter the desired timer value in H/MM format using the numeric keypad.



2. Press **Enter**.
The kitchen timer starts.
3. When the kitchen timer has counted down to zero an alarm tone sounds every 10 seconds for 2 minutes and the message “TIMER END” is displayed.

Cancel the kitchen timer- press the Kitchen Timer On/Off button.

Note: The timer does not change when other settings are changed.

To edit a kitchen timer (for setting a timer to turn the oven off):

1. Press the Kitchen Timer On/Off button.
2. The current time value blinks and can be edited.

To set an oven timer:

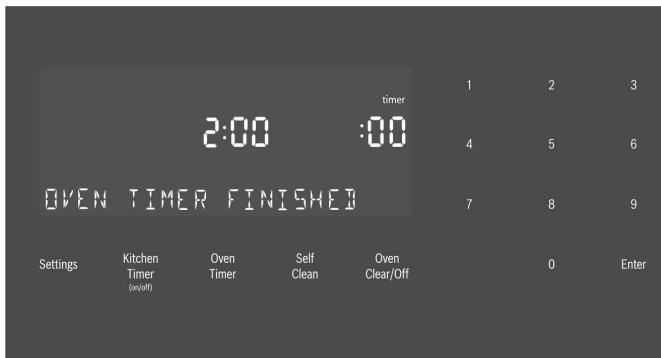
Note: An oven timer cannot be run during Self Clean.

1. Press **Oven Timer** button.
2. Select mode, press **Enter**.
0:00 is displayed and blinks in the display. Enter the desired timer value in H/MM format using the numeric keypad.



Press the **Enter** button. The oven timer counts down to 0:00.

3. When the timer reaches :00 the cooking mode ends and the message “OVEN TIMER FINISHED” is displayed. The oven alarm tone sounds every 10 seconds for 2 minutes.



Editing the oven timer:

1. If the oven timer is running and the time remaining needs to be changed, enter the oven timer mode by pressing the **Oven Timer** button
2. The temperature blinks, indicating it can be edited. Input a new temperature or press **Enter** for no change.
3. The timer value blinks, indicating it can be edited. Input the new time and restart the timer by pressing the **Enter** button.

The oven timer may be cleared by entering 0:00.

Fast Preheat

Fast Preheat heats the oven quicker than standard preheat. It is available for Bake, Convection Multi Rack, Convection Bake, Convection Roast, Roast and Pizza.

Roast is found in the “More Modes” menu. If Fast Preheat is not allowed for the selected cooking mode an error tone sounds. Fast Preheat is not available for Broil, Convection Broil, Proof or Warm.

To set Fast Preheat:

1. Press **Fast Preheat**.
The fast preheat icon appears in the display just above the mode name.
2. Press **Start**.

Fast Preheat can be turned off by pressing **Fast Preheat** again.

Special Features

The special features provide you with additional conveniences when cooking.

Learn more about these special features in the following sections:

- Probe (some models)
- Sabbath Mode
- Panel Lock

Probe

The probe measures the internal temperature of the food. The probe is available for Bake, Roast and all convection cooking modes except Convection Broil.

Some models include a temperature probe used to sense internal temperature of meats during cooking.

The probe ships with a black plastic safety cap over the pointed metal end of the probe. **The cap must be removed prior to use.**



Inserting the probe:

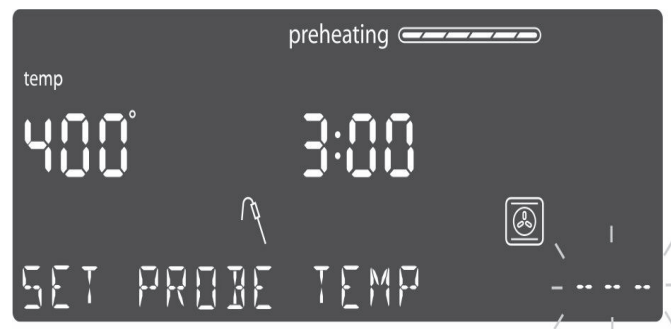
Insert the tip of the probe in the middle and thickest part of the meat or the breast for poultry. Make sure the probe is not touching fat, bone or parts of the oven or the pan.

Note: Food must be completely thawed before inserting the probe into the meat.

To use the probe:

1. Insert the probe into the meat as described above. The probe symbol is displayed.
2. Connect the probe to the oven. If the probe is not connected to the oven prior to starting Probe mode, an error tone sounds and the message "INSERT PROBE" is displayed.
3. Set the cooking mode and temperature.
4. The Set Probe Temp screen is displayed. A three digit input prompt "--" blinks in the lower right corner. Use the numeric keypad to enter the desired probe temperature and press **Enter**.

Note: The minimum probe temperature that can be set is 100°F (40°C) and the maximum is 200°F (100°C). If the probe temperature entered is outside this range, an error is displayed.

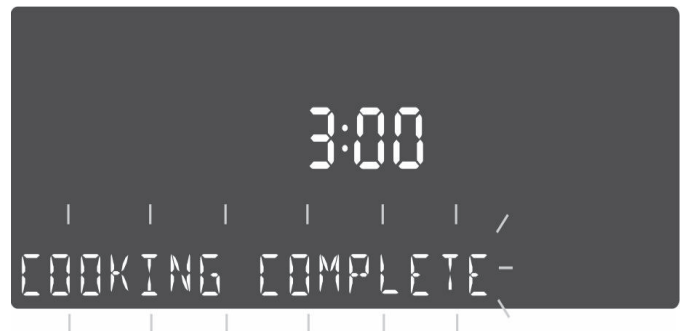


5. The probe current temperature and target temperature are both displayed in the format "105/180" at the lower right corner of the display. The actual temperature will display <80 until the food temperature reaches 80°F.

The displayed probe temperature is updated in increments of 5° during the cooking process.



6. When the probe temperature reaches the set temperature, the cooking mode turns off. The current time is displayed and the message "COOKING COMPLETE" blinks at the bottom left of the display. An alarm tone sounds every 10 seconds for 2 minutes.



This screen remains in the display until it is cleared by pressing the **Oven Clear/Off** button or until the probe is removed. The display then goes back to Standby mode.

Notes

- Probe is not available when an Oven Timer has been set.
- To change the probe temperature, press the Probe button. The display enters probe temperature editing mode and displays the message "SET PROBE TEMP". Enter the new probe temperature and press **Enter** to accept the new value.
- Do not store the probe in the oven.
- Always use the handle of the probe for inserting and removing.
- Always use a potholder to remove the probe since it becomes hot.
- Since meat continues to cook after being removed from the oven, set the internal (probe) temperature 5°-10° below the desired final internal temperature except with poultry.

Sabbath Mode

The Sabbath Mode enables those of particular faiths to use their ovens on the Sabbath.

The Sabbath Mode can be entered in a Bake mode only. The bake temperature must be within the Sabbath Mode temperature range of 100° to 450°F.

If the oven light is on at the start of Sabbath Mode, it remains on throughout the Sabbath Mode operation. If the oven light is off at the start of Sabbath Mode, it remains off throughout the Sabbath Mode operation.

To set the Sabbath Mode:

No kitchen timers or oven timers may be running when Sabbath Mode is entered.

1. Begin a Bake operation. While **Bake** is running, press and hold the **Oven Timer** button for 5 seconds. The message: "SABBATH NOT AVAILABLE" is displayed if a timer is running or the set temperature is outside the allowable range.



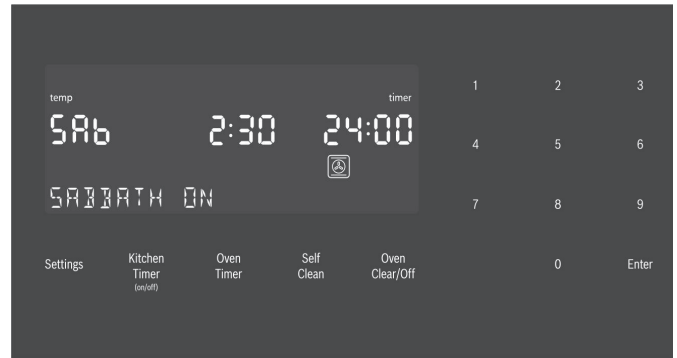
If no timers are running, the Sabbath Mode settings appear in the display. The Sabbath Mode timer blinks showing the value can be edited. The default value is 74:00 (the maximum number of hours for which Sabbath Mode can be set).



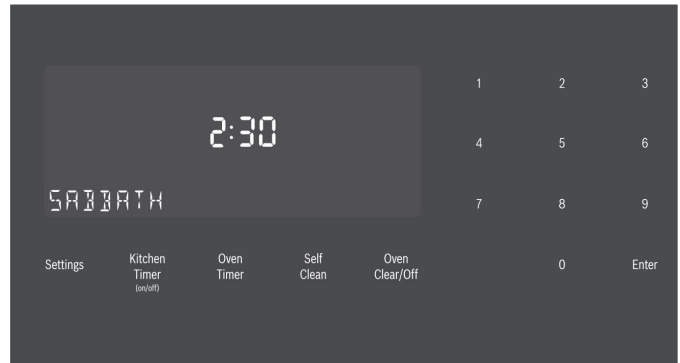
2. Press Enter to accept the default 74:00 hours and start Sabbath Mode or use the numeric keypad to enter the desired Sabbath Mode timer value. Timer values between 0:01 and 74:00 can be entered.

Note: If no changes are made within 10 seconds, Sabbath Mode auto starts.

3. Once Sabbath Mode has begun, the display changes to show the message "SABBATH ON".



4. After the Sabbath Mode countdown reaches zero, the oven displays the current time and the message "SABBATH". No changes can be made at this point. To end the Sabbath Mode and return to normal function, press the **Oven Clear/Off** button.



Notes

- The temperature range in Sabbath Mode is 100°F to 450°F.
- The Sabbath Mode timer can be set between 0:01 and 74:00 hours.

To edit the Sabbath Temperature:

While editing the temperature in Sabbath Mode there is no feedback from the control. If an invalid temperature is set, the oven will default back to the previous running temperature.

1. Press the Bake button.
2. Enter the new desired set temperature.
3. Press **Enter**.

The oven will adjust its set temperature after randomized delay.

Panel Lock

Allows the user to disable all buttons on the control panel. Panel Lock can only be enabled in Standby mode.

1. To enable Panel Lock, press and hold the **Panel Lock** button for 3 seconds (in Standby mode).
2. To disable Panel Lock, press and hold the **Panel Lock** button for 3 seconds. The display returns to Standby mode.

Settings

The oven setup menu is used to customize certain oven settings.

The oven must be in Standby mode (no cooking mode or timer running) in order to access the setup menu.

To make changes to Settings menu items:

1. Press the **Settings** button.
2. The first setup item is displayed. The display shows "SET CLOCK". Press **Settings** again to access the settings menu.
3. To display a different setup item, press the number corresponding to that setting (see table following or press the **Settings** button to cycle through available options).
4. To change the value for the displayed setting, press the **Enter** button to enter the edit mode. Use the numeric keypad to change the setting value. The corresponding setting value is shown in the table following.

For the temperature offset, with the item in edit mode, press "-" or "+" first, then the numeric offset value.

The new value is automatically accepted as the display reverts from edit mode back to display mode.

To exit the Settings menu:

Press the **Oven Clear/Off** button.

Oven Temperature Offset

The oven is calibrated to provide accurate results. This feature is useful if you prefer your foods lighter or darker. When an offset temperature is selected, the actual oven temperature is raised or lowered by this value.

Do not use residential oven thermometers to evaluate oven temperatures as they will fluctuate throughout cooking.

The oven must be turned off in order to set an offset value. Refer to *Temperature Offset* in *Settings Menu Options* for setting.

Note: This process can be repeated until a satisfactory result is achieved. Each time these steps are repeated, the oven temperature sets to zero. In other words, if the offset was changed by 5° the first time, the second time it will need to be offset by 10°. The oven will not add to the original offset.

Settings Menu Options

	Menu Item	Description	Default
1	Temperature Mode	Fahrenheit (°F) or Celsius (°C)	°F
2	Brightness	High, Medium, Low	High
3	Volume	High, Medium, Low	High
4	Clock Mode	12-hour or 24-hour display mode. 12HR, 24HR	12HR
5	Auto Convection Conversion	Decreases oven temperature by 25°F for Convection Bake and Convection Multi-Rack cooking modes. On, Off	OFF
6	Button Beep	Tone when button is pressed. ON, OFF	ON
7	Standby Clock Display	Clock displays when no cooking mode or timer is in use. ON, OFF	ON
8	Language	Language setting: English (EN), French (FR)	EN
9	Temperature Offset	Sets the temperature offset value for Bake, Convection Bake, Roast, Convection Roast and Convection Multi-Rack.	0

Note: Temperature offsets must always be entered as 2 digits.

Example: 5° is entered as 05.

When an offset value is entered, the actual oven temperature is increased or decreased by this value. This feature is useful if food is either too brown or too light.

The range for changing the offset is between +/- 35°F (+/- 19°C) in 1° increments.

The default value is 0.

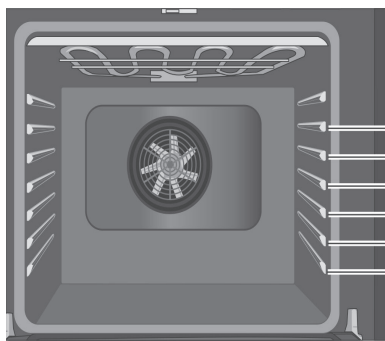
Getting the Most Out of Your Appliance

General Tips

Pan Placement

Baking results are better if pans are placed in the center of the oven. If baking more than one pan on a rack, allow at least 1" to 1 1/2" of air space around the pan. When baking four cake layers at the same time, stagger pans on two racks so that one pan is not directly above the other.

Rack Position



Rack positions are numbered from 1 to 6, from bottom to top.

Consult the food cooking charts at the back of this manual for recommended rack positions.

The rail at the top of the oven is used as the guide for the top rack (position 6). Use rack positions 1 through 6 only. DO NOT attempt to use the top guide to support an oven rack.

Rack Position	Best For
6 (highest usable position)	hamburgers, steaks
5	toasting bread, broiling most meats, melting cheese
4	thicker meats
3	broiling poultry, most baked goods on a cookie sheet or baking pan using a single rack, includes frozen convenience foods, cakes, casseroles, frozen pizza
2	small roasts or poultry, bundt cakes, pies, breads
1 (lowest usable position)	large roasts, turkey, angel food cake

Aluminum Foil

⚠ WARNING

Do not use aluminum foil or protective liners to line any part of the appliance, especially the oven bottom. Installing these liners may result in risk of electric shock or fire.

Preheating the Oven

- Place oven racks in desired position before heating the oven.
- Preheat the oven when using the Bake, Convection Bake, Convection Multi Rack, Pizza, Broil, Convection Broil and Warm modes.
- Preheat is not used for Roast, Convection Roast and Proof modes.
- Allow oven to preheat while preparing recipe ingredients or food items.
- Setting a higher temperature does not shorten preheat time.
- Once oven is preheated, place food in the oven as quickly as possible to minimize the loss of heat and reduction of oven temperature.
- Use Fast Preheat to speed up preheating.

Preheat Reminders

Your oven has one of the fastest preheat times in the market using a concealed bake element. The lower element is hidden under the oven bottom. It is normal that the preheat time is different than your previous oven that had an exposed element on the bottom.

- The hidden lower element is protected from food soils and spills. Wiping up excess spills is easy.
- Preheating is not necessary for meats, poultry, casseroles and some frozen foods.
- Preheat time will be longer when the electrical supply to your house is less than 240 volts.
- Increasing the oven temperature will require a longer preheat time. For example, the preheat time for 425° F is longer than the preheat time for 350° F.

When broiling, preheat the oven 3-4 minutes. Do not preheat for more than 5 minutes.

For Best Results

- Use the cooking recommendation charts as a guide. See charts at the end of the book.
- Open the door as briefly as possible to avoid temperature reduction.
- Use the interior oven light to view the food through the oven window rather than opening the door frequently.
- Use the Timer to keep track of cooking times.

Baking Pans and Dishes

- Glass baking dishes absorb heat. Some cookware manufacturers recommend reducing the temperature 25°F when using this type of dish. Follow manufacturers' recommendations.
- Preheat the oven before adding glass baking dishes.
- Use pans that provide the desired browning. For tender, light, golden brown crusts, use light, anodized or shiny metal bakeware.
- Dark, rough or dull pans (nonstick or anodized) will absorb heat and result in a browner, crisper crust. Some manufacturers recommend reducing the temperature 25°F when using this type of pan. Follow manufacturers' recommendations.
- Insulated cookie sheets or bakeware may increase the length of cooking time.
- Do not set broil pans or any other heavy object on the open oven door.
- Do not keep empty pans or pizza stones in the oven during cooking as this changes cooking performance. Store pans outside the oven.

Opening the Oven Door

Open and close the appliance door only by holding the door handle. To avoid risk of burns, do not touch any other parts of the door.

High Altitude Baking

When cooking at high altitudes, recipes and cooking times will vary.

For accurate information, write the Extension Service, Colorado State University, Fort Collins, Colorado 80521. There may be a cost for the guides. Specify which high altitude food preparation guide you prefer: general information, cakes, cookies, breads, etc.

Condensation

It is normal for certain amount of moisture to evaporate from the food during any cooking process. The amount depends on the moisture content of the food. The moisture may condense on any surface cooler than the inside of the oven, such as the control panel.

Temperature Range by Cooking Mode

Temperatures shown are in Fahrenheit.

Mode	Lowest	Highest
Bake	100	550
Roast	100	550
Broil (Low, High)	450	550
Warm	150	225
Proof	85	125
Convection Bake	100	550
Convection Multi-Rack	100	550
Convection Roast	100	550
Pizza	100	550
Convection Broil (Low, High)	450	550

Bake

Bake is cooking with dry, heated air. Both the upper and lower elements cycle to maintain the oven temperature. The Bake mode can be used to prepare a variety of food items, from pastries to casseroles. Refer to recipe or package directions for oven temperature and baking time.

Tips

- Preheat the oven if the recipe recommends it.
- Baking time will vary with the size, shape and finish of the bakeware. Dark metal pans or nonstick coatings will cook faster with darker results. Insulated bakeware will lengthen the cook time for most foods.
- For best results, bake food on a single rack with at least 1-1/2" space between pans or dishes and oven walls.
- Eliminate heat loss from the oven by using the window to periodically check food for doneness instead of opening the door.

Auto Convection Conversion

Convection Bake and Convection Multi-Rack modes require a 25°F reduction in temperature. Auto Convection Conversion reduces the temperature you enter automatically. Simply enter the package or recipe temperature when setting the mode. The control calculates the correct temperature and it is shown in the display.

The Auto Convection Conversion feature can be turned on to allow for automatic temperature adjustments. See "Auto Convection Conversion" in the Settings section for details.

Convection Bake

Convection Bake is similar to Bake. Heat comes from the upper and lower heating elements. The main difference in convection baking is that the heat is circulated throughout the appliance by the convection fan.

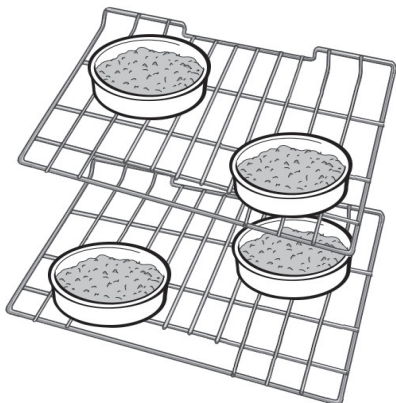
The Convection Bake mode is well suited for cakes, bar cookies and breads to take advantage of the bottom heat, yielding a better crust on baked items.

The benefits of Convection Bake include:

- Slight decrease in cook time.
- Higher volume (yeast items rise higher).

Tips

- Reduce recipe temperature by 25°F. Refer to the cooking chart at end of this manual.
- Place food in shallow, uncovered pans, such as cookie sheets without sides.
- If baking more than one pan on a rack, allow at least 1-1½" of air space around the pan.
- For cakes use rack positions 2 and 5. Stagger pans so that one is not directly above the other (see following graphic).



Convection Multi-Rack

Convection Multi-Rack cooks with heat from a third element behind the back wall of the oven. The heat is circulated throughout the oven by the convection fan.

The Convection Multi-Rack is well suited for cooking individual serving-sized foods such as cookies and biscuits. It is also good for cooking on multiple racks (2 or 3) at the same time. Baking cookies is possible on 6 racks simultaneously. In this case, the baking time increases slightly.

The benefits of Convection Multi-Rack include:

- Even browning.
- Time savings as a result of using multiple racks at one time.

Tips

- Reduce recipe temperature by 25°F if Auto Convection Conversion is not activated.
- Place food in low-sided, uncovered pans such as cookie sheets without sides.
- If baking more than one pan on a rack, allow at least 1" to 1½" of air space around the pan. Stagger pans so that one is not directly above the other.

Pizza

In the **Pizza** mode, heat from the upper and lower elements is circulated throughout the oven by the convection fan.

Use the Pizza mode for fresh or frozen pizza.

Tips

- There might be a slight decrease in baking time. Check before minimum package time.
- When baking a frozen pizza:
For a crispy crust, place directly on the rack.
For a softer crust, use a pizza pan.
- When proofing pizza dough, coat dough with olive oil and cover it in a bowl tightly with plastic wrap to prevent crust formation.
- Sprinkle cornmeal on the pizza pan to prevent sticking.
- If using a pizza paddle, sprinkle the paddle liberally with cornmeal for ease in transferring the dough to the pan.
- If par baking handmade pizza dough, prick the dough with a fork before baking.
- If using a pizza pan, choose a dark, perforated pan for a more crisp crust and a non-perforated pan for a softer crust.
- Preheat baking stones following manufacturer's recommendations while the oven is preheating.
- Bake homemade pizzas on rack position 2 in the center of the rack.
- Follow manufacturer's directions for frozen pizza.
- The convection fan cycles on and off when using pizza mode.

Roast

Roast uses both the upper and lower elements to maintain the oven temperature. Roasting uses more intense heat from the upper element than the lower element. This results in more browning of the exterior while the inside remains especially moist.

Roast is best suited for large cuts of meat and poultry.

Tips

- Preheating the oven is not necessary.
- Use a high-sided broil pan or roasting pan. Cover dish with a lid or foil for less tender cuts of meat.
- For less tender cuts of meat, add liquids, such as water, juice, wine, bouillon or stock for flavor and moisture.
- Roasting bags and using a liquid are suitable for use in this mode.
- When roasting whole chicken or turkey, tuck wings behind back and loosely tie legs with kitchen string.

Convection Roast

Convection Roast uses heat from the top and bottom elements as well as heat circulated by the convection fan.

The Convection Roast mode is well suited for preparing tender cuts of meat and poultry. It is also suitable for roasting vegetables.

The benefits of Convection Roast mode include:

- As much as 25% faster cooking than non-convection modes.
- Rich, golden browning.

Tips

- Preheating the oven is not necessary.
- Use the same temperature as indicated in the recipe.
- Check doneness early, since roasting time may decrease.
- Do not cover meat or use cooking bags.
- Use a broil pan with a rack and grid or a shallow, uncovered pan with a rack for roasting.
- Use a meat thermometer to determine the internal temperature of the meat.
- If the meat is browned to your liking, but is not yet done, foil can be placed over the meat to prevent over-browning.
- Let meat stand covered with foil 10-15 minutes after removing it from the oven.
- See charts for recommended rack positions.

Broil

Broil uses intense heat radiated from the upper element.

The Broil mode is best suited for cooking thin, tender cuts of meat (1" or less), poultry and fish. It can also be used to brown breads and casseroles. Always broil with the door closed.

The benefits of broiling include:

- Fast and efficient cooking.
- Cooking without the addition of fats or liquids.

Tips

- Preheat oven 3-4 minutes. Do not preheat for more than 5 minutes.
- Steaks and chops should be at least 3/4" thick.
- Brush fish and poultry with butter or oil to prevent sticking.
- Use the broil pan and grid or a deep pan with a metal rack, for broiling.
- Do not cover the broil grid with foil. It is designed to drain fats and oils away from the cooking surface to prevent smoking and spattering.
- Turn meats (other than fish) once during the recommended cook time. Fish does not need to be turned.
- When top browning casseroles, use only metal or glass ceramic dishes such as Corningware®.
- Never use heat-proof glass (Pyrex®); it cannot tolerate the high temperature.
- For broil times, refer to the Meat/Poultry Cooking Chart.

Convection Broil

Convection Broil is similar to Broil. It combines intense heat from the upper element with heat circulated by a convection fan.

Convection Broil mode is well suited for cooking thick, tender cuts of meat, poultry and fish. Convection Broil is not recommended for browning breads, casseroles and other foods. Always use Convection Broil with the door closed.

In addition to the benefits of standard broiling, convection broiling is faster.

Temperature must be set within 450°-550°F to enable Broil and Convection Broil.

Tips

- Preheat oven 3-4 minutes. Do not preheat for more than 5 minutes.
- Steaks and chops should be at least 1½" thick.
- Use the broil pan and grid or a deep pan with a metal rack, for broiling.
- Do not cover the broil grid with foil. It is designed to drain fats and oils away from the cooking surface to prevent smoking and spattering.
- Turn meats (other than fish) once during the recommended cook time. Fish does not need to be turned.
- Never use heat-proof glass (Pyrex®); it cannot tolerate the high temperature.
- For Convection Broil times, refer to the Meat/Poultry Cooking Chart.

Proof

In Proof, the appliance uses the upper and lower elements to maintain a low temperature to proof bread or other yeast doughs.

- No preheat is necessary.
- Proofing is the rising of yeast dough.
- The Proof mode temperature is 85°F to 125°F.
- The default temperature in Proof mode is 100°F.
- Loosely cover the bowl or pan and use any rack that accommodates the size of the container.
- Keep the door closed and use the oven light to check the rising of the dough.

Warm

In Warm, the upper and lower elements maintain a low temperature in the oven cavity in order to keep food at serving temperature.

- Use the Warm mode to keep cooked foods hot for up to one hour until ready to serve.
- Warm mode temperatures are 150°F to 225°F.
- The default temperature in the Warm mode is 170°F.
- Foods that must be kept moist should be covered with a lid or aluminum foil.

CAUTION

WHEN USING WARM MODE, FOLLOW THESE GUIDELINES:

- Do not use the Warm mode to heat cold food.
 - Be sure to maintain proper food temperature. The USDA recommends holding hot food at 140°F (60°C) or warmer.
 - DO NOT warm food longer than one hour.
-

Cleaning and Maintenance-Oven

Cleaning the Oven

Self-Clean

⚠ WARNING

WHEN USING THE SELF-CLEAN SETTING

- During the elimination of soil during self-cleaning, small amounts of Carbon Monoxide can be created and the fiberglass insulation could give off very small amounts of formaldehyde during the first several cleaning cycles. To minimize exposure to these substances, provide good ventilation with an open window, or use a ventilation fan or hood.
- Children should not be left alone or unattended in an area where appliances are in use. During the Self Clean cycle, parts of the appliance may become potentially harmful to persons who lack adult knowledge of appliances and adult reactions to potentially harmful conditions.
- Do not block the oven vent(s) during the self-cleaning cycle. Always operate the unit according to the instructions in this manual.
- When self-cleaning, confirm that the door locks and will not open. If the door does not lock, do not run Self-Clean. Contact service.

During Self-Clean, the oven is heated to a very high temperature. Soil is burned off at this temperature.


⚠ CAUTION

AVOID RISK OF DAMAGE

- Wipe out excessive spillage before self-cleaning the oven.
- Do not clean parts or accessories in the self-clean oven.

Self Clean

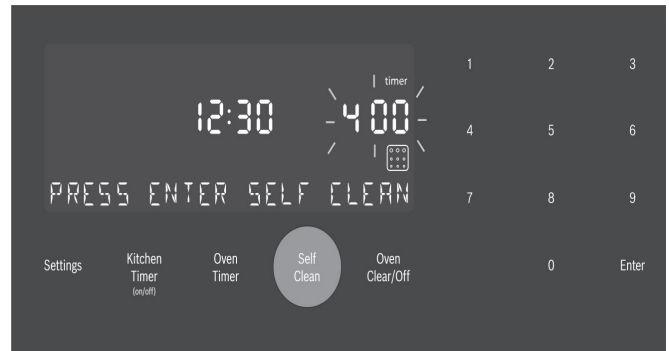
1. Remove all accessories and racks from the oven.
2. If there is a cooking mode on, press **Oven Clear/Off** to end the running mode.
3. Press the **Self Clean** button below the display.

The Self Clean icon  appears in the display. The Self Clean timer default (4:00 hours) blinks to indicate it can be accepted or changed.

To accept the 4:00 hour default Self Clean time, press **Enter** on the numeric keypad.


To enter a different number of hours, use the numeric keypad. The value entered must be within the range of 2:00 to 4:00 hours. Entering a value less than 2:00 or greater than 4:00 results in an error tone and message.

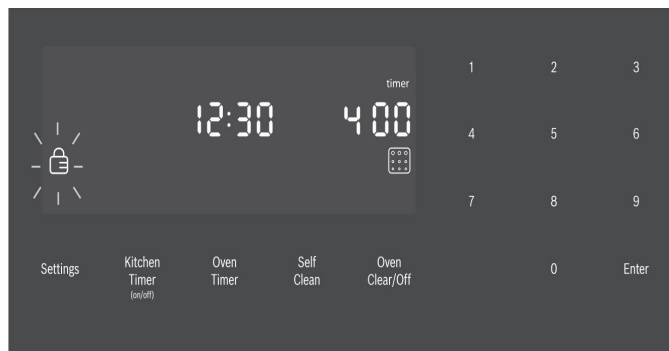
Use a longer setting for a heavily soiled oven.



4. When the desired Self Clean time is displayed, press **Enter** on the numeric keypad.

The oven door locks prior to starting Self Clean.

The door lock symbol  is displayed and blinks while the door is being locked. Once locked, the door lock symbol is continuously illuminated but not blinking.



The door lock symbol remains illuminated as long as the Self Clean mode is running.

Note: The door remains locked until the oven has cooled down after self-cleaning. The door can be opened again only after “**Self Clean**” disappears from the display.

5. **Self Clean** starts and the oven Self Clean timer begins its countdown.

To Cancel Self Clean

Press the **Oven Clear/Off** button to cancel Self Clean.

For Safety, when the Self Clean timer ends, the unit must cool down before the door can unlock. During this period the message “**COOLING DOWN**” is displayed.



6. When the cool down is complete, the message “**SELF CLEAN FINISHED**” is displayed. Continue to use caution when opening the oven door.



7. Press **Oven Clear/Off** to clear the display when Self Clean is finished.

8. After the oven has cooled down and the door is unlocked, wipe remaining ash from the oven using a moist cloth.

Notes

- The oven light cannot be turned on during self-cleaning.
- The special heat-resistant enamel and the polished components in the oven can become discolored over time. This is normal and does not affect operation. Do not use scouring pads or abrasive cleaners to treat discolorations.

Avoid These Cleaners

Do not use commercial oven cleaners such as Easy Off®. They may damage the oven finish or parts.

Chlorine or chlorine compounds in some cleansers are corrosive to stainless steel. Check ingredients on label.

Never use scouring pads or abrasive cleaners.

Oven Cleaning Guide

Part	Recommendations
Flat Rack	Wash with soapy water. Rinse thoroughly and dry, or gently rub with cleansing powder or soap-filled pads as directed. DO NOT clean the rack in the self-cleaning oven. If the flat racks are cleaned in the oven during the self-clean mode, they will lose their shiny finish and may not glide smoothly. If this happens, wipe the rack edges with a small amount of vegetable oil. Then wipe off excess.
Telescopic Rack	Wash with soapy water. Rinse thoroughly and dry, or gently rub with cleansing powder or soap-filled pads as directed. Avoid getting cleansing powder in the telescopic slides. Re-lubrication may become necessary. Use only high-temperature food-grade lubricants to re-lubricate slides. DO NOT clean the rack in the self-cleaning oven.
Fiberglass Gasket	Do Not Clean Door Gasket-The door gasket is essential for a good seal. Care should be taken not to rub, damage or move the gasket.
Glass	Wash with soap and water or glass cleaner. Use Fantastik® or Formula 409® to a clean sponge or paper towel and wipe clean. Avoid using powder cleaning agents, steel wool pads and oven cleaners.
Painted Surfaces	Clean with hot soapy water or apply Fantastik® or Formula 409® to a clean sponge or paper towel and wipe clean. Avoid using powder cleaning agents, steel wool pads and oven cleaners.

Part	Recommendations
Porcelain Surfaces	Immediately wipe up acid spills like fruit juice, milk and tomatoes with a dry cloth. Do not use a moistened sponge/cloth on hot porcelain. When cool, clean with hot soapy water or apply Bon-Ami® or Soft Scrub® to a damp sponge. Rinse and dry. For stubborn stains, use soap-filled pads. It is normal for porcelain to show fine lines with age due to exposure to heat and food soil.
Stainless Steel Surfaces	Never allow food stains or salt to remain on stainless steel for any length of time. Always wipe or rub in the direction of the grain. Clean with a soapy sponge, then rinse and dry, or wipe with Fantastik® or Formula 409® sprayed on a paper towel. Protect and polish with Stainless Steel Magic® and a soft cloth. Remove water spots with a cloth dampened with white vinegar. Use Bar Keeper's Friend® to remove heat discoloration. Chlorine or chlorine compounds in some cleansers are corrosive to stainless steel. Check ingredients on label.
Plastic & Controls	When cool, clean with soapy water, rinse and dry.
Probe	Wipe with soapy water. Do not submerge. Do not wash in the dishwasher.
Printed Areas (Words & Numbers)	Do not use abrasive cleaners or petroleum based solvents.

Maintenance


Replacing an Oven Light

⚠ CAUTION

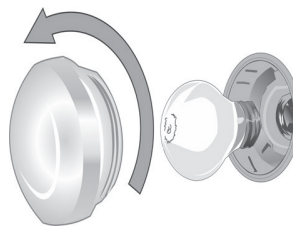
WHEN REPLACING AN OVEN LIGHT:

- Make sure the appliance and lights are cool and power to the appliance has been turned off before replacing the light bulb(s). Failure to do so could result in electrical shock or burns.
- The lenses must be in place when using the appliance.
- The lenses serve to protect the light bulb from breaking.
- The lenses are made of glass. Handle carefully to avoid breaking. Broken glass could cause an injury.
- Light socket is live when door is open.

Bulb Specifications:

Bulb Description	Bulb Image
40 watt, appliance bulb, standard Edison base.	

To Change the Bulb:



- Turn off the power to the oven at the main power supply (fuse or breaker box).
- Remove the glass cover by unscrewing it. Turn the glass counterclockwise to remove it.
- Remove the bulb. The bulb unscrews counterclockwise.
- Grasp the new bulb with a clean, dry cloth to prevent depositing skin oils on the glass which could lead to premature bulb failure. Replace the bulb by screwing it in turning the bulb clockwise.
- Screw the glass cover back on.
- Turn power back on at the main power supply (fuse or breaker box).

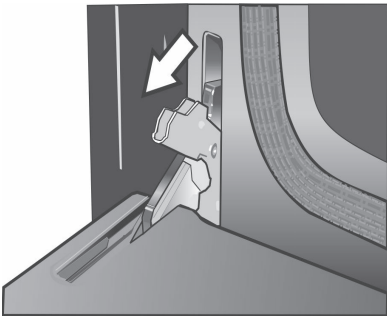
How to Remove the Oven Door

⚠ WARNING

- Make sure oven is cool and power to the oven has been turned off before removing the door. Failure to do so could result in electrical shock or burns.
- The oven door is heavy and parts of it are fragile. Use both hands to remove the oven door. The door front is glass. Handle carefully to avoid breakage.
- Grasp only the side of the oven door. Do not grasp the handle as it may swing in your hand and cause damage or injury.
- Failure to grasp the oven door firmly and properly could result in personal injury or product damage.
- To avoid injury from hinge bracket snapping closed, be sure both levers are securely in place before removing the door. Also, do not force door open or closed-the hinge could be damaged and injury could result.
- Do not lay removed door on sharp or pointed objects as this could break the glass. Lay on a flat, smooth surface, positioned so that the door cannot fall over.

To help avoid injury or damage, be sure to read the above WARNING before attempting to remove the oven door.

1. Open the oven door to its fully open position.
2. Flip levers on hinges toward you.

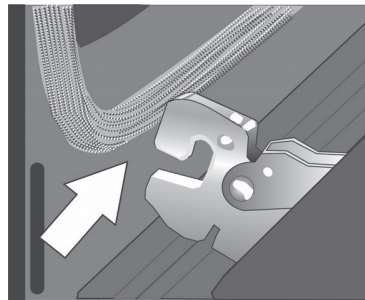


Note: It may be necessary to use a tool, such as a screwdriver, to gently pry the upper part of the lever away from the housing. Take care to avoid scratching the housing.

3. Bring both door hinge levers to their fullest down position as shown in the illustration. The left and right door hinges differ slightly but operate in the same manner.
4. Close the oven door until it catches on the hinge stop levers, locking the hinges at the proper angle for door removal. The door will be open about 7 inches at the top. This takes the spring tension off the hinges so the door can be easily lifted out.



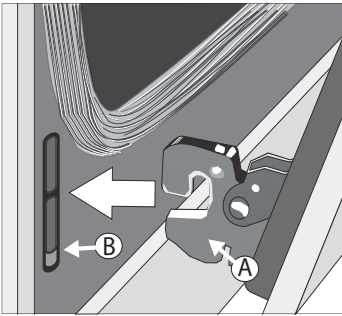
5. The door is heavy. Use both hands to firmly grip it by the sides. Do not grip the door by the handle. Maintaining the door angle, lift the door straight up approximately 3/4" to unhook the hinges from the slots and then pull it out towards you until the hinges are clear of the oven housing.



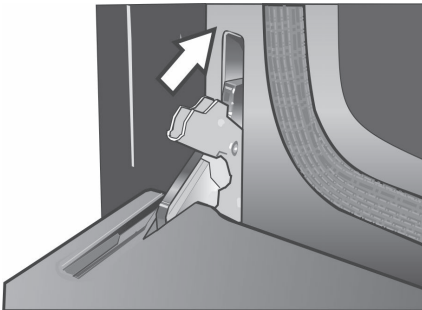
6. Place the door in a convenient and stable location for cleaning.

How to Replace the Oven Door

1. Holding the door firmly in both hands, grip it on either side, not by the handle.
2. Tilt the door back slightly towards you until it opens about 7 inches at the top.
3. Slide the hinges into the slots as far as they will go and then lower the door straight down. The angle of the door may need to be adjusted slightly to allow the hinges to engage properly and the door to lower into place. The door should lower about 3/4" and stop. If not, the hinges have not engaged properly and the door could fall if it is released.



4. Once both hinges are fully engaged as described in Step 3, gently open the door until it is fully open.
5. Push the levers on both the hinges up and forward until they are locked into the slot and flush with the front of the oven body.



6. Close and open the door slowly to be sure it is correctly and securely in place.

Operation-Warming Drawer

This section explains how to operate the warming drawer. See “Getting the Most Out of Your Warming Drawer” for guidelines to improve warming drawer results.

About the Warming Drawer

The warming drawer will keep hot, cooked foods at serving temperature. Warming drawer settings are Low, Medium and High.

Warming Drawer Specifications

Drawer Interior: 25”W x 17”D x 3”H

Dish Sizes:

- 2- 9” x 13” Pyrex 3-quart dishes, side by side
- 2- 9 1/2” x 15” Pyrex 4 quart dishes, side by side
- 4- 10 1/2” plates, single or stacked
- 3- 11” plates, single or stacked

Operation

▲ CAUTION

To maintain food safety, follow these guidelines:

- DO NOT use the warming drawer to heat cold food (exception: it is safe to use the drawer to crisp crackers, chips or dry cereal and to warm plates).
 - Be sure to maintain proper food temperature. The USDA recommends holding hot food at 140°F or warmer.
 - DO NOT warm food for longer than one hour.
 - Plastic containers, plastic wrap or aluminum foil can melt if in direct contact with the drawer or a hot cooking container. If it melts onto the drawer, it may not be removable.
-

Preheating

For best results, preheat the warming drawer when warming food.

Preheat Times:

- Low: 10 minutes
- Medium: 15 minutes
- High: 20 minutes

Turning the Warming Drawer On and Off

1. Press the **Warming Drawer** button.
2. WARMING DRAWER will be displayed with the default setting “MED”. The warming drawer amber icon is displayed below the clock.
3. To accept the “MED” setting, press the **Enter** button. The setting is accepted and the warming drawer icon remains illuminated. If enter is not pressed, the warming drawer setting is not accepted and the warming drawer turns off.
4. To change the setting, when “MED” is displayed, press the **Warming Drawer** button again. The setting changes to “HIGH”. Press the **Warming Drawer** button again to change the setting to “LOW”.
To accept a setting press **Enter**.
The displayed setting will be accepted and the warming drawer icon is illuminated below the clock, indicating that the warming drawer is active.
5. To turn the warming drawer off, press the **Warming Drawer** button and the warming drawer will turn off. The warming drawer icon will no longer appear under the clock.

Sabbath Mode

The warming drawer may also operate in Sabbath Mode but ONLY while the oven is in Sabbath Mode. It is not possible to run Sabbath Mode in the warming drawer only. Simply start the desired warming drawer operation and then start Sabbath Mode in the oven cavity. The warming drawer and oven will operate in Sabbath Mode until the timer reaches zero. It is not possible to change the warming drawer temperature while in Sabbath Mode.

Warming Empty Serving Bowls and Plates

- Use only heat-safe dishes.
- Warm on low setting for cooking containers.
- Check dish temperature during warming period.
- Place empty plates or dishes in a cold warming drawer. Do not preheat drawer prior to placing dishes.

Getting the Most Out of Your Warming Drawer

About the Appliance

The warming drawer will keep hot, cooked foods at serving temperature. Always start with hot food. DO NOT use to heat cold food. It is safe to use the drawer to crisp crackers, chips or dry cereal and to warm plates.

The warming drawer has a push-to-open feature. Push in the front of the drawer to activate opening.

General Tips

Refer to the Warming Drawer Chart for recommended settings.

- To keep several different foods hot, set the temperature for the food needing the highest setting.
- Place items needing the highest setting toward the side of the drawer and items needing less heat in the center of the drawer.
- Food should be at serving temperature (above 140°F) before being placed in the warming drawer. DO NOT use to heat cold food other than crisping crackers, chips and dry cereal or warming dishes or plates.
- Preheat empty serving dish while preheating drawer if desired.
- Place cooked, hot food in warming drawer in its original cooking container or in a heat-safe serving dish.
- Aluminum foil may be used to cover food. DO NOT line the warming drawer with aluminum foil.
- Do not use the warming drawer for storage.

Use of Your Appliance

⚠ CAUTION

To maintain food safety, do not leave food in the drawer for more than one hour before or after cooking.

IMPORTANT:

Plastic containers or plastic wrap can melt if in direct contact with the drawer or a hot utensil. If it melts onto the drawer, it may not be removable.

Note: Use only heat-safe dishes.

Preheating

For best results, preheat the warming drawer when warming food.

Preheat Times:

- Low: 10 minutes
- Medium: 15 minutes
- High: 20 minutes

Warming Empty Serving Bowls and Plates

- Use only heat-safe dishes.
- Warm on low setting for cooking containers.
- Check dish temperature during warming period.
- Place empty plates or dishes in a cold warming drawer. Do not preheat drawer prior to placing dishes.

Crisping Stale Items

Place food in low-sided dishes or pans.

1. Press **LOW**.
2. Preheat for 10 minutes, then place dish in drawer.
3. Set the warming timer.
4. Check crispness after 45 minutes. Add time as needed.

Temperature Recommendations

Food/Cookware	Setting	Cover Dish
Bacon	HIGH	No
Beef, medium and well done	MED	No
Beef, medium rare	LOW	No
Bread, hard rolls	MED	No
Bread, soft rolls, coffee cakes	MED	Yes
Biscuits	MED	Yes
Casseroles	MED	Yes
Eggs	MED	Yes
Fish, seafood	MED	Yes
Fried foods	HIGH	No

Gravy, cream sauces	MED	Yes
Ham	MED	Yes
Pancakes	HIGH	Yes
Pies, one crust	MED	Yes
Pies, two crusts	MED	No
Pizza	HIGH	No
Pork	MED	Yes
Potatoes, baked	HIGH	Yes
Potatoes, mashed	MED	Yes
Poultry, roasted	MED	Yes
Vegetables	MED	Yes
Plates	LOW	No
Plate of food	MED	Yes

Cleaning and Maintenance-Warming Drawer

⚠ CAUTION

To prevent burns, do not remove drawer while hot. Be sure drawer is empty before removing.

Note: The warming drawer is opened with a Push-To-Open mechanism. It is referred to in this chapter as a PTO mechanism.

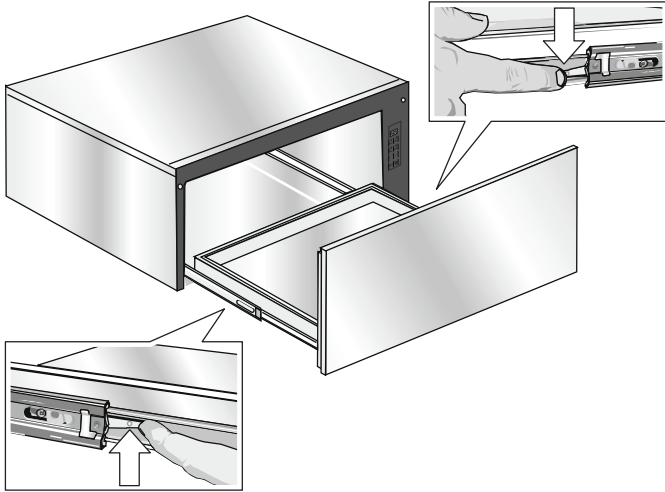
Cleaning the Warming Drawer

Part	Recommendations
Drawer Interior (polished stainless steel)	Use dish detergent. Wash, rinse well and dry. For hard water spots or scale, use white vinegar. Apply with a sponge or cloth, rinse and dry. Chlorine or chlorine compounds in some cleansers are corrosive to stainless steel and can cause injury. Check ingredients on label.
Painted Surfaces	Use hot, soapy water or mild cleaners such as Fantastik® or Formula 409®. Wash, rinse well and dry. Avoid using abrasive cleaning agents, steel wool pads and oven cleaners.
Drawer Exterior Frame (brushed stainless steel)	Always wipe or rub in the direction of the grain. Clean with a soapy sponge, then rinse and dry or wipe with Fantastik® or Formula 409® sprayed on a paper towel. Protect and polish with Stainless Steel Magic® and a soft cloth. Remove water spots with a cloth dampened with white vinegar. Use Bar Keeper's Friend® to remove heat discoloration. Chlorine or chlorine compounds in some cleansers are corrosive to stainless steel. Check ingredients on label.

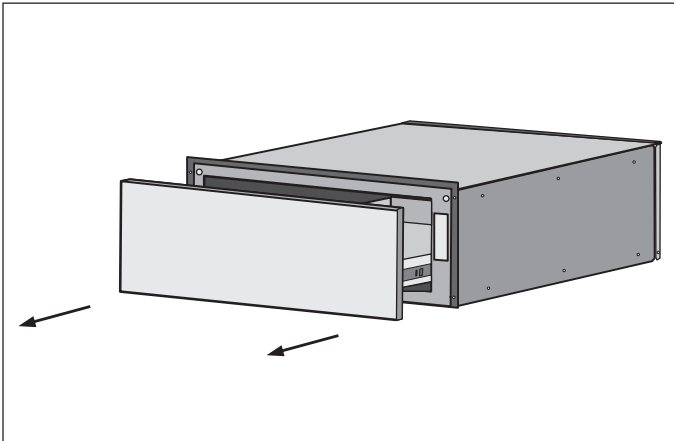
Removing Drawer from Housing

NOTICE: The following is the manufacturer's recommendations for removing and installing the drawer to minimize the risk of damage to the PTO mechanism.

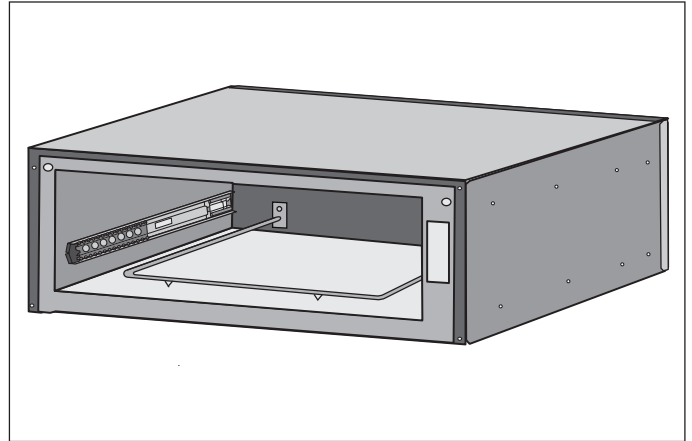
1. Remove the drawer from the drawer housing.
 - Pull drawer to fully open position.
 - Press down right drawer release lever.
 - Lift up left drawer release lever.
 - Firmly pull the drawer straight out.
 - Retract cabinet rails while drawer is removed.



2. Grasp both sides of the drawer and pulling straight and level, carefully remove the drawer housing. This step may require light to moderate force to completely remove drawer.



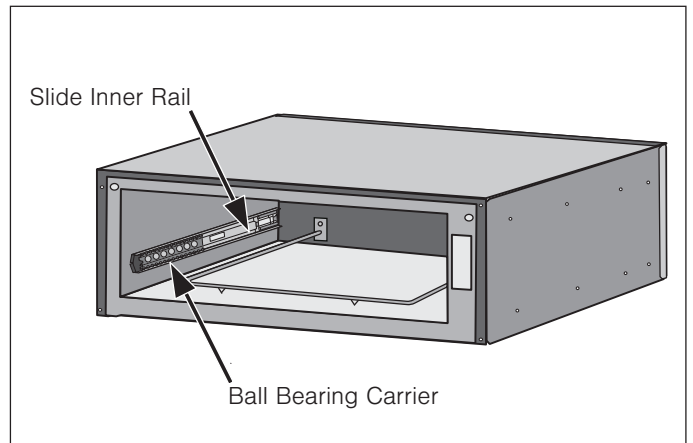
3. Install or service (clean) housing with drawer removed.



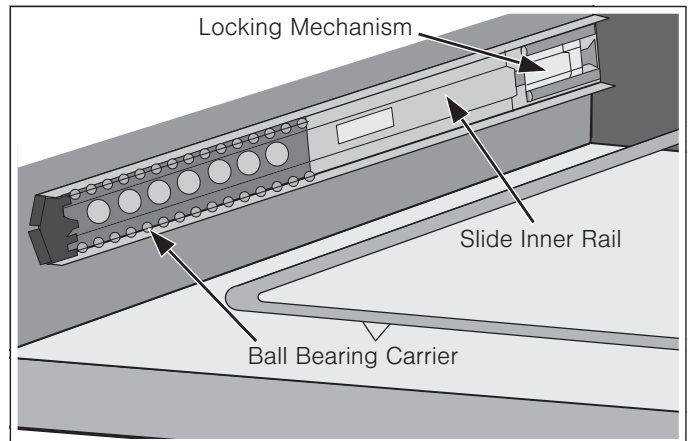
Installing Drawer to Housing

The slides mounted to each side of the housing wall have two moving components, an inner rail and a ball bearing carrier which need to be in the proper orientation for accurate installation and alignment.

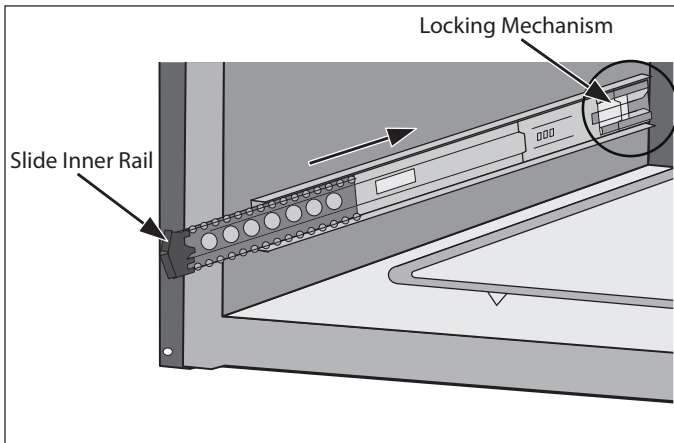
There is also a visible locking mechanism located at the rear of each slide.



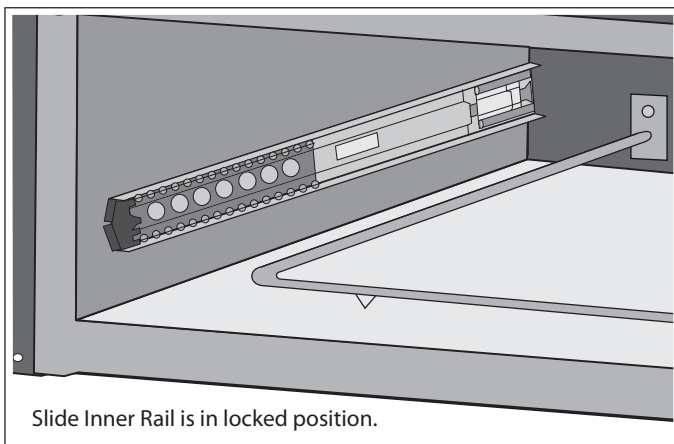
Note: The housing of your warming drawer should match the image below identically before starting your installation. The ball bearing carrier should be locked in to the inner rail's black plastic rail tip at the front of the inner rail.



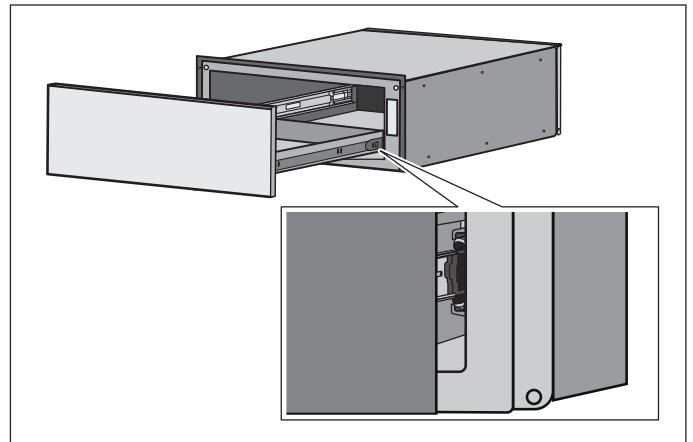
1. With the drawer removed, set the slide inner rail to the drawer locked position by pushing the slide inner rail **toward** the rear of the housing until it locks in place.



Note: A moderate force pushing on the black plastic ball carrier locking mechanism is required to set the slide to the drawer locked position. The drawer is locked when it remains in place and does not spring back to the open position.

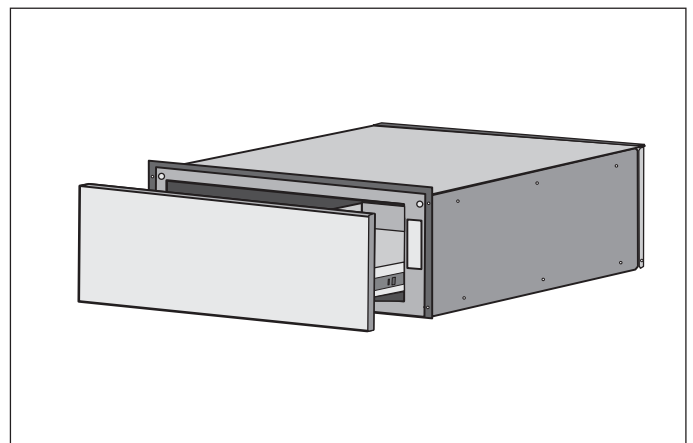


2. Position the drawer assembly in front of the housing assembly and align the rail (plastic rail tip) to the slide ball carrier assembly. Keeping the drawer assembly level and square to the housing, gently insert the drawer to the housing assembly.



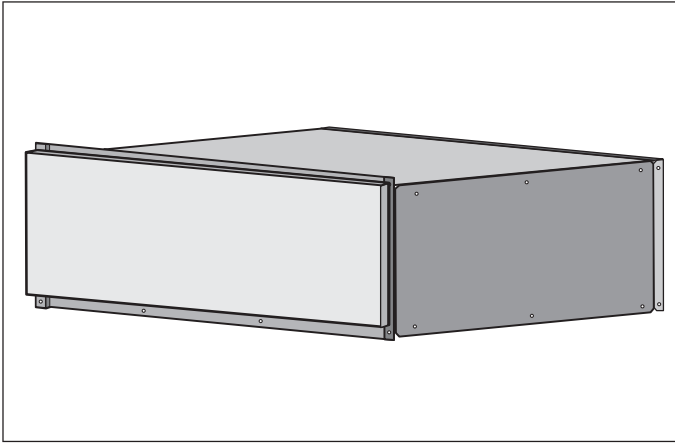
Notes

- A slight side-to-side wiggle motion may be required to properly get the ball bearings to accurately align.
 - **Remember:** You are attempting to align two sets of ball bearings at this point. If more than a moderate force is required to insert the drawer at this time, remove the drawer and repeat the installation procedure to this point.
3. Continue to insert the drawer keeping the drawer level and square to the housing until a slight increase in resistance is felt at the approximate position shown below.

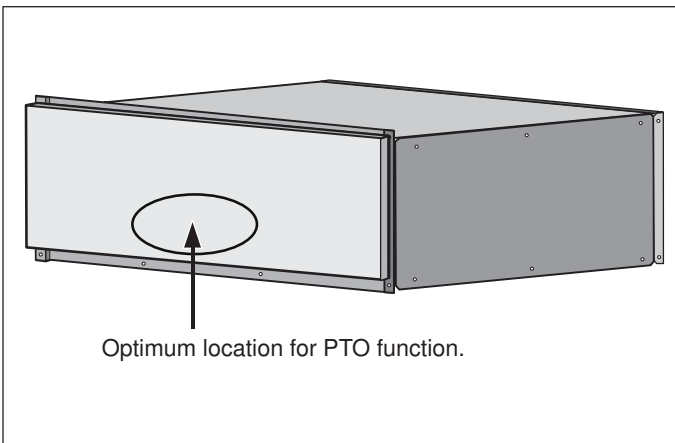


NOTICES

- At this position, a slight increase in closure force is required with several small increments of force applied to the drawer to accurately align and set the drawer for proper operation.
- An audible “click” should be heard when the drawer is properly closed causing the drawer to lock in the closed position.



4. Test the operation of the PTO drawer by pushing on the center lower portion of the drawer front (optimum location for function).



Note: It should be noted the recommended and optimum location for opening the drawer is the lower center front. The drawer will operate with an opening force applied to any location on the drawer front, however a slight increase in opening force may be required.

Service

Frequently-asked questions and answers (FAQ)

Using the appliance

Why can't I switch on the cooktop and why is the child lock symbol lit?

The child lock is activated.

You can find information about this function in section → *"Panel lock"*

Why are the displays flashing and why can I hear an acoustic signal?

Remove any liquid or food remains from the control panel. Remove any objects from the control panel.

You can find instructions on how to deactivate the audible signal in the section on → *"Basic settings"*

Noises

Why I can hear noises while I'm cooking?

Noises may be generated while using the cooktop depending on the base material of the cookware. These noises are a normal part of induction technology. They do not indicate a defect.

Possible noises:

A low humming noise like the one a transformer makes:

Occurs when cooking at a high heat setting. The noise disappears or becomes quieter when the heat setting is reduced.

Low whistling noise:

Occurs when the cookware is empty. This noise disappears when water or food is added to the cookware.

Crackling:

Occurs when using cookware made from different layers of material or when using cookware of different sizes and different materials at the same time. The volume of the noise can vary depending on the quantity of food being cooked or the cooking method.

High-pitched whistling noises:

Can occur when two elements are used on the highest heat setting at the same time. The whistling noises disappear or become quieter when the heat setting is reduced.

Fan noise:

The cooktop is equipped with a fan that switches on automatically at high temperatures. The fan may continue to run even after you have switched off the cooktop if the temperature detected is still too high.

Cookware

Which types of cookware can be used with an induction cooktop?

You can find information on which types of cookware can be used with an induction cooktop in the section on → *"Cooking with Induction"*.

Why is the element not heating up and why is the heat setting flashing?

The element on which the cookware is standing is not turned on.

Check that you have turned on the correct element.

The cookware is too small for the element that is turned on or it is not suitable for induction cooking.

Check that the cookware is suitable for induction cooking and that it is placed on the element that best corresponds to its size. You can find information on the type, size and positioning of cookware in the sections on → *"Cooking with Induction"*.

Cookware

Why is it taking so long for the cookware to heat up or why is it not heating up sufficiently despite being on a high heat setting?

The cookware is too small for the element that is turned on or it is not suitable for induction cooking. Check that the cookware is suitable for induction cooking and that it is placed on the element that best corresponds to its size. You can find information on the type, size and positioning of cookware in the sections on → "Cooking with Induction".

Cleaning

How do I clean the cooktop?

Using a special glass-ceramic cleaning agent produces the best results. We advise against using harsh or abrasive cleaning agents, dishwasher detergent (concentrated) or scouring pads.

You can find more information about cleaning and caring for your cooktop in the section on "Cleaning and Maintenance-Cooktop."

Fixing Malfunctions

Malfunctions are usually due to small details. Before calling the Customer Support, you should consider the following advice and warnings.

⚠ CAUTION

Repairs should only be done by an authorized servicer.

Improper repair of your appliance may result in risk of severe physical injury or death.

Display	Possible cause	Solution
None	The power supply has been disconnected. The device has not been connected in accordance with the connection diagram. Electronics error.	Use other electrical devices to check whether a short-circuit has occurred in the power supply. Ensure that the device has been connected in accordance with the connection diagram. If the error cannot be eliminated, inform the technical after-sales service.
The displays flash	The control panel is damp or an object is covering it.	Dry the control panel or remove the object.
The – indicator flashes in the element displays	An error has occurred in the electronics.	To confirm the error, cover the control panel with your hand.
<i>F2</i>	The electronics have overheated and have switched off the corresponding element.	Wait until the electronics have cooled down sufficiently. Then touch any symbol on the cooktop.
<i>F4</i>	The electronics have overheated and have switched off all elements.	
<i>F5</i> + heat setting and acoustic signal	There is a hot pan in the area of the control panel. There is a risk that the electronics will overheat.	Remove the pan. The error display goes out shortly afterwards. You can continue to cook.
<i>F5</i> and acoustic signal	There is a hot pan in the area of the control panel. To protect the electronics, the element has been switched off.	Remove the pan. Wait for a few seconds. Touch any control. If the error display goes out, you can continue to cook.
<i>F1/F6</i>	The element has overheated and switched itself off to protect the work surface.	Wait until the electronics have cooled down sufficiently and switch the element on again.
<i>F8</i>	The element was operating for an extended period without interruption.	The automatic safety switch-off function has been activated. See section "Automatic time limitation"

Do not place hot pans on the control panel.

Display	Possible cause	Solution
E9000 E9010	The supply voltage is incorrect; outside of the normal operating range.	Contact your electrical utility provider.
E9011	The cooktop is not connected properly.	Disconnect the cooktop from the power supply. Ensure that it has been connected in accordance with the connection diagram.
dE	The demo mode is activated	Disconnect the cooktop from the power supply. Wait 30 seconds and reconnect it. Touch any touch control in the next three minutes. The demo mode is deactivated.

Do not place hot pans on the control panel.

Notes

- If **E** appears on the display, the sensor for the element in question must be held down in order to be able to read off the fault code.
- If the fault code is not listed in the table, disconnect the cooktop from the power supply, wait 30 seconds, and then reconnect it again. If the display appears again, contact Technical Assistance Service and tell them the precise fault code.

Suitability test of cookware

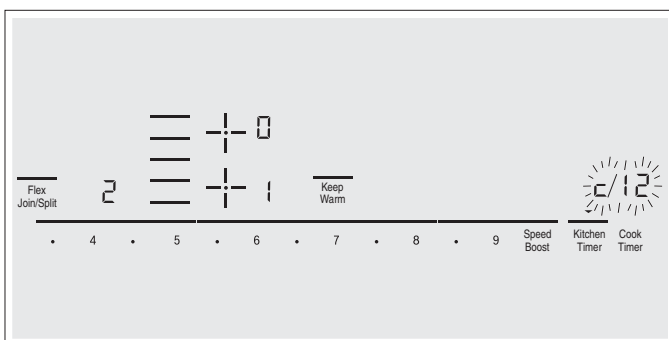
This function can be used to check the speed and quality of the cooking process depending on the cookware.

The result is a reference value and depends on the properties of the cookware and the element being used.

1. With the cookware still cold, fill it with approx. 8 oz. (200 ml) of water and place it on the center of the cooking zone with the diameter that most closely matches that of the base of the cookware.
2. Go to the basic settings and select the **c 12** setting.
3. Touch the settings range. **—** will flash on the cooking zone display.

The function has now been activated.

After 10 seconds, the result for the quality and speed of the cooking process will appear on the cooking zone display.



Check the result using the table below:

Result

- | | |
|---|--|
| 0 | The cookware is not suitable for the element and will therefore not heat up.* |
| 1 | The cookware is taking longer to heat up than expected and the cooking process is not going as well as it ought to.* |
| 2 | The cookware is heating up correctly and cooking is progressing well. |

* If there is a smaller element available, try the cookware again on the smaller element.

To reactivate this function, touch the settings range.

Notes

- The flexible cooking zone only counts as a single element; place no more than one item of cookware on it.
- If the diameter of the used cooking zone is much smaller than the diameter of the cookware, only the middle of the cookware can be expected to heat up. This may result in the cooking results not being as good as expected or being less than satisfactory.
- You can find information on this function in the section → "Basic settings"
- You can find information on the type, size and positioning of the cookware in the section "Cookware".

Oven Troubleshooting

Use these suggestions before calling for service to avoid service charges.

Oven Problem	Possible Causes and Suggest Solutions
The oven mode or temperature selected or the numbers selected do not appear in the display	Review manual instructions when setting clock, timer, or Self Clean.
Oven door is locked and will not release, even after cooling	Turn the oven off at the circuit breaker and wait 5 minutes. Turn breaker back on. The oven should reset itself and will be operable.
Oven is not heating	Check circuit breaker or fuse box to your house. Make sure there is proper electrical power to the oven. Be sure oven temperature has been selected.
Oven is not cooking evenly	Adjust oven calibration if necessary (see "Change the Oven Temperature Offset" in this manual). Refer to cooking charts for recommended rack position.
Baking results are not as expected	Refer to cooking charts for recommended rack position. Check "Getting the Most out of Your Oven" for tips and suggestions. Adjust oven calibration if necessary (see "Change the Oven Temperature Offset" in this manual).
Food takes longer to cook than expected	The oven is carefully calibrated to provide accurate results. However, the temperature can be offset if food is consistently too brown or too light. See "Change the Oven Temperature" Offset".
Food is overcooked	The oven is carefully calibrated to provide accurate results. However, the temperature can be offset if food is consistently too brown or too light. See "Change the Oven Temperature" Offset".
Convection Bake or Convection Multi-Rack Results are not as Expected	If the Automatic Convection Conversion Feature is turned off, the temperature must be manually reduced by 25°F. If the feature is active, the temperature is automatically adjusted. See "Turn Automatic Convection Conversion ON or OFF" for more information. Refer to cooking charts and tips for rack positions, cooking times and pan selection. Adjust oven calibration if necessary. See "Change the Oven Temperature" Offset".
Oven temperature is too hot or too cold	The oven thermostat needs adjustment. See Oven Temperature Offset. See "Change the Oven Temperature" Offset".
Oven light is not working properly	Replace or reinsert the light bulb if loose or defective. Touching the bulb with fingers may cause the bulb to burn out.
Oven light will not turn off	Check for obstruction in oven door. Check to see if hinge is bent. When the Sabbath feature is activated, the oven light will stay on or off (as selected during set-up) during the entire Sabbath Mode.
Cannot remove lens cover on light	There may be soil build-up around the lens cover. Wipe lens cover area with a clean dry towel prior to attempting to remove the lens cover.
Oven will not Self Clean properly	Allow the oven to cool before running Self Clean. Always wipe out loose soils or heavy spillovers before running Self Clean. If oven is badly soiled, set oven for a four-hour Self Clean. See Preparing the Oven to Self Clean.
Clock and timer are not working properly	Make sure there is electrical power to oven. See Clock and Timer sections.
Porcelain chips	When oven racks are removed and replaced, always tilt racks upward and do not force them to avoid chipping the porcelain.
"F" and a number appears in display and control beeps	This is a fault code. Press Off to clear the display and stop beeping. Reset oven if necessary. If fault code remains and beep continues, record fault code, cancel oven and call authorized service technician.
With a new range there is a strong odor when oven is turned on	This is normal with a new range and will disappear after a few uses. Operating the Self Clean cycle will also "burn-off" the smell more quickly.
Control does not react when the pad is touched	Be sure that pad is clean. Touch the center of the button. Use the flat part of your finger.

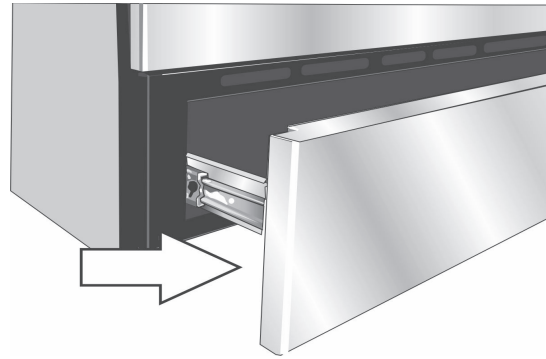
Fan is running during modes that don't use convection	On some models, the convection fan will run while the oven is preheating for the bake mode. This is normal. Slide-in models also have a cooling fan that runs during every cooking mode.
Warm air or steam escapes from oven vent	It is normal to see or feel steam or warm air escaping from the oven vent. Do not block the vent.
Cooling fan runs after oven is turned off (Slide-in ranges only)	This is normal. When the oven has cooled to a pre-determined temperature, the cooling fan turns off
The cooktop does not operate during Self Clean	This is normal for some models. Operation will return once Self Clean is complete.

How to Obtain Service or Parts

To reach a service representative, see the contact information at the front of the manual. Please be prepared with the information printed on your data plate when calling.

Data Plate

The data plate shows the model and FD number. Refer to the rating label on the appliance when requesting service. The rating label is located on the back side of the drawer front. Open the drawer to view it.



Model number and FD number

The model number and the FD number of your appliance are found on the data plate. Make a note of these numbers in the space below to save time in the event your appliance requires service.

Model #	FD #
Bosch Customer Support ☎ 800-944-2904	

STATEMENT OF LIMITED PRODUCT WARRANTY

What this Warranty Covers & Who it Applies to

The limited warranty provided by BSH Home Appliances Corporation ("BSH") in this Statement of Limited Product Warranty applies only to the Bosch appliance ("Product") sold to you, the first using purchaser, provided that the Product was purchased:

- For your normal, household (non-commercial) use, and has in fact at all times only been used for normal household purposes.
- New at retail (not a display, "as is", or previously returned model), and not for resale, or commercial use.
- Within the United States or Canada, and has at all times remained within the country of original purchase.

The warranties stated herein apply only to the first purchaser of the Product and are not transferable. Please make sure to return your registration card; while not necessary to effectuate warranty coverage, it is the

best way for BSH to notify you in the unlikely event of a safety notice or product recall.

How Long the Warranty Lasts

BSH warrants that the Product is free from defects in materials and workmanship for a period of three hundred sixty-five (365) days from the date of purchase. The foregoing timeline begins to run upon the date of purchase, and shall not be stalled, tolled, extended, or suspended, for any reason whatsoever.

This Product is also warranted to be free from *cosmetic* defects in material and workmanship (such as scratches of stainless steel, paint/porcelain blemishes, chip, dents, or other damage to the finish of the Product), for a period of thirty (30) days from the date of purchase or closing date for new construction. This *cosmetic* warranty excludes slight color variations due to inherent differences in painted and porcelain parts, as well as differences caused by kitchen lighting, product location, or other similar factors. This *cosmetic* warranty specifically excludes any display, floor, "As Is", or "B" stock appliances.

Repair/Replace as Your Exclusive Remedy

During this warranty period, BSH or one of its authorized service providers will repair your Product without charge to you (subject to certain limitations stated herein) if your Product proves to have been manufactured with a defect in materials or workmanship. If reasonable attempts to repair the Product have been made without success, then BSH will replace your Product (upgraded models may be available to you, in BSH's sole discretion, for an additional charge). All removed parts and components shall become the property of BSH at its sole option. All replaced and/or repaired parts shall assume the identity of the original part for purposes of this warranty and this warranty shall not be extended with respect to such parts. BSH's sole liability and responsibility hereunder is to repair manufacturer-defective Product only, using a BSH-authorized service provider during normal business hours. For safety and property damage concerns, BSH highly recommends that you do not attempt to repair the Product yourself, or use an un-authorized servicer; BSH will have no responsibility or liability for repairs or work performed by a non-authorized servicer. If you choose to have someone other than an authorized service provider work on your Product, THIS WARRANTY WILL AUTOMATICALLY BECOME NULL AND VOID. Authorized service providers are those persons or companies that have been specially trained on BSH products, and who possess, in BSH's opinion, a superior reputation for customer service and technical ability (note that they are independent entities and are not agents, partners, affiliates or representatives of BSH). Notwithstanding the foregoing, BSH will not incur any liability, or have responsibility, for the Product if it is located in a remote area (more than 100 miles from an authorized service provider) or is reasonably inaccessible, hazardous, threatening, or treacherous locale, surroundings, or environment; in any such event, if you request, BSH would still pay for labor and parts and ship the parts to the nearest authorized service provider, but you would still be fully liable and responsible for any travel time or other special charges by the service company, assuming they agree to make the service call.

Out of Warranty Product

BSH is under no obligation, at law or otherwise, to provide you with any concessions, including repairs, pro-rates, or Product replacement, once this warranty has expired.

Warranty Exclusions

The warranty coverage described herein excludes all defects or damage that are not the direct fault of BSH, including without limitation, one or more of the following:

- Use of the Product in anything other than its normal, customary and intended manner (including without limitation, any form of commercial use, use or storage of an indoor product outdoors, use of the Product in conjunction with air or water-going vessels).
- Any party's willful misconduct, negligence, misuse, abuse, accidents, neglect, improper operation, failure to maintain, improper or negligent installation, tampering, failure to follow operating instructions, mishandling, unauthorized service (including self-

performed "fixing" or exploration of the appliance's internal workings).

- Adjustment, alteration or modification of any kind.
- A failure to comply with any applicable state, local, city, or county electrical, plumbing and/or building codes, regulations, or laws, including failure to install the product in strict conformity with local fire and building codes and regulations.
- Ordinary wear and tear, spills of food, liquid, grease accumulations, or other substances that accumulate on, in, or around the Product.
- Any external, elemental and/or environmental forces and factors, including without limitation, rain, wind, sand, floods, fires, mud slides, freezing temperatures, excessive moisture or extended exposure to humidity, lightning, power surges, structural failures surrounding the appliance, and acts of God.

In no event shall BSH have any liability or responsibility whatsoever for damage to surrounding property, including cabinetry, floors, ceilings, and other structures or objects around the Product. Also excluded from this warranty are Products on which the serial numbers have been altered, defaced, or removed; service visits to teach you how to use the Product, or visits where there is nothing wrong with the Product; correction of installation problems (you are solely responsible for any structure and setting for the Product, including all electrical, plumbing or other connecting facilities, for proper foundation/flooring, and for any alterations including without limitation cabinetry, walls, floors, shelving, etc.); and resetting of breakers or fuses.

TO THE EXTENT ALLOWED BY LAW, THIS WARRANTY SETS OUT YOUR EXCLUSIVE REMEDIES WITH RESPECT TO PRODUCT, WHETHER THE CLAIM ARISES IN CONTRACT OR TORT (INCLUDING STRICT LIABILITY, OR NEGLIGENCE) OR OTHERWISE. THIS WARRANTY IS IN LIEU OF ALL OTHER WARRANTIES, WHETHER EXPRESS OR IMPLIED. ANY WARRANTY IMPLIED BY LAW, WHETHER FOR MERCHANTABILITY OR FITNESS FOR A PARTICULAR PURPOSE, OR OTHERWISE, SHALL BE EFFECTIVE ONLY FOR THE PERIOD THAT THIS EXPRESS LIMITED WARRANTY IS EFFECTIVE. IN NO EVENT WILL THE MANUFACTURER BE LIABLE FOR CONSEQUENTIAL, SPECIAL, INCIDENTAL, INDIRECT, "BUSINESS LOSS", AND/OR PUNITIVE DAMAGES, LOSSES, OR EXPENSES, INCLUDING WITHOUT LIMITATION TIME AWAY FROM WORK, HOTELS AND/OR RESTAURANT MEALS, REMODELLING EXPENSES IN EXCESS OF DIRECT DAMAGES WHICH ARE DEFINITELY CAUSED EXCLUSIVELY BY BSH, OR OTHERWISE. SOME STATES DO NOT ALLOW THE EXCLUSION OR LIMITATION OF INCIDENTAL OR CONSEQUENTIAL DAMAGES, AND SOME STATES DO NOT ALLOW LIMITATIONS ON HOW LONG AN IMPLIED WARRANTY LASTS, SO THE ABOVE LIMITATIONS MAY NOT APPLY TO YOU. THIS WARRANTY GIVES YOU SPECIFIC LEGAL RIGHTS, AND YOU MAY ALSO HAVE OTHER RIGHTS WHICH VARY FROM STATE TO STATE.

No attempt to alter, modify or amend this warranty shall be effective unless authorized in writing by an officer of BSH.

Cooking Charts

The charts can be used as a guide. Follow package or recipe directions.

Baked Goods/Entrees

Food	Recommended Cooking Mode	Oven Temperature	Pre-heat Oven	Number of Racks	Rack Position	Time (min.)	Pan Size & Type
Cakes							
Angel Food	Convect. Bake	325° F	Yes	Single	1	35-50	10" tube
Bundt	Convect. Bake	325° F	Yes	Single	2	45-65	12-cup bundt
Cupcakes	Conv. Multi-Rack	325° F	Yes	Single	4	17-27	12-cup muffin pan
	Conv. Multi-Rack	325° F	Yes	Multiple	2 & 5	17-27	12-cup muffin pan
	Conv. Multi-Rack	325° F	Yes	Multiple	1, 3, & 5	17-27	12-cup muffin pan
Round Layers	Convect. Bake	325° F	Yes	Single	3	28-40	8" or 9" round
	Convect. Bake	325° F	Yes	Multiple	2 & 5	28-40	8" or 9" round
Sheet Cake	Convect. Bake	325° F	Yes	Single	3	45-60	13"X9X2"

Cookies

Brownies	Convect. Bake	325° F	Yes	Single	3	33-40	8" or 9" square
Chocolate Chips	Conv. Multi-Rack	325° F	Yes	Single	3	8-17	cookie sheet
	Conv. Multi-Rack	325° F	Yes	Multiple	2 & 5	8-17	cookie sheet
	Conv. Multi-Rack	325° F	Yes	Multiple	1,3, & 5	8-17	cookie sheet
Cookie Bars	Convect. Bake	325° F	Yes	Single	3	23-33	8" or 9" square
Sugar	Conv. Multi-Rack	325° F	Yes	Single	3	8-10	cookie sheet
	Conv. Multi-Rack	325° F	Yes	Multiple	2 & 5	8-10	cookie sheet
	Conv. Multi-Rack	325° F	Yes	Multiple	1,3, & 5	8-10	cookie sheet

Entrees/Vegetables

Casseroles	Bake	recipe temp.	Yes	Single	3	recipe time	casserole dish
Quiche	Bake	375° F	Yes	Single	2	30-40	quiche dish
Soufflé	Bake	325° F	Yes	Single	3	45-55	soufflé dish
Vegetables	Conv. Roast	recipe	No	Single	3	recipe	cookie sheet

The charts can be used as a guide. Follow package or recipe directions.

The convection temperatures have been reduced by 25°F from the recipe or package directions.

Pastries

Cream Puffs	Conv. Multi-Rack	400° F	Yes	Single	3	23-33	cookie sheet
	Conv. Multi-Rack	400° F	Yes	Multiple	2 & 5	23-33	cookie sheet
	Conv. Multi-Rack	400° F	Yes	Multiple	1,3, & 5	23-33	cookie sheet
Puff Pastry	Conv. Multi-Rack	375° F	Yes	Single	3	10-12	cookie sheet

Pies

1 Crust Shell	Convect. Bake	475° F	Yes	Single	2	8-12	9" pie pan
2 Crust, Fruit	Convect. Bake	375° F	Yes	Single	2	45-60	9" pie pan
Frozen	Convect. Bake	375° F	Yes	Single	3	70-85	9" pie pan
Meringue	Bake	350° F	Yes	Single	2	10-15	9" pie pan
Pecan	Bake	350° F	Yes	Single	2	45-60	9" pie pan

Food	Recommended Cooking Mode	Oven Temperature	Pre-heat Oven	Number of Racks	Rack Position	Time (min.)	Pan Size & Type
Pumpkin	Bake	425° F/ 350° F	Yes	Single	2	15 35-45	9" pie pan
Pizza							
Baking Stone	Pizza	425° F	Yes	Single	2	recipe time	baking stone
Fresh	Pizza	425° F	Yes	Single	2	recipe time	pizza pan
Thick Crust, Frozen	Pizza	on package	Yes	Single	on package	pkg time	package directions
Thin Crust, Frozen	Pizza	on package	Yes	Single	on package	pkg time	package directions
Quick Breads							
Biscuits	Conv. Multi-Rack	325° F	Yes	Single	3	10-20	cookie sheet
	Conv. Multi-Rack	325° F	Yes	Multiple	2 & 5	10-20	cookie sheet
Loaf	Convect. Bake	350° F	Yes	Single	2	48-60	8" x 4" loaf pan
Muffins	Conv. Multi-Rack	400° F	Yes	Single	3	14-25	12-cup muffin pan
	Conv. Multi-Rack	400° F	Yes	Multiple	2 & 5	14-25	12-cup muffin pan
Yeast Breads							
Dinner Rolls	Conv. Multi-Rack	375° F	Yes	Single	3	10-20	cookie sheet
	Conv. Multi-Rack	375° F	Yes	Multiple	2 & 5	10-20	cookie sheet
	Conv. Multi-Rack	375° F	Yes	Multiple	1, 3, & 5	10-20	cookie sheet
Loaf	Convect. Bake	400° F	Yes	Single	2	22-35	9" x 5" loaf pan
Sweet Rolls	Conv. Multi-Rack	325° F	Yes	Single	3	20-25	cookie sheet

The charts can be used as a guide. Follow package or recipe directions.

The convection temperatures have been reduced 25°F from the recipe or package directions.

Meats

The charts can be used as a guide. Follow package or recipe directions.

Food	Recommended Cooking Mode	Oven Temperature	Rack Position	Internal Temperature Done-ness	Cooking Time	Food Covered	Stand Time
Beef							
Chuck Roast, 2-3 lbs	Roast	350° F	2	Well, 170° F	1 1/2-2 hours	Yes	none
Hamburgers, 3/4-1 inch thick	Broil	High	6	Medium, 160° F	Side 1: 5-8 Side 2: 4-6	No	none
Rib Eye, Boneless, 3-3.5 lbs.	Convection Roast	325° F	2	Medium-rare, 145° F	27-31 min./lb.	No	10-15 min.
Rib Eye, Boneless, 3-3.5 lbs.	Convection Roast	325° F	2	Medium, 160° F	30-38 min./lb.	No	10-15 min.

The charts can be used as a guide. Follow package or recipe directions.

Roasting times are approximate and may vary depending on the shape of the meat.

Stuffed turkey requires additional roasting time. The minimum safe temperature for stuffing in poultry is 165°F.

Note: Internal food temperatures are USDA recommended as measured by a digital cooking thermometer.

Food	Recommended Cooking Mode	Oven Temperature	Rack Position	Internal Temperature Done-ness	Cooking Time	Food Covered	Stand Time
Rump, Eye, Sirloin, Boneless, 3-5.5 lbs.	Convection Roast	325° F	2	Medium-rare, 145° F	18-33 min./lb.	No	10-15 min.
Rump, Eye, Sirloin, Boneless, 3-5.5 lbs.	Convection Roast	325° F	2	Medium, 160° F	30-35 min/lb.	No	10-15 min.
Steaks, 1-inch thick	Broil	High	6	Medium-rare, 145° F	Side 1: 5-8 Side 2: 4-6	No	none
Steaks, 1-inch thick	Broil	High	6	Medium, 160° F	Side 1: 8-9 Side 2: 5-7	No	none
Steaks 1 1/2-inch thick	Convection Broil	High	3	Medium-rare, 145° F	Side 1: 11-13 Side 2: 9-11	No	none
Steaks 1 1/2-inch thick	Convection Broil	High	3	Medium, 160° F	Side 1: 13-15 Side 2: 11-13	No	none
Tenderloin, 2-3 lbs.	Convection Roast	425° F	2	Medium-rare, 145° F	15-24 min./lb.	No	5 min.
Lamb							
Leg, Boneless, 2-3 lbs.	Convection Roast	325° F	2	Medium, 160° F	25-30 min./lb.	No	10-15 min.
Leg, Boneless, 4-6 lbs.	Convection Roast	325° F	2	Medium, 160° F	30-35 min./lb.	No	10-15 min.
Chops, 1-inch thick	Broil	High	4	Medium-rare, 145° F	Side 1: 4-6 Side 2: 4-5	No	none
Chops, 1-inch thick	Broil	High	4	Medium, 160° F	Side 1: 5-7 Side 2: 5-6	No	none
Pork							
Ham Slice 1/2-inch thick	Broil	High	5	160° F	Side 1: 4-5 Side 2: 3-4	No	none
Loin Roast, 1 1/2-3 lbs.	Convection Roast	350° F	2	Medium, 160° F	19-36 min./lb.	No	10-15 min.
Loin Roast, 3-6 lbs.	Convection Roast	350° F	2	Medium, 160° F	14-23 min./lb.	No	10-15 min.
Chops, 1-inch thick	Broil	Medium	4	Medium, 160° F	Side 1: 8-10 Side 2: 8-9	No	none
Chops, 1 1/2-inch thick	Convection Broil	High	4	Medium, 160° F	Side 1: 9-11 Side 2: 8-10	No	none
Sausage, Fresh	Broil	High	4	170° F	Side 1: 3-5 Side 2: 2-4	No	none
Tenderloin, 2-3 lbs.	Convection Roast	425° F	3	Medium, 160° F	18-28 min./lb.	No	5-10 min.
Poultry							
Chicken							
Bone-in Breasts	Convection Broil	450°F	3	170°F	Side 1: 18-22 Side 2: 17-20	No	none
Bone-in Thighs	Broil	Low	3	180°F in thigh	Side 1: 14-15 Side 2: 12-13	No	none

The charts can be used as a guide. Follow package or recipe directions.

Roasting times are approximate and may vary depending on the shape of the meat.

Stuffed turkey requires additional roasting time. The minimum safe temperature for stuffing in poultry is 165°F.

Note: Internal food temperatures are USDA recommended as measured by a digital cooking thermometer.

Food	Recommended Cooking Mode	Oven Temperature	Rack Position	Internal Temperature Done-ness	Cooking Time	Food Covered	Stand Time
Whole. 3.5-8 lbs.	Convection Roast	375°F	2	180°F in thigh	13-20 min./lb.	No	none
Cornish Game Hens, 1-1 1/2 lbs.	Convection Roast	350°F	2	180°F in thigh	45-75 min. total time	No	none
Turkey							
Breast, 4-8 lbs.	Convection Roast	325°F	2	170°F	19-23 min. /lb.	No	15-20 min. for easy carving
Unstuffed, 12-19 lbs.	Convection Roast	325°F	1	180°F in thigh	9-14 min./lb.	Foil to prevent over- brown- ing	15-20 min. for easy carving
Unstuffed, 20-25 lbs.	Convection Roast	325°F	1	180°F in thigh	6-12 min./lb.	Foil to prevent over- brown- ing	15-20 min. for easy carving
Seafood							
Fish Filets, 3/4-1-inch thick	Broil	Low	3	145°F	11-15 min.	No	none











The charts can be used as a guide. Follow package or recipe directions.

Roasting times are approximate and may vary depending on the shape of the meat.

Stuffed turkey requires additional roasting time. The minimum safe temperature for stuffing in poultry is 165°F.

Note: Internal food temperatures are USDA recommended as measured by a digital cooking thermometer.

Table des Matières

Définitions de sécurité	61	Conseils généraux	95
IMPORTANTES CONSIGNES DE SÉCURITÉ	62	Cuisson 	96
Installation et entretien corrects	62	Auto Convection Conversion	97
Sécurité-incendie	63	Cuisson par convection 	97
Prévention des brûlures	63	Convection MultiRack 	97
Interférence électromagnétique	64	Pizza 	98
Sécurité des enfants	65	Rôtissage 	98
Consignes en matière de nettoyage	65	Rôtissage Convection 	98
Sécurité pour la batterie de cuisine	65	Gril 	99
Avertissements de la Proposition 65 de l'État de la Californie	66	Gril Convection 	99
Sécurité alimentaire	66	Apprêt 	99
Causes de pannes	67	Maintien au chaud 	100
Protection de l'environnement	68	Nettoyage et entretien – Four	100
Économie d'énergie	68	Nettoyage du four	100
Mise en route	69	Entretien	103
Pièces	69	Fonctionnement - Tiroir chauffant	106
Accessoires	70	À propos du tiroir chauffant	106
Faire connaissance avec l'appareil	72	Spécifications du tiroir chauffant :	106
Panneau de commande	72	Fonctionnement	106
Les éléments	73	Tirer le meilleur parti de votre tiroir chauffant	107
Indicateur de chaleur résiduelle	73	À propos de l'appareil	107
Fonctionnement	73	Conseils généraux	107
Interrupteur d'alimentation principal	73	Utilisation de l'appareil	107
Allumage de la table de cuisson	73	Préchauffage	107
Durée de cuisson	75	Maintenir au chaud des bols et des assiettes vides	107
Minuterie de cuisine	76	Faire croustiller des aliments rassis	107
Fonction SpeedBoost®	76	Températures recommandées	108
AutoChef®	77	Nettoyage et entretien – Tiroir chauffant	108
Verrouillage du tableau de commande	79	Nettoyer le tiroir chauffant	108
Protection contre l'essuyage	80	Retirer le tiroir de son compartiment	109
Durée limitée automatique	80	Installation du tiroir dans le compartiment	109
Réglages de base	80	Dépannage	111
Cuisson par induction	82	Foire aux questions (FAQ)	111
Avantages lors de la cuisson par induction	82	Corrections des défaillances	112
Ustensiles de cuisson	82	Dépannage pour le four	114
Nettoyage et entretien – Table de cuisson	83	Comment obtenir des services de dépannage ou des pièces	116
Nettoyage quotidien	83	ÉNONCÉ DE LA GARANTIE LIMITÉE	116
Instructions pour le nettoyage	84	Couverture de la garantie :	116
Tableau de nettoyage	85	Durée de la garantie	116
Entretien	86	Réparation ou remplacement comme solution exclusive	116
Fonctionnement –Four	86	Produit hors garantie	117
Bandeau de commande du four	86	Exclusions à la garantie	117
À propos du four	87	Tableaux de cuisson	118
Caractéristiques générales	88	Plats de boulangerie/Plats principaux	118
Fonctions spéciales	90	Viandes	120
Options de menu des réglages	94		
Tirer le meilleur parti de votre appareil	95		

Cet appareil électroménager Bosch est fabriqué par
BSH Home Appliances Corporation
1901 Main Street, Suite 600
Irvine, CA 92614

Vous avez des questions?

1 800 944-2904

www.bosch-home.com/us

Nous nous ferons un plaisir de vous servir!

Définitions de sécurité

▲ AVERTISSEMENT

Ceci indique que le non-respect de cet avertissement peut entraîner des blessures graves, voire la mort.

▲ ATTENTION

Ceci indique que le non-respect de cet avertissement peut entraîner des blessures légères ou de gravité moyenne.

AVIS : Ceci indique que la non-conformité à cet avis de sécurité peut entraîner des dégâts matériels ou endommager l'appareil.

Remarque : Ceci vous signale des informations et/ou indications importantes.



IMPORTANTES CONSIGNES DE SÉCURITÉ

LIRE ET CONSERVER CES INSTRUCTIONS

AVERTISSEMENT

Votre nouvel appareil a été conçu pour un fonctionnement sûr et fiable si vous en prenez bien soin. Lire attentivement toutes les consignes avant l'emploi. Ces précautions réduiront les risques de brûlures, de choc électrique, d'incendie et de lésions corporelles. Lors de l'utilisation d'un appareil électroménager, quelques précautions de sécurité élémentaires doivent être observées, y compris celles qui figurent aux pages suivantes.

Cet appareil est conçu pour une utilisation jusqu'à une altitude maximale de 2 000 m.

Installation et entretien corrects

AVERTISSEMENT

RISQUE DE BASCULEMENT

Il est possible pour un enfant ou un adulte de faire basculer la cuisinière et d'être tué. Vérifier que le support antibasculément est réengagé lorsque la cuisinière est déplacée.



Ne pas faire fonctionner la cuisinière si le support antibasculément n'est pas en place. Ne pas respecter les instructions de ce manuel peut causer la mort ou de sérieuses brûlures chez les enfants et les adultes.

Vérifier que le support antibasculément est installé et utilisé correctement. Incliner doucement la cuisinière vers l'avant pour vérifier si le dispositif antibasculément est engagé au niveau des pieds de la cuisinière et empêche celle-ci de basculer. La cuisinière ne doit pas se déplacer de plus de 1 po (2,5 cm).

Demandez à l'installateur de vous montrer où se trouve le disjoncteur ou le fusible. Identifier sa position pour pouvoir le retrouver facilement.

Cet appareil doit être adéquatement installé et mis à la terre par un technicien agréé. Branchez l'appareil uniquement dans une prise correctement reliée à la terre. Pour plus de détails, reportez-vous à la notice d'installation.

Cet appareil est destiné uniquement à une utilisation domestique normale. Il n'est pas homologué pour un usage en extérieur. Voyez la Énoncé de la Garantie Limitée. Si vous avez des questions, communiquez avec le fabricant.

Ne pas entreposer ni utiliser de produits chimiques corrosifs, vapeurs, substances inflammables ou produits non alimentaires à l'intérieur ou à proximité de l'appareil. Il a été spécialement conçu pour être utilisé pendant le chauffage et la cuisson des aliments. L'emploi de produits chimiques corrosifs pour chauffer ou nettoyer l'appareil endommagera ce dernier et peut provoquer des blessures.

Ne pas se servir de cet appareil s'il ne fonctionne pas correctement ou s'il est endommagé. Communiquer avec un réparateur autorisé.

Ne pas obstruer les événements du four.

Ne pas réparer ni remplacer toute pièce de l'appareil à moins que cela ne soit spécifiquement recommandé par ce manuel. Toute réparation doit être effectuée par un réparateur autorisé.

En cas d'erreur, l'affichage clignote et émet un signal sonore continu. Débrancher l'appareil de l'alimentation et appeler un réparateur autorisé.

AVERTISSEMENT

Avant de démonter la porte, s'assurer que le courant qui alimente le four est coupé. Le non respect de cette instruction peut entraîner des brûlures.

La porte du four est lourde et fragile. Utilisez les deux mains pour retirer la porte du four. La face avant de la porte est en verre. Manipuler avec précaution pour éviter les cassures.

Saisir la porte uniquement par les côtés. Ne pas tenir la porte par la poignée car elle risque de tourner et provoquer des blessures ou des dommages.

Si la porte n'est pas maintenue fermement et correctement, des lésions corporelles ou des dommages matériels pourraient survenir.

Placer la porte sur une surface plane et stable afin qu'elle ne puisse pas tomber. Le non respect de cette consigne peut entraîner des lésions corporelles ou des dommages à l'appareil.

AVERTISSEMENT

Pour éviter les blessures dues à l'enclenchement des charnières, s'assurer que les deux leviers sont bien en place avant de retirer la porte. D'autre part, ne pas forcer la porte pour la fermer ou l'ouvrir - cela pourrait endommager une charnière et provoquer des blessures.

IMPORTANTES CONSIGNES DE SÉCURITÉ

LIRE ET CONSERVER CES INSTRUCTIONS

AVERTISSEMENT

S'assurer que l'appareil et les ampoules ont refroidi et que le courant qui alimente l'appareil a été coupé avant de changer une ou plusieurs ampoules. Le non respect de cette instruction peut entraîner un choc électrique ou des brûlures. Les lentilles (le cas échéant) doivent être mises en place lors de l'utilisation de l'appareil. Les lentilles (le cas échéant) permettent d'éviter que les ampoules ne se brisent. Les lentilles (le cas échéant) sont en verre. Manipuler avec précaution pour éviter les cassures. Le verre brisé peut être une cause de blessures.

AVERTISSEMENT

Si l'alimentation principale n'est pas coupée, la douille reste sous tension lorsque la porte est ouverte.

Sécurité-incendie

AVERTISSEMENT

Ne JAMAIS couvrir les encoches, orifices ou passages pratiqués au fond du four et ne jamais recouvrir complètement la grille avec des matériaux tels que le papier d'aluminium. Vous risquez autrement de bloquer la circulation de l'air à l'intérieur du four. Les feuilles d'aluminium peuvent également emprisonner la chaleur et présenter ainsi un risque d'incendie.

Si des matériaux à l'intérieur d'un four ou d'un tiroir-réchaud venaient à prendre feu, conserver la porte fermée. Éteindre l'appareil et déconnecter le circuit depuis le boîtier de disjoncteurs.

AVERTISSEMENT

Utiliser cet appareil uniquement dans le cadre de l'utilisation prévue tel que décrit dans ce manuel. NE JAMAIS utiliser pour chauffer ou réchauffer une pièce. Ceci pourrait faire surchauffer l'appareil. L'appareil ne doit jamais servir à entreposer quoi que ce soit.

Toujours avoir un détecteur de fumée en état de marche près de la cuisine.

Si des vêtements s'enflamment, rouler par terre immédiatement pour éteindre les flammes.

Veillez à avoir à portée de main un extincteur d'incendie en bon état de marche, placé visiblement près de l'appareil et facile d'accès.

Étouffez les flammes d'un feu d'aliments autre qu'un feu de graisse à l'aide de bicarbonate de soude. Ne jamais utiliser d'eau sur les feux de cuisson.

AVERTISSEMENT

POUR RÉDUIRE LE RISQUE DE LÉSIONS CORPORELLES DANS L'ÉVENTUALITÉ D'UN FEU DE GRAISSE, OBSERVER LES CONSIGNES SUIVANTES :

- a. **ÉTOUFFER LES FLAMMES** à l'aide d'un couvercle bien hermétique, d'une tôle à biscuits ou d'un plateau en métal, puis éteindre l'appareil. FAIRE ATTENTION À NE PAS SE BRÛLER. Si les flammes ne s'éteignent pas immédiatement, **ÉVACUER LES LIEUX ET FAIRE APPEL AU SERVICE D'INCENDIE.**
 - b. **NE JAMAIS SAISIR UN RÉCIPIENT QUI BRÛLE.** Vous pourriez vous brûler.
 - c. **NE PAS UTILISER D'EAU**, y compris les chiffons ou serviettes mouillées. Une violente explosion de vapeur risque de se produire.
 - d. Utiliser un extincteur uniquement si :
 - Vous savez que vous possédez un extincteur de CLASSE ABC, et vous en connaissez déjà le maniement.
 - L'incendie est de petite ampleur et contenu dans la zone où il s'est déclaré.
 - Le service d'incendie est appelé.
 - On peut combattre l'incendie le dos tourné vers la sortie.
-

Prévention des brûlures

NE PAS TOUCHER LES ÉLÉMENTS CHAUFFANTS OU LES SURFACES INTÉRIEURES DU FOUR - Les éléments chauffants peuvent être chauds même s'ils ne sont pas rouges. Les parois intérieures d'un four peuvent devenir suffisamment chaudes pour provoquer des brûlures. Avant et après l'utilisation, ne pas toucher les éléments chauffants ou les surfaces intérieures du four et ne pas mettre des vêtements, des maniques ou d'autres matériaux inflammables en contact avec ces éléments et ces surfaces tant qu'ils n'auront pas suffisamment refroidi. Les autres surfaces de l'appareil peuvent devenir suffisamment chaudes pour provoquer des brûlures. Parmi ces surfaces, citons les ouvertures d'évent, les surfaces situées près de ces ouvertures et les portes du four.

Ne pas toucher la surface intérieure du tiroir pendant son utilisation. Le tiroir intérieur pourrait devenir suffisamment chaud pour causer des brûlures. Laisser le tiroir et la grille (s'il y en a une) refroidir avant de les manipuler. Faire attention en ouvrant le tiroir-réchaud. En se plaçant sur le côté, ouvrir la porte (ou le tiroir) lentement et légèrement pour laisser l'air chaud et/ou la vapeur s'échapper du four. Éloigner le visage de l'ouverture et s'assurer qu'aucun enfant ou animal ne se trouve près de l'appareil. Une fois l'air chaud et/ou la vapeur sortis, continuer la cuisson. Ne pas laisser les portes ouvertes à moins que vous ne soyez en train de cuisiner ou de nettoyer. Ne pas laisser les portes ouvertes sans surveillance.

IMPORTANTES CONSIGNES DE SÉCURITÉ

LIRE ET CONSERVER CES INSTRUCTIONS

Ne pas chauffer ou réchauffer des contenants d'aliments non ouverts. L'accumulation de pression peut faire exploser le contenant et provoquer des blessures.

Utiliser les réglages de température élevée sur la table de cuisson, seulement si nécessaire. Pour éviter les bouillons et les éclaboussures, chauffer l'huile lentement à une température qui ne dépasse pas le réglage faible-moyen. L'huile chaude peut causer des brûlures et des blessures extrêmes.

Prendre des précautions lors de la cuisson d'aliments au contenu élevé en alcool (e.g. le rhum, le brandy, le bourbon) dans le four. L'alcool s'évapore à des températures élevées. Il existe un risque d'incendie car les vapeurs d'alcool peuvent prendre feu à l'intérieur du four. Utiliser de petites quantités d'alcool dans les aliments et ouvrir la porte du four avec précautions.

Placez toujours les grilles du four à la position souhaitée alors que le four est froid. Toujours utiliser des maniques quand le four est chaud. Si une grille doit être déplacée alors que le four est chaud, ne pas laisser les poignées isolantes entrer en contact avec les éléments chauffants.

Ne jamais déplacer un récipient rempli d'huile chaude, surtout une friteuse. Attendre qu'elle refroidisse.

ATTENTION

Afin d'éviter toute blessure ou dommage potentiels, s'assurer d'installer la grille en suivant exactement les instructions d'installation, et ne pas la mettre à l'envers ni dans le mauvais sens.

Toujours utiliser des poignées isolantes sèches. Des poignées mouillées ou humides entrant en contact avec les surfaces chaudes peuvent provoquer des blessures par dégagement de vapeur. Ne laissez pas les poignées toucher les éléments chauffants chauds. Ne pas utiliser de serviette ni de chiffon volumineux.

Attacher les vêtements lâches, etc. avant de commencer. Attacher les cheveux longs de façon à ce qu'ils ne pendent pas et ne pas porter de vêtements lâches ou d'habits ou objets qui pendillent, tels que cravates, foulards, bijoux ou manches.

Éviter de se pencher au-dessus de l'appareil. Se rappeler que certains vêtements et produits capillaires contiennent des produits chimiques inflammables qui peuvent s'enflammer au contact des éléments de surface ou des brûleurs chauds et causer des blessures graves.

Interférence électromagnétique

AVERTISSEMENT

Cette table de cuisson à induction génère et utilise de l'énergie à fréquence ISM qui chauffe les casseroles en utilisant un champ électromagnétique. Elle a été testée et est conforme avec la partie 18 des règlements FCC régissant les appareils ISM. Cette table de cuisson est conforme aux exigences FCC visant à réduire la perturbation des autres dispositifs dans des installations résidentielles. Les tables de cuisson à induction peuvent perturber la réception radio et télévision. En cas de perturbation de la réception, l'utilisateur devrait essayer d'y remédier en :

- Relocalisant l'antenne de réception de la radio ou du téléviseur.
- Augmentant la distance entre la table de cuisson et le récepteur.
- Branchant le récepteur dans une prise de courant autre que celle du récepteur.

C'est à l'utilisateur qu'il incombe de corriger toute perturbation.

ATTENTION

Les personnes avec un stimulateur cardiaque ou autre dispositif médical similaire devraient redoubler de vigilance lorsqu'elles sont à proximité d'une table de cuisson à induction en marche. Consultez votre médecin ou le fabricant du stimulateur cardiaque pour de plus amples renseignements sur les effets que peuvent causer les champs électromagnétiques provenant d'une table de cuisson à induction.

AVERTISSEMENT

RISQUE DÛ AU MAGNÉTISME

La sonde est magnétique. Les éléments magnétiques peuvent endommager les implants électroniques, tels que les stimulateurs cardiaques et les pompes à insuline. Par conséquent, les personnes portant un implant électronique ne devraient pas mettre la sonde de température dans la poche de leurs vêtements et devraient se tenir à 4 pouces de distance (10 cm) du four, pour ne pas affecter leur stimulateur cardiaque ou un dispositif médical similaire.

IMPORTANTES CONSIGNES DE SÉCURITÉ

LIRE ET CONSERVER CES INSTRUCTIONS

Sécurité des enfants

Lorsque les enfants sont assez âgés pour utiliser l'appareil, il incombe aux parents ou tuteurs légaux de veiller à ce qu'ils soient formés aux pratiques sécuritaires par des personnes qualifiées.

Ne permettre à personne de grimper, rester debout, s'appuyer, s'asseoir ou se pencher sur toute partie d'un appareil, notamment une porte, un tiroir-réchaud ou un tiroir de rangement. Ceci peut endommager l'appareil qui risque de basculer et causer des blessures sérieuses.

Ne pas permettre aux enfants d'utiliser cet appareil sauf sous la surveillance attentive d'un adulte. Ne pas laisser les enfants et les animaux seuls ou sans surveillance lorsque l'appareil est en service. Ne jamais les laisser jouer aux alentours de l'appareil, que ce dernier soit en service ou non.


ATTENTION

Les articles d'intérêt pour les enfants ne doivent pas être rangés dans un appareil électroménager, dans les armoires au-dessus de l'appareil ou sur le dossier. Les enfants peuvent grimper sur l'appareil pour atteindre ces objets et se blesser sérieusement.

Consignes en matière de nettoyage

AVERTISSEMENT

RISQUE DE BRÛLURE

 L'extérieur de l'appareil devient très chaud lors de la fonction de nettoyage. Ne jamais toucher la porte de l'appareil. Laisser l'appareil refroidir. Tenir hors de portée des enfants.

Remarques

- Ne pas nettoyer l'appareil pendant qu'il est encore chaud. Certains nettoyants produisent des émanations toxiques lorsqu'ils sont appliqués sur une surface chaude. Des chiffons ou des éponges humides peuvent provoquer des brûlures provoquées par la vapeur.
- Lors de l'autonettoyage, vérifier que la porte est verrouillée et ne s'ouvre pas. Si la porte ne se verrouille pas, ne pas lancer le Nettoyage Auto. Contacter le service après-vente.
- Les oiseaux ont un système respiratoire très sensible. Éloigner les oiseaux de compagnie de la cuisine ou des pièces où la fumée peut les atteindre. Pendant l'autonettoyage, les émanations de fumée peuvent être nocives pour les oiseaux. D'autres émanations telles la margarine surchauffée et les huiles de cuisson sont également nocives.
- Ne pas laisser la graisse s'accumuler dans le four.

Sécurité pour la batterie de cuisine

Remarques

- Ne pas déposer de nourriture directement sur la sole du four.
- Suivre les instructions du fabricant lors de l'utilisation de sacs de cuisson ou de rôtissage.
- Tenir la poignée de la casserole en mélangeant ou en retournant l'aliment. Cela aide à prévenir les éclaboussures et les mouvements de la casserole.
- Utiliser des casseroles de taille appropriée.

L'emploi d'une casserole trop petite expose une partie de l'élément chauffant ou du brûleur au contact direct et peut ainsi provoquer l'inflammation des vêtements. Sélectionner des ustensiles de cuisine à fond plat suffisamment grands pour couvrir la surface de l'unité chauffante. Cet appareil est équipé d'un ou plusieurs éléments de surface de tailles différentes. Des plats de cuisson adaptés à l'élément de cuisson ou au brûleur en améliorent l'efficacité.

- Les ustensiles de cuisson qui ne sont pas approuvés pour une utilisation sur des tables de cuisson en vitrocéramique risquent de se fendre sous l'effet de brusques changements de température. N'utiliser que des casseroles adaptées aux surfaces de céramique. Voir *Guide de sélection des ustensiles de cuisson*.
- Toujours diriger les poignées des ustensiles vers l'intérieur de manière à ce qu'elle ne soient pas orientées vers les zones de travail situées à proximité, les brûleurs ou le bord de la table de cuisson. Cela réduit le risque de feux, d'éclaboussures et de brûlures.

ATTENTION

Les contenants de plastique ou les pellicules de plastique peuvent fondre en cas de contact direct avec le tiroir ou un ustensile chaud. Si le plastique fond sur le tiroir, il peut ne pas être possible de l'enlever.

AVERTISSEMENT

RISQUE DE BLESSURE

Lors de la cuisson au bain-marie, la table de cuisson et le plat de cuisson peuvent se fendre sous l'effet d'une surchauffe. Le plat de cuisson du bain-marie ne peut entrer en contact direct avec le fond de la casserole remplie d'eau chaude. N'utiliser que des ustensiles de cuisson résistants à la chaleur.



IMPORTANTES CONSIGNES DE SÉCURITÉ

LIRE ET CONSERVER CES INSTRUCTIONS

AVERTISSEMENT

DANGER DE BLESSURE

Un plat de cuisson peut « sauter » ou « rebondir » à cause du liquide emprisonné entre le dessous du plat et la zone de cuisson. Toujours garder la zone de cuisson et le dessous des plats de cuisson secs.

Avertissements de la Proposition 65 de l'État de la Californie

AVERTISSEMENT

Ce produit contient des produits chimiques connus de l'État de la Californie pour causer le cancer, des anomalies congénitales ou d'autres problèmes de reproduction.

Remarque : AVIS DE SÉCURITÉ IMPORTANT : En application de la loi californienne concernant la salubrité de l'eau et la protection contre les substances chimiques (« California Safe Drinking Water and Toxic Enforcement Act »), le gouverneur de Californie est tenu de publier une liste des substances reconnues par l'État de Californie comme étant cancérigènes ou pouvant causer des malformations ou présenter un danger pour la reproduction, et les entreprises sont tenues d'avertir les consommateurs des risques potentiels d'exposition à de telles substances. La combustion de gaz combustible pour la cuisson et l'élimination de résidus pendant l'autonettoyage peuvent générer de faibles quantités de monoxyde de carbone. Dans les fours équipés du Nettoyage Auto, de faibles quantités de formaldéhyde peuvent se dégager lors de l'élimination des salissures pendant les quelques premiers cycles autonettoyants. La Californie classe le formaldéhyde parmi les produits potentiellement cancérigènes. Le monoxyde de carbone est une cause possible de reprotoxicité. Il est possible de réduire l'exposition à ces substances en :

1. assurant une bonne ventilation lors de la cuisson au gaz;
2. assurant une bonne ventilation pendant et immédiatement après le cycle d'autonettoyage du four;
3. utilisant l'unité selon les instructions de ce manuel.

Sécurité alimentaire

ATTENTION

Pour préserver la sécurité des aliments, suivre ces recommandations :

- a. NE PAS utiliser tiroir chauffant pour faire chauffer des aliments froids. Il est sécuritaire d'utiliser le tiroir pour y faire croustiller des craquelins, des chips ou des

céréales sèches et garder des assiettes au chaud.

- b. Veiller à garder la nourriture à la bonne température. L'USDA recommande de maintenir les aliments chauds à 140 °F (60 °C) ou plus.
 - c. NE PAS maintenir des aliments au chaud pendant plus d'une heure.
-

Causes de pannes

▲ AVERTISSEMENT

RISQUE DE BLESSURES

Faire attention en ouvrant l'appareil. En se plaçant sur le côté, ouvrir la porte lentement et légèrement pour laisser l'air chaud et/ou la vapeur s'échapper du four. Éloigner le visage de l'ouverture et s'assurer qu'aucun enfant ou animal ne se trouve près de l'appareil. Une fois l'air chaud et/ou la vapeur sortis, continuer la cuisson. Ne pas laisser les portes ouvertes à moins que l'on soit en train de cuisiner ou de nettoyer. Ne pas laisser les portes ouvertes sans surveillance.

AVIS

- NE PAS déposer d'accessoires ou d'objets, tels que du papier d'aluminium, du papier sulfurisé, des doublures de protection ou des plats de cuisson sur la sole du four. Cela entraîne une accumulation de chaleur. Les temps de cuisson et de rôtissage ne seront alors plus exacts et cela risque d'endommager l'émail.
 - Le papier d'aluminium, dans le compartiment de cuisson, ne doit pas entrer en contact avec la porte vitrée du four. Cela pourrait tacher le verre de manière permanente.
 - Le papier d'aluminium et le plastique fondent dans les zones de cuisson chaudes. Un film protecteur pour cuisinière ne convient pas à cette table de cuisson.
 - Ne pas cuire d'aliments sur une table de cuisson cassée. Les solutions nettoyantes et les éclaboussures peuvent entraîner un risque de choc électrique.
 - Les plats de cuisson dont le dessous est rugueux peuvent rayer la surface en vitrocéramique.
 - Le sel, le sucre et les grains de sable rayent la surface en vitrocéramique. Ne jamais utiliser la table de cuisson comme surface de travail ou pour y déposer des objets.
 - Éviter de chauffer des casseroles ou des plats vides.
 - Des objets durs ou tranchants qui tombent sur la table de cuisson risquent de l'endommager.
 - Le sucre et les produits contenant du sucre peuvent endommager la table de cuisson. Éliminer immédiatement les éclaboussures provoquées par ces produits avec un grattoir à vitre, une fois que la table à cuisson a eu le temps de refroidir.
 - Ne jamais déposer des casseroles ou des plats sur le bandeau de commande ou le cadre du four. Cela peut causer des dommages.
 - Toujours ALLUMER la hotte lors de la cuisson à température élevée ou pour flamber certains plats (c.-à-d., crêpes Suzette, cerises Jubilé, steak au poivre flambé).
- Lors de la cuisson de tartes aux fruits particulièrement juteuses, ne pas trop remplir le moule à tarte. Le jus de fruit qui s'égoutte d'un moule laisse des taches qui ne peuvent pas s'enlever. Si possible, utiliser la poêle universelle profonde.
 - Si le joint est très sale, la porte de l'appareil ne se ferme plus correctement quand le four est en opération. La façade des unités adjacentes pourrait être endommagée. Toujours garder le joint propre.
 - Les décolorations métalliques irisées de la surface en vitrocéramique proviennent de la mauvaise utilisation d'agents nettoyants et d'abrasions dues aux plats de cuisson.
 - Ne pas utiliser la porte de l'appareil comme siège, étagère ou surface de travail. Ne pas placer de plats de cuisson ou des accessoires sur la porte de l'appareil.
 - En fonction du type d'appareil, les accessoires peuvent rayer la porte vitrée lors de la fermeture. Toujours glisser les accessoires dans le compartiment de cuisson, aussi loin que possible.
 - Ne pas porter ou tenir l'appareil par la porte. La poignée du four ne peut pas supporter le poids de l'appareil et pourrait casser.

Protection de l'environnement

Votre nouvel appareil est écoénergétique. Vous pouvez trouver ici des conseils pour économiser encore plus d'énergie lors de l'utilisation de l'appareil et apprendre comment en disposer convenablement.

Déballer l'appareil et jeter l'emballage dans le respect de l'environnement.

Économie d'énergie

- Ne préchauffer l'appareil que si la recette ou les tableaux des instructions d'utilisation le précisent.
- Utiliser des moules à gâteaux foncés, peints en noir ou émaillés. Ils absorbent particulièrement bien la chaleur.
- Ouvrir la porte de l'appareil aussi peu que possible lorsque le four fonctionne.
- Il vaut mieux cuire plusieurs gâteaux les uns après les autres. Le compartiment de cuisson est encore chaud. Cela réduit le temps de cuisson du deuxième gâteau. Il est possible de placer deux moules à gâteaux l'un à côté de l'autre dans le compartiment de cuisson.
- Pour des temps de cuisson plus longs, vous pouvez éteindre l'élément 10 minutes avant la fin du temps de cuisson et utiliser la chaleur résiduelle pour finir la cuisson.
- Toujours placer un couvercle adéquat sur les ustensiles de cuisson. La cuisson avec des ustensiles non recouverts augmente considérablement la consommation d'énergie. Utiliser un couvercle en verre pour voir, sans devoir soulever le couvercle.
- Utiliser des ustensiles de cuisson à base solide et plate. Les bases bombées augmentent la consommation d'énergie.
- Le diamètre de la base de la casserole doit correspondre à la taille de l'élément. Sinon, de l'énergie sera gaspillée.
Remarque : le fabricant indique habituellement le diamètre supérieur de l'ustensile de cuisson. Il est normalement plus élevé que le diamètre de la base de l'ustensile.
- Choisissez des ustensiles de cuisson d'un format approprié pour la quantité de nourriture à cuire. Une casserole à moitié pleine utilisera beaucoup d'énergie.
- Utiliser une petite quantité d'eau pour cuisiner. Cela représente une économie d'énergie, tout en permettant aux légumes de conserver une plus grande part de leurs vitamines et minéraux.
- Sélectionner un niveau de puissance plus faible.
- En cuisinant, veiller à ce que l'aération soit suffisante pour que la hotte puisse fonctionner efficacement et silencieusement.
- Le ventilateur s'adapte à l'intensité des vapeurs de cuisson dégagées. N'utiliser que le mode élevé, si nécessaire. Un ventilateur à un niveau plus bas économise de l'énergie.
- En cas de vapeurs de cuisson importantes, sélectionner assez tôt un niveau de ventilation plus

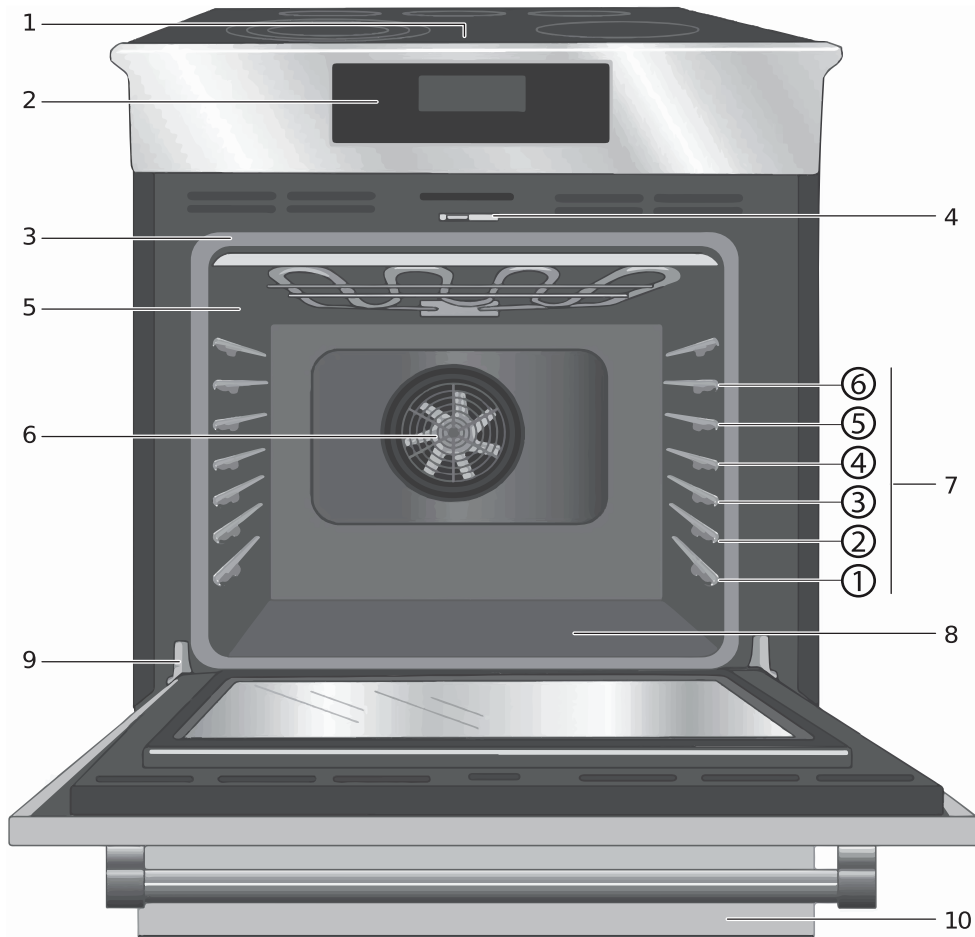
élevé. Si des vapeurs de cuisson déjà répandues dans la cuisine, la hotte devra fonctionner plus longtemps.

- Éteindre la hotte lorsqu'elle n'est plus nécessaire.
- Éteindre la lumière lorsqu'elle n'est plus nécessaire.
- Nettoyer et changer le filtre à intervalles donnés pour améliorer l'efficacité de la ventilation et éviter un risque d'incendie.

Mise en route

Pièces

Votre appareil peut être légèrement différent.



1	Bandeau de commande de la table de cuisson
2	Bandeau de commande du four
3	Joint d'étanchéité de porte
4	Loquet de porte
5	Prise de sonde
6	Ventilateur de convection
7	Guides de positionnement de grilles avec 6 positions
8	Sole du four
9	Charnière de porte
10	Tiroir chauffant

Caractéristiques de la cuisinière

Rétention de la chaleur

La surface de cuisson retient la chaleur et demeure chaude après que les éléments ont été éteints. La chaleur ainsi retenue peut être utilisée pour maintenir les plats à la température de service pendant un moment. Si un voyant lumineux de surface chaude est allumé, faire attention en travaillant ou en nettoyant autour de la table de cuisson, puisque celle-ci est encore chaude.

Indicateur de surface chaude

La table de cuisson affiche un voyant lumineux indicateur de chaleur pour signaler que la table de cuisson est trop chaude pour être touchée. Si un voyant lumineux de surface chaude est allumé, Si un voyant de surface chaude est allumé, faire attention en travaillant ou en nettoyant autour de la table de cuisson, puisque celle-ci est encore chaude.

Caractéristiques du four

Ventilateur de refroidissement

Le ventilateur de refroidissement tourne pendant tous les modes de cuisson. On peut l'entendre fonctionner et sentir parfois de l'air chaud s'échapper de l'évent du four. Le ventilateur peut également fonctionner une fois le four éteint.

Ventilateur à convection

Le ventilateur à convection fonctionne pendant tous les modes de cuisson à convection. Lorsque le four est en mode de cuisson par convection, le ventilateur s'arrête automatiquement lorsque la porte est ouverte. Il fonctionne également pendant l'autonettoyage.

Sole du four

La sole du four abrite l'élément chauffant inférieur. Ceci permet de protéger l'élément des dommages et des déversements.

Conseil : ne pas placer les aliments directement sur la sole du four.

▲ AVERTISSEMENT

Ne pas utiliser de papier aluminium ou de doublure de protection pour revêtir toute partie de l'appareil, et en particulier le fond du four. L'utilisation de ces doublures peut entraîner un risque de choc électrique ou d'incendie.

Évent du four

L'évent du four se trouve au bas de l'unité. De l'air chaud peut s'échapper de l'évent avant, pendant et après la cuisson. Il est normal de voir de la vapeur s'échapper de l'évent et de la condensation peut se former à cet endroit. Cette zone peut devenir très chaude pendant l'utilisation du four. Ne pas obstruer l'évent car il est indispensable à la bonne circulation de l'air.

Extinction automatique

Le four s'éteindra automatiquement après 24 heures.

Autonettoyage

Le four est doté d'une fonction d'autonettoyage qui élimine le travail qu'exige le nettoyage du four à la main.

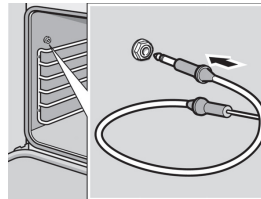
Indicateurs et autres caractéristiques

Réglages par défaut – Les modes de cuisson sélectionnent automatiquement la température par défaut. Celle-ci peut être modifiée lorsqu'une autre température est indiquée.

Codes chiffrés E – Ces codes s'affichent lorsque la cuisinière rencontre un problème.

Mode Veille – Le mode Veille signale que le four est alimenté en électricité mais qu'aucun mode de cuisson ou qu'aucune minuterie ne sont en service.

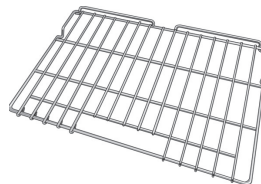
Accessoires



Sonde

La sonde peut servir à déterminer le niveau de cuisson interne ou la température finale de nombreux aliments, et en particulier les viandes et la volaille.

Ne pas nettoyer dans le four autonettoyant ni mettre au lave-vaisselle.



Grille plate

Utiliser pour la plupart des plats. Il est possible d'utiliser plusieurs grilles avec certains modes de cuisson.

Ne pas nettoyer dans le four autonettoyant.



Grille télescopique (certains modèles)

Des grilles de 30 po (76 cm) supplémentaires sont disponibles sur e-Shop : #HEZTR301

Utiliser cette grille pour la cuisson de plats plus lourds afin de faciliter l'insertion des plats dans le four. Vérifier la cuisson des aliments et retirer les plats du four lorsque la cuisson est terminée.

Ne pas nettoyer dans le four autonettoyant.



Plat à rôtir (disponible sur e-Shop)

**Plat : #00449757
Grille : #00449756**

À utiliser pour griller et rôtir.

Ne pas nettoyer dans le four autonettoyant.

Mise en place de la grille

▲ ATTENTION

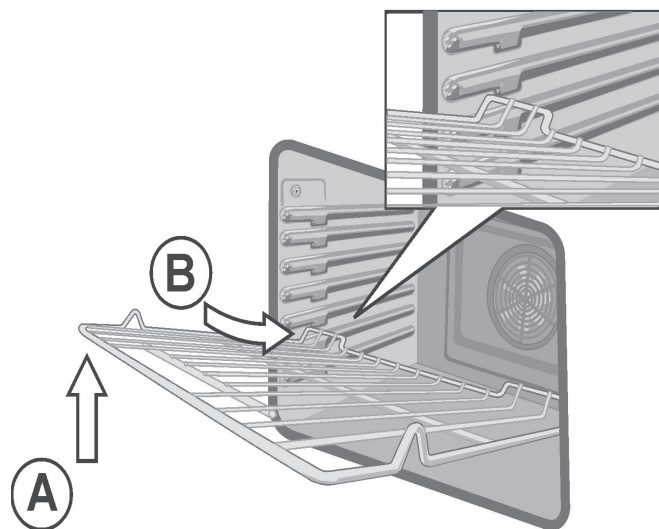
- Pour éviter les brûlures, placer les grilles dans la position désirée avant de mettre le four en marche. Toujours utiliser des gants isolants lorsque le four est chaud. Si vous devez déplacer les grilles lorsque le four est chaud, ne pas laisser les gants isolants entrer en contact avec les éléments chauffants.
- Agir avec prudence en retirant les grilles de la position la plus basse pour éviter d'entrer en contact avec la porte du four chaude.
- Pour éviter toute blessure ou endommagement de l'appareil, s'assurer que les grilles sont installées conformément à la notice d'installation et non à l'envers ou sens dessus dessous.

Grille plate

La grille est conçue avec une butée, de manière à ce qu'elle s'arrête avant de sortir complètement du four et qu'elle ne bascule pas.

Pour insérer une grille plate dans le four :

1. Saisir fermement la grille des deux côtés.
2. Installer la grille (voir illustration).



3. Incliner la grille vers le haut pour engager la butée dans la glissière.
4. Ramener la grille à l'horizontale et la pousser complètement.

La grille doit être droite, pas de travers.

Pour retirer la grille plate du four :

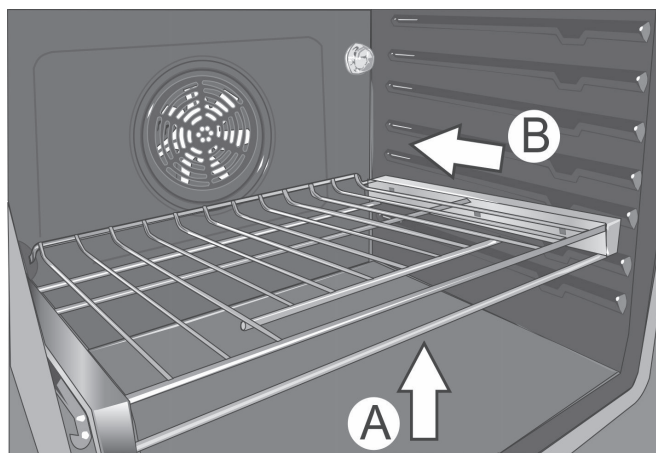
1. Saisir fermement la grille des deux côtés et tirer vers soi.
2. Lorsque la butée est atteinte, incliner la grille vers le haut façon et la tirer complètement hors du four.

Grille télescopique

Insérer la grille télescopique dans le four :

1. Faire glisser la grille de manière régulière jusqu'à ce que l'arrière de la grille soit à environ 2 po (5 cm) de la paroi arrière du four.
2. Incliner la partie avant de la grille d'environ $\frac{3}{4}$ po (2 cm) (A) et continuer de l'enfoncer toute entière jusqu'au fond du four (B).

Remarque : Éviter de percuter la lentille de protection de l'éclairage du four en enfonçant la grille dans la cavité pour la mettre en place.



3. L'arrière de la grille télescopique se met en place en se calant.
4. Tirer la grille vers l'avant pour engager sa partie inférieure sur la partie arrière du guide de positionnement de grille.
5. Abaisser la partie avant de la grille pour terminer sa mise en place sur le guide de grille. Lorsque correctement positionnée, la grille doit être stable au toucher.
6. Faire glisser la partie amovible de la grille télescopique plusieurs fois d'avant en arrière pour vérifier qu'elle peut se déplacer librement et que la partie non amovible de la grille télescopique est bien fixée.

▲ ATTENTION

Pour éviter toute possibilité de blessure ou d'endommagement de l'appareil, s'assurer que la grille télescopique est installée exactement suivant les instructions de montage et non à l'envers ou sens dessus dessous.

Retirer la grille télescopique du four :

1. Soulever la partie avant de la grille télescopique d'environ ½ po (1,3 cm) et pousser la grille d'environ ¾ po (2 cm) vers le fond. Cela permet de dégager la grille du guide de positionnement de grille.
2. Soulever la partie arrière de la grille télescopique de manière qu'elle se dégage du guide de positionnement de grille et tirer doucement la grille hors du four.

Remarque : Prendre soin d'éviter de tirer la grille de manière irrégulière car elle aura tendance à se coincer et à buter contre les parois du four.

Avant la première utilisation de l'appareil

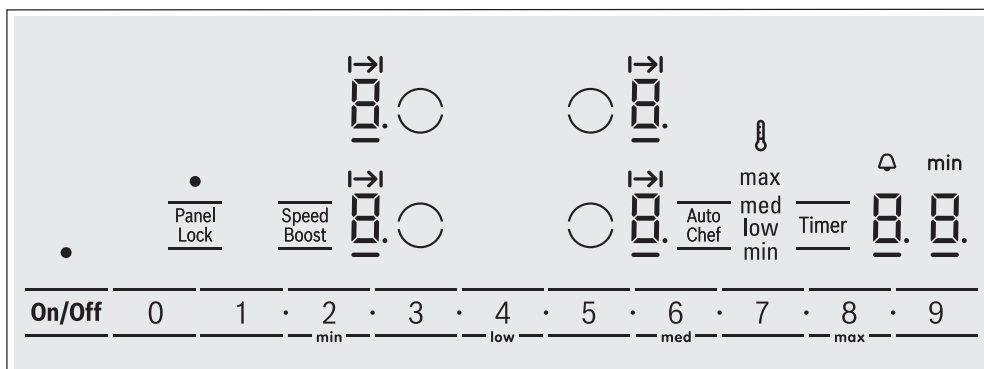
- Retirer tout matériau d'emballage et toute étiquette de l'appareil.
- Avant l'utilisation, le four doit être correctement installé par un technicien qualifié.

- Retirez tout matériau d'emballage à l'intérieur du four et du tiroir.
- Essuyer le four froid à l'aide d'un chiffon propre et humide et sécher.
- Appliquer du produit nettoyant pour table de cuisson en vitrocéramique sur la table de cuisson en vitrocéramique. Polir avec un chiffon propre. Consulter la section *Nettoyage et entretien*.
- Il peut y avoir une légère odeur aux premières utilisations. Ceci est normal et disparaîtra.
- Pour obtenir des résultats de cuisson optimaux, utiliser des plats de cuisson au four adéquats.
- La surface de cuisson retient la chaleur et demeure chaude après que les éléments ont été éteints.
- Lire et comprendre toutes les précautions de sécurité et le manuel d'utilisation et d'entretien avant toute utilisation.

Faire connaissance avec l'appareil

Cette section décrit le panneau des touches, les éléments chauffants et les affichages. Ces instructions s'appliquent à diverses tables de cuisson.

Panneau de commande



Commandes	
On/Off (Marche/arrêt)	Interrupteur principal
○	Sélectionnez l'élément de cuisson
0 1 • 2 • ... 8 • 9	Zone des réglages
Panel Lock (Verrouillage du panneau)	Verrouillage du panneau pour la sécurité des enfants / Protection contre l'essuyage
Speed Boost (Haute vitesse)	Fonction SpeedBoost ^{MD} (Haute vitesse)
Auto Chef	Fonction de friture AutoChef ^{MD}
Timer (Minuterie)	Fonctions de minuterie
min / low / med / max	Sélectionnez le niveau de puissance pour AutoChef ^{MD}

Indicateurs	
○	Table de cuisson prête
●	Fonction indiquée active
→	Temps de cuisson réglé
—	Indique l'élément sélectionné
00	Valeur de minuterie
1-9	Niveau de puissance
H/h	Chaleur résiduelle
b	Fonction SpeedBoost ^{MD} (Haute vitesse)
R	Fonction AutoChef ^{MD}
min	Affichage de l'heure
⌋	Température AutoChef ^{MD}
max, moy, bas, min	Réglages de température
⏰ min	Fonction de minuterie

Surfaces de commande

Lorsque vous touchez un symbole, la fonction respective sera activée.

Remarques

- Quand vous touchez plusieurs symboles à la fois, les réglages ne changeront pas. Cela vous permet de

nettoyer la zone de commande tactile suite à un déversement d'aliments.

- Conservez toujours la zone de commande tactile propre et sèche. L'humidité et la saleté peuvent affecter le fonctionnement.

Les éléments

Élément

○ Élément simple

Utilisez toujours des ustensiles de cuisson de la taille appropriée.

N'utiliser que des articles convenant à la cuisson à induction; voir la section « Cuisson à induction »

Indicateur de chaleur résiduelle

La table de cuisson est dotée d'un indicateur de chaleur résiduelle pour chaque élément. Cela indique que la surface de la table de cuisson est encore chaude. Ne pas toucher la surface de la table de cuisson pendant que l'indicateur de chaleur résiduelle est allumé.

En fonction de la quantité de chaleur résiduelle, les éléments suivants s'affichent :

- Affichage **H** : température élevée
- Affichage **h** : température faible

Si le plat de cuisson est déplacé de l'élément pendant la cuisson, l'indicateur de chaleur résiduelle et le réglage de chauffage sélectionné clignotent en alternance.


Quand l'élément est éteint, l'indicateur de chaleur résiduelle s'allume. Même après avoir éteint la table de cuisson, l'indicateur de chaleur résiduelle restera allumé tant que l'élément n'aura pas refroidi.

Fonctionnement

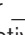
Interrupteur d'alimentation principal

Utilisez l'interrupteur principal pour activer les circuits électroniques du panneau de commande. La table de cuisson est maintenant prête à être utilisée.

Mise en marche de la table de cuisson

Touchez la touche **On/Off** (Marche/arrêt) jusqu'à ce que l'indicateur au-dessus de l'interrupteur principal et les indicateurs de niveau de température  à côté des éléments chauffants s'allument.

Désactivation de la table de cuisson

Touchez la touche **On/Off**. L'indicateur  disparaîtra. La table de cuisson est maintenant désactivée. Les indicateurs de chaleur résiduelle resteront allumés jusqu'à ce que les éléments soient suffisamment refroidis.

Remarque : La table de cuisson s'éteindra automatiquement lorsque tous les éléments sont désactivés pendant plus de 20 secondes.

L'indicateur de chaleur résiduelle demeurera allumé jusqu'à ce que les éléments soient suffisamment refroidis. **H/h** sera affiché à côté du symbole d'élément correspondant.

Allumage de la table de cuisson



Ce chapitre explique comment procéder au réglage des éléments chauffants. Le tableau ci-après répertorie les réglages de chaleur pour différents aliments.

Réglage de l'élément

Sélectionnez le niveau de chauffage souhaité avec les touches numérotées 1 à 9.




Niveau de chaleur 1 = puissance minimum

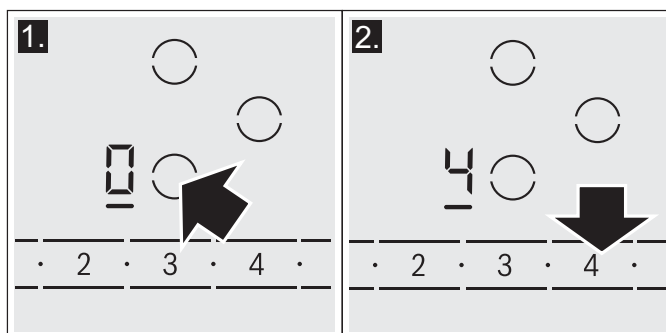
Niveau de chaleur 9 = puissance maximum

Chaque réglage de chaleur a un niveau intermédiaire. Ce niveau est indiqué par  dans l'écran de l'élément et est réglé en touchant les symboles  entre les touches numérotées.

Sélection du niveau de chaleur

La table de cuisson doit être allumée.

1. Sélectionnez l'élément souhaité en touchant le symbole  sur le panneau de commande. Sur l'écran de l'élément,  et l'indicateur  s'allument.
2. Dans les 10 secondes qui suivent, réglez le niveau de puissance souhaité avec les touches numérotées.



3. Pour modifier le niveau de puissance, sélectionnez l'élément et réglez le niveau de puissance souhaité avec les touches numérotées. Pour régler un niveau intermédiaire, touchez les symboles • entre les touches numérotées.

Désactivation de l'élément

Choisissez l'élément et réglez le niveau de chaleur à 0. L'élément sera désactivé et l'indicateur de chaleur résiduelle s'allumera.

Remarques

- Si aucun plat de cuisson ne se trouve sur la zone d'induction, l'affichage du réglage de température clignote. Après un moment, la zone de cuisson s'éteindra d'elle-même.
- Si le plat de cuisson a été placé sur la zone de cuisson avant que la table de cuisson ne soit allumée, il sera détecté dans les 20 secondes suivant l'allumage de l'interrupteur principal et la zone de cuisson sera automatiquement sélectionnée. Une fois détectée, réglez le niveau de puissance dans les 20 secondes, sinon la zone de cuisson s'éteindra.

Même si plusieurs ustensiles se trouvent sur la table de cuisson lorsqu'elle est allumée, seul un seul d'entre eux sera automatiquement sélectionné.

Tableau des réglages

Le tableau qui suit indique certains exemples. La durée de cuisson varie en fonction du type d'aliment, de son poids et de sa qualité. Des variations sont donc possibles.

	Niveaux de puissance
Fondre	
chocolat	1.
beurre	1-2
Chauffer	
légumes congelés (p. ex., épinards)	2.-3.
bouillon	7-8
soupe épaisse	1.-2.
lait**	1-2
Mijoter	
sauce délicate, p. ex., sauce béchamel	4-5
sauce à spaghetti	2-3
bœuf braisé	4-5
poisson**	4-5

Recommandations

- Remuer occasionnellement en chauffant de la purée, des veloutés et des soupes épaisses.
- Régler la chaleur à 8-9 pour le préchauffage.
- Lors d'une cuisson sous couvercle, baisser le niveau de chaleur aussitôt que de la vapeur s'échappe entre le couvercle et la casserole.
- Après la cuisson, garder le couvercle sur l'ustensile de cuisson jusqu'au moment de servir.
- Pour une cuisson à l'autocuiseur, suivre les instructions du fabricant.
- Ne pas cuire la nourriture trop longtemps, car les aliments risquent de perdre plus de nutriments que nécessaire. La minuterie de cuisine peut être utilisée pour régler un temps de cuisson optimal.
- Pour des résultats de cuisson plus sains, l'huile et le gras ne devraient pas chauffer jusqu'à ce qu'ils fument.
- Pour brunir la nourriture, frire successivement de petites portions.
- Les ustensiles de cuisson peuvent devenir très chauds pendant la cuisson des aliments. Nous recommandons l'utilisation de gants de cuisine.
- Des recommandations pour cuisiner tout en économisant de l'énergie figurent à la section « Protéger l'environnement ».

▲ ATTENTION

Au cours de la cuisson, les ragoûts ou repas liquides, comme les soupes, sauces ou boissons, peuvent chauffer très rapidement et déborder ou causer des dégâts. Pour cette raison, nous vous recommandons de brasser continuellement la nourriture afin de la chauffer graduellement à un niveau de puissance approprié.

Niveaux de puissance

Cuisson

riz (avec le double de la quantité d'eau)	2-3
pommes de terre bouillies avec leur peau avec 1 à 2 tasses (125 ml à 250 ml) d'eau	4-5
pommes de terre bouillies dans 1 à 2 tasses (125 ml à 250 ml) d'eau	4-5
légumes frais avec 1 à 2 tasses (125 ml à 250 ml) d'eau	2-3.
légumes congelés avec 1 à 2 tasses (125 ml à 250 ml) d'eau	3.-4.
pâtes (2-4 pintes [1,1 L-2,2 L] d'eau)*	6-7
pouding**	1-2
céréales	2-3

Frïre

côtelette de porc	5.-6.
poitrine de poulet	5-6
bacon	6-7
œufs	5-6
poisson	5-6
crêpes	6-7

Grande friture** (dans 1 à 2 pintes [0,6 L-1,1 L] d'huile)

aliments surgelés, p. ex., croquettes de poulet (225 g par portion)	8-9
autres, p. ex., beignes (225 g par portion)	4.-5.

Garder au chaud

sauce tomate	1.
--------------	----

* cuisson continue sans couvercle

** sans couvercle

Durée de cuisson

Vous pouvez utiliser la fonction de minuterie pour établir une durée de cuisson pour n'importe quel élément. Une fois la durée de cuisson écoulée, l'élément s'éteindra automatiquement.

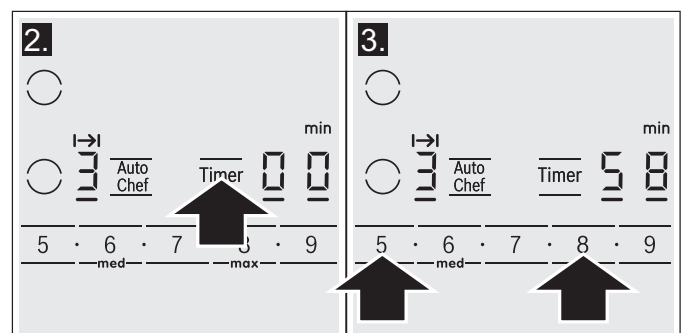
⚠ ATTENTION

- Lorsque la minuterie est en utilisation, gardez toujours la table de cuisson sous surveillance et ne laissez rien brûler ou déborder. Des débordements peuvent causer de la fumée et les aliments et les huiles peuvent prendre feu s'ils sont laissés sans surveillance à des températures élevées.
- Cette fonction ne devrait pas être utilisée pour des durées prolongées, surtout à des températures élevées.
- Assurez-vous d'éteindre la table de cuisson avec l'interrupteur principal après chaque utilisation.

Réglage du temps de cuisson

La table de cuisson doit être allumée.

1. Sélectionnez l'élément souhaité et le niveau de puissance.
2. Touchez la touche **Timer** (Minuterie). L'indicateur I→I s'allume dans l'écran de l'élément et 00 est affiché dans l'écran de la minuterie.
3. Dans les 10 secondes qui suivent, réglez le temps souhaité avec les touches numérotées.



La minuterie lance le compte à rebours après quelques secondes.

AutoChef^{MD}




Si un temps de cuisson a été programmé pour un élément et que la fonction AutoChef^{MD} a été activée, le temps de cuisson commencera à s'écouler seulement lorsque le réglage de température choisi sera atteint.

Modification ou annulation du temps de cuisson

1. Sélectionnez l'élément souhaité et touchez la touche **Timer** (Minuterie).
2. Réglez le temps de cuisson avec les touches numérotées. Pour annuler le temps de cuisson réglé, réglez la minuterie sur 00.

Une fois que le temps de cuisson s'est écoulé

L'élément s'éteint une fois que le temps de cuisson réglé s'est écoulé. Un signal sonore se fera entendre.

L'indicateur  apparaît à l'écran de l'élément et la minuterie affiche  pendant 10 secondes. L'indicateur  à l'écran de l'élément reste allumé.

Effleurer la touche **Timer** (Minuterie) pour éteindre les indicateurs et les signaux sonores.

Remarques


- Pour régler un temps de cuisson inférieur à 10 minutes, effleurez toujours **0** avant de sélectionner la valeur souhaitée.
- Si vous avez réglé un temps de cuisson pour plusieurs foyers, l'indication de temps du foyer sélectionné apparaît toujours dans l'affichage de la minuterie.
- Pour connaître le temps de cuisson restant, sélectionnez le foyer correspondant.
- Vous pouvez régler un temps de cuisson de jusqu'à **99** minutes.

Minuterie automatique

Grâce à cette fonction, vous pouvez choisir un temps de cuisson pour tous les éléments. Une fois qu'un élément est activé, le temps réglé commence à s'écouler. Une fois la durée de cuisson écoulée, l'élément s'éteindra automatiquement.

Les instructions pour activer la minuterie automatique se trouvent à la section → "Réglages de base"

Remarque : Le temps de cuisson peut être modifié ou annulé pour n'importe quel élément :

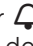

Sélectionnez l'élément souhaité et touchez deux fois la touche **Timer** (Minuterie). Le temps de cuisson restant pour l'élément est affiché. Réglez le temps de cuisson avec les touches numérotées, ou désactivez-le en réglant la valeur de minuterie sur .

Minuterie de cuisine


La minuterie peut être programmée pour des périodes allant jusqu'à 99 minutes. Elle est également indépendante de tous les autres réglages. Vous pouvez aussi utiliser la minuterie de cuisine lorsque la table de cuisson est désactivée ou verrouillée.


Cette fonction n'éteint pas automatiquement un élément.

Réglage de la minuterie de cuisine


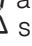
1. Touchez la touche **Timer** (Minuterie) jusqu'à ce que l'indicateur  s'allume.  et **min** apparaît sur l'affichage de minuterie.
2. Réglez le temps souhaité avec les touches numérotées.
La minuterie lance le compte à rebours après quelques secondes.

Modification ou annulation du temps

Touchez la touche **Timer** (Minuterie) à plusieurs reprises jusqu'à ce que l'indicateur  s'allume.

Réglez le temps souhaité avec les touches numérotées, ou choisissez  pour effacer le temps programmé.

Une fois que le temps s'est écoulé,

un signal sonore retentit.  apparaît sur l'affichage de la minuterie et l'indicateur  s'allume. L'affichage disparaît après 10 secondes.

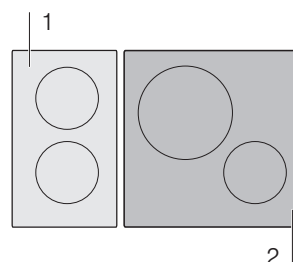
Lorsque vous appuyez sur la touche **Timer** (Minuterie), les affichages s'éteignent et le signal sonore cesse.

Fonction SpeedBoost®

La fonction SpeedBoost® peut être utilisée pour réchauffer une grande quantité d'eau plus rapidement qu'en utilisant le niveau de chaleur **9**.

Limites d'utilisation

Cette fonction peut toujours être activée pour un foyer, si l'autre foyer du même groupe n'est pas allumé (voir l'illustration). Sinon **b** et **9** clignotent à l'écran du foyer souhaité; ensuite la position de cuisson **9** est automatiquement réglée, sans activer la fonction.



Activation

1. Sélectionnez un élément.
2. Touchez la touche **Speed Boost** (Haute vitesse). **b** s'allume sur l'écran.

La fonction est activée.

Désactivation

1. Sélectionnez l'élément sur lequel la fonction SpeedBoost^{MD} (Haute vitesse) est activée.
2. Touchez la touche **Speed Boost** (Haute vitesse). **b** s'éteint à l'écran et l'élément revient au niveau de chaleur **9**.

La fonction est désactivée.

Remarque : Dans certaines circonstances, la fonction peut être désactivée automatiquement pour protéger les composants électroniques internes de la table de cuisson.

AutoChef®

Lorsque vous utilisez AutoChef® pour faire fonctionner l'élément chauffant, un capteur contrôle la température de la casserole.

Avantages lors du rôtissage

- L'élément ne chauffe que pour maintenir la température. Cela permet d'économiser de l'énergie et d'éviter que l'huile ou le gras ne surchauffent.
- La fonction AutoChef® émet un bip sonore lorsque la poêle à frire vide atteint la température optimale pour y ajouter l'huile et la nourriture.

▲ ATTENTION

- Ne jamais laisser de l'huile ou du gras cuire sans surveillance.
 - Placer la casserole du système au centre de l'élément chauffant. Vérifier que le fond de la casserole est de diamètre approprié.
 - Ne pas couvrir la casserole. La régulation automatique ne fonctionnera pas. Une grille anti-éclaboussure peut être utilisée sans affecter la régulation automatique.
 - Utiliser seulement du gras ou de l'huile convenant à la friture. Pour le beurre, la margarine, l'huile d'olive ou le saindoux, sélectionner le réglage de température **min**.
 - AutoChef® ne convient pas à l'ébullition.
-

Casserolles convenant à AutoChef®

Des poêles à frire à utiliser avec AutoChef® sont offertes en accessoires optionnels. Utiliser seulement des poêles à frire compatibles avec AutoChef®. Il est possible de se procurer nos poêles de système dans des magasins spécialisés ou par le biais de notre service d'assistance technique. Toujours indiquer le code de référence correspondant.

- **HEZ390210** (Petit)
- **HEZ390220** (Moyen)
- **HEZ390230** (Grand)

Les poêles à frire sont antiadhésives, elles ne nécessitent donc que très peu d'huile pour la friture.

▲ ATTENTION

- La fonction AutoChef® a été configurée expressément pour les poêles à frire de ce type.
 - D'autres types de poêles à frire pourraient surchauffer. La température peut être réglée à un niveau plus élevé ou plus faible. Essayer d'abord un réglage à faible température et ajuster ensuite la température en fonction de vos besoins.
 - Vérifier que le diamètre de la base de la poêle à frire correspond à la taille de l'élément. Placer la casserole au centre de l'élément.
 - Si un type de casserole différent est utilisé, l'essayer d'abord au niveau de friture le plus faible et ajuster ensuite le réglage au besoin. Les casseroles peuvent surchauffer.
-

Niveaux de friture

Niveau de puissance	Température	Convient pour
max	élevée	galettes de pommes de terre, pommes de terre sautées et steak de bœuf saignant
med (moy)	moyen-élevé	produits congelés fins, tels que tourtes congelées, côtelettes (porc ou poulet), légumes
low (faible)	moyen-faible	aliments frits pais, tels que hamburgers, saucisses, poissons
min	low (faible)	omelettes avec beurre, huile d'olive ou margarine

Tableau pour la friture

Le tableau indique le réglage approprié pour chaque type de nourriture. Le temps de friture peut varier en fonction du type, du poids, de la taille et de la qualité de la nourriture.

Le réglage de température varie en fonction du type de poêle à frire qui est utilisé.

Faites chauffer préalablement la poêle et ajoutez l'huile et la nourriture une fois que le signal sonore a retenti.

	Réglage de température	Temps total de friture à partir du signal (min)
Viande		
Côtelette, porc ou poulet, nature ou panée	med (moy)	6-10
Filet	med (moy)	6-10
Côtelettes*	low (faible)	10-15
Cordon bleu*	med (moy)	10-15
Steak, saignant 1 po (3 cm) d'épaisseur	max	6-8
Steak, à point ou bien cuit 1 po (2,5 cm) d'épaisseur	med (moy)	8-12
Poitrine de volaille 2 cm (¾ po) d'épaisseur*	low (faible)	10-20
Saucisses, précuites ou crues*	low (faible)	8-20
Hamburger, boulettes	low (faible)	6-30
Pain de viande	min	6-9
Gyros	med (moy)	7-12
Viande hachée	med (moy)	6-10
Bacon	min	5-8
Poisson		
Poisson, frit, entier, par ex. truite	low (faible)	10-20
Filets de poisson avec ou sans panure	low - med (faible-moy)	10-20
Crevettes	med (moy)	4-8
Plats aux œufs		
Crêpes**	max	-
Omelette**	min	3-6
Oeufs frits	min - med (min-moy)	2-6
Oeufs brouillés	min	4-9
Pain doré**	low (faible)	4-8
Pommes de terre		
Pommes de terre sautées cuites avec la peau	max	6-12
Frites; à partir de patates crues	med (moy)	15-25
Beignets de pommes de terre**	max	2,5-3,5
Pommes de terre glacées	low (faible)	15-20
Légumes		
Ail/oignons	min	2-10
Courge, aubergine	low (faible)	4-12
Poivrons verts, asperges	low (faible)	4-15
Champignons	med (moy)	10-15

* Retourner plusieurs fois.

** Temps de cuisson total par portion. Frire de manière consécutive.

	Réglage de température	Temps total de friture à partir du signal (min)
--	------------------------	---

Produits congelés

Côtelette, porc ou poulet	med (moy)	15-20
Poitrine de volaille*	med (moy)	10-30
Croquettes de poulet	med (moy)	10-15
Filets de poisson avec ou sans panure	low (faible)	10-20
Bâtonnets de poisson	med (moy)	8-12
Frites	max	4-6
Plats sautés, p. ex. légumes sautés au poulet	low (faible)	6-10
Rouleaux de printemps	med (moy)	10-30

Divers



Mets secs requérant un ajout d'eau, p. ex. pâtes	min	5-10
Croûtons	low (faible)	6-10
Amandes/noix/pignons de pin	med (moy)	3-15

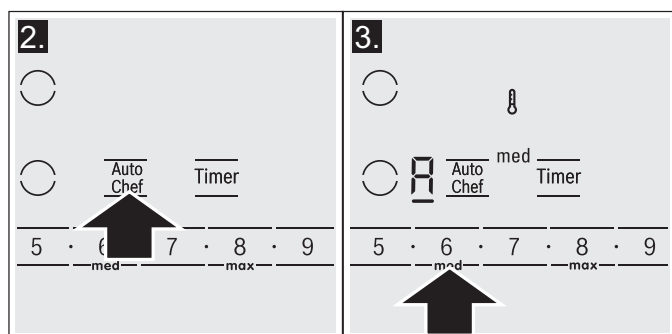
* Retourner plusieurs fois.



** Temps de cuisson total par portion. Frire de manière consécutive.

Réglage de la fonction AutoChef®

Sélectionnez le niveau de friture approprié du tableau. Placez la poêle du système au centre de l'élément chauffant. La surface de cuisson doit être en marche.

1. Sélectionner l'élément.
2. Effleurer la touche **AutoChef**.  s'allume sur l'écran de l'élément.
3. Sélectionner le niveau de friture souhaité à partir des touches numériques. Le symbole  s'allume à l'écran. Le niveau de friture sélectionné est affiché.



Le symbole de température  reste allumé jusqu'à ce que la température de friture soit atteinte. Ensuite, un signal sonore retentit,  disparaît.

4. Ajouter de l'huile de friture dans la casserole, puis ajouter les ingrédients. Retourner les aliments comme d'habitude pour éviter de les brûler.

Désactivation de la fonction AutoChef®


Choisissez l'élément chauffant et touchez **AutoChef**.

Verrouillage du tableau de commande

Le verrouillage du panneau de commande permet de sécuriser la table de cuisson pour ne pas que les enfants puissent l'allumer accidentellement.

Activation du verrouillage du panneau

La table de cuisson doit être éteinte.

Touchez **Panel Lock** (Verrouillage du panneau) pendant 4 secondes. L'indicateur  au-dessus de *Panel Lock* (Verrouillage du panneau) s'allume pendant 10 secondes. La table de cuisson est maintenant verrouillée.

Désactivation du verrouillage du panneau

Touchez **Panel Lock** (Verrouillage du panneau) pendant 4 secondes. Le verrou de sécurité pour enfants est maintenant désactivé.

⚠ ATTENTION

Le verrou de sécurité pour enfants peut être activé et désactivé par inadvertance par les moyens suivants :

- déversement d'eau pendant le nettoyage
- débordement d'aliments
- objets placés sur la touche **Panel Lock** (Verrouillage du panneau).

Verrouillage automatique du panneau

Avec cette fonction, le verrouillage du panneau est automatiquement activé chaque fois que vous éteignez la table de cuisson.

Activation et désactivation : Vous pouvez trouver comment activer le verrouillage automatique du panneau dans la section → "Réglages de base"

Protection contre l'essuyage

Le nettoyage du panneau de commande pendant que la table de cuisson est allumée peut modifier les réglages. Pour éviter cette situation, la table de cuisson est dotée d'une fonction de protection contre l'essuyage.

Pour activer : Touchez la touche **Panel Lock** (Verrouillage du panneau). L'indicateur ● au-dessus de la touche s'allume. Le panneau de commande est verrouillé pendant 35 secondes.

Vous pouvez maintenant nettoyer la surface du panneau de commande sans risquer de modifier les réglages.

Pour désactiver : pour désactiver la fonction avant que le temps ne soit écoulé, touchez la touche Panel Lock (Verrouillage du panneau). L'indicateur ● au-dessus de la touche s'éteint et la fonction est désactivée.

Remarques

- Un signal sonore retentira 30 secondes après l'activation. Cela indique que la fonction est sur le point de se terminer.

Réglages de base

Votre appareil comprend divers réglages de base. Vous pouvez ajuster ces réglages en fonction de votre façon de cuisiner.

Affichage	Fonction
<i>c 1</i>	Verrouillage automatique du panneau de commande à l'épreuve des enfants <i>0</i> Désactivé* <i>1</i> Activé
<i>c 2</i>	Signaux sonores <i>0</i> Signal de confirmation et signaux d'erreur désactivés <i>1</i> Seuls les signaux d'erreur sont activés <i>2</i> Seuls les signaux de confirmation sont activés <i>3</i> Tous les signaux activés*
<i>c 5</i>	Minuterie automatique <i>0</i> Off* (Arrêt) <i>1-99</i> Temps d'arrêt automatique
<i>c 6</i>	Durée du signal de fin de minuterie <i>1</i> 10 secondes* <i>2</i> 30 secondes <i>3</i> 1 minute
<i>c 7</i>	Fonction de gestion de la puissance <i>0</i> = Désactivé* <i>1</i> = puissance minimale de 1000 W <i>1.</i> = 1500 W <i>2</i> = 2000 W etc. <i>9</i> ou <i>9.</i> = puissance maximale de l'élément
<i>c 9</i>	Temps de sélection pour l'élément chauffant <i>0</i> Illimité* : Vous pouvez ajuster les réglages du dernier élément chauffant utilisé à tout moment sans avoir à le sélectionner de nouveau. <i>1</i> Restreint : Vous pouvez ajuster les réglages du dernier élément chauffant utilisé dans les 10 secondes suivant sa sélection. Après ce délai, vous devrez de nouveau choisir l'élément chauffant avant de pouvoir le régler.

- La fonction de protection contre l'essuyage ne verrouille pas l'interrupteur d'alimentation principal. Vous pouvez éteindre la table de cuisson en tout temps.

Durée limitée automatique

Si un élément est utilisé pour une période prolongée sans qu'aucun changement de réglage ne soit effectué, la fonction de durée limitée automatique sera activée.

L'élément cessera de chauffer. *FB* et l'indicateur de chaleur résiduelle *Hh* clignoteront en alternance à l'écran.

L'indicateur s'éteindra lorsque n'importe quel symbole est touché. L'élément peut ensuite être réinitialisé.

Le moment d'activation de la durée limitée automatique dépend du niveau de chaleur choisi (de 1 à 10 heures).

⌘ 12	Ustensiles de cuisine, vérifier les résultats du processus de cuisson ⏏ Ne convient pas ! N'est pas parfait 2 Convient
⌘ 0	Revenir aux réglages par défaut ⏏ Désactivé* ! Revenir aux réglages par défaut de l'appareil

* réglages par défaut

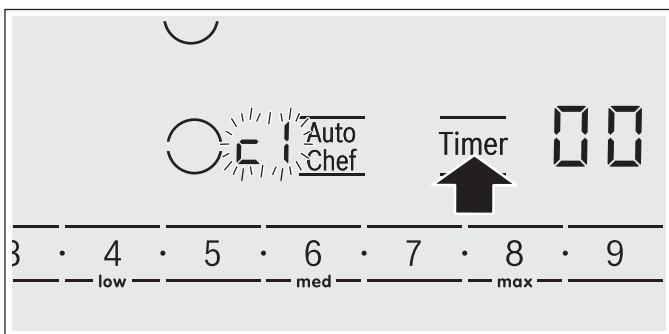
Modification des réglages de base

La table de cuisson doit être éteinte.

1. Allumer la table de cuisson avec l'interrupteur principal.
2. Dans les 10 secondes qui suivent, effleurer la touche **Timer** (Minuterie) pendant 4 secondes. Les quatre premiers écrans affichent des informations sur le produit. Effleurer la zone des réglages pour afficher les écrans individuels.

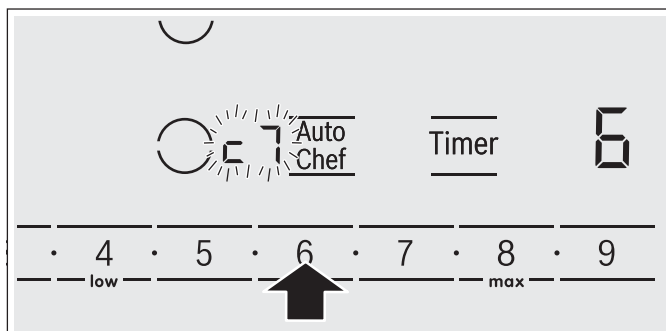
Information sur le produit	Affichage
Répertoire pour le service après-vente (K1)	01
Numéro FD	Fd
Numéro FD 1	95.
Numéro FD 2	05

3. Effleurer la touche **Timer** (Minuterie) à nouveau pour revenir aux réglages de base. À l'écran, **⌘** et **!** s'allument en alternance et, à l'écran de la minuterie, **⏏** s'allume comme réglage par défaut.



4. Effleurer **Timer** (Minuterie) à répétition jusqu'à ce que l'indicateur de la fonction souhaitée apparaisse à l'écran de l'élément.

5. Sélectionner le réglage souhaité au moyen des touches numériques.



6. Effleurer de nouveau **Timer** (Minuterie) pendant 4 secondes. Le réglage est mémorisé.

Sortie des réglages de base

Éteignez la table de cuisson avec l'interrupteur principal.

Cuisson par induction

Avantages lors de la cuisson par induction

La cuisson par induction est totalement différente de la cuisson traditionnelle, la chaleur étant directement générée dans le récipient. Ce qui offre toute une série d'avantages :

- Gain de temps lors de la cuisson et du rôtissage.
- Économie d'énergie.
- Entretien et nettoyage plus faciles. Les aliments qui ont débordé ne brûlent pas aussi rapidement.
- Puissance thermique contrôlée et sécurité accrue. Le foyer génère ou coupe la puissance thermique immédiatement après chaque commande. Le foyer coupe immédiatement la puissance thermique dès que le récipient est retiré du foyer, même s'il est encore allumé.

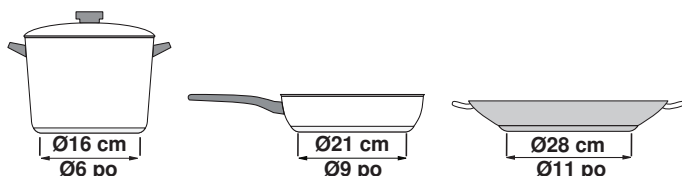
Ustensiles de cuisson

N'utilisez que des récipients ferromagnétiques pour la cuisson par induction, par exemple :

- des récipients en acier émaillé
- des récipients en fonte
- des récipients spéciaux pour la cuisson par induction en acier inox.

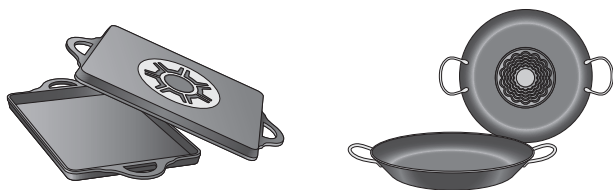
Pour vérifier si la casserole est compatible pour la cuisson par induction, veuillez consulter le chapitre → "Test de la vaisselle".

Pour obtenir un bon résultat de cuisson, la zone ferromagnétique du fond du récipient devrait correspondre à la taille du foyer. Si le récipient n'est pas détecté sur un foyer, essayez de nouveau sur un foyer d'un diamètre plus petit.



Il existe aussi des récipients spéciaux pour la cuisson par induction dont le fond n'est pas entièrement ferromagnétique :

- Si le fond du récipient n'est que partiellement ferromagnétique, seule la zone ferromagnétique se réchauffe. Il se peut donc que la chaleur ne soit pas uniformément répartie. La zone non ferromagnétique pourrait présenter une température trop basse pour la cuisson.



- Si le fond du récipient contient entre autres de l'aluminium, cela réduit aussi la surface ferromagnétique. Il se peut que ce récipient ne chauffe pas correctement ou, éventuellement, qu'il ne soit même pas détecté.



Ustensile de cuisson non adapté

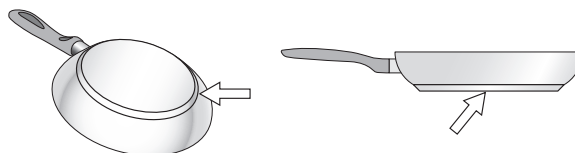
N'utilisez en aucun cas une plaque d'adaptation pour l'induction ou un ustensile de cuisson en :

- inox traditionnel
- verre
- terre
- cuivre
- aluminium

Caractéristiques du fond du récipient

La composition du fond du récipient peut influencer le résultat de cuisson. Utilisez des casseroles et des poêles fabriquées dans des matériaux diffusant uniformément la chaleur, comme les récipients "sandwich" en acier inoxydable, ce qui permet d'économiser du temps et de l'énergie.

Utilisez des récipients avec un fond plat, les fonds de récipient inégaux nuisent à la puissance thermique.



Casserole manquante ou de taille inappropriée

Si vous ne placez pas de casserole sur l'élément choisi, ou si la casserole est fabriquée d'un matériau inadéquat ou n'est pas de la taille appropriée, le niveau de puissance affiché sur l'indicateur de l'élément clignotera. Placez une casserole adéquate sur l'élément pour faire cesser le clignotement. Si vous prenez plus de 90 secondes pour placer une casserole adéquate sur l'élément, ce dernier se désactivera automatiquement.

Casseroles vides ou casseroles à base mince

Ne chauffez pas de casseroles vides, et n'utilisez pas de casseroles à base mince. La table de cuisson comprend un système de sécurité interne. Une casserole vide peut toutefois chauffer assez rapidement pour que la fonction « d'arrêt automatique » ne puisse pas s'activer à temps, ce qui laissera la casserole atteindre des

températures très élevées. La base de la casserole pourrait fondre et endommager la vitre de la table de cuisson. Dans une telle situation, ne touchez pas la casserole et éteignez la table de cuisson. Si l'appareil ne fonctionne plus après avoir refroidi, veuillez contacter le service technique.

Détection du récipient

Chaque foyer possède une limite inférieure pour la détection du récipient et celle-ci dépend du diamètre ferromagnétique et du matériau du fond du récipient. Vous devriez toujours utiliser le foyer qui correspond le mieux au diamètre du fond du récipient.

Nettoyage et entretien – Table de cuisson

Nettoyage quotidien

Remarques

- Ne nettoyer que les parties indiquées dans le manuel.
- Les produits de nettoyage Bosch ont été testés et approuvés pour être utilisés sur les appareils Bosch. La recommandation d'autres produits de nettoyage ne signifie pas que nous cautionnons une marque en particulier.

Nettoyage de la table de cuisson

▲ AVERTISSEMENT

NE PAS TOUCHER LES ÉLÉMENTS DE SURFACE OU LES ZONES À PROXIMITÉ DES ÉLÉMENTS

Les éléments de surface peuvent être chauds, même s'ils sont froids. Les zones à proximité des éléments peuvent devenir suffisamment chaudes pour causer des brûlures. Pendant et après l'utilisation, éviter de toucher ou de laisser des vêtements ou d'autres tissus inflammables entrer en contact avec les éléments de surface ou à proximité des éléments de surface, jusqu'à ce que ceux-ci aient le temps de refroidir. Ces zones comprennent la table de cuisson et les surfaces situées face à la table de cuisson.

▲ ATTENTION

N'utiliser aucun produit nettoyant sur la vitre quand la surface est chaude. Les émanations qui s'en dégagent peuvent être dangereuses pour la santé. Chauffer le produit nettoyant peut chimiquement attaquer et endommager la surface.

Précautions pour une surface durable et de belle apparence

- Un entretien régulier et quotidien, à l'aide du produit nettoyant pour table de cuisson en vitrocéramique, permettra de protéger la surface de la table de cuisson et facilitera le nettoyage des salissures alimentaires et des taches d'eau.
- La surface de cuisson en vitrocéramique est fabriquée à partir d'un matériau durable résistant aux chocs mais qui n'est pas incassable si une casserole ou tout autre objet tombe dessus.
- Ne jamais cuire d'aliments directement sur la vitre.
- Éviter de placer un anneau de support pour wok, un sous-plat ou une autre plaque de support en métal sur la surface en verre.
- Ne pas utiliser la surface vitrée comme planche à découper.
- Ne pas faire glisser d'articles de cuisson sur la surface de cuisson, car ils peuvent la rayer.
- Ne pas déposer de casseroles mouillées sur la surface vitrée.

Entretien avant utilisation

L'entretien est facile si des mesures préventives sont prises. Par exemple, appliquer tous les jours une petite quantité de produit nettoyant pour table de cuisson en vitrocéramique (livré avec la cuisinière). Le produit nettoyant dépose un film protecteur qui facilite le nettoyage des taches d'eau ou des projections d'aliments. La température de la table de cuisson réduit les qualités protectrices de ce produit. Il convient d'appliquer le produit nettoyant avant chaque utilisation. Utiliser un chiffon propre et appliquer le produit nettoyant pour table de cuisson en vitrocéramique, avant chaque utilisation, pour enlever la poussière ou les traces de métal pouvant se trouver sur la surface parallèle au plan de travail entre deux utilisations.

Techniques de nettoyage quotidien

▲ AVERTISSEMENT

RISQUE DE BRÛLURES

Faire extrêmement attention, car la surface est chaude. Attendre que la table de cuisson ait suffisamment refroidi avant d'utiliser une éponge ou un chiffon, de manière à éviter les brûlures dues à la vapeur. Aussi, certains produits de nettoyage dégagent des émanations nocives lorsqu'ils sont appliqués sur des surfaces chaudes.

1. Nettoyer la surface lorsqu'elle a complètement refroidi à l'aide du produit nettoyant pour table de cuisson en vitrocéramique.

Exceptions : Enlever les déversements de sucre sec, de sirop de sucre, de produits à base de tomates et de lait à l'aide du grattoir muni d'une lame de rasoir, une fois que la table de cuisson a suffisamment refroidi. Voir le tableau d'entretien de la table de cuisson à la page suivante.

2. Essuyer les projections à l'aide d'une éponge humide propre ou d'un papier absorbant. Rincer et sécher. Éliminer les traces pouvant persister avec du vinaigre blanc; rincer.
3. Appliquer une petite quantité de produit nettoyant pour table de cuisson en vitrocéramique. Une fois sec, polir la surface avec du papier absorbant ou un chiffon propre.

Utilisation du grattoir muni d'une lame de rasoir

Utiliser le grattoir pour éliminer les aliments séchés ou collés. Attendre que la table de cuisson ait suffisamment refroidi. Tenir le grattoir à un angle de 30°. Déplacer le grattoir sur la tache de manière à la détacher de la table de cuisson. Pour terminer, essuyer la surface avec une éponge humide ou du papier absorbant. Éliminer les traces pouvant persister en appliquant du vinaigre blanc et rincer.

▲ AVERTISSEMENT

RISQUE DE BLESSURES

La lame du grattoir est extrêmement tranchante. Risque de coupures. Protéger la lame quand elle ne sert pas. Remplacer la lame immédiatement si elle montre des imperfections. Suivre les instructions du fabricant.

Instructions pour le nettoyage

Lorsque vous utilisez un nettoyant, utilisez uniquement une petite quantité appliquée sur un linge ou une serviette en papier propre. Frottez les surfaces et polissez-les avec une serviette propre et sèche.

Pour des résultats optimaux, utilisez le nettoyant pour surface de cuisson en vitre de Bosch (numéro de pièce 12010030), que vous pouvez commander en ligne à l'adresse www.bosch-home.com/us/store (pour les clients américains seulement). Les autres nettoyants comprennent Bon Ami®, Soft Scrub® (sans détergent) et le vinaigre blanc.

Éviter ces produits de nettoyage

- Les produits de nettoyage pour les vitres qui contiennent de l'ammoniaque ou un agent de blanchiment au chlore. Ces ingrédients peuvent endommager ou tacher la table de cuisson de manière permanente.
- Les produits de nettoyage caustiques, tel Easy Off®, peuvent tacher la surface de la table de cuisson.
- Produits de nettoyage abrasifs.
- Les tampons métalliques, les tampons à récurer, tel Scotch Brite®, peuvent rayer ou laisser des traces métalliques.
- Les tampons à récurer savonneux, tel SOS®, peuvent rayer la surface.
- Les produits de nettoyage en poudre contenant un agent de blanchiment au chlore tachent la table de cuisson de manière permanente.
- Les produits de nettoyage inflammables, tels que de l'essence à briquet ou WD 40.

Tableau de nettoyage

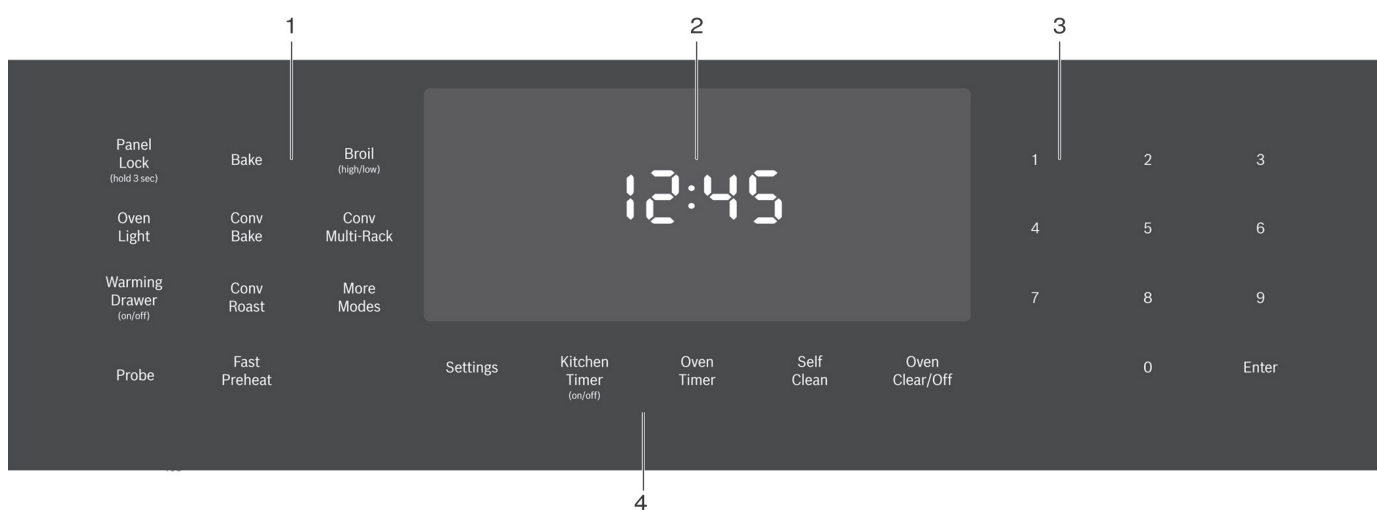
Type de tache	Solution possible
Déversement de sucre sec, de sirop de sucre ou éclaboussures de lait ou de tomate. Feuille ou pellicule de plastique fondu. Tous ces éléments doivent être éliminés une fois que la table de cuisson a suffisamment refroidi. Faire extrêmement attention, car la surface est chaude. La surface peut être endommagée de manière permanente si ces taches ne sont pas éliminées.	Retirer ces types de taches, après que la surface a suffisamment refroidi, à l'aide d'un grattoir muni d'une lame. Utiliser une nouvelle lame aiguisée dans le grattoir. Retirez l'ustensile de cuisson et éteindre l'élément. En portant un gant isolant, tenir le grattoir à un angle de 30° en faisant attention à ne pas abîmer ou rayer le verre. Retirer la tache de la zone chauffée. Après que la surface a refroidi, retirer le résidu et appliquer le produit de nettoyage pour table de cuisson en vitrocéramique.
	▲ AVERTISSEMENT RISQUE DE BLESSURE La lame du grattoir est extrêmement tranchante. Risque de coupures. Protéger la lame quand elle ne sert pas. Remplacer la lame immédiatement si elle montre des imperfections. Suivre les instructions du fabricant.
Débris alimentaires brûlés, traces sombres et mouchetures	Amollir en plaçant du papier absorbant ou une éponge humides sur la tache pendant 30 minutes. Utiliser une racle en plastique et le produit de nettoyage pour table de cuisson en vitrocéramique ou le grattoir muni d'une lame de rasoir. Rincer et sécher.
Éclaboussures graisseuses	Utiliser une éponge ou un chiffon savonneux pour déloger la graisse, rincer à fond et sécher. Appliquer le produit de nettoyage pour table de cuisson en vitrocéramique.
Traces métalliques : tache iridescente	Les casseroles dont la base est en aluminium, en cuivre ou en acier inoxydable peuvent laisser des traces. Traiter immédiatement, après que la surface a refroidi, avec le produit de nettoyage pour table de cuisson en vitrocéramique. Si cela n'enlève pas les traces, essayer un abrasif doux (Bon Ami®, Soft Scrub® sans agent de blanchiment) avec du papier absorbant humecté. Rincer et réappliquer le produit de nettoyage pour table de cuisson en vitrocéramique. Il devient très difficile d'enlever les traces métalliques si celles-ci ne sont pas éliminées avant la prochaine cuisson.
Taches d'eau calcaire Les liquides de cuisson chauds ont coulé sur la surface	Les minéraux de certaines eaux peuvent être transférés sur la surface de la table de cuisson et provoquer des taches. Utiliser du vinaigre blanc; rincer et sécher. Reconditionner avec le produit de nettoyage pour table de cuisson en vitrocéramique. Éliminer les débordements et les taches avant de réutiliser la table de cuisson.
Rayures sur la surface : Les petites rayures sont courantes et n'affectent pas la cuisson. Elles deviennent plus lisses et moins visibles avec l'usage quotidien du produit de nettoyage pour table de cuisson en vitrocéramique.	Appliquer le produit de nettoyage pour table de cuisson en vitrocéramique avant l'utilisation du four pour éliminer les saletés de la taille d'un grain de sable et les particules telles que le sel et l'assaisonnement. Il est possible de réduire les rayures en utilisant des casseroles dont la base est lisse, propre et sèche avant de les utiliser. Utiliser tous les jours le produit de nettoyage pour table de cuisson en vitrocéramique.
	REMARQUE : Les bagues de diamant peuvent rayer la surface.

Entretien

Cet appareil ne requiert pas d'autre entretien qu'un nettoyage quotidien. Pour obtenir les meilleurs résultats, appliquer chaque jour une crème de nettoyage pour tables de cuisson.

Fonctionnement –Four

Bandeau de commande du four



Série 800 – Bandeau de commande du four

- | | |
|---|--------------------------------|
| 1 | Touches de sélection des modes |
| 2 | Affichage |
| 3 | Touches du clavier numérique |
| 4 | Touches de fonction spéciales |

Remarque : Une légère pression sur les touches suffit pour les activer.

Description des touches

Panel Lock (hold 3 sec)	Active ou désactive le mode Verrouillage du bandeau de commande.
-----------------------------------	--

Oven Light	Allume ou éteint l'éclairage du four.
-------------------	---------------------------------------

Kitchen Timer (on/off)	Démarre et arrête la ou les minuteries de cuisine. Appuyer pour modifier une minuterie.
----------------------------------	---

Oven Timer	Appuyer pour modifier la minuterie du four sélectionné. Éteint le four à la fin du temps dévolu.
-------------------	--

Settings	Permet d'accéder aux paramètres de l'utilisateur pour personnaliser l'affichage de base, la langue d'utilisation et d'autres fonctions. Utiliser également pour régler l'horloge.
-----------------	---

Probe	Régler la température à atteindre de la sonde. La sonde permet de surveiller la température interne de la viande durant la cuisson.
--------------	---

**Fast
Preheat**

Active l'option Préchauffage rapide.

**Self
Clean**

Active le mode Nettoyage Auto.

**Warming
Drawer
(on/off)**

Allume ou éteint le tiroir chauffant.

**More
Modes**

Permet d'accéder aux modes de cuisson et de chauffage pour lesquels il n'existe pas de touche d'accès direct.



Panel Lock (Verrouillage du bandeau) s'affiche lorsque le bandeau de commande est verrouillé.



Self Clean (Nettoyage Auto) s'affiche lorsque l'autonettoyage est activé.

À propos du four

Votre nouveau four réunit des résultats de cuisson supérieurs et un fonctionnement tout simple.

La conception du four a été optimisée pour améliorer la distribution de la chaleur dans la cavité du four. Il en résulte un brunissage uniforme, une réduction des temps de cuisson et une diminution des coûts énergétiques.

Grâce au mode Nettoyage Auto, les heures passées à récupérer les coins les plus inaccessibles du four sont aujourd'hui révolus. Le four carbonise les salissures simplement et en toute facilité. Lorsque l'autonettoyage est terminé, il vous suffit d'essuyer les cendres résiduelles.

Le lettrage clair et lisible des touches à effleurement facilitent grandement l'utilisation du four. Ce manuel contient toutes les instructions relatives au fonctionnement du four.

Veuillez nous appeler pour toute question. Notre numéro de téléphone se trouve au début de ce manuel. Vos commentaires et suggestions sont les bienvenus!

Mores Modes (Autres modes)

D'autres modes sont accessibles en appuyant sur la touche **More Modes** (Autres modes). Ces modes comprennent Gril à convection, Maintien au chaud, Pizza, Apprêt et Rôtisserie. Le détail de ces modes est présenté à la section *Tirer le meilleur parti de votre appareil*, plus loin dans ce manuel.

Symboles affichés



Door Lock (Verrouillé) s'affiche lorsque la porte du four est verrouillée.



Le symbole Fast Preheat (Préchauffage rapide) s'affiche lorsque le préchauffage rapide est activé.



Le symbole Probe (Sonde) s'affiche lorsqu'une sonde est détectée.

Caractéristiques générales

Réglage de l'horloge

Le four inclut des fonctions temporelles qui nécessitent que l'heure actuelle soit réglée. Par conséquent, il est important de régler l'horloge avant de commencer à utiliser le four. Le four ne peut pas être en mode de cuisson lors du réglage de l'horloge.

Pour régler l'horloge :

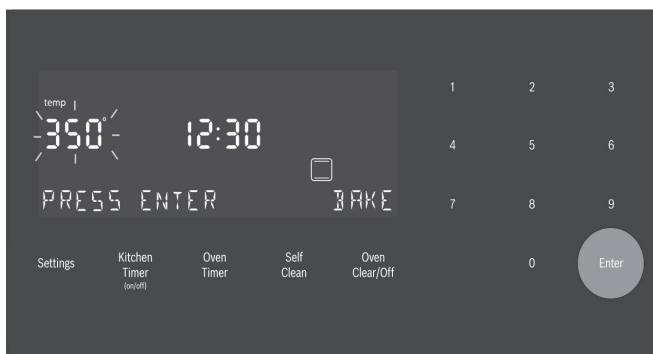
1. Le four doit être en mode Veille (le four est sous tension, mais aucun mode de cuisson ni minuterie n'est en fonctionnement).
2. Pour accéder au mode de réglage de l'horloge : Appuyer sur la touche **Settings** (Réglages). L'écran affiche « SET CLOCK » (Réglage de l'horloge). Appuyer sur **Enter** (Entrée) pour modifier l'heure.
3. Saisir l'heure souhaitée à l'aide du clavier numérique. Chaque chiffre saisi s'affiche à droite et déplace les chiffres précédemment saisis vers la gauche. Pour régler l'heure à « 12:45 p.m. », appuyer sur 1, 2, 4, 5.
4. Quand l'heure souhaitée est saisie, confirmer l'heure en appuyant sur **Enter** (Entrée). L'horloge est désormais réglée et fonctionne.

Réglage du mode de cuisson et de la température

Il existe deux méthodes de réglage du mode de cuisson et de la température.

Pour régler le mode de cuisson d'abord, puis la température :

1. Appuyer sur le mode de cuisson désiré. Le mode de cuisson et la température par défaut s'affichent. La température clignote, signalant qu'elle peut être modifiée.

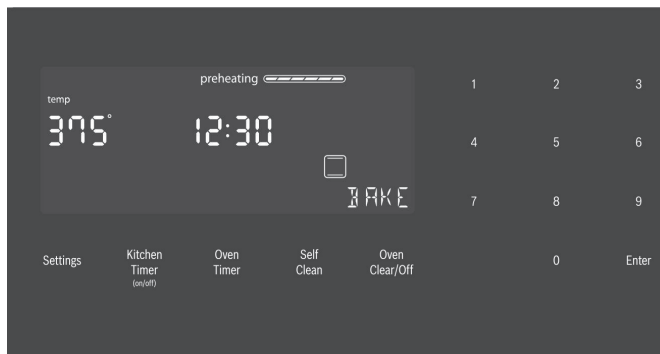


2. Appuyer sur **Enter** (Entrée) pour lancer le mode avec la température par défaut.

3. Pour modifier la température, entrer la nouvelle température à l'aide des touches numériques. Par exemple, modifier la température à 375 °F (190 °C). Appuyer sur **Enter** (Entrée) régler la température modifiée.

Remarque : La nouvelle température s'enregistre automatiquement après 10 secondes si la touche **Enter** (Entrée) n'est pas appuyée.

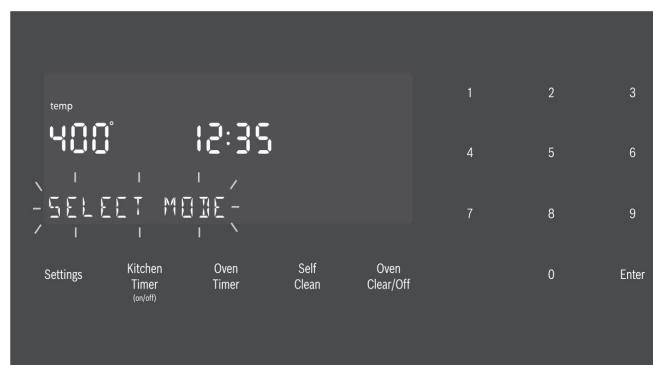
4. Le préchauffage démarre.



Remarque : Si la température saisie est en dehors de la plage autorisée pour le mode, une tonalité d'erreur retentit et la partie inférieure de l'écran affiche «TEMP NOT ALLOWED » (Température non autorisée).

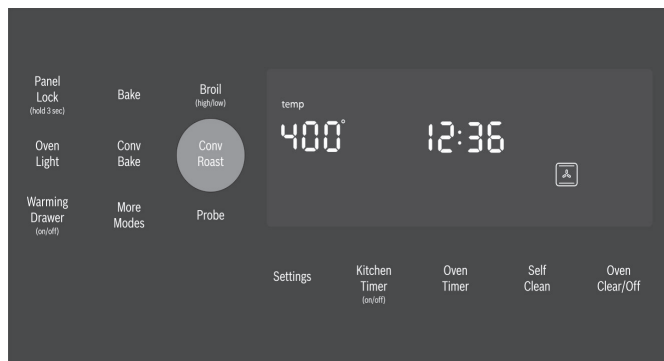
Pour régler la température d'abord, puis le mode de cuisson (sauf pour les modes Gril ou Gril à convection) :

1. Entrez la température souhaitée à l'aide des touches numériques. La température saisie s'affiche à côté du temps.
2. Sélectionner un mode de cuisson compatible avec la température saisie. Si aucun mode de cuisson n'est sélectionné dans les 5 secondes suivant le réglage de la température, une tonalité retentit et le message « SELECT MODE » (Sélectionner mode) s'affiche et clignote.



- Appuyer sur une touche de sélection de mode pour sélectionner un mode de cuisson.

Le nouveau mode s'enregistre automatiquement après 10 secondes si la touche **Enter** (Entrée) n'est pas appuyée.



Remarque : Si la température saisie est en dehors de la plage autorisée pour le mode sélectionné, une tonalité d'erreur retentit et la partie inférieure de l'écran affiche «TEMP NOT ALLOWED » (Température non autorisée).

Pour changer la température du four :

- Appuyer sur le mode de cuisson désiré.
- La température affichée clignote. Entrer une nouvelle température à l'aide des touches numériques. Appuyer sur **Enter** (Entrée).

Limite de la durée de chauffage

La durée de chauffage maximale est limitée. Si vous oubliez d'éteindre le four, il s'éteint automatiquement après un certain temps.

Le temps maximal en mode Shabbat est de 74 heures. Pour tous les autres modes de cuisson, le temps maximal autorisé est de 24 heures.

Température en °F	Température en °C	Durée d'inactivité maximum autorisée
100-200	30-120	24 heures
201-550	121-300	12 heures

Minuterie

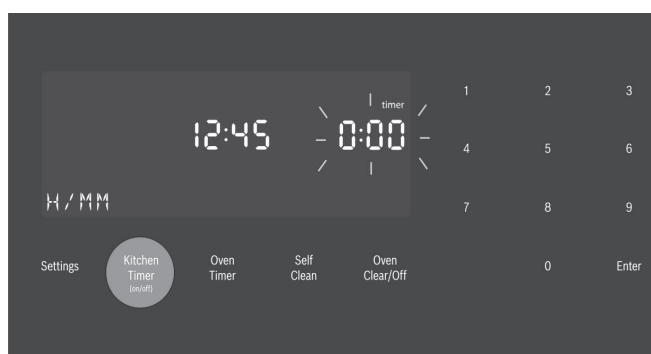
Votre nouveau four est équipé de deux types de minuterie.

Minuterie de cuisine – Minuterie à compte à rebours qui n'a aucune incidence sur le chauffage du four. La minuterie de cuisine est utilisée pour les besoins de chronométrage des tâches ménagères d'ordre général.

Minuterie du four - Minuterie à compte à rebours qui, lorsqu'elle atteint 00:00, éteint le four et, par conséquent, le mode en cours. La minuterie du four est utilisée pour régler la durée d'activation d'un mode. N'est pas offerte pour les modes Gril, Gril à convection ou Apprêt.

Pour régler la minuterie de cuisine (pour des besoins d'ordre général) :

- Appuyez sur le bouton **Kitchen Timer On/Off** (Minuterie de cuisine Activée/Désactivée). La valeur « 00:00 » s'affiche et clignote. Saisir la valeur de minuterie souhaitée dans le format H/MM, à l'aide du clavier numérique.



- Appuyer sur **Enter** (Entrée). La minuterie de cuisine démarre.
- Lorsque le compte à rebours de la minuterie de cuisine atteint zéro, une tonalité d'alarme retentit toutes les 10 secondes, et ce, pendant 2 minutes et le message « TIMER END » (Minuterie Fin) s'affiche.

Annuler la minuterie de cuisine en appuyant sur le bouton Kitchen Timer On/Off (Minuterie de cuisine Activée/Désactivée).

Remarque : La minuterie ne change pas lorsque d'autres paramètres sont modifiés.

Modification d'une minuterie de cuisine (réglage d'une minuterie pour éteindre le four) :

- Appuyez sur le bouton Kitchen Timer On/Off (Minuterie de cuisine Activée/Désactivée).
- La valeur actuelle clignote et peut être modifiée.

Pour régler la minuterie du four :

Remarque : La minuterie d'un four ne peut pas fonctionner pendant le cycle d'autonettoyage (Nettoyage Auto).

1. Sélectionner la touche **Oven Timer** (Minuterie du four).
2. Sélectionner le mode, appuyer sur **Enter** (Entrée).
La valeur « 00:00 » s'affiche et clignote. Saisir la valeur de minuterie souhaitée dans le format H/MM, à l'aide du clavier numérique.



Appuyer sur **Enter** (Entrée). La minuterie du four compte à rebours jusqu'à 0:00.

3. Lorsque la minuterie atteint :00, le mode de cuisson prend fin et le message « OVEN TIMER FINISHED » (Minuterie du four – Fin) s'affiche. L'alarme du four retentit toutes les 10 secondes, et ce, pendant 2 minutes.



Modification de la minuterie du four :

1. Si la minuterie du four est en service et que le temps restant doit être modifié, entrer le mode de minuterie du four en appuyant sur **Oven Timer** (Minuterie du four).
2. La température clignote, signalant qu'elle peut être modifiée. Saisir une nouvelle température ou appuyer sur **Enter** (Entrée) pour ne pas apporter de modification.
3. La valeur de minuterie clignote, signalant qu'elle peut être modifiée. Saisir la nouvelle durée et redémarrer la minuterie en appuyant sur **Enter**.

La minuterie du four peut être réinitialisée en entrant 0:00.

Préchauffage rapide

La fonction de préchauffage rapide permet de faire chauffer le four plus rapidement que le préchauffage standard. Elle est disponible pour les modes Cuisson, Convection Multi-Rack, Cuisson par Convection, Rôtissage Convection, Rôtissage et Pizza. Le mode Rôtissage apparaît dans le menu « Autres modes ». Si le Préchauffage Rapide n'est pas autorisé pour le mode de cuisson sélectionné, une tonalité d'erreur retentit. Le préchauffage rapide n'est pas disponible pour les modes Gril, Gril Convection, Apprêt ou Maintien au Chaud.

Pour régler le Préchauffage rapide :

1. Appuyer sur **Fast Preheat** (Préchauffage rapide).
L'icône de préchauffage rapide s'affiche juste au-dessus du nom du mode de cuisson.
2. Appuyer sur **Start** (Démarrer).

Le Préchauffage rapide peut être éteint en appuyant de nouveau sur **Fast Preheat** (Préchauffage rapide).

Fonctions spéciales

L'appareil comporte des fonctions spéciales qui vous offrent des avantages supplémentaires en cuisinant.

Pour en savoir davantage sur ces fonctions spéciales, consulter les sections suivantes :

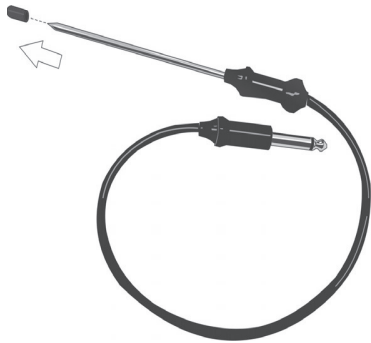
- Sonde (certains modèles)
- Mode Shabbat
- Verrouillage du bandeau de commande

Sonde

La sonde mesure la température interne de l'aliment. La sonde peut être utilisée pour les modes Cuisson, Rôtissage et tous les modes de Cuisson par Convection sauf Gril Convection.

Certains modèles sont dotés d'une sonde de température servant à mesurer la température interne des viandes pendant la cuisson.

La sonde est livrée avec un capuchon de plastique noir sur son extrémité. **Le capuchon doit être retiré avant l'emploi.**



Insertion de la sonde :

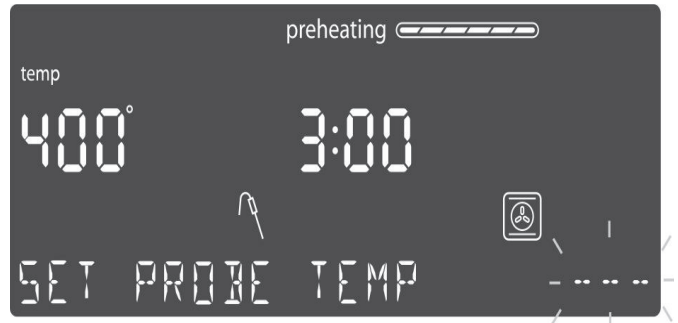
Introduire la pointe de la sonde dans la viande au milieu, dans la partie la plus épaisse de la viande ou de la poitrine, dans le cas d'une volaille. S'assurer que la sonde ne touche pas au gras, à l'os ou à des parties du four ou du plat.

Remarque : L'aliment doit être complètement dégelé avant d'introduire la sonde dans la viande.

Utilisation de la sonde :

1. Insérer la sonde dans la viande comme décrit ci-dessus. Le symbole de la sonde s'affiche.
2. Brancher la sonde au four. Si la sonde n'est pas connectée au four avant le démarrage du mode Sonde, une tonalité d'erreur retentit et le message « INSERT PROBE » (Introduire la sonde) s'affiche.
3. Régler la mode de cuisson et la température.
4. L'écran de réglage de la température de la sonde s'affiche. Une invite à trois chiffres « - - - » clignote dans le coin inférieur droit. Entrer la température de la sonde souhaitée à l'aide des touches numériques et appuyer sur **Enter** (Enter).

Remarque : La température de sonde minimum pouvant être définie est de 100 °F (40 °C) et la température maximum est de (200 °F (100 °C)). Si la température de sonde saisie est en dehors de cette plage, une erreur s'affiche.

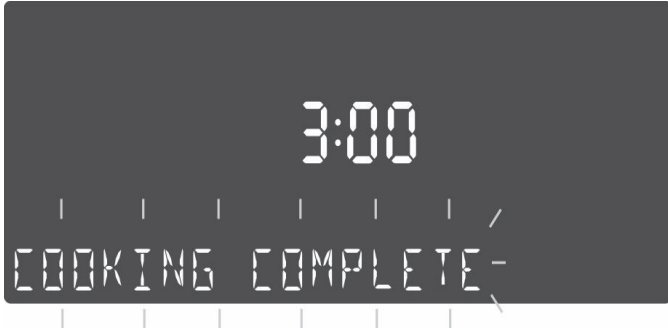


5. La température réelle de la sonde et la température ciblée s'affichent toutes deux au format : « 105/180 » (40/80), dans le coin inférieur droit de l'écran. La température réelle affichera <80 jusqu'à ce que la température atteigne 80 °F (27 °C).

La température de sonde affichée est mise à jour par incréments de 5 °F (1 °C) au cours du processus de cuisson.



6. Lorsque la température de la sonde atteint la température définie, le mode de cuisson est désactivé. L'heure en cours s'affiche et le message « COOKING COMPLETE » (Cuisson terminée) s'affiche au coin inférieur gauche de l'écran. Une tonalité d'alarme retentit toutes les 10 secondes, et ce, pendant 2 minutes.



Cet écran reste dans l'affichage jusqu'à ce qu'on l'efface en appuyant sur la touche **Oven Clear/Off** (Four Effacer/Désactiver) ou jusqu'à ce que la sonde soit retirée. L'écran repasse en mode veille.

Remarques

- La sonde n'est pas disponible lorsque la minuterie de four a été programmée.
- Pour changer la température du four, appuyer sur la touche Probe (Sonde). L'écran affiche le mode d'édition de la température de sonde et affiche le message « SET PROBE TEMP » (Régler température sonde). Saisir la nouvelle température de la sonde et appuyer sur **Enter** (Enter) pour accepter la nouvelle valeur.
- Ne pas ranger la sonde dans le four.
- Toujours utiliser la sonde par la poignée pour l'insérer et la retirer.
- Toujours utiliser une manique pour retirer la sonde car elle est chaude.
- Étant donné que la viande continue à cuire une fois retirée du four, régler la température interne (de la sonde) de 5 F à 10 F (1 °C à 2 C) en deçà de la température finale souhaitée, sauf pour la volaille.

Mode Shabbat

Le mode Shabbat permet aux personnes de religions spécifiques d'utiliser leur four le jour du Shabbat.

Le mode Shabbat ne peut être saisi que dans le cadre d'un cycle de cuisson. La température de cuisson doit être dans la plage de température du mode Shabbat, soit comprise entre 100 °F (38 °C) et 450 °F (232 °C).

Si l'éclairage du four est allumé pendant la configuration, il le restera tout au long du fonctionnement du mode Shabbat. Si l'éclairage du four est éteint pendant la configuration, il le restera tout au long du fonctionnement du mode Shabbat.

Pour régler le mode Shabbat :

Aucune minuterie de cuisine ou de four ne doit fonctionner pendant la saisie du mode Shabbat.

1. Commencer une cuisson. Pendant que le mode de **cuisson** est en cours, appuyer et maintenir enfoncée la touche **Oven Timer** (Minuterie du four) pendant 5 secondes.

Le message « SABBATH NOT AVAILABLE » (Shabbat non disponible) s'affiche si une minuterie est en marche ou si la température saisie est en dehors de la plage autorisée.



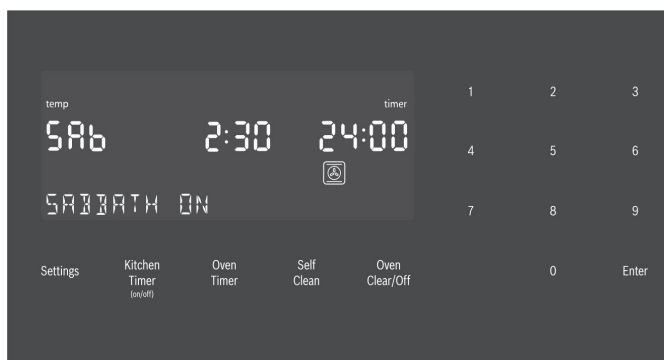
Si aucune minuterie n'est en marche, les réglages du mode Shabbat s'affichent à l'écran. La minuterie du mode Shabbat clignote, signalant qu'elle peut être modifiée. La valeur par défaut est 74:00 (le nombre d'heures maximal auquel le mode Shabbat peut être réglé).



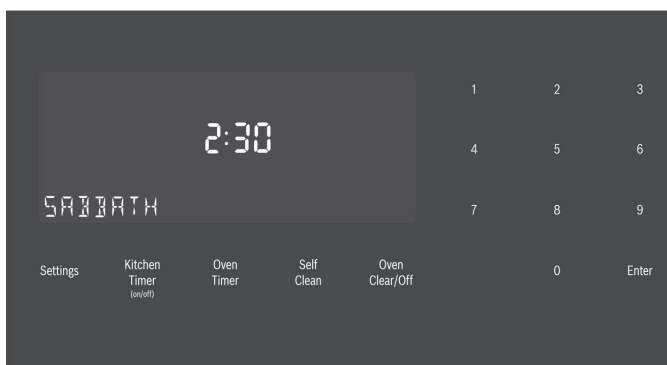
2. Appuyer sur Enter (Entrée) pour confirmer les 74:00 heures par défaut et lancer le mode Shabbat ou utiliser le clavier numérique pour saisir la valeur de minuterie du mode Shabbat. Des valeurs de minuterie peuvent être saisies entre 0:01 et 74:00.

Remarque : Si aucune modification n'est apportée en 10 secondes, le mode Shabbat démarre automatiquement.

3. Le mode Shabbat lancé, l'écran change pour afficher « SABBATH ON » (Shabbat activé).



4. Une fois que le compte à rebours atteint zéro, le four affiche l'heure courante et le message «SABBATH » (Shabbat). À ce stade, aucune modification ne peut être apportée. Pour mettre fin au mode Shabbat et revenir au fonctionnement habituel, appuyer sur la touche **Oven Clear/Off** (Four Effacer/Désactivé).



Remarques

- La température pour le mode Shabbat est comprise entre 100 °F (38 °C) et 450 °F (232 °C).
- La minuterie du mode Shabbat peut être réglée entre 00:01 et 74 heures.

Pour modifier la température en mode Shabbat :

Rien ne s'affiche pendant que la température en mode Shabbat est modifiée. Si une température invalide est saisie, le four reviendra, par défaut, à la température précédente.

1. Appuyer sur la touche Bake (Cuisson).
2. Saisir la nouvelle température souhaitée.
3. Appuyez sur **Enter** (Entrée).

Le four ajustera sa température réglée après un délai aléatoire.

Verrouillage du bandeau de commande

Permet à l'utilisateur de désactiver toutes les touches du bandeau de commande. Le verrouillage du bandeau de commande ne peut être activé qu'en mode de veille.

1. Pour le verrouillage du bandeau, appuyer et tenir enfoncée la touche **Panel Lock** (Verrouillage du bandeau) pendant 3 secondes.
2. Pour désactiver le verrouillage du bandeau, appuyer et tenir enfoncée la touche **Panel Lock** (Verrouillage du bandeau) pendant 3 secondes. L'écran repasse en mode veille.

Réglages

Le menu de configuration du four est utilisé pour personnaliser certains réglages du four.

Le four doit être en mode Veille (aucun mode de cuisson ou minuterie de four ne doit s'exécuter) afin de pouvoir accéder au menu de configuration.

Pour apporter des modifications aux éléments du menu des réglages :

1. Appuyer sur la touche **Settings** (Réglages).
2. Le premier élément de réglage s'affiche. L'écran affiche « SET CLOCK » (Réglage de l'horloge). Appuyer de nouveau sur **Réglages** pour accéder au menu des réglages.
3. Pour afficher un élément de réglage différent, appuyer sur le chiffre correspondant à ce réglage (voir le tableau ci-dessous ou appuyer sur **Réglages** pour faire défiler les options).
4. Pour modifier la valeur du réglage affiché, appuyer sur **Enter** pour accéder au mode d'édition. Modifier la valeur du réglage souhaité à l'aide du clavier numérique. La valeur de réglage correspondante apparaît dans le tableau ci-dessous.

Pour la température compensée, lorsque l'élément est en mode d'édition, appuyer d'abord sur « - » ou sur « + », puis sur la valeur numérique compensée.

La nouvelle valeur est automatiquement confirmée alors que l'écran repasse du mode d'édition au mode d'affichage.

Pour quitter le menu des réglages :

Appuyer sur la touche **Oven Clear/Off** (Four Effacer/Désactiver).

Température compensée du four

Le four est calibré de manière à offrir des résultats précis. La fonction est utile si vous préférez des aliments plus ou moins dorés. Lorsqu'une valeur compensée est saisie, la température réelle du four est augmentée ou diminuée de cette valeur.

Ne pas utiliser les thermomètres de cuisson résidentiels pour mesurer les températures du four, car elles fluctueront au gré de la cuisson.

Le four doit être éteint pour régler une valeur compensée. Pour le réglage, se reporter à *Temperature Offset* (Température compensée) dans les *Settings Menu Options* (Options de menu des réglages).

Remarque : Ces étapes peuvent être répétées jusqu'à l'obtention d'un résultat satisfaisant. Chaque fois qu'une de ces étapes est répétée, la température du four retombe à zéro. En d'autres mots, si la température compensée a été modifiée de 5 °F (1 °C) la première fois, la deuxième, elle devra être compensée de 10 °F (2 °C). Le four ne modifiera pas la température compensée originale.

Options de menu des réglages

Élément de menu	Description	Réglage par défaut
1 Unités de température	Fahrenheit (°F) ou Celsius (°C)	°F
2 Luminosité	Élevé, Moyen, Faible	Élevé
3 Volume	Élevé, Moyen, Faible	Élevée
4 Mode Horloge	Mode d'affichage 12 heures ou 24 heures. 12HR, 24HR	12HR
5 Auto Convection Conversion	Diminue la température du four de 25 °F (3,9 °C) pour les modes de Cuisson par Convection et de Convection Multi-Rack. Activé, Désactivé	DÉSACTIVÉ
6 Tonalité des touches	Tonalité lorsqu'on appuie sur la touche. ACTIVE, DÉSACTIVÉ	ACTIVE
7 Veille Horloge Affichage	L'horloge s'affiche quand aucun mode de cuisson ou minuterie ne s'exécute. ACTIVE, DÉSACTIVÉ	ACTIVE

8 Langue	Paramètre de langue : Anglais, (EN), Français, (FR)	EN
9 Température Température compensée	Règle la valeur de la température compensée pour Cuisson, Cuisson par Convection, Rôtissage, Rôtissage Convection et Convection Multi-Rack.	0

Remarque : Les températures compensées doivent toujours être saisies à deux chiffres.

Exemple : 5 est saisi comme 05.

Lorsqu'une valeur compensée est saisie, la température réelle du four est augmentée ou diminuée de cette valeur. Cette fonction est utile si les aliments sont systématiquement trop ou pas assez dorés.

La plage de modification de la compensation est comprise entre +/- 35 °F (+/- 19 °C) par incréments de 1 °F (0,20 °C).

La valeur par défaut est 0.

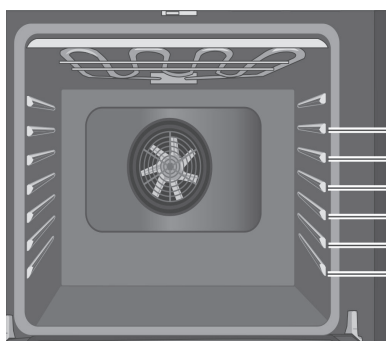
Tirer le meilleur parti de votre appareil

Conseils généraux

Positionnement du plat de cuisson

Les résultats de cuissons sont meilleurs si les plats sont placés au centre du four. Si plus d'un plat cuit sur une grille, laisser environ 1 po-1,5 po (2 cm-2,5 cm) d'espace entre les plats. Lors de la cuisson de quatre pâtes à gâteau en même temps, étager les moules sur deux grilles de manière à ce qu'un moule ne soit pas placé directement au-dessus de l'autre.

Position des grilles



Les positions des grilles sont numérotées de 1 à 6, du bas vers le haut.

Consulter les tableaux de cuisson à la fin de ce manuel pour connaître les positions de grille recommandées.

La glissière située sur la voûte du four permet de guider la grille supérieure (position 6). Utiliser uniquement les positions de grille de 1 à 6. NE PAS tenter d'utiliser le dispositif de guidage supérieur pour soutenir une grille de four.

Position des grilles	Idéal pour
6 (position utilisable la plus élevée)	les hamburgers, les steaks
5	le pain grillé, la plupart des viandes grillées et le fromage fondu
4	les viandes plus épaisses
3	volailles rôties, la plupart des produits boulangers préparés sur une plaque à biscuits ou dans un moule utilisant une seule grille; ceci comprend les aliments surgelés prêts-à-servir, les gâteaux, les plats en casserole et la pizza surgelée

2	les petits rôtis ou volailles, les savarins, les tartes, le pain
1 (position la plus basse)	les gros rôtis, la dinde, le gâteau des anges

Papier d'aluminium

⚠ AVERTISSEMENT

Ne pas utiliser de papier aluminium ou de doublure de protection pour revêtir toute partie de l'appareil, et en particulier la sole du four. L'utilisation de ces doublures peut entraîner un risque de choc électrique ou d'incendie.

Préchauffer le four

- Placer les grilles dans la position désirée avant de faire chauffer le four.
- Préchauffer le four lors de l'utilisation des modes Cuisson, Cuisson par convection, Convection MultiRack, Pizza, Gril Convection et Maintien au chaud.
- Le préchauffage n'est pas utilisé pour les modes Rôtisserie, Rôtisserie à convection et Levée.
- Faire préchauffer le four tout en préparant les ingrédients de la recette ou les aliments.
- Le réglage d'une température plus élevée n'écourte pas le temps de préchauffage.
- Une fois le four préchauffé, mettre les aliments au four le plus vite possible pour minimiser la perte de chaleur et éviter la baisse de température du four.
- Pour aller plus vite, utiliser la fonction de Préchauffage rapide.

Rappels concernant le préchauffage

Ce four possède l'un des temps de préchauffage les plus brefs du marché grâce à un élément de cuisson dissimulé. Il est normal que le temps de préchauffage soit différent de votre four précédent dont l'élément était exposé sur la sole du four. Il est normal que le temps de préchauffage diffère de celui de votre four précédent, dont l'élément chauffant était exposé dans le bas du four.

- L'élément inférieur dissimulé est protégé des salissures et des éclaboussures. Les éclaboussures sont faciles à essuyer.
- Les viandes, la volailles, les plats en casserole et certains aliments congelés n'ont pas besoin d'être préchauffés.

- Le temps de préchauffage sera plus long si l'alimentation électrique du domicile est inférieure à 240 volts.
- Toute augmentation de la température entraînera un temps de préchauffage supplémentaire. Par exemple, le temps de préchauffage pour un four à 425 °F (220 °C) est plus long que celui d'un four à 350 °F (180 °C).

Pour la cuisson au gril, préchauffer le four pendant 3 à 4 minutes. Ne pas préchauffer le four au-delà de 5 minutes.

Pour de meilleurs résultats

- Se servir des tableaux de recommandations de cuisson comme guide. Voir les tableaux à la fin du manuel.
- Ouvrir la porte aussi brièvement que possible pour éviter les chutes de température.
- Utiliser l'éclairage intérieur du four pour vérifier la cuisson des aliments par le hublot plutôt que d'ouvrir souvent la porte du four.
- Se servir de la minuterie pour comptabiliser les temps de cuisson.

Casseroles et plats allant au four

- Les plats de cuisson en verre absorbent la chaleur. Certains fabricants d'ustensiles de cuisine recommandent de réduire la température de 25 °F (3,9 °C) lors de l'utilisation de ce type de plat. Suivre les recommandations du fabricant.
- Préchauffer le four avant d'y placer des plats de cuisson en verre.
- Utiliser des plats adaptés au degré de brunissage désiré. Pour obtenir une croûte tendre, légère et brun doré, utiliser des plats allant au four en métal anodisé ou brillant.
- Les plats foncés, rugueux ou mats (antiadhésifs ou anodisés) absorbent la chaleur et donnent une croûte plus dorée et plus croustillante. Certains fabricants recommandent de réduire la température de 25 °F (3,9 °C) lors de l'utilisation de ce type de plat. Suivre les recommandations du fabricant.
- Les plaques à biscuits ou les plats allant au four isolés feront augmenter la durée de cuisson.
- Ne pas déposer de plat à rôtir ou tout autre objet lourd sur la porte ouverte du four.
- Ne pas laisser des plats de cuisson ou des pierres à pizza vides dans le four pendant la cuisson, car cela risque de modifier la performance de cuisson. Ranger les plats de cuisson à l'extérieur du four.

Ouvrir la porte du four

Ouvrir et fermer la porte de l'appareil par la poignée de la porte seulement. Pour éviter tout risque de brûlure, ne pas toucher d'autres parties de la porte.

Cuisson à haute altitude

À haute altitude, les recettes et les temps de cuisson peuvent varier.

Pour des renseignements plus précis, écrire au Service de vulgarisation de la Colorado State University, à Fort Collins, Colorado 80521. Des frais peuvent être exigés pour l'achat de ces guides de cuisson. Préciser le nom du guide de préparation culinaire à haute altitude que vous désirez : renseignements généraux, gâteaux, biscuits, pains, etc.

Condensation

Il est normal de voir une certaine quantité de vapeur d'eau s'échapper des aliments lors de la cuisson. La quantité dépend de la teneur en humidité de l'aliment. L'humidité peut se condenser sur n'importe quelle surface plus froide que la cavité du four, comme par exemple sur le bandeau de commande.

Plages de température par type de cuisson

Les températures s'affichent en Fahrenheit.

Mode	Plus faible	Plus élevé
Cuisson	100	550
Rôtissage	100	550
Gril (bas, élevé)	450	550
Tiède	150	225
Apprêt	85	125
Cuisson à convection	100	550
Convection MultiRack	100	550
Rôtissage à convection	100	550
Pizza	100	550
Gris à convection (bas, élevé)	450	550

Cuisson

Le mode Cuisson revient à faire cuire avec de l'air chaud et sec. Les éléments supérieur et inférieur chauffent à intervalles réguliers pour maintenir la température du four.

Le mode Cuisson peut être utilisé pour préparer toute sorte d'aliments, depuis les pâtisseries jusqu'aux plats en casserole. Consulter les conseils de préparation de la recette ou de l'emballage pour connaître les températures et les temps de cuisson.

Conseils

- Préchauffer le four si la recette le recommande.
- Le temps de cuisson varie selon la taille, la forme et le revêtement de l'ustensile utilisé. Les récipients en métal foncés ou les revêtements antiadhésifs permettent d'obtenir une cuisson plus rapide et un brunissage plus intense. Les ustensiles de cuisson isolants, augmentent la durée de cuisson pour la plupart des aliments.
- Pour de meilleurs résultats, faire cuire les aliments sur une seule grille en laissant 1,5 po (3,8 cm) d'espace minimum entre les ustensiles ou les plats et les parois du four.
- Éviter les pertes de chaleur en vérifiant périodiquement la cuisson des aliments par le hublot du four au lieu d'ouvrir la porte.

Auto Convection Conversion

Les modes de Cuisson par Convection et Convection MultiRack nécessitent une réduction de température de 25 °F (3,9 °C). La fonction Conversion Convection Auto réduit la température saisie automatiquement. Entrer simplement la température de la recette ou indiquée sur l'emballage lors du réglage du mode. La commande calcule la bonne température et l'affiche à l'écran.

La fonction Conversion Convection Auto peut être activée pour permettre le réglage automatique de la température. Voir « Conversion Convection Auto » à la section « Réglages » pour plus de détails.

Cuisson par convection

Le mode Cuisson par Convection est similaire au mode Cuisson. La chaleur provient des éléments chauffants supérieur et inférieur. La principale différence est que la chaleur circule à l'intérieur de la cavité du four grâce au ventilateur à convection.

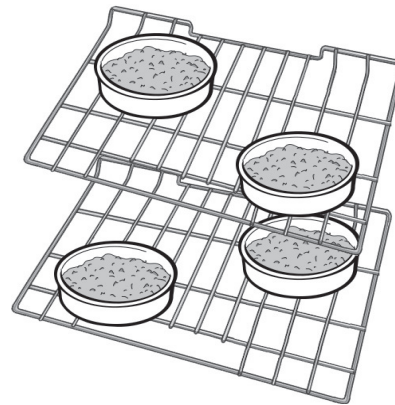
Le mode de Cuisson par Convection est idéal pour la cuisson des gâteaux, des biscuits en barres et des pains pour tirer profit de la chaleur de l'élément inférieur qui donne aux aliments cuits au four une croûte plus savoureuse.

Les avantages du mode Cuisson par Convection comprennent :

- Une légère diminution de la durée de cuisson.
- Un volume plus élevé (les aliments à base de levure lèvent mieux).

Conseils

- Réduire la température du four indiquée dans la recette de 25 °F (3,9 °C). Consulter le tableau de cuisson à la fin de ce manuel.
- Placer les aliments dans des moules peu profonds, non couverts, telles des plaques à biscuit sans rebords.
- Si l'on dispose plusieurs moules sur une même grille, laisser au moins 1 po à 1,5 po (2,5 cm à 3,8 cm) d'espace entre les moules.
- Pour les gâteaux, utiliser les positions 2 et 5. Étager les moules de manière à ce que l'un ne soit pas placé directement au-dessus de l'autre (voir l'illustration suivante).



Convection MultiRack

Le mode Convection Multi-Rack utilise la chaleur diffusée par un troisième élément situé derrière la paroi arrière du four. La chaleur circule à l'intérieur de la cavité du four grâce au ventilateur à convection.

Le mode Convection Multi-Rack convient tout particulièrement aux aliments en portions individuelles, tels les biscuits et les biscottes. Il est également efficace pour la cuisson sur plusieurs grilles (2 ou 3) en même temps. La cuisson des biscuits peut se faire sur 6 grilles différentes simultanément. Dans ce cas, le temps de cuisson augmente légèrement.

Les avantages du mode Multi-Rack comprennent :

- Un brunissage uniforme.
- Des économies de temps provenant de l'utilisation de plusieurs grilles en même temps.

Conseils

- Réduire la température du four indiquée dans la recette de 25 °F (3,9 °C) si le mode Conversion Convection Auto n'est pas activé.
- Placer les aliments dans des plats peu profonds, non couverts, telles des plaques à biscuit sans rebords.
- Si l'on dispose plusieurs plats sur une même grille, laisser au moins 1 po à 1,5 po (2,5 cm à 3,8 cm)^{1/2} d'espace entre les plats. Étager les plats de manière à ce que l'un ne soit pas placé directement au-dessus de l'autre.

Pizza

En mode **Pizza**, la chaleur diffusée par les éléments supérieur et inférieur circule dans la cavité du four grâce au ventilateur à convection.

Le mode Pizza convient pour les pizzas fraîches ou congelées.

Conseils

- Il se peut qu'il ait une légère diminution du temps de cuisson. Vérifier la durée minimale inscrite sur l'emballage.
- Lorsque vous faites cuire une pizza congelée :
Pour obtenir une croûte croustillante, placer la pizza directement sur la grille.
Pour obtenir une croûte plus molle, utiliser une plaque à pizza.
- Pour apprêter la pâte à pizza, badigeonner celle-ci d'huile d'olive et la mettre dans un saladier couvert hermétiquement d'un film étirable pour éviter qu'une croûte ne se forme à la surface.
- Saupoudrer de la semoule de maïs sur la plaque à pizza pour éviter que la pâte n'attache.
- Si vous utilisez une palette à pizza, saupoudrer généreusement celle-ci de semoule de maïs pour transférer la pâte sur la plaque.
- Si vous faites cuire à blanc une pâte à pizza faites à la main, piquer le fond avec une fourchette avant de la mettre au four.
- Si vous utilisez un moule à pizza, choisir un moule foncé muni de trous pour obtenir une croûte plus croustillante et un moule non troué pour obtenir une croûte plus molle.
- Préchauffer les pierres à pizza en suivant les recommandations du fabricant pendant le préchauffage du four.
- Faire cuire les pizzas maison au centre de la grille et placer celle-ci en position 2.
- Pour les pizzas congelées, observer les recommandations du fabricant.
- Lors de l'utilisation du mode Pizza, le ventilateur à convection s'allume et s'éteint par intermittence.

Rôtissage

Le mode Rôtissage utilise à la fois les éléments supérieur et inférieur pour maintenir la température du four. Ce mode exige que l'élément supérieur produise une chaleur plus intense que celle diffusée par l'élément inférieur. Ceci permet d'obtenir des mets bien dorés à l'extérieur et particulièrement moelleux à l'intérieur.

Le mode Rôtissage convient parfaitement à la viande et à la volaille et aux coupes de viande moins tendres.

Conseils

- Il n'est pas nécessaire de préchauffer le four.
- Utiliser un plat à rôtir ou une rôtissoire. Couvrir le plat avec un couvercle ou une feuille d'aluminium pour faire cuire les coupes de viande moins tendres.
- Pour les coupes de viande moins tendres, ajouter des liquides, tels de l'eau, du jus, du vin, du bouillon ou un fond pour parfumer et mouiller la viande.
- Les sacs à rôtir se prêtent bien à ce mode de cuisson de même que les couvercles.
- Pour faire rôtir un poulet entier ou une dinde entiers, replier les ailes en dessous et attacher les cuisses de manière lâche avec de la ficelle de cuisine.

Rôtissage Convection

Le mode Rôtissage Convection utilise la chaleur diffusée par les éléments supérieur et inférieur ainsi que la chaleur qui circule dans la cavité grâce au ventilateur à convection.

Le mode Rôtissage Convection est bien adapté à la préparation des coupes de viande tendres et de la volaille. Il convient également au rôtissage des légumes.

Les avantages du mode Rôtissage Convection comprennent :

- Une cuisson jusqu'à 25 % plus rapide que les modes n'utilisant pas la Cuisson par Convection.
- Un brunissage riche, doré.

Conseils

- Il n'est pas nécessaire de préchauffer le four.
- Utiliser la température exacte indiquée sur la recette.
- Vérifier la cuisson au début car la durée de rôtissage peut être écourtée.
- Pour des exemples, consulter le tableau de cuisson de la viande/volaille.
- Utiliser un plat à rôtir avec une grille et une lèchefrite ou un plat peu profond, à découvert, doté d'une grille pour le rôtissage.
- Utiliser un thermomètre à viande pour déterminer la température interne de celle-ci.
- Si la viande est dorée à souhait, mais qu'elle n'a pas fini de cuire, vous pouvez la couvrir de papier d'aluminium pour qu'elle ne dore pas trop.
- Une fois la viande sortie du four, la couvrir avec du papier d'aluminium et laisser reposer de 10 à 15 minutes.
- Consulter les tableaux pour connaître les positions de grille recommandées.

Gril

Le mode Gril utilise la chaleur intense diffusée par l'élément supérieur.

Le mode Gril est parfaitement adapté à la cuisson des pièces de viande minces et tendres de 1 po (2,5 cm) d'épaisseur ou moins, de la volaille et du poisson. On peut l'utiliser également pour faire griller le pain et gratiner les plats en casserole. Toujours griller les aliments avec la porte fermée.

Les avantages du mode Gril comprennent :

- Une cuisson rapide et efficace.
- Une cuisson ne nécessitant pas l'ajout de matières grasses ou de liquides.

Conseils

- Préchauffer le four pendant 3 à 4 minutes. Ne pas préchauffer le four au-delà de 5 minutes.
- Le steak et les côtelettes doivent avoir au moins ¾ po (2 cm) d'épaisseur.
- Badigeonner le poisson et la volaille de beurre ou d'huile pour éviter qu'ils n'attachent pendant la cuisson.
- Pour le rôtissage, utiliser un plat à rôtir et une lèchefrite ou un plat profond doté d'une plaque-gril en métal.
- Ne pas recouvrir le grill-lèchefrite de papier d'aluminium. Il a été conçu pour faciliter l'écoulement des matières grasses sans contact avec la surface et éviter le dégagement de fumée et les éclaboussures.
- Tourner les viandes (autres que le poisson) une fois pendant la durée de cuisson. Le poisson n'a pas besoin d'être tourné.
- Pour faire gratiner les plats en casserole, utiliser uniquement des plats en métal ou en céramique de verre tels que Corningware®.
- Ne jamais utiliser de plats en verre résistant à la chaleur (Pyrex®); ils ne tolèrent pas les températures élevées.
- Pour les durées de cuisson au grill, consulter le tableau de cuisson de la viande/volaille.

Gril Convection

Le mode Gril Convection est similaire au mode Gril. Ce mode allie la chaleur intense diffusée par l'élément supérieur à l'air chaud qui circule sous l'action d'un ventilateur à convection.

Le mode Gril Convection est bien adapté à la cuisson des coupes de viande épaisses et tendres, de la volaille et du poisson. Le mode Gril Convection n'est pas recommandé pour le brunissage des pains, des plats en casserole et autres aliments. Utiliser toujours le mode Gril Convection avec la porte fermée.

Outre les avantages de la cuisson au grill normale, le mode Gril Convection est plus rapide.

La température doit être réglée entre 450 °F et 550 °F (230 °C et 285 °C) pour activer les modes Gril et Gril Convection.

Conseils

- Préchauffer le four pendant 3 à 4 minutes. Ne pas préchauffer le four au-delà de 5 minutes.
- Le steak et les côtelettes doivent avoir au moins 1½ po (2,5 cm) d'épaisseur.
- Pour le rôtissage, utiliser un plat à rôtir et une lèchefrite ou un plat profond doté d'une plaque-gril en métal.
- Ne pas recouvrir le grill-lèchefrite de papier d'aluminium. Il a été conçu pour faciliter l'écoulement des matières grasses sans contact avec la surface et éviter le dégagement de fumée et les éclaboussures.
- Tourner les viandes (autres que le poisson) une fois pendant la durée de cuisson. Le poisson n'a pas besoin d'être tourné.
- Ne jamais utiliser de plats en verre résistant à la chaleur (Pyrex®); ils ne tolèrent pas les températures élevées.
- Pour les durées de cuisson au mode Gril Convection, consulter le tableau de cuisson de la viande/volaille.

Apprêt

Le mode Apprêt utilise les éléments supérieur et inférieur du four pour faire lever la pâte à pain ou d'autres types de pâtes à base de levure en les maintenant à basse température.

- Aucun préchauffage n'est nécessaire.
- L'apprêt consiste à faire lever la pâte à levure.
- La plage de température du mode Apprêt est comprise entre 85 °F et 110 °F (29 °C et 43 °C).
- La température par défaut du mode Apprêt est de 100 °F (38 °C).
- Couvrir sans serrer le bol ou l'ustensile de cuisson et utiliser une grille adaptée à la taille du contenant.
- Laisser la porte du four fermée et utiliser l'éclairage du four pour vérifier la levée de la pâte.

Maintien au chaud

En mode Maintien au Chaud, les éléments supérieur et inférieur maintiennent la température à un faible niveau dans la cavité du four pour conserver les aliments à la température adéquate jusqu'au service.

- Utiliser le mode de Maintien au Chaud pour conserver les aliments cuits au chaud jusqu'au moment de servir.
- Les températures du mode Maintien au Chaud vont de 140 °F à 220 °F (60 °C à 104 °C).
- La température par défaut du mode Maintien au Chaud est de 170 °F (77 °C).
- Protéger les aliments devant rester humides avec un couvercle ou du papier d'aluminium.

▲ ATTENTION

LORS DE L'UTILISATION DU MODE MAINTIEN AU CHAUD, SUIVRE LES RECOMMANDATIONS SUIVANTES :

- Ne pas utiliser le mode Maintien au Chaud pour faire chauffer des aliments froids.
 - Veiller à garder la nourriture à la bonne température. L'USDA recommande de maintenir les aliments chauds à 140 °F (60 °C) ou plus.
 - NE PAS maintenir des aliments au chaud pendant plus d'une heure.
-

Nettoyage et entretien – Four

Nettoyage du four

Nettoyage Auto

▲ AVERTISSEMENT

LORS DE L'UTILISATION DU RÉGLAGE NETTOYAGE AUTO

- De faibles quantités de monoxyde de carbone peuvent se dégager lors de l'élimination des salissures pendant le cycle d'autonettoyage et l'isolant en fibre de verre peut émettre de faibles quantités de formaldéhyde pendant les quelques premiers cycles autonettoyants. Pour minimiser l'exposition à ces substances, assurer une bonne ventilation en laissant une fenêtre ouverte, ou utiliser un ventilateur ou une hotte d'aération.
 - Les enfants ne doivent pas être laissés seuls ou sans surveillance à un endroit où des appareils électroménagers sont utilisés. Durant le cycle de nettoyage automatique, certaines parties de l'appareil peuvent poser un danger aux personnes qui n'ont pas les compétences des adultes concernant l'usage des appareils électroménagers et ne peuvent pas réagir comme le ferait un adulte devant des conditions potentiellement dangereuses.
 - Ne pas bloquer les événements du four pendant le cycle d'autonettoyage. Toujours faire fonctionner l'appareil en suivant les instructions de ce manuel.
 - Lors de l'autonettoyage, vérifier que la porte est verrouillée et ne s'ouvre pas. Si la porte ne se verrouille pas, ne pas lancer le Nettoyage Auto. Contacter le service après-vente.
-

Lors de l'autonettoyage, le four est chauffé à une température très élevée. Les salissures sont brûlées sous l'action de cette température.

▲ ATTENTION


ÉVITER LES RISQUES D'ENDOMMAGEMENT

- Essuyer les déversements importants avant de procéder à l'autonettoyage du four.
 - Ne pas nettoyer les pièces ou accessoires dans le four autonettoyant.
-

Nettoyage Auto

1. Retirer tous les accessoires et toutes les grilles du four.
2. Si un mode de cuisson est activé pour le four sélectionné, appuyer sur **Oven Clear/Off** (Four Effacer/Désactiver) pour mettre fin au mode en fonctionnement.

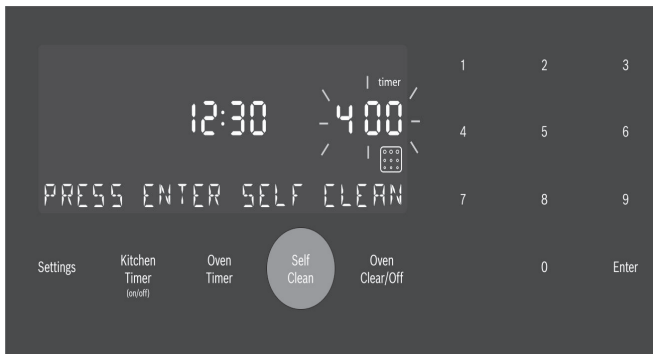
3. Appuyer sur la touche **Self Clean** (Nettoyage Auto) sous l'écran d'affichage.

L'icône du Nettoyage Auto  s'affiche à l'écran. La minuterie de la fonction Nettoyage Auto affiche 4 heures (4:00) par défaut et clignote pour indiquer que cette valeur peut être acceptée ou modifiée.

Pour confirmer la durée d'autonettoyage par défaut de 4 heures (4:00), appuyer sur **Entrée** sur le clavier numérique.


Pour saisir un nombre d'heures différent, utiliser le clavier numérique. La valeur saisie doit se situer entre 2:00 et 4:00 heures. Si une valeur saisie est inférieure à 2:00 ou supérieure à 4:00, une tonalité d'erreur retentit et un message s'affiche.

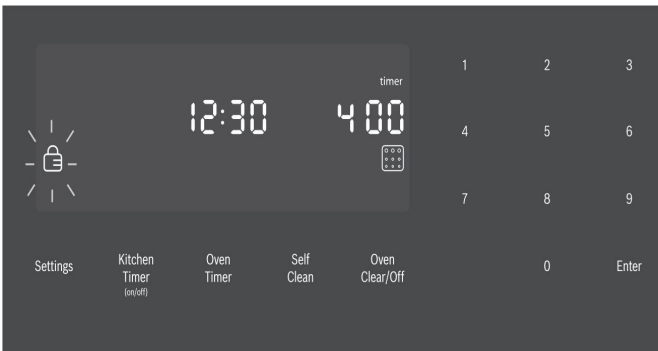
Utiliser un réglage plus long pour un four très sale.



4. Lorsque la durée d'autonettoyage voulue est affichée, appuyer sur **Entrée** sur le clavier numérique.

La porte du four se verrouille avant le début du cycle d'autonettoyage.

Le symbole de verrou de porte  est affiché et clignote pendant le verrouillage de la porte. Une fois la porte verrouillée, le symbole de verrou de porte reste allumé, mais il ne clignote plus.



Le symbole de verrou de porte reste allumé tant que le mode Nettoyage Auto n'est pas terminé.

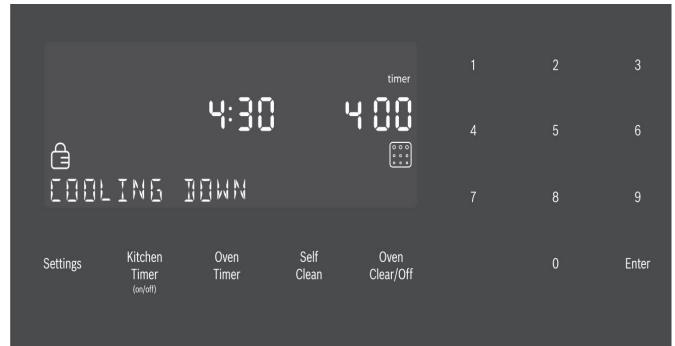
Remarque : La porte reste fermée jusqu'à ce que le four ait refroidi, une fois l'autonettoyage terminé. La porte peut être ouverte de nouveau uniquement lorsque le message **Self Clean** (Nettoyage Auto) s'efface de l'écran.

5. Le processus **d'autonettoyage** démarre et la minuterie d'autonettoyage du four débute son compte à rebours.

Annuler le mode Nettoyage Auto

Appuyer sur la touche **Oven Clear/Off** (Four Effacer/Désactiver) pour annuler le mode Nettoyage Auto.

Lorsque la minuterie de la fonction Nettoyage Auto s'arrête, par sécurité, l'unité doit refroidir avant que la porte puisse être déverrouillée. Pendant ce délai, le message « **COOLING DOWN** » (Refroidissement en cours) s'affiche.



6. Lorsque la période de refroidissement est terminée, le message « **SELF CLEAN FINISHED** » (Nettoyage Auto terminé) s'affiche. Continuer à faire attention en ouvrant la porte du four.



7. Appuyer sur **Oven Clear/Off** (Four Effacer/Désactiver) pour effacer les données affichées à l'écran une fois l'autonettoyage terminé.
8. Une fois le four refroidi et la porte déverrouillée, essuyer les cendres à l'intérieur du four à l'aide d'un chiffon humide.

Remarques

- L'éclairage du four ne peut pas être allumé pendant le cycle d'autonettoyage.
- L'émail résistant à la chaleur spécial et les éléments polis du four peuvent présenter une décoloration au fil du temps. Cela est normal et ne nuit en rien au fonctionnement du four. Ne pas utiliser des tampons à récurer ou des produits de nettoyage abrasifs pour tenter d'éliminer les décolorations.

Éviter ces produits de nettoyage

Ne pas utiliser les produits de nettoyage commerciaux tels que Easy Off®. Ils risquent d'abîmer le fini ou les pièces du four.

Le chlore ou des composés chlorés contenus dans certains produits de nettoyage peuvent oxyder l'acier inoxydable. Vérifier les ingrédients sur l'étiquette.

Ne jamais utiliser des tampons à récurer ou des produits de nettoyage abrasifs.

Guide de nettoyage du four

Pièce	Recommandations
Grille plate	Laver avec de l'eau savonneuse. Rincer à fond et sécher ou frotter doucement avec de la poudre à récurer ou des tampons savonneux en suivant les instructions. NE PAS nettoyer la grille dans le four autonettoyant. Si les grilles plates sont nettoyées dans le four en mode autonettoyant, elles perdront de leur finition brillante et peuvent ne plus glisser uniformément. Si cela se produit, frotter les bords de la grille d'une petite quantité d'huile végétale. Puis, enlever l'excédent.
Grille télescopique	Laver avec de l'eau savonneuse. Rincer à fond et sécher ou frotter doucement avec de la poudre à récurer ou des tampons savonneux en suivant les instructions. Éviter de mettre de la poudre à récurer dans les glissières télescopiques. Il peut s'avérer nécessaire de lubrifier à nouveau les glissières. Utiliser uniquement des lubrifiants pour haute température de qualité alimentaire pour lubrifier les glissières. NE PAS nettoyer la grille dans le four autonettoyant.
Joint en fibre de verre	Ne pas nettoyer le joint en fibre de verre. Le joint de la porte est essentiel pour maintenir une bonne étanchéité. Prendre soin de ne pas frotter, endommager ou déplacer le joint.

Pièce	Recommandations
Verre	Laver avec de l'eau ou du savon ou avec un nettoyant pour vitres. Utiliser Fantastik® ou Formula 409® avec une éponge propre ou du papier absorbant et essuyer. Éviter les agents nettoyants à base de poudre, les tampons métalliques et les produits à nettoyer les fours.
Surfaces peintes	Nettoyer avec de l'eau chaude savonneuse ou appliquer les produits Fantastik® ou Formula 409® sur une éponge propre ou du papier absorbant et essuyer. Éviter les agents nettoyants à base de poudre, les tampons métalliques et les produits à nettoyer les fours.
Surfaces en porcelaine	Essuyer immédiatement les déversements acides tels que jus de fruits, lait et tomates avec un chiffon sec. Ne pas utiliser d'éponge ou de chiffon humide sur la porcelaine chaude. Dès que la surface est froide, nettoyer avec de l'eau chaude savonneuse ou appliquer du Bon-Ami® ou du Soft Scrub® sur une éponge humide. Rincer et sécher. Pour les taches tenaces, utiliser des tampons savonneux. Il est normal, qu'au fil du temps, de fines lignes apparaissent sur la porcelaine à cause de la chaleur et des salissures.
Surfaces en acier inoxydable	Ne jamais laisser des taches alimentaires ou du sel sur de l'acier inoxydable. Toujours essuyer ou frotter dans le sens du poli. Nettoyer avec une éponge savonneuse, puis rincer et sécher ou essuyer avec du Fantastik® ou du Formula 409® vaporisé sur du papier absorbant. Protéger et polir en utilisant du Stainless Steel Magic® et un chiffon doux. Éliminer les traces d'eau avec un chiffon humide imprégné de vinaigre blanc. Utiliser Bar Keeper's Friend® pour éliminer les traces d'échauffement. Le chlore ou des composés chlorés contenus dans certains produits de nettoyage peuvent oxyder l'acier inoxydable. Vérifier les ingrédients sur l'étiquette.
Plastique et commandes	Lorsque refroidis, nettoyer avec de l'eau savonneuse, rincer et sécher.

Pièce	Recommandations
Sonde	Essuyer avec de l'eau savonneuse. Ne pas plonger dans l'eau. Ne pas laver au lave-vaisselle.
Zones de texte imprimé (mots et chiffres)	N'utilisez pas de nettoyants abrasifs ou de solvants à base de pétrole.

Entretien


Remplacement de l'ampoule du four

⚠ ATTENTION

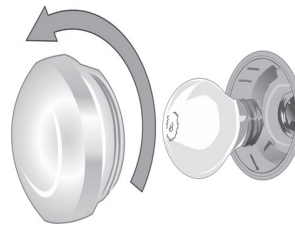
AU MOMENT DE REMPLACER UNE AMPOULE DU FOUR :

- S'assurer que l'appareil et l'éclairage sont froids et veiller à couper l'alimentation électrique de l'appareil avant de remplacer la ou les ampoules. Le non-respect de cette précaution pourrait entraîner un choc électrique ou des brûlures.
- Les lentilles doivent être en place lors de l'utilisation de l'appareil.
- Elles permettent d'éviter que les ampoules ne se cassent.
- Les lentilles sont en verre. Manipuler avec précaution pour éviter les cassures. Les éclats de verre peuvent blesser quelqu'un.
- La douille d'éclairage est sous tension lorsque la porte est ouverte.

Spécifications des ampoules :

Description de l'ampoule	Illustration de l'ampoule
40 watts, ampoule pour appareil électroménager, base Edison standard.	

Pour remplacer l'ampoule :



- Couper l'alimentation du four au tableau de distribution principal (boîte à fusibles ou boîtier de disjoncteurs).
- Retirer le couvercle de verre en le dévissant. Tourner le verre dans le sens contraire des aiguilles d'une montre pour l'enlever.
- Retirer l'ampoule. L'ampoule se dévisse dans le sens contraire des aiguilles d'une montre.
- Saisir la nouvelle ampoule avec un chiffon propre et sec pour éviter le dépôt d'huiles cutanées sur le verre qui pourrait entraîner une défaillance prématurée de l'ampoule. Replacer l'ampoule en la vissant dans le sens des aiguilles d'une montre.
- Revisser le couvercle de verre.
- Allumer l'alimentation du four au tableau de distribution principal (boîte à fusibles ou boîtier de disjoncteurs).

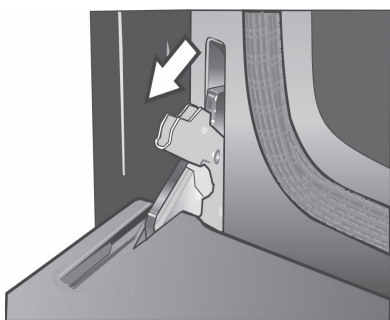
Démontage de la porte du four

⚠ AVERTISSEMENT

- Avant de démonter la porte, s'assurer que le four est froid et que le courant qui l'alimente a été coupé. Le non-respect de cette précaution pourrait entraîner un choc électrique ou des brûlures.
- La porte du four est lourde et certaines parties sont fragiles. L'enlever à deux mains. Le devant de la porte est en verre. À manipuler avec précaution pour éviter les cassures.
- Saisir uniquement les côtés de la porte. Ne pas saisir la poignée, car elle peut pivoter dans la main et causer des dommages ou des blessures.
- Si la porte du four n'est pas saisie fermement et correctement, il y a un risque de lésion corporelle ou de dommage à l'appareil.
- Pour éviter toute blessure causée par l'enclenchement soudain du support de charnière, s'assurer que les deux leviers sont bien enclenchés avant d'enlever la porte. En outre, ne pas forcer la porte pour l'ouvrir ou la fermer car la charnière risque de s'abîmer et de causer des blessures.
- Ne pas déposer la porte sur des objets acérés ou pointus car ils risquent de briser la vitre. Poser la porte sur une surface plane et lisse afin qu'elle ne risque pas de tomber.

Pour prévenir les blessures ou les dommages, veiller à lire l'AVERTISSEMENT ci-dessus avant de tenter de démonter la porte du four.

1. Ouvrir complètement la porte du four.
2. Basculer les leviers de fermeture des charnières vers soi.



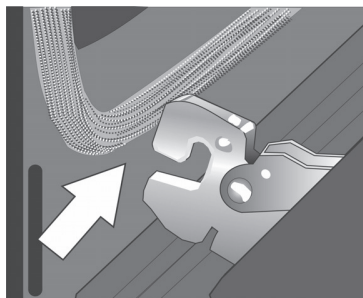
Remarque : Il est parfois nécessaire d'utiliser un outil, tel un tournevis, pour forcer délicatement la partie supérieure du levier pour dégager celui-ci du bâti. Faire attention à ne pas rayer le bâti.

3. Mettre les deux leviers de charnière en position abaissée comme le montre l'illustration. Les charnières gauche et droite de la porte diffèrent légèrement mais fonctionnent de la même manière.

4. Fermer la porte du four jusqu'à ce qu'elle s'accroche sur les leviers d'arrêt des charnières, verrouillant ainsi les charnières au bon angle pour le démontage de la porte. La porte sera ouverte d'environ 7 po (17,8 cm) sur la partie supérieure. Cela a pour effet d'éliminer la tension des ressorts exercée sur les charnières ce qui permet de soulever aisément la porte.



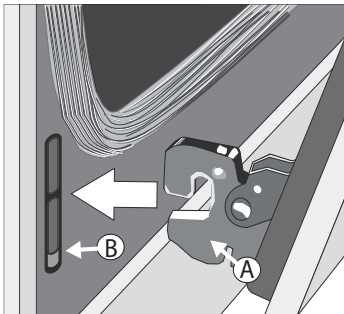
5. La porte est lourde. Saisir la porte fermement à deux mains en la prenant par les côtés. Ne pas saisir la porte par la poignée. Tout en maintenant l'angle de la porte, soulever la porte à la verticale d'environ 3/4 po (2 cm) pour dégager les charnières de leur logement, puis la tirer vers soi jusqu'à ce que les charnières soient dégagées du bâti du four.



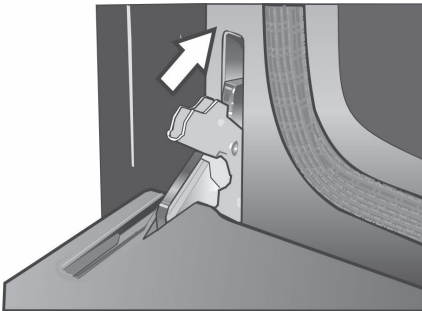
6. Placer la porte dans un endroit pratique et stable pour le nettoyage.

Remontage de la porte du four

1. En tenant fermement la porte des deux mains, la saisir de chaque côté et non pas par la poignée.
2. Incliner légèrement la porte vers soi, jusqu'à ce que sa partie supérieure s'ouvre d'environ 7 po (18 cm).
3. Glisser les charnières dans leurs logements jusqu'en butée, puis baisser la porte. L'angle de la porte peut nécessiter un léger ajustement pour permettre d'engager les charnières convenablement et d'abaisser la porte en place. La porte devrait s'abaisser d'environ 2 cm ($\frac{3}{4}$ po) et s'arrêter. Si ce n'est pas le cas, les charnières ne sont pas convenablement engagées et la porte pourrait tomber si elle est relâchée.



4. Une fois les deux charnières complètement engagées, tel que décrit à l'étape 3, doucement ouvrir la porte jusqu'à ce qu'elle soit complètement ouverte.
5. Poussez les loquets à levier sur les deux charnières vers le haut et l'avant, jusqu'à ce qu'ils s'enclenchent dans leurs logements, affleurant à l'avant du four.



6. Fermer et ouvrir la porte lentement pour s'assurer qu'elle est correctement et solidement installée.

Fonctionnement - Tiroir chauffant

Cette section explique comment utiliser le tiroir chauffant. Consulter « Tirer le meilleur parti de votre tiroir chauffant », pour améliorer le rendement du tiroir chauffant.

À propos du tiroir chauffant

Le tiroir chauffant conserve les aliments cuits au chaud à la température de service. Les réglages du tiroir chauffant sont faible, moyen, élevé.

Spécifications du tiroir chauffant :

Intérieur du tiroir : L25 po x P17 po x H3 po
(L63,5 cm x P43 cm x H7,6 cm)

Taille des plats :

- 2 plats en Pyrex de 3 litres 9 po x 13 po (23 cm x 33 cm), côte à côte
- 2 plats en Pyrex de 4 litres 9,5 po x 15 po (24 cm x 38 cm), côte à côte
- 4 assiettes de 10,5 po (27 cm) individuelles ou empilées
- 3 assiettes de 11 po (28 cm) individuelles ou empilées

Fonctionnement

⚠ ATTENTION

Pour préserver la sécurité des aliments, suivre ces recommandations :

- NE PAS utiliser le tiroir chauffant pour y chauffer des aliments froids (exception : il est sécuritaire d'utiliser le tiroir pour y faire croustiller des craquelins, des chips ou des céréales sèches et garder des assiettes au chaud).
- Veiller à garder la nourriture à la bonne température. L'USDA recommande de maintenir les aliments chauds à 140 °F (60 °C) ou plus.
- NE PAS maintenir des aliments au chaud pendant plus d'une heure.
- Les contenants de plastique, les pellicules de plastique ou le papier d'aluminium peuvent fondre en cas de contact direct avec le tiroir ou un ustensile de cuisson chaud. Si le plastique fond sur le tiroir, il peut ne pas être possible de l'enlever.

Préchauffage

Pour de meilleurs résultats, préchauffer le tiroir chauffant en maintenant de la nourriture au chaud.

Durée de préchauffage

- Faible : 10 minutes
- Moyen : 15 minutes
- Élevé : 20 minutes

Allumer ou éteindre le tiroir chauffant

1. Appuyer sur la touche **Warming Drawer** (Tiroir chauffant).
2. WARMING DRAWER (Tiroir chauffant) s'affiche avec le réglage par défaut à « MED » (Moyen). L'icône ambrée du tiroir chauffant s'affiche sous l'horloge.
3. Pour confirmer le réglage moyen, appuyer sur **Enter** (Entrée). Le réglage est confirmé et l'icône du tiroir chauffant reste allumée. Si la touche Enter (Entrée) n'est pas appuyée, le réglage du tiroir chauffant n'est pas accepté et le tiroir chauffant s'éteint.
4. Pour modifier le réglage lorsque « MED » est affiché, appuyer de nouveau sur la touche du **tiroir chauffant**. Le réglage passe à « HIGH » (Élevé). Pour modifier le réglage à « LOW » (Faible), appuyer de nouveau sur la touche du **tiroir chauffant**.
Pour confirmer un réglage, appuyer sur **Enter** (Entrée).
Le réglage affiché sera confirmé et l'icône du tiroir est allumé sous l'horloge, indiquant que le tiroir chauffant est activé.
5. Pour éteindre le tiroir chauffant, appuyer sur la touche du **tiroir chauffant** et le tiroir chauffant s'éteindra. L'icône du tiroir chauffant ne s'affichera plus sous l'horloge.

Mode Shabbat

Le tiroir chauffant peut aussi fonctionner en mode Shabbat, mais SEULEMENT si le four est en mode Shabbat. Il n'est pas possible de faire fonctionner le tiroir chauffant seul en mode Shabbat. Simplement démarrer la fonction désirée du tiroir chauffant et activer le mode Shabbat dans la cavité du four. Le tiroir chauffant et le four fonctionneront en mode Shabbat jusqu'à ce que la minuterie atteigne zéro. Il n'est pas possible de changer la température du tiroir chauffant en mode Shabbat.

Maintenir au chaud des bols et des assiettes vides

- N'utiliser que de la vaisselle résistante à la chaleur.
- Chauffer les plats de cuisson à réglage faible.
- Vérifier la température du plat pendant la période de maintien au chaud.
- Disposer les assiettes et les plats froids dans un tiroir chauffant froid. Ne pas préchauffer le tiroir avant d'y disposer les plats.

Tirer le meilleur parti de votre tiroir chauffant

À propos de l'appareil

Le tiroir chauffant conserve les aliments cuits au chaud à la température de service. Toujours commencer par des aliments chauds. NE PAS utiliser pour chauffer des aliments froids. Il est sécuritaire d'utiliser le tiroir pour y faire croustiller des craquelins, des chips ou des céréales sèches et garder des assiettes au chaud.

Le tiroir est doté d'un poussoir. Pousser sur le devant du tiroir pour déclencher son ouverture.

Conseils généraux

Se reporter au tableau du tiroir chauffant pour obtenir les réglages recommandés.

- Pour maintenir plusieurs aliments au chaud, régler la température sur celle de l'aliment qui nécessite le réglage le plus élevé.
- Placer les plats qui ont besoin d'un réglage plus élevé sur les côtés du tiroir et ceux qui ont moins besoin de chaleur, au centre du tiroir.
- Les mets devraient être à la température de service (supérieure à 140 °F [60 °C]) avant d'être placés dans le tiroir chauffant. NE PAS utiliser le tiroir chauffant pour y chauffer des aliments froids, si ce n'est pour y faire croustiller des craquelins, des chips ou des céréales sèches et garder des assiettes ou des plats au chaud.
- Préchauffer un plat de service vide en préchauffant le tiroir, si désiré.
- Placer le mets cuit, chaud, dans son plat de cuisson le tiroir chauffant ou dans un plat résistant à la chaleur.
- Il est possible de couvrir le plat de papier d'aluminium. NE PAS doubler le tiroir chauffant de papier d'aluminium.
- Ne pas utiliser le tiroir chauffant comme tiroir de rangement.

Utilisation de l'appareil

▲ ATTENTION

Pour préserver la sécurité alimentaire, ne pas laisser les mets dans le tiroir plus d'une heure avant ou après leur cuisson.

IMPORTANT :

Les contenants de plastique ou les pellicules de plastique peuvent fondre en cas de contact direct avec le tiroir ou un ustensile chaud. Si le plastique fond sur le tiroir, il peut ne pas être possible de l'enlever.

Remarque : N'utiliser que de la vaisselle résistante à la chaleur.

Préchauffage

Pour de meilleurs résultats, préchauffer le tiroir chauffant en maintenant de la nourriture au chaud.

Durée de préchauffage

- Faible : 10 minutes
- Moyen : 15 minutes
- Élevé : 20 minutes

Maintenir au chaud des bols et des assiettes vides

- N'utiliser que de la vaisselle résistante à la chaleur.
- Chauffer les plats de cuisson à réglage faible.
- Vérifier la température du plat pendant la période de maintien au chaud.
- Disposer les assiettes et les plats froids dans un tiroir chauffant froid. Ne pas préchauffer le tiroir avant d'y disposer les plats.

Faire croustiller des aliments rassis

Placer l'aliment dans un plat peu profond.

1. Appuyer sur **LOW** (Faible).
2. Préchauffer pendant 10 minutes, puis placer le plat dans le tiroir.
3. Régler la minuterie du tiroir.
4. Vérifier le croustillant après 45 minutes. Ajouter du temps, si nécessaire.

Températures recommandées

Aliment/Ustensile de cuisson	Réglage	Plat couvert
Bacon	ÉLEVÉ	Non
Bœuf, à point et bien cuit	MOYEN	Non
Bœuf, rosé	FAIBLE	Non
Pain, petits pains croustillants	MOYEN	Non
Pain, petits pains moelleux, petits gâteaux	MOYEN	Oui
Biscuits	MOYEN	Oui
Plats en casserole	MOYEN	Oui
Œufs	MOYEN	Oui
Poissons, fruits de mer	MOYEN	Oui

Aliments frits	ÉLEVÉ	Non
Sauce, sauces à la crème	MOYEN	Oui
Jambon	MOYEN	Oui
Crêpes	ÉLEVÉ	Oui
Tartes, croûte simple	MOYEN	Oui
Tartes, double croûte	MOYEN	Non
Pizza	ÉLEVÉ	Non
Porc	MOYEN	Oui
Pommes de terre, au four	ÉLEVÉ	Oui
Pommes de terre, purée	MOYEN	Oui
Volaille, rôtie	MOYEN	Oui
Légumes	MOYEN	Oui
Assiettes	FAIBLE	Non
Plat de nourriture	MOYEN	Oui

Nettoyage et entretien – Tiroir chauffant

⚠ ATTENTION

Pour éviter les brûlures, ne pas retirer le tiroir quand il est chaud. Vérifier que le tiroir est vide avant de le retirer.

Remarque : Le tiroir chauffant s'ouvre avec un mécanisme de poussoir (Push-To-Open). Dans ce chapitre, il est désigné sous l'acronyme PTO.

Nettoyer le tiroir chauffant

Pièce	Recommandations
Tiroir intérieur (acier inoxydable poli)	Utiliser un détergent à vaisselle. Laver, bien rincer et sécher. Pour les taches de calcaire ou de calamine, utiliser du vinaigre blanc. Appliquer avec une éponge ou un chiffon, rincer et sécher. Le chlore ou des composés chlorés contenus dans certains produits de nettoyage peuvent oxyder l'acier inoxydable et causer des blessures. Vérifier les ingrédients sur l'étiquette.

Surfaces peintes

Utiliser de l'eau chaude savonneuse ou des produits de nettoyage doux, tels que Fantastik® ou Formula 409®. Laver, bien rincer et sécher. Éviter les produits de nettoyage abrasifs, les tampons métalliques et les produits pour nettoyer les fours.

Cadre extérieur du tiroir (acier inoxydable brossé)

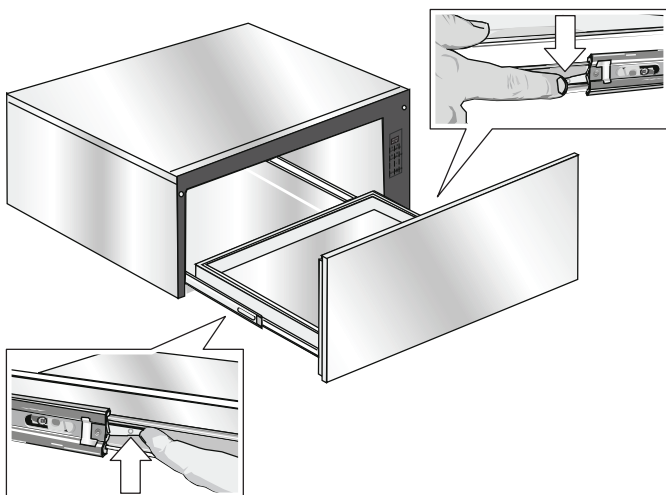
Essuyez ou frottez toujours dans la direction du poli. Nettoyer avec une éponge savonneuse, puis rincer et sécher ou essuyer avec du Fantastik® ou du Formula 409® vaporisé sur du papier absorbant. Protéger et polir en utilisant du Stainless Steel Magic® et un chiffon doux. Retirez les traces d'eau avec un chiffon humecté de vinaigre blanc. Utiliser Bar Keeper's Friend® pour éliminer les traces d'échauffement. Le chlore ou des composés chlorés contenus dans certains produits de nettoyage peuvent oxyder l'acier inoxydable. Vérifier les ingrédients sur l'étiquette.

Retirer le tiroir de son compartiment

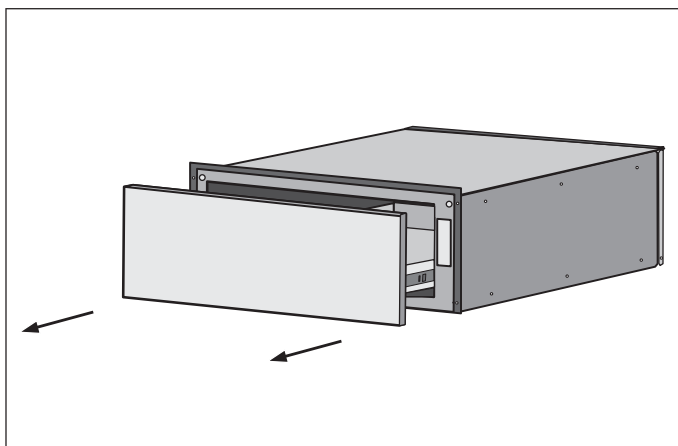
AVIS : Les instructions qui suivent sont celles recommandées par le fabricant pour retirer et installer le tiroir de façon à réduire le risque d'endommager le mécanisme PPO.

1. Retirez le tiroir de son compartiment.

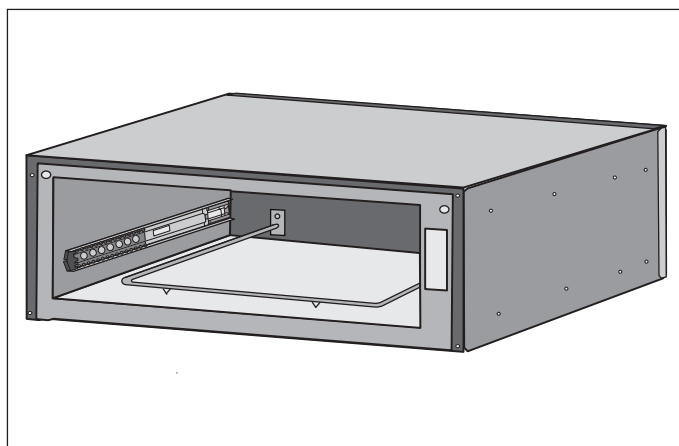
- Tirez sur le tiroir jusqu'à son ouverture complète.
- Appuyez sur le levier de dégagement du tiroir à droite.
- Relevez le levier de dégagement du tiroir à gauche.
- Tirez fermement le tiroir du compartiment.
- Rentez les glissières de l'armoire une fois le tiroir retiré.



2. En prenant les deux côtés du tiroir et en tirant droit et vers vous, retirez soigneusement le compartiment du tiroir. Cette étape pourrait nécessiter une force légère à modérée pour retirer complètement le tiroir.



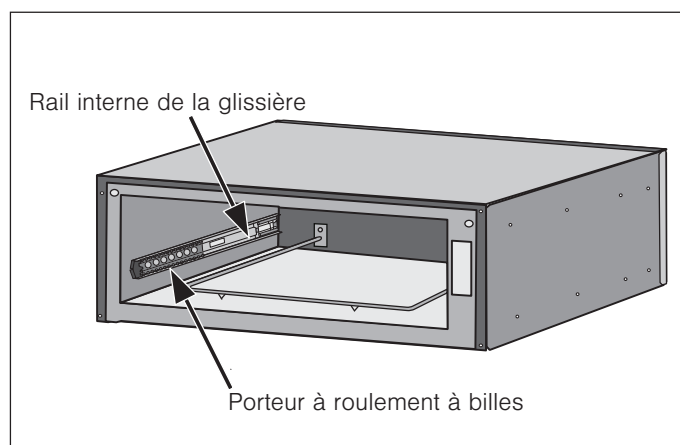
3. Installation ou entretien (nettoyage) du compartiment sans le tiroir.



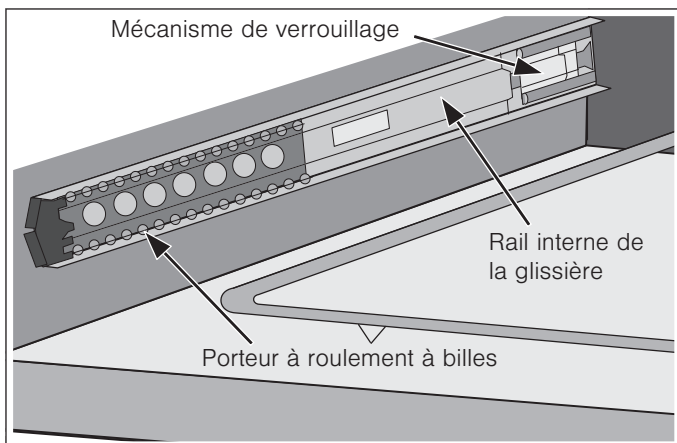
Installation du tiroir dans le compartiment

Les glissières fixées sur chaque côté du compartiment possèdent deux pièces mobiles : un rail intérieur et un porteur à roulement à billes qui doivent être placés de façon appropriée pour une installation et un alignement adéquats.

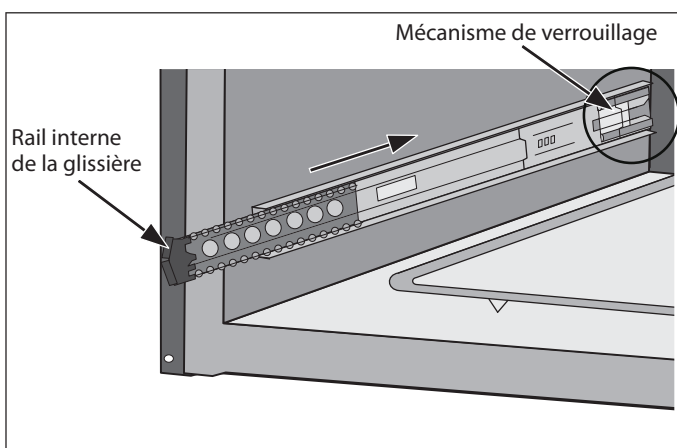
Un mécanisme de verrouillage se trouve également à l'arrière de chaque glissière.



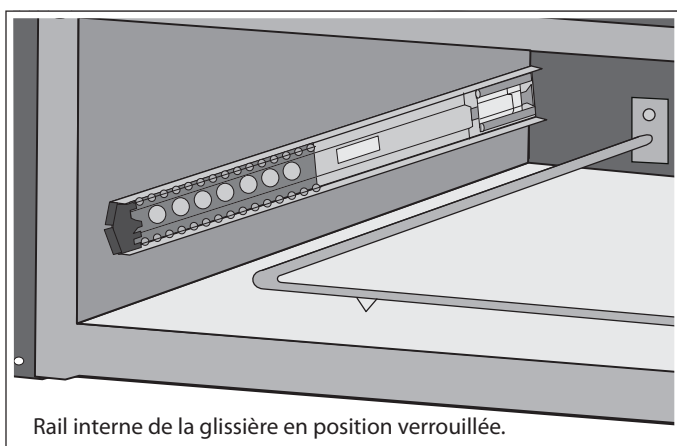
Remarque : Le compartiment du tiroir-réchaud devrait se trouver dans une position identique à celle de l'image ci-dessous avant de commencer l'installation. Le porteur à roulement à billes devrait être verrouillé en place dans le bout en plastique noir du rail intérieur situé sur la partie avant du rail intérieur.



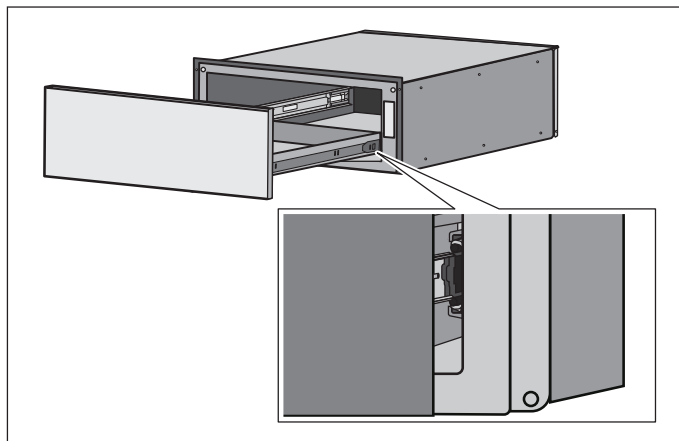
1. Sans que le tiroir ne soit en place, faites glisser le rail intérieur de la glissière jusqu'à la position de verrouillage du tiroir en poussant le rail intérieur de la glissière **vers l'arrière** jusqu'à ce qu'elle se verrouille en place.



Remarque : Une force modérée exercée sur le mécanisme de verrouillage du porteur à roulement à billes noir en plastique est requise pour placer la glissière dans la position de verrouillage du tiroir. Le tiroir est verrouillé lorsqu'il demeure en place et ne revient pas automatiquement en position ouverte.

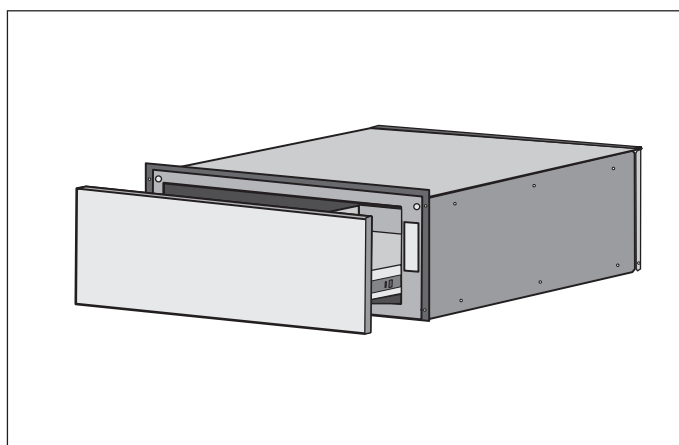


2. Placez l'assemblage du tiroir devant l'assemblage du compartiment et alignez le rail (bout en plastique du rail) avec l'assemblage du porteur à roulement à billes. Tout en gardant l'assemblage du tiroir droit et au niveau par rapport au compartiment, insérez doucement le tiroir dans l'assemblage du compartiment.



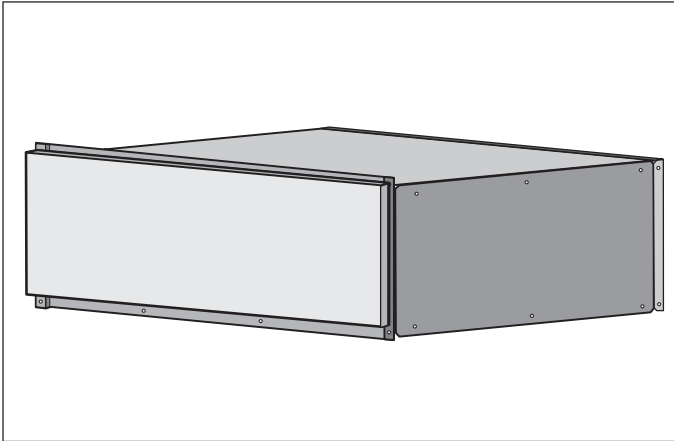
Remarques

- Une légère secousse de gauche à droite du tiroir pourrait être nécessaire pour assurer un alignement adéquat des roulements à billes.
 - **N'oubliez pas :** Vous tentez seulement d'aligner deux ensembles de roulements à billes à cette étape de l'installation. Si une force excessive doit être utilisée pour insérer le tiroir, retirez le tiroir et répétez la procédure d'installation.
3. Continuez d'insérer le tiroir, tout en gardant le tiroir droit et au niveau par rapport au compartiment, jusqu'à ce que sentiez une légère augmentation de la résistance à l'endroit approximatif indiqué ci-dessous.

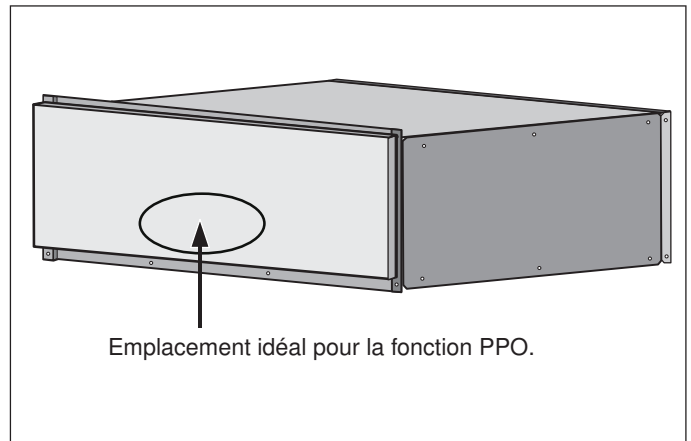


AVIS

- Dans cette position, une légère augmentation par petits coups de la force de fermeture à appliquer au tiroir est nécessaire pour assurer un alignement optimal et un fonctionnement approprié du tiroir.
- Vous devriez entendre un déclic lorsque le tiroir est fermé de façon appropriée, ce qui signifiera que le tiroir est également verrouillé en position fermée.



4. Vérifiez le fonctionnement du tiroir PPO en poussant sur le centre de la portion inférieure de l'avant du tiroir (l'endroit optimal pour la fonction).



Remarque : Il est à noter que l'endroit optimal recommandé pour l'ouverture du tiroir est la portion inférieure de l'avant du tiroir. Le tiroir fonctionne lorsqu'une pression est appliquée à n'importe quel endroit sur l'avant du tiroir, mais une pression accrue pourrait être nécessaire pour activer le mécanisme d'ouverture à certains endroits.

Dépannage

Foire aux questions (FAQ)

Utilisation de l'appareil

Pourquoi ne puis-je pas allumer la table de cuisson et pourquoi le symbole de verrou pour les enfants est-il allumé?

Le verrou pour enfant est activé.

Vous pouvez trouver davantage de renseignements sur cette fonction dans la section → "*Verrouillage du tableau de commande*"

Pourquoi les écrans clignotent-ils et pourquoi un signal sonore retentit-il?

Retirez tout reste de liquide ou de nourriture sur le panneau de commande. Retirez tout objet se trouvant sur le panneau de commande.

Vous pouvez trouver des instructions sur la façon de désactiver le signal sonore dans la section → "*Réglages de base*"

Bruits

Pourquoi entend-on des bruits pendant la cuisson?

En fonction de la composition du fond du récipient, des bruits peuvent se produire pendant l'utilisation de la table de cuisson. Ces bruits sont normaux et font partie de la technologie de chauffage par induction, et n'indiquent aucun défaut.

Bruits possibles :

Bourdonnement profond comme dans un transformateur :

Bruit généré lors d'une cuisson à puissance élevée. Le bruit disparaît ou s'atténue après réduction de la puissance de cuisson.

Sifflement grave :

Bruits

Généré quand le récipient est vide. Ce bruit disparaît lorsque de l'eau ou des aliments sont mis dans le récipient.

crépitement :

Généré avec des récipients composés de différents matériaux superposés ou en cas d'utilisation simultanée de récipients de différentes tailles et en matériaux différents. L'intensité du bruit peut varier en fonction de la quantité et du mode de préparation des aliments.

sifflements aigus :

Peuvent se produire lorsque deux foyers sont utilisés simultanément à la puissance de cuisson maximale. Les sifflements disparaissent ou s'atténuent dès que la puissance de cuisson est réduite.

Bruit du ventilateur :

La table de cuisson est dotée d'un ventilateur qui se met en marche en cas de températures élevées. Le ventilateur peut également continuer de tourner par inertie, une fois la table de cuisson éteinte, si la température détectée est encore trop élevée.

Ustensile de cuisine

Quels types d'ustensiles de cuisine peuvent être utilisés avec une table de cuisson à induction?

Vous pouvez trouver davantage de renseignements sur types d'ustensiles de cuisine pouvant être utilisés avec une table de cuisson à induction dans la section

Pourquoi l'élément ne chauffe-t-il pas et pourquoi le réglage de chaleur clignote-t-il?

L'élément où se trouve l'ustensile de cuisine n'est pas activé.

Vérifiez que vous avez activé l'élément approprié.

L'ustensile de cuisine est trop petit pour l'élément activé ou ne convient pas à la cuisson par induction.

Vérifiez que l'ustensile de cuisine convient à la cuisson par induction et qu'il est placé sur l'élément qui correspond le mieux à sa taille. Vous pouvez trouver davantage de renseignements sur le type, le format et le positionnement des ustensiles de cuisine dans les sections , et

Pourquoi l'ustensile de cuisine prend-il autant de temps à se réchauffer ou pourquoi n'est-il pas suffisamment chaud malgré un réglage de chaleur élevé?

L'ustensile de cuisine est trop petit pour l'élément activé ou ne convient pas à la cuisson par induction.

Vérifiez que l'ustensile de cuisine convient à la cuisson par induction et qu'il est placé sur l'élément qui correspond le mieux à sa taille. Vous pouvez trouver davantage de renseignements sur le type, le format et le positionnement des ustensiles de cuisine dans les sections , et

Nettoyage

Comment puis-je nettoyer la table de cuisson?

Utilisez un agent de nettoyage spécial conçu pour la vitrocéramique afin d'obtenir des résultats optimaux. Nous vous déconseillons d'utiliser des agents de nettoyage abrasifs ou agressifs, du détergent pour lave-vaisselle (concentré) ou des tampons à récurer.

Vous pouvez trouver davantage de renseignements sur le nettoyage et l'entretien de votre table de cuisson dans la section

Corrections des défaillances

Les défaillances sont généralement attribuables à de petits détails. Avant d'appeler le service d'assistance technique, tenir compte des conseils et avertissements suivants.

▲ ATTENTION

Les réparations devraient être effectuées uniquement par un réparateur autorisé.

Des réparations inappropriées sur votre appareil peuvent mener à des risques de blessures graves ou de décès.

Affichage	Cause possible	Solution
Rien	La source d'alimentation électrique a été coupée. L'appareil n'a pas été connecté correctement selon le schéma de raccordement. Défaillance du système électronique.	Utilisez d'autres appareils électriques pour voir si un court-circuit s'est produit dans l'alimentation. Vérifiez que l'appareil a été raccordé correctement selon le schéma de raccordement. Si les mesures ci-dessus ne peuvent corriger la défaillance, contactez le service d'assistance technique.
L'écran clignote.	Le panneau de commande est humide ou un objet le couvre.	Séchez la zone du panneau de commande ou enlevez l'objet qui le couvre.
L'indicateur – clignote dans les écrans des éléments	Une défaillance est survenue dans le système électronique.	Pour confirmer la défaillance, couvrez le panneau de commande avec la main.
F2	Le système électronique a surchauffé et l'élément correspondant a été éteint.	Attendez que le système électronique se soit complètement refroidi. Ensuite, touchez n'importe quel symbole sur la table de cuisson.
F4	Le système électronique a surchauffé et tous les éléments ont été éteints.	
F5 + réglage de chaleur et signal sonore	Il y a un plat de cuisson chaud dans la zone du panneau de commande. Il y a un risque que le système électronique surchauffe.	Retirez le plat de cuisson. L'affichage de défaillance disparaît rapidement par la suite. Vous pouvez continuer de cuisiner.
F5 et signal sonore	Il y a un plat de cuisson chaud dans la zone du panneau de commande. Pour protéger le système électronique, l'élément a été éteint.	Retirez le plat de cuisson. Attendez quelques secondes. Touchez n'importe quelle commande. Si l'affichage de défaillance disparaît, vous pouvez continuer de cuisiner.
F1/F6	L'élément a surchauffé et s'est éteint automatiquement pour protéger la surface de travail.	Attendez que le système électronique se soit complètement refroidi et activez de nouveau l'élément.
F8	L'élément chauffant a été en fonctionnement continu pendant trop longtemps.	La fonction de désactivation automatique de sécurité a été activée. Consultez la section "Durée limitée automatique".
E9000 E90 10	La tension d'alimentation est incorrecte et à l'extérieur des limites de fonctionnement normales.	Contactez votre distributeur d'électricité.
E90 11	La table de cuisson n'est pas branchée de façon adéquate.	Débranchez la table de cuisson de la source d'alimentation. Vérifiez que l'appareil a été raccordé correctement selon le schéma de raccordement.
dE	Le mode démo est activé	Débranchez la table de cuisson de la source d'alimentation. Attendez 30 secondes avant de la rebrancher. Touchez n'importe quelle commande dans les trois minutes qui suivent. Le mode démo est désactivé.

Ne posez aucun plat de cuisson chaud sur le panneau de commande.

Remarques

- Lorsque le symbole **E** apparaît dans l'affichage, vous devez maintenir enfoncé le capteur du foyer correspondant afin de pouvoir lire le code d'erreur.
- Si le code d'erreur n'apparaît pas dans le tableau, débranchez la table de cuisson du réseau, patientez 30 secondes, puis raccordez-la de nouveau. Si l'afficheur apparaît encore, contactez le service après-vente technique et transmettez le code d'erreur exact.

Test de la vaisselle

Cette fonction permet de contrôler la rapidité et la qualité du processus de cuisson en fonction du récipient.

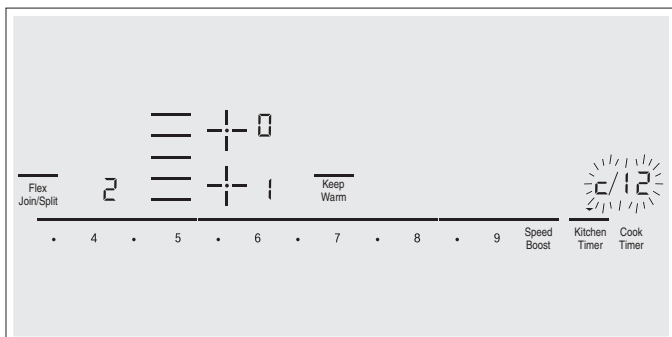
Le résultat est une valeur de référence et dépend des caractéristiques du récipient et du foyer utilisé.

- Remplissez l'ustensile de cuisine encore froid avec 200 ml (8 oz) d'eau et placez-le au centre de la zone de cuisson au diamètre se rapprochant le plus de celui de la base de l'ustensile de cuisson.
- Accédez aux réglages de base et sélectionnez le réglage **c 12**.

3. Touchez la zone des réglages. — clignotera à l'écran de la zone de cuisson.

La fonction est maintenant activée.

Après 10 secondes, le résultat de la qualité et de la vitesse du processus de cuisson apparaîtra sur l'écran de la zone de cuisson.



Contrôlez le résultat à l'aide du tableau suivant :

Résultat

1 Le récipient n'est pas compatible pour le foyer, ce qui explique pourquoi il ne chauffe pas.*

* En présence d'un foyer plus petit, testez de nouveau le récipient sur le foyer plus petit.

Résultat

1 Le récipient chauffe plus lentement que prévu et le processus de cuisson n'est pas optimal.*

2 Le récipient chauffe correctement et le processus de cuisson est correct.

* En présence d'un foyer plus petit, testez de nouveau le récipient sur le foyer plus petit.

Pour réactiver cette fonction, effleurez la zone de réglage.

Remarques

- La zone de cuisson polyvalente compte comme un seul élément, ne l'utilisez pas avec plus d'un ustensile de cuisson.
- Si le diamètre de la zone de cuisson utilisée est beaucoup plus petit que le diamètre de l'ustensile de cuisson, seule la portion centrale de l'ustensile de cuisson sera chauffée. Cela pourrait avoir un impact sur les résultats de cuisson, qui pourraient être imprévisibles ou ne pas être satisfaisants.
- De plus amples renseignements sur cette fonction figurent à la section → "Réglages de base"
- De plus amples renseignements sur le type, le format et le positionnement des ustensiles de cuisson figurent à la section « Ustensiles de cuisson ».

Dépannage pour le four

Utiliser ces suggestions avant d'appeler le service après-vente, de manière à éviter des frais de service.

Problème de four	Causes possibles et solutions suggérées
Le mode de cuisson ou la température du four ou les chiffres sélectionnés ne s'affichent pas à l'écran	Revoir les instructions du manuel pour le réglage de l'horloge, de la minuterie ou du Nettoyage Auto.
La porte du four est verrouillée et refuse de s'ouvrir, même après le refroidissement	Mettre le four hors circuit au disjoncteur et attendre 5 minutes. Remettre le disjoncteur en circuit. Le four devrait se réinitialiser et être fonctionnel.
Le four ne chauffe pas	Vérifier le disjoncteur ou le coffret à fusibles de la résidence. S'assurer que l'alimentation électrique du four est adéquate. S'assurer que la température du four a été sélectionnée.
Le four ne cuit pas uniformément	Ajuster le calibrage, si nécessaire (voir « Changer la température du four » dans ce manuel). Consulter les tableaux de cuisson pour connaître les positions de grille recommandées.
Les résultats de cuisson ne sont pas satisfaisants	Consulter les tableaux de cuisson pour connaître les positions de grille recommandées. Consulter « Tirer le meilleur parti de votre appareil » pour des conseils et des suggestions. Ajuster le calibrage, si nécessaire (voir « Changer la température compensée » dans ce manuel).
La durée de cuisson des aliments est plus longue que prévue	Le four est soigneusement calibré de manière à offrir des résultats précis. Toutefois, si les aliments sont systématiquement trop ou pas assez dorés, la température peut être ajustée pour compenser. Voir « Pour changer la température compensée du four ».
Les aliments sont trop cuits	Le four est soigneusement calibré de manière à offrir des résultats précis. Toutefois, si les aliments sont systématiquement trop ou pas assez dorés, la température peut être ajustée pour compenser. Voir « Pour changer la température compensée du four ».

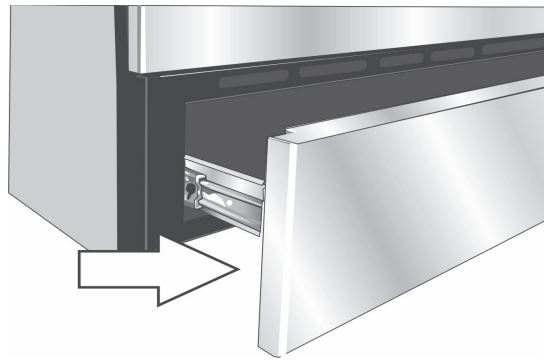
Le mode de cuisson ou la température du four ou les chiffres sélectionnés ne s'affichent pas à l'écran	Si la fonction Conversion Convection Auto est éteinte, la température doit être manuellement réduite de 25 °F (3,9 °C). Si la fonction est activée, la température s'ajuste automatiquement. Voir « Allumer ou éteindre la Conversion Convection Auto » pour de l'information. Se reporter aux tableaux de cuisson et aux conseils pour le positionnement des grilles, les temps de cuisson et la sélection des ustensiles de cuisson. Ajuster le calibrage, si nécessaire. Voir « Changer la température compensée du four ».
La température du four est trop chaude ou trop froide	Le thermostat du four doit être ajusté. Voir « Température compensée du four ». Voir « Changer la température compensée du four ».
L'éclairage du four fonctionne mal	Remplacer l'ampoule ou la remettre en place si elle a du jeu ou si elle est défectueuse. Toucher l'ampoule avec les doigts peut la faire griller.
L'éclairage refuse de s'éteindre	Vérifier s'il y a obstruction de la porte du four. Vérifier si la charnière est tordue. Lorsque la fonction Shabbat est activée, l'éclairage du four restera allumé ou éteint (suivant la sélection lors de la configuration) pendant toute la durée du mode Shabbat.
Impossible de retirer la lentille de la lampe	Il peut y avoir une accumulation de saleté autour de la lentille. Essuyer la surface du couvercle de la lentille avec un chiffon propre et sec avant d'essayer de l'enlever.
Le cycle d'autonettoyage du four fonctionne mal	Laisser refroidir le four avant d'exécuter le cycle d'autonettoyage. Toujours essuyer les saletés et les déversements importants avant d'exécuter le cycle d'autonettoyage. Si le four est très sale, programmer le four pour une durée d'autonettoyage maximum. Voir « Préparer le four pour le Nettoyage Auto ».
L'horloge et la minuterie fonctionnent mal	Assurer que l'alimentation électrique alimente le four. Voir les sections à propos de l'horloge et de la minuterie.
Éclats de porcelaine	En enlevant et en remplaçant les grilles, toujours les soulever vers l'avant et ne pas les forcer pour éviter d'ébrécher la porcelaine.
« F » et un numéro s'affichent à l'écran et la commande émet un signal sonore	Il s'agit d'un code d'erreur. Appuyer sur Off (Désactiver) pour effacer l'affichage et arrêter le signal sonore. Réinitialiser le four, si nécessaire. Si un code d'erreur reste affiché, le prendre en note, annuler le four, et appeler un technicien en entretien et en réparation agréé.
Une forte odeur se dégage du four neuf lorsqu'il est mis sous tension	Cela est normal pour un four neuf et disparaîtra après quelques utilisations. Actionner le cycle d'autonettoyage éliminera l'odeur plus rapidement.
Le bandeau de commande ne répond pas lorsqu'une touche est activée	S'assurer que la surface est propre. Toucher le centre de la touche. Utiliser le plat du doigt.
Le ventilateur fonctionne pendant des modes qui n'utilisent pas la convection	Sur certains modèles, le ventilateur à convection fonctionne pendant que le four préchauffe en mode de cuisson. Cela est normal. Les modèles insérés sont également dotés d'un ventilateur de refroidissement qui fonctionne pendant tous les modes de cuisson.
De l'air chaud ou de la vapeur s'échappent de l'évent du four	Il est normal de voir ou de sentir de la vapeur ou de l'air chaud s'échapper de l'évent du four. Ne pas obstruer l'évent.
Le ventilateur de refroidissement fonctionne même si le four est éteint (cuisinières insérées seulement)	Cela est normal. Le ventilateur de refroidissement s'éteint, lorsque le four a refroidi à une certaine température, prédéterminée
La table de cuisson ne fonctionne pas pendant le Nettoyage Auto	Cela est normal pour certains modèles. Elle fonctionnera de nouveau à la fin du cycle d'autonettoyage.

Comment obtenir des services de dépannage ou des pièces

Pour contacter un technicien de dépannage, consulter les coordonnées au début du manuel. Lors de l'appel, être prêt à fournir les informations imprimées sur la plaque signalétique du produit.

Plaque signalétique

La plaque signalétique comporte le numéro de modèle et le numéro de série (FD). Consulter la plaque signalétique de l'appareil lors d'une demande de réparation. La plaque signalétique se trouve au dos de la façade du tiroir. Ouvrir le tiroir pour la repérer.



Numéro de modèle et numéro FD:

Le numéro de modèle et le numéro FD de l'appareil figurent sur la plaque signalétique. Prendre ces numéros en note dans l'espace ci-dessous pour sauver du temps, au cas où l'appareil aurait besoin d'être réparé.

Modèle #	FD #
Service après-vente de Bosch ☎	800 944-2904

ÉNONCÉ DE LA GARANTIE LIMITÉE

Couverture de la garantie :

La garantie limitée fournie par BSH Home Appliances Ltd. (« BSH ») dans le présent énoncé de garantie limitée s'applique seulement aux Bosch appareil (« Produit ») vendu au premier acheteur, en autant que le produit ait été acheté :

- pour une utilisation normale résidentielle (non commerciale), et qu'en fait en tout temps a été utilisé pour un usage domestique normal ;
- nouveau au détail (non en montre, tel quel ou un retour), qu'il n'est pas destiné à la revente ni à un usage commercial et ;
- aux États-Unis ou au Canada et qu'il est demeuré en tout temps dans le pays où l'appareil a été acheté.

Les garanties données ici s'appliquent seulement au premier acheteur du produit et ne sont pas transférables. S'assurer de retourner la carte d'enregistrement, quoiqu'elle n'est pas nécessaire pour la garantie, c'est la façon dont BSH peut vous aviser dans le cas d'un avis de rappel ou de sécurité du produit.

Durée de la garantie

BSH garantit que le produit ne présente aucun défaut de matériaux ou de fabrication pour une période trois cent soixante cinq (365) jours à compter de la date d'achat. La durée commence à la date d'achat et ne sera pas allongée, prolongée, interrompue pour quelle que raison que ce soit.

Ce Produit est également garanti contre tout défaut de matériau et de fabrication *apparent* (tels les éraflures sur

l'acier inoxydable, les défauts d'aspect de la peinture ou de la porcelaine, les ébréchures, les bosselures, ou autres dégâts au fini du Produit), pendant une période de trente (30) jours à compter de la date d'achat ou de la date de clôture pour une nouvelle construction. Cette garantie relative à l'*apparence* exclut les légères variations de couleur découlant des différences inhérentes aux pièces peintes et en porcelaine, ainsi que découlant des différences causées par l'éclairage de cuisine, l'emplacement du produit ou d'autres facteurs similaires. Cette garantie relative à l'*apparence* exclut plus particulièrement tout appareil électroménager en exposition, de plancher, « En l'état » ou de stock « B ».

Réparation ou remplacement comme solution exclusive

Pendant la période de garantie, BSH ou un de ses centres de service autorisés réparera le produit sans frais (sujet à certaines limitations indiquées dans le présent document), si le produit présente un défaut de fabrication ou de matériaux. Si des tentatives raisonnables pour réparer le produit sont vaines, alors BSH remplacera le produit (un modèle supérieur peut être disponible, à la seule discrétion de BSH, moyennant des frais additionnels). Toutes les pièces ou les composants enlevés demeurent la seule propriété de BSH. Toute pièce et tout composant réparés doit être identique à la pièce d'origine à des fins de cette garantie et la garantie ne sera pas prolongée en regard de telles pièces. La seule responsabilité de BSH est de faire réparer le produit défectueux par un centre de service autorisé pendant les heures d'affaires normales. Pour la

sécurité et éviter des dommages à la propriété, BSH recommande fortement de ne pas réparer le produit soi-même, par une personne non qualifiée ; BSH ne sera pas tenu responsable des réparations ou du travail effectué par une personne non autorisée. Si le consommateur désire faire réparer par une personne autre qu'une personne autorisée, CETTE GARANTIE EST AUTOMATIQUEMENT NULLE ET NON AVENUE. Les centres de service autorisés sont les personnes ou les compagnies qui ont été spécialement formées sur les produits BSH et qui possèdent, selon l'opinion de BSH, une réputation supérieure pour le service à la clientèle et la capacité technique (il est à noter qu'elles sont des entités indépendantes et non des agents, partenaires, affiliations ou représentants de BSH). Nonobstant ce qui suit, BSH ne sera pas tenu responsable d'aucune façon si le produit est situé dans une région éloignée (supérieure à 100 miles d'un centre de service autorisé) ou n'est pas accessible de façon raisonnable, dans un environnement hasardeux, dangereux ; dans une telle éventualité, à la demande du consommateur, BSH pourrait payer les frais de main-d'oeuvre et de pièces et expédier les pièces à un centre de service autorisé le plus près, mais le consommateur serait entièrement responsable pour toute durée de déplacement et autres frais spéciaux encourus par le centre de service, en autant qu'il accepte l'appel de service.

Produit hors garantie

BSH n'a aucune obligation, par loi ou autre, d'offrir toute concession, incluant réparation, prorata ou remplacement de produit une fois la garantie expirée.

Exclusions à la garantie

La couverture de garantie décrite aux présentes exclut tout défaut ou dommage qui n'est pas une faute directe de BSH, y compris sans limitation, un ou plusieurs des cas suivants :

- utilisation du produit autre qu'un usage normal, habituel et de la façon destinée (incluant sans limitation toute forme d'utilisation commerciale, d'utilisation ou de rangement d'un produit pour l'intérieur à l'extérieur, utilisation du produit de concert avec un transporteur aérien ou marin) ;
- mauvaise conduite, négligence, mauvaise utilisation, abus, accidents, fonctionnement inadéquat, mauvais entretien, installation inadéquate ou négligente, altération, manquement d'observer les instructions de fonctionnement, mauvaise manipulation, service non autorisé (incluant réparation par le consommateur ou exploration du fonctionnement interne du produit) ;
- ajustement, modification ou altération de toute sorte ;
- manquement à la conformité des normes applicables fédérales, provinciales, municipales ou électrique du pays, codes de plomberie et/ou de construction, réglementation ou lois, incluant le manquement d'installer le produit en stricte conformité avec les codes et réglementations de construction et d'incendie locaux ;
- usure ordinaire, déversements d'aliments, liquide, accumulation de graisse ou autres substances accumulées dans, sur ou autour du produit ;

- toute force ou tout facteur externe, élémentaire et/ou environnemental, incluant sans limitation, pluie, vent, sable, inondation, incendie, coulée de boue, gel, humidité excessive et exposition prolongée à l'humidité, foudre, surtension, problème de structure autour de l'appareil et actes de Dieu.

En aucun cas, BSH ne sera tenu responsable des dommages survenus à la propriété, incluant les armoires, planchers, plafonds et autres objets ou structures autour du produit. Également exclus de la garantie sont des produit sur lequel le numéro de série a été modifié, altéré, effacé, enlevé ; appel de service pour enseigner le fonctionnement du produit ou les visites où il n'y a aucun problème avec le produit ; correction de problèmes d'installation (le consommateur est seul responsable pour toute structure et tout réglage du produit, incluant l'électricité, la plomberie et autres connexions nécessaires, pour un plancher/fondation appropriée, et pour toute modification incluant, sans limitation, armoire, mur, plancher, tablette, etc.) et la remise de coupe-circuit ou remplacement de fusible. SELON LA PORTÉE PERMISE PAR LA LOI, CETTE GARANTIE DONNE DES SOLUTIONS EXCLUSIVE RELATIVEMENT AU PRODUIT, QUE LA RÉCLAMATION SURVIENNE PAR CONTRAT OU TORT (INCLUANT RESPONSABILITÉ STRICTE OU NÉGLIGENCE) OU AUTRE. CETTE GARANTIE EST EN LIEU DE TOUTE AUTRE GARANTIE, EXPRESSE OU IMPLICITE, TOUTE GARANTIE PAR LOI, À DES FINS DE COMMERCIALISATION OU À DES FINS PARTICULIÈRES, OU AUTRE, SERA EN VIGUEUR SEULEMENT POUR LA PÉRIODE EFFECTIVE DE LA GARANTIE LIMITÉE EXPRESSE. EN AUCUN CAS, LE FABRICANT NE PEUT ÊTRE TENU RESPONSABLE DES DOMMAGES ACCESSOIRES, SPÉCIAUX, INDIRECTS, PERTES D'AFFAIRES, ET/OU DOMMAGES PUNITIFS, PERTES, FRAIS INCLUANT SANS LIMITATION LE MANQUEMENT AU TRAVAIL, REPAS À L'HÔTEL ET/OU AU RESTAURANT, FRAIS DE REMODELAGE SURVENUS À CAUSE DE DOMMAGES DIRECTS DÉFINITIVEMENT CAUSÉS EXCLUSIVEMENT PAR BSH OU AUTRE. CERTAINS ÉTATS NE PERMETTENT PAS L'EXCLUSION OU LA LIMITATION DES DOMMAGES ACCESSOIRES OU INDIRECTS ET NE PERMETTENT PAS LA LIMITATION SUR LA DURÉE D'UNE GARANTIE IMPLICITE, PAR CONSÉQUENT LES LIMITATIONS SUSMENTIONNÉES PEUVENT NE PAS S'APPLIQUER. CETTE GARANTIE DONNE DES DROITS SPÉCIFIQUES ET IL PEUT Y EN AVOIR D'AUTRES QUI VARIENT D'UN ÉTAT À L'AUTRE.

Aucune tentative de modifier, changer ou amender cette garantie ne peut être effective sans le consentement écrit autorisé par un officier de BSH.

Tableaux de cuisson

Les tableaux de cuisson peuvent servir de guide. Suivez les instructions de l'emballage ou de la recette.

Plats de boulangerie/Plats principaux

Aliment	Mode de cuisson recommandé	Température du four	Pré-chauffer le four	Nombre de grilles	Position des grilles	Temps (min.)	Type et taille de casserole
Gâteaux							
Gâteau des anges	Convect. Cuisson	325 °F (160 °C)	Oui	Simple	1	35-50	Tube de 10 po (25 cm)
Savarin	Convect. Cuisson	325 °F (160 °C)	Oui	Simple	2	45-65	Moule à savarin de 12 tasses
Cupcakes	Conv. Multi-Rack	325 °F (160 °C)	Oui	Simple	4	17-27	Moule à muffins de 12 alvéoles
	Conv. Multi-Rack	325 °F (160 °C)	Oui	Multiple	2 et 5	17-27	Moule à muffins de 12 alvéoles
	Conv. Multi-Rack	325 °F (160 °C)	Oui	Multiple	1, 3, et 5	17-27	Moule à muffins de 12 alvéoles
Ronds de gâteaux	Convect. Cuisson	325 °F (160 °C)	Oui	Simple	3	28-40	rond de gâteau de 8 po ou 9 po (20 cm ou 23 cm)
	Convect. Cuisson	325 °F (160 °C)	Oui	Multiple	2 et 5	28-40	rond de gâteau de 8 po ou 9 po (20 cm ou 23 cm)
Galette	Convect. Cuisson	325 °F (160 °C)	Oui	Simple	3	45-60	13 po x 9 x 2 po (33 cm x 23 cm x 5 cm)
Biscuits							
Brownies	Convect. Cuisson	325 °F (160 °C)	Oui	Simple	3	33-40	Moule carré de 8 po ou 9 po (20 cm ou 23 cm)
Biscuits aux bri-sures de chocolat	Conv. Multi-Rack	325 °F (160 °C)	Oui	Simple	3	8-17	plaque à biscuits
	Conv. Multi-Rack	325 °F (160 °C)	Oui	Multiple	2 et 5	8-17	plaque à biscuits
	Conv. Multi-Rack	325 °F (160 °C)	Oui	Multiple	1, 3 et 5	8-17	plaque à biscuits
Barres de biscuits	Convect. Cuisson	325 °F (160 °C)	Oui	Simple	3	23-33	Moule carré de 8 po ou 9 po (20 cm ou 23 cm)
Sucre	Conv. Multi-Rack	325 °F (160 °C)	Oui	Simple	3	8-10	plaque à biscuits
	Conv. Multi-Rack	325 °F (160 °C)	Oui	Multiple	2 et 5	8-10	plaque à biscuits
	Conv. Multi-Rack	325 °F (160 °C)	Oui	Multiple	1, 3 et 5	8-10	plaque à biscuits
Plats principaux/Légumes							
Plats en casserole	Cuisson	temp. recette	Oui	Simple	3	temps de pré-para-tion de la recette	plat

Aliment	Mode de cuisson recommandé	Température du four	Pré-chauffer le four	Nombre de grilles	Position des grilles	Temps (min.)	Type et taille de casserole
Quiche	Cuisson	375 °F (190 °C)	Oui	Simple	2	30-40	moule à quiche
Soufflé	Cuisson	325 °F (160 °C)	Oui	Simple	3	45-55	moule à soufflé
Légumes	Conv. Rôtissage	recette	Non	Simple	3	recette	plaque à biscuits

Les tableaux peuvent servir de guide. Suivre les instructions de l'emballage ou de la recettes.

Les températures de convection ont été réduites de 25 °F (3,9 °C) par rapport à celles figurant sur la recette ou l'emballage.

Pâtisseries

Choux à la crème	Conv. Multi-Rack	400 °F (200 °C)	Oui	Simple	3	23-33	plaque à biscuits
	Conv. Multi-Rack	400 °F (200 °C)	Oui	Multiple	2 et 5	23-33	plaque à biscuits
	Conv. Multi-Rack	400 °F (200 °C)	Oui	Multiple	1, 3 et 5	23-33	plaque à biscuits
Pâte feuilletée	Conv. Multi-Rack	375 °F (190 °C)	Oui	Simple	3	10-12	plaque à biscuits

Tartes

Une croûte de tarte	Convect. Cuisson	475 °F (245 °C)	Oui	Simple	2	8-12	moule à tarte de 9 po (22 cm)
2 croûtes, fruit	Convect. Cuisson	375 °F (190 °C)	Oui	Simple	2	45-60	moule à tarte de 9 po (22 cm)
Congelé	Convect. Cuisson	375 °F (190 °C)	Oui	Simple	3	70-85	moule à tarte de 9 po (22 cm)
Meringue	Cuisson	350 °F (175 °C)	Oui	Simple	2	10-15	moule à tarte de 9 po (22 cm)
Noix de pécan	Cuisson	350 °F (175 °C)	Oui	Simple	2	45-60	moule à tarte de 9 po (22 cm)
Citrouille	Cuisson	425 °F (220 °C) 350 °F (175 °C)	Oui	Simple	2	15 35-45	moule à tarte de 9 po (22 cm)

Pizza

Pierre à cuisson	Pizza	425° F (220 °C)	Oui	Simple	2	temps de préparation de la recette	pierre à cuisson
Pizza	fraîche	425° F (220 °C)	Oui	Simple	2	temps de préparation de la recette	plaque à pizza

Aliment	Mode de cuisson recommandé	Température du four	Pré-chauffer le four	Nombre de grilles	Position des grilles	Temps (min.)	Type et taille de casserole
Croûte épaisse, congelée	Pizza	sur l'emballage	Oui	Simple	sur l'emballage	temps de cuisson indiqué sur l'emballage	mode de préparation sur l'emballage
Croûte mince, congelée	Pizza	sur l'emballage	Oui	Simple	sur l'emballage	temps de cuisson indiqué sur l'emballage	mode de préparation sur l'emballage

Pains éclair

Biscuits	Conv. Multi-Rack	325 °F (160 °C)	Oui	Simple	3	10-20	plaque à biscuits
	Conv. Multi-Rack	325 °F (160 °C)	Oui	Multiple	2 et 5	10-20	plaque à biscuits
Pain	Convect. Cuisson	350 °F (175 °C)	Oui	Simple	2	48-60	Moule à pain 8 po x 4 po (20 cm x 10 cm)
Muffins	Conv. Multi-Rack	400 °F (200 °C)	Oui	Simple	3	14-25	Moule à muffins de 12 alvéoles
	Conv. Multi-Rack	400 °F (200 °C)	Oui	Multiple	2 et 5	14-25	Moule à muffins de 12 alvéoles

Pains à la levure

Petits pains	Conv. Multi-Rack	375 °F (190 °C)	Oui	Simple	3	10-20	plaque à biscuits
	Conv. Multi-Rack	375 °F (190 °C)	Oui	Multiple	2 et 5	10-20	plaque à biscuits
	Conv. Multi-Rack	375 °F (190 °C)	Oui	Multiple	1, 3, et 5	10-20	plaque à biscuits
Pain	Convect. Cuisson	400 °F (200 °C)	Oui	Simple	2	22-35	Moule à pain 9 po x 5 po (23 cm x 13 cm)
Viennoiseries	Conv. Multi-Rack	325 °F (160 °C)	Oui	Simple	3	20-25	plaque à biscuits

Les tableaux peuvent servir de guide. Suivre les instructions de l'emballage ou de la recettes.

Les températures de convection ont été réduites de 25 °F (3,9 °C) par rapport à celles figurant sur la recette ou l'emballage.

Viandes

Les chartes peuvent servir de guide. Suivre les instructions de l'emballage ou de la recettes.

Aliment	Mode de cuisson recommandé	Température du four	Position des grilles	Température interne	Temps de cuisson	Nourriture couverte	Temps de repos
Bœuf							
Rôti d'épaule de bœuf, 2 lb-3 lb (1 kg-2 kg)	Rôtissage	350 °F (175 °C)	2	Bien cuit, 170 °F (80 °C)	1, 5-2 heures	Oui	aucun
Hamburgers, 3/4 po (2 cm) d'épaisseur	Gril	Élevée	6	Moyenne, 160 °F (70 °C)	Côté 1 : 5-8 Côté 2 : 4-6	Non	aucun
Faux-filet, désossé, 3 lb-3,5 lb (1,3 kg-1,6 kg)	Rôtisserie à convection	325 °F (160 °C)	2	Rosé, 145 °F (60 °C)	27-31 min./lb	Non	10-15 min.
Faux-filet, désossé, 3 lb-3,5 lb (1,3 kg-1,6 kg)	Rôtisserie à convection	325 °F (160 °C)	2	Moyenne, 160 °F (70 °C)	30-38 min./lb	Non	10-15 min.
Rumsteck, noix, surlongue, désossé, 3-3,5 lb (1,3-1,6 kg)	Rôtisserie à convection	325 °F (160 °C)	2	Rosé, 145 °F (60 °C)	18-33 min./lb	Non	10-15 min.
Rumsteck, noix, surlongue, désossé, 3-3,5 lb (1,3-1,6 kg)	Rôtisserie à convection	325 °F (160 °C)	2	Moyenne, 160 °F (70 °C)	30-35 min./lb	Non	10-15 min.
Steaks, 1 po (2,5 cm) d'épaisseur	Gril	Élevée	6	Rosé, 145 °F (60 °C)	Côté 1 : 5-8 Côté 2 : 4-6	Non	aucun
Steaks, 1 po (2,5 cm) d'épaisseur	Gril	Élevée	6	Moyenne, 160 °F (70 °C)	Côté 1 : 8-9 Côté 2 : 5-7	Non	aucun
Steaks 1,5 po (4 cm) d'épaisseur	Gril à convection	Élevée	3	Rosé, 145 °F (60 °C)	Côté 1 : 11-13 Côté 2 : 9-11	Non	aucun
Steaks 1,5 po (4 cm) d'épaisseur	Gril à convection	Élevée	3	Moyenne, 160 °F (70 °C)	Côté 1 : 13-15 Côté 2 : 11-13	Non	aucun
Filet, 2 lb-3 lb (900 g-2 kg)	Rôtisserie à convection	425 °F (220 °C)	2	Rosé, 145 °F (60 °C)	15-24 min./lb	Non	5 min.
Agneau							
Gigot, désossé, 2 lb-3 lb (1 kg-1,5 kg)	Rôtisserie à convection	325 °F (160 °C)	2	Moyenne, 160 °F (70 °C)	25-30 min./lb	Non	10-15 min.
Gigot, désossé, 4 lb-6 lb (2 kg-2,75 kg)	Rôtisserie à convection	325 °F (160 °C)	2	Moyenne, 160 °F (70 °C)	30-35 min./lb	Non	10-15 min.

Les tableaux peuvent servir de guide. Suivre les instructions de l'emballage ou de la recettes.

Les temps de cuisson sont approximatifs et peuvent varier en fonction de la forme de la viande.

Une dinde farcie exige un temps de cuisson plus long. La température sécuritaire minimum pour une farce de volaille est de 165 °F (75 °C).

Remarque : la température interne des aliments, mesurée à l'aide d'un thermomètre à viande numérique, est recommandée par la USDA.

Aliment	Mode de cuisson recommandé	Température du four	Position des grilles	Température interne	Temps de cuisson	Nourriture couverte	Temps de repos
Côtelettes, 1 po (2,5 cm) d'épaisseur	Gril	Élevée	4	Rosé, 145 °F (60 °C)	Côté 1 : 4-6 Côté 2 : 4-5	Non	aucun
Côtelettes, 1 po (2,5 cm) d'épaisseur	Gril	Élevée	4	Moyenne, 160 °F (70 °C)	Côté 1 : 5-7 Côté 2 : 5-6	Non	aucun
Porc							
Tranche de jambon de 0,5 po (1,3 cm) d'épaisseur	Gril	Élevée	5	160 °F (70 °C)	Côté 1 : 4-5 Côté 2 : 3-4	Non	aucun
Longe de porc, 1,5 lb-3 lb (700 g-1,5 kg)	Rôtisserie à convection	350 °F (175 °C)	2	Moyenne, 160 °F (70 °C)	19-36 min./lb	Non	10-15 min.
Longe de porc, 3 lb-6 lb (1,5 kg-2,75 kg)	Rôtisserie à convection	350 °F (175 °C)	2	Moyenne, 160 °F (70 °C)	14-23 min./lb	Non	10-15 min.
Côtelettes, 1 po (2,5 cm) d'épaisseur	Gril	Moyenne	4	Moyenne, 160 °F (70 °C)	Côté 1 : 8-10 Côté 2 : 8-9	Non	aucun
Côtelettes, 1,5 po (4 cm) d'épaisseur	Gril à convection	Élevée	4	Moyenne, 160 °F (70 °C)	Côté 1 : 9-11 Côté 2 : 8-10	Non	aucun
Saucisse, fraîche	Gril	Élevée	4	170 °F (80 °C)	Côté 1 : 3-5 Côté 2 : 2-4	Non	aucun
Filet, 2 lb-3 lb (1 kg-2 kg)	Rôtisserie à convection	425° F (220 °C)	3	Moyenne, 160 °F (70 °C)	18-28 min./lb	Non	5-10 min.
Volaille							
Poulet							
Poitrines avec os	Gril à convection	450 F (230 °C)	3	170 °F (80 °C)	Côté 1 : 18-22 Côté 2 : 17-20	Non	aucun
Cuisses avec os	Gril	Faible	3	180 °F (85 °C) dans la cuisse	Côté 1 : 14-15 Côté 2 : 12-13	Non	aucun
Entier, 3,5 lb-8 lb (1,5 kg-3,5 kg)	Rôtisserie à convection	375 °F (190 °C)	2	180 °F (85 °C) dans la cuisse	13-20 min./lb	Non	aucun
Poulets de Cornouaille, 1 lb-1,5 lb (450 g-700 g)	Rôtisserie à convection	175 °C (350 °F)	2	180 °F (85 °C) dans la cuisse	45-75 min. temps de cuisson total	Non	aucun
Dinde							
Poitrine, 4 lb-8 lb (1,8 kg-3,6 kg)	Rôtisserie à convection	325 °F (160 °C)	2	170 °F (80 °C)	19-23 min./lb	Non	15-20 min. pour une découpe facile

Les tableaux peuvent servir de guide. Suivre les instructions de l'emballage ou de la recettes.

Les temps de cuisson sont approximatifs et peuvent varier en fonction de la forme de la viande.

Une dinde farcie exige un temps de cuisson plus long. La température sécuritaire minimum pour une farce de volaille est de 165 °F (75 °C).

Remarque : la température interne des aliments, mesurée à l'aide d'un thermomètre à viande numérique, est recommandée par la USDA.

Aliment	Mode de cuisson recommandé	Température du four	Position des grilles	Température interne	Temps de cuisson	Nourriture couverte	Temps de repos
Non farcie, 12 lb-19 lb (5,5 kg-8,5 kg)	Rôtisserie à convection	325 °F (160 °C)	1	180 °F (85 °C) dans la cuisse	9-14 min./lb	Couvrir de papier d'aluminium pour empêcher de trop brunir	15-20 min. pour une découpe facile
Non farcie, 20 lb-25 lb (9 kg-11,5 kg)	Rôtisserie à convection	325 °F (160 °C)	1	180 °F (85 °C) dans la cuisse	6-12 min./lb	Couvrir de papier d'aluminium pour empêcher de trop brunir	15-20 min. pour une découpe facile
Fruits de mer							
Filets de poisson, ¾ po-1 po (2 cm-2,5 cm)	Gril	Faible	3	145 °F (63 °C)	11-15 min.	Non	aucun

Les tableaux peuvent servir de guide. Suivre les instructions de l'emballage ou de la recettes.

Les temps de cuisson sont approximatifs et peuvent varier en fonction de la forme de la viande.

Une dinde farcie exige un temps de cuisson plus long. La température sécuritaire minimum pour une farce de volaille est de 165 °F (75 °C).

Remarque : la température interne des aliments, mesurée à l'aide d'un thermomètre à viande numérique, est recommandée par la USDA.



9001240241

961020



BOSCH

Invented for life

1901 Main Street, Suite 600 • Irvine, CA 92614 • 800-944-2904
www.bosch-home.com • © 2016 BSH Home Appliances