

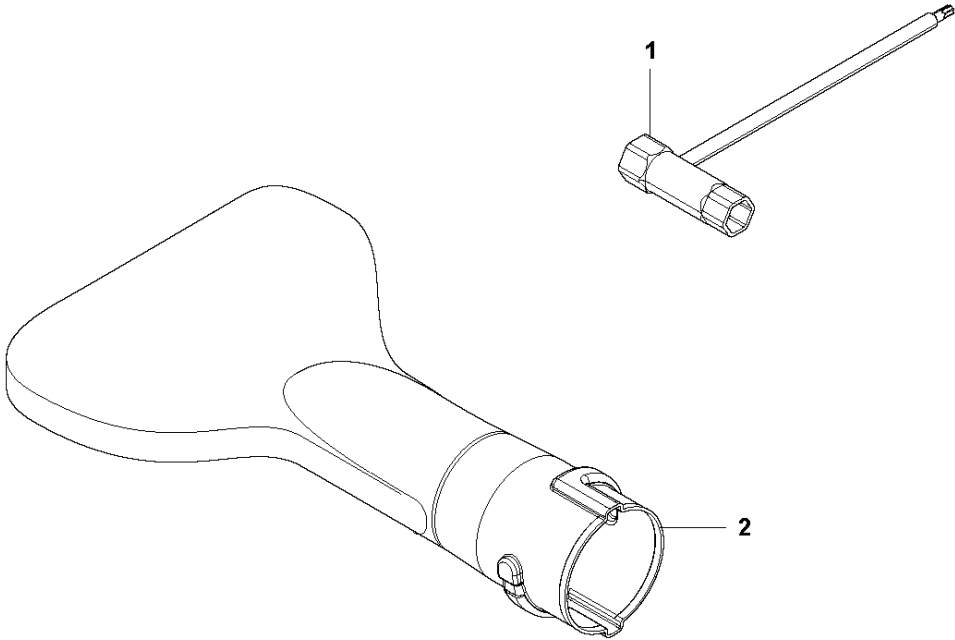


# SPARE PARTS LIST

BLOWERS

BB2250, 2009-09

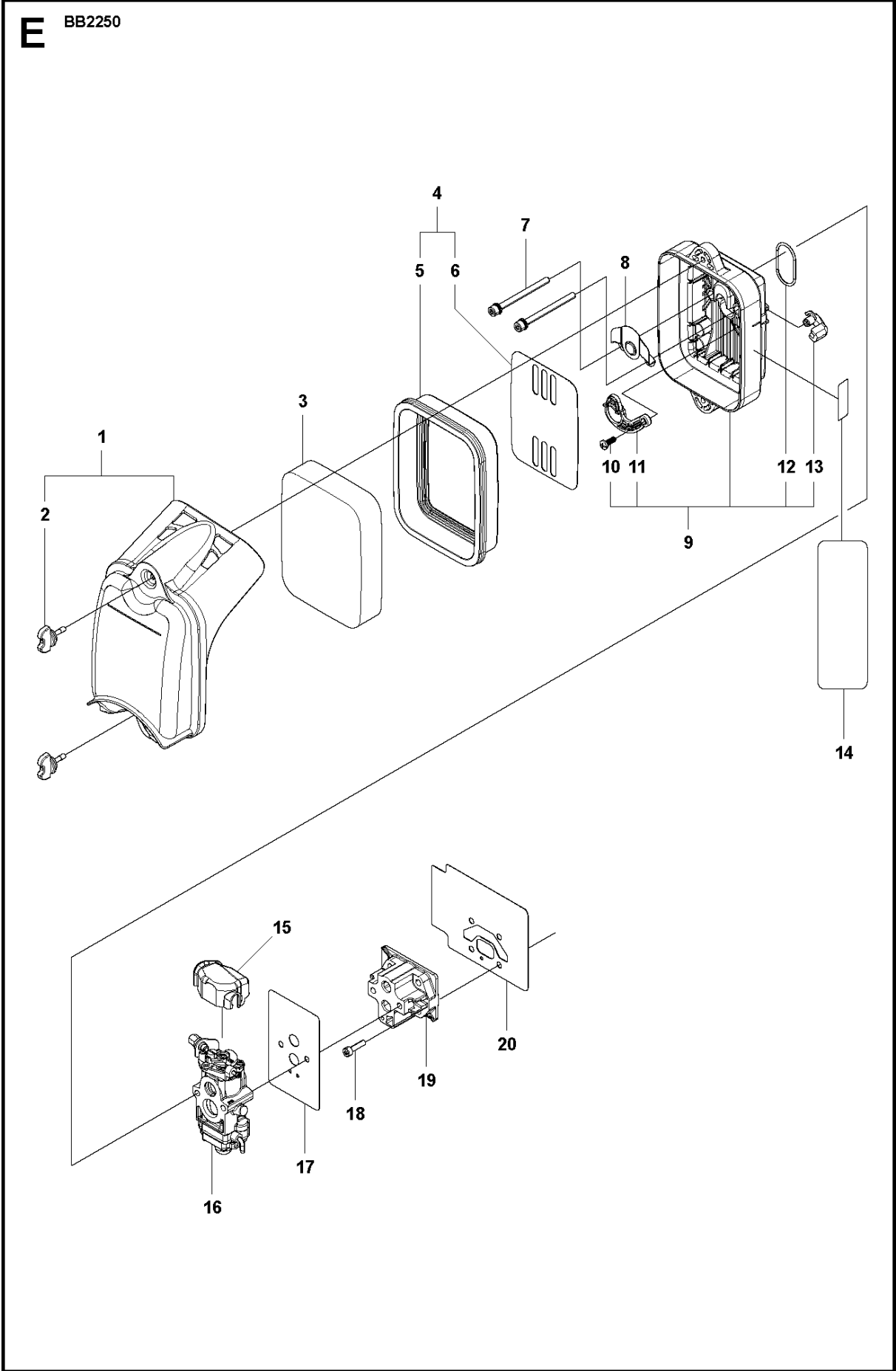
**R** BB2250  
Accessories



## ACCESSORIES

BB2250, 2009-09

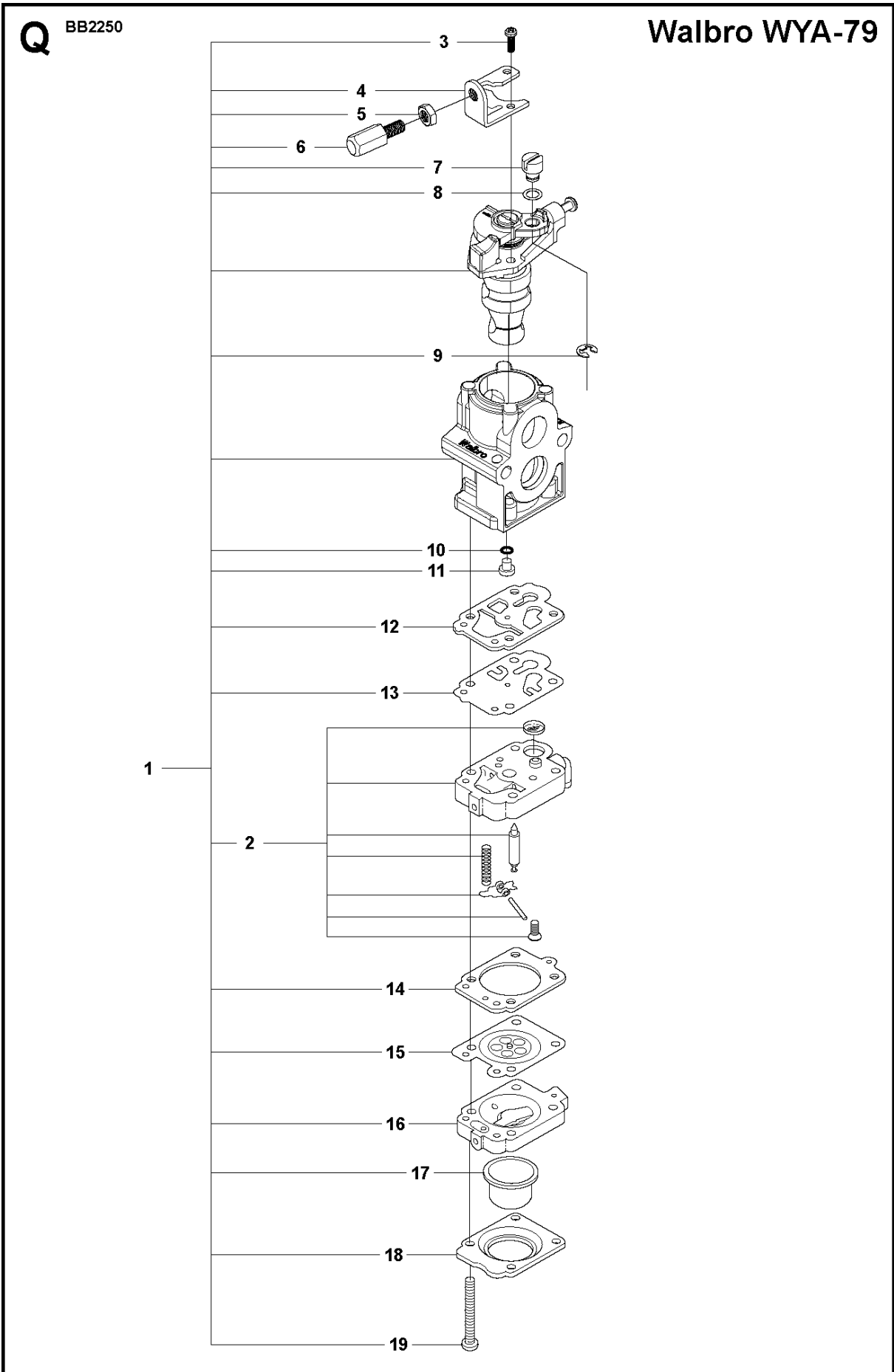
Ref	Part No	Description	Remark	QTY KIT
1	544 27 44-01	SOCKET		1
2	502 44 40-01	TUBE		1



## CARBURETOR &amp; AIR FILTER

BB2250, 2009-09

Ref	Part No	Description	Remark	QTY	KIT
1	511 49 61-01	COVER		1	
2	521 74 11-01	KNOB		2	1
3	502 84 44-01	AIR FILTER		1	
4	502 84 45-01	GASKET		1	
7	502 84 46-01	SCREW		2	
8	502 84 47-01	PLATE		1	
9	502 84 49-01	CARBURETTOR BODY		1	
14	521 74 02-01	LABEL		1	
15	544 26 38-01	COVER		1	
16	502 84 50-01	CARBURETTOR		1	
17	502 84 53-01	GASKET		1	
18	544 25 70-01	BOLT		4	
19	502 84 54-01	INSULATION		1	
20	502 84 55-01	GASKET		1	

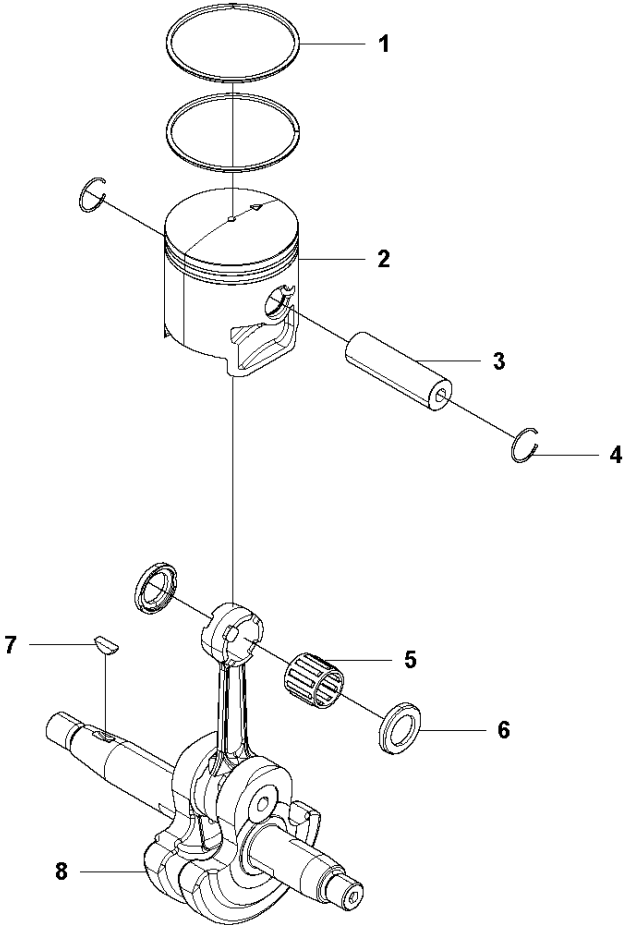


## CARBURETOR DETAILS

BB2250, 2009-09

Ref	Part No	Description	Remark	QTY	KIT
1	502 84 50-01	CARBURETTOR		1	
2	544 36 35-01	BODY CARBURETTOR		1	1
3	544 36 47-01	SCREW		2	1
4	544 36 48-01	BRACKET		1	1
5	544 36 49-01	NUT		1	1
6	544 36 50-01	SCREW		1	1
7	544 36 41-01	SWIVEL CARB		1	1
8	544 36 40-01	WASHER		1	1
9	544 36 42-01	RING		1	1
10	544 36 54-01	O-RING		1	1
11	504 64 32-01	JET		1	1
12	544 36 43-01	GASKET		1	1
13	544 36 44-01	DIAPHRAGM CARBURETTOR		1	1
14	544 36 45-01	GASKET		1	1
15	504 64 31-01	DIAPHRAGM CARBURETTOR		1	1
16	544 36 36-01	BODY CARBURETTOR		1	1
17	544 36 39-01	PUMP		1	1
18	544 36 38-01	COVER		1	1
19	544 36 52-01	SCREW		4	1

**L** BB2250



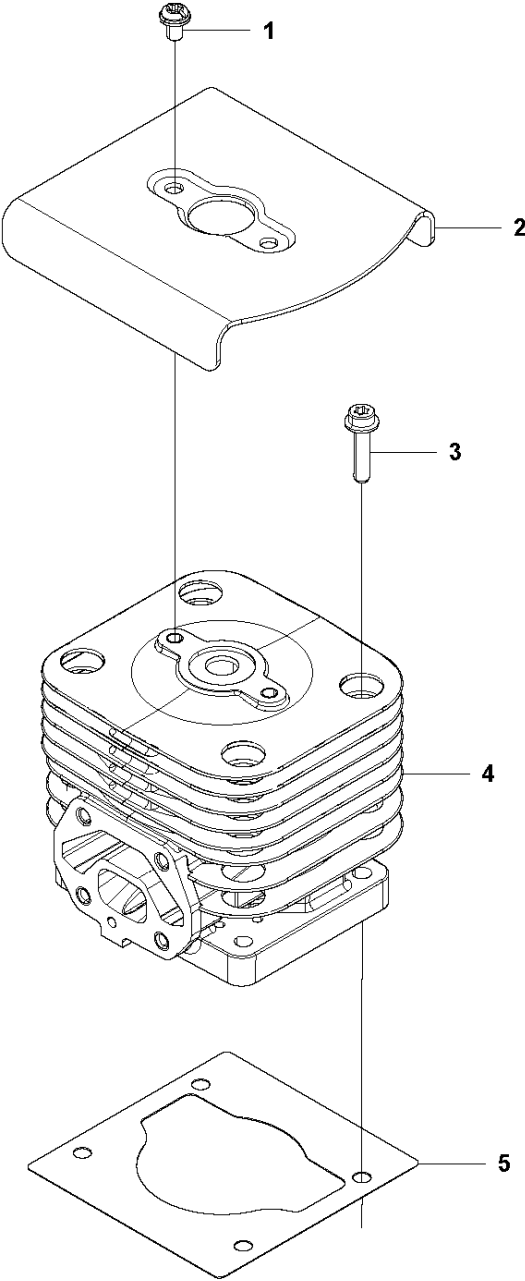


## CRANKSHAFT

BB2250, 2009-09

Ref	Part No	Description	Remark	QTY KIT
1	502 84 95-01	PISTON RING		2
2	502 84 96-01	PISTON		1
3	502 84 97-01	PISTON PIN		1
4	502 84 98-01	SNAP RING		2
5	502 84 99-01	BEARING		1
6	502 85 00-01	WASHER		2
7	544 26 00-01	KEY		1
8	502 85 01-01	CRANKSHAFT		1

**J** BB2250

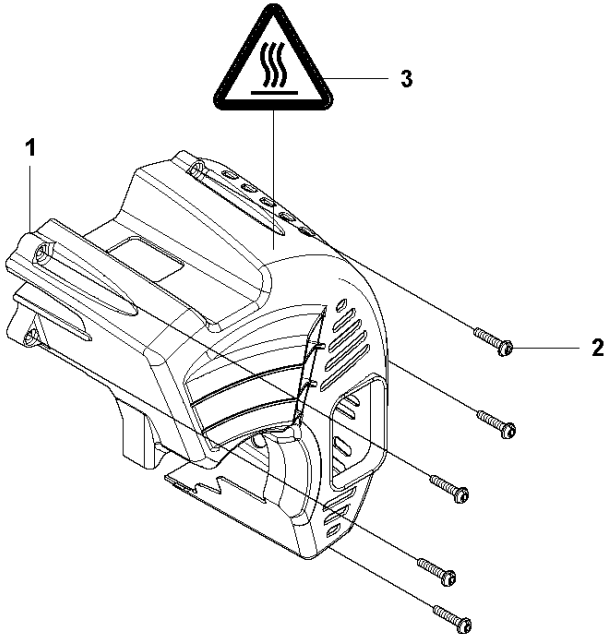


## CYLINDER

BB2250, 2009-09

Ref	Part No	Description	Remark	QTY KIT
1	544 25 68-01	SCREW		2
2	502 84 65-01	PLATE		1
3	544 25 66-01	BOLT		4
4	502 84 87-01	CYLINDER		1
5	502 84 88-01	GASKET		1

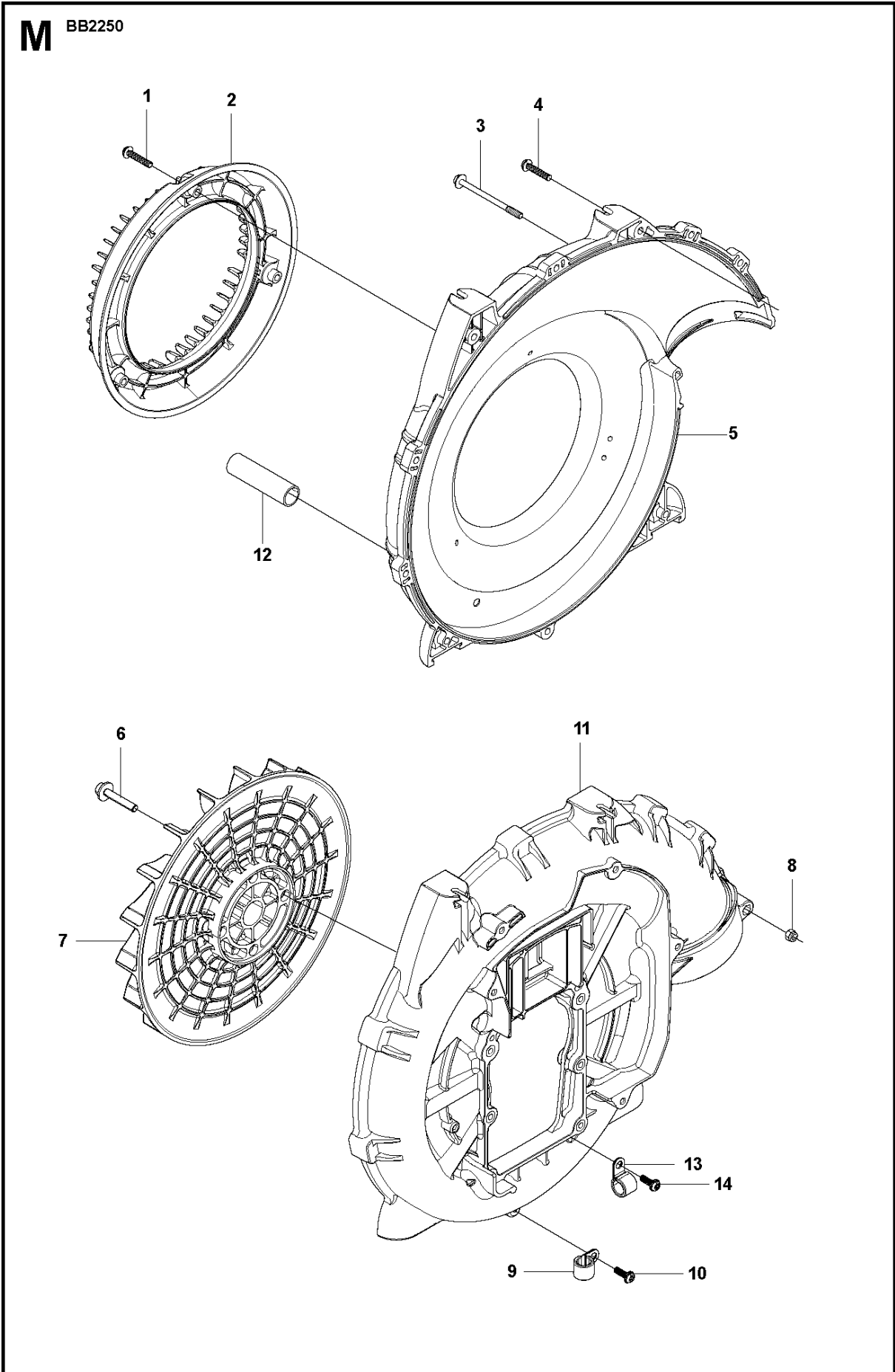
**C** BB2250



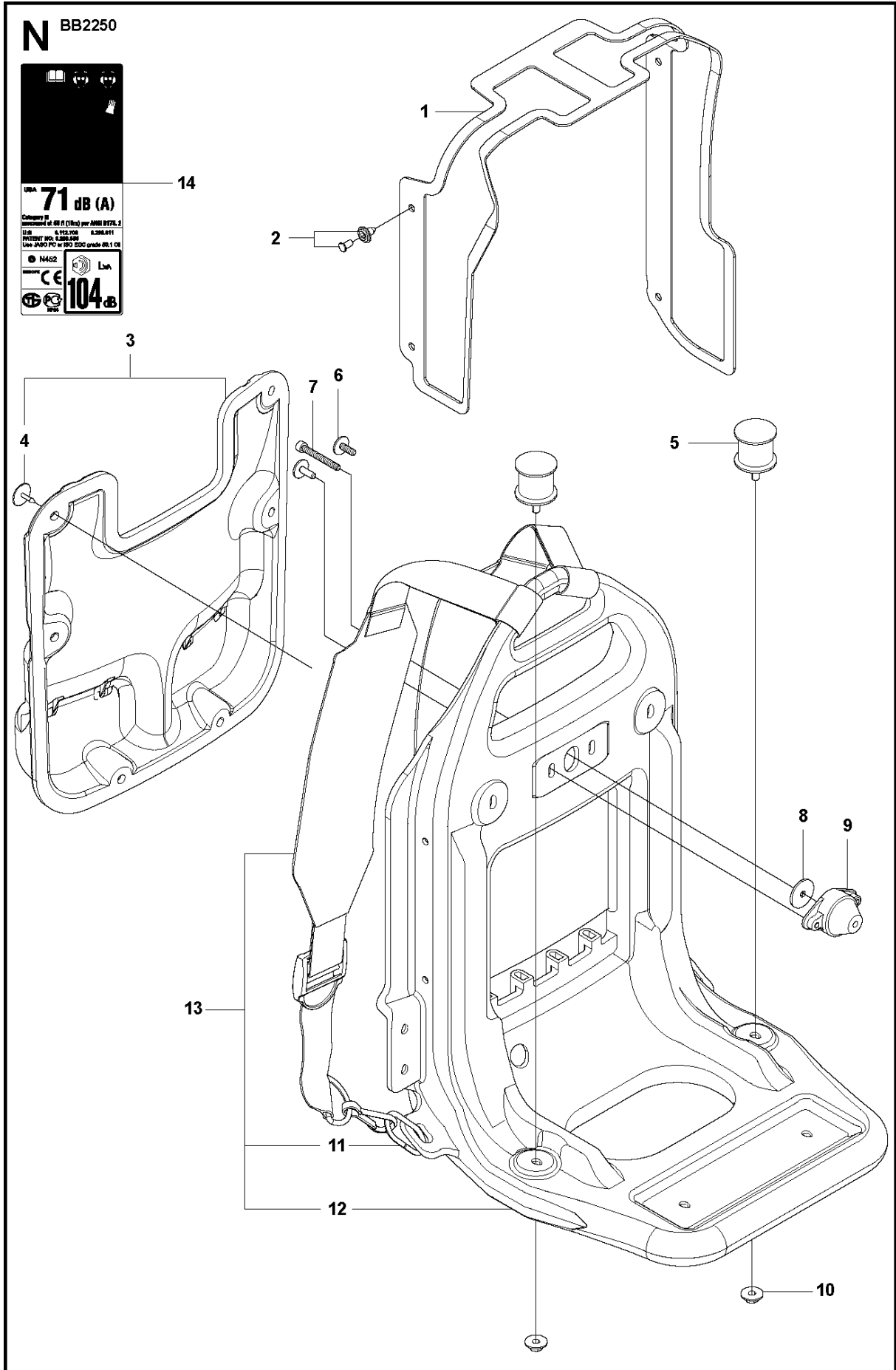
## CYLINDER COVER

BB2250, 2009-09

Ref	Part No	Description	Remark	QTY KIT
1	573 93 53-01	ENGINE COVER		1
2	544 26 36-01	SCREW		5
3	544 36 34-01	LABEL		1



Ref	Part No	Description	Remark	QTY KIT
1	521 86 37-01	SCREW		3
2	511 72 80-01	FUNNEL		1
3	544 26 46-01	SCREW		2
4	521 86 37-01	SCREW		10
5	573 93 52-01	VOLUTE		1
6	544 26 51-01	BOLT		4
7	502 85 02-01	FAN		1
8	505 05 15-01	NUT		2
9	516 87 82-01	CLAMP		1
10	544 26 43-01	SCREW		1
11	573 93 51-01	VOLUTE		1
12	513 66 52-01	TUBE		1
13	504 12 23-01	CLIP		1
14	544 26 43-01	SCREW		1



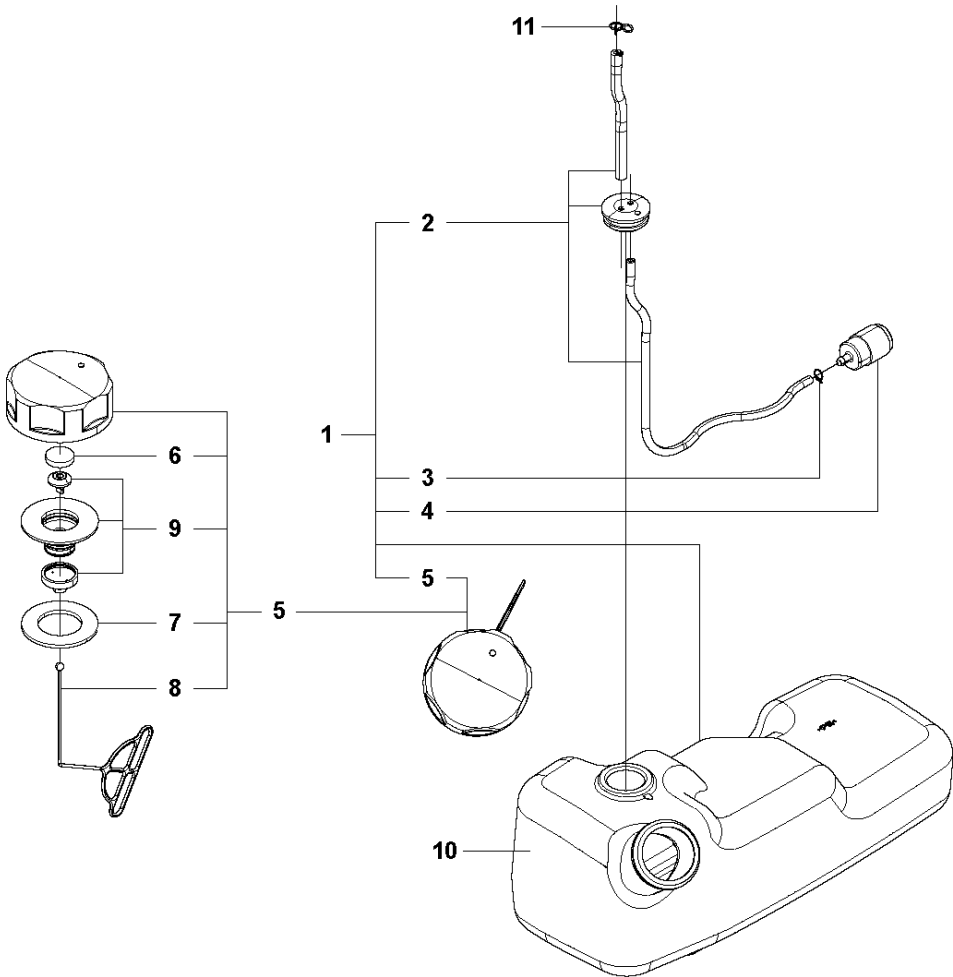


## FRAME

BB2250, 2009-09

Ref	Part No	Description	Remark	QTY KIT
1	511 74 36-01	NET		1
2	526 24 39-01	CLIP		4
3	511 78 26-01	PAD		1
4	526 47 67-01	CLIP		6
5	544 27 09-01	DAMPER		2
6	544 27 08-01	SCREW		2
7	521 86 38-01	SCREW		1
8	502 85 05-01	WASHER		1
9	544 27 05-01	DAMPER		1
10	544 27 10-01	NUT		2
11	544 26 97-01	RING		2
12	511 78 25-01	FRAME		1
13	511 81 50-01	FRAME ASSY		1
14	502 85 04-01	DECAL		1

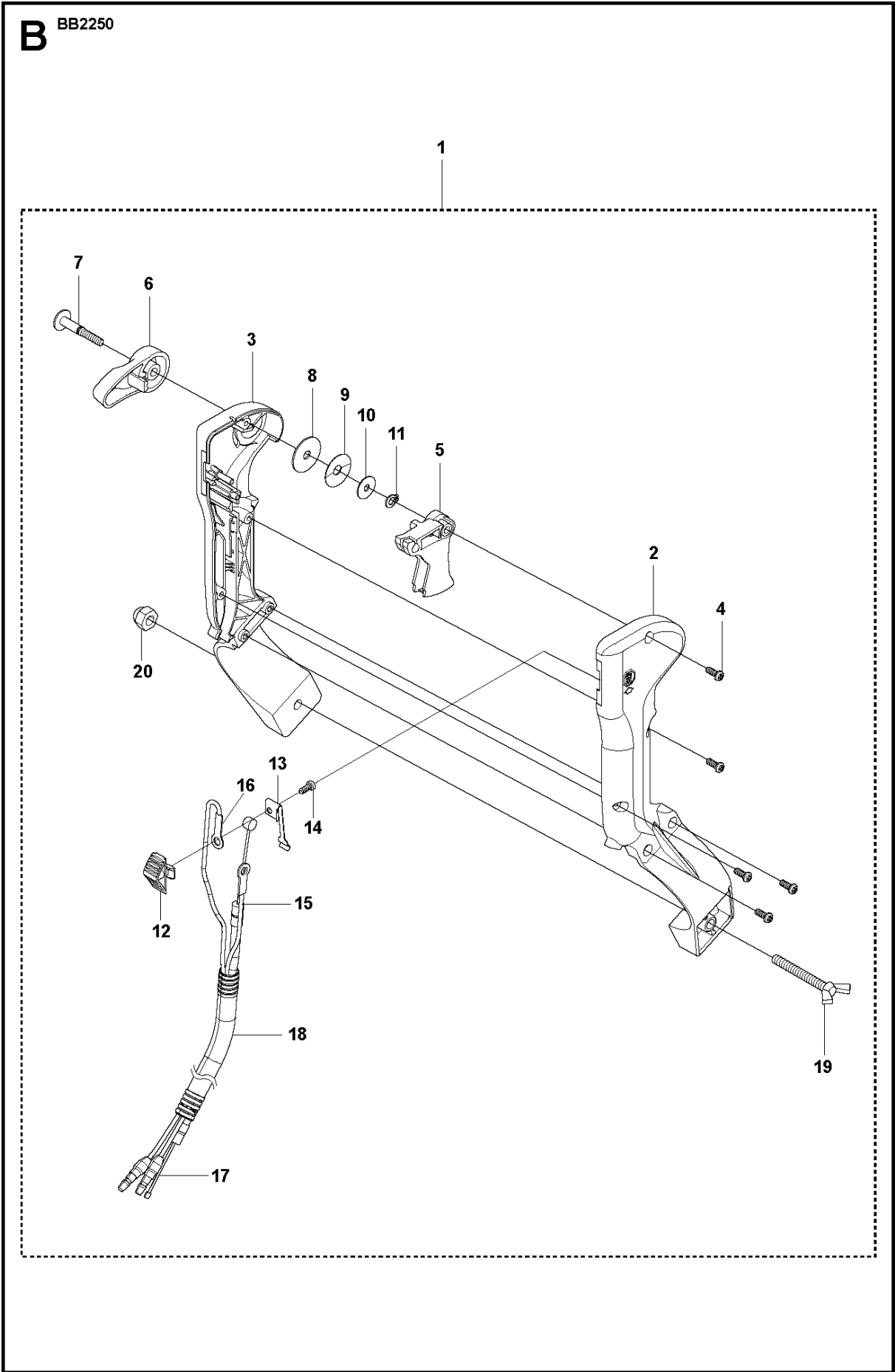
**G** BB2250



## FUEL TANK

BB2250, 2009-09

Ref	Part No	Description	Remark	QTY	KIT
1	528 91 31-01	TANK ASSY		1	
2	521 83 55-01	PIPE		1	1
3	544 27 30-01	CLIP		1	1
4	544 27 29-01	FILTER		1	1
5	504 11 77-01	TANK CAP ASSY		1	1
6	544 27 26-01	FILTER		1	5
7	544 27 25-01	PACKING		1	5
8	504 11 79-01	HOLDER		1	5
9	544 27 24-01	HOLDER		1	5
11	544 27 32-01	CLIP		1	

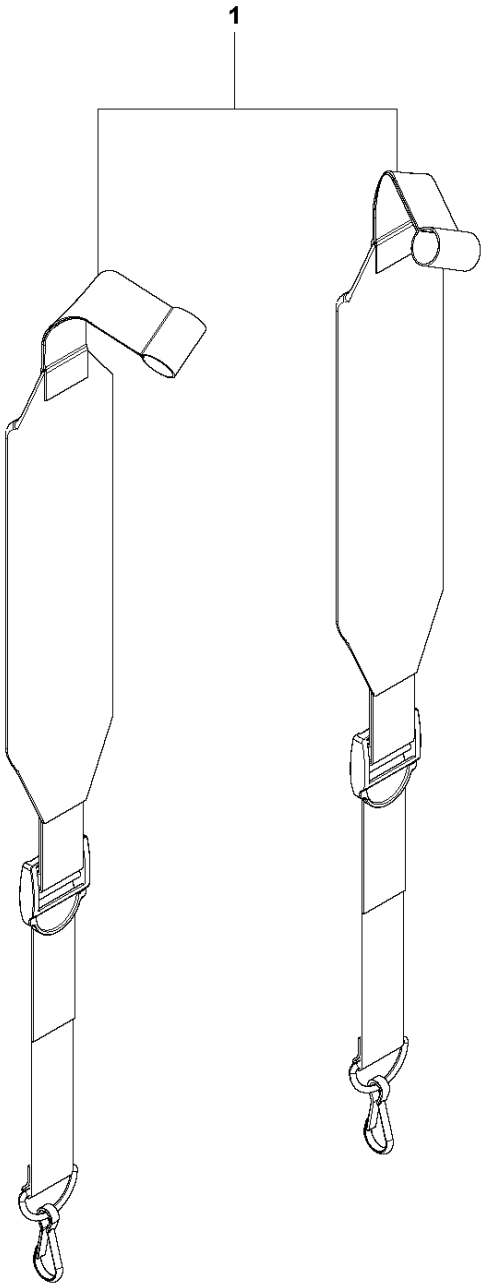


## HANDLE &amp; CONTROLS

BB2250, 2009-09

Ref	Part No	Description	Remark	QTY	KIT
1	511 73 03-01	LEVER		1	
2	521 84 06-01	COVER		1	1
3	521 67 34-01	CASE		1	1
4	521 84 07-01	SCREW		5	1
5	521 84 08-01	LEVER		1	1
6	521 67 35-01	LEVER		1	1
7	521 84 10-01	SHAFT		1	1
8	521 84 11-01	WASHER		1	1
9	521 84 12-01	SPRING		1	1
10	520 92 19-01	WASHER		1	1
11	521 84 13-01	CLIP		1	1
12	521 84 14-01	SWITCH		1	1
13	521 84 16-01	SPRING		1	1
14	521 84 17-01	SCREW		1	1
15	510 93 38-01	CORD		1	1
16	510 93 39-01	CORD		1	1
17	521 84 20-01	CABLE		1	1
18	510 92 25-01	TUBE		1	1
19	521 14 93-01	WING BOLT		1	1
20	516 87 68-01	NUT		1	1

**P** BB2250



Ref	Part No	Description	Remark	QTY KIT
1	511 70 96-01	BAND		2



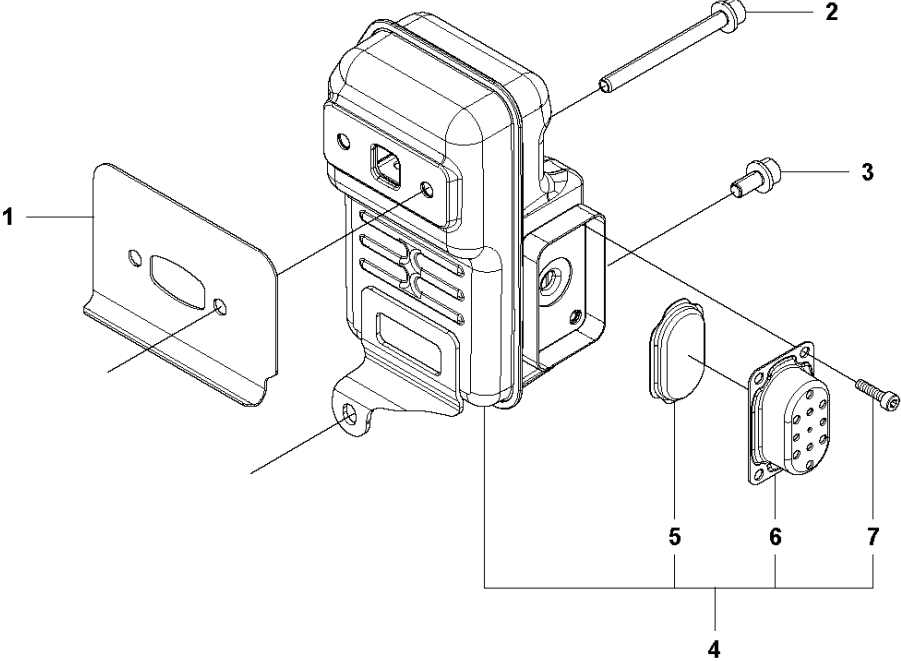


## IGNITION SYSTEM

BB2250, 2009-09

Ref	Part No	Description	Remark	QTY	KIT
1	544 25 99-01	NUT		1	
2	544 26 00-01	KEY		1	
3	502 84 63-01	FLYWHEEL		1	
4	511 49 70-01	COIL		1	
5	521 73 94-01	HUB CAP		1	4
6	511 49 71-01	SPRING		1	4
7	544 26 06-01	GROMMET		1	4
8	506 61 51-01	SPARK PLUG		1	
9	544 25 75-01	BOLT		2	
10	544 26 08-01	CABLE		1	
11	544 25 75-01	BOLT		1	
12	516 86 84-01	COVER		1	

**F** BB2250

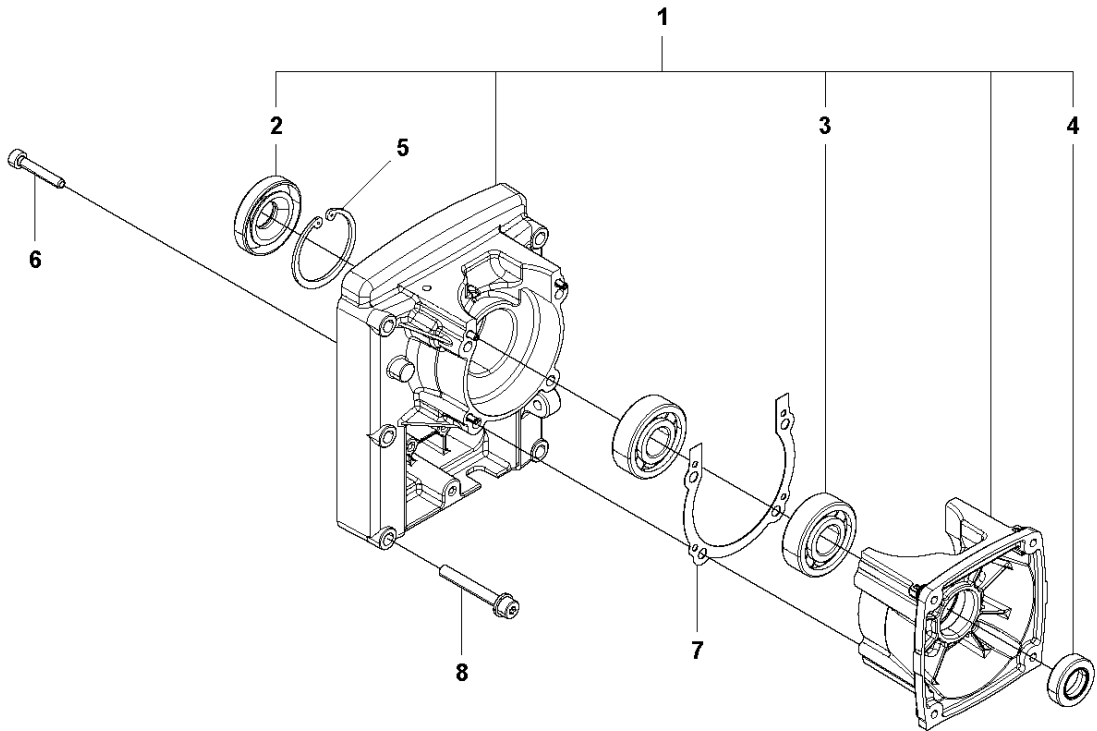


## MUFFLER

BB2250, 2009-09

Ref	Part No	Description	Remark	QTY	KIT
1	511 49 42-01	GASKET		1	
2	544 25 79-01	BOLT		2	
3	544 25 80-01	BOLT		1	
4	502 84 57-01	MUFFLER ASSY		1	
5	502 84 58-01	SPARK ARRESTER SCREEN		1	4
6	502 84 59-01	EXHAUST DUCT		1	4
7	544 36 27-01	BOLT		4	4

**K** BB2250

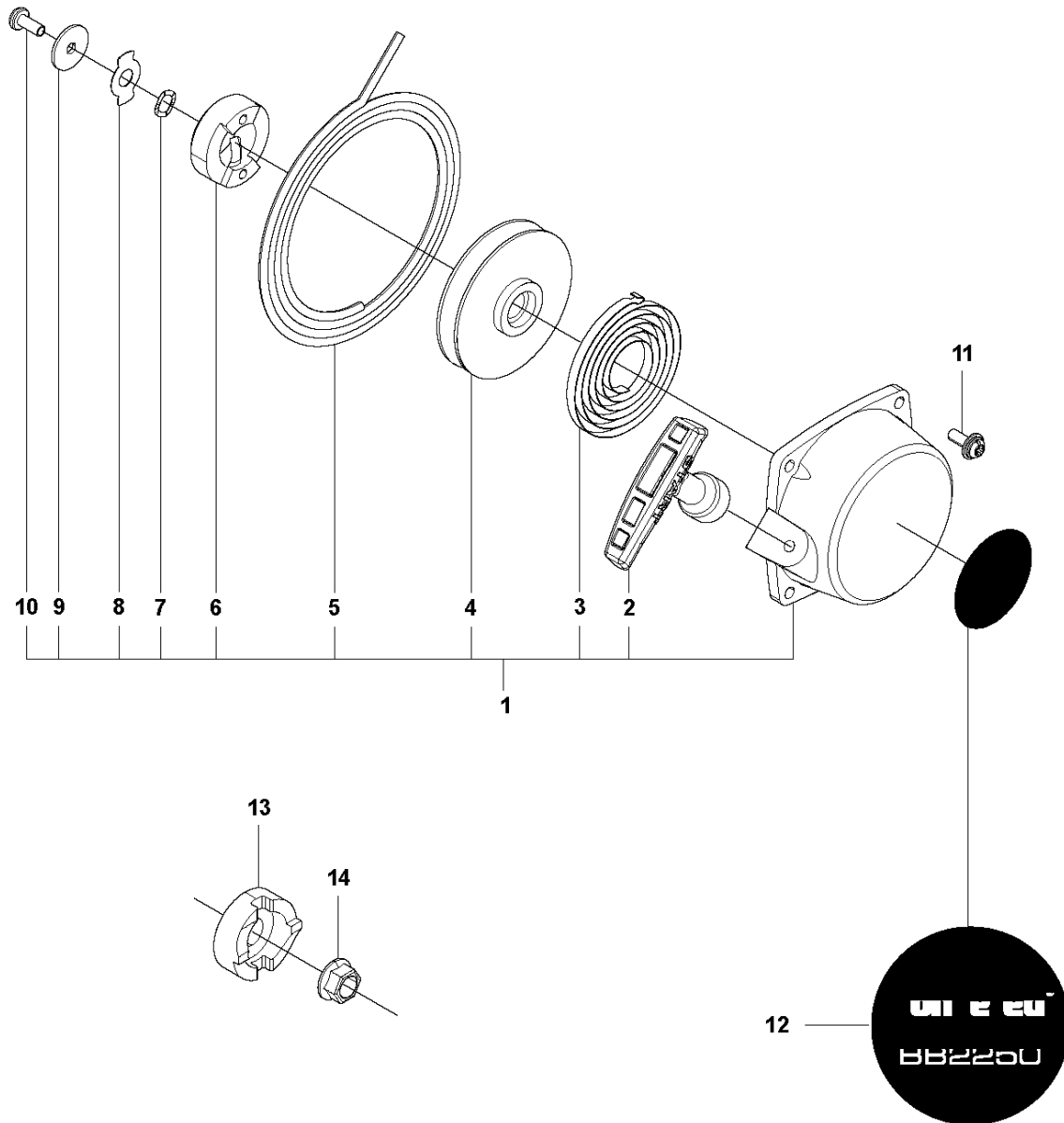


## PISTON &amp; CRANKSHAFT

BB2250, 2009-09

Ref	Part No	Description	Remark	QTY	KIT
1	502 84 89-01	CRANKCASE		1	
2	502 84 90-01	SEALING		1	1
3	502 84 91-01	BEARING		2	1
4	502 84 92-01	SEALING		1	1
5	510 55 13-01	RING		1	
6	544 25 88-01	BOLT		4	
7	502 84 94-01	GASKET		1	
8	544 25 91-01	BOLT		6	

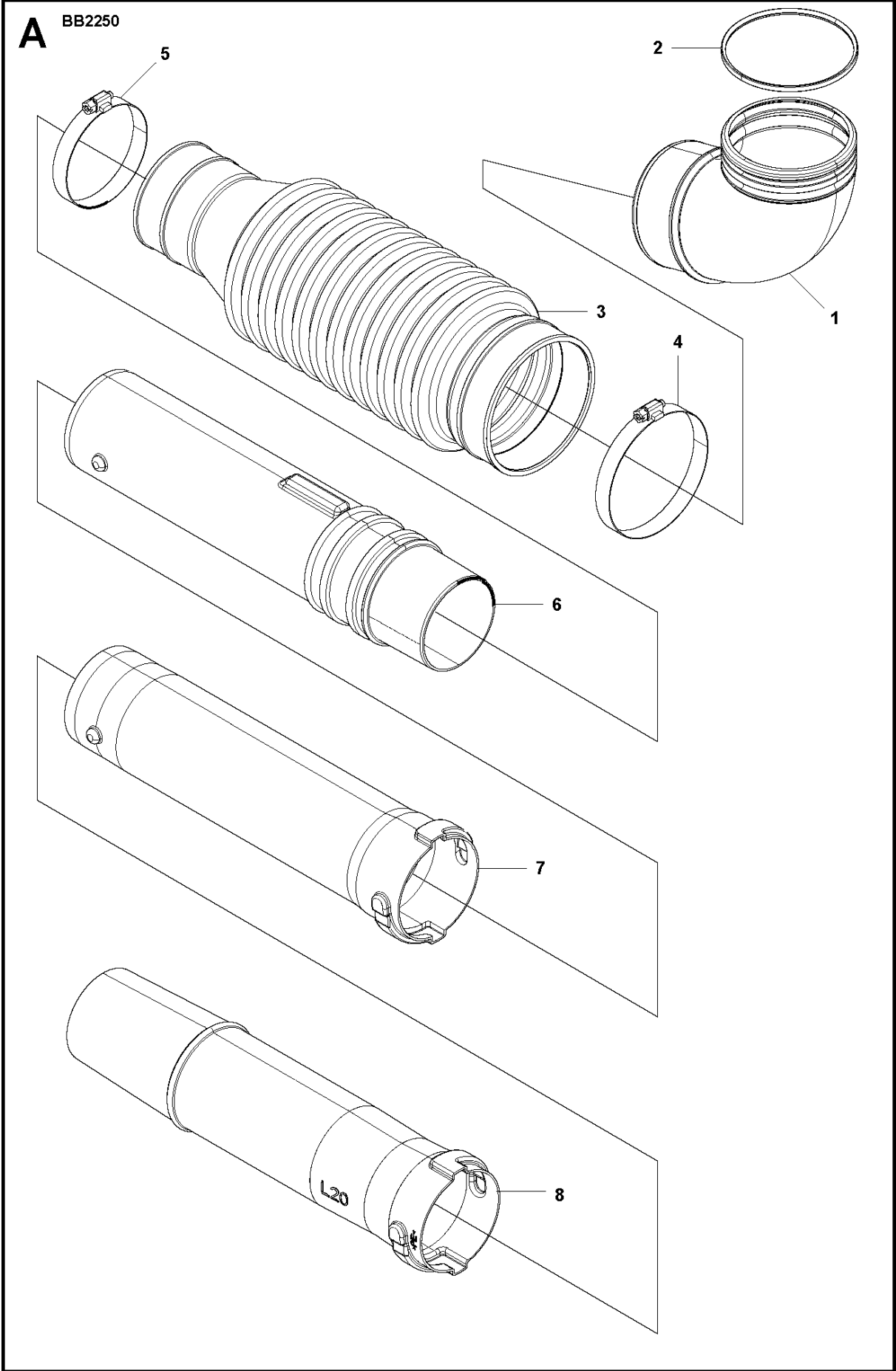
**D** BB2250



## STARTER

BB2250, 2009-09

Ref	Part No	Description	Remark	QTY	KIT
1	502 84 31-01	STARTER ASSY		1	
2	502 84 32-01	KNOB		1	1
3	502 84 33-01	SPRING		1	1
4	502 84 34-01	STARTER PULLEY		1	1
5	502 84 35-01	CORD		1	1
6	504 55 48-01	STARTER PAWL		1	1
7	502 84 36-01	WASHER		1	1
8	504 55 49-01	RETAINER		1	1
9	502 84 37-01	WASHER		1	1
10	502 84 38-01	SCREW		1	1
11	502 84 39-01	SCREW		4	
12	573 93 62-01	LABEL		1	
13	516 34 89-01	PULLEY		1	
14	544 25 99-01	NUT		1	





Ref	Part No	Description	Remark	QTY KIT
1	502 84 25-01	PIPE BEND		1
2	544 26 45-01	O-RING		1
3	502 84 26-01	BELLOWS		1
4	544 27 41-01	CLAMP		1
5	504 06 49-01	CLAMP		1
6	504 06 48-01	PIPE		1
7	504 06 47-01	TUBE		1
8	516 89 80-01	PIPE?END		1