

Item # : BU52SV6D
Assembly Instructions

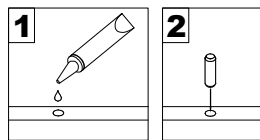


Please visit our website for the most current instructions, assembly tips, report damage, or request parts. www.walkerredison.com

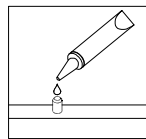
Revised 01/2018

General Assembly Guidelines

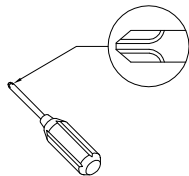
- I. Ensure that all parts and hardware are available before beginning assembly.
- II. Follow each step carefully to ensure the proper assembly of this product.
- III. Two people are recommended for ease in the assembly of this product.
- IV. The three main types of hardware used to assemble this product are : wood dowels , screws and bolts.
- V. The provided glue is to secure wood dowels in place . When first inserting dowels , locate the appropriate hole for the dowel , place a small amount of glue in the hole and insert the dowel . Wipe away excess glue immediately.



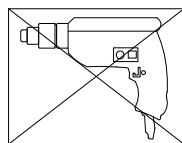
In future assembly steps when dowels are necessary to attach assembly parts together , place a small amount of glue on the end of the dowel before attaching parts together . Wipe away excess glue immediately.



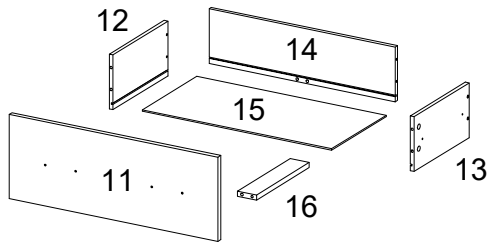
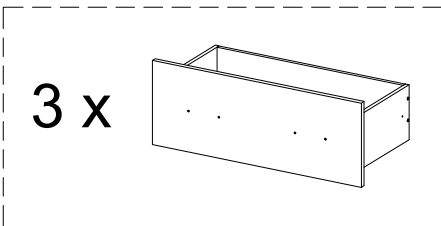
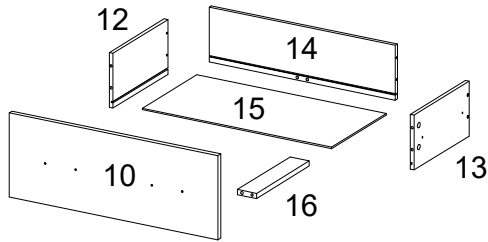
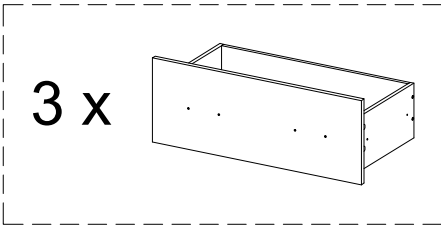
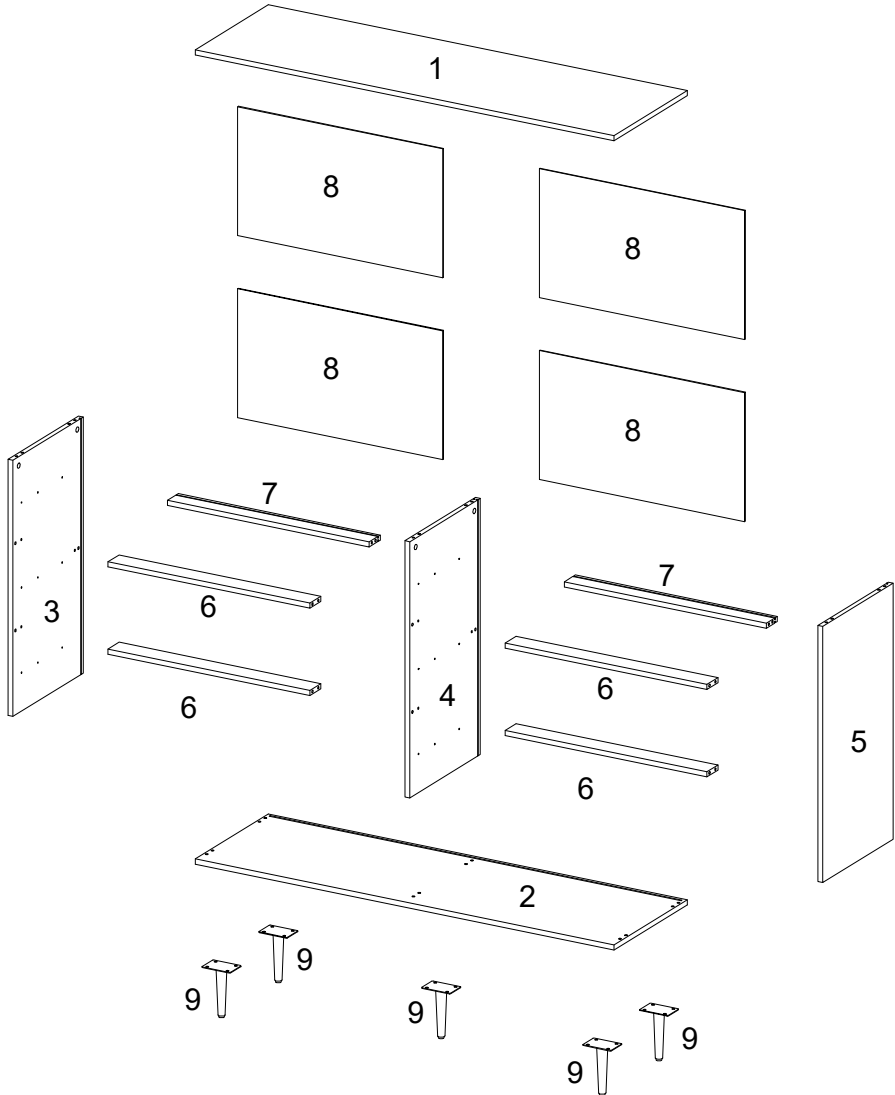
- VI. A Phillips head screwdriver is required for the assembly of this product .





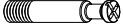
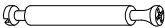



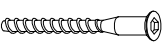


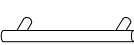


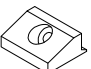

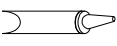

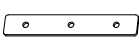



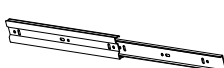
- VII. Power tools should not be used to assemble this product .



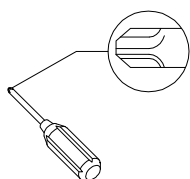
Parts List



Hardware List

A		Ø8x30mm	Wooden dowel	30 pcs
B		Ø8x50mm	Wooden dowel	3 pcs
C		Ø6x35mm	Cam bolt	48 pcs
D		Ø6x64mm	Cam bolt	3 pcs
E		Ø15x11mm	Cam lock	24 pcs
F		Ø15x9mm	Cam lock	24 pcs
G		Ø30mm	Sticker	48 pcs
H		Ø6x50mm	Bolt	6 pcs
J		Ø6x12mm	Bolt	20 pcs
K		M 4	Wrench	1 pcs
L			Handle	12 pcs
M		Ø4x22mm	Handle Bolt	24 pcs
N		Ø3x17mm	Screw	16 pcs
P			Plastic wedge	16 pcs
Q		Ø3x25mm	Screw	30 pcs
R			Glue tube	1 pcs
S		Ø4x14mm	Screw	60 pcs
T		94x15x2mm	Flat plate	2 pcs
U		Ø4x12mm	Screw	4 pcs
V		Ø3x26mm	Screw	2 pcs
W		Ø8x30mm	Plug	2 pcs
X			Drawer slider	6 sets

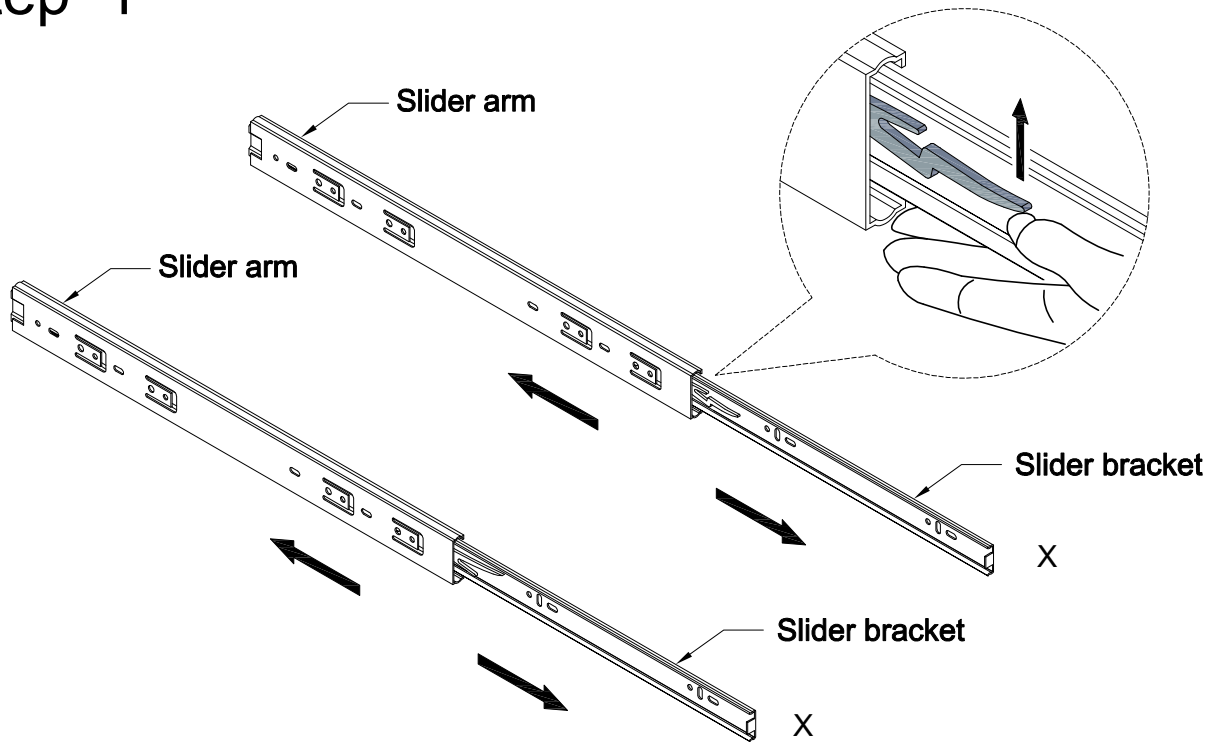
* Note: This piece comes preassembled for shipping purposes and must be disassembled to complete assembly.



Philips head screwdriver required for assembly
(not included)

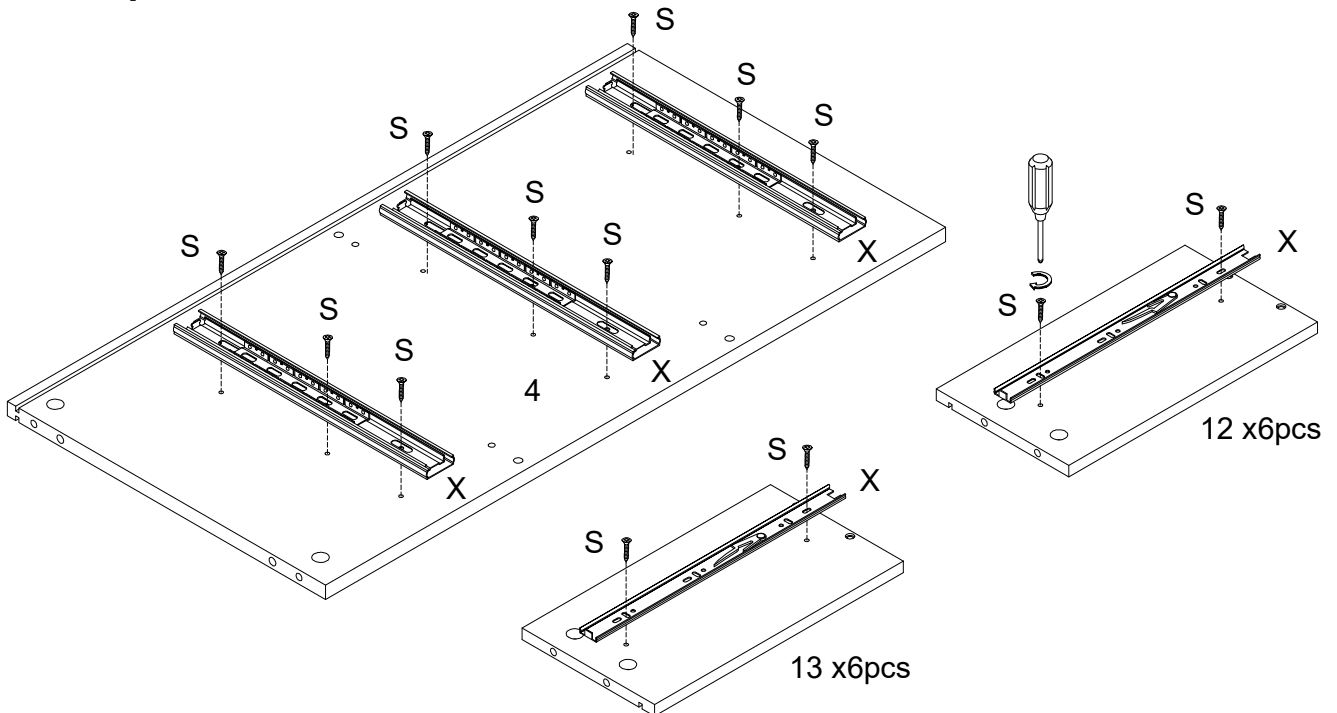
*The hardware quantities listed above are required for proper assembly.
Some extra hardware may also have been included.*

Step 1



Disassemble drawer slider (X) by sliding the slider arm and slider bracket apart. Depress the small lever of the slider bracket and carefully pull the two pieces apart. Repeat this process for both drawer sliders (X).

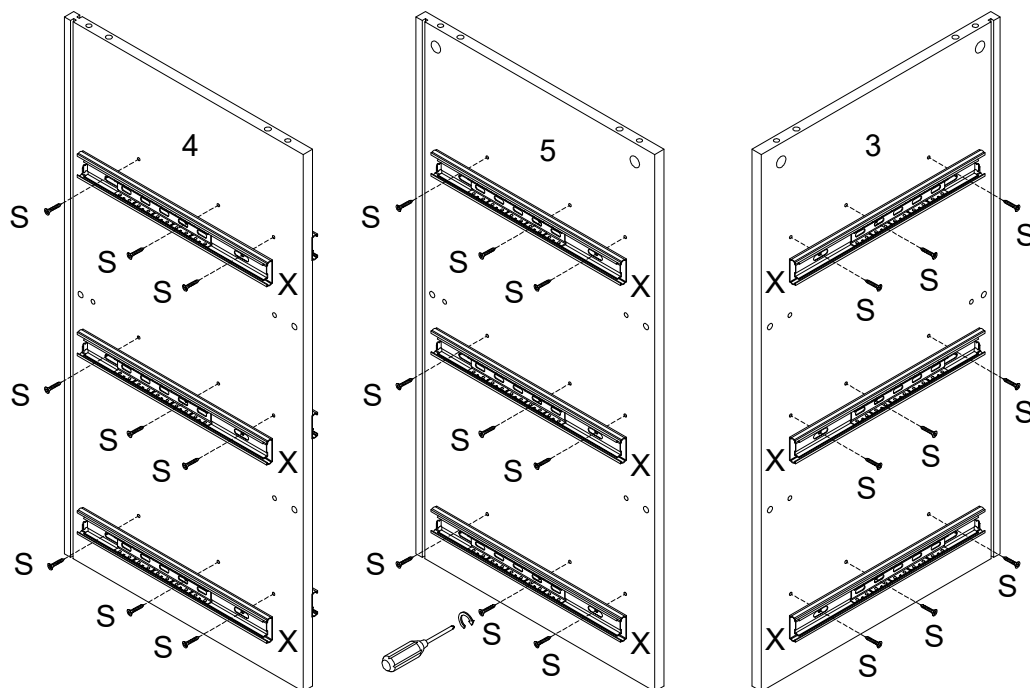
Step 2



Secure slider arm (X) to side panel (4) with screw (S).

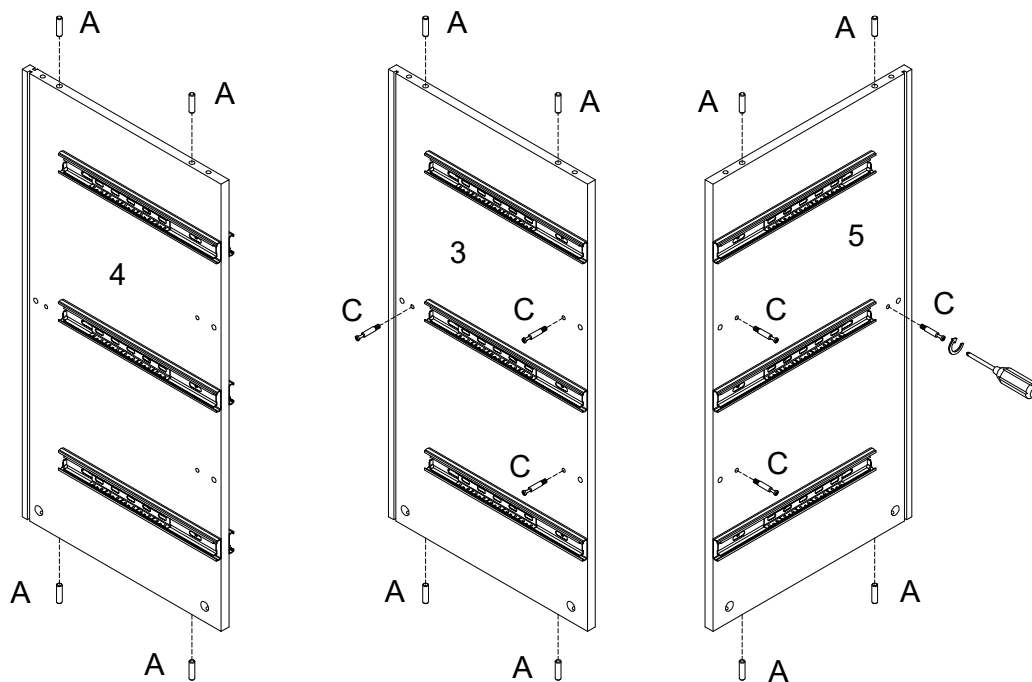
Secure slider bracket (X) to drawer side panel (12,13) with screw (S), repeat this step six times.

Step 3



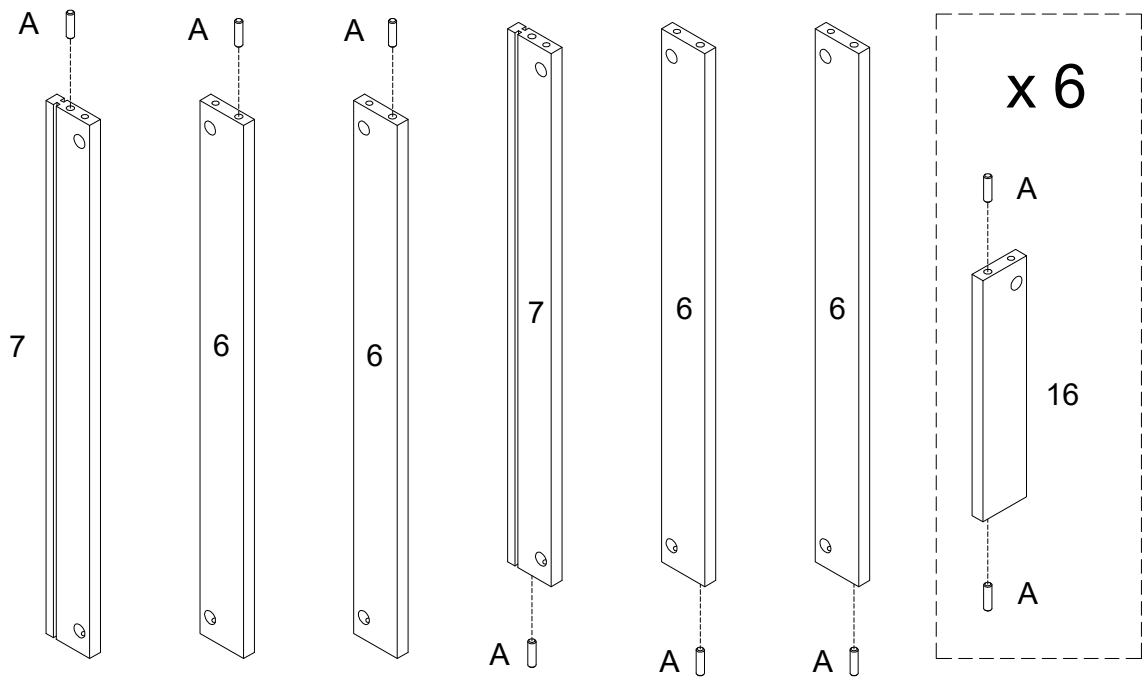
Secure slider arm (X) to side panel (3,4,5) with screw (S). Please note side panel (4) will have slider arm (X) on both sides.

Step 4



Insert wooden dowel (A) into side panel (3,4,5) and secure cam bolt (C) to side panel (3,5).

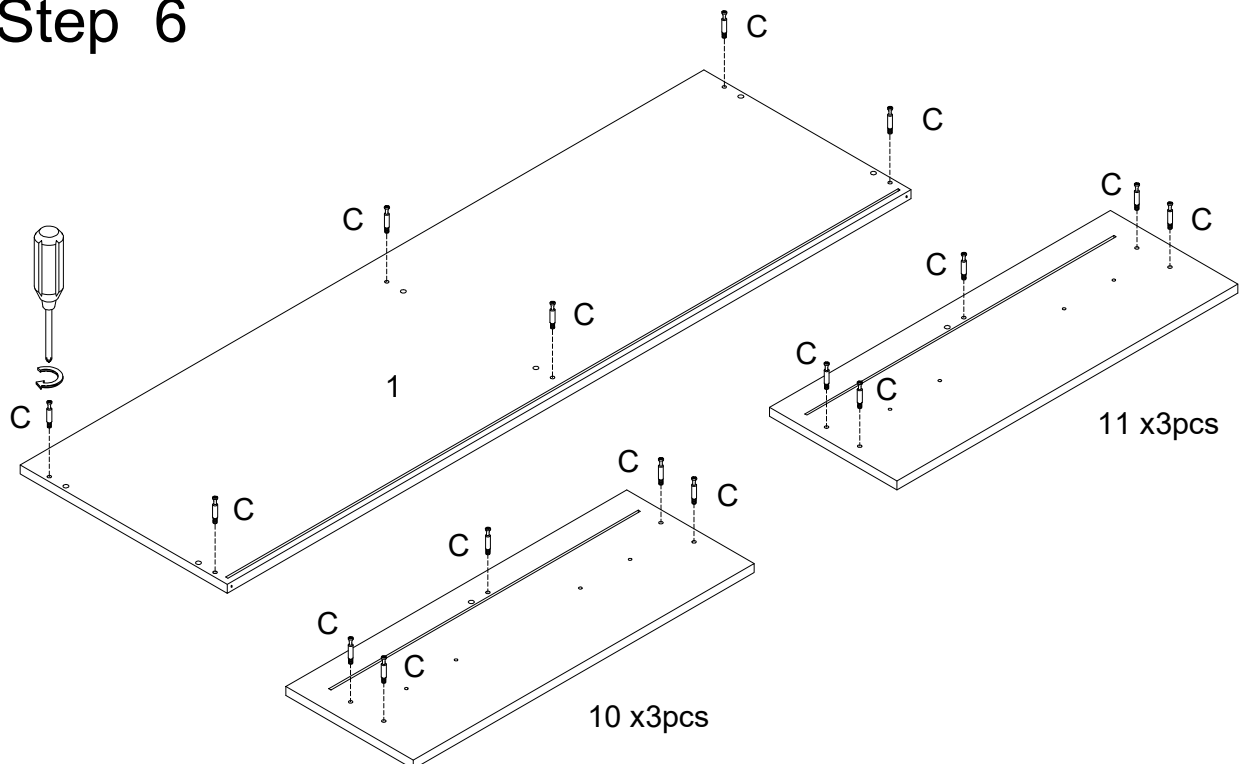
Step 5



Insert wooden dowel (A) into part (6,7).

Insert wooden dowel (A) into part (16), repeat this step six times.

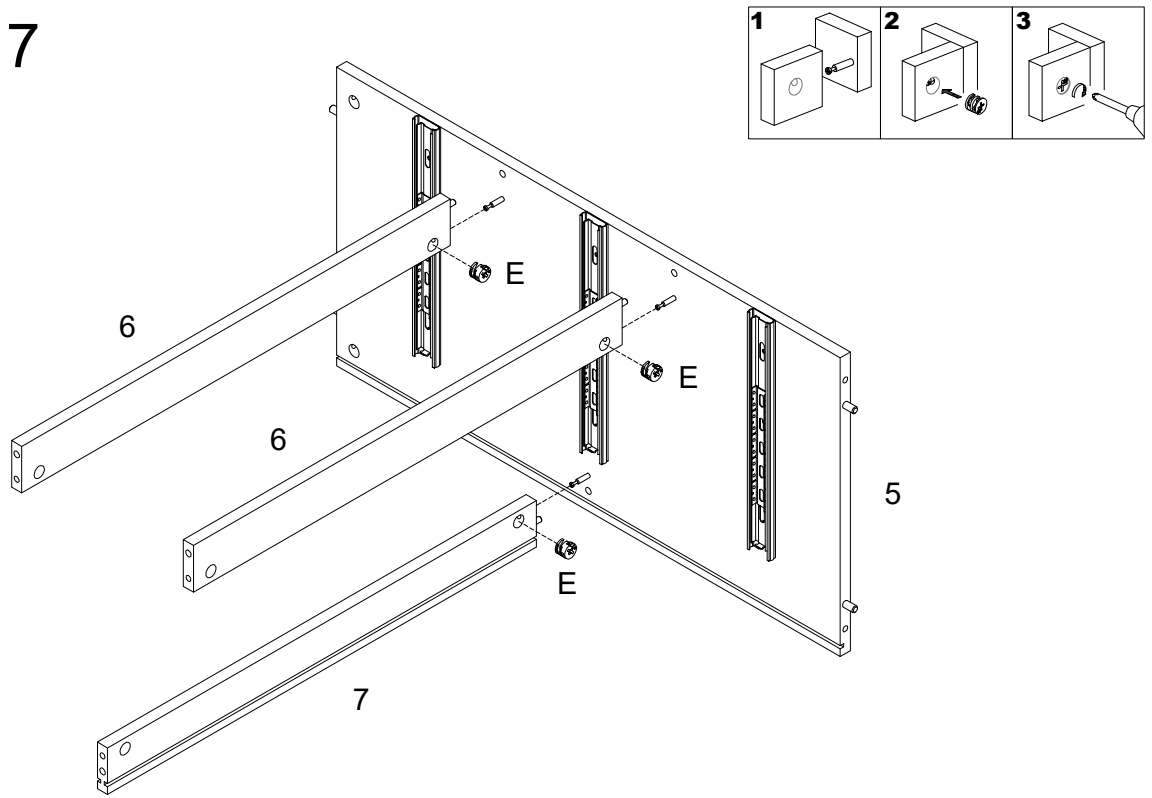
Step 6



Secure cam bolt (C) to top panel (1).

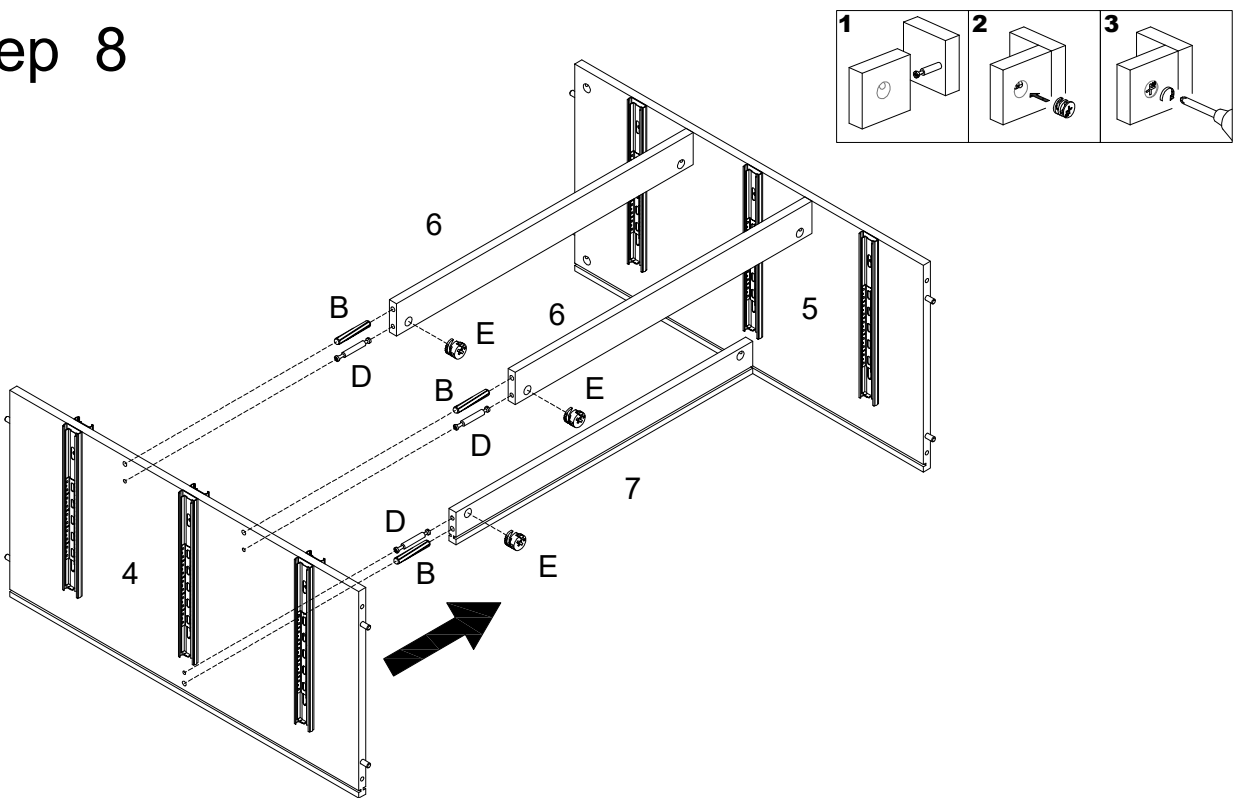
Secure cam bolt (C) to drawer front panel (10,11), repeat this step three times.

Step 7



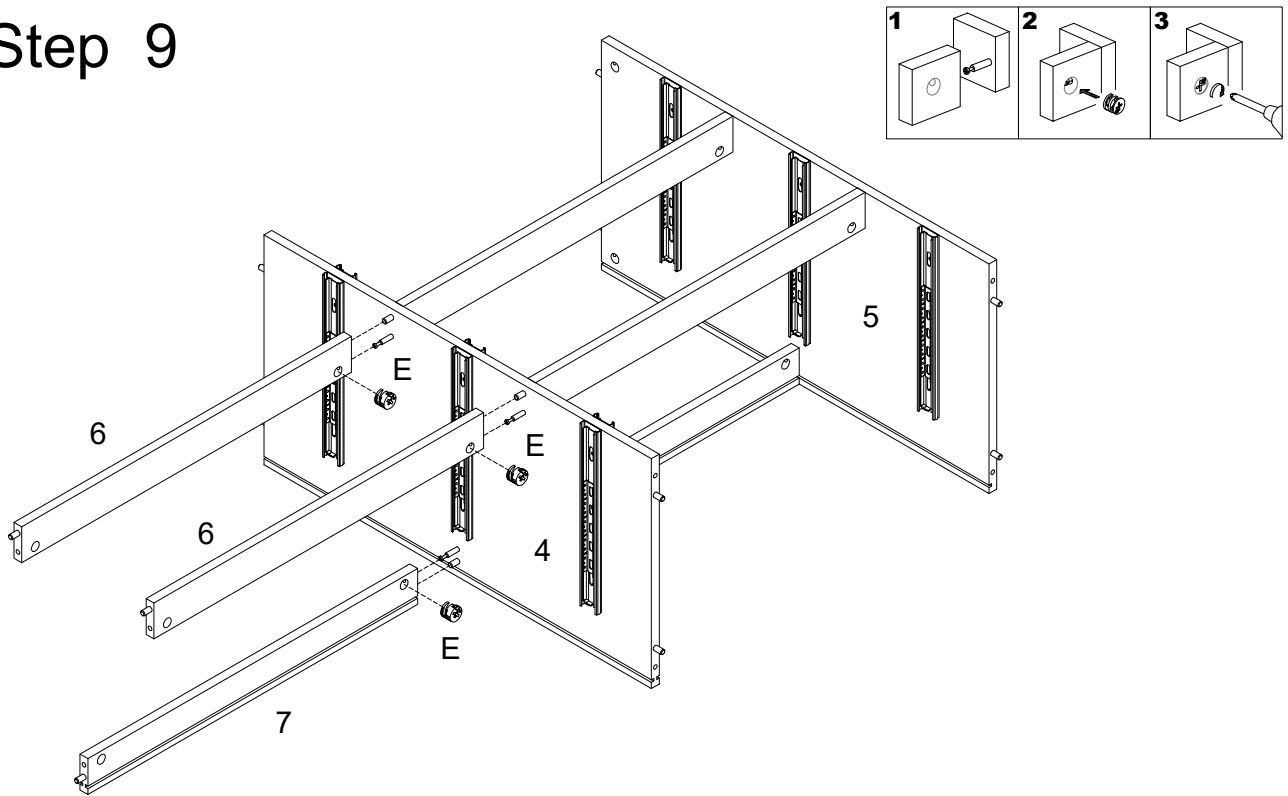
Insert side panel (5) into part (6,7), then insert and secure cam lock (E) to part (6,7) to lock it.

Step 8



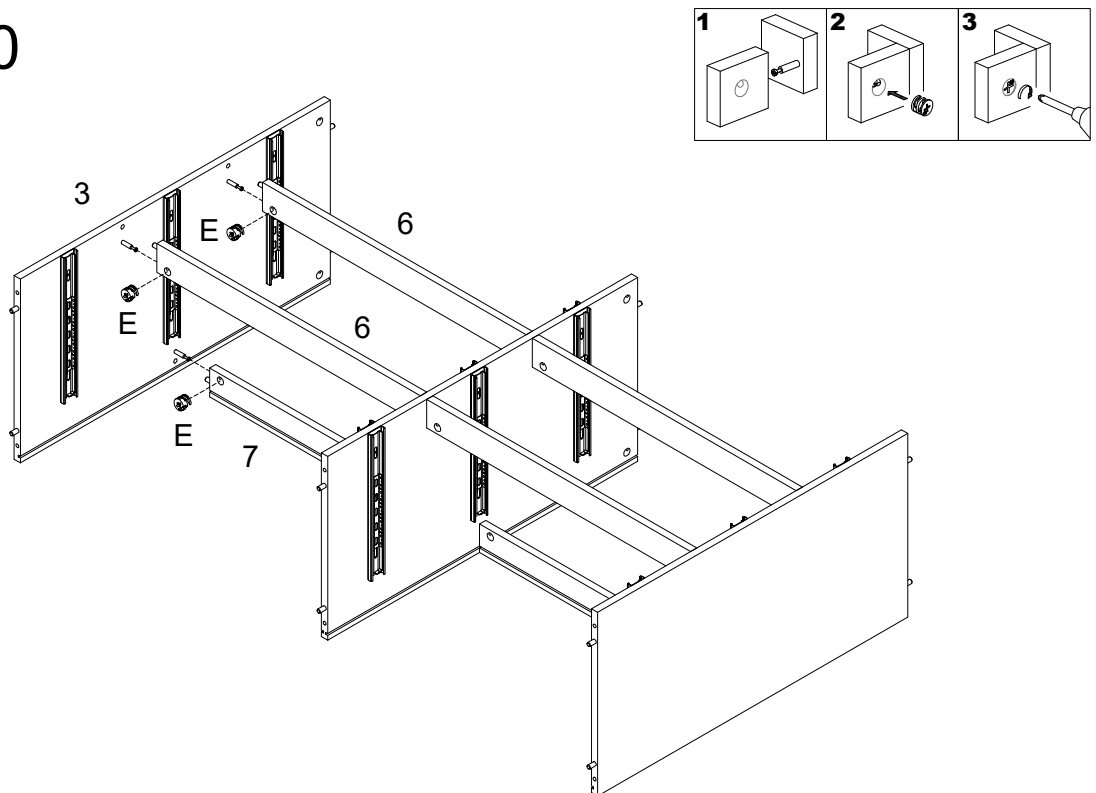
Insert wooden dowel (B) and cam bolt (D) into part (6,7) first, then insert side panel (4) to part (6,7), then insert and secure cam lock (E) to part (6,7) to lock it.

Step 9



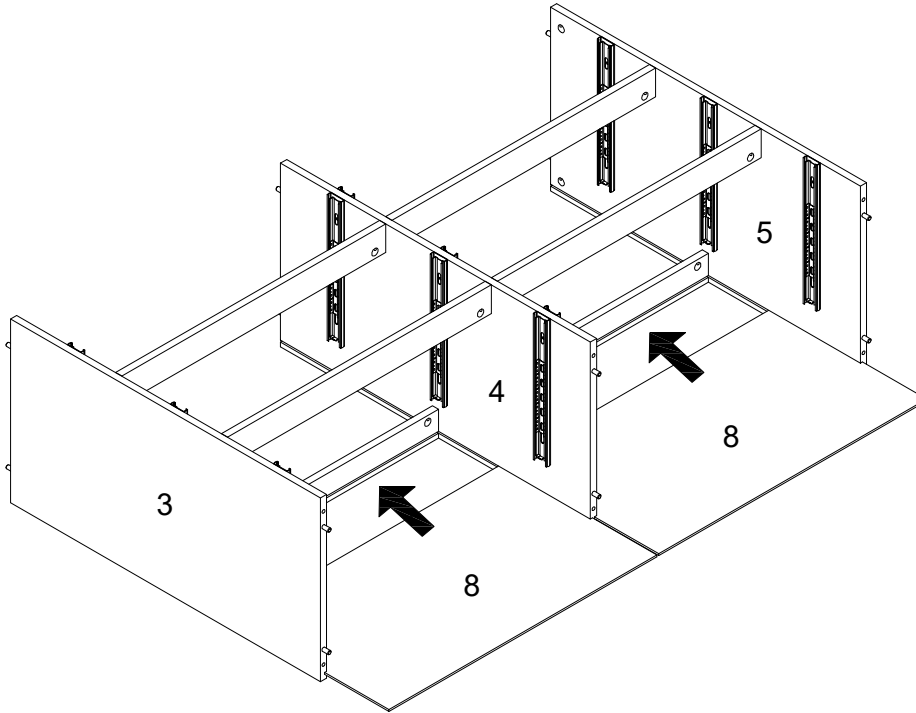
Insert side panel (4) into part (6,7), then insert and secure cam lock (E) to part (6,7) to lock it.

Step 10



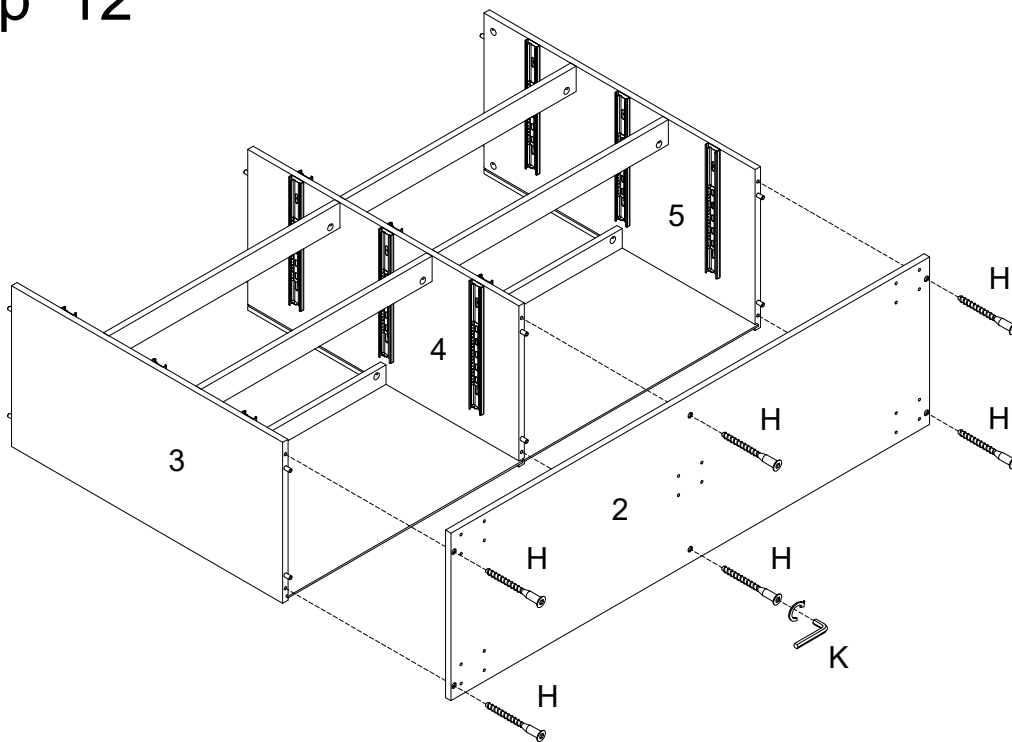
Insert side panel (3) into part (6,7), then insert and secure cam lock (E) to part (6,7) to lock it.

Step 11



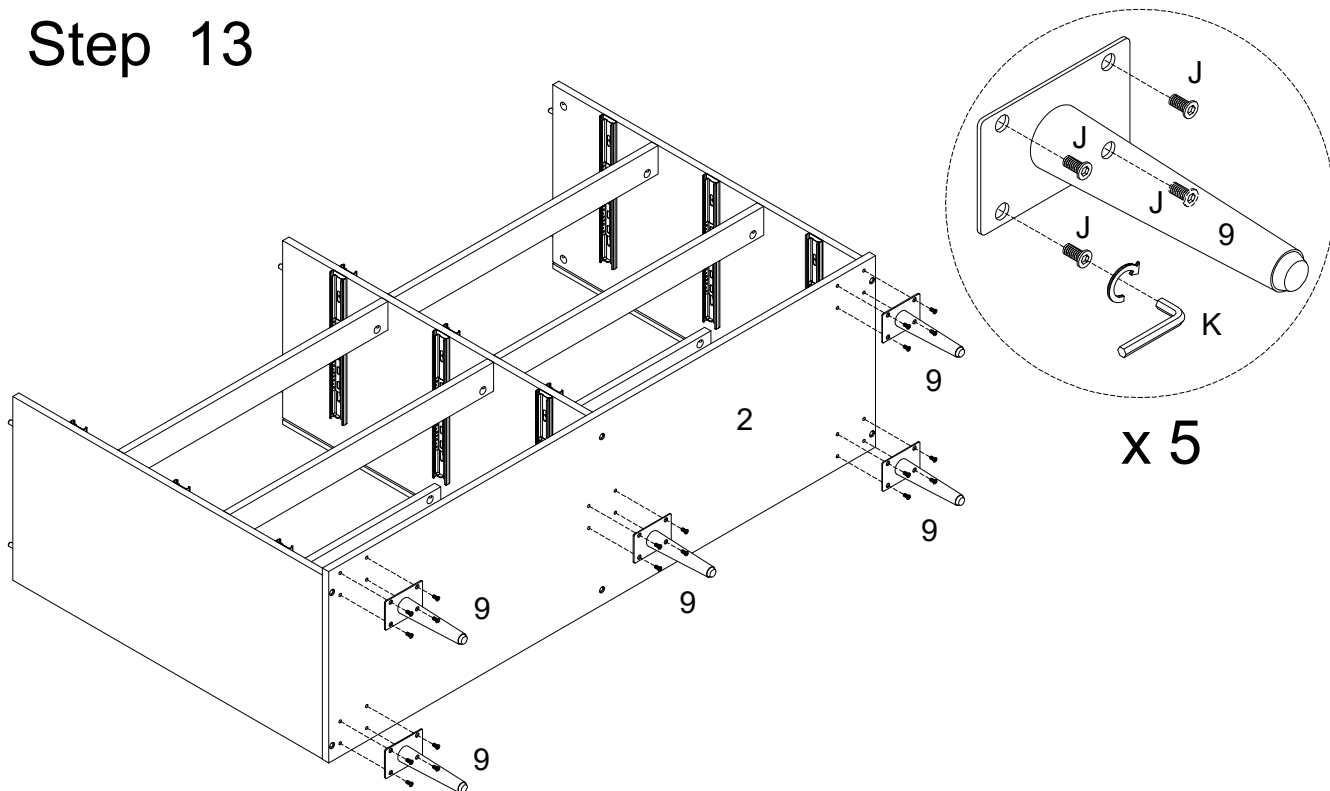
Slide back panels (8) into grooves as per diagram.

Step 12



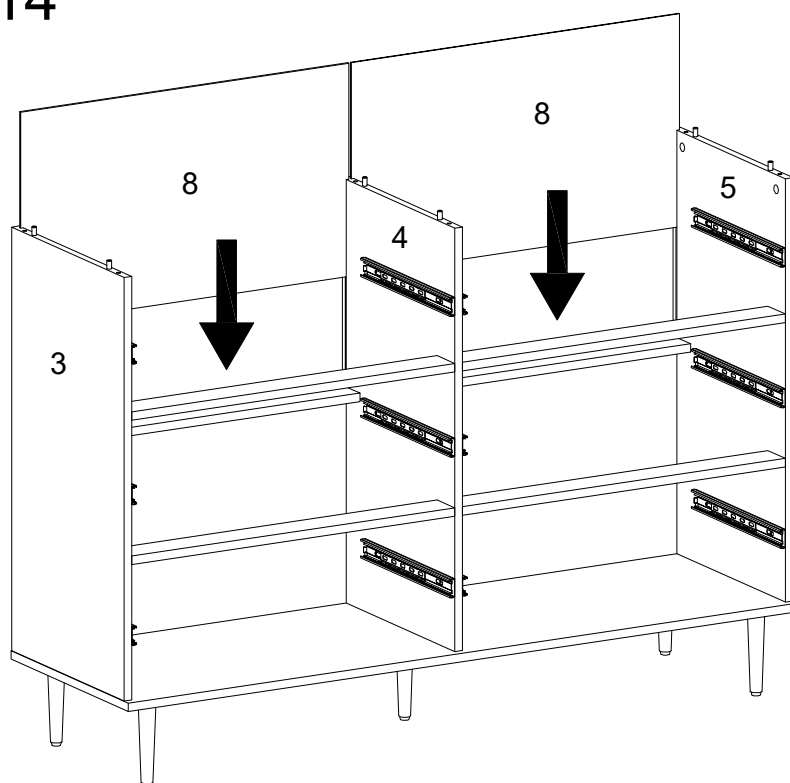
Use wrench (K) to secure bottom panel (2) to side panel (3,4,5) with bolt (H).

Step 13



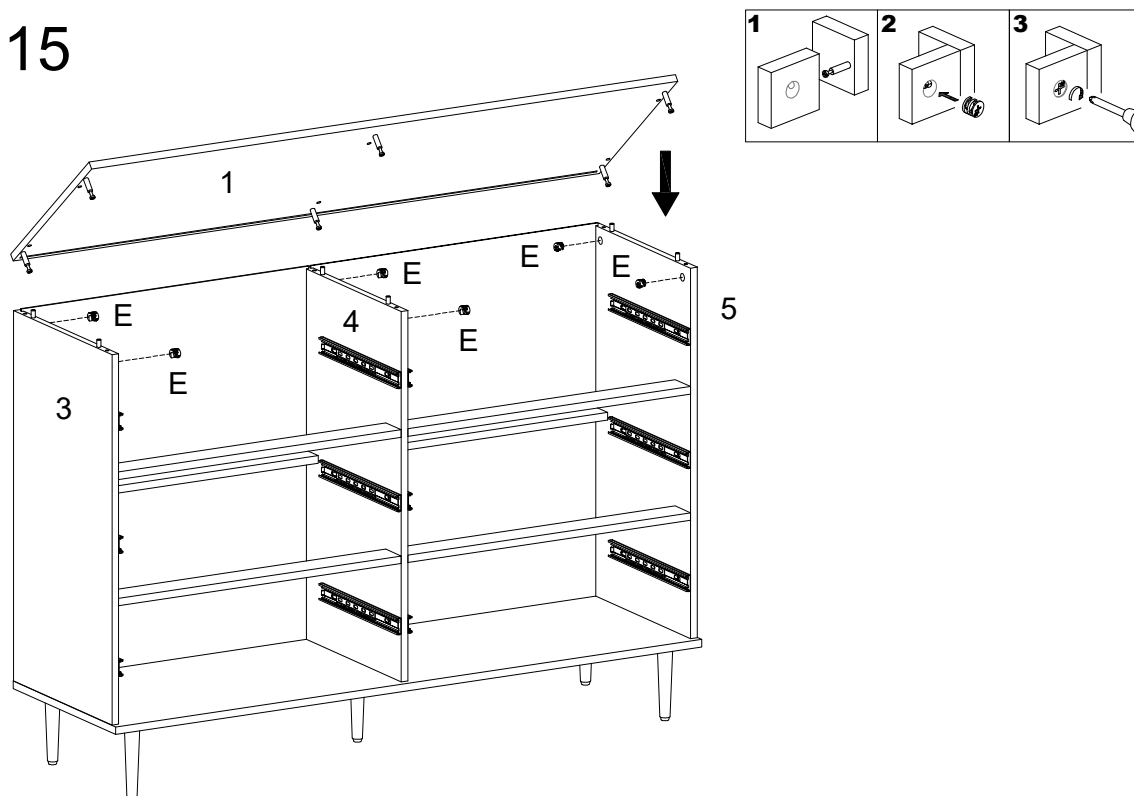
Use wrench (K) to leg (9) to bottom panel (2) with bolt (J).

Step 14



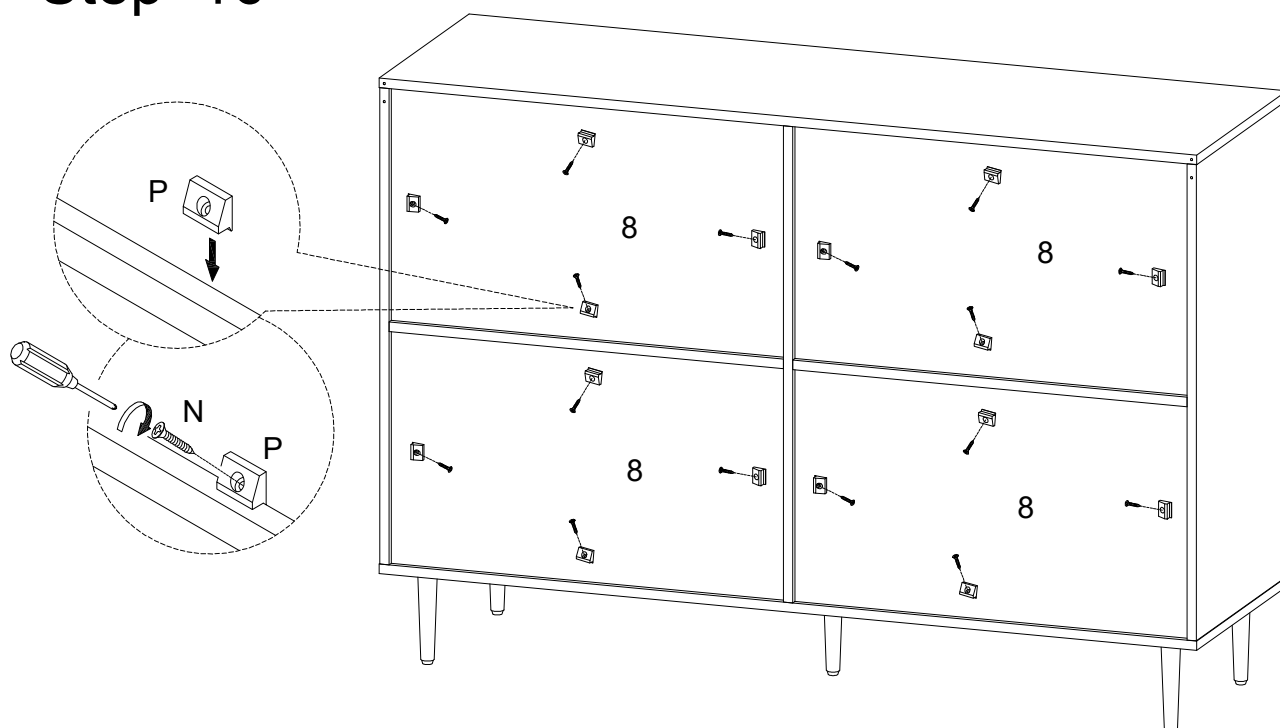
Slide back panels (8) into grooves as per diagram.

Step 15



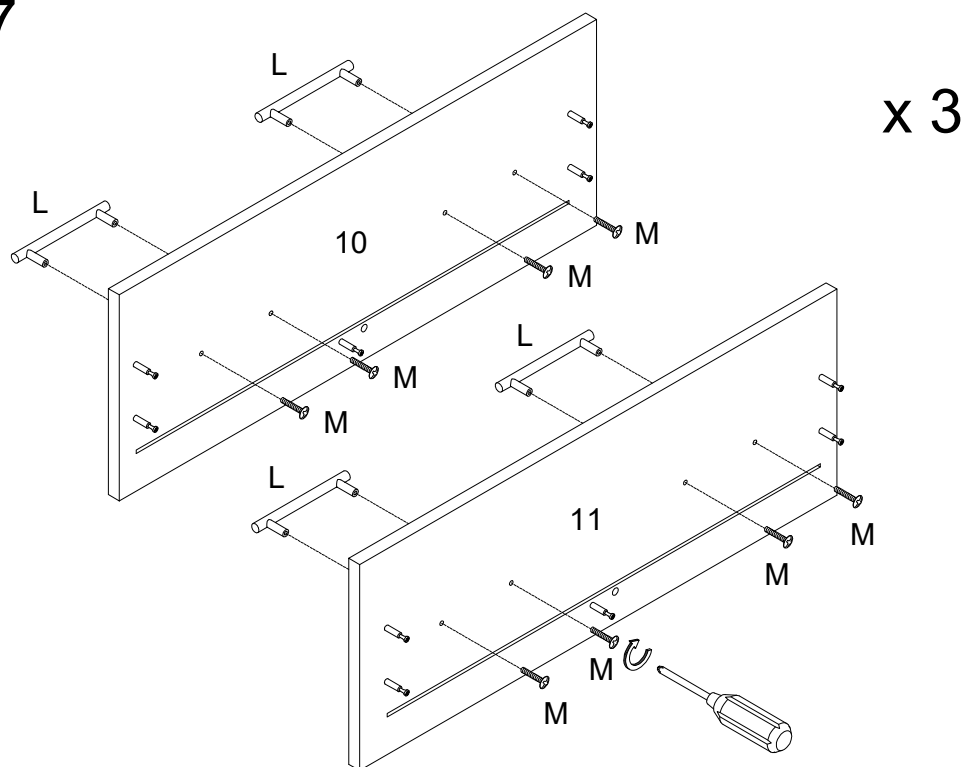
Insert top panel (1) into side panel (3,4,5), then insert and secure cam lock (E) to side panel (3,4,5) to lock it.

Step 16



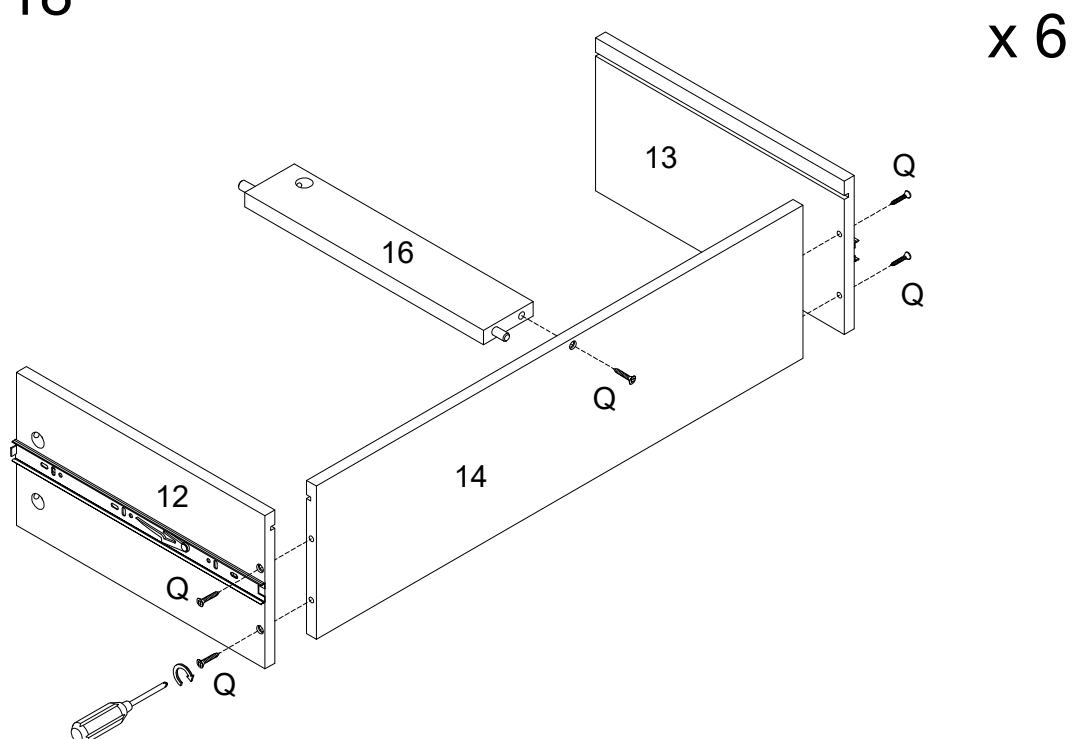
Secure plastic wedge (P) to back panel (8) with screw (N).

Step 17



Secure handle (L) to drawer front panel (10,11) with handle bolt (M), repeat this step three times.

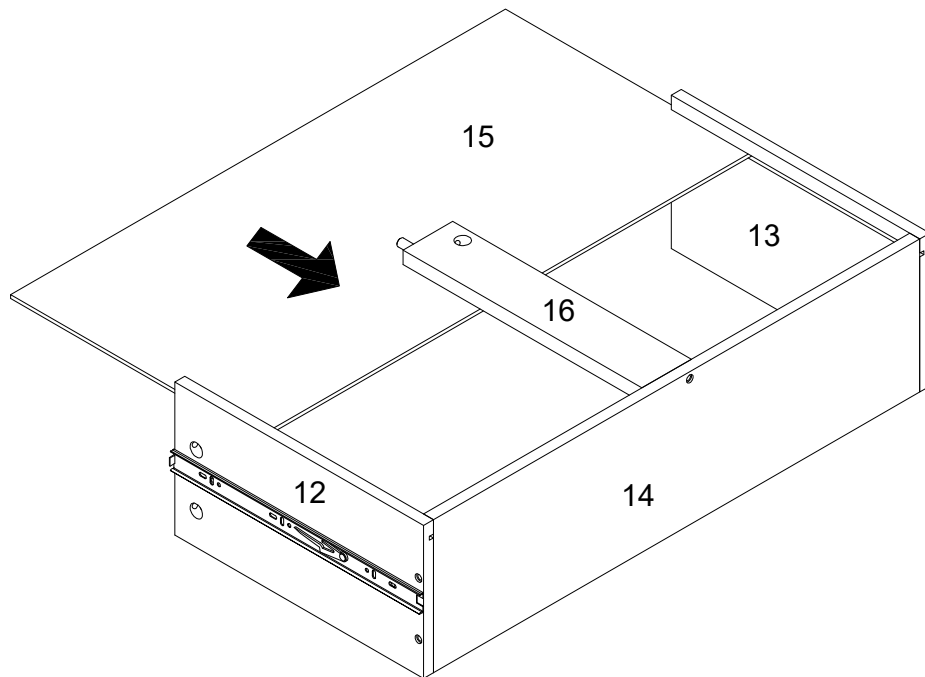
Step 18



Secure drawer side panel (12,13) and part (16) to drawer back panel (14) with screw (Q), repeat this step six times.

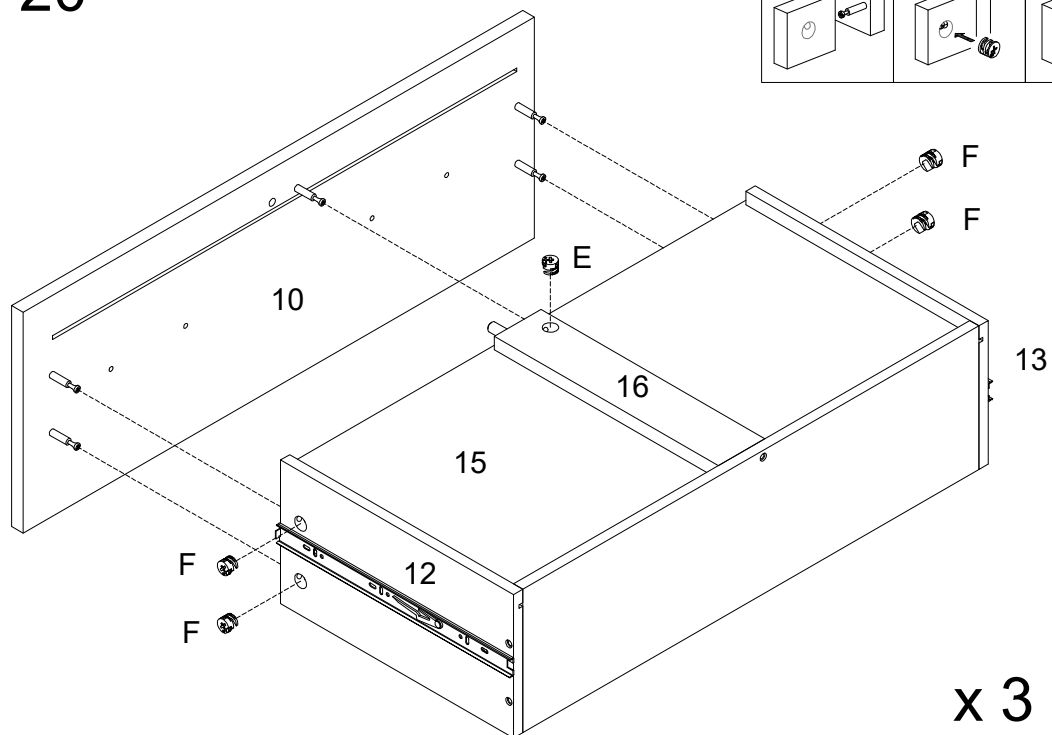
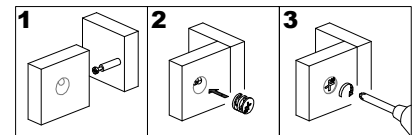
Step 19

x 6



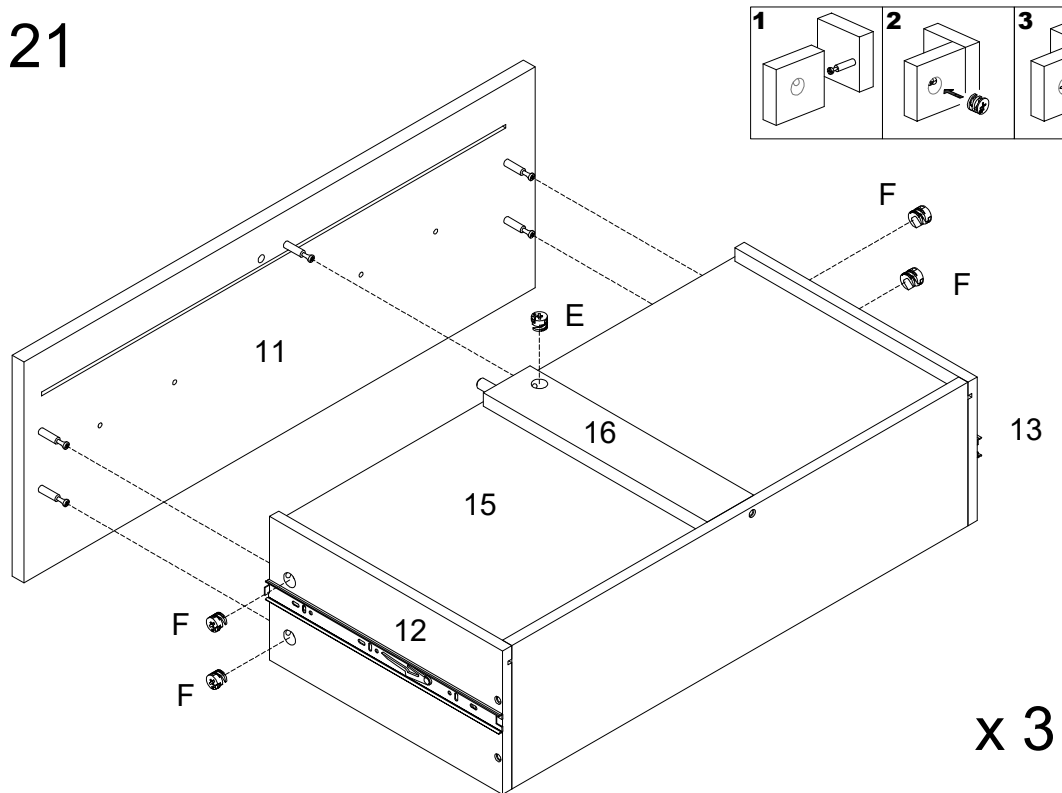
Slide drawer bottom panel (15) into grooves as per diagram.

Step 20



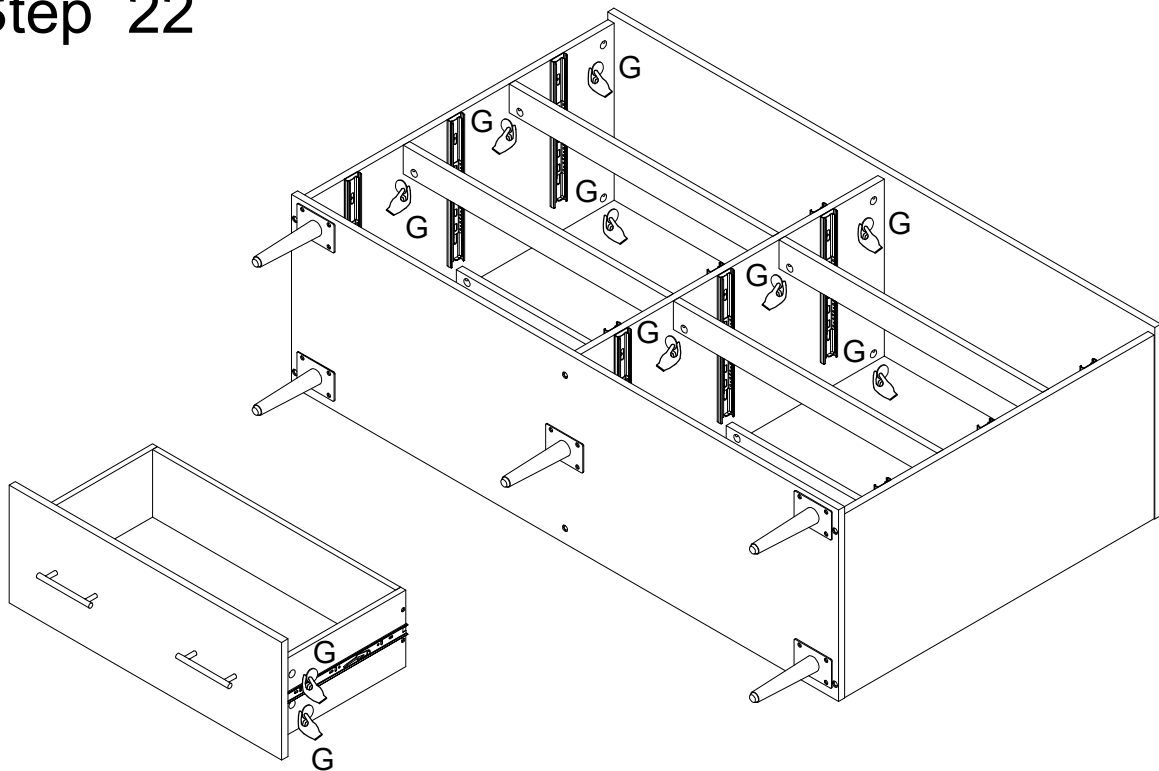
Insert drawer front panel (10) into side panel (12,13) and part (16), then insert and secure cam lock (F) to side panel (12,13) and cam lock (E) to part (16) to lock it, repeat this step three times.

Step 21



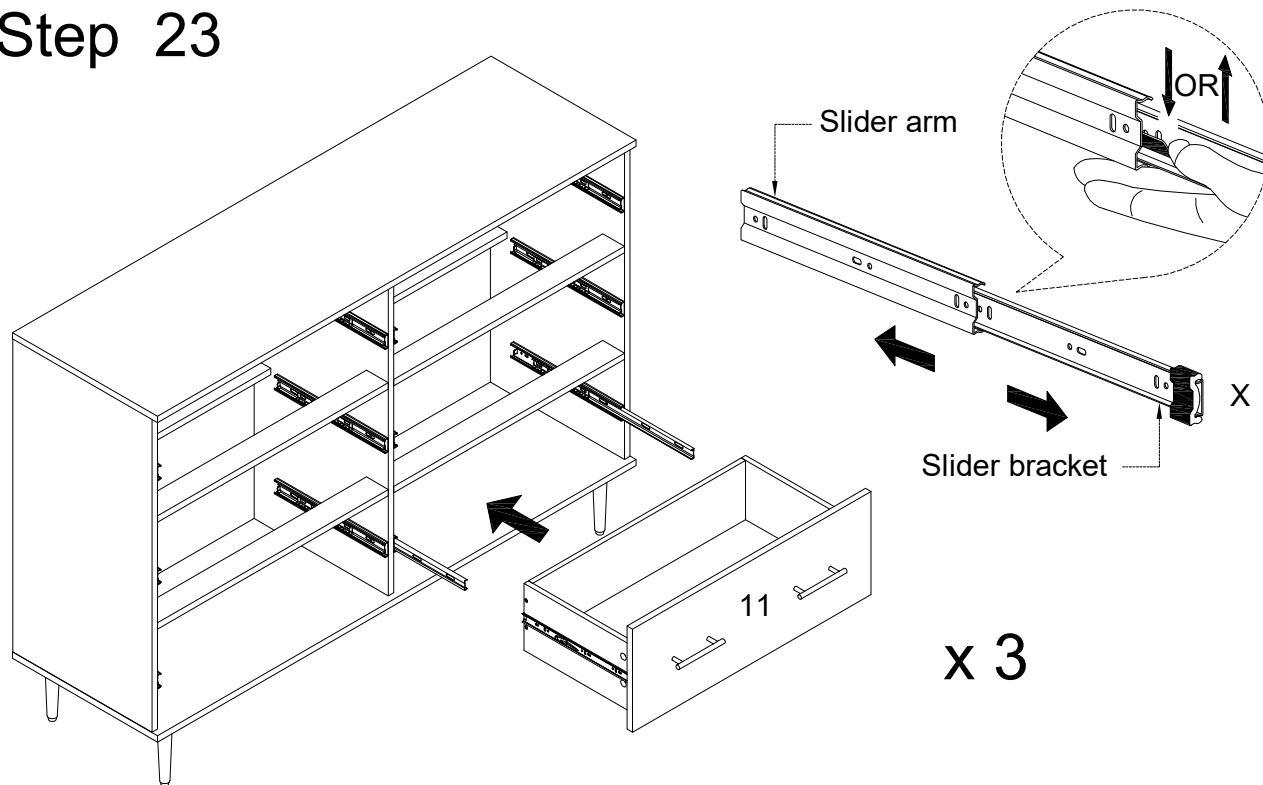
Insert drawer front panel (11) into side panel (12,13) and part (16), then insert and secure cam lock (F) to side panel (12,13) and cam lock (E) to part (16) to lock it, repeat this step three times.

Step 22



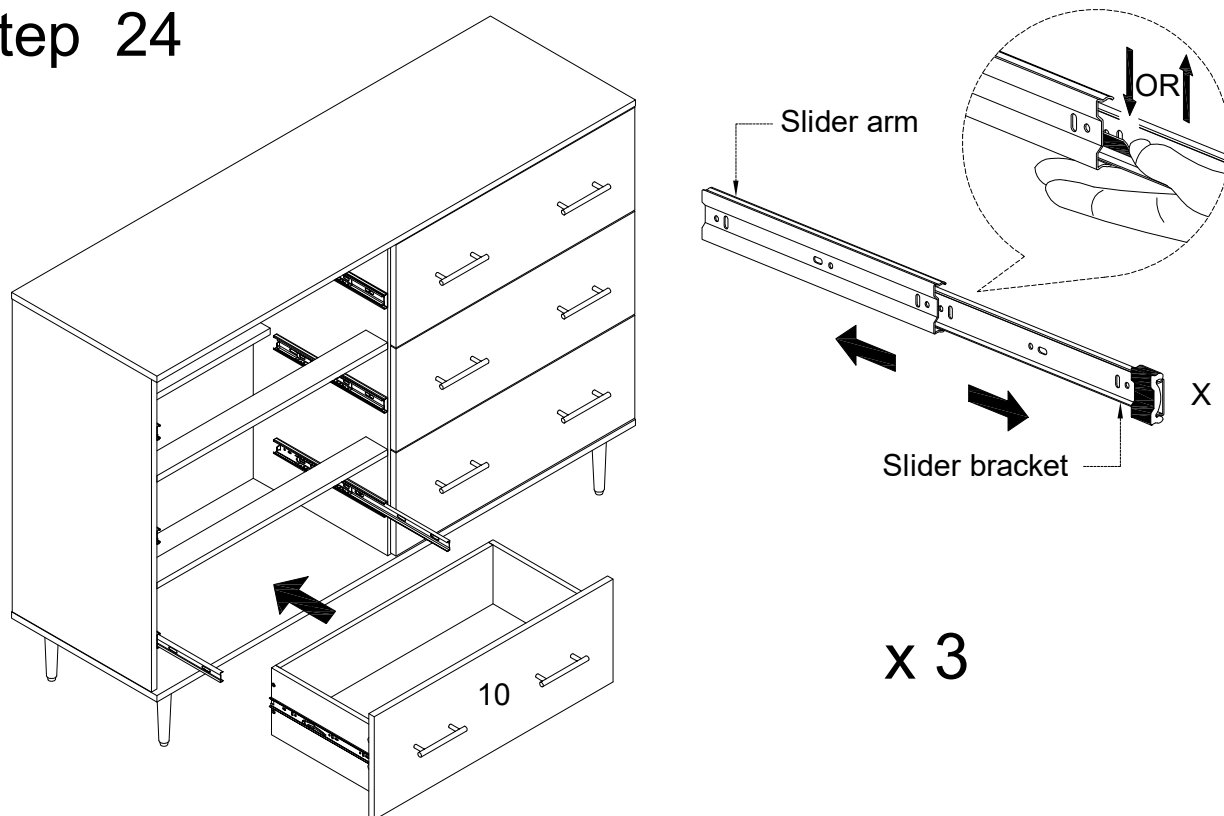
Place sticker (G) over holes as per diagram.

Step 23



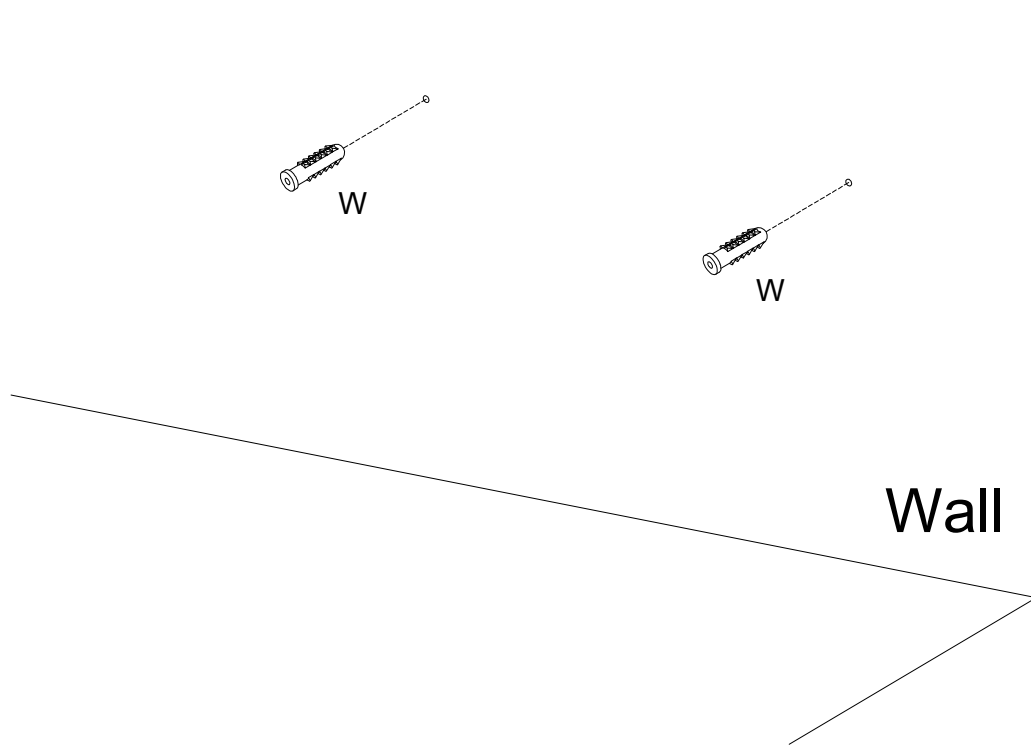
Press down/up on slider bracket (X) lock, then insert the drawer into slider arm (X) to lock it. Repeat this step 3 times.

Step 24



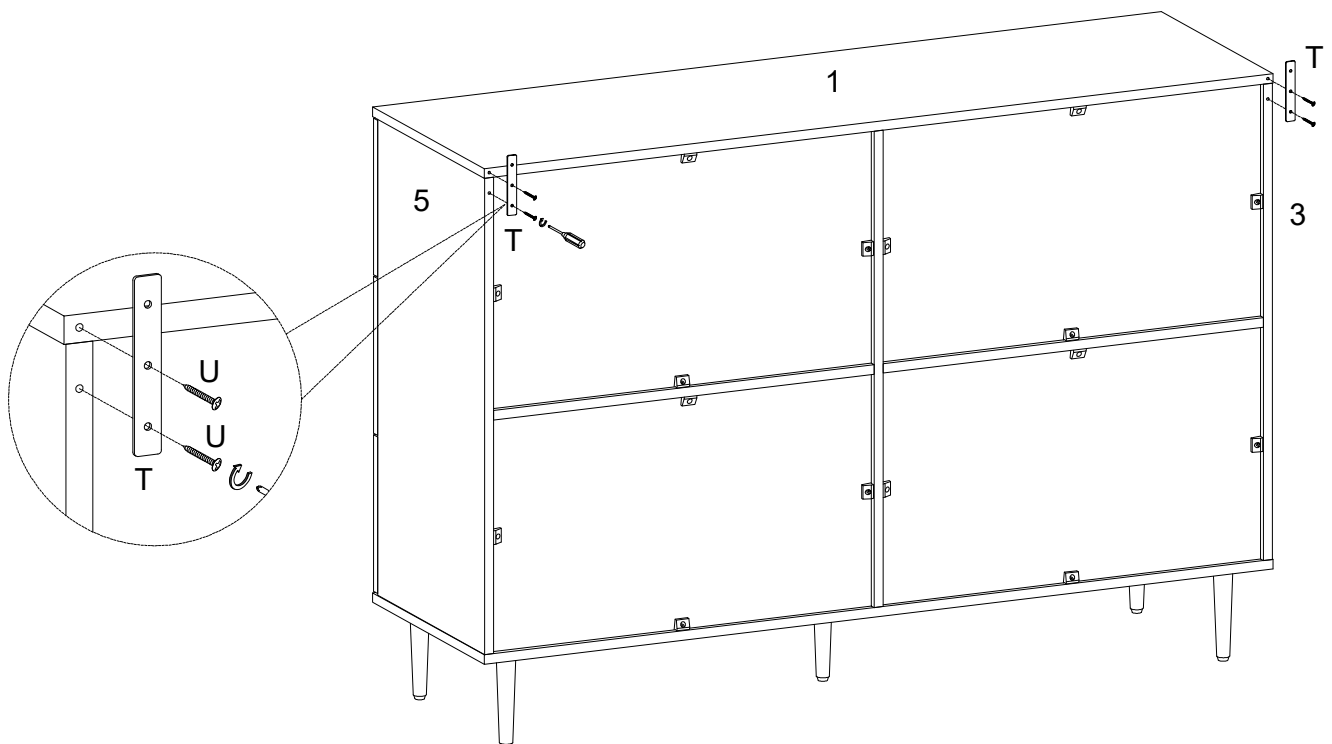
Press down/up on slider bracket (X) lock, then insert the drawer into slider arm (X) to lock it. Repeat this step 3 times.

Step 25



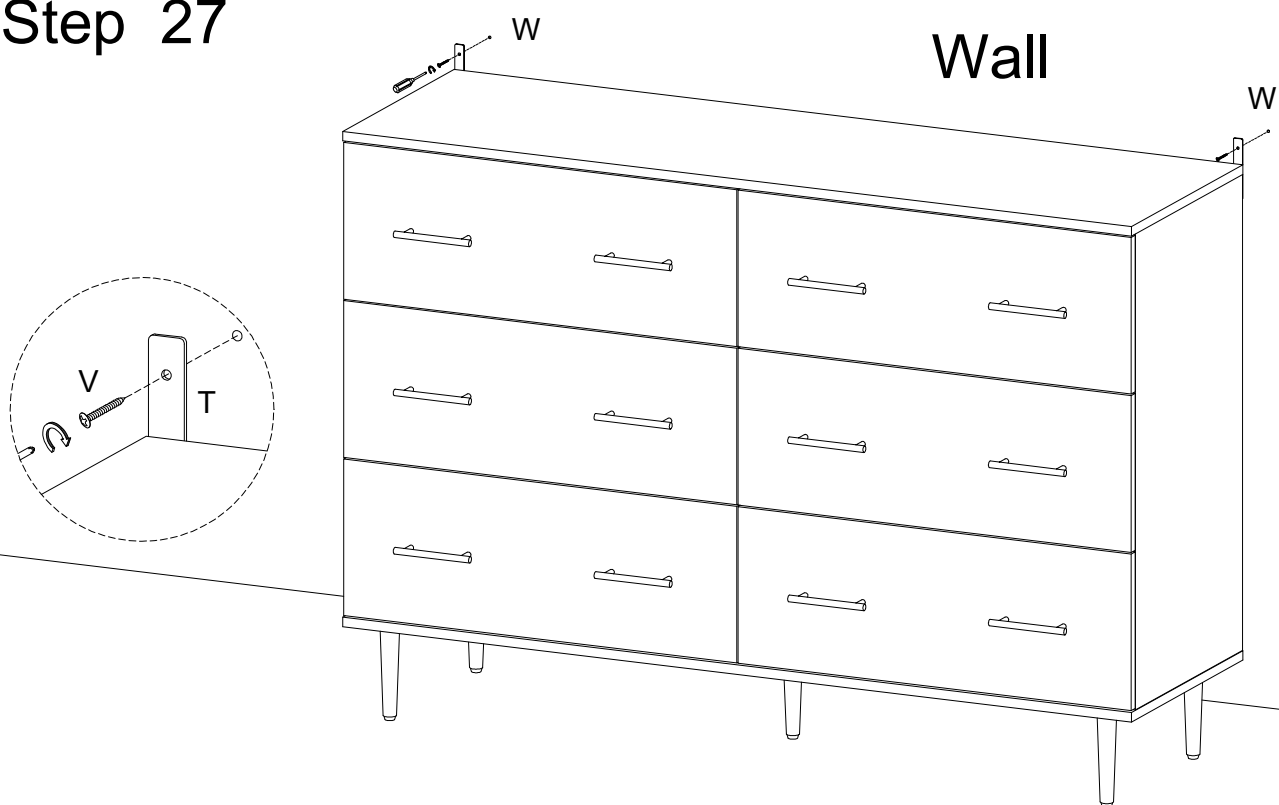
Place unit in desired location and mark the wall for anchor location. Insert plug (W) into wall as per diagram.

Step 26



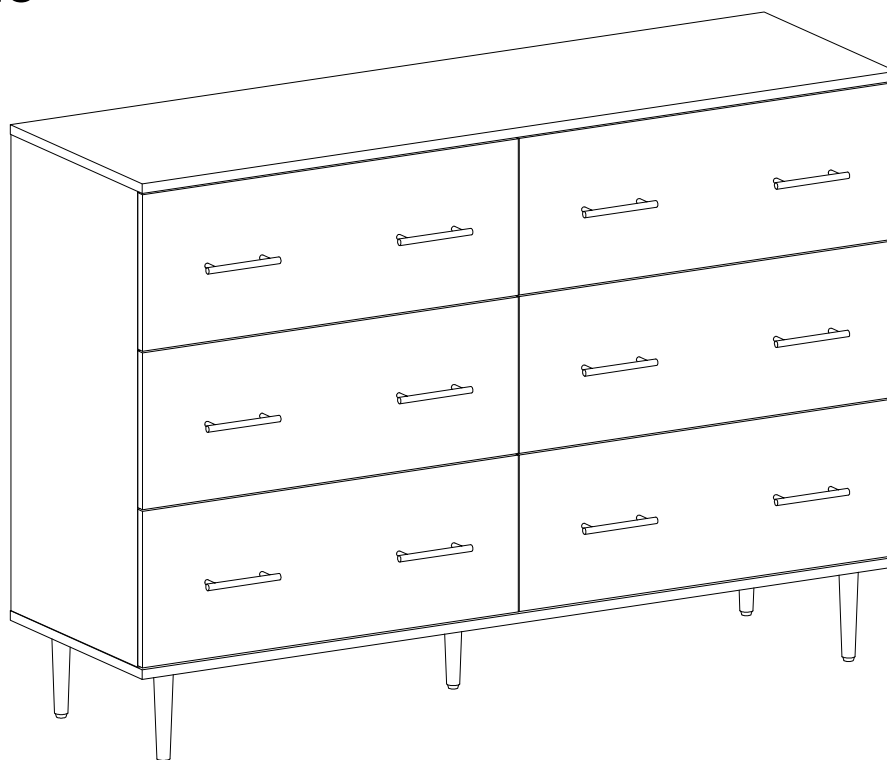
Secure flat plate (T) as shown with screw (U) as per diagram.

Step 27



Secure product to wall with screw (V).

Step 28



Final Assembly