



Ceiling Fan Installation Manual



93082652_B

P2554

Limited Lifetime Warranty

Progress Lighting fan motors are warranted to the original purchaser to be free of electrical and/or mechanical defects for so long as the original purchaser owns the fan. Pull chain switches, reverse switches, capacitors and metal finishes are warranted to be free from defects in materials or workmanship for a period of 1 year from the date of purchase. Warping of wooden or plastic blades is not covered by this warranty nor is corrosion and/or deterioration of any finishes for fans installed within ten miles of any sea coast. Extended warranties for ENERGY STAR® qualified products may apply.

Progress Lighting ceiling fans with built-in LED light sources, when properly installed and under normal conditions of use, are warranted to be free from defects in material and workmanship which cause the light sources to fail to operate in accordance with the specifications for (i) five (5) years from the date of purchase on the LED Light modules and electrical components for fans used in single family residences, and (ii) three (3) years from the date of purchase on the LED Light modules and electrical components for fans used in multi-family or commercial applications. LED bulbs supplied by Progress Lighting carry no warranty other than manufacturer's warranty. Non-LED bulbs carry no warranty.

With proof of purchase, the original purchaser may return the defective fan to the place of purchase during the first 30 days for replacement. After 30 days, the original purchaser MUST contact Progress Lighting at (864) 678-1000 for repair or replacement which shall be determined in Progress Lighting's sole discretion and shall be purchaser's sole and exclusive remedy.

Labor and Shipping Excluded. This warranty does not cover any costs or fees associated with the labor (including, but not limited to, electrician's fees) required to install, remove, or replace a fan or any fan parts.

This warranty shall not apply to any loss or damage resulting from (i) normal wear and tear or alteration, misuse, abuse or neglect, or (ii) improper installation, operation, repair or maintenance by original purchaser or a third party, including without limitation improper voltage supply or power surge, use of improper parts or accessories, unauthorized repair (made or attempted) or failure to provide maintenance to the fan.

THE FOREGOING WARRANTIES STATE PROGRESS LIGHTING'S ENTIRE WARRANTY OBLIGATION AND ORIGINAL PURCHASER'S SOLE AND EXCLUSIVE REMEDY RELATED TO SUCH PRODUCTS. PROGRESS LIGHTING IS NOT RESPONSIBLE FOR DAMAGES (INCLUDING INDIRECT, SPECIAL, INCIDENTAL OR CONSEQUENTIAL), DUE TO PRODUCT FAILURE, WHETHER ARISING OUT OF BREACH OF WARRANTY, BREACH OF CONTRACT, OR OTHERWISE. THIS WARRANTY IS GIVEN IN LIEU OF ALL OTHER WARRANTIES, WHETHER EXPRESSED OR IMPLIED, INCLUDING THOSE OF MERCHANTABILITY, FITNESS FOR A PARTICULAR PURPOSE OR NONINFRINGEMENTMENT.

Some states do not allow limitations on how long an implied warranty lasts or the exclusion or limitations of incidental or consequential damages, so the above limitations and exclusions may not apply to you. This warranty gives you specific rights and you may have other rights which vary from state to state.

Date Purchased _____

Store Purchased _____

Model No. _____

Serial No. _____

Vendor No. _____ 109226

785247214822

785247214839

UPC 785247214846



Safety Rules.....	1.
Unpacking Your Fan	2.
Installing Your Fan	3.
Installing the Light Kit.....	9.
Operating Your Transmitter	10.
Care of Your Fan	11.
Troubleshooting	12.
Specifications	13.

Table of Contents

1. To reduce the risk of electric shock, insure electricity has been turned off at the circuit breaker or fuse box before beginning.
2. All wiring must be in accordance with the National Electrical Code and local electrical codes. Electrical installation should be performed by a qualified licensed electrician.
3. **WARNING:** To reduce the risk of electrical shock and fire, do not use this fan with any solid-state fan speed control device.
4. **WARNING:** To reduce the risk of fire, electric shock, or personal injury, mount to outlet box marked "Acceptable for Fan Support of 15.9 kg (35 lbs.) Or Less" and use mounting screws provided with the outlet box. Most outlet boxes commonly used for the support of light fixtures are not acceptable for fan support and may need to be replaced. Due to the complexity of the installation of this fan, a qualified licensed electrician is strongly recommended.
9. To avoid personal injury or damage to the fan and other items, be cautious when working around or cleaning the fan.
10. Do not use water or detergents when cleaning the fan or fan blades. A dry dust cloth or lightly dampened cloth will be suitable for most cleaning.
11. After making electrical connections, spliced conductors should be turned upward and pushed carefully up into the outlet box. The wires should be spread apart with the grounded conductor and the equipment-grounding conductor on one side of the outlet box.
12. Electrical diagrams are for reference only. Light kits that are not packed with the fan must be UL Listed and marked suitable for use with the model fan you are installing. Switches must be UL General Use Switches. Refer to the Instructions packaged with the light kits

WARNING

TO REDUCE THE RISK OF FIRE, ELECTRIC SHOCK OR PERSONAL INJURY, MOUNT FAN TO OUTLET BOX MARKED ACCEPTABLE FOR FAN SUPPORT.

5. The outlet box and support structure must be securely mounted and capable of reliably supporting a minimum of 35 lbs (15.9 kg) or less. Use only UL-listed outlet boxes marked **FOR FAN SUPPORT**.
6. The fan must be mounted with a minimum of 7 ft (2.1m) clearance from the trailing edge of the blades to the floor.
7. To operate the reverse function on this fan, press the reversing button while the fan is running.
8. Avoid placing objects in the path of the blades.

WARNING

TO REDUCE THE RISK OF PERSONAL INJURY, DO NOT BEND THE BLADE ARMS (ALSO REFERRED TO AS BRACKETS) DURING ASSEMBLY OR AFTER INSTALLATION. DO NOT INSERT OBJECTS IN THE PATH OF THE BLADES.

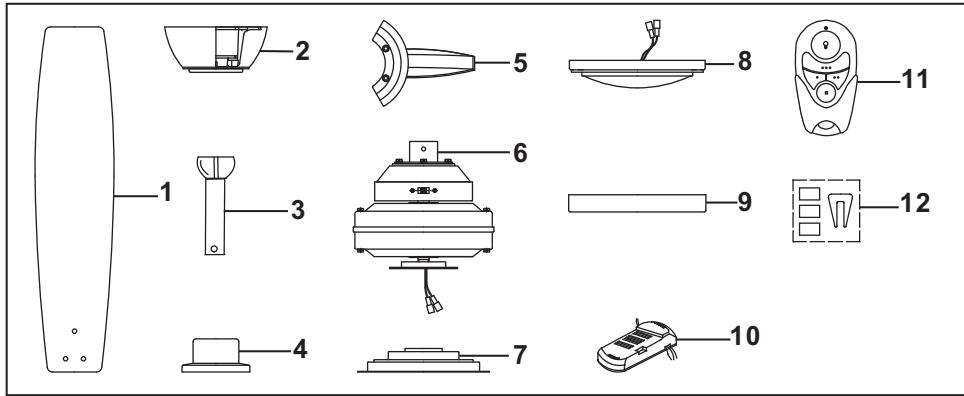
WARNING

THIS PRODUCT CONTAINS CHEMICALS KNOWN TO THE STATE OF CALIFORNIA TO CAUSE CANCER, BIRTH DEFECTS AND /OR OTHER REPRODUCTIVE HARM. THOROUGHLY WASH HANDS AFTER INSTALLING, HANDLING, CLEANING, OR OTHERWISE TOUCHING THIS PRODUCT.

NOTE

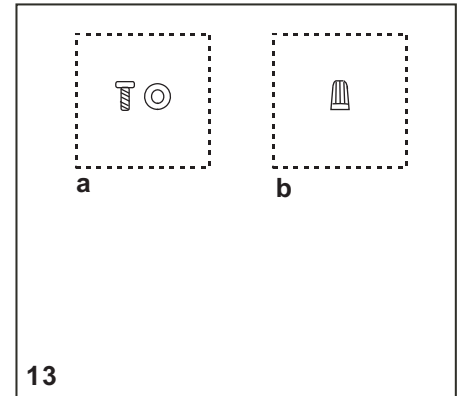
READ AND SAVE ALL INSTRUCTIONS!

1. Safety Rules



Unpack your fan and check the contents. You should have the following items:

- | | |
|------------------------------|---|
| 1. Fan blades (3) | 7. Mounting plate |
| 2. Canopy assembly | 8. LED light kit |
| 3. Ball/downrod assembly | 9. Light kit shade |
| 4. Coupling cover | 10. Receiver with 6 wire nuts |
| 5. Set of blades bracket (3) | 11. Transmitter incl. 2 mounting screws |
| 6. Fan motor assembly | 12. Balancing kit |



13. Loose parts bag containing:

- a. Blade attachment hardware**
(10 screws, 10 fiber washers)
- b. Mounting hardware**
Wire nuts (3)

Unpacking Your Fan 2.

Tools Required

Phillips screw driver, straight slot screw driver, adjustable wrench, step ladder, and wire cutters.

Mounting Options

If there isn't an existing UL listed mounting box, then read the following instructions. Disconnect the power by removing fuses or turning off circuit breakers.

Secure the outlet box directly to the building structure. Use appropriate fasteners and building materials. The outlet box and its support must be able to fully support the moving weight of the fan (at least 35 lbs). Do not use plastic outlet boxes.

WARNING

TO REDUCE THE RISK OF FIRE, ELECTRIC SHOCK, OR OTHER PERSONAL INJURY, MOUNT FAN ONLY TO AN OUTLET BOX MARKED ACCEPTABLE FOR FAN SUPPORT AND USE THE MOUNTING SCREWS PROVIDED WITH THE OUTLET BOX. OUTLET BOXES COMMONLY USED FOR THE SUPPORT OF LIGHTING FIXTURES MAY NOT BE ACCEPTABLE FOR FAN SUPPORT AND MAY NEED TO BE REPLACED. CONSULT A QUALIFIED ELECTRICIAN IF IN DOUBT.

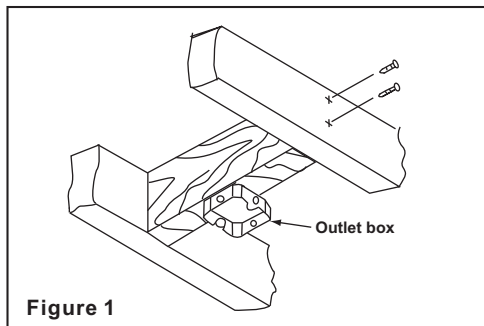


Figure 1

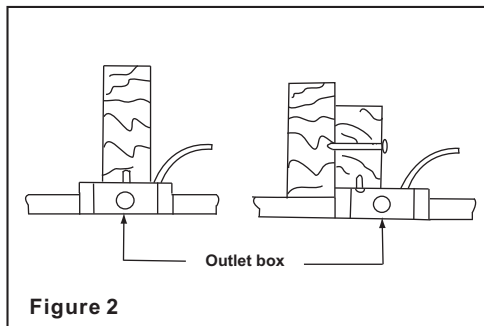


Figure 2

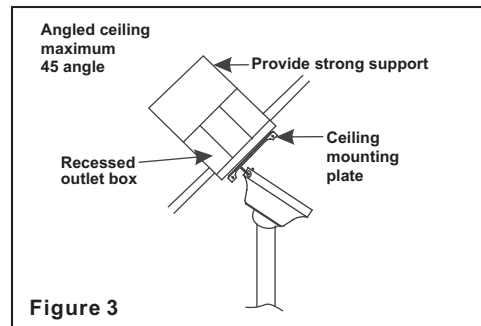


Figure 3

Note: You may need a longer downrod to maintain proper blade clearance when installing on a steep, sloped ceiling.

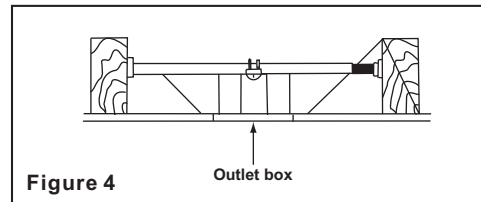


Figure 4

To hang your fan where there is an existing fixture but no ceiling joist, you may need an installation hanger bar as shown in Figure 4 (available at your Progress Lighting Retailer).

3. Installing Your Fan

Hanging the Fan

REMEMBER to turn off the power. Follow the steps below to hang your fan properly:

Step 1. Remove the decorative canopy bottom cover from the canopy by turning the cover counter clockwise.(Fig. 5)

Step 2. Remove the mounting bracket from the canopy by removing the 1 of 2 screws from the bottom of the mounting bracket and loosening the other one a half turn from the screw head. Next, turn the canopy counter clockwise to removing the mounting bracket from the canopy. (Fig. 5)

Step 3. Pass the 120-volt supply wires through the center hole in the ceiling hanger bracket as shown in Fig. 6.

Step 4. Secure the hanger bracket to the ceiling outlet box with the screws and washers provided with your outlet box.

Step 5. Remove the hanger pin, lock pin and set screws from the top of the motor assembly.

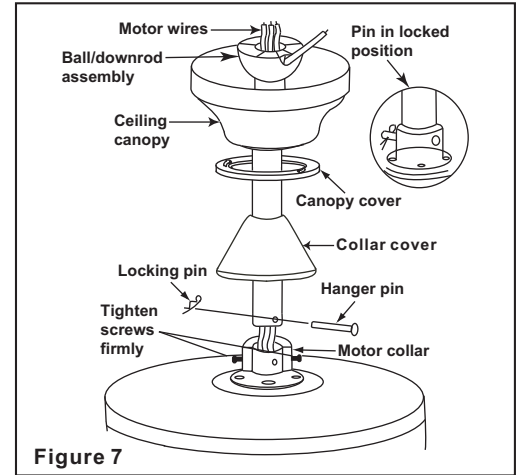
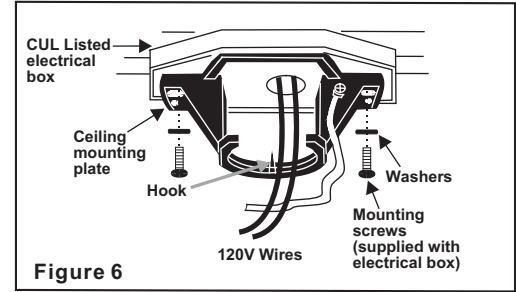
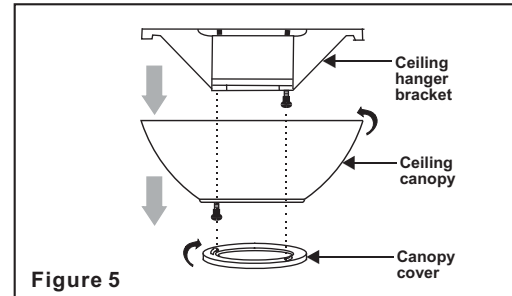
Step 6. Route wires exiting from the top of the fan motor through the collar cover, canopy cover, canopy and then through the ball / downrod. (Fig. 7)

Step 7. Align the holes at the bottom of the downrod with the holes in the collar on top of the motor housing (Fig. 7). Carefully insert the hanger pin through the holes in the collar and downrod. Be careful not to jam the pin against the wiring inside the downrod. Insert the locking pin through the hole near the end of the hanger pin until it snaps into its locked position, as noted in the circle inset of Fig. 7.

WARNING
FAILURE TO PROPERLY INSTALL
LOCKING PIN AS NOTED IN STEP 7
COULD RESULT IN FAN LOOSENING AND
POSSIBLY FALLING.

Step 8. Tighten two set screws on top of the fan motor firmly. (Figure 7)

Step 9. Place the downrod ball into the hanger bracket socket.



Make the Electric Connections

WARNING: To avoid possible electrical shock, be sure electricity is turned off at the main fuse box before wiring.

NOTE: This remote control unit is equipped with 16 code combinations to prevent possible interference from or to other remote units. The frequency switches on your receiver and transmitter have been preset at the factory. Please recheck to make sure the switches on the transmitter and the receiver are set to the same position, any combination of settings will operate the fan as long as the transmitter and receiver are set to the same position.(Figure 8)

Step 1. (Figure 9) Insert the receiver into the mounting bracket with the flat side of the receiver facing the ceiling.

Step 2. (Fig. 10) Motor to Receiver Electrical Connections: Connect the Black wire from the fan to Black wire marked "TO MOTOR L". Connect the White wire from the fan to the White wire marked "TO MOTOR N" from the receiver. Connect the Blue wire from the fan to the Blue wire marked "For Light" from the receiver. Secure wire connections with the plastic wire nuts provided.

Step 3. (Figure 10) Receiver to House Supply Wires Electrical Connections: Connect the black (hot) wire from the ceiling to the black wire marked "AC in L" from the receiver. Connect the white(neutral) wire from the ceiling to the white wire marked "AC in N" from the Receiver. Secure the wire connections with the plastic wire nuts provided.

Step 4. (Figure 10) If your outlet box has a ground wire (green or bare copper) connect it to the fan ground wires; otherwise connect the hanging bracket ground wire to the mounting bracket. Secure the wire connection with a plastic nut provided. After connecting the wires spread them apart so that the green and white wires are on one side of the outlet box and black and blue wires are on the other side. Carefully tuck the wire connections up into the outlet box.

NOTE: Fan must be installed at a maximum distance of 20 feet from the transmitting unit for proper signal transmission between the transmitting unit and the fan's receiving unit.

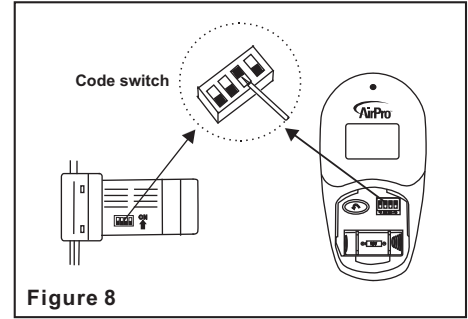


Figure 8

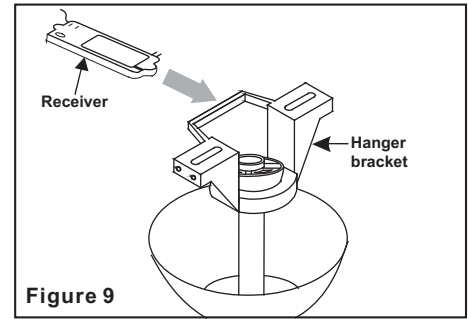


Figure 9

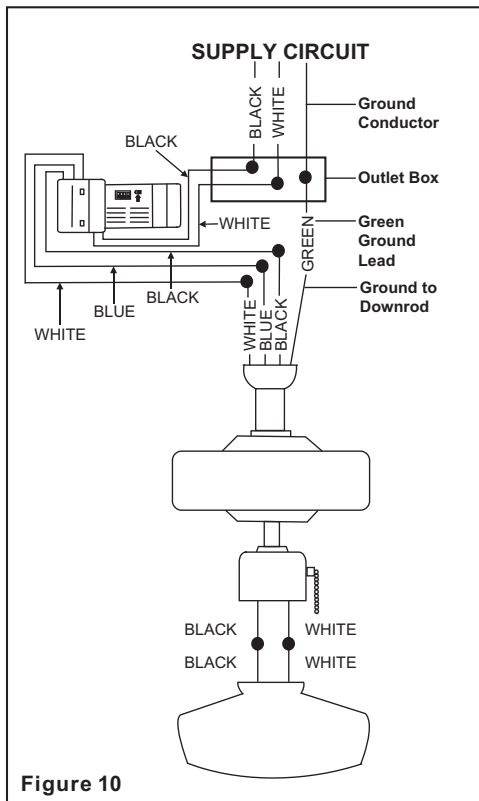


Figure 10

Finishing the Installation

Step 1. Tuck connections neatly into ceiling outlet box.

Step 2. Slide the canopy up to mounting bracket and place the key hole on the canopy over the screw on the mounting bracket, turn canopy until it locks in place at the narrow section of the key holes. (Fig. 11)

Step 3. Align the circular hole on canopy with the remaining hole on the mounting bracket, secure by tightening the two set screws. Note: Adjust the canopy screws as necessary until the canopy and canopy cover are snug.

WARNING

Make sure the notch on the hanging bracket properly sits in the groove in the hanger ball before attaching the canopy to the bracket by turning the housing until it drops into place.

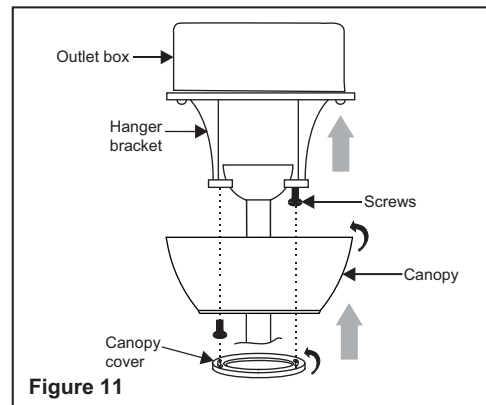


Figure 11

Attaching the Fan Blades

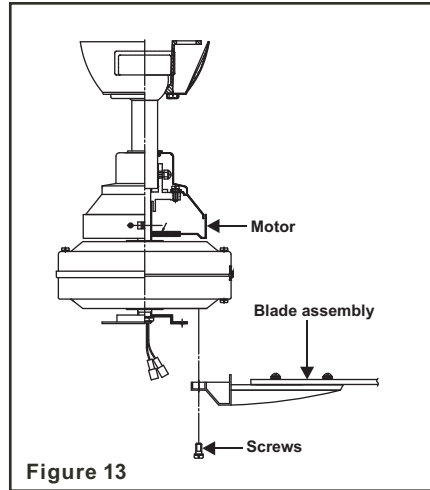
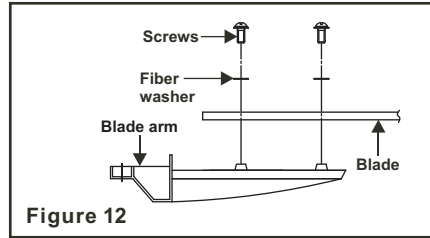
CAUTION: Remove the 3 screws from the motor support plate, discard the 3 screws and motor support plate.

NOTE: Your fan blades are reversible. Select the blade side finish which best accentuates your decor.

Step 1. Attach the blades to the blade arms using three screws and fiber washers as shown in Figure 12. Start a screw into the arm, do not tighten. Repeat for the 2 remaining screws and washers.

Step 2. Tighten each screw securely starting with the center screw. Make sure the blade is straight.

Step 3. Fasten the blade assembly to the motor using the motor screws provided. (Figure 13)



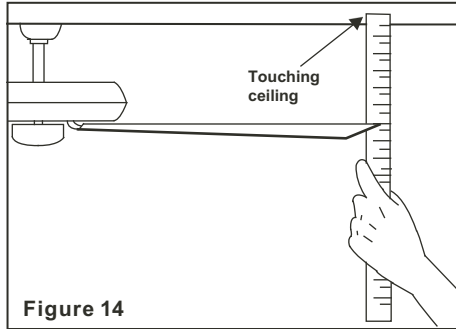
Blade Balancing

All blades are grouped by weight. Because natural woods vary in density, the fan may wobble even though the blades are weighed equally.

The following procedure should correct most fan wobbling problems. Check after each step.

1. Check that all blade and blade arm screws are secure.
2. Most fan wobbling problems are caused when blade levels are unequal. Check this level by selecting a point on the ceiling above the tip of one of the blades. Measure this distance as shown in Figure 14. Rotate the fan until the next blade is positioned for measurement. Repeat for each blade. The distance deviation should be equal within 1/8".
3. Use the enclosed Blade Balancing Kit if the blade wobble is still noticeable.
4. If the blade wobble is still noticeable, interchanging two adjacent (side by side) blades can redistribute the weight and possibly result in smoother operation.

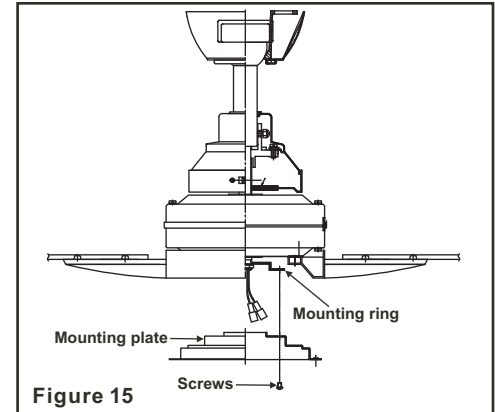
WARNING
TO REDUCE THE RISK OF PERSONAL INJURY, DO NOT BEND THE BLADE HOLDERS WHILE INSTALLING, BALANCING THE BLADES, OR CLEANING THE FAN. DO NOT INSERT FOREIGN OBJECTS BETWEEN ROTATING FAN BLADES.



Installing the Mounting Plate

Step 1. Remove 1 of the 3 screws from the mounting ring and loosen the other 2 screws. (Do not remove)

Step 2. Place the key holes on the mounting plate over the 2 screws previously loosened from the mounting ring, turn mounting plate until it locks in place at the narrow section of the key holes. Secure by tightening the 2 screws previously loosened and the one previously removed. (Fig. 15)



CAUTION: Before starting installation, disconnect the power by turning off the circuit breaker or removing the fuse at fuse box. Turning power off using the fan switch is not sufficient to prevent electric shock.

Step 1. Remove the 1 of 3 screws from the posts of the mounting plate and keep it for future use. Loosen the other 2 screws. (Do not remove) (Fig. 16)

Step 2. While holding the LED light kit under your fan, make the polarized plug connections:
- Blue to white
- Black to black

Step 3. Place the key holes in the LED light kit over the two screws previously loosened from the mounting plate. Turn the LED light kit until the LED light kit locks in place at the narrow section of the key holes. (Fig. 16)

Step 4. Securely tighten the two light kit mounting screws previously loosened and the one previously removed. (Fig. 16)

Step 5. Raise light kit shade up against the LED light kit, and secure it to fan by turning light kit shade clockwise until snug. DO NOT OVERTIGHTEN. (Fig. 16)

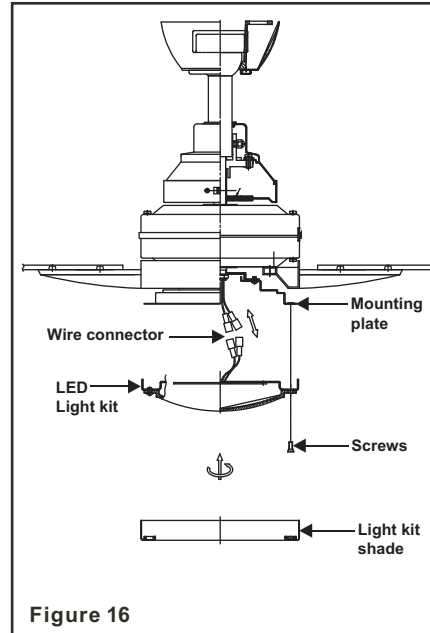


Figure 16

Installing the battery

Install 12V MN21/A23 battery (included), to prevent damage to transmitter, remove the battery if not used for long periods.

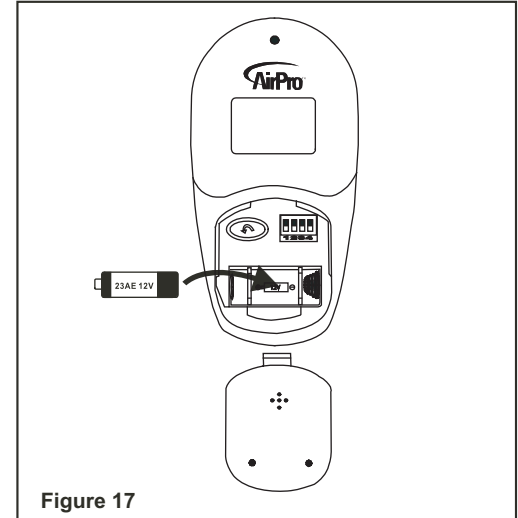


Figure 17

9. Installing the Light Kit

Restore power to ceiling fan and test for proper operation.

1. "●,●●,●●●" buttons:

These three buttons are used to set the fan speed as follows:

- = Low speed
- = Medium speed
- = High speed

2. "■" button:

This button turns the fan off.

3. The "💡" button turns the light ON or OFF and also controls the brightness setting. Press and release the button to turn the light ON or OFF. Press and hold the button to set the desired brightness. The light key has an auto-resume, it will stay at the same brightness as the last time it was turned off.

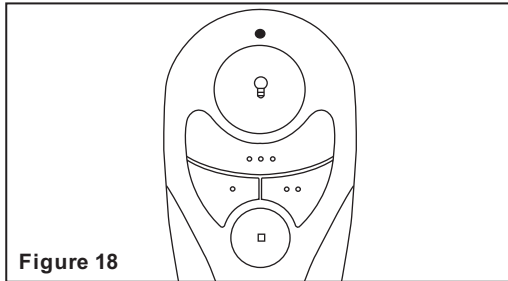


Figure 18

The Reverse switch is located on the motor housing. Slide the switch to the Left for warm weather operation. Slide the switch to the Right for cool weather operation.

NOTE: Wait for fan to stop before changing the setting of the slide switch.

Speed settings for warm or cool weather depend on factors such as the room size, ceiling height, number of fans, etc.

Warm weather - (Forward) A downward air flow creates a cooling effect as shown in Figure 19. This allows you to set your air conditioner on a higher setting without affecting your comfort.

Cool weather - (Reverse) An upward airflow moves warm air off the ceiling area as shown in Figure 20. This allows you to set your heating unit on a lower setting without affecting your comfort.

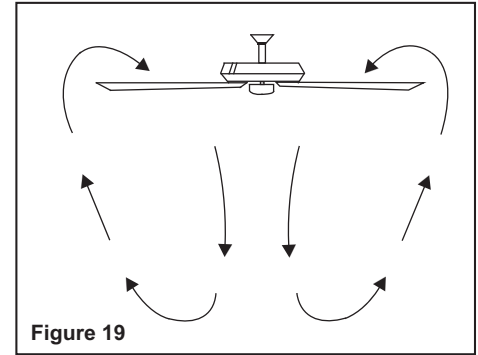


Figure 19

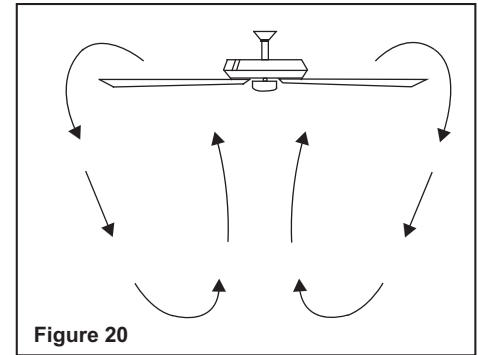


Figure 20

Operating Your Transmitter 10.

Here are some suggestions to help you maintain your fan

1. Because of the fan's natural movement, some connections may become loose. **Check the support connections, brackets, and blade attachments twice a year.** Make sure they are secure. **(It is not necessary to remove fan from ceiling.)**

2. Clean your fan periodically to help maintain its new appearance over the years. Use only a soft brush or lint-free cloth to avoid scratching the finish. The plating is sealed with a lacquer to minimize discoloration or tarnishing. Do not use water when cleaning. This could damage the motor, or the wood, or possibly cause an electrical shock.

3. You can apply a light coat of furniture polish to the wood blades for additional protection and enhanced beauty. Cover small scratches with a light application of shoe polish.

4. **There is no need to oil your fan.** The motor has permanently lubricated bearings.

IMPORTANT
MAKE SURE THE POWER IS OFF AT THE
ELECTRICAL PANEL BOX BEFORE YOU
ATTEMPT ANY REPAIRS. REFER TO THE
SECTION "MAKING ELECTRICAL
CONNECTIONS"

11. Care of Your Fan

Problem

Solution

Fan will not start.

1. Check circuit fuses or breakers.
2. Check line wire connections to the fan and switch wire connections in the switch housing.
CAUTION: Make sure main power is off.
3. Check to make sure the dip switches from the transmitter and receiver are set to the same frequency.

Fan sounds noisy.

1. Make sure all motor housing screws are snug.
2. Make sure the screws that attach the fan blade bracket to the motor hub is tight.
3. Make sure wire nut connections are not rubbing against each other or the interior wall of the switch housing.
CAUTION: Make sure main power is off.
4. Allow a 24-hour "breaking-in" period. Most noise associated with a new fan disappear during this time.
5. If using an optional light kit, make sure the screws securing the lampshade are tight. Check that light bulb is also secure.
6. Some fan motors are sensitive to signals from solid-state variable speed controls. If you have installed this type of control, choose and install another type of control.
7. Make sure the upper canopy is a short distance from the ceiling. It should not touch the ceiling.

Remote control malfunction

1. Do not connect the fan with wall mounted variable speed control (s).
2. Make sure the dip switches are set correctly.

Troubleshooting 12.

Fan Size	Speed	Volts	Amps	Watts	RPM	CFM	N.W.	G.W.	C.F.
60"	Low	120	0.337	13.3	58	2332	15.62 lbs	17.34 lbs	1.41'
	High	120	0.62	74.64	148	5902			

These are approximate measures. They do not include Amps and Wattage used by the light kit.

© 2017 Progress Lighting, Inc.
701 Millennium Blvd.,
Greenville, SC 29607
All Rights Reserved

13. Specifications

Manual de Instalación del Ventilador de Techo



Garantía limitada de por vida

Se garantiza al comprador original que los motores de los ventiladores de Progress Lighting no presentan defectos mecánicos o eléctricos por el tiempo durante el cual el comprador original sea dueño del ventilador. Los interruptores de cadena, interruptores de reversa, capacitores y acabados de metal cuentan con garantía libre de defectos de materiales o mano de obra por 1 año a partir de la fecha de compra. La deformación de las aspas de plástico o madera no está cubierta por esta garantía, así como tampoco la corrosión y/o el deterioro de los acabados en el caso de los ventiladores instalados dentro de un radio de 10 millas (16 km) de la costa del mar. Pueden corresponder garantías extendidas para los productos que cumplen con los requisitos de ENERGY STAR®.

Los ventiladores de techo Progress Lighting con fuentes de iluminación LED incorporadas, cuando se los instala debidamente y bajo condiciones de uso normales, están garantizados como libres de defectos de materiales y mano de obra que hacen que las fuentes de iluminación dejen de funcionar de acuerdo con las especificaciones durante (i) cinco (5) años a partir de la fecha de compra para los módulos de luces LED y los componentes eléctricos para los ventiladores utilizados en residencias unifamiliares, y (ii) tres (3) años a partir de la fecha de compra para los módulos de luces LED y los componentes eléctricos para los ventiladores utilizados en aplicaciones comerciales o multifamiliares. Los focos LED suministrados por Progress Lighting no cuentan con garantía más allá de la garantía del fabricante. Los focos que no son LED no cuentan con garantía.

Con comprobante de compra, el comprador original podrá devolver el ventilador defectuoso al lugar de compra, durante los primeros 30 días, para su reemplazo. Pasados los 30 días, el comprador original DEBE contactarse con Progress Lighting al (864) 678-1000 para la reparación o el reemplazo, que se determinará a criterio exclusivo de Progress Lighting y será la compensación única y exclusiva del comprador.

Se excluye la mano de obra y el envío. Esta garantía no cubre los costos o cargos asociados con la mano de obra (incluidos, entre otros, los honorarios del electricista) necesaria para instalar, quitar o reemplazar el ventilador o cualquiera de sus partes.

Esta garantía no se aplicará a ninguna pérdida o daño que resulte del (i) uso y desgaste normales o de una alteración, uso indebido o descuido, o de la (ii) instalación, operación, reparación o mantenimiento inadecuados por parte del comprador original o de un tercero, incluidos, entre otros, suministro de voltaje inadecuado o sobrecarga eléctrica, uso de piezas o accesorios inadecuados, reparación no autorizada (realizada o que se intentó realizar) o falta de mantenimiento al ventilador.

LAS GARANTÍAS PRECEDENTES ESTABLECEN LA OBLIGACIÓN DE GARANTÍA COMPLETA DE PROGRESS LIGHTING Y LA COMPENSACIÓN ÚNICA Y EXCLUSIVA DEL COMPRADOR ORIGINAL EN RELACIÓN CON DICHS PRODUCTOS. PROGRESS LIGHTING NO ASUME RESPONSABILIDAD POR DAÑOS (INCLUIDOS INDIRECTOS, ESPECIALES, INCIDENTALES O EMERGENTES), DEBIDO A FALLAS DEL PRODUCTO, YA SEA QUE SURJAN DEL INCUMPLIMIENTO DE LA GARANTÍA, DEL INCUMPLIMIENTO CONTRACTUAL O DE OTRO MODO. ESTA GARANTÍA REEMPLAZA CUALQUIER OTRA GARANTÍA, YA SEA EXPRESA O IMPLÍCITA, INCLUSO AQUELLAS DE COMERCIABILIDAD, IDONEIDAD PARA UN FIN EN PARTICULAR O NO INCUMPLIMIENTO.

Algunos estados no permiten limitaciones sobre la duración de una garantía implícita o la exclusión de limitaciones de daños incidentales o emergentes, de modo que las limitaciones y exclusiones anteriores tal vez no se apliquen a su caso. La presente garantía le otorga derechos específicos y es posible que usted tenga otros derechos que varían según el estado.

Fecha de compra _____

Lugar de compra _____

N de modelo. _____

N de serie _____

Numero de vendedor 109226

785247214822

785247214839

UPC 785247214846



Normas de seguridad	1.
Cómo desembalar el ventilador	2.
Cómo instalar el ventilador	3.
Instalación del kit de luz	9.
Operando su transmisor	10.
Cómo cuidar del ventilador	11.
Resolución de problemas	12.
Especificaciones	13.

Tabla de Contenido

1. Para reducir el riesgo de electrocución, asegurarse de que la electricidad se ha desactivado en el cortacircuitos o caja de fusibles antes de comenzar.
2. Todo cableado debe realizarse conforme al Código Eléctrico Nacional y los códigos eléctricos locales. La instalación eléctrica debe ser realizada por un electricista registrado calificado.
3. **ADVERTENCIA:** Para reducir el riesgo de una electrocución e incendio, no usar este ventilador con ningún dispositivo de control de la velocidad del ventilador.
4. **ADVERTENCIA:** para reducir el riesgo de incendio, descarga eléctrica o lesión personal, monte a una caja de distribución marcada como "Aceptable para soporte de un ventilador de 15.9kg (35 lbs.) de peso o menos" y monte con los tornillos proporcionados con la caja de distribución. La mayoría de las cajas de conexión utilizadas para soportar artefactos de iluminación, no son aptas para colgar un ventilador y podría ser necesario cambiarlas. Debido a la complejidad de la instalación de este ventilador, se recomienda encarecidamente que la realice un electricista licenciado cualificado.
9. Para evitar lesiones personales o daños al ventilador y otros artículos, tener cuidado al trabajar cerca del ventilador o al limpiarlo.
10. No usar agua o detergentes al limpiar el ventilador o las aspas del ventilador. Para la mayoría de los propósitos de limpieza, un paño seco o ligeramente humedecido será apropiado.
11. Después de realizar las conexiones eléctricas, los conductores empalmados se deben voltear hacia arriba y se deben empujar con cuidado hacia dentro de la caja de distribución. Los cables deben estar separados, con el conductor a tierra y el conductor a tierra del equipo en un lado de la caja de distribución.
12. Los diagramas eléctricos son para referencia únicamente. Los juegos de iluminación que no estén embalados con el ventilador deben estar listados por U.L. y marcados como apropiados para ser usados con el modelo de ventilador que se está instalando. Los interruptores deberán ser Interruptores para uso general U.L. Réferase a las instrucciones embaladas con los juegos de iluminación e interruptores para obtener información sobre el montaje adecuado.

ADVERTENCIA

PARA REDUCIR EL RIESGO DE INCENDIO ELECTROCUCIÓN O LESIONES PERSONALES. MONTAR EL VENTILADOR EN UNA CAJA DE DISTRIBUCIÓN MARCADA COMO ACEPTABLE PARA SOPORTE DE VENTILADORES.

5. La caja de distribución y la estructura de soporte deben estar montados de manera segura y deben ser capaces de soportar, de manera confiable, un mínimo de 35 libras (15,9 kilogramos). Usar solamente cajas de distribución listadas por UL, marcadas "**PARA SOPORTE DE VENTILADORES**".
6. EL ventilador debe estar montado con un mínimo de 7 pies (2.1m) de espacio libre desde el borde posterior de las aspas hasta el piso.
7. Invierta el ventilador con el motor encendido a cualquier velocidad.
8. Evitar colocar objetos que interfiera el giro de las aspas.

ADVERTENCIA

PARA REDUCIR EL RIESGO DE LESIONES PERSONALES, NO DOBLAR LOS SOPORTES DE LAS ASPAS (TAMBIÉN LLAMADOS "REBORDES" DURANTE EL MONTAJE O DESPUÉS DE LA INSTALACIÓN NO INSERTAR OBJETOS EN LA TRAYECTORIA DE LAS ASPAS.

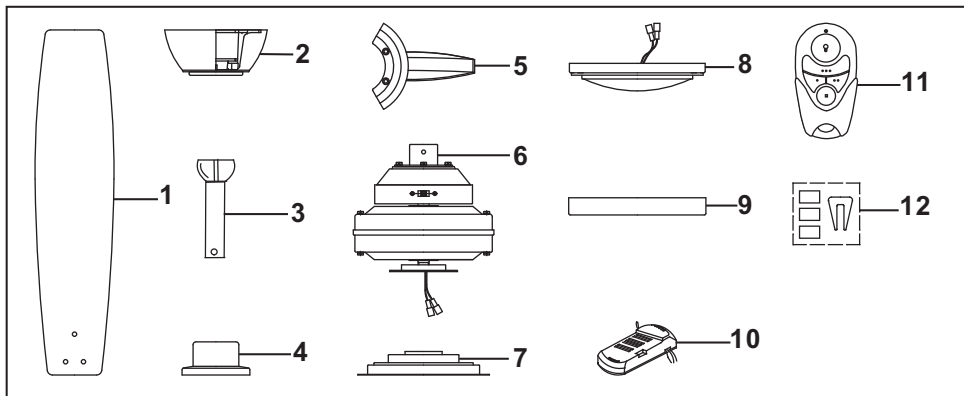
ADVERTENCIA

ESTE PRODUCTO CONTIENE SUSTANCIAS QUÍMICAS QUE SEGÚN EL ESTADO DE CALIFORNIA CAUSA CÁNCER, DEFECTOS DE NACIMIENTO Y (O) DAÑO AL SISTEMA REPRODUCTOR. LAVARSE BIEN LAS MANOS DESPUÉS DE INSTALAR, MANIPULAR, LIMPIAR O TOCAR DE MANERA ALGUNA ESTE PRODUCTO.

NOTA

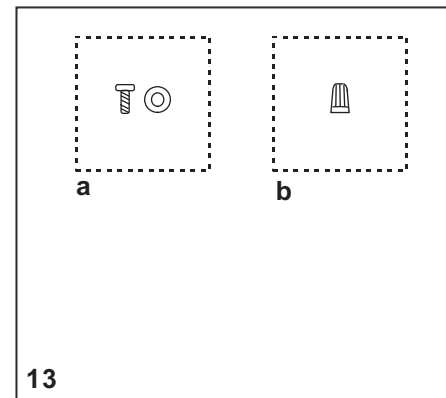
!LEER Y GUARDAR TODAS LAS INSTRUCCIONES!

1. Normas de seguridad



Desembalar el ventilador y revisar el contenido. Debe tener los siguientes elementos:

- | | |
|---|---|
| 1. Juego de aspas (3) | 7. Plato de montaje |
| 2. Escudete superior | 8. Kit de luces LED |
| 3. Conjunto de bola/tubo de suspensión | 9. Pantalla de luz |
| 4. Cubridor del motor | 10. Receptor + 6 tuercas de cable |
| 5. Juego de soporte de fijación a aspas (3) | 11. Transmisor + soporte + 2 tornillos de montaje |
| 6. Conjunto de motor del ventilador | 12. Juego de balanceo |



13

13. Dos bolsas de piezas pequeñas:

- a. Piezas de fijación de las aspas**
(10 Tornillos, 10 Arandelas de fibra)
- b. Piezas demontaje**
(3 conectores plásticos para cables eléctricos).

Cómo desembalar el ventilador 2.

Herramienta necesarias

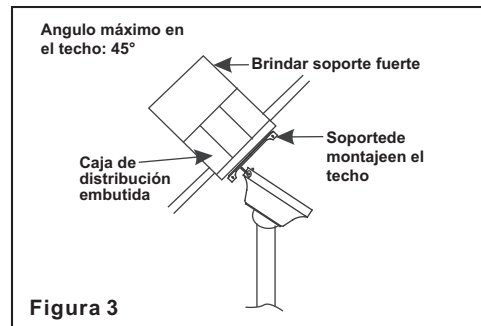
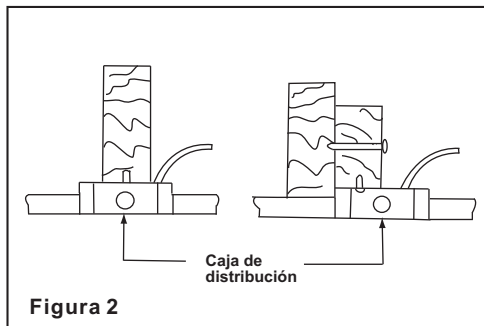
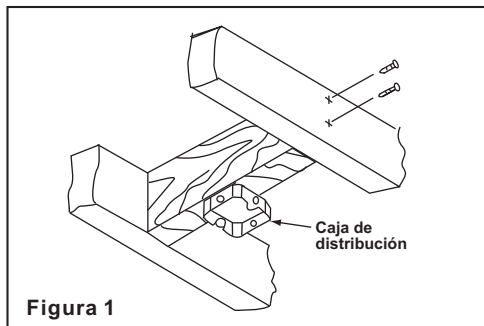
Destornillador Phillips, destornillador normal, llave de tuercas ajustable, escalera de tijera, y cortadoras de alambre.

Opciones de instalación

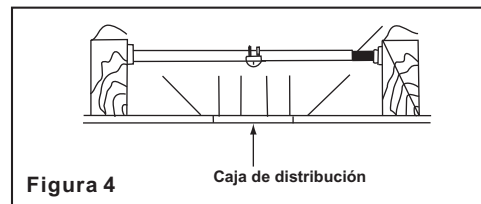
Si no hay una caja con UL registración de montaje existente, sirvase leer las siguientes instrucciones. Desconectar el suministro de electricidad removiendo los fusibles o desactivando los cortacircuitos.

Asegurar la caja de distribución directamente a la estructura del edificio. Usar los sujetadores y materiales de construcción apropiados. La caja de distribución y su soporte deben ser capaces de soportar completamente el peso en movimiento del ventilador (al menos 35 libras o 15.9 kgs.) No usar cajas de distribución plásticas.

ADVERTENCIA
PARA REDUCIR EL RIESGO DE INCENDIO, ELECTROCUCIÓN O DAÑO PERSONAL, INSTALAR EL VENTILADOR A UNA CAJA DE DISTRIBUCION MARCADA "ACEPTADA PARA SOPORTAR VENTILADOR" Y USAR LOS TORNILLOS DE MONTAJE SUMINISTRADOS CON LA CAJA DE DISTRIBUCION



Nota: Ud. Puede necesitar una barra de extension para mantener la distancia apropiada de las aspas cuando la instalacion se efectúe en un techo inclinado.



Para colgar su ventilador donde ya existe una instalacion pero no una viga de techo, es posible que se necesite una instalacion de barra de suspencion como se muestra la Figura 4 (disponible en su distribuidor Progress Lighting).

3. Cómo instalar el ventilador

Colocación del ventilador

RECUERDE desconectar la alimentación. Siga estos pasos para colocar correctamente el ventilador:

Paso 1. Retire la tapa embellecedora del fondo del cobertor girando la tapa en sentido de las agujas del reloj. (Fig. 5)

Paso 2. Quite el soporte de montaje de la cubierta quitando 1 de los 2 tornillos de la parte inferior del soporte de montaje y aflojando el otro media vuelta desde la cabeza del tornillo. A continuación, gire la soporte de montaje en sentido contrahorario para quitar la cubierta. (Fig. 5)

Paso 3. Pase los hilos de 120 voltios a través del agujero central del soporte de suspensión del techo tal y cómo se muestra en la. (Fig. 6)

Paso 4. Fije el soporte de suspensión a la caja del techo con los tornillos y arandelas suministradas en la caja.

Paso 5. Retire el pasador de suspensión, el pasador de bloqueo y el conjunto de tornillos y de la parte superior del ensamblaje del motor.

Paso 6. Guíe los cables que salen de la parte superior del motor del ventilador a través de la voluta decorativa, tapa de la cubierta, cubierta y luego a través de la bola/varilla. (Fig. 7)

Paso 7. Alinee los agujeros de la parte inferior de la barra con los agujeros del cuello en la parte superior de la caja del motor (Fig. 7) Introduzca con cuidado el pasador de suspensión a través de los agujeros del cuello y de la barra. Tenga cuidado de que el pasador no se atasque con los hilos de dentro de la barra. Introduzca el pasador de bloqueo a través del agujero cercano al extremo del pasador de suspensión hasta que quede en la posición de bloqueo, tal y cómo se especifica en el círculo de la Fig. 7.

ADVERTENCIA
SI NO INSTALA EL PASADOR
CORRECTAMENTE TAL Y COMO SE
ESPECIFICA EN EL PASO 7, EL
VENTILADOR PODRIA AFLOJARSE E
INCLUSO CAER.

Paso 8. Apriete bien los dos tornillos de la parte superior del motor. (Fig. 7)

Paso 9. Coloque la bola de la barra en la ranura del soporte de suspensión.

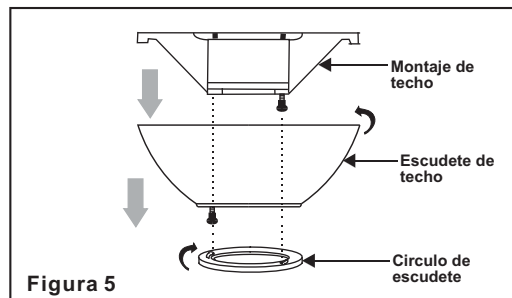


Figura 5

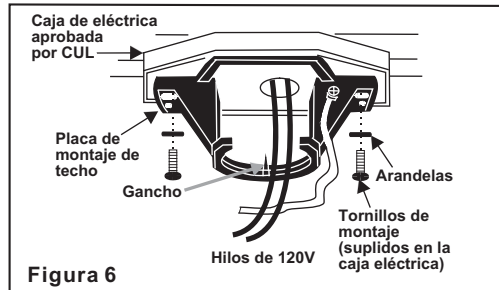


Figura 6

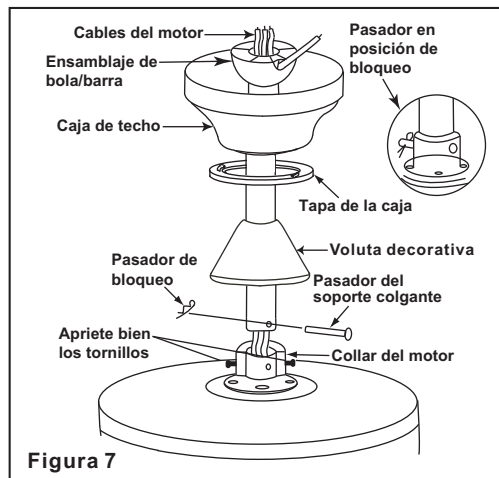


Figura 7

Realizar las Conexiones Eléctricas

CUIDADO: Para evitar la posibilidad de un choque eléctrico, asegúrese de apagar la corriente eléctrica desde el circuito central.

NOTA: (Fig. 8) Esta unidad de control remoto está equipada con 16 combinaciones de frecuencias diferentes para prevenir posible interferencia con otras unidades similares. Los interruptores de frecuencia en el receptor y transmisor de su ventilador an sido programados por la fábrica. Por favor asegúrese que los interruptores de las dos unidades estén puestos en la misma secuencia, cualquier combinacion de claves operara el ventilador siempre y cuando los interruptores de las dos unidades estén en la misma secuencia.

Paso 1. (Fig. 9) Instale el receptor en la abrazadera de montaje, el lado plano debe quedar hacia arriba.

Paso 2. (Fig. 10) Conexiones del Motor al Receptor: Conecte el alambre Negro del ventilador al alambre Negro marcado To Motor L del receptor. Conecte el alambre Blanco del ventilador al alambre Blanco marcado To Motor N del receptor. Conecte el alambre Azul del ventilador al alambre Azul marcado "For lámpara de fondo" del receptor. Conecte el alambre Anaranjado del ventilador al alambre Anaranjado marcado "For Luce arriba" del receptor.

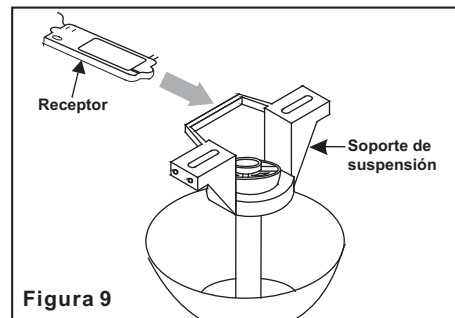
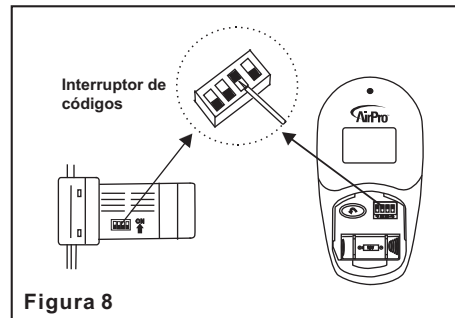
5.

Asegure las conexiones con los conectores de plástico proveídos.

Paso 3. (Fig. 10) Conexiones del receptor a los alambres de alimentación: Conecte el alambre Negro (corriente) de la caja de distribución al alambre Negro marcado AC in L del receptor. Conecte el alambre Blanco (Neutral) de la caja de salida al alambre blanco marcado AC in N del receptor. Asegure las conexiones con los conectores de plástico proveídos.

Paso 4. (Fig. 10) Si la Caja de salida tiene un alambre a tierra (verde o cobre) conéctelo a los alambres verdes de tierra de las abrazaderas de montar y colgar; y si no, conecte los alambres verde de tierra de las abrazaderas de montar y colgar solos. Asegure las conexión con un conector los alambres, sepárelos para que los alambres verdes y blancos queden a un lado y los alambres negros y blancos del otro lado.

NOTA: La distancia máxima para una recepción apropiada entre el receptor del ventilador y el transmisor son 20 pies. Asegúrese que su ventilador sea instalado dentro de esta distancia.



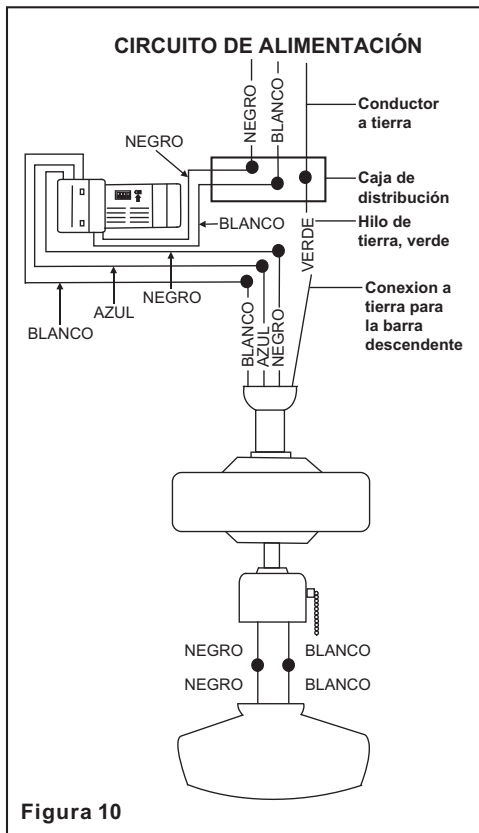


Figura 10

Terminando la Instalación

Paso 1. Meta las conexiones en forma ordenada adentro de la toma de corriente.

Paso 2. Deslice la cubierta hacia arriba hacia el soporte de montaje y coloque el agujero de posición de la cubierta sobre el tornillo del soporte de montaje, gire la cubierta hasta que quede encajada en su lugar en la sección estrecha de los agujeros de posición. (Fig. 11)

Paso 3. Alinee el agujero circular de la cubierta con el agujero restante en el soporte de montaje, fíjelo apretando los dos juegos de tornillos. Nota: Ajuste los tornillos de la cubierta hasta que la cubierta y la tapa de la cubierta queden ajustadas.

ADVERTENCIA

ASEGURARSE DE QUE LA LENGUETA LOCALIZADA EN LA PARTE INFERIOR DEL SOPORTE DE SUSPENSIÓN ESTÉ ASENTADA CORRECTAMENTE EN LA RANURA DE BOLA DE SUSPENSIÓN ANTES DE FIJAR EL ESCUDETE AL SOPORTE. EL NO AJUSTAR CORRECTAMENTE LA LENGUETA EN LA RANURA PODRÍA CAUSAR DAÑO AL CABLEADO ELÉCTRICO.

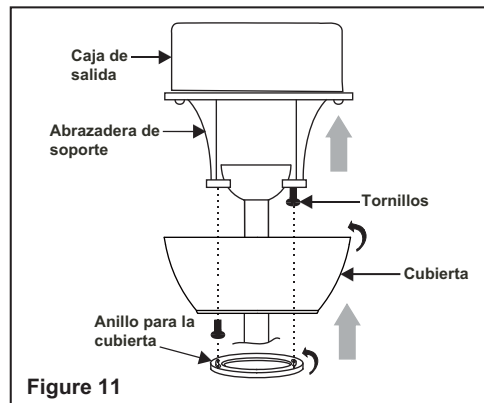


Figure 11

Instalacion de las Aspas

PRECAUCIÓN: Quite los 3 montajes de goma del paquete y retírelos antes de la instalación.

NOTA: Las aspas del ventilador son reversibles. Seleccionar el acabado del lado del aspa que mejor acentúe su decoración.

Paso 1. Se pegan las palas a los soportes usando los tornillos y las arandelas de goma provistos como indicado en Fig 12. Inserta un tornillo en el soporte sin apretarlo. Repite el paso por los otros 2 tornillos y arandelas.

Paso 2. Apreta todos los tornillos fíamente empezando con el tornillo cortador. Asegúrate de que la pala esté recta.

Paso 3. Alinie los agujeros de la abrazadera con los del motor y asegurela con los tornillos suministrados. Apriete bien los tornillos. (Figura 13).

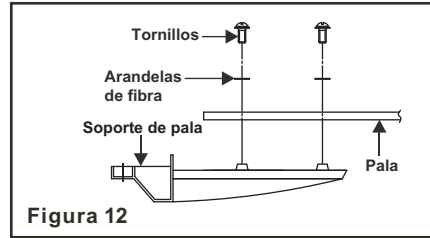


Figura 12

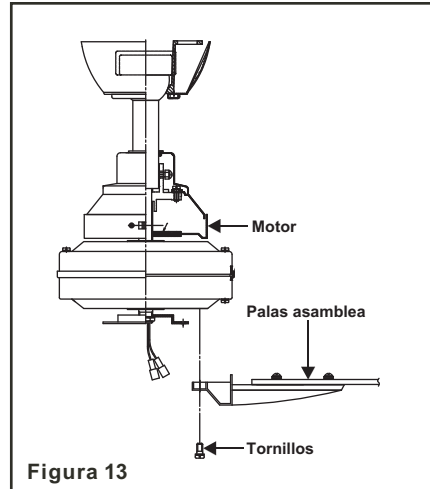


Figura 13

Balaneo de las Aspas

Todas las aspas están agrupadas por peso. Debido a que la desidad de las maderas naturales varía, el ventilador podría oscilar aún cuando el peso de las aspas esté equilibrado.

El siguiente proceimiento deberia mayor parte de la oscilación del ventilador. Corregir la Verificar después de cada paso.

1. Verificar que todos los tornillos de aspas y de soportes de aspas estén seguros.
2. La mayoría de los problemas de oscilación se originan cuando los niveles de las aspas son desiguales. Revisar esté nivel por medio de seleccionar un punto del techo por encima de la punta de una de las aspas. Medir esta distancia como se muestra en la Figura 14. Rotar el ventilador hasta que la siguiente aspa esté ubicada para medición. procedimiento para cada aspa. Las medi repetir el das hacer fucional deben mantenerse dentro de 1/8 pulgadas (3mm).
3. Usar el juego de balaneo de aspas incluido si aún se puede notar la oscilación.
4. Si la oscilación de las aspas todavía se puede notar, el intercambio de dos aspas adyacentes (lado a lado) puede redistribuir el peso y es posible que resulte en un funcionamiento más uniforme.

ADVERTENCIA
PARA REDUIR RIESGO DE LESIONES PERSONALES. NO DOBLAR LOS SUJETADORES DE ASPAS MIENTRAS SE REALIZA LA INSTALACIÓN. EL BALANCEO DE LAS ASPAS O SU LIMPIEZA. NO INSERTAR OBJETOS EXTRANOS ENTRE LAS ASPAS DEL VENTILADOR EN ROTACIÓN.

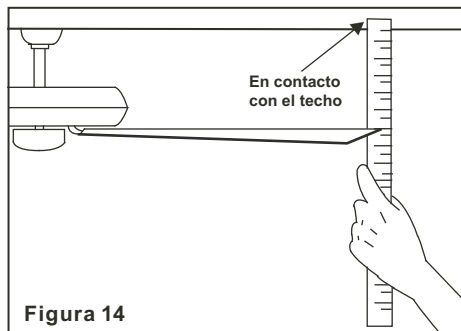


Figura 14

Instalación de la Placa de Montaje

Paso 1. Quite 1 de los 3 tornillos del anillo de montaje y afloje los otros 2 tornillos. (No los quite)

Paso 2. Coloque los agujeros del plato de montaje en los 2 tornillos previamente aflojados del anillo de montaje, gire el plato de montaje hasta que quede fijo en su lugar en la parte estrecha de los agujeros. Asegúrela apretando los 2 tornillos aflojados y también el que quitó anteriormente. (Fig. 15)

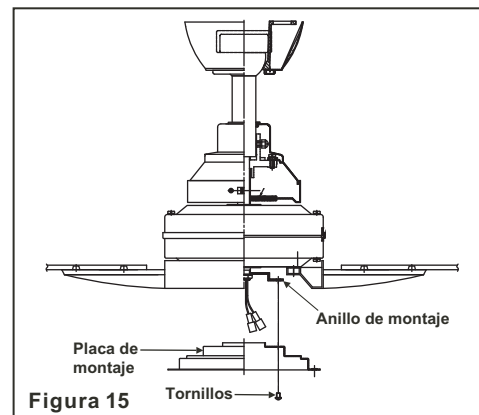


Figura 15

PRECAUCIÓN: Antes de comenzar con la instalación, desconecte la alimentación apagando el circuito del automático o quitando el fusible de la caja de fusibles. Para evitar descargas eléctricas, no basta con apagar la alimentación utilizando el interruptor del ventilador.

Paso 1. Quite 1 de los 3 tornillos de los postes de la placa de montaje y afloje los otros 2 tornillos. (No los quite) (Fig. 16)

Paso 2. Mientras sostiene el juego de lámparas LED debajo del ventilador, realice las conexiones del enchufe polarizadas:
- Azul con blanco
- Negro con Negro

Paso 3. Coloca los orificios tipo ojo de cerradura en el kit de luces LED sobre los 2 tornillos de montaje del kit de luces previamente aflojados de la placa de montaje, gira la kit de luces LED hasta que caiga en su lugar en la parte estrecha de los orificios tipo ojo de cerradura. (Fig. 16)

Paso 4. Asegúrala apretando los 2 tornillos de montaje del kit de luces previamente aflojados y el que se quitó previamente. (Fig. 16)

Paso 5. Instale la pantallas de vidrio asegúrelo al kit de luces LED, y asegurar la pantallas de vidrio a el ventilador girandolo en direccion de la pantallas de vidrio manecillas del reloj. No lo sobre apriete. (Fig. 16)

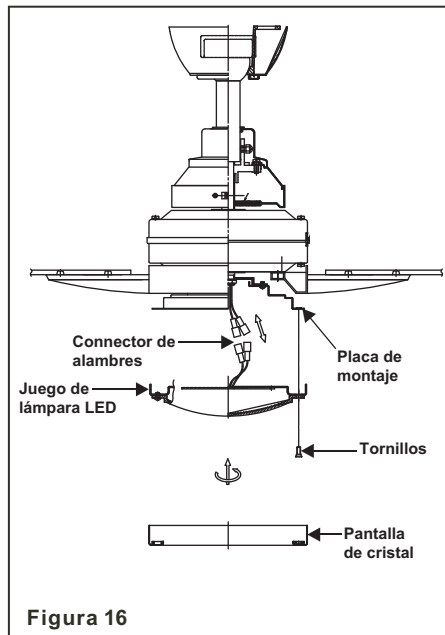


Figura 16

Instalación de la Bateria

Coloque 12V MN21/A23 batería (incluidas). Para evitar estropeos del transmisor, exteiga la batería cuando esté no se usa por periodo relativamente largo.

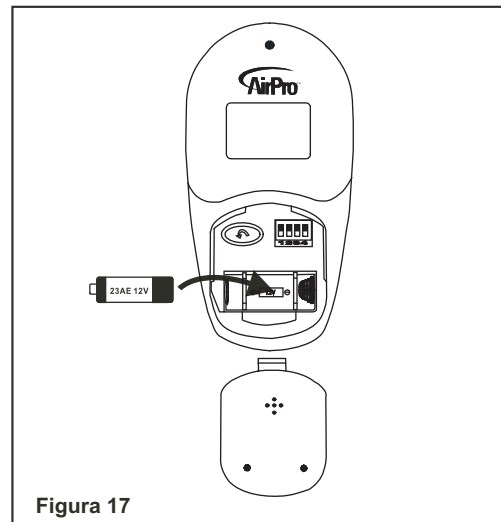


Figura 17

9. Instalación del Kit de Luz

Conecte la electricidad a el ventilador y confirme que opera debidamente.

1. Los botones ●, ●●, ●●●: Estos tres botones son usados para seleccionar las velocidades del ventilador de la manera siguiente:

- = Velocidad Alta
- = Velocidad Mediana
- = Velocidad Baja

2. Boton "■": Esté boton apaga el ventilador.
This button turns the fan off.

3. El boton "💡" es para prender y apagar la luz, tambien se usa para controlar la intensidad de la luz. Apriete y sostenga el boton hasta obtener la intensidad de luz deseada. La luz cambiara continuamente entre intensidad y oscuridad mientras que el boton esté presionado. El boton de la luz está equipado para resumir con la misma intensidad de luz que se uso la última ves.

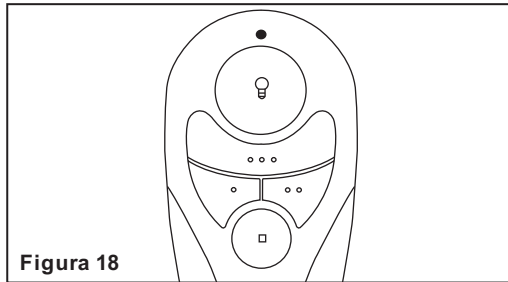


Figura 18

El Interruptor de Reversa está ubicado en la superficie de la carcasa del motor. Desliza el interruptor hacia a la izquierda para funcionamiento en clima cálido. Desliza el interruptor hacia a la derecha para funcionamiento en clima fresco.

NOTA: Espere a que el ventilador pare antes de cambiar la posición del interruptor deslizante.

Los ajustérs de velocidad para clima caliente o frío dependen de factores como el tamaño del cuarto, la altura del techo, cantidad de ventiladores, etc.

Clima cálido - (Hacia adelante) Un movimiento descendente de aire crea un efecto de enfriamiento cómo se musetra en la Figura 19. Esto permite fijar el aire acondicionado en un valor más alto sin afectar la comodidad del usuario.

Clima frío - (Retocesos) Un flujo de aire ascendente mueve el aire caliente alejándolo del área del techo cómo se muestra en la Figura 20. Esto permite fijar la unidad de calefacción en un valor más bajo sin afectar la comodidad usuario.

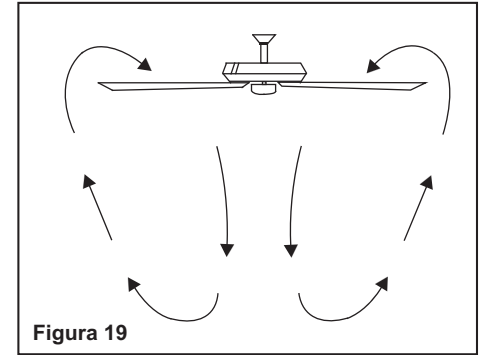


Figura 19

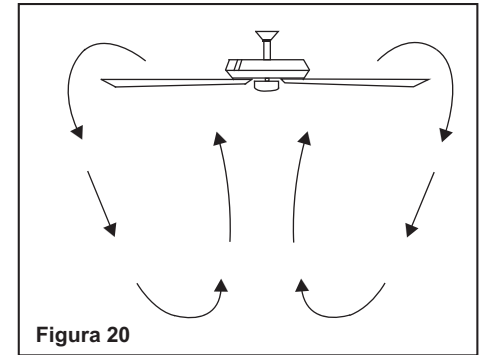


Figura 20

Operando su transmisor 10.

He aquí algunas sugerencias para ayudarle el mantenimiento del ventilador.

1. Debido al movimiento natural del ventilador, algunas conexiones se podrían aflojar. Examinar las conexiones del soporte, soportes, y accesorios de las aspas dos veces al año. Asegurarse de que estén seguros. (No es necesario retirar el ventilador del techo).

2. Limpiar el ventilador periódicamente para ayudar a mantener su apariencia de nuevo con el transcurso del tiempo. Usar solamente un cepillo suave o paño sin hilas para evitar rayar el acabado. El recubrimiento metálico se sella con una laca para minimizar la decoloración o manchado. No usar agua al limpiarlo, madera, o posiblemente causar choque eléctrico.

3. Se puede aplicar una capa ligera de pulidor para muebles a las aspas de madera para brindar protección adicional y realzar su belleza. Cubrir los rayones pequeños con una ligera aplicación de betún para calzado.

4. No hay necesidad de aceitar el ventilador. El motor tiene cojinetes permanentemente lubricados.

ADVERTENCIA

ASEGURARSE DE QUE LA ELECTRICIDAD ESTÉ DESACTIVADA EN EL TABLERO DE DISTRIBUCIÓN ELÉCTRICA ANTES DE INTENTAR CUALQUIER REPARACIÓN REFERIRSE A LA SECCIÓN "CÓMO EFECTUAR CONEXIONES ELÉCTRICAS"

11. Cómo cuidar del ventilador

Problema

Solución

El ventilador no arranca.

1. Revisar los fusibles o interruptores de circuitos.
2. Verificar las conexiones de cables de línea al ventilador y conexiones de cable del interruptor.
PRECAUCIÓN: Asegurarse de que la fuente principal de electricidad esté desactivada.
3. Check to make sure the dip switches from the transmitter and receiver are set to the same frequency.

El ventilador hace mucho ruido.

1. Asegurarse de que todos los tornillos de la cubierta del motor estén ajustados.
2. Asegurarse de que los tornillos que sujetan el soporte de aspas del ventilador al eje del motor estén apretados.
3. Asegurarse de que las conexiones de tuercas para cable no estén rozando unas contra otras o contra la pared interior de la cubierta protectora del interruptor.
PRECAUCIÓN: Asegurarse de que la fuente principal de electricidad esté desactivada.
4. Permitir un período de "desgaste" de 24 horas. La mayoría de los ruidos asociados con un ventilador nuevo desaparecen durante este tiempo.
5. Si se está usando un juego opcional de iluminación para el ventilador de techo, asegurarse de que los tornillos que aseguran el pantalla de luz estén apretados. Asimismo, verificar que la bombilla esté segura.
6. Algunos motores son sensibles a las señales provenientes de controles de velocidad variable de estado sólido. Si tiene instalado este tipo de control, elegir e instalar otro tipo.
7. Asegurarse de que el escudete superior esté a una corta distancia del techo. No debe hacer contacto con el techo.

Fallo del mando a distancia

1. No conecte el ventilador con un control en la pared de velocidad variable (s)
2. Compruebe que el interruptor oculto esté configurado correctamente.

Resolución de problemas 12.

Tamaño del Ventilador	Velocidad	Voltios	Amperios	Vatios	RPM	CFM	N.W.	G.W.	C.F.
60" (152 cm)	Baja	120	0.337	13.3	58	2332	15.62 lbs	17.34 lbs	1.41'
	Alta	120	0.62	74.64	148	5902			

Estas son mediciones aproximadas. No incluyen los Amperios y vatios usado por el juego de iluminación.

© 2017 Progress Lighting, Inc.
701 Millennium Blvd.,
Greenville, SC 29607
All Rights Reserved

13. Especificaciones