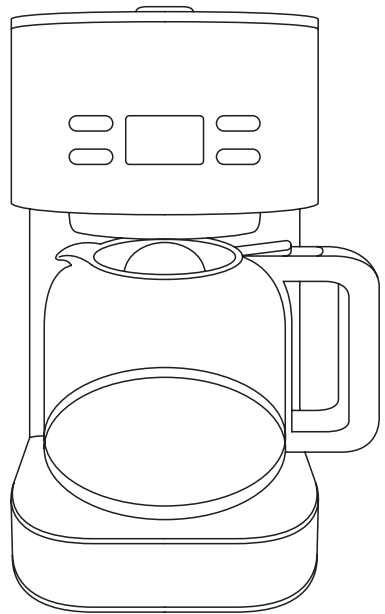




Magic Chef®

12-Cup Coffee Maker

User's Manual



Model MCL12CMRT

PLEASE READ THIS MANUAL CAREFULLY BEFORE USING YOUR COFFEE MAKER AND KEEP IT FOR FUTURE REFERENCE.





PRODUCT REGISTRATION

Thank you for purchasing a Magic Chef® product. The first step to protect your new product is to complete the product registration on our website: www.mcappliance.com/register. The benefits of registering your product include the following:

1. Registering your product will allow us to contact you regarding a safety notification or product update.
2. Registering your product will allow for more efficient warranty service processing when warranty service is required.
3. Registering your product could act as your proof of purchase in the event of insurance loss.

Once again, thank you for purchasing a Magic Chef product.

CONTENTS

PRODUCT REGISTRATION	2
IMPORTANT SAFETY INSTRUCTIONS	4
SPECIFICATIONS	6
BEFORE USE	7
OPERATING INSTRUCTIONS	8
CARE AND MAINTENANCE	9
TROUBLESHOOTING	10
LIMITED WARRANTY	11

IMPORTANT SAFETY INSTRUCTIONS

This manual contains Safety Instructions, Installation and Operating Instructions, and Troubleshooting Tips. Please carefully read this manual before using your coffee maker for instructions on how to use and maintain the product properly. Be sure to follow the safety instructions to avoid injury or damage to the product.

Keep this manual. When passing on/selling the device to a third party, the manual must be handed over along with the device.

Before calling for service, please make sure unit is installed and being used correctly, and read the troubleshooting section.

▲ WARNING: When using your appliance, follow the precautions listed below:

▲ NOTE: Specifications may change at any time without notice.

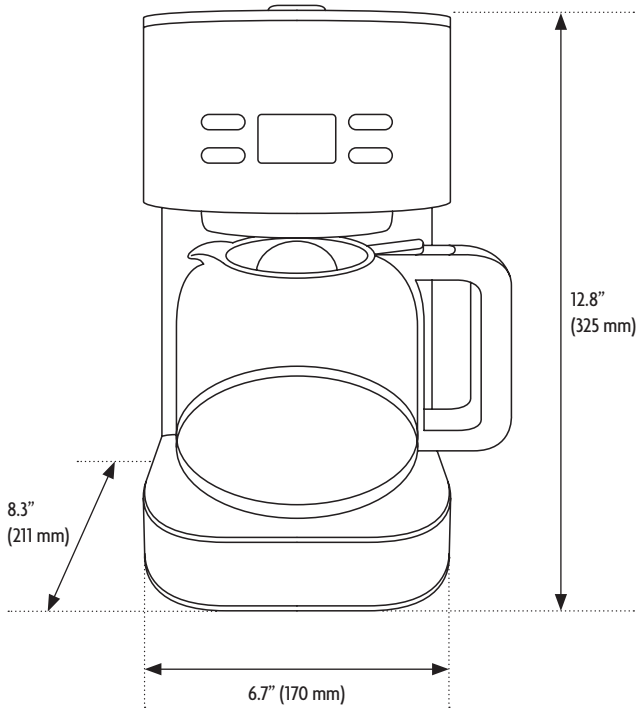
1. Read all instructions.
2. This appliance is for household use only. It is not intended for commercial applications.
3. DO NOT use outdoors.
4. This appliance should not be operated by anyone that is not able to follow proper safety procedures or does not have experience with this type of equipment, unless under supervision.
5. Close supervision is necessary when any appliance is used by or near children.
6. DO NOT place on or near a hot burner or any other heat source; or in a heated oven.
7. ALWAYS place unit on stable, heat resistant surface. DO NOT use on carpet, vinyl, cloth, etc.
8. DO NOT use where children can reach the appliance or the cord.
9. To reduce the risk of electric shock, this appliance has a polarized plug (one blade is wider than the other). If the plug does not fit properly into the outlet, reverse it. If it still does not fit, try a different outlet or contact a qualified electrician. DO NOT attempt to modify the plug in any way.
10. DO NOT operate any appliance that has a damaged cord or plug; or if the unit is damaged or malfunctions in any way. Contact customer service or a service technician.
11. ALWAYS plug the appliance into an outlet, and then turn on. To disconnect, ALWAYS turn controls to "Off", then remove plug from outlet.
12. The coffee maker must be plugged into a properly installed and grounded outlet that meets the voltage requirements listed on the ratings label.
13. DO NOT let the power cord touch any hot surfaces on the appliance.
14. A short power-supply cord should be used to reduce the risks resulting from becoming entangled in or tripping over a longer cord. Extension cords may be used if care is exercised in their use. The marked electrical rating of the extension cord should be at least as great as the electrical rating of the appliance. The longer cord should be arranged so that it will not drape over the countertop or table top where it can be pulled on by children or tripped over.
15. Some parts of the appliance get very hot when in operation. DO NOT touch hot surfaces. Use caution when unit is in use, and ALWAYS use handles or knobs.
16. Extreme caution must be used when moving an appliance containing hot water or other hot liquids.
17. Unplug from outlet when either the appliance or display clock is not in use, and before cleaning. Allow to cool before putting on or taking off parts, and before cleaning the appliance.
18. DO NOT immerse the appliance or power cord into water or any other liquids.

19. The use of accessories not recommended by the appliance manufacturer may cause injuries.
20. DO NOT use appliance for other than intended use.
21. NEVER leave the empty carafe on the warming plate while unit is on, as doing so may result in the carafe breaking.
22. DO NOT let cord hang over edge of table or counter. ALWAYS keep the cord away from hot surfaces or items.
23. Scalding may occur if the lid is removed during the brewing cycles.
24. The container is designed for use with this appliance. It must never be used on a range top.
25. DO NOT use a cracked container or a container having a loose or weakened handle.
26. DO NOT clean container with cleansers, steel wool pads, or other abrasive material.

**READ AND FOLLOW THIS
SAFETY INFORMATION CAREFULLY
SAVE THESE INSTRUCTIONS**

SPECIFICATIONS

Figure 1



Dimensions (W x H x D)	6.7" x 12.8" x 8.3" (170 mm x 325 mm x 211 mm)
Power Supply	120V - 60Hz
Rated Power	900W
Capacity	12-Cup

BEFORE USE

Before using the coffee maker, it is recommended to rinse off all parts and clean out the inside of the unit as follows:

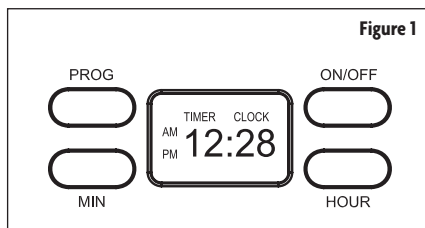
1. Pour 6 cups of water into the water tank.
2. Set nylon filter in funnel, empty, and replace water tank cover.
3. Place carafe on the warming plate.
4. Insert plug into outlet.
5. Press the “On/Off” button once and the red indicator light will illuminate. After a short while water will start to drip through the coffee maker.
6. When the water stops dripping, dispose of and wash out the carafe with warm, soapy water. Rinse thoroughly.
7. Press “On/Off” button twice to turn off.

OPERATING INSTRUCTIONS

MAKING COFFEE MANUALLY

1. Open the water tank cover and fill to the mark with clean water.
2. Add desired amount coffee grounds to nylon filter according to taste, then set nylon filter into funnel.
3. Close the water tank cover and plug in the coffee maker. Display will show 12:00.
4. Put carafe on the warming plate, making sure that it is lined up with funnel.
5. Press the “On/Off” button once and the red indicator light will illuminate. After a short while water will start to drip through the coffee maker.
6. When the brewing is completed, the coffee maker will go into a “Keep Warm” mode and then turn off after 2 hours.

▲ NOTE: You can remove the carafe at any point in the brewing cycle to pour a cup of coffee, but be sure to put back in place under the funnel within 30 seconds.



SETTING THE CLOCK AND AUTOMATIC BREWING

The coffee maker can be programmed to automatically begin brewing coffee at a preset time by doing the following:

1. Press the “PROG” button once and “CLOCK” will appear on the display.
2. Use the “HOUR” and “MIN” buttons to set the current time. Make sure to set AM/PM for the time.
3. Press “PROG” button to save the current time setting and the display shows “TIMER”.
4. Use the “HOUR” and “MIN” buttons to set the desired automatic start time.
5. Press the “On/Off” button twice. The blue light will come on, and unit will begin brewing coffee at the pre-set time that was entered. When brewing starts, the red light will turn on.

▲ WARNING: DO NOT leave the coffee maker unattended while it is brewing.

CARE AND MAINTENANCE

Your coffee maker should be cleaned following each use.

1. Turn the unit off and unplug. Allow the coffee maker to cool completely before cleaning. DO NOT immerse the housing in water to clean.
2. Use a damp, soft sponge or cloth to wipe down the exterior housing and water tank.
▲ NOTE: DO NOT clean using alcohol or chemical cleaners and solvents.
3. Clean all removable parts with a mild dish detergent. Make sure to rinse and dry all pieces thoroughly.

CLEANING MINERAL DEPOSITS

To keep the coffee maker operating efficiently, it is important to clean out mineral deposits left by water at least once every 3 months, depending on frequency of use and water quality. Fill the carafe with 1 part white vinegar to 3 parts clean water and pour into the water tank. DO NOT put in any coffee grounds. Run the unit using the instructions in the “Before Use” section. When brewing cycle is complete, dispose of the water and run at least 2 more times using clean water or until there is no discoloration or odor in the water that has dripped out of the funnel.

TROUBLESHOOTING

Problem	Cause	Remedy
Water leaking from funnel or top of carafe	The carafe is not positioned correctly	Make sure top of carafe lines up with opening in the bottom of the funnel
Coffee drips too slow or overflows from the funnel	Coffee is ground too finely	Use coarser ground coffee
	Nylon filter is dirty	Clean the nylon filter with clean water
Residue in the bottom of the carafe	Coffee is ground too finely	Use coarser ground coffee
	Nylon filter is dirty	Clean the nylon filter with clean water.
Coffee maker not making coffee	Heater may overheat, causing unit to shut down	Try again after a few minutes. If it still doesn't work, contact customer service
	Not enough water	Add water to water tank.



LIMITED WARRANTY

MC Appliance Corporation warrants each new Coffee Maker to be free from defects in material and workmanship, and agrees to remedy any such defect or to furnish a new part(s), at the company's option, for any part(s) of the unit that has failed during the warranty period. Parts and labor expenses are covered on this unit for a period of one year from the date of purchase. A copy of the dated sales receipt/invoice is required to receive warranty service, replacement or refund.

This warranty covers appliances in use within the contiguous United States, Alaska, Hawaii and Puerto Rico. This warranty does not cover the following:

- Damages due to shipping damage or improper installation.
- Damages due to misuse or abuse.
- Content losses due to failure of the unit.
- Repairs performed by unauthorized service agents.
- Service calls that do not involve defects in material and workmanship such as instructions on proper use of the product or improper installation.
- Replacement or resetting of house fuses or circuit breakers.
- Failure of this product if used for other purposes than its intended purpose.
- Disposal costs for any failed unit not returned to our factory.
- Any delivery/installation costs incurred as the result of a unit that fails to perform as specified.
- Expenses for travel and transportation for product service if your appliance is located in a remote area where service by an authorized service technician is not available.
- The removal and reinstallation of your appliance if it is installed in an inaccessible location or is not installed in accordance with published installation instructions.
- Refunds for non repairable products are limited to the price paid for the unit per the sales receipt.
- This warranty is non transferable. This warranty applies only to the original purchaser and does not extend to any subsequent owner(s).

Limitations of Remedies and Exclusions:

Product repair in accordance with the terms herein, is your sole and exclusive remedy under this limited warranty. Any and all implied warranties including merchantability and fitness for a particular purpose are hereby limited to one year or the shortest period allowed by law. MC Appliance Corporation is not liable for incidental or consequential damages and no representative or person is authorized to assume for us any other liability in connection with the sale of this product. Under no circumstances is the consumer permitted to return this unit to the factory without the prior written consent of MC Appliance Corporation.

Some states prohibit the exclusion or limitation of incidental or consequential damages, or limitations on implied warranties. This warranty gives you specific legal rights, and you may also have other rights which vary from state to state.

Model	Parts	Labor	Type of Service
MCL12CMRT	One Year	One Year	Carry In

For Service or Assistance please call **888-775-0202** or visit us on the web at www.mcappliance.com to request warranty service or order parts.



**CNA International, Inc. d/b/a MC Appliance Corporation. All rights reserved.
Magic Chef® logo is a registered trademark of CNA International, Inc.**

www.mcappliance.com

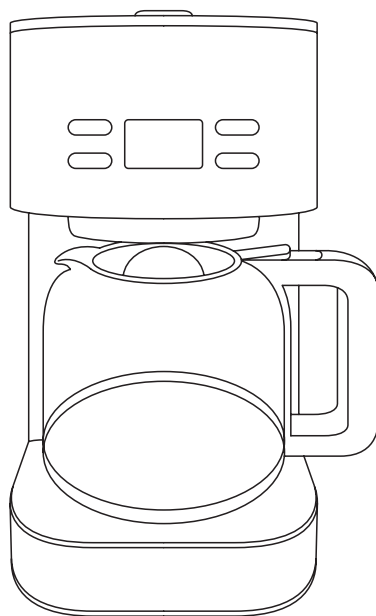
Printed in China



Magic Chef®

Cafetera de 12 tazas

Manual del usuario



Modelo MCL12CMRT

POR FAVOR LEA CUIDADOSAMENTE ESTE MANUAL ANTES DE USAR SU CAFETERA Y CONSÉRVELO PARA FUTURAS REFERENCIAS.





REGISTRO DEL PRODUCTO

Gracias por comprar un producto Magic Chef®. El primer paso para proteger su nuevo producto es completar el registro del producto en nuestro sitio web: www.mcappliance.com/register. Entre los beneficios de registrar su producto se incluyen los siguientes:

1. Registrar su producto nos permitirá contactarlo en relación con cualquier aviso de seguridad o actualización del producto.
2. Registrar su producto permitirá un proceso de servicio de garantía más eficiente, cuando se requiera el servicio de garantía.
3. Registrar su producto podría servir como su prueba de compra en el caso de que usted sufra una pérdida que esté cubierta por el seguro.

Una vez más, gracias por comprar un producto Magic Chef.

ÍNDICE

REGISTRO DEL PRODUCTO	14
INSTRUCCIONES DE SEGURIDAD IMPORTANTES	16
ESPECIFICACIONES	18
ANTES DE SU USO	19
INSTRUCCIONES DE FUNCIONAMIENTO	20
CUIDADO Y MANTENIMIENTO	21
SOLUCIÓN DE PROBLEMAS	22
GARANTÍA LIMITADA	23

INSTRUCCIONES DE SEGURIDAD IMPORTANTES

Este manual contiene instrucciones de seguridad, instrucciones de instalación y funcionamiento, y consejos de solución de problemas. Por favor, lea atentamente este manual antes de utilizar su cafetera para conocer las instrucciones sobre cómo utilizar y mantener el producto adecuadamente. Asegúrese de seguir las instrucciones de seguridad para evitar lesiones o daños al producto.

Guarde este manual. Al transferir/vender el dispositivo a un tercero, el manual debe entregarse junto con el dispositivo.

Antes de contactar al servicio técnico, por favor cerciórese de que la unidad esté instalada y se esté usando de manera correcta, y lea la sección de solución de problemas.

▲ ADVERTENCIA: Siga las precauciones que se indican a continuación al utilizar su aparato.

▲ NOTA: Las especificaciones pueden cambiar en cualquier momento sin aviso previo.

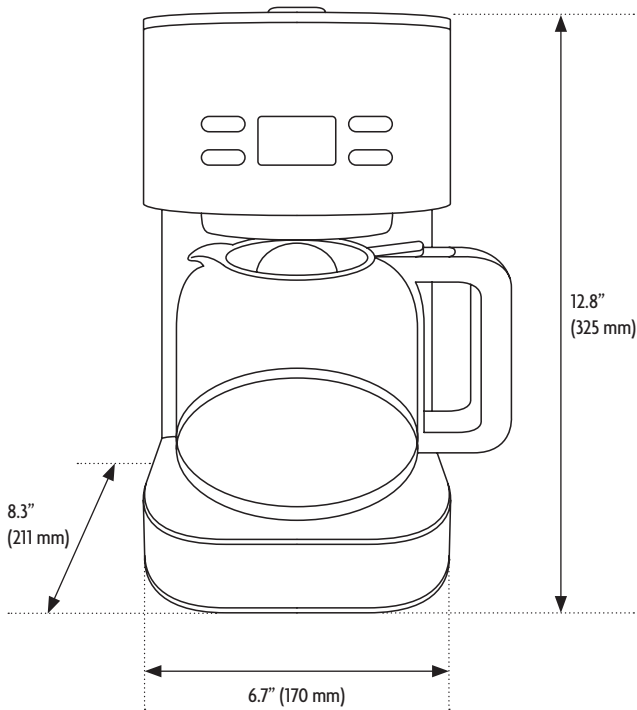
1. Lea todas las instrucciones.
2. Este aparato es solo para uso doméstico. No está diseñado para aplicaciones comerciales.
3. NO utilice al aire libre.
4. Este aparato no debe ser operado por alguien que no pueda seguir los procedimientos de seguridad adecuados o que no tenga experiencia con este tipo de equipos, a menos que sea bajo atenta supervisión.
5. Se requiere supervisión de cerca cuando el aparato sea utilizado por niños o cerca de ellos.
6. NO coloque sobre de una hornilla caliente ni cualquier otra fuente de calor, ni cerca de ellas, ni dentro de un horno caliente.
7. SIEMPRE coloque la unidad sobre una superficie estable y resistente al calor. NO utilice sobre alfombras, vinilos, telas, etc.
8. NO lo utilice donde el aparato o el cable estén al alcance de los niños.
9. Para reducir el riesgo de descarga eléctrica, este aparato tiene una clavija polarizada (un contacto es más ancho que el otro). Si la clavija no encaja adecuadamente dentro del tomacorriente, invíértala. Si aún no encaja, intente en un tomacorriente distinto o comuníquese con un electricista calificado. NO intente alterar el tomacorriente de ningún modo.
10. NO opere este aparato si tiene dañado el cable o la clavija, o si la unidad está defectuosa o funciona mal de alguna manera. Póngase en contacto con Atención al Cliente o un electricista de servicio.
11. SIEMPRE enchufe el aparato en un tomacorriente y luego enciéndalo. Para desenchufarlo, SIEMPRE gire el mando a la posición "Off" (Apagado), luego retire la clavija del tomacorriente.
12. La cafetera debe enchufarse en un tomacorriente adecuadamente instalado y conectado a tierra, que cumpla con los requisitos de voltaje indicados en la etiqueta de especificaciones eléctricas.
13. NO deje que el cable de alimentación toque alguna de las superficies calientes del aparato.
14. Debe utilizarse un cable de alimentación corto para reducir los riesgos de enredo o tropiezo con un cable más largo. Se pueden utilizar cables de extensión si se hace con cuidado. La capacidad eléctrica del cable de extensión debe ser al menos tan alta como la capacidad eléctrica del aparato. El cable más largo debe colocarse de tal manera que no cuelgue fuera de la superficie de la mesa o el mesón donde pueda ser halado por los niños o que pueda tropezarse.
15. Algunas piezas del aparato se calientan mucho durante su funcionamiento. NO toque las superficies calientes. Tenga precaución al utilizar la unidad y SIEMPRE utilice manijas o perillas.

16. Se debe tener mucho cuidado al mover el aparato cuando contenga agua caliente u otro líquido caliente.
17. SIEMPRE apague y desconecte el enchufe del tomacorriente cuando el reloj del aparato o de la pantalla no esté en uso y antes de limpiarlo. Deje que la unidad se enfríe antes de limpiarla, moverla o repararla.
18. No sumerja el aparato ni el cable de alimentación en agua ni en ningún otro líquido.
19. El uso de accesorios no recomendados por el fabricante del aparato puede causar lesiones.
20. Utilice este aparato solo para el uso previsto.
21. Nunca deje la garrafa vacía sobre el plato calentador mientras la unidad esté encendida, ya que esto puede causar la rotura de la garrafa.
22. NO deje que el cable quede colgando del borde de mesas o mesones. SIEMPRE mantenga el cable alejado de superficies u objetos calientes.
23. Se puede quemar si se retira la tapa durante los ciclos de preparación.
24. El contenedor está diseñado para su uso con esta unidad. Nunca se debe usar en una estufa.
25. No utilice un recipiente agrietado o un contenedor que tenga un mango suelto o debilitado.
26. No limpie el recipiente con limpiadores, almohadillas de lana de acero u otro material abrasivo.

LEA ESTA INFORMACIÓN DE SEGURIDAD Y SÍGALA CUIDADOSAMENTE GUARDE ESTAS INSTRUCCIONES

ESPECIFICACIONES

Figura 1



Dimensiones (A x L x P)	6.7" x 12.8" x 8.3" (170 mm x 325 mm x 211 mm)
Fuente de alimentación	120V - 60Hz
Potencia de entrada	900W
Capacidad	12 tazas

ANTES DE SU USO

Antes de utilizar la cafetera, se recomienda que enjuague todas las piezas y limpie el interior de la unidad como se indica a continuación:

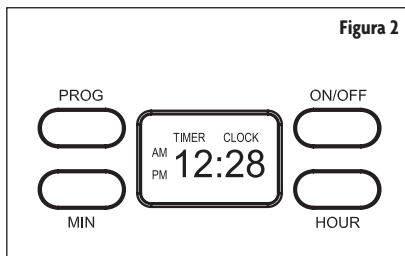
1. Vierta 6 tazas de agua dentro del depósito de agua.
2. Coloque el filtro de nylon en el embudo, vacío, y vuelva a colocar la tapa del depósito de agua en su sitio.
3. Coloque la garrafa sobre el plato calentador.
4. Inserte la clavija dentro del tomacorriente.
5. Presione el botón "ON / OFF" una vez y la luz roja se iluminará. Después de un corto período de tiempo, el agua debe comenzar a gotear la cafetera.
6. Cuando el agua deje de gotear, deseche y lave la garrafa con agua jabonosa tibia. Enjuague completamente.
7. Presione el botón "On / Off" dos veces para apagarlo.

INSTRUCCIONES DE FUNCIONAMIENTO

PREPARACIÓN MANUAL DE CAFÉ

1. Abra la tapa del depósito de agua y llene con agua potable hasta la marca.
2. Agregue la cantidad deseada de granos de café al filtro de nylon según el gusto, luego coloque el filtro de nylon en el embudo.
3. Cierre la tapa del depósito de agua y enchufe la cafetera. La pantalla mostrará 12:00.
4. Coloque la garrafa sobre el plato calentador, asegurándose de que esté alineado con el embudo.
5. Presione el botón "ON / OFF" una vez y la luz roja se iluminará. Después de un corto período de tiempo, el agua debe comenzar a gotear la cafetera.
6. Cuando termine la preparación, la cafetera se pondrá en modo "Keep Warm" (Mantener tibio) y se apagará 2 horas después.

▲ NOTA: Puede retirar la garrafa en cualquier momento durante el ciclo de preparación para verter una taza de café, pero asegúrese de colocarla de nuevo en su lugar bajo el embudo dentro de los 30 segundos.



AJUSTE DE RELOJ Y PREPARACIÓN AUTOMÁTICA

La cafetera puede programarse para comenzar la preparación del café automáticamente a una hora preestablecida haciendo lo siguiente:

1. Oprima el botón "PROG" (Programar) una vez y "CLOCK" (Reloj) aparecerá en la pantalla.
2. Utilice los botones "HOUR" (Hora) y "MIN" (Minuto) para ajustar la hora actual. Asegúrese de fijar AM/PM, según corresponda.
3. Oprima el botón "PROG" para guardar el ajuste de la hora y la pantalla muestra "TIMER".
4. Utilice los botones "HOUR" y "MIN" para establecer la hora de inicio automática deseada.
5. Oprima el botón "On/Off" dos veces. La luz azul se encenderá y la unidad comenzará a preparar el café a la hora preestablecida. Cuando la preparación comience, se encenderá la luz roja.

▲ ADVERTENCIA: NO deje la cafetera sin supervisión mientras esté funcionando.

CUIDADO Y MANTENIMIENTO

Se recomienda la limpieza de su cafetera tras cada uso.

1. Apague la unidad y desenchúfela. Deje que la cafetera se enfríe completamente antes de limpiarla. NO sumerja la carcasa en agua para limpiarla.
2. Utilice una esponja o un paño suave y húmedo para limpiar la carcasa exterior y el depósito de agua.
▲ NOTA: NO la limpie utilizando alcohol ni limpiadores o solventes químicos.
3. Limpie todas las piezas extraíbles con un detergente suave. Asegúrese de enjuagar y secar todas las piezas completamente.

LIMPIEZA DE LOS DEPÓSITOS MINERALES

Para mantener la cafetera operando eficientemente, es importante que limpie los depósitos minerales dejados por el agua al menos una vez cada 3 meses, dependiendo de la frecuencia de uso y la calidad del agua. Llene la garrafa con 1 parte de vinagre blanco por 3 partes de agua limpia y viértalo dentro del depósito de agua. NO coloque ningún grano de café dentro. Opere la unidad siguiendo las instrucciones contenidas en la sección “Antes de usar”. Cuando finalice el ciclo de preparación, deseche el agua y opere la unidad al menos 2 veces utilizando agua limpia o hasta que no haya decoloración ni olor en el agua que goteó del embudo.

SOLUCIÓN DE PROBLEMAS

Problema	Causa	Solución
Hay un goteo de agua del embudo o la parte superior de la garrafa.	La garrafa no está colocada correctamente.	Asegúrese de que la parte superior de la garrafa esté alineada con la abertura en el fondo del embudo.
El café gotea muy lentamente o se desborda del embudo hacia afuera.	El café se ha molido demasiado fino.	Use café molido más grueso.
	El filtro de nylon está sucio.	Limpie el filtro de nylon con agua limpia.
Hay residuos en el fondo de la garrafa.	El café se ha molido demasiado fino.	Use café molido más grueso.
	El filtro de nylon está sucio.	Limpie el filtro de nylon con agua limpia.
La cafetera no está preparando el café.	El calentador puede sobrecalentarse, causando que la unidad se apague.	Inténtelo de nuevo después de unos minutos. Si aún no funciona, póngase en contacto con Atención al Cliente.
	No hay suficiente agua.	Agregue agua al depósito de agua.



GARANTÍA LIMITADA

MC Appliance Corporation garantiza que cada Cafetera nueva carece de defectos en los materiales y en la mano de obra, y conviene en remediar cualquier defecto o proporcionar la(s) pieza(s) nueva(s), por cualquier/cualesquiera pieza(s) de la unidad que haya(n) fallado durante el período de garantía, a discreción de la compañía. Las piezas y los gastos de mano de obra de esta unidad están cubiertos por un período de un año a partir de la fecha de compra. Es necesario presentar una copia del recibo o de la factura de venta fechado, para recibir el servicio de garantía, reemplazo o reembolso.

Esta garantía cubre los aparatos en uso dentro de los Estados Unidos contiguos, Alaska, Hawái y Puerto Rico. Esta garantía no cubre lo siguiente:

- Los daños causados durante el envío o por instalación incorrecta.
- Los daños causados por uso incorrecto o abuso.
- La pérdida de contenido a causa de fallas de la unidad.
- Las reparaciones llevadas a cabo por agentes de servicio no autorizados.
- Las llamadas al servicio técnico que no impliquen defectos en el material y mano de obra, tales como instrucciones sobre el uso correcto del producto o la instalación incorrecta.
- El reemplazo o reajuste de los fusibles de la casa o los interruptores de circuito.
- La falla de este producto si se usa para fines distintos de aquellos para los que fue diseñado.
- Los costos de desecho de cualquier unidad defectuosa no devuelta a nuestra fábrica.
- Cualquiera de los costos de entrega/instalación incurridos como resultado de una unidad que no funcione según las especificaciones.
- Los gastos de viaje y transporte para obtener servicio para el producto si su aparato está ubicado en una zona remota donde el servicio por parte de un técnico de servicio autorizado no está disponible.
- El retiro y la nueva instalación de su aparato si está instalado en una ubicación inaccesible o no fue instalado conforme a las instrucciones de instalación publicadas.
- Los reembolsos por los productos que no son reparables se limitan al precio pagado por la unidad conforme a la factura de venta.
- Esta garantía es intransferible. Esta garantía aplica solo al comprador original y no se extiende a cualquier propietario(s) subsecuente(s).

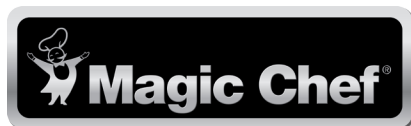
LIMITACIONES A LAS SOLUCIONES Y EXCLUSIONES:

La reparación del producto de acuerdo con los términos aquí indicados, es su única y exclusiva solución bajo esta garantía limitada. Cualquiera y todas las garantías implícitas, incluyendo la comercialización y la idoneidad para un propósito particular se limitan por medio de la presente a un año o al período más corto permitido por la ley. MC Appliance Corporation no es responsable por daños incidentales o emergentes y ningún representante o persona está autorizada para asumir por nuestra parte, ninguna otra responsabilidad en relación con la venta de este producto. Bajo ninguna circunstancia se le permite al consumidor devolver esta unidad a la fábrica sin la autorización previa por escrito suministrada por MC Appliance Corporation.

Algunos estados prohíben la exclusión o limitación de los daños incidentales o emergentes, o limitaciones en las garantías implícitas. Esta garantía le otorga derechos legales específicos y podría tener otros derechos que varían según el estado.

Modelo	Piezas	Mano de obra	Tipo de servicio
MCL12CMRT	Un año	Un año	Reparación en taller

Para servicio o asistencia por favor llame al **888-775-0202** o visítenos en el sitio web en www.mcappliance.com para solicitar servicio de garantía u ordenar piezas.



CNA International, Inc., opera bajo el nombre comercial de MC Appliance Corporation. Todos los derechos reservados. El logo de Magic Chef® es una marca registrada de CNA International, Inc.

www.mcappliance.com

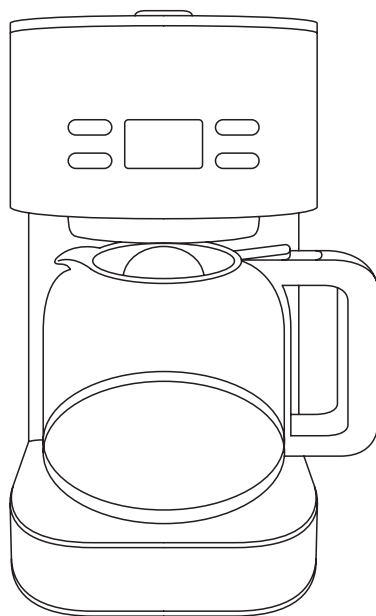
Impreso en China



Magic Chef®

Cafetière à 12 tasses

Manuel d'utilisation



Modèle MCL12CMRT

VEILLEZ LIRE ATTENTIVEMENT CE MANUEL AVANT D'UTILISER VOTRE CAFETIÈRE ET CONSERVEZ-LE POUR RÉFÉRENCE FUTURE.





ENREGISTREMENT DU PRODUIT

Merci d'avoir acheté un produit Magic Chef®. La première étape pour protéger votre produit est de remplir l'enregistrement de votre produit sur notre site web à www.mcappliance.com/register. Les avantages d'enregistrer votre produit sont les suivants:

1. Enregistrer votre produit vous permet de nous contacter par rapport aux avertissements de sécurité et aux mises à jour sur le produit.
2. Enregistrer votre produit permettra un traitement plus efficace de l'entretien sous garantie lorsqu'un entretien est nécessaire.
3. Enregistrer votre produit pourrait être utilisé comme preuve d'achat dans le cas d'une réclamation d'assurance.

Une fois de plus, merci d'avoir acheté un produit Magic Chef®.

CONTENU

ENREGISTREMENT DU PRODUIT	26
INSTRUCTIONS IMPORTANTES DE SÉCURITÉ	28
SPÉCIFICATIONS	30
AVANT L'UTILISATION	31
INSTRUCTIONS D'INSTALLATION	32
SOIN ET ENTRETIEN	33
DÉPANNAGE	34
GARANTIE LIMITÉE	35

INSTRUCTIONS IMPORTANTES DE SÉCURITÉ

Ce manuel contient les instructions de sécurité, d'installation et d'utilisation et les conseils pour la résolution des problèmes. Veuillez lire attentivement ce manuel sur les instructions d'utilisation et le bon entretien du produit avant d'utiliser votre cafetière. Assurez-vous de respecter les mesures de sécurité pour éviter les blessures et les dommages au produit.

Conservez ce manuel. Lorsque vous léguerez/vendez cet appareil à une autre partie, ce manuel devrait accompagner l'appareil.

Avant d'appeler l'entretien, assurez-vous que l'appareil est installé et utilisé correctement et lisez la section sur la résolution des problèmes.

▲ AVERTISSEMENT: Lorsque vous utilisez votre appareil, suivez les précautions énumérées ci-dessous.

▲ REMARQUE: Les spécifications peuvent changer à tout moment sans avertissement.

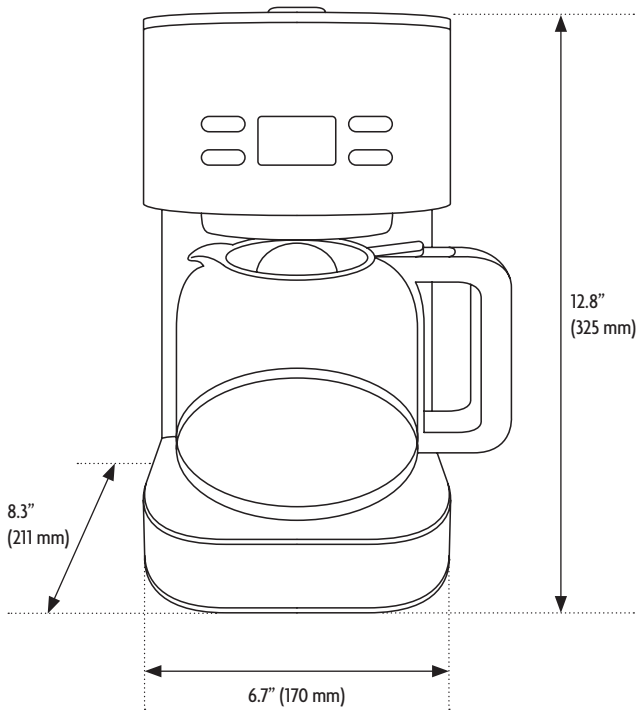
1. Lisez toutes les instructions.
2. Cet appareil est uniquement pour une utilisation domestique. Cet appareil n'est pas conçu pour une utilisation commerciale.
3. NE PAS utiliser à l'extérieur.
4. Cet appareil ne devrait pas être utilisé par une personne incapable de suivre des procédures de sécurité ou sans expérience avec ce type d'équipement, à moins d'être supervisé.
5. Une supervision particulière est nécessaire lorsque cet appareil est utilisé par ou près d'enfants.
6. NE PAS placer sur ou près d'un brûleur chaud ou toute autre source de chaleur ou un four chauffé.
7. TOUJOURS placer l'appareil sur une surface stable et résistante à la chaleur. NE PAS utiliser sur du tapis, de vinyle, de linge, etc.
8. NE PAS utiliser où les enfants peuvent avoir accès au fil d'alimentation.
9. Pour réduire le risque de décharges électriques, cet appareil possède une fiche polarisée (une dent est plus large que l'autre). Si la fiche ne s'insère mal dans la prise, inversez les dents. Si elle ne s'insère toujours pas, essayez une autre prise ou contactez un électricien. NE PAS essayer de modifier la fiche de quelque façon que ce soit.
10. NE PAS utiliser l'appareil si le fil d'alimentation ou la fiche sont endommagés ou si l'appareil est endommagé ou fonctionne mal de quelque manière que ce soit. Contactez le service à la clientèle ou un technicien.
11. TOUJOURS brancher l'appareil avant de l'allumer. Pour débrancher, TOUJOURS éteindre à «OFF» avant d'enlever la fiche de la prise électrique.
12. La cafetière doit être bien branchée dans une prise avec mise à la terre qui respecte les exigences en voltage inscrites sur la fiche signalétique.
13. NE PAS permettre au fil d'alimentation d'entrer en contact avec les surfaces chaudes de cet appareil.
14. Un fil d'alimentation court devrait être utilisé pour réduire le risque d'empêchement ou de trébuchage d'un long fil d'alimentation. Des rallonges peuvent être utilisées si elles le sont avec soin. La puissance électrique de la rallonge devrait être au moins égale ou supérieure à la puissance électrique de l'appareil. Le fil plus long devrait être arrangé pour qu'il ne s'étende pas sur le comptoir ou la table où il peut être tiré par un enfant ou faire trébucher.
15. Certaines parties de l'appareil deviennent très chaudes durant l'utilisation. NE PAS toucher les surfaces chaudes. Faites attention lorsque l'appareil est utilisé et utilisez TOUJOURS les poignées et les boutons.

16. Une attention particulière devrait être prise lors du déplacement d'un appareil contenant de l'eau chaude ou tout autre liquide chaud.
17. TOUJOURS éteignez et débranchez-le de la prise lorsque l'appareil ou l'horloge d'affichage ne sont pas utilisés et avant de nettoyer. Laissez l'appareil se refroidir avant de nettoyer, de déplacer ou d'en faire l'entretien.
18. NE PAS submerger l'appareil ou le fil d'alimentation dans de l'eau ou tout autre liquide.
19. L'utilisation d'accessoires qui ne sont pas recommandés par le fabricant peut occasionner des blessures.
20. NE PAS utiliser l'appareil pour d'autres raisons que celle prévue.
21. Ne jamais laisser une carafe vide sur la plaque chauffante lorsqu'elle est allumée, ce qui pourrait briser la carafe.
22. NE PAS laisser le fil d'alimentation pendre sur le côté d'une table ou d'un comptoir. TOUJOURS éloigner le fil d'alimentation des surfaces et des objets chauds.
23. Des brûlures peuvent se produire si le couvercle est retiré pendant les cycles de brassage.
24. Le conteneur est conçu pour être utilisé avec cet appareil. Il ne doit jamais être utilisé sur une cuisinière.
25. N'UTILISEZ PAS de récipient agrippé ou de récipient ayant une poignée lâche ou cassée.
26. NE PAS nettoyer le récipient avec des nettoyants, des tampons en laine d'acier ou d'autres matériaux abrasifs.

**LISEZ ET SUIVEZ ATTENTIVEMENT CES
INFORMATIONS DE SÉCURITÉ
CONSERVEZ CES INSTRUCTIONS**

SPÉCIFICATIONS

Figure 1



Dimensions (H x L x l)	6.7" x 12.8" x 8.3" (170 mm x 325 mm x 211 mm)
Alimentation électrique	120V - 60Hz
Courant	900W
Capacité	12 tasses

AVANT L'UTILISATION

Avant d'utiliser la cafetière, il est recommandé de rincer toutes les pièces et de nettoyer l'intérieur de l'appareil comme suit:

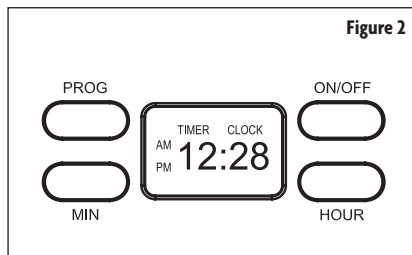
1. Versez 6 tasses d'eau dans le réservoir d'eau.
2. Placez un filtre du nylon dans l'entonnoir, videz et remplacez l'eau dans le réservoir.
3. Placez une carafe sur la plaque chauffante.
4. Branchez l'appareil.
5. Appuyez sur le bouton «ON/OFF» une fois et le témoin rouge devrait s'allumer. Après un court laps de temps, l'eau devrait commencer à goutter la cafetière.
6. Lorsque l'eau arrête de couler, jetez-la et lavez la carafe avec de l'eau chaude savonneuse. Rincez complètement.
7. Appuyez sur le bouton "On / Off" deux fois pour le désactiver.

INSTRUCTIONS D'UTILISATION

FAIRE DU CAFÉ MANUELLEMENT

1. Ouvrez le couvercle du réservoir d'eau et remplissez-le jusqu'à la marque avec de l'eau propre.
2. Ajoutez la quantité voulue de café moulu dans le filtre en nylon selon le gout puis placez le filtre de nylon dans l'entonnoir.
3. Fermez le couvercle du réservoir et branchez la cafetière. 12:00 sera affiché.
4. Placez la carafe sur la plaque chauffante et assurez-vous qu'elle est alignée avec l'entonnoir.
5. Appuyez sur le bouton «ON/OFF» une fois et le témoin rouge devrait s'allumer. Après un court laps de temps, l'eau devrait commencer à goutter la cafetière.
6. Lorsque l'infusion est terminée, la cafetière entrera en mode «Garder au chaud» et s'éteindra après 2 heures.

▲ REMARQUE: Vous pouvez enlever la carafe à n'importe quel moment pendant le cycle d'infusion pour verser une tasse de café, assurez-vous de le replacer sous l'entonnoir en moins de 30 secondes.



RÉGLER L'HORLOGE ET L'INFUSION AUTOMATIQUE

La cafetière peut être programmée pour commencer à infuser automatiquement à une heure prédéterminée en suivant les étapes suivantes:

1. Appuyez sur le bouton «PROG» une fois et «CLOCK» s'affichera.
2. Utilisez les boutons «HOUR» et «MIN» pour indiquer l'heure actuelle. Assurez-vous de régler la période AM/PM.
3. Appuyez sur le bouton "PROG" pour enregistrer l'heure et "TIMER" s'affiche.
4. Utilisez les boutons «HOUR» et «MIN» pour régler l'heure de départ automatique.
5. Appuyez sur le bouton «ON/OFF» deux fois. La lumière bleue s'allume et l'unité commencera à faire du café à l'heure programmée. Lorsque l'infusion commence, le témoin rouge s'allume.

▲ AVERTISSEMENT: NE PAS laisser la cafetière sans supervision pendant l'infusion.

SOIN ET ENTRETIEN

Votre cafetière devrait être nettoyée avant chaque utilisation.

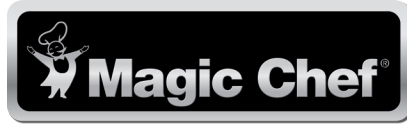
1. Éteignez l'appareil et débranchez-le. Laissez la cafetière se refroidir complètement avant de la nettoyer. NE PAS submerger l'intérieur dans de l'eau pour le nettoyer.
2. Utilisez une éponge ou un linge doux et humide pour essuyer l'intérieur et le réservoir d'eau.
▲ REMARQUE: NE PAS nettoyer avec de l'alcool, des solvants ou des nettoyeurs chimiques.
3. Nettoyez toutes les pièces amovibles avec un détergent à vaisselle doux. Assurez-vous de complètement rincer toutes les pièces.

NETTOYER LES DÉPÔTS DE MINÉRAUX

Pour que la cafetière fonctionne bien il est important de nettoyer les dépôts de minéraux laissés par l'eau aux trois (3) mois, selon la fréquence d'utilisation et la qualité de l'eau. Remplissez la carafe avec 1 part de vinaigre blanc pour 3 parts d'eau propre et versez dans le réservoir d'eau. NE PAS mettre de café moulu. Faites fonctionner l'appareil avec les instructions de la section «Avant l'utilisation». Lorsque le cycle d'infusion est terminé, jetez l'eau et réinfusez au moins 2 fois avec de l'eau propre ou jusqu'à ce qu'il n'y ait plus de décoloration ou d'odeur dans l'eau qui s'égoutte de l'entonnoir.

DÉPANNAGE

Problème	Cause	Solution
De l'eau s'écoule de l'entonnoir ou du dessus de la carafe.	La carafe est mal placée.	Assurez-vous que l'ouverture sur la carafe s'aligne avec le dessous de l'entonnoir.
Le café s'écoule trop lentement ou déborde de l'entonnoir.	La mouture de café est trop fine.	Utilisez une mouture plus grosse.
	Le filtre en nylon est sale.	Nettoyez le filtre de nylon avec de l'eau propre.
Présence de résidus dans le fond de la carafe.	La mouture de café est trop fine.	Utilisez une mouture plus grosse.
	Le filtre en nylon est sale.	Nettoyez le filtre de nylon avec de l'eau propre.
La cafetière ne fait pas de café.	Le réchaud peut surchauffer ce qui éteint l'appareil.	Essayez de nouveau dans quelques minutes. Si elle ne fonctionne toujours pas, appelez le service à la clientèle.
	Pas assez d'eau	Ajoutez de l'eau dans le réservoir d'eau.



GARANTIE LIMITÉE

MC appliance corporation garantit que toutes les nouvelles Cafetière ne présentent aucun défaut matériel ou de main-d'oeuvre et accepte de remédier à ces défauts ou de fournir des nouvelles pièce(s), à la discrétion de la compagnie, pour toute pièce(s) de l'appareil qui fait défaut durant la période de garantie. Les pièces et la main-d'oeuvre de cet appareil sont garanties pendant une période d'un an depuis la date d'achat. Une copie avec la date du reçu de vente ou de la facture est nécessaire pour recevoir un remplacement, un remboursement ou la réparation sous garantie.

Cette garantie s'applique aux appareils utilisés aux États-Unis contigus, Alaska, Hawaii et Puerto Rico. Cette garantie ne s'applique pas aux cas suivants :

- Les dommages causés par la manutention ou une mauvaise installation.
- Les dommages dus à une mauvaise utilisation ou une utilisation abusive.
- La perte de contenu dû à une défaillance de l'appareil.
- Les réparations faites par un agent non autorisé.
- Les appels de services qui ne concernent pas les défauts de matériel ou de main-d'oeuvre comme des instructions sur l'installation appropriée de ce produit ou sa mauvaise installation.
- Le remplacement ou le réarmage d'un disjoncteur ou de fusibles.
- La défaillance du produit s'il est utilisé pour d'autres raisons que sa raison de conception.
- Les couts de récupération de tout appareil défectueux qui n'est pas renvoyé à l'usine.
- Tous les couts d'installation/de livraison encourus par un appareil qui ne fonctionne pas selon les spécifications.
- Les dépenses de transport ou manutention pour la réparation si votre produit est situé dans une zone éloignée où les services d'un technicien autorisé ne sont pas disponibles.
- Enlever ou réinstaller votre appareil s'il est installé dans un endroit inaccessible ou s'il n'est pas installé selon les instructions d'installation publiées.
- Les remboursements pour les produits non réparables se limitent au prix payé pour l'appareil sur le reçu de vente.
- Cette garantie n'est pas transférable. Cette garantie ne s'applique qu'à propriétaire original et ne s'étend pas au propriétaire(s) subséquent(s).

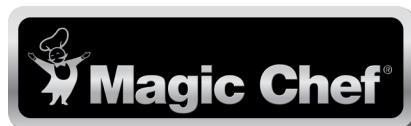
LIMITES DES RECOURS ET EXCLUSIONS:

La réparation du produit selon les termes ci-inclus est votre seul recours durant la garantie limitée. Toutes garanties implicites incluant la qualité marchande et la bonne condition pour une utilisation particulière sont, par la présente, limitées à un an ou la plus courte période permise par la loi. MC Appliance Corporation n'est pas responsable des dommages accidentels ou consécutifs et aucun représentant ou personne n'est autorisé à assumer en notre nom toute autre responsabilité en lien avec la vente de ce produit. En aucun cas le consommateur n'est-il autorisé à retourner cet appareil à l'usine sans autorisation préalable de MC Appliance Corporation.

Certains États interdisent les exclusions ou limites sur les dommages accidentels ou consécutifs ou les limites sur les garanties implicites. Cette garantie vous donne des droits légaux spécifiques et vous pourriez avoir d'autres droits qui peuvent varier d'un État à l'autre.

Modèle	Pièces	Main-d'oeuvre	Type de service
MCL12CMRT	Un an	Un an	Retour

Pour de l'aide ou du service, veuillez appelez **888-775-0202** ou visitez notre site web au **www.mcpliance.com** pour demander une réparation sous garantie ou commander des pièces.



**CNA International, Inc. d/b/a MC Appliance Corporation. Tous droits réservés.
Le logotype Magic Chef® est une marque de commerciale de CNA International Inc.**

www.mcappliance.com

Imprimé en Chine