



L Series

INSTALLATION GUIDE



← Visit www.haikuhome.com/service to watch videos of the installation process.

Installation Guide

<i>Topic</i>	<i>Page</i>
Technical Specifications	2
Tools Needed	2
Parts	3
Hardware	4
Prepare the Fan Site	5
Install Your Fan	6

READ AND SAVE THESE INSTRUCTIONS

⚠️ Disconnect power to the fan location before installing the fan! Do not use the fan with a dimmer switch!

⚠️ If required by your local electrical code, a licensed electrician must install the fan.

Technical Specifications

Model	Operating voltage	Diameter	Weight	Operating frequency
L3127-X5	120 VAC, 1 Φ	52 in. (132 cm)	11 lb (5 kg)	60 Hz

Tools Needed

- Ladder
- Wire Strippers
- Phillips Screwdriver (provided)
- Hex Key (provided)
- Wrenches (provided)

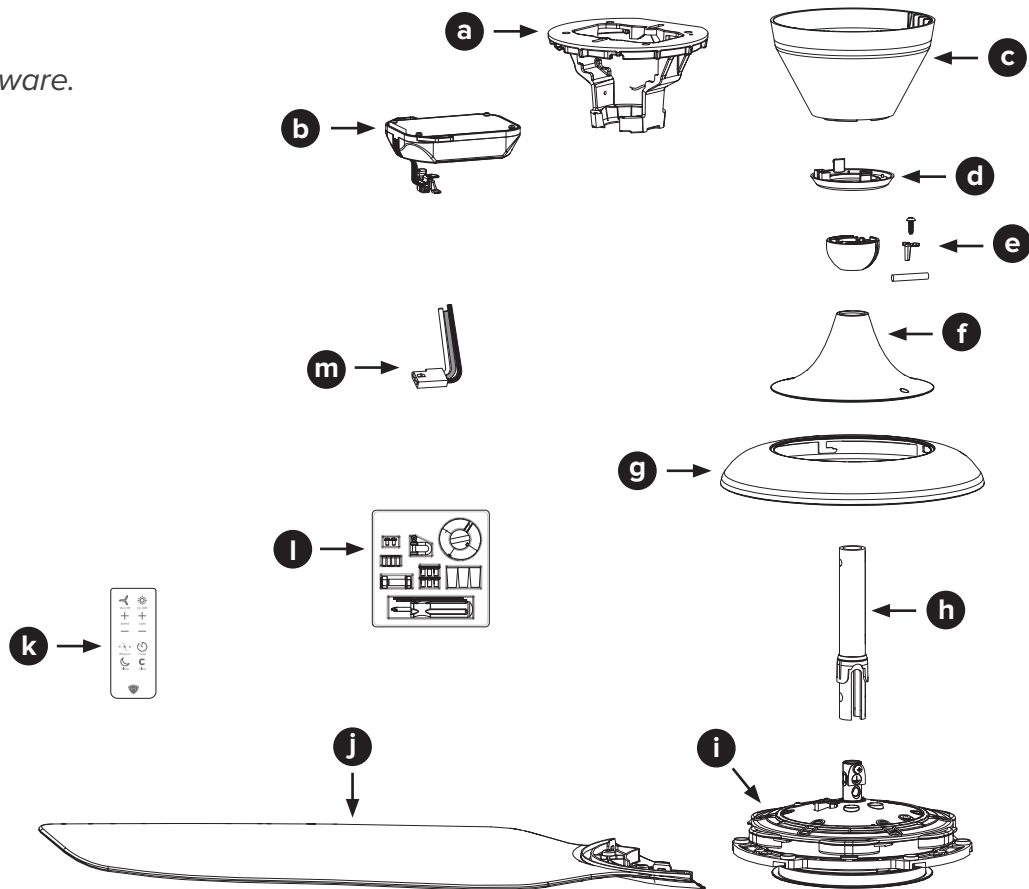
Box Contents

As you remove the fan from its packaging, make sure you are not missing any components required for assembly and operation. If you ordered multiple fans, be sure to keep the components of each fan together!

PARTS

See the following page for hardware.

- a** Mounting Bracket
- b** Control Box
- c** Wiring Cover
- d** LED Diffuser Ring
- e** Mounting Ball & Hardware†
- f** Lower Cover Trim
- g** Lower Cover Ring
- h** Extension Tube**
- i** Motor Unit
- j** (3) Airfoils
- k** Remote Control
- l** Hardware Pack
- m** Wiring Harness***



† See Hardware page

** Two lengths provided

*** Packaged with control box

HARDWARE

Hardware and tools needed for installation are packaged in the hardware pack. *Hardware below shown at actual size.*

Airfoil Hardware



(6) M5 Screws with Tooth Washer

Lower Cover Hardware



White

or



Black

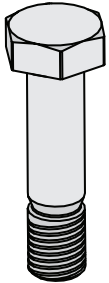
(2) Painted M3.5 Screws

Wiring Cover Hardware

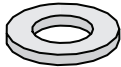


(4) M4 Socket Head Cap Screws

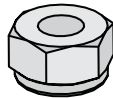
Mounting Hardware



M8 Bolt

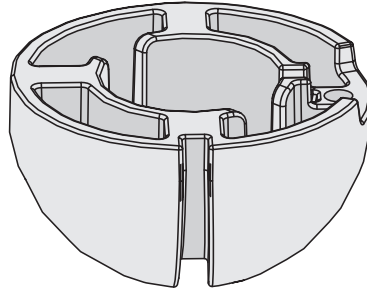


M8 Washer



M8 Nylock Nut

Mounting Ball & Hardware



Mounting Ball



Wedge



4 mm Self-Tapping
Screw



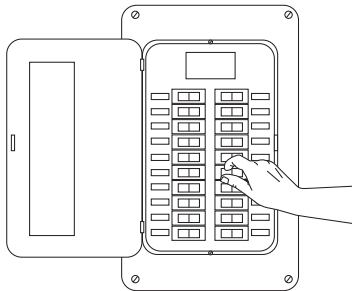
Steel Pin

1 PREPARE THE FAN SITE



Installation requires basic electrical knowledge. Contact a licensed electrician if you are uncomfortable performing electrical work!

1 Disconnect Power!



Disconnect power to the fan location before wiring fan!

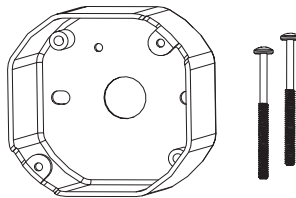


A means for disconnection must be incorporated in the fixed wiring in accordance with the wiring rules.

2 Outlet Box

If you are installing your fan to an outlet box, it must be *suitable for fan support*.

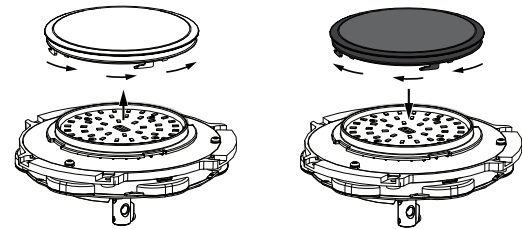
If there is not an outlet box at the fan location, install one on a ceiling joist or beam.



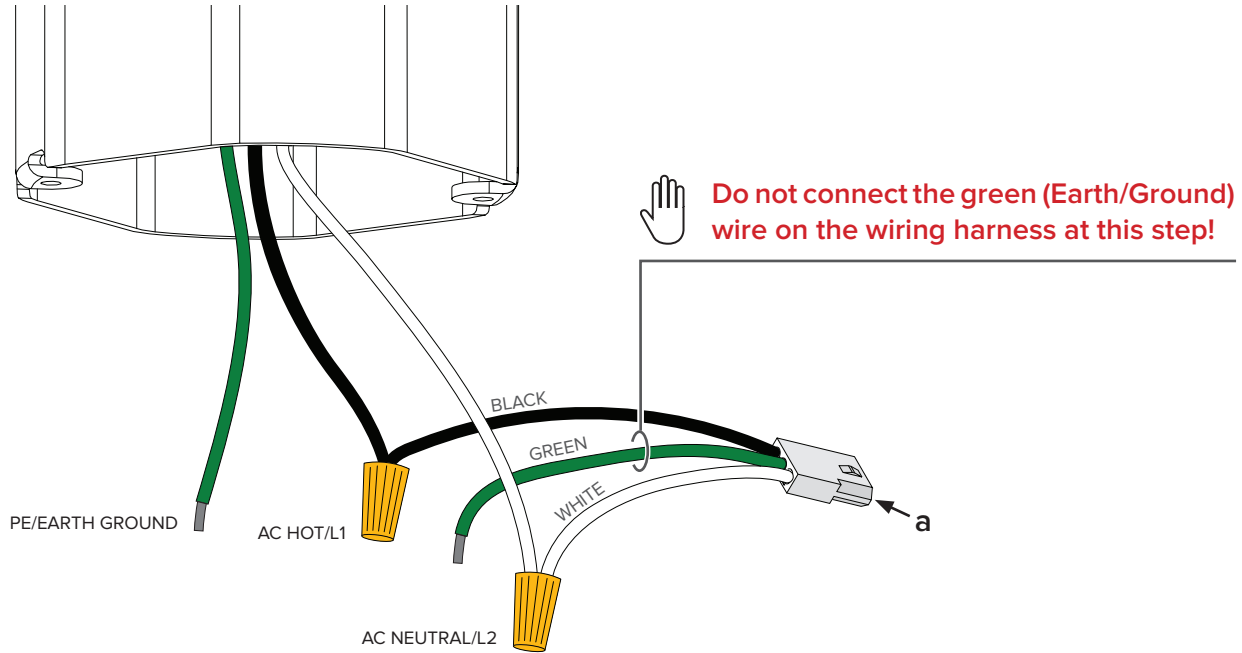
3 Black Fans Only

For softer lighting, remove the white lens and install the smoky lens before attaching the airfoils.

1. Twist to uninstall white lens.
2. Twist smoky lens to lock in place.



2 CONNECT THE WIRING HARNESS

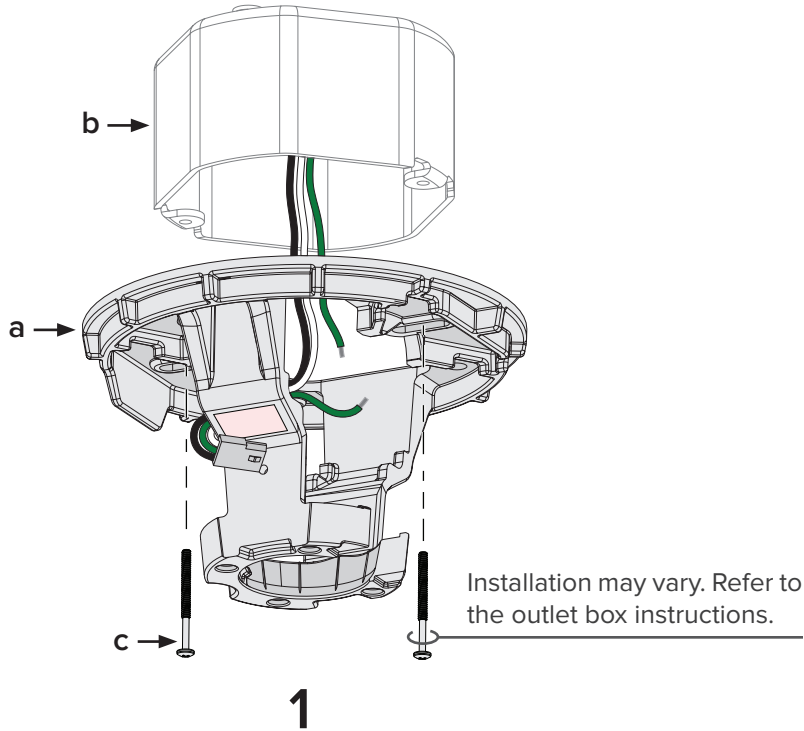


- ⚠ **Make sure power is disconnected before wiring the fan!**
 - ⚠ **Do not connect the fan to a damaged power source! Do not attempt to resolve electrical failures on your own. Consult a qualified electrician if uncertain of the electrical installation of this fan.**
- 1 Make the electrical connections by securing the supply power wires to the loose ends of the wiring harness (a) with the provided wire nuts.
 - 2 Test the connection by lightly tugging on the wires. ***Do not connect the green (Earth/Ground) wire on the harness at this step!***
 - 3 Tuck the power wiring and wire nuts into the outlet box so that only the harness and the supply Earth/Ground wire hang through.

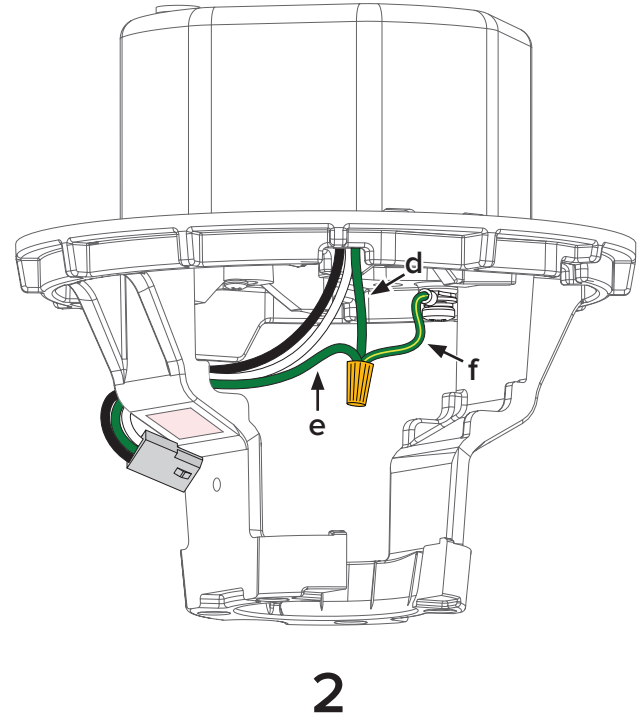
	AC Hot/L1 Black	AC Neutral/L2 White	PE/Earth Ground Green
North America 100–120 V system	Black	White	Green or Bare Copper
All other regions	Brown	Blue	Green with Yellow Tracer

3 INSTALL THE MOUNTING BRACKET

ATTACH MOUNTING BRACKET



CONNECT EARTH/GROUND WIRES



⚠ Make sure power is disconnected before installing the mounting bracket!

- 1 Secure the mounting bracket (a) to the outlet box (b) with the screws supplied with the outlet box (c).

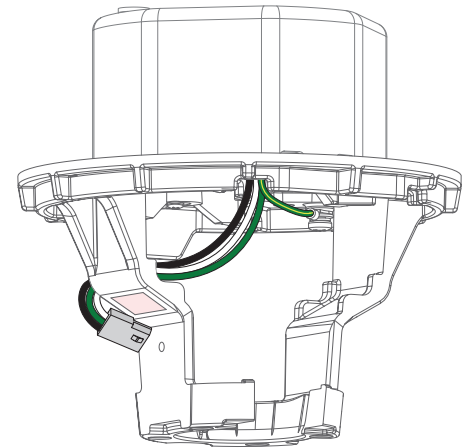
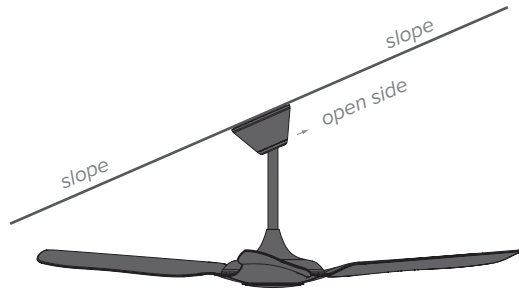
Outlet Box Hardware:

c. Screw (supplied with outlet box)

- 2 Use a wire nut to secure the supply ground wire (d) to the ground wires from the wiring harness (e) and the mounting bracket (f). Tuck the wiring and wire nuts into the junction box so that only the wiring harness hangs through.

Sloped Ceilings

If mounting to a sloped ceiling, install the mounting bracket so that the open side faces upward with the slope.



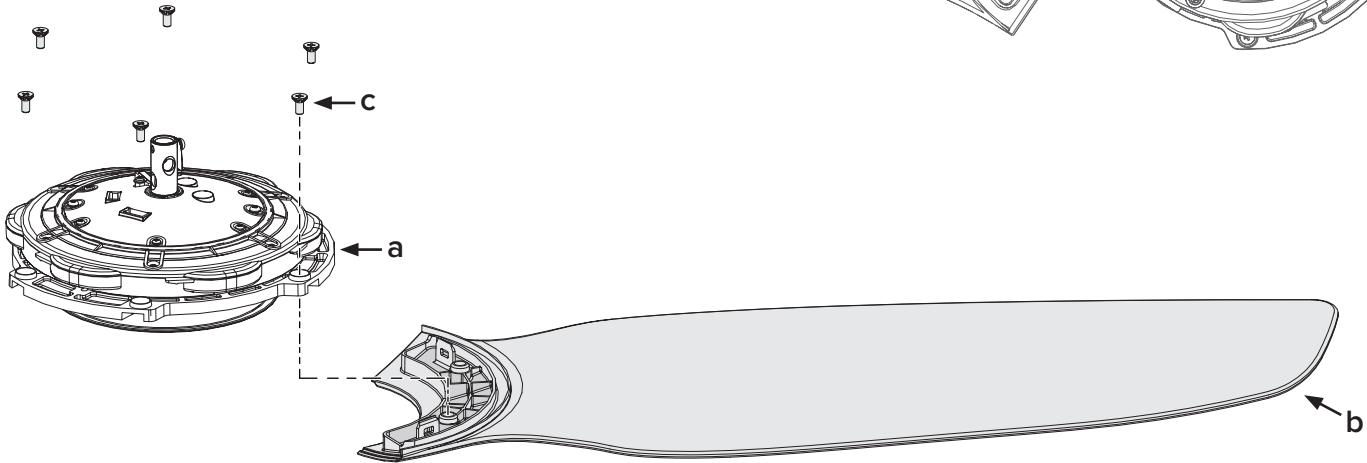
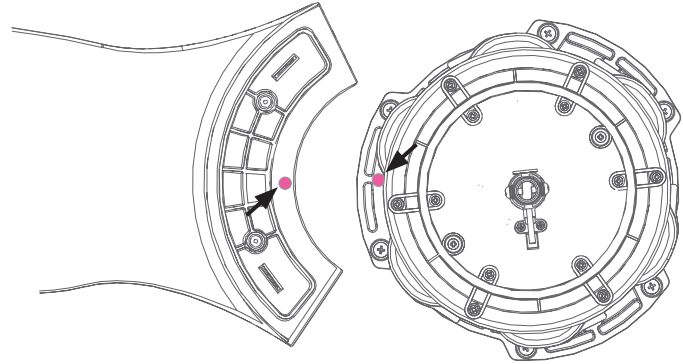
STEP COMPLETED

4

INSTALL THE AIRFOILS



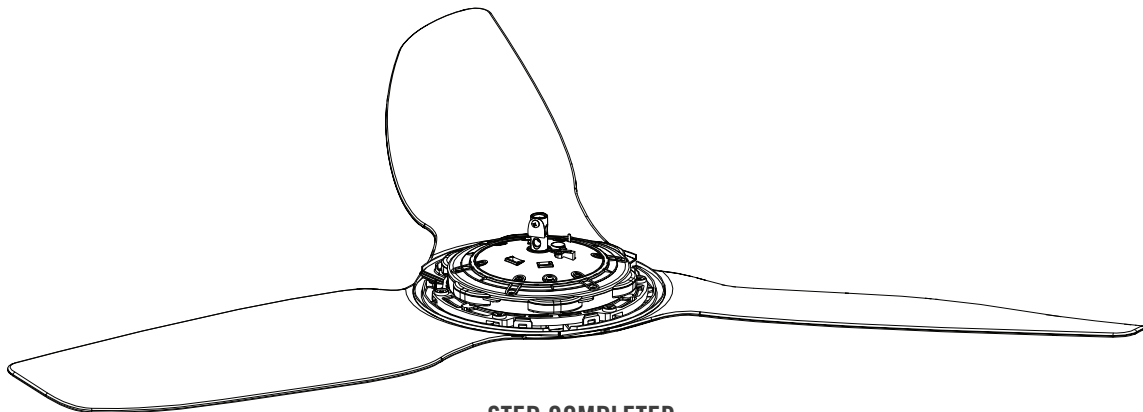
Make sure the stickers on the airfoils match the stickers on the fan hub!



Rest the motor assembly (a) on your lap. Moving clockwise, install each airfoil (b) with the provided hardware. Securely tighten the screws.

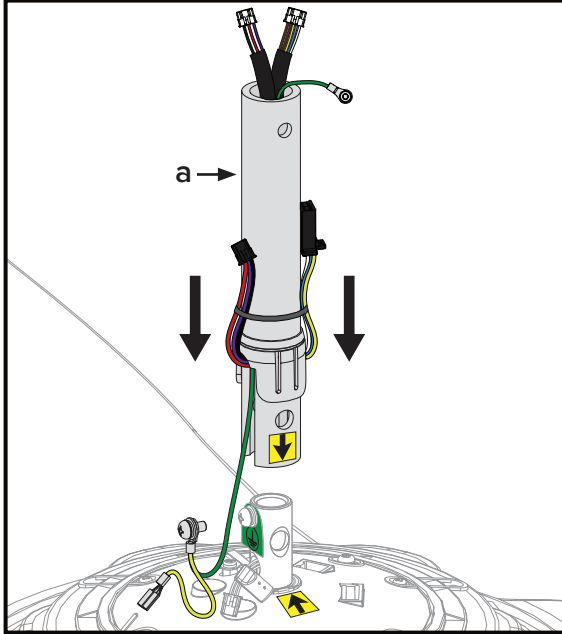
Airfoil Hardware:

c. (6) M5 screws with tooth washer



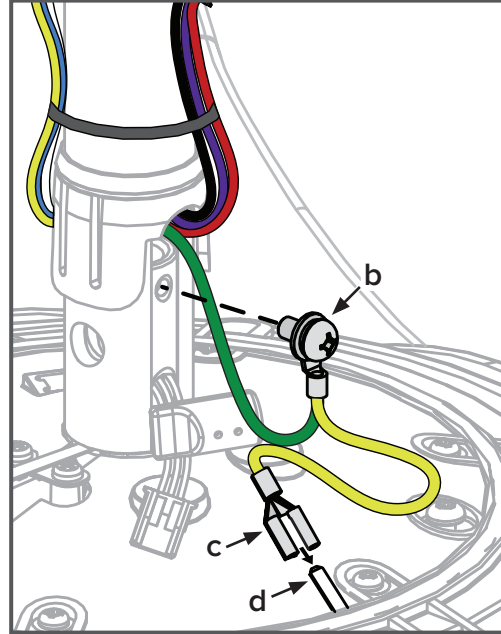
5 INSTALL THE LOWER EARTH/GROUND WIRE

POSITION EXTENSION TUBE



1

SECURE EARTH/GROUND WIRE



2

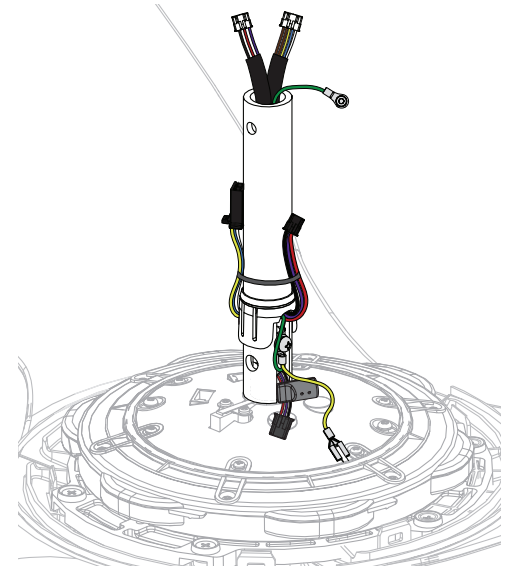
- 1 Lower the extension tube (a) onto the motor shaft. Ensure the yellow arrow sticker on the extension tube is aligned with the sticker on the motor.
- 2 Remove the screw and ground tag from the motor shaft. Secure the Earth/Ground wire to the motor shaft with the captive screw (b). Connect the yellow Earth/Ground female spade connector (c) to the male connector (d) on the motor.



Safety Cable Installation

You may be required to secure the fan directly to the building structure if your local safety code requires it. Check your local code! Refer to the Safety Cable instructional sheet included with this guide for more information.

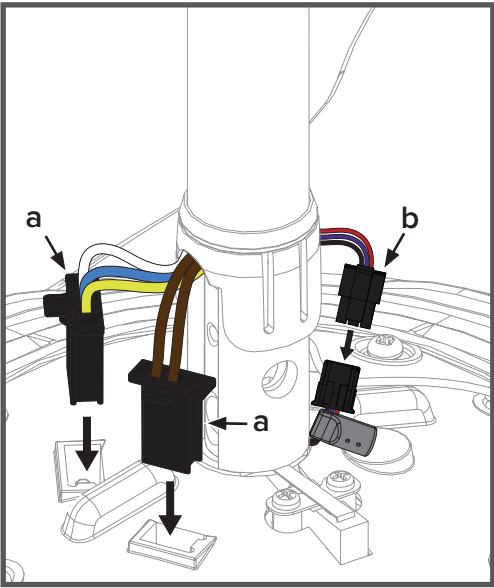
Acceptable building structures include a wooden beam or a metal mounting brace secured between two beams. In some cases it may be necessary to install additional structural material to provide attachment points.



STEP COMPLETED

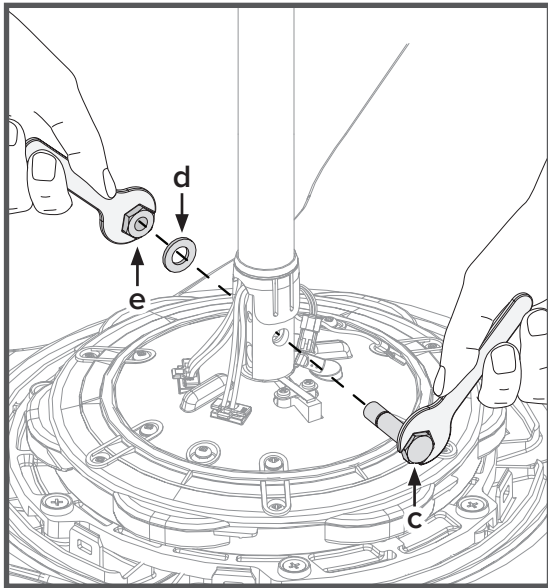
6 CONNECT MOTOR WIRING AND SECURE EXTENSION TUBE

INSTALL WIRING HARNESSSES



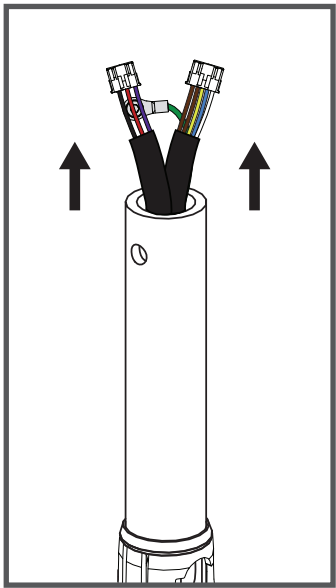
1

SECURE HARDWARE



2

REMOVE SLACK

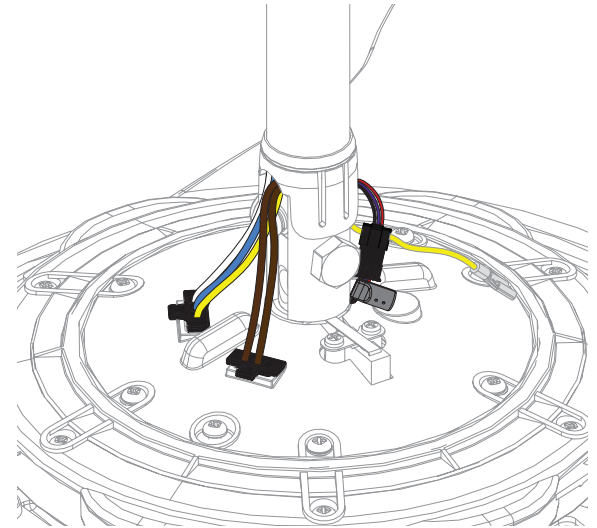
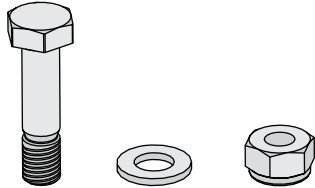


3

- 1 Remove the tie holding the wiring harnesses to the extension tube. Plug the two large wiring harnesses (a) into the receptacles on the motor. Plug the small, male wiring harness (b) into the female wiring harness from the motor shaft.
- 2 Align the bolt holes on the extension tube with the holes on the motor shaft, and then secure the tube with the provided hardware and wrenches.

Mounting Hardware:

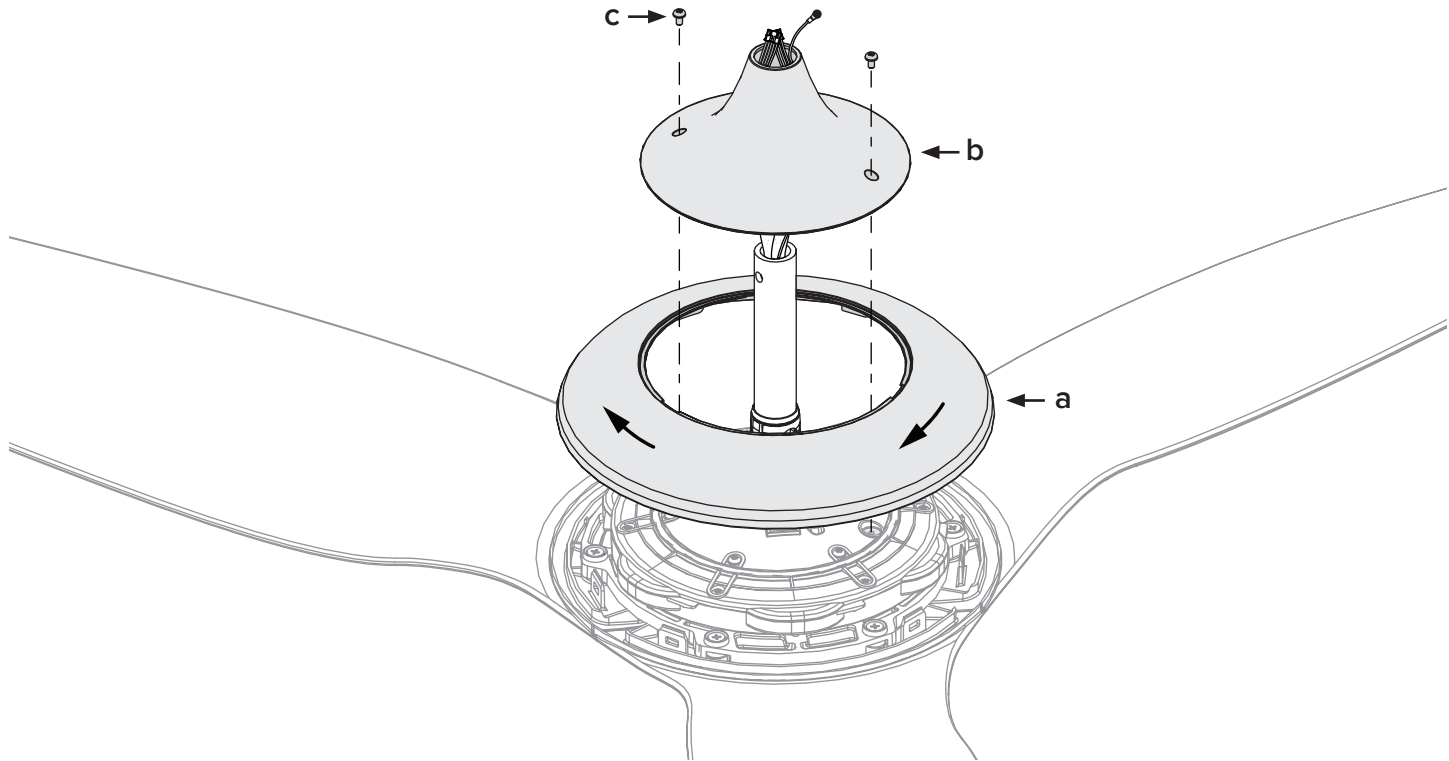
- c. M8 bolt
- d. M8 washer
- e. M8 nylock nut



- 3 To remove slack, gently tug on the cables at the top of the extension tube.

STEP COMPLETED

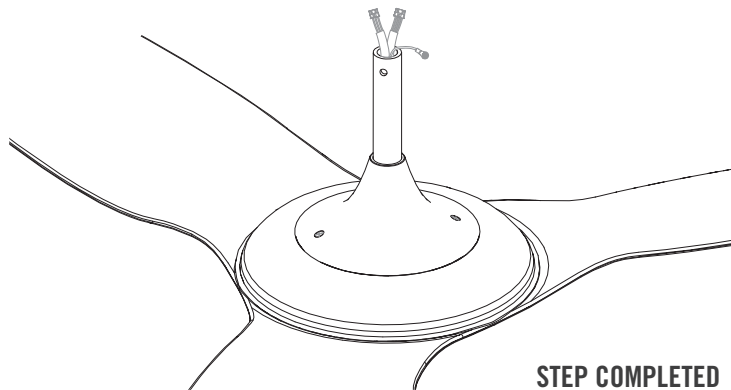
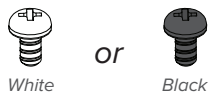
7 SECURE THE LOWER COVER



- 1 Place the lower cover ring (*a*) around the extension tube, resting it evenly on the motor. There should be a very small gap between the cover and the airfoils. Rotate the cover ring clockwise until it stops.
- 2 Thread the wires through the opening in the lower cover trim (*b*), and then slide the trim down the extension tube, resting it evenly on the cover ring.
- 3 Align the screw holes on the trim with the motor screw holes, and then secure the trim in place with the provided screws (*c*).

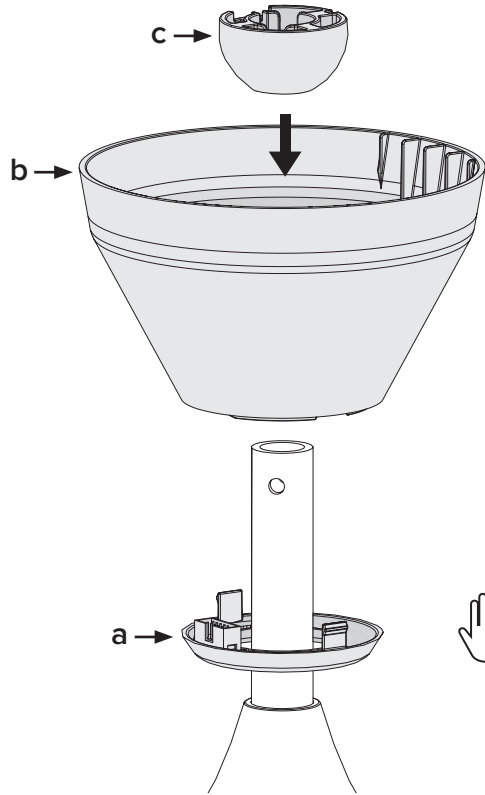
Lower Cover Hardware:

c. (2) Painted M3.5 screws



8

ARRANGE LED DIFFUSER RING, WIRING COVER, AND MOUNTING BALL

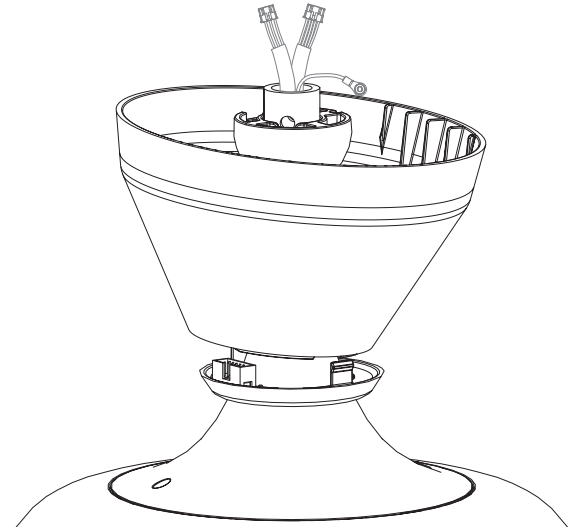


Do not seat the LED diffuser ring in the wiring cover at this step!



Do not seat the LED diffuser ring in the wiring cover at this step!

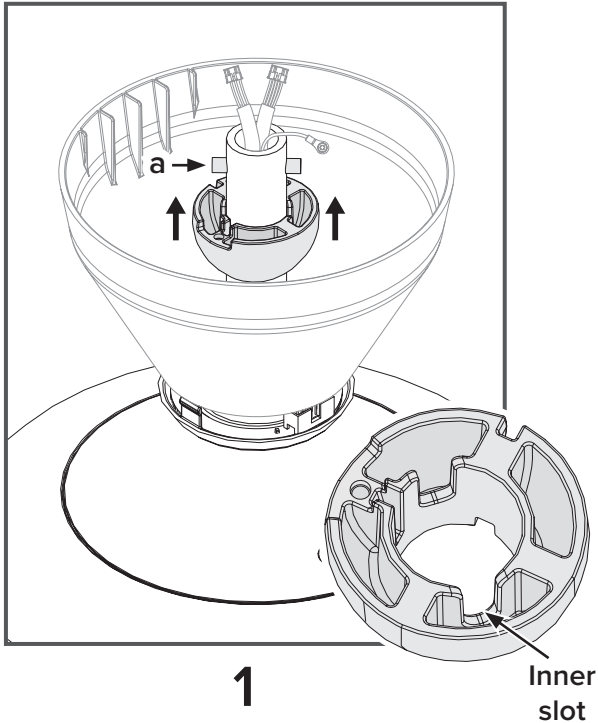
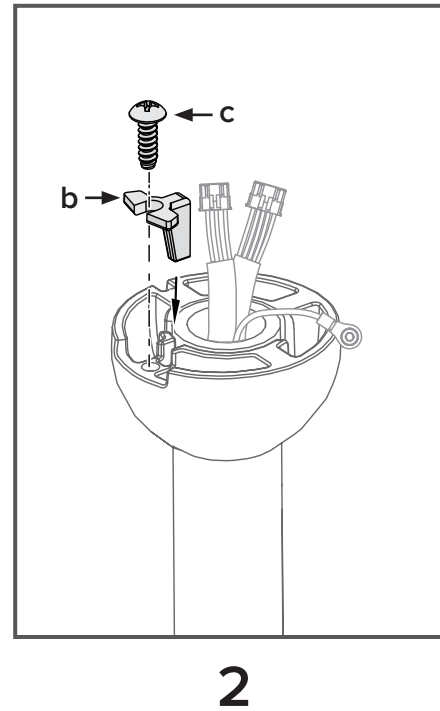
Slide the LED diffuser ring (a), wiring cover (b), and mounting ball (c) down the extension tube (in that order), resting them on the fan hub.



STEP COMPLETED

9

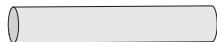
ATTACH THE MOUNTING BALL

SEAT MOUNTING BALL**INSTALL WEDGE**

- 1 Insert the steel pin (a) into the hole at the top of the extension tube, and then slide the mounting ball upward, seating the steel pin in the inner slots of the ball.

Mounting Ball Hardware:

a. Steel pin

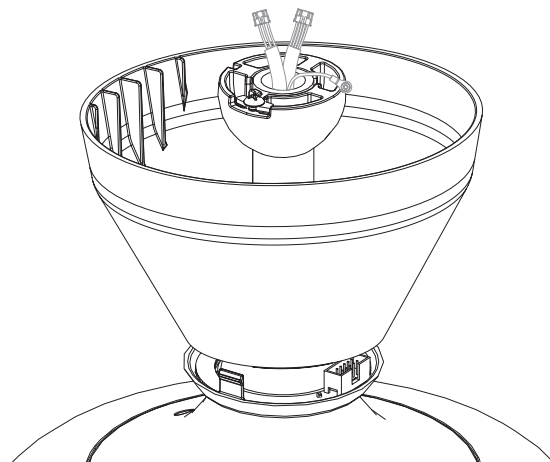
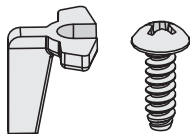


- 2 Insert the wedge (b) into the mounting ball as shown, and then secure the wedge with the screw (c). Tighten the screw enough to prevent movement between the mounting ball and extension tube. *Do not over-tighten the screw.*

Mounting Ball Hardware:

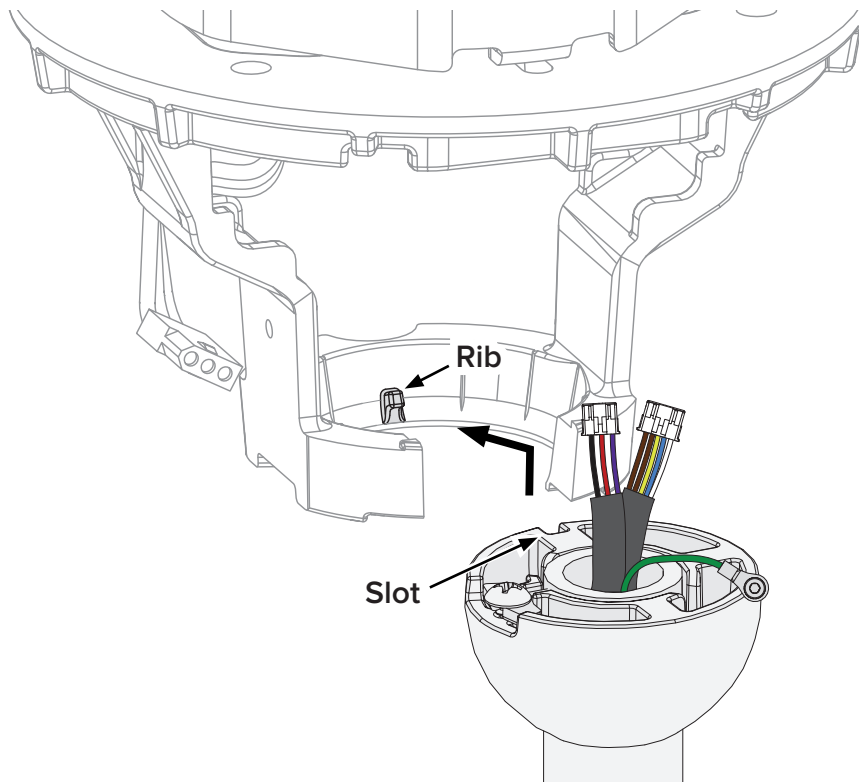
b. Wedge

c. 4 mm self-tapping screw

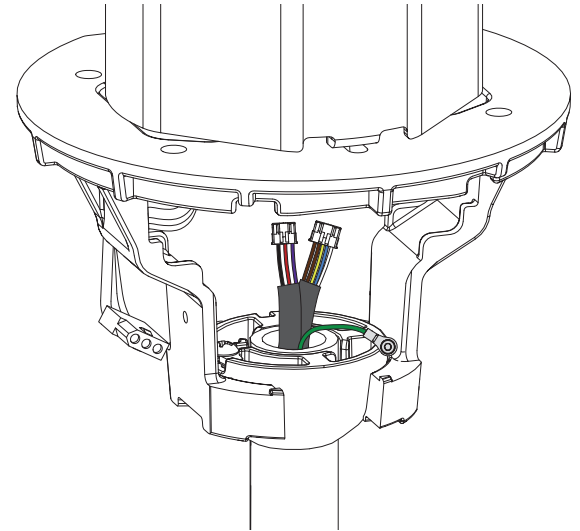


STEP COMPLETED

10 HANG THE FAN

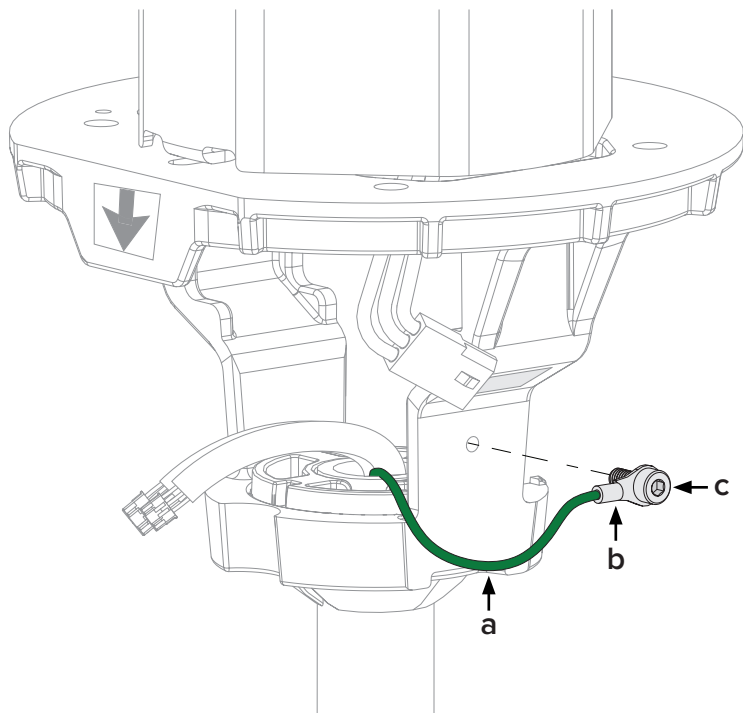


- 1** Raise the fan to the mounting bracket. Align the slot in the mounting ball with the rib in the mounting bracket, insert the mounting ball, and let the fan hang freely.
- 2** Gently twist the extension tube to ensure the mounting ball is properly seated and will not move during fan operation.



STEP COMPLETED

11 INSTALL THE UPPER EARTH/GROUND WIRE



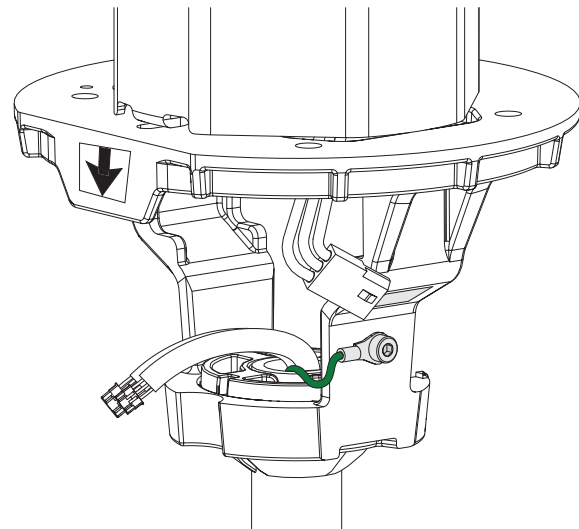
Route the ground wire from the extension tube (a) to the outside of the mounting bracket as illustrated. Secure the ground wire terminal (b) to the mounting bracket with the captive ground screw (c).



Safety Cable Installation

You may be required to secure the fan directly to the building structure if your local safety code requires it. Check your local code! Refer to the Safety Cable instructional sheet included with this guide for more information.

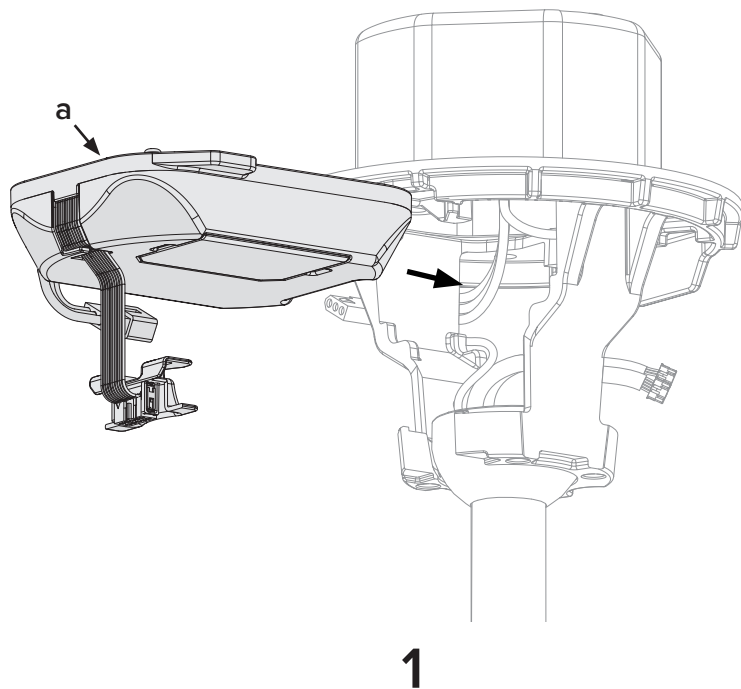
Acceptable building structures include a wooden beam or a metal mounting brace secured between two beams. In some cases it may be necessary to install additional structural material to provide attachment points.



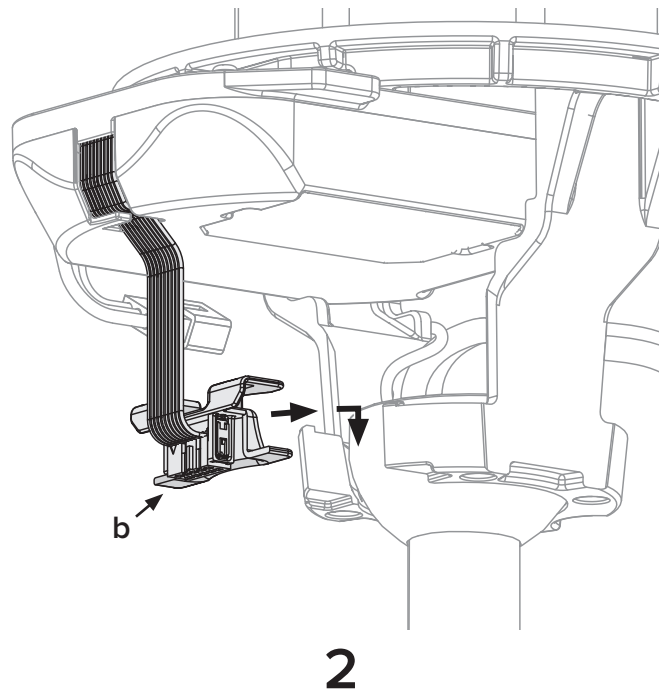
STEP COMPLETED

12 INSTALL THE CONTROL BOX

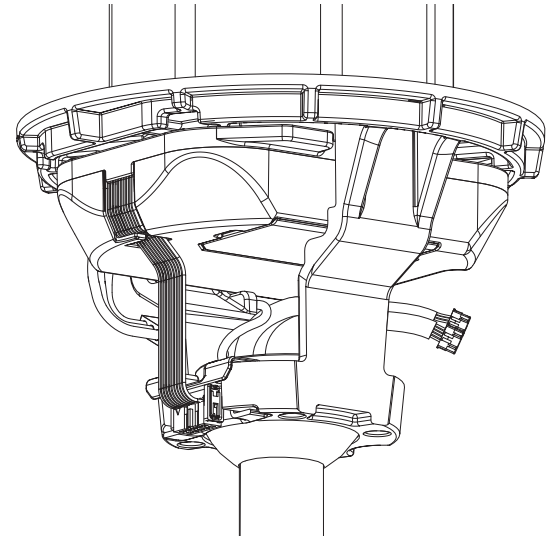
INSERT CONTROL BOX



SEAT LED INDICATOR



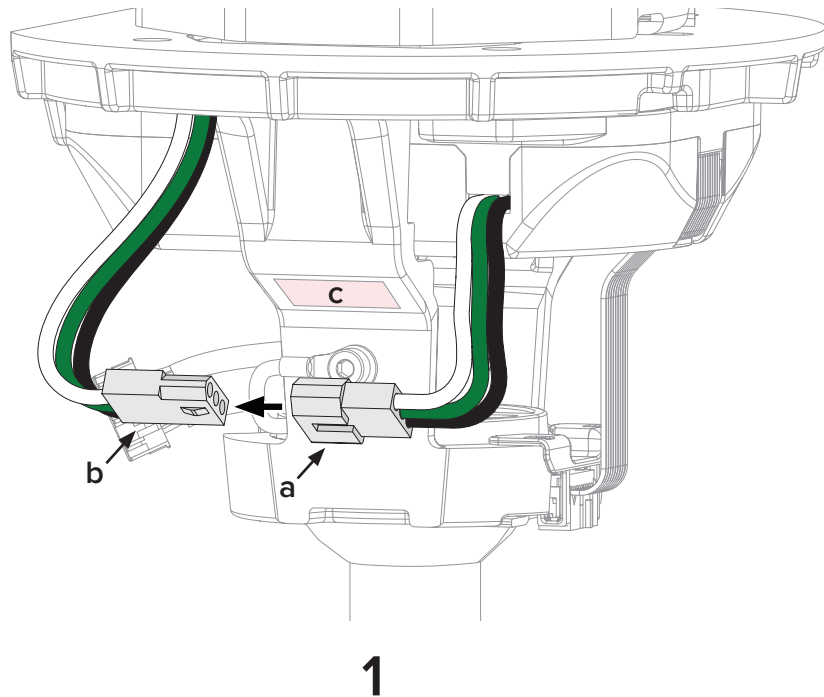
- 1** Insert the control box (a) into the mounting bracket as illustrated. ***Be careful not to pinch the wires between the mounting bracket and control box!***
- 2** Snap the LED indicator (b) into the gap in the mounting bracket. Make sure it is securely seated.



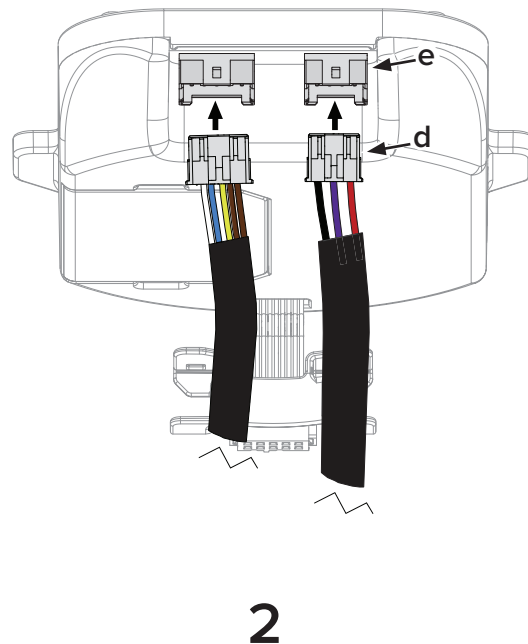
STEP COMPLETED

13 CONNECT THE CONTROL BOX

CONNECT SUPPLY POWER HARNESS



CONNECT WIRING HARNESSES

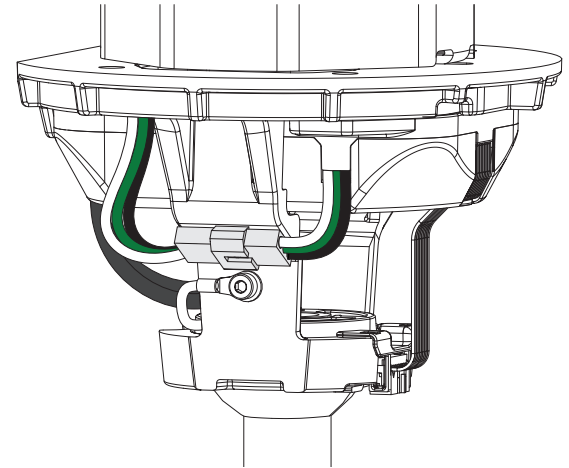


1 Connect the wiring harness from the control box (a) to the harness from the junction box (b).



Peel the backing off the double-sided tape (c) on the mounting bracket, and then affix the harnesses to the tape.

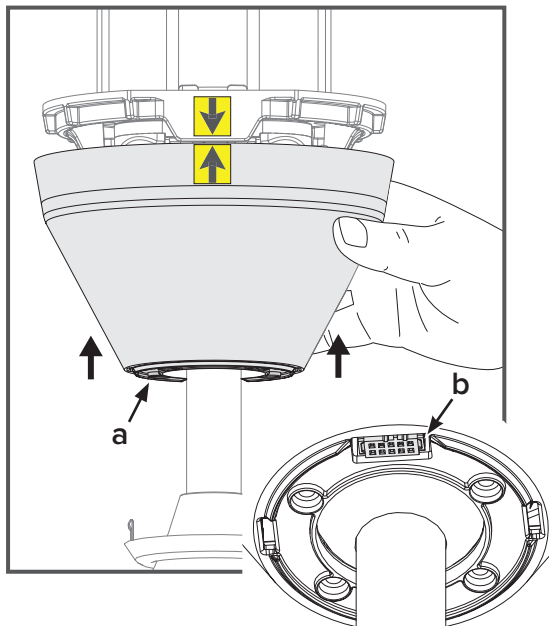
2 Connect the wiring harnesses from the extension tube (d) to the corresponding receptacles (e) on the control box.



STEP COMPLETED

14 INSTALL THE WIRING COVER

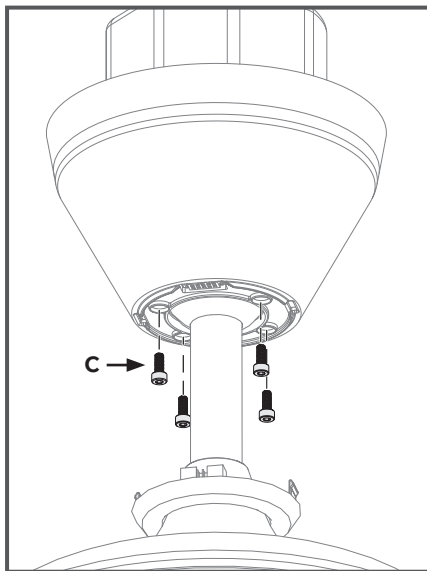
ALIGN WIRING COVER



1

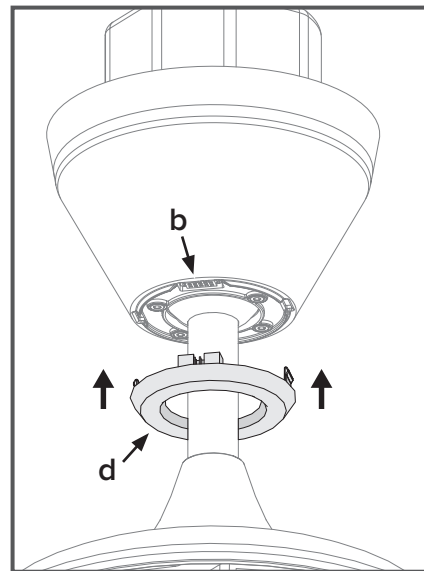
View from below

INSTALL SCREWS



2

INSTALL DIFFUSER RING

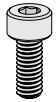


3

- 1 Slide the wiring cover (a) up the extension tube, aligning the yellow arrow stickers so that the top of the wiring cover sits flush with the mounting bracket. Make sure the LED indicator receptacle shows through the opening in the cover (b).
- 2 Make sure all wiring is tucked into the wiring cover, and then secure the cover with the provided screws (c).

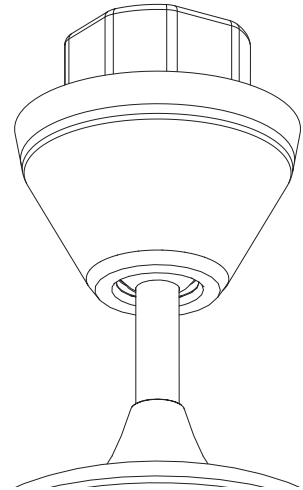
Wiring Cover Hardware:

c. (4) M4 socket head cap screws



- 3 Slide the LED diffuser ring (d) up the extension tube and plug the connector into the LED indicator receptacle through the opening (b) in the wiring cover.

Make sure the tabs on the diffuser ring are securely snapped in place.



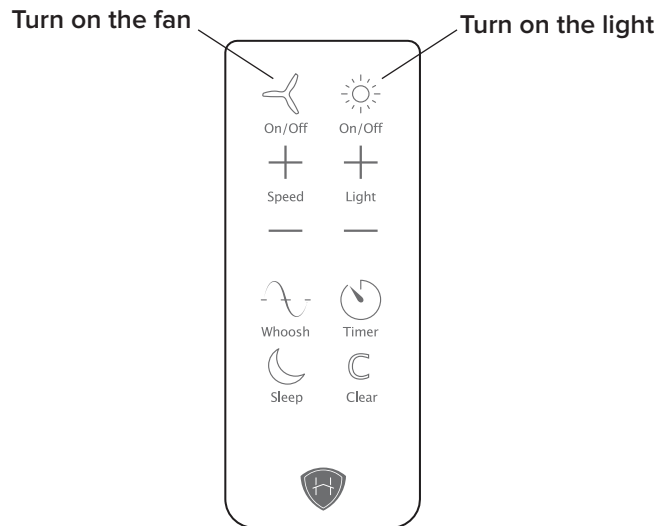
STEP COMPLETED

15 TEST THE FAN

Do not expose the remote control to rain or water.

Before using the remote control, remove the plastic tab from the battery tray.

Turn on power to the fan location and test functionality using the remote. Turn on the fan and test speed and light brightness.



© 2016 Haiku Home

The information contained in this document is subject to change without notice. May be protected by one or more patents listed at www.bigassolutions.com/patents

Haiku is a trademark of Delta T Corporation, registered in the U.S. and/or other countries.

