

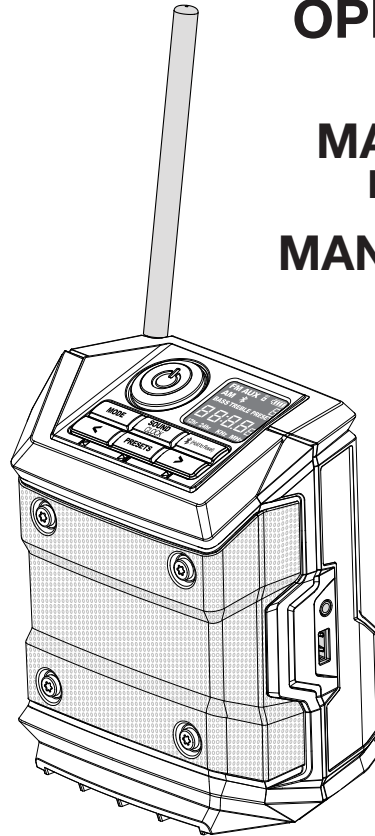


# OPERATOR'S MANUAL BLUETOOTH® RADIO

## MANUEL D'UTILISATION BLUETOOTH® POUR RADIO

## MANUAL DEL OPERADOR BLUETOOTH® PARA RADIO

R84086



To register your RIDGID product, please visit: <http://register.RIDGID.com>  
Pour enregistrer votre produit de RIDGID, s'il vous plaît la visite : <http://register.RIDGID.com>  
Para registrar su producto de RIDGID, por favor visita: <http://register.RIDGID.com>

### TABLE OF CONTENTS

\*\*\*\*\*

- Important Safety Instructions .....2-3
- Symbols..... 4
- Assembly .....5
- Operation.....5-8
- Maintenance .....8
- Illustrations .....10-12
- Parts Ordering/  
Service .....Back page

### TABLE DES MATIÈRES

\*\*\*\*\*

- Instructions importantes  
concernant la sécurité.....2-3
- Symboles..... 4
- Assemblage .....5
- Utilisation .....5-8
- Entretien .....8
- Illustrations .....10-12
- Commande de pièces/  
dépannage ..... Page arrière

### ÍNDICE DE CONTENIDO

\*\*\*\*\*

- Instrucciones de seguridad  
importantes .....2-3
- Símbolos ..... 4
- Armado .....5
- Funcionamiento .....5-8
- Mantenimiento .....8
- Ilustraciones .....10-12
- Pedidos de repuestos/  
servicio ..... Pág. posterior

#### **⚠ WARNING:**

To reduce the risk of injury, the user must read and understand the operator's manual before using this product.

#### **⚠ AVERTISSEMENT :**

Pour réduire les risques de blessures, l'utilisateur doit lire et veiller à bien comprendre le manuel d'utilisation avant d'utiliser ce produit.

#### **⚠ ADVERTENCIA:**

Para reducir el riesgo de lesiones, el usuario debe leer y comprender el manual del operador antes de usar este producto.

**SAVE THIS MANUAL  
FOR FUTURE REFERENCE**

**CONSERVER CE MANUEL  
POUR FUTURE RÉFÉRENCE**

**GUARDE ESTE MANUAL  
PARA FUTURAS CONSULTAS**

# IMPORTANT SAFETY INSTRUCTIONS

## WARNING!

**READ THESE INSTRUCTIONS.** Failure to follow all instructions listed below, may result in electric shock, fire and/or serious personal injury.

## READ THESE INSTRUCTIONS

## KEEP THESE INSTRUCTIONS

## HEED ALL WARNINGS

## FOLLOW ALL INSTRUCTIONS

- Clean only with dry cloth.
- Do not block any ventilation openings. Install in accordance with the manufacturer's instructions.
- Do not install near any heat sources such as radiators, heat registers, stoves, or other apparatus (including amplifiers) that produce heat.
- Only use attachments/accessories specified by the manufacturer.
- Refer all servicing to qualified service personnel. Servicing is required when the apparatus has been damaged in any way, such as power-supply cord or plug is damaged, liquid has been spilled or objects have fallen into the apparatus, the apparatus has been exposed to rain or moisture, does not operate normally, or has been dropped.
- Know your product. Read operator's manual carefully. Learn its applications and limitations, as well as the specific potential hazards related to this product. Following this rule will reduce the risk of electric shock, fire, or serious injury.
- Do not operate products in explosive atmospheres, such as in the presence of flammable liquids, gases, or dust. Products create sparks which may ignite the dust or fumes.
- Do not use this apparatus near water.

## ELECTRICAL SAFETY

- A battery operated product with integral batteries or a separate battery pack must be recharged only with the specified charger for the battery. A charger that may be suitable for one type of battery may create a risk of fire when used with another battery.
- Use battery operated product only with specifically designated battery pack. Use of any other batteries may create a risk of fire.
- For use with 18 V lithium-ion battery packs, see tool/appliance/battery pack/charger correlation supplement 988000-302.

## PERSONAL SAFETY

- Do not use on a ladder or unstable support. Stable footing on a solid surface enables better control of the product in unexpected situations.
- Do not use the radio to listen to music or other audio programs while operating machinery. Doing so may cause distractions that could result in serious personal injury.
- This radio is capable of producing sound levels that can be dangerous to long-term hearing. Listening to music at high volume for any period of time may cause noise-induced hearing loss. The higher the volume, the less time required before your hearing may be affected.

## PRODUCT USE AND CARE

- When battery pack is not in use, keep it away from other metal objects like: paper clips, coins, keys, nails, screws, or other small metal objects that can make a connection from one terminal to another. Shorting the battery terminals together may cause sparks, burns, or a fire.
- Keep the radio and its handle dry, clean and free from oil and grease. Always use a clean cloth when cleaning. Never use brake fluids, gasoline, petroleum-based products, or any strong solvents to clean the radio. Following this rule will reduce the risk of loss of control and deterioration of the enclosure plastic.
- Battery products do not have to be plugged into an electrical outlet; therefore, they are always in operating condition. Be aware of possible hazards when not using your battery product or when changing accessories. Following this rule will reduce the risk of electric shock, fire, or serious personal injury.
- Do not place battery products or their batteries near fire or heat. This will reduce the risk of explosion and possibly injury.
- Do not crush, drop or damage battery pack. Do not use a battery pack or charger that has been dropped or received a sharp blow. A damaged battery is subject to explosion. Properly dispose of a dropped or damaged battery immediately.
- Batteries can explode in the presence of a source of ignition, such as a pilot light. To reduce the risk of serious personal injury, never use any cordless product in the presence of open flame. An exploded battery can propel debris and chemicals. If exposed, flush with water immediately.
- Do not charge battery tool in a damp or wet location. Do not use, store, or charge battery packs or products in locations where the temperature is less than 50°F or more than 100°F. Do not store outside or in vehicles.

# IMPORTANT SAFETY INSTRUCTIONS

---




- Under extreme usage or temperature conditions, battery leakage may occur. If liquid comes in contact with your skin, wash immediately with soap and water. If liquid gets into your eyes, flush them with clean water for at least 10 minutes, then seek immediate medical attention. Following this rule will reduce the risk of serious personal injury.
- To reduce the risk of personal injury and electric shock, the product should not be played with or placed where small children can reach it.

## SERVICE







- When servicing a product, use only identical replacement parts. Follow instructions in the Maintenance section of this manual. Use of unauthorized parts or failure to follow Maintenance instructions may create a risk of shock or injury.
- Save these instructions. Refer to them frequently and use them to instruct others who may use this product. If you loan someone this product, loan them these instructions also.

# SYMBOLS

The following signal words and meanings are intended to explain the levels of risk associated with this product.

SYMBOL	SIGNAL	MEANING
	<b>DANGER:</b>	Indicates a hazardous situation, which, if not avoided, will result in death or serious injury.
	<b>WARNING:</b>	Indicates a hazardous situation, which, if not avoided, could result in death or serious injury.
	<b>CAUTION:</b>	Indicates a hazardous situation, that, if not avoided, may result in minor or moderate injury.
	<b>NOTICE:</b>	(Without Safety Alert Symbol) Indicates information considered important, but not related to a potential injury (e.g. messages relating to property damage).

Some of the following symbols may be used on this product. Please study them and learn their meaning. Proper interpretation of these symbols will allow you to operate the product better and safer.

SYMBOL	NAME	DESIGNATION/EXPLANATION
	Safety Alert	Indicates a potential personal injury hazard.
	Read Operator's Manual	To reduce the risk of injury, user must read and understand operator's manual before using this product.
	Eye Protection	Always wear eye protection with side shields marked to comply with ANSI Z87.1.
	Electric Shock Alert	Indicates uninsulated material within the unit that may cause electrical shock. Do not remove product covering.
	Wet Conditions Alert	Do not expose to rain or use in damp locations.
	Recycle Symbol	This product uses lithium-ion (Li-ion) batteries. Local, state, or federal laws may prohibit disposal of batteries in ordinary trash. Consult your local waste authority for information regarding available recycling and/or disposal options.
V	Volts	Voltage
A	Amperes	Current
Hz	Hertz	Frequency (cycles per second)
W	Watt	Power
min	Minutes	Time
—	Direct Current	Type or a characteristic of current



# ASSEMBLY

---

## **WARNING:**

Do not use this product if it is not completely assembled or if any parts appear to be missing or damaged. Use of a product that is not properly and completely assembled or with damaged or missing parts could result in serious personal injury.

---

## **WARNING:**

Do not attempt to modify this product or create accessories or attachments not recommended for use with this product. Any such alteration or modification is misuse and could result in a hazardous condition leading to possible serious personal injury.

---

If any parts are damaged or missing, please call 1-866-539-1710 for assistance.

# OPERATION

---

## **WARNING:**

Do not allow familiarity with this product to make you careless. Remember that a careless fraction of a second is sufficient to inflict serious injury.

---

## **WARNING:**

Always remove battery pack from the product when you are assembling parts, making adjustments, cleaning, or when not in use. Removing battery pack will prevent accidental starting that could cause serious personal injury.

---

## **WARNING:**

The radio is not waterproof. Do not submerge in liquid. Failure to heed this warning could result in serious personal injury.

---

## **NOTICE:**

Always refer to the manual for any device recommended for use as an attachment or accessory. Proper use of any device, when attached to the radio, is the sole responsibility of the operator. Improper use may damage the device or the product.

---

## **APPLICATIONS**

You may use this product for the following purposes:

- Listening to AM/FM radio, BT audio streaming, auxiliary audio input, charging USB-capable devices up to 1 Amp

## **REPLACING CLOCK/MEMORY AAA BATTERIES**

*See Figure 1, page 11.*

Two AAA batteries are preinstalled in the radio. Before first use, locate and remove the pull tab to activate the batteries. It is advisable to write down frequency presets before replacing the AAA batteries.

There is a 15-second time frame for replacing the AAA batteries. If the batteries are not replaced within 15 seconds, the radio will lose all settings previously stored in memory, and they will require reprogramming.

Always use new alkaline batteries for replacement.

- Loosen the screw in the battery door. Remove door and set aside.
- Install two new AAA batteries according to polarity indicators inside the battery compartment.
- Replace the battery door and tighten screw to secure.

## **INSTALLING/REMOVING BATTERY PACK**

*See Figure 2, page 11.*

### **To install battery pack:**

- Align the ribs on the battery pack with the grooves in the radio's battery port and place the battery pack in the radio as shown.
- Make sure the latches on the battery pack snap into place and the battery pack is secured to the radio before beginning operation.

**NOTE:** Leaving the battery pack connected for long periods of time will drain the battery pack. Always disconnect battery pack after use.

### **To remove battery pack:**

- Depress the latches on both sides to release the battery pack from the radio.

**NOTE:** Always remove battery pack from radio when not in use.

# OPERATION

## FOLD-DOWN ROTATABLE FLEXIBLE ANTENNA

See Figure 3, page 11.

To improve radio reception, rotate the antenna or move the radio to a higher elevation. The antenna folds down and out of the way when not in use.

## LCD DISPLAY

See Figure 4, page 11.

**NOTE:** The illustrations of the LCD display shown in this manual are only examples of the frequencies you may see on your radio and are not the exact frequencies that you may choose to listen to.

When the radio is not connected to a power supply, the LCD display will remain off. If the radio is connected to a power supply and in the **ON** position, LEDs will light the display. You can view the time, frequency, and settings in use on the LCD display.

**NOTE:** Always disconnect battery packs after use to prevent draining the battery pack.

## ON/OFF/VOLUME

See Figure 4, page 11.

Push the **ON/OFF/VOLUME** knob to turn the radio ON or OFF.

**NOTE:** You may need to keep the button pressed for up to 3 seconds before the radio will start. If this happens, replace the radio's AAA batteries.

**To increase the volume:** turn the **ON/OFF/VOLUME** knob clockwise.

**To decrease the volume:** turn the **ON/OFF/VOLUME** knob counterclockwise.

To help preserve battery power, the radio will automatically enter sleep mode approximately 1 hour after it is turned off. To exit sleep mode and restart the radio, you must use the **ON/OFF/VOLUME** knob on the radio.

## SETTING THE CLOCK

See Figure 4, page 11.

When the time is set, it will appear on the LCD display by default whenever the radio is on. To set the clock:

- Press the **CLOCK** button and hold for 3 seconds until clock begins to blink.
- Press and release the **CLOCK** button to scroll through the hour, minute, and 12-hour/24-hour settings.
- While each setting is highlighted, use the volume knob or arrow buttons to adjust as desired.
- Once the desired time and 12-hour/24-hour setting has been entered, press the **CLOCK** button again to set.

## MODE SELECTION

See Figure 4, page 11.

Press the **MODE** button to cycle through available modes. There are four modes to choose from:

- FM mode
- AM mode
- AUX: For the 3.5 mm input jack
- BLUETOOTH®: Listening to audio from BLUETOOTH® capable devices

**NOTE:** This mode can also be accessed directly by using the **↔** button.

When turned on, the radio will return to the last mode that was used if the battery pack was not disconnected. In the event all power is lost to the radio, the display will default to FM mode.

## AM/FM TUNING

See Figure 4, page 11.

The left and right arrow buttons and the **MODE** button are used to tune to the desired radio frequency. The selected frequency is displayed on the LCD.

- Press the **MODE** button until **AM** or **FM** appears.
- Press and release the left arrow button to tune to a lower frequency. Press and release the right arrow button to tune to a higher frequency.

Briefly push either button (not press and hold) to tune one frequency step at a time.

- To **SEEK**, press and hold desired arrow button for 3 seconds to tune to the next frequency with clear reception.
- To **SCAN**, press and hold both arrow buttons for 3 seconds to scan through all the frequencies with clear reception.

**NOTE:** When scanning, the radio will stop on frequencies with clear reception for three seconds before continuing to the next higher frequency.

Press **PRESETS** to stop scanning and select a frequency. If no frequency is selected, the radio will return to the frequency that was displayed when the scan was started.

## STORING A PRESET IN MEMORY

See Figure 4, page 11.

The memory feature saves up to 20 frequencies as presets in the radio's memory. You can save 10 frequencies in FM mode and 10 in AM mode.

**To store a frequency in memory:**

- Tune to the frequency you want to save.
- Press and hold the **PRESETS** button for 3 seconds. A memory location number will blink on and off.

# OPERATION

---

- Press either arrow button to scroll through the preset positions.
- Press the **PRESETS** button to store the frequency in the selected memory location.

## To recall a preset frequency:

- Press the **PRESETS** button and quickly release to cycle through stored frequencies.

## STONE SELECTION

See Figure 4, page 11.

- Press the **SOUND** button to enter **BASS** adjust mode.
- Adjust the bass setting using the volume knob or arrow buttons.
- Press the **SOUND** button to save the new bass setting and enter **TREBLE** adjust mode.
- Adjust the treble setting using the volume knob or arrow buttons.
- Press the **SOUND** button to save the new treble setting and return to original operating mode.

## STREAMING AUDIO USING A BLUETOOTH® ENABLED DEVICE (NOT INCLUDED)

See Figures 4 - 5, pages 11 - 12.

- Press the **⌘** button to enter BLUETOOTH® mode. You can also enter BLUETOOTH® mode by pressing the **MODE** button to cycle through available modes until **⌘** is highlighted.

**NOTE:** The radio will automatically attempt to connect to the last device it was paired to. If no device has been previously paired, **⌘** will automatically begin blinking.

- Set your device to search/scan for available BLUETOOTH® signals, then select "STRM-RIDGID Mini Radio" from the list. No password or PIN is required for connection.
- When the device has successfully paired with the radio, you will hear an audible tone and **⌘** will stop blinking.

**NOTE:** If the radio does not pair with your device, turn the power to the radio off, wait 5 seconds, then turn the power back on and start the pairing process again.

- When streaming audio from a BLUETOOTH® enabled device, press the arrow buttons on the radio to go to the previous or next track. Press the **PRESETS** button to cycle between pausing and playing the audio.

**NOTE:** These controls may not be supported by the BLUETOOTH® device and/or streaming application you are using.

- To reach maximum volume when controlling the sound using the radio's volume knob, make sure the volume on your device is also at the maximum setting.
- To disconnect the current device to allow connection to another BLUETOOTH® enabled device, press and hold the **⌘** button for 3 seconds. When **⌘** begins to blink, the radio is ready to pair.

## AUXILIARY MODE

See Figures 6 - 7, page 12.

The radio can be used as an amplifier for your MP3 player, CD player, smartphone, tablet, and other music devices.

## To use the auxiliary mode:

- Press the **MODE** button to select **AUX** mode.
- Connect the included auxiliary cable to your external device.
- Connect the other end of the auxiliary cable to the **AUX** jack located on the side of the radio.
- The external device must be ON and in PLAY mode for sound to be heard through the speakers.
- All external device controls can be used normally while connected to the radio.  
**NOTE:** Volume for any device connected through the auxiliary connector can be adjusted using the volume control for that device and/or with the volume knob on the radio.
- Turning the radio OFF will NOT turn the external device OFF.
- The auxiliary cable DOES NOT provide charging function.
- For complete operating instructions for all external devices, always refer to the manual that was included with your model.

## USB DEDICATED CHARGING PORT

See Figures 6 and 8, page 12.

The USB dedicated charging port provides charging power of up to 1 Amp for your cell phone, MP3 player, tablet, or other USB devices.

---

### **NOTICE:**

Attempting to charge devices rated more than 1 Amp could damage the USB dedicated charging port and/or the device.

---

- Connect one end of a USB cable (not provided) to your USB device.
- Connect the other end of the USB cable to the USB dedicated charging port to begin charging the device.  
**NOTE:** The USB dedicated charging port provides power only; it does not provide any communication capabilities.
- If the radio contains a charged battery pack, the USB dedicated charging port will continue to function for approximately 1 hour after turning the radio OFF. If the radio remains inactive after this time, charging will stop. Turn the radio on to resume operation.


# OPERATION

---

## USING THE RIDGID RADIO APP ON YOUR BLUETOOTH® ENABLED DEVICE

See Figure 9, page 12.

Installing the RIDGID Radio app on your BLUETOOTH® enabled device allows you to control many of the radio's functions from your device.

- From the App store on your BLUETOOTH® enabled device, locate and install the RIDGID Radio app.
- Open the app. The device will automatically pair.  
**NOTE:** If the device does not pair automatically:
  - Close the app.
  - Hold the  button on the radio for 3 seconds to unpair all BLUETOOTH® signals, then reopen the app.
  - If pairing still doesn't work, turn off the radio for 2 minutes, then close and reopen the app.
- Press the menu icon in the top left corner of the screen. This will show you the available features that can be controlled through the app.

- If your BLUETOOTH® connection is lost for any reason, press the Reconnect button on the RIDGID Radio app or close and reopen the app.

**NOTE:** Pairing the device to work with the app allows the app to control the radio, but does NOT set up the radio for streaming audio. To stream audio, you need to connect to the radio as described in **Streaming Audio Using a BLUETOOTH® Enabled Device (Not Included)**.

## USING THE SMARTPHONE APP

The RIDGID Radio App offers increased functionality, including the option to register your radio.

- Download the RIDGID Radio App from the **App Store** or **Google Play Store**.
- Follow the instructions provided in the app and app guide to control your radio. For more information, visit [www.RIDGID.com](http://www.RIDGID.com).

## REVERSE LOCATOR

When connected with the RIDGID Radio App, hold down the **MODE** button for two seconds and the reverse locator will find your connected BLUETOOTH® device and make it ring.

# MAINTENANCE

---

## **WARNING:**

When servicing, use only identical replacement parts. Use of any other parts could create a hazard or cause product damage.

---

## GENERAL MAINTENANCE

Avoid using solvents when cleaning plastic parts. Most plastics are susceptible to damage from various types of commercial solvents and may be damaged by their use. Use clean cloths to remove dirt, dust, oil, grease, etc.

## FCC COMPLIANCE

---

### **WARNING:**

Changes or modifications to this unit not expressly approved by the party responsible for compliance could void the user's authority to operate the equipment.

---

This device complies with part 15 of the FCC rules. Operation is subject to the following two conditions: (1) this device may not cause harmful interference, and (2) this device must accept any interference received, including interference that may cause undesired operation.

**NOTE:** The grantee is not responsible for any changes or modifications not expressly approved by the party responsible for compliance. Such modifications could void the user's authority to operate the equipment.

**NOTE:** This equipment has been tested and found to comply with the limits for a Class B digital device, pursuant to part 15 of the FCC Rules. These limits are designed to provide reasonable protection against harmful interference in a residential installation. This equipment generates, uses and can radiate radio frequency energy and, if not installed and used in accordance with the instructions, may cause harmful interference to radio communications. However, there is no guarantee that interference will not occur in a particular installation. If this equipment does cause harmful interference to radio or television reception, which can be determined by turning the equipment off and on, the user is encouraged to try to correct the interference by one or more of the following measures:

- Reorient or relocate the receiving antenna.
- Increase the separation between the equipment and receiver.
- Connect the equipment into an outlet on a circuit different from that to which the receiver is connected.
- Consult the dealer or an experienced radio/TV technician for help.

This device complies with Industry Canada license-exempt RSS standard(s). Operation is subject to the following two conditions: (1) this device may not cause interference, and (2) this device must accept any interference, including interference that may cause undesired operation of the device.

Under Industry Canada regulations, this radio transmitter may only operate using an antenna of a type and maximum (or lesser) gain approved for the transmitter by Industry Canada. To reduce potential radio interference to other users, the antenna type and its gain should be so chosen that the equivalent isotropically radiated power (e.i.r.p.) is not more than that necessary for successful communication.

This equipment complies with FCC radiation exposure limits set forth for an uncontrolled environment. This equipment should be installed and operated with minimum distance of 20 cm between the radiator and your body. This transmitter must not be co-located or operating in conjunction with any other antenna or transmitter.

---

## **BLUETOOTH® LICENSE STATEMENT**

The BLUETOOTH® word mark and logos are registered trademarks owned by Bluetooth SIG, Inc., and any use of such marks by RIDGID® is under license. Other trademarks and trade names are those of their respective owners.

**NOTE: ILLUSTRATIONS START ON PAGE 10  
AFTER FRENCH AND SPANISH LANGUAGE SECTIONS.**

**This product has a 90-Day Satisfaction Guarantee Policy, as well as a  
Three-year Limited Warranty. For Warranty and Policy details,  
please go to [www.RIDGID.com](http://www.RIDGID.com) or call (toll free) 1-866-539-1710.**



# CONSIGNES DE SÉCURITÉ IMPORTANTES

## AVERTISSEMENT !

**LIRE CES INSTRUCTIONS.** Le non-respect de toutes les instructions ci-dessous peut entraîner un choc électrique, un incendie et des blessures graves.

## LIRE CES INSTRUCTIONS

## CONSERVER CES INSTRUCTIONS

## OBSERVER TOUS LES AVERTISSEMENTS

## LIRE TOUTES LES INSTRUCTIONS

- Ne nettoyer l'appareil qu'avec un chiffon sec.
- Ne pas bloquer les ouïes d'aération. Installer l'appareil conformément aux instructions du fabricant.
- Ne pas installer l'appareil près de sources de chaleur telles que radiateurs, bouches de chaleurs, poêles ni d'autres appareils (y compris les amplificateurs) qui produisent de la chaleur.
- Utiliser uniquement les raccords ou les accessoires spécifiés par le fabricant.
- Faire effectuer toutes les réparations par un personnel d'entretien qualifié. Il est nécessaire de faire réparer l'appareil lorsqu'il a subi des dommages quelconques ; si, par exemple, le cordon d'alimentation ou la fiche est endommagé, si du liquide a été renversé ou si des objets sont tombés dans l'appareil, si celui-ci a été exposé à la pluie ou à l'humidité, s'il ne fonctionne pas normalement ou s'il a chuté.
- Bien connaître le produit. Lire attentivement le manuel d'utilisation. Apprendre les applications et les limites du produit, et connaître les dangers spécifiques relatifs à son utilisation. Le respect de cette consigne réduira les risques d'incendie, de choc électrique et de blessures graves.
- Ne pas utiliser de produits dans des atmosphères explosives, en présence de liquides, de gaz ou de poussières inflammables par exemple. Les produits créent des étincelles qui pourraient enflammer les poussières ou les vapeurs.
- Ne pas utiliser cet appareil près d'eau.

## SÉCURITÉ ÉLECTRIQUE

- Les piles du produit, qu'elles soient intégrées ou amovibles, ne doivent être rechargées qu'avec le chargeur spécifié. Un chargeur approprié pour un type de pile peut créer un risque d'incendie s'il est utilisé avec un autre type de pile.
- Utiliser le produit exclusivement avec le bloc de piles indiqué. L'usage de tout autre bloc peut créer un risque d'incendie.

- Pour utiliser l'appareil avec des piles au lithium-ion de 18 V, consulter le supplément de raccordement pour chargeur/outils/piles/appareil n° 988000-302.

## SÉCURITÉ PERSONNELLE

- Ne pas utiliser l'produit sur une échelle ou un support instable. Une bonne tenue et un bon équilibre permettent de mieux contrôler le produit en cas de situation imprévue.
- Ne pas utiliser l'appareil radio pour écouter de la musique ou d'autres émissions audio au moment d'opérer de la machinerie. Ne pas respecter cette directive peut causer des distractions qui pourraient entraîner des blessures graves.
- Cet appareil radio est suffisamment puissant pour endommager l'ouïe à long terme. L'écoute de la musique à un niveau sonore élevé pendant une certaine période peut entraîner une perte auditive attribuable au bruit. Plus le niveau sonore est élevé, moins il faudra de temps pour endommager l'ouïe.

## UTILISATION ET ENTRETIEN DU PRODUIT

- Lorsque le bloc de piles n'est pas en usage, le tenir à l'écart d'articles métalliques tels que : attaches trombones, pièces de monnaie, clous, vis et autres petits objets métalliques risquant d'établir le contact entre les deux bornes. La mise en court-circuit des bornes d'une pile peut entraîner des étincelles, des brûlures ou un incendie.
- Garder la radio et sa poignée sèches, propres et exemptes d'huile ou de graisse. Toujours utiliser un chiffon propre pour le nettoyage. Ne jamais utiliser de liquide de freins, d'essence ou de produits à base de pétrole pour nettoyer la radio. Le respect de cette consigne réduira les risques de perte de contrôle et d'endommagement du boîtier en plastique.
- Les produits fonctionnant sur piles n'ayant pas besoin d'être branchés sur une prise secteur sont toujours en état de utilisation. Tenir compte des dangers possibles lorsque le produit fonctionnant sur pile n'est pas utilisé et lors du remplacement d'accessoires. Le respect de cette consigne réduit les risques d'incendie, de choc électrique et de blessures graves.
- Ne pas placer un produit fonctionnant sur pile ou sa pile à proximité de flammes ou d'une source de chaleur. Ceci réduira les risques d'explosion et de blessures.
- Ne pas écraser, faire tomber ou endommager le bloc de piles. Ne pas utiliser un bloc de piles ou un chargeur endommagé ou soumis à un choc violent. Une pile endommagée risque d'exploser. Éliminer immédiatement toute pile endommagée, selon une méthode appropriée.
- Les piles peuvent exploser en présence d'une source d'inflammation, telle qu'une veilleuse. Pour réduire les risques de blessures graves, ne jamais utiliser un

# CONSIGNES DE SÉCURITÉ IMPORTANTES

---

appareil sans fil, quel qu'il soit, en présence d'une flamme vive. En explosant, une pile peut projeter des débris et des produits chimiques. En cas d'exposition, rincer immédiatement les parties atteintes avec de l'eau.

- **Ne pas recharger un outil fonctionnant sur piles dans un endroit humide ou mouillé. Ne pas utiliser, remiser ou charger le bloc-piles ou produits dans des emplacements où la température est inférieure 10 °C (50 °F) à ou supérieure à 38 °C (100 °F).** Ne pas ranger l'outil à l'extérieur ou dans un véhicule.
- **Si le produit est utilisé de façon intensive ou sous des températures extrêmes, des fuites de pile peuvent se produire. En cas de contact du liquide avec la peau, rincer immédiatement la partie atteinte avec de l'eau savonneuse. En cas de projection dans les yeux, les rincer à l'eau fraîche pendant au moins 10 minutes, puis contacter immédiatement un médecin.** Le respect de cette consigne réduira les risques de blessures graves.

- **Pour réduire le risque de blessures et de choc électrique, ne pas utiliser ni placer ce produit à la portée d'enfants en bas âge.**




## DÉPANNAGE

- **Utiliser exclusivement des pièces identiques à celles d'origine pour les réparations. Se conformer aux instructions de la section Entretien de ce manuel.** L'usage de pièces non autorisées ou le non-respect des instructions peut présenter des risques de choc électrique ou de blessures.
- **Conserver ces instructions.** Les consulter fréquemment et les utiliser pour instruire les autres utilisateurs éventuels. Si cet produit est prêté, il doit être accompagné de ces instructions.










# SYMBOLES

Les termes de mise en garde suivants et leur signification ont pour but d'expliquer le degré de risques associé à l'utilisation de ce produit.

SYMBOLE	SIGNAL	SIGNIFICATION
	<b>DANGER :</b>	Indique une situation dangereuse qui, si elle n'est pas évitée, aura pour conséquences des blessures graves ou mortelles.
	<b>AVERTISSEMENT :</b>	Indique une situation dangereuse qui, si elle n'est pas évitée, pourrait entraîner des blessures graves ou mortelles.
	<b>ATTENTION :</b>	Indique une situation dangereuse qui, si elle n'est pas évitée, pourrait entraîner des blessures légères ou de gravité modérée.
	<b>AVIS :</b>	(Sans symbole d'alerte de sécurité) Indique les informations jugées importantes sans toutefois représenter un risque de blessure (ex. : messages concernant les dommages matériels).

Certains des symboles ci-dessous peuvent être utilisés sur l'produit. Veiller à les étudier et à apprendre leur signification. Une interprétation correcte de ces symboles permettra d'utiliser l'produit plus efficacement et de réduire les risques.

SYMBOLE	NOM	DÉSIGNATION / EXPLICATION
	Symbole d'alerte de sécurité	Indique un risque de blessure potentiel.
	Lire le manuel d'utilisation	Toujours porter des lunettes de sécurité munies d'écrans latéraux et un masque facial intégral lors de l'utilisation de cet outil.
	Protection oculaire	Toujours porter une protection oculaire avec écrans latéraux certifiée conforme à la norme ANSI Z87.1.
	Avertissement de choc électrique	Indique la présence de matériaux non isolés à l'intérieur de l'unité qui peuvent provoquer des chocs électriques. Ne pas retirer le couvercle du produit.
	Avertissement concernant l'humidité	Ne pas exposer à la pluie ou l'humidité.
	Symboles de recyclage	Ce produit utilise les piles de lithium-ion (Li-ion). Les réglementations locales ou gouvernementales peuvent interdire de jeter les piles dans les ordures ménagères. Consulter les autorités locales compétentes pour les options de recyclage et/ou l'élimination.
V	Volts	Tension
A	Ampères	Intensité
Hz	Hertz	Fréquence (cycles par seconde)
W	Watt	Alimentation
min	Minutes	Temps
	Courant continu	Type ou caractéristique du courant

# ASSEMBLAGE

## AVERTISSEMENT :

Ne pas utiliser le produit s'il n'est pas complètement assemblé ou si des pièces semblent manquantes ou endommagées. L'utilisation d'un produit dont l'assemblage est incorrect ou incomplet ou comportant des pièces endommagées ou absentes représente un risque de blessures graves.

## AVERTISSEMENT :

Ne pas essayer de modifier cet outil ou de créer des pièces et accessoires non recommandés. De telles altérations ou modifications sont considérées comme un usage abusif et peuvent créer des conditions dangereuses, risquant d'entraîner des blessures graves.

Si des pièces manquent ou sont endommagées, veuillez appeler au 1-866-539-1710 pour obtenir de l'aide.

# UTILISATION

## AVERTISSEMENT :

Ne pas laisser la familiarité avec l'produit faire oublier la prudence. Ne pas oublier qu'une fraction de seconde d'inattention peut entraîner des blessures graves.

## AVERTISSEMENT :

Toujours retirer la bloc-pile de l'outil au moment d'assembler des pièces, d'effectuer des réglages et de procéder au nettoyage, ou lorsque l'outil n'est pas utilisé. Si cette précaution n'est pas prise, des objets peuvent être projetés dans les yeux et causer des lésions graves.

## AVERTISSEMENT :

Cette radio n'est pas imperméable. Ne pas immerger dans aucun liquide. Le non-respect de cet avertissement pourrait provoquer des blessures graves.

## AVIS :

Toujours consulter ce manuel pour connaître l'utilisation des dispositifs et accessoires recommandés. L'opérateur est responsable de l'utilisation adéquate de tout dispositif raccordé à la radio. Une mauvaise utilisation peut endommager le dispositif ou le produit.

## APPLICATIONS

Il est possible d'utiliser ce produit pour les tâches énumérées ci-dessous :

- Écouter la radio (sur la bande AM ou FM), diffusion audio par Bluetooth, entrée audio auxiliaire, appareils adaptés à la charge USB jusqu'à 1 A

## REPLACEMENT DES PILES AAA DE L'HORLOGE ET DE LA MÉMOIRE

Voir la figure 1, page 11.

Deux piles AAA est installée dans l'appareil. Avant la première utilisation, repérez et retirez la languette amovible afin d'activer les piles.

Il est recommandé de prendre en note les canaux pré-réglés avant de remplacer les piles de AAA en l'horloge.

L'utilisateur dispose d'un délai de 15 secondes pour remplacer les piles AAA. Si les nouvelles piles ne sont pas installées dans ce délai, tous les réglages de la radio qui ont été mis en mémoire seront perdus. Il sera alors nécessaire de la reprogrammer.

Utiliser des piles de rechange alcalines neuves.

- Desserrer la vis du couvercle du compartiment des piles. Retirer le couvercle du compartiment des piles et mettre de côté.
- Installer deux nouvelles piles AAA en respectant les indicateurs de polarité se trouvant à l'intérieur du compartiment des piles.
- Remettre le couvercle du compartiment des piles et le serrer à l'aide d'une vis pour fixer.

## INSTALLATION/RETRAIT DE LA PILE

Voir la figure 2, page 11.

### Installer le bloc-piles :

- Aligner les nervures surélevée de la pile avec les rainures du compartiment pour pile de la radio et placer la pile dans la radio comme illustré.
- S'assurer que les attaches de chaque côté de la pile s'enclenchent en place et que la pile est bien fixée dans la radio avant de commencer l'utilisation.

**NOTE :** Une pile qui demeure branchée à une source de courant pendant une longue période s'épuisera. Toujours débrancher la pile après chaque utilisation.

### Retirer le bloc-piles :

- Appuyer sur les attaches de part et d'autre de la pile pour la retirer.

# UTILISATION

**NOTE :** Toujours retirer le bloc-piles de la radio lorsqu'elle n'est pas utilisée.

## ANTENNE RABATTABLE, FLEXIBLE ET ORIENTABLE

Voir la figure 3, page 11.

Pour améliorer la réception radio, tourner l'antenne ou déplacer la radio à un endroit plus élevé. L'antenne pliable peut être déplacée lorsqu'elle n'est pas utilisée.

## AFFICHEUR ACL

Voir la figure 4, page 11.

**NOTE :** Les images de l'afficheur ACL présentées dans le manuel d'utilisation constituent seulement des exemples de fréquences qu'il est possible de voir sur la radio. Il ne s'agit pas de fréquences exactes qu'il est possible de syntoniser.

Si la radio est branchée à une source de courant, l'afficheur ACL demeurera éteint. Si la radio est branchée à une source de courant, mais qu'elle est réglée à **ON** (en marche), voyants DÉL éclaireront l'afficheur. L'afficheur ACL permet à l'utilisateur de visualiser le temps, la fréquence et les réglages en cours.

**NOTE :** Toujours débrancher la pile après avoir utilisé l'appareil afin d'éviter d'épuiser la pile.

## MARCH/ARRÊT/VOLUME

Voir la figure 4, page 11.

Appuyer sur le bouton **ON/OFF/VOLUME** (marche/arrêt et de réglage du volume) pour allumer et éteindre la radio.

**NOTE :** Il faut appuyer sur le bouton pendant 3 secondes pour mettre la radio en marche. Si cela se produit, remplacer les piles AAA de la radio.

**Pour augmenter le volume :** tourner le bouton **ON/OFF/VOLUME** (marche/arrêt et de réglage du volume) vers la droite.

**Pour baisser le volume :** tourner le bouton **ON/OFF/VOLUME** (marche/arrêt et de réglage du volume) vers la gauche.

Pour aider à conserver l'énergie de la pile, la radio se met automatiquement en mode de veille environ 1 heure après sa mise hors tension. Pour sortir du mode de veille et remettre la radio en marche, il faut utiliser le bouton **ON/OFF/VOLUME** de la radio.

## RÉGLAGE DE L'HORLOGE

Voir la figure 4, page 11.

Dès que l'heure est réglée, l'application apparaît sur l'afficheur ACL par défaut lorsque la radio est allumée. Pour régler l'horloge :

- Appuyer et maintenir le bouton **CLOCK** (horloge) enfoncé pendant 3 secondes, jusqu'à ce que l'horloge clignote.
- Appuyer et relâcher le bouton **CLOCK** (horloge) pour faire défiler les heures, les minutes et choisir l'affichage de 12 ou 24 heures.


- Dès que chaque réglage est en surbrillance, utiliser le bouton de volume ou les boutons de flèche pour l'ajuster au besoin.
- Dès que l'heure désirée et l'affichage de 12 ou 24 heures sont sauvegardés, appuyer à nouveau sur le bouton **CLOCK** (horloge) pour sauvegarder les réglages.

## SÉLECTION DU MODE

Voir la figure 4, page 11.

Appuyer sur le bouton **MODE** pour naviguer sur tous les modes disponibles. La radio comprend les quatre modes suivants :

- Le mode « FM »
- Le mode « AM »
- Le mode « AUX » : pour le connecteur femelle de 3,5 mm
- **BLUETOOTH®** : Écoute audio avec les dispositifs **BLUETOOTH®**

**NOTE :** Accéder directement à ce mode en utilisant le bouton .

Une fois allumée, la radio reprend le dernier mode sélectionné si la bloc-pile n'était pas débranchée. Si l'alimentation est coupée à la radio, l'affichage passe automatiquement en mode FM.

## SYNTONISATION AM/FM

Voir la figure 4, page 11.

Les flèches gauche et droite et le bouton **MODE** sont utilisés pour syntoniser la fréquence radio désirée. La fréquence sélectionnée apparaît sur l'afficheur ACL.

- Appuyer sur le bouton **MODE** jusqu'à ce que le menu « **AM** » ou « **FM** » soit en surbrillance.
- Appuyer et relâcher sur la flèche de gauche pour syntoniser une fréquence plus basse. Sur la flèche de droite pour syntoniser une fréquence plus élevée.

Appuyer rapidement sur l'un des deux boutons (ne pas le maintenir enfoncé) pour syntoniser une fréquence une étape à la fois.

- Pour effectuer une **RECHERCHE**, appuyer et maintenir enfoncé le bouton de flèche désiré pendant 3 secondes pour syntoniser la fréquence suivante avec une réception claire.
- Pour effectuer un **BALAYAGE**, appuyer et maintenir les deux boutons de flèche pendant 3 secondes pour balayer toutes les fréquences et obtenir une réception nette.

**NOTE :** Pendant le balayage, la radio s'arrêtera pendant trois secondes sur les fréquences dont la réception est claire avant de passer à la prochaine haute fréquence.

Appuyer sur la touche **PRESETS** pour arrêter le balayage et sélectionner une fréquence. Si aucune fréquence n'est sélectionnée, la radio retourne à la fréquence affichée au début du balayage.

# UTILISATION

## MISE EN MÉMOIRE DES CANAUX PRÉRÉGLÉS

Voir la figure 4, page 11.

La fonction de mise en mémoire permet d'enregistrer jusqu'à 20 fréquences à titre de canaux préréglés dans la mémoire de la radio. Vous pouvez sauvegarder dix (10) fréquences FM et dix (10) fréquences AM.

### Pour ajouter des stations préréglées :

- Syntoniser la fréquence d'écoute à sauvegarder.
- Appuyer et maintenir le bouton **PRESETS** enfoncé pendant 3 secondes. Un numéro d'emplacement de mémoire clignotera.
- Appuyer sur l'un ou l'autre des boutons à flèche pour faire défiler les postes préréglés.
- Appuyer sur le bouton **PRESETS** (préréglage) pour sauvegarder la fréquence à l'emplacement de mémoire sélectionné.

### Pour syntoniser les stations préréglées :

- Appuyer et relâcher rapidement le bouton **PRESETS** pour parcourir les fréquences sauvegardées.

## COMMANDE DE TONALITÉ

Voir la figure 4, page 11.

- Appuyer sur le bouton **SOUND** (son) pour régler le mode des basses (**BASS**).
- Effectuer le réglage des basses en utilisant le bouton de réglage du volume ou les boutons de flèche.
- Appuyer sur le bouton **SOUND** (son) pour sauvegarder le nouveau réglage des basses puis accéder au mode de réglages des aigus (**TREBLE**).
- Effectuer le réglage des aigus en utilisant le bouton de réglage du volume ou les boutons de flèche.
- Appuyer sur le bouton **SOUND** (son) pour sauvegarder le nouveau réglage des aigus et retourner au premier mode de fonctionnement.

## AUDIO EN TRANSIT UTILISATION D'UN DISPOSITIF BLUETOOTH® (NON INCLUS)

Voir les figures 4 et 5, pages 11 et 12.

- Appuyer sur le bouton **⌘** pour accéder au mode BLUETOOTH®. Accéder également au mode BLUETOOTH® en appuyant sur le bouton **MODE** pour naviguer les modes disponibles, jusqu'à ce que **⌘** soit en surbrillance.

**NOTE :** La radio tentera automatiquement la connexion vers le dernier dispositif apparié. Un clignotement **⌘** commencera automatiquement si aucun dispositif n'a été apparié auparavant.

- Effectuer une recherche ou un balayage depuis votre dispositif pour trouver les signaux BLUETOOTH® puis sélectionner la « STRM-RIDGID Mini Radio » depuis la liste. La connexion ne requiert pas de mot de passe ni d'identifiant.

- Lorsque la connexion entre le dispositif et la radio est réussie, un signal sonore retentira et le clignotement du **⌘** cessera.

**NOTE :** Si l'appariement du dispositif avec la radio est impossible, éteindre la radio, attendre 5 secondes, rallumer la radio et recommencer la procédure d'appariement.

- Lorsque la lecture audio en continu est activée sur le dispositif BLUETOOTH®, appuyer sur le flèche bouton gauche ou droit de la radio choisir la piste suivante ou précédente. Appuyer le bouton **PRESETS** pour effectuer une pause ou lire la musique.

**NOTE :** Ces commandes sont peut-être inactives sur le dispositif BLUETOOTH® ou l'application streaming en continu utilisée.

- Pour atteindre le volume maximal pendant la commande du son avec le bouton de réglage de volume de la radio, s'assurer que le réglage du volume du dispositif est au maximum.
- Pour déconnecter le dispositif actuel et permettre l'appariement d'un autre dispositif prêt pour BLUETOOTH®, appuyer et maintenir le bouton **⌘** enfoncé pendant 3 secondes. La radio est prête pour l'appariement dès que le clignotement **⌘** commence.

## MODE AUXILIAIRE

Voir les figures 6 et 7, page 12.

La radio peuvent être utilisés comme amplificateurs pour les lecteurs MP3, lecteurs CD, téléphones intelligents, tablettes et les autres dispositifs musicaux.

### Pour utiliser le mode auxiliaire (AUX) :

- Appuyer sur le bouton « **MODE** » pour sélectionner le mode « **AUX** ».
- Brancher le câble auxiliaire inclus au dispositif externe.
- Brancher l'autre extrémité du câble auxiliaire dans la prise **AUX** situé sur le côté de la radio.
- Le dispositif externe doit être sous tension ou en mode lecture pour que les haut-parleurs puissent diffuser le son.
- Toutes les commandes du dispositif externe peuvent être utilisées normalement lorsque ces dispositifs sont raccordés à la radio.

**NOTE :** Le volume de tout dispositif branché par le connecteur auxiliaire peut être réglé à l'aide de la commande de volume de ce dispositif ou à l'aide du bouton volume de la radio.

- Éteindre la radio n'éteint pas le dispositif externe.
- Le câble auxiliaire NE PERMET PAS la recharge.
- Pour prendre connaissance de l'ensemble des instructions d'utilisation sur les dispositif externe, toujours consulter le manuel fourni avec le produit.

# UTILISATION

## PORT USB DÉDIÉ À LA CHARGE

Voir les figures 6 et 8, page 12.

Le port de charge USB dédié offre une puissance de charge jusqu'à 1 A pour le téléphone intelligent, le lecteur MP3, tablette ou autres dispositifs USB.

### AVIS :

Tenter de charger des dispositifs ayant une caractéristique nominale de plus de 1 A risque d'endommager le port de charge USB dédié et le dispositif.

- Brancher une extrémité du câble USB (non fourni) au dispositif USB.
- Brancher l'autre extrémité du câble USB au port de charge USB dédié pour commencer la charge du dispositif.

**NOTE :** Le port de charge USB dédié n'est qu'une source d'alimentation et n'offre aucune capacité de communication.

- Si la radio contient un bloc-piles chargé, le port de chargement USB dédié continuera de fonctionner pendant environ une heure après avoir éteint la radio. Si après ce délai, la radio est éteinte, le chargement arrête. Allumer la radio pour reprendre le chargement.


## UTILISATION DE L'APPLICATION RIDGID RADIO AVEC UN DISPOSITIF PRÊT POUR BLUETOOTH®

Voir la figure 9, page 12.

L'installation de l'application RIDGID Radio sur un dispositif prêt pour BLUETOOTH® permet de commander plusieurs fonctions de la radio depuis le dispositif.

- Utiliser l'application App Store du dispositif prêt pour BLUETOOTH® pour trouver et installer l'application RIDGID Radio.
- Ouvrir l'application L'appariement du dispositif se fera automatiquement.

**NOTE :** Si l'appariement automatique du dispositif ne se fait pas :

- Fermer l'application.
- Maintenir le bouton de la radio  enfoncé pendant 3 secondes pour interrompre les signaux d'appariement de tous les dispositifs BLUETOOTH® puis ouvrir à nouveau l'application.
- Si l'appariement ne s'effectue pas à ce moment, fermer la radio pendant 2 minutes puis fermer et ouvrir à nouveau l'application.

- Appuyer sur l'icône du menu situé au coin gauche supérieur de l'écran. Ceci affichera les caractéristiques disponibles pouvant être commandées depuis l'application.

- Quelque soit le motif de perte de connexion du signal BLUETOOTH®, appuyer sur le bouton « Reconnect » (reconnecter) de l'application RIDGID Radio ou fermer et rouvrir l'application.

**NOTE :** L'appariement du dispositif avec l'application permet de contrôler l'appareil depuis l'application, mais NE PERMET PAS le réglage de la lecture audio en continu. Pour établir le flux de données audio, la radio doit être connectée comme décrit au chapitre **Audio en transit utilisation d'un dispositif bluetooth® (non inclus)**.

## UTILISATION DE L'APPLICATION DU TÉLÉPHONE INTELLIGENT

L'application RIDGID Radio offre une fonctionnalité accrue, incluant la possibilité d'enregistrer votre radio.

- Télécharger l'application RIDGID Radio à partir de l'**App Store** ou de **Google Play Store**.
- Suivre les instructions dans l'application et dans le guide de l'application pour contrôler votre radio. Pour plus d'information, rendez-vous à l'adresse [www.RIDGID.com](http://www.RIDGID.com).

## LOCALISATEUR INVERSÉ

Lorsqu'on est connecté à l'application RIDGID Radio, maintenir le bouton **MODE** enfoncé pendant deux secondes, et le localisateur inversé trouvera votre appareil connecté à BLUETOOTH® et le fera sonner.

# ENTRETIEN

## AVERTISSEMENT :

Utiliser exclusivement des pièces d'origine pour les réparations. L'usage de toute autre pièce pourrait créer une situation dangereuse ou endommager l'produit.

## ENTRETIEN GÉNÉRAL

Éviter d'utiliser des solvants pour le nettoyage des pièces en plastique. La plupart des matières plastiques peuvent être endommagées par divers types de solvants du commerce. Utiliser un chiffon propre pour éliminer la saleté, la poussière, l'huile, la graisse, etc.

## NOTE : ILLUSTRATIONS COMMENÇANT SUR 10 DE PAGE APRÈS LE SECTION ESPANOL.

**Ce produit est accompagné d'une politique de satisfaction de 90 jours et d'une garantie limitée de trois (3) ans. Pour obtenir les détails de la garantie et de la politique, visiter le site [www.RIDGID.com](http://www.RIDGID.com) ou appeler (sans frais) au 1-866-539-1710.**



## CONFORMITÉ AUX NORMES DE LA FEDERAL COMMUNICATIONS COMMISSION (FCC)

---

### AVERTISSEMENT :

Toute modification apportée à l'unité qui n'a pas été expressément approuvée par le responsable de la conformité du produit pourrait suffire à révoquer le droit de l'utilisateur à se servir de l'équipement.

---

Cet appareil est conforme à la Partie 15 des Règles FCC et aux normes RSS d'Industrie Canada en matière d'appareils exempts de licence. L'exploitation est autorisée aux deux conditions suivantes : (1) l'appareil ne doit pas produire de brouillage, et (2) l'utilisateur de l'appareil doit accepter tout brouillage radioélectrique subi, même si le brouillage est susceptible d'en compromettre le fonctionnement.

**NOTE :** Le cessionnaire n'assume aucune responsabilité pour les modifications qui ne sont pas expressément approuvées par la partie responsable de la conformité. Ces modifications pourraient annuler l'autorité de l'utilisateur à utiliser l'équipement.

**NOTE :** Après avoir fait subir un essai à l'équipement, il a été déterminé que celui-ci est conforme aux normes relatives à un appareil numérique de classe B, selon la partie 15 des règles de la FCC. Ces normes ont été fixées afin de fournir une protection raisonnable contre une interférence nuisible dans une installation résidentielle. Cet équipement produit et utilise de l'énergie RF. Si l'équipement n'est pas installé et utilisé conformément aux instructions, cela peut causer de l'interférence aux radiocommunications. However, there is no guarantee that interference will not occur in a particular installation. Toutefois, des interférences peuvent se produire dans une installation donnée. Si cet équipement ne produit aucun brouillage préjudiciable à la réception des signaux de radio ou de télévision, ce qui peut être déterminé en allumant et en éteignant l'appareil, on recommande à l'utilisateur de corriger l'interférence par l'une des mesures suivantes :

- Réorienter ou déplacer l'antenne de réception.
- Augmenter l'espacement entre l'équipement et le récepteur.
- Brancher l'équipement dans une prise différente de celle du récepteur.
- Consulter le marchand ou un technicien expérimenté en radiotélédiffusion pour obtenir de l'aide.

Le présent appareil est conforme aux CNR d'Industrie Canada applicables aux appareils radio exempts de licence. L'exploitation est autorisée aux deux conditions suivantes : (1) l'appareil ne doit pas produire de brouillage, et (2) l'utilisateur de l'appareil doit accepter tout brouillage radioélectrique subi, même si le brouillage est susceptible d'en compromettre le fonctionnement.

Conformément à la réglementation d'Industrie Canada, le présent émetteur radio peut fonctionner avec une antenne d'un type et d'un gain maximal (ou inférieur) approuvé pour l'émetteur par Industrie Canada. Dans le but de réduire les risques de brouillage radioélectrique à l'intention des autres utilisateurs, il faut choisir le type d'antenne et son gain de sorte que la puissance isotrope rayonnée équivalente (p.i.r.e.) ne dépasse pas l'intensité nécessaire à l'établissement d'une communication satisfaisante.

Cet équipement est conforme aux limites d'exposition aux rayonnements de la FCC établies pour un environnement non contrôlé. Cet équipement doit être installé et fonctionner à au moins 20 cm de distance d'un radiateur ou de votre corps. Cet émetteur ne doit pas être situé au même endroit ou utilisé parallèlement avec aucune autre antenne ou aucun autre émetteur.

---

### ÉNONCÉ DE LICENCE BLUETOOTH®

L'indice de l'œuvre et les logos de BLUETOOTH® sont des marques déposées par Bluetooth SIG, Inc. et toutes utilisations de telles marques par RIDGID® sont sous licence. Les autres marques de commerce et appellations commerciales sont la propriété de leurs propriétaires respectifs.

# INSTRUCCIONES DE SEGURIDAD IMPORTANTES

## ¡ADVERTENCIA!

**LEA ESTAS INSTRUCCIONES.** El incumplimiento de las instrucciones señaladas abajo puede causar descargas eléctricas, incendios y/o lesiones serias.

## LEA ESTAS INSTRUCCIONES

## GUARDE ESTAS INSTRUCCIONES

## PRESTE ATENCIÓN A TODAS LAS ADVERTENCIAS

## SIGA TODAS LAS INSTRUCCIONES

- Limpie sólo con un paño seco.
- No bloquee ninguna de las aberturas de ventilación. Instale de acuerdo con las instrucciones del fabricante.
- No instale cerca de fuentes de calor como, por ejemplo, radiadores, rejillas térmicas u otros aparatos.
- Utiliser uniquement les raccords ou les accessoires spécifiés par le fabricant.
- Deje cualquier servicio de mantenimiento necesario en manos de personal de servicio de mantenimiento calificado. Se requiere mantenimiento si el aparato se dañó de alguna forma; por ejemplo, si se derramó líquido o cayeron objetos dentro del aparato, si se expuso a la lluvia o a la humedad, si se cayó, si no funciona normalmente o si se dañó el cable de alimentación o el enchufe.
- Familiarícese con el producto. Lea cuidadosamente el manual del operador. Aprenda sus aplicaciones y limitaciones así como los posibles peligros específicos de este producto. Con el cumplimiento de esta regla se reduce el riesgo de una descarga eléctrica, incendio o lesión seria.
- No utilice productos en entornos explosivos, como los existentes alrededor de líquidos, gases y polvos inflamables. Los productos generan chispas que pueden encender el polvo y los vapores inflamables.
- No use este aparato cerca del agua.

## SEGURIDAD ELÉCTRICA

- Los productos de baterías, ya sean de baterías integradas o de paquete de baterías separado, deben recargarse únicamente con el cargador especificado para la batería. Un cargador que puede ser adecuado para un tipo de batería puede significar un riesgo de incendio si se emplea con otro tipo de batería.
- Utilice el producto sólo con la batería específicamente indicada. El empleo de baterías diferentes puede presentar un riesgo de incendio.

- Para utilizar con paquetes de baterías de iones de litio de 18 V, consulte el folleto de la herramienta/aparato/paquete de baterías/cargador complementario 988000-302.

## SEGURIDAD PERSONAL

- No utilice la unidad al estar en una escalera o en un soporte inestable. Una postura estable sobre una superficie sólida permite un mejor control del producto en situaciones inesperadas.
- No escuche música u otros programas de audio en la radio mientras opera maquinaria. La inobservancia de esta advertencia puede provocar distracciones y causar lesiones graves.
- Esta radio produce niveles de sonido que pueden afectar la audición de forma permanente. Escuchar música a un volumen alto durante un determinado tiempo puede causar una pérdida de la audición inducida por el ruido. Cuanto más alto sea el volumen, la audición se verá afectada en menos tiempo.

## EMPLEO Y CUIDADO DEL PRODUCTO

- Cuando no esté usando la batería, manténgala alejada de todo objeto metálico como: clips, monedas, llaves, clavos, tornillos y otros objetos metálicos pequeños que puedan establecer conexión entre ambas terminales. Al establecer una conexión directa entre las dos terminales se puede causar chispas, quemaduras o incendios.
- Mantenga la radio y el mango secos, limpios y sin aceite ni grasa. Siempre utilice un paño limpio para limpiar la unidad. Nunca utilice fluidos para frenos, gasolina, productos a base de petróleo ni solventes fuertes para limpiar la radio. Con el cumplimiento de esta regla se reduce el riesgo de una pérdida de control y el deterioro del alojamiento de plástico de la unidad.
- No se necesita conectar a una toma de corriente los productos de baterías, por lo tanto, siempre están en condiciones de funcionamiento. Esté consciente de los posibles peligros cuando no esté usando el producto de baterías o cuando esté cambiando los accesorios de la misma. Con el cumplimiento de esta regla se reduce el riesgo de una descarga eléctrica, incendio o lesión corporal seria.
- No coloque productos de baterías ni las baterías mismas cerca del fuego o del calor. De esta manera se reduce el riesgo de explosiones y de lesiones.
- No aplaste, deje caer o dañe el paquete de baterías. No utilice el paquete de baterías ni el cargador si han sufrido una caída o un golpe contundente. Las baterías dañadas pueden sufrir explosiones. Deseche de inmediato toda batería que haya sufrido una caída o que haya sido dañada.



# INSTRUCCIONES DE SEGURIDAD IMPORTANTES

---

■ **Las baterías pueden explotar en presencia de fuentes de inflamación, como los pilotos de gas.**

Para reducir el riesgo de lesiones serias, nunca use un producto inalámbrico en presencia de llamas expuestas. La explosión de una batería puede lanzar fragmentos y compuestos químicos. Si ha estado expuesto a la explosión de una batería, lávese de inmediato con agua.

■ **No cargue herramientas de baterías en lugares mojados o húmedos. No lo utilice, guarde o cargue la paquete de baterías o la product unidad en lugares donde la temperatura sea inferior a 10 °C (50 °F) o superior a 38 °C (100 °F).** No guarde la herramienta a la intemperie ni en el interior de vehículos.

■ **En condiciones extremas de uso o temperatura las baterías pueden emanar líquido. Si el líquido llega a tocarle la piel, lávese de inmediato con agua y jabón. Si le entra líquido en los ojos, láveselos con agua limpia por lo menos 10 minutos, y después busque**

**de inmediato atención médica.** Con el cumplimiento de esta regla se reduce el riesgo de lesiones serias.

■ **Para reducir el riesgo de lesiones personales y descargas eléctricas, no debe usarse ni colocarse el producto en lugares al alcance de los niños.**




## SERVICIO

■ **Al dar servicio a un producto, sólo utilice piezas de repuesto idénticas. Siga las instrucciones señaladas en la sección Mantenimiento de este manual.** El empleo de piezas no autorizadas o el incumplimiento de las instrucciones de mantenimiento puede significar un riesgo de descarga eléctrica o de lesiones.







■ **Guarde estas instrucciones.** Consúltelas con frecuencia y empléelas para instruir a otras personas que puedan utilizar esta producto eléctrica. Si presta a alguien esta producto eléctrica, facilítele también las instrucciones.

# SÍMBOLOS

Las siguientes palabras de señalización y sus significados tienen el objeto de explicar los niveles de riesgo relacionados con este producto.

SÍMBOLO	SEÑAL	SIGNIFICADO
	<b>PELIGRO:</b>	Indica una situación peligrosa, la cual, si no se evita, causará la muerte o lesiones serias.
	<b>ADVERTENCIA:</b>	Indica una situación peligrosa, la cual, si no se evita, podría causar la muerte o lesiones serias.
	<b>PRECAUCIÓN:</b>	Indica una situación peligrosa la cual, si no se evita, puede causar lesiones leves o moderadas.
	<b>AVISO:</b>	(Sin el símbolo de alerta de seguridad) Indica la información que se considera importante, pero no relacionada con lesiones potenciales (por ej. en relación a daños a la propiedad).

Es posible que se empleen en esta herramienta algunos de los siguientes símbolos. Le suplicamos estudiarlos y aprender su significado. Una correcta interpretación de estos símbolos le permitirá utilizar mejor y de manera más segura la herramienta.

SÍMBOLO	NOMBRE	DENOMINACIÓN/EXPLICACIÓN
	Alerta de seguridad	Indica un peligro posible de lesiones personales.
	Lea el manual del operador	Para reducir el riesgo de lesiones, el usuario debe leer y comprender el manual del operador antes de usar este producto.
	Protección ocular	Siempre póngase protección ocular con protección lateral con la marca de cumplimiento de la norma ANSI Z87.1.
	Alerta de descarga eléctrica	Indica material no aislado dentro de la unidad que puede causar una descarga eléctrica. No retire la cubierta del producto.
	Alerta de condiciones húmedas	No exponga la unidad a la lluvia ni la use en lugares húmedos.
	Símbolo de reciclado	Este producto contiene baterías de iones de litio. Es posible que algunas leyes municipales, estatales o federales prohíban desechar las baterías de níquel-cadmio en la basura normal. Consulte a las autoridades reguladoras de desechos para obtener información en relación con las alternativas de reciclado y desecho disponibles.
V	Voltios	Voltaje
A	Amperios	Corriente
Hz	Hertz	Frecuencia (ciclos por segundo)
W	Watts	Potencia
min	Minutos	Tiempo
—	Corriente continua	Tipo o característica de corriente

# ARMADO

---

## **ADVERTENCIA:**

No use este producto si no está totalmente ensamblado o si alguna pieza falta o está dañada. El uso de un producto que no está adecuadamente y completamente ensamblado o posee partes dañadas o faltantes puede resultar en lesiones personales graves.

---

## **ADVERTENCIA:**

No intente modificar este producto ni crear aditamentos o accesorios que no estén recomendados para usar con este producto. Dichas alteraciones o modificaciones constituyen un uso indebido y podrían provocar una situación de riesgo que cause posibles lesiones personales graves.

---

Si hay piezas dañadas o faltantes, le suplicamos llamar al 1-866-539-1710, donde le brindaremos asistencia.

# FUNCIONAMIENTO

---

## **ADVERTENCIA:**

No permita que su familiarización con la producto lo vuelva descuidado. Tenga presente que un descuido de un instante es suficiente para causar una lesión seria.

---

## **ADVERTENCIA:**

Siempre retire el paquete de baterías de la herramienta cuando esté ensamblando partes, realizando ajustes, limpiando o cuando ésta no esté en uso. Retirando el paquete de baterías se evita arrancar accidentalmente la unidad, lo cual puede causar lesiones serias.

---

## **ADVERTENCIA:**

El radioreceptor no es a prueba de agua. No lo sumerja en líquidos. La inobservancia de esta advertencia podría causar lesiones personales serias.

---

### **AVISO:**

Para usar cualquier dispositivo que se utilice como accesorio o complemento, consulte siempre el manual. El uso correcto de cualquier dispositivo cuando se lo conecta al radioreceptor para el lugar de trabajo es total responsabilidad del operador. El uso indebido puede dañar el dispositivo o el producto.

---

## **APLICACIONES**

Este producto puede emplearse para los fines siguientes:

- Escuchar radio AM/FM, transmisión de audio Bluetooth, entrada de audio auxiliar, carga de dispositivos con USB de hasta 1 A

## **PARA REEMPLAZAR LAS BATERÍAS AAA DEL RELOJ/DE LA MEMORIA**

*Vea la figura 1, página 11.*

Hay dos baterías AAA preinstalada en la unidad. Antes del primer uso, ubique y quite la orejeta de extracción para activar las baterías.

Se recomienda tomar nota de los frecuencias prefijada antes de reemplazar las baterías AAA.

Hay un margen de 15 segundos para reemplazar las baterías AAA. Si las baterías no se reemplazan en el término de 15 segundos, la radio pierde todas las configuraciones guardadas previamente en la memoria, y se las debe reprogramar.

Siempre reemplace las baterías con baterías alcalinas nuevas.

- Aflojar el tornillo de la tapa de las baterías. Retire la tapa de las baterías y colóquela a un lado.
- Instale dos baterías AAA nuevas de la forma indicada por las marcas de polaridad situadas dentro del compartimiento de las baterías.
- Coloque de nuevo la tapa de las baterías y asegúrela con el tornillo.

## **PARA INSTALAR/QUITAR EL PAQUETE DE BATERÍAS**

*Vea la figura 2, página 11.*

### **Para instalar el paquete de baterías:**

- Alinee la costillas realzada del paquete de baterías con las ranuras en el receptáculo para baterías de la radio y coloque el paquete de baterías en la radio como se muestra.
- Asegúrese de que los pestillos situados a ambos lados del paquete de baterías entren completamente en su lugar y de que el paquete quede bien asegurado en la radio antes de empezar a utilizarla.

**NOTA:** La carga de la paquete de batería se agotará si éste permanece conectado por mucho tiempo. Nunca olvide desconectar la paquete de batería después del uso.

# FUNCIONAMIENTO

## Para retirar el paquete de baterías:

- Oprima los pestillos a ambos lados para soltar el paquete de baterías.

**NOTA:** Siempre retire el paquete de baterías cuando no utilice la radio.

## ANTENA FLEXIBLE GIRATORIA PLEGABLE

Vea la figura 3, página 11.

Para mejorar la recepción de radio, rote la antena o mueva el radio a un lugar más alto. La antena se pliega cuando no está en uso.

## PANTALLA DE CRISTAL LÍQUIDO

Vea la figura 4, página 11.

**NOTA:** Las ilustraciones de la pantalla de cristal líquido que se muestran en este manual son sólo ejemplos de las frecuencias que usted puede ver en su radio, y no son las frecuencias exactas que puede elegir para escuchar.

Cuando la radio no está conectada a un suministro de corriente, la pantalla de cristal líquido permanece apagada. Si la radio está conectada a un suministro de corriente en la posición de **ON** (ENCENDIDO), diodos iluminan la pantalla. Puede ver la hora, la frecuencia y las configuraciones que están usándose en la pantalla de cristal líquido.

**NOTA:** Después de utilizarlos, desconecte siempre los paquetes de baterías para evitar que se agote la carga.

## ENCENDIDO/APAGADO/VOLUMEN

Vea la figura 4, página 11.

Oprima la perilla de **ON/OFF/VOLUME** (encendido/apagado/volumen) para encender o apagar la radio.

**NOTA:** Es posible que deba mantener el botón presionado durante un máximo de 3 segundos para que la radio vuelva a encenderse. Si esto sucede, cambie las pilas AAA de la radio.

**Para aumentar el volumen:** gire la perilla de **ON/OFF/VOLUME** (encendido/apagado/volumen) hacia la derecha.

**Para disminuir el volumen:** gire la perilla de **ON/OFF/VOLUME** (encendido/apagado/volumen) hacia la izquierda.

Para poder preservar la potencia de las pilas, la radio pasará automáticamente a modo suspendido aproximadamente 2 horas después de haberla apagado. Para salir del modo suspendido y volver a encender la radio, deberá utilizar la perilla **ON/OFF/VOLUME** (ENCENDIDO/APAGADO/VOLUMEN) de la radio.

## AJUSTAR EL RELOJ

Vea la figura 4, página 11.

Cuando esté establecida la hora, aparecerá en la pantalla LCD de manera predeterminada cada vez que se encienda la radio. Para configurar el reloj:

- Presione el botón **CLOCK** (reloj) y manténgalo presionado durante 3 segundos hasta que el reloj comience a parpadear.

- Presione y suelte el botón **CLOCK** (reloj) para navegar por la hora, los minutos y la configuración de 12 horas/24 horas.

- Cuando cada ajuste esté resaltado, use la perilla de volumen o los botones de flecha para realizar ajustes según sea necesario.


- Una vez que haya ingresado la hora deseada y la configuración de 12 horas/24 horas, presione el botón **CLOCK** (reloj) nuevamente para fijar.

## SELECCIÓN DE MODO

Vea la figura 4, página 11.

Para cambiar de un modo disponible a otro, presione el botón **MODE**. Hay cuatro modos:

- Modo FM
- Modo AM
- AUX: Para el enchufe de entrada de 3,5 mm (1/8 pulg.)
- BLUETOOTH®: Escuchar audio de dispositivos habilitados para BLUETOOTH®

**NOTA:** También puede acceder a este modo directamente usando el botón .

Cuando está encendida, la radio regresa al último modo utilizado si el paquete de baterías no fueron desconectados. En caso de que la alimentación hacia la radio se interrumpa, la pantalla se predeterminará en el modo FM.

## SINTONIZACIÓN AM/FM

Vea la figura 4, página 11.

Los botones con las flechas hacia la izquierda y la derecha, y el botón **MODE** se usan para sintonizar la radio frecuencia deseada. La frecuencia seleccionada se muestra en la pantalla de cristal líquido.

- Presione el botón **MODE** hasta que el menú **AM** o **FM** aparezca destacado.

- Presione y suelte el botón con la flecha izquierda para sintonizar una frecuencia menor y presione el botón con la flecha derecha para sintonizar una frecuencia mayor.

Oprima brevemente alguno de los botones (no lo presione y sostenga) para sintonizar una frecuencia a la vez.

- Para **BUSCAR:** presione y mantenga el botón con flechas deseado durante 3 segundos para que se sintonice la frecuencia siguiente con recepción clara.

- Para **ESCANEAR,** presione y sostenga los botones con flechas durante 3 segundos y recorrerá todas las frecuencias con una recepción clara.

**NOTA:** Al recorrer las frecuencias, la radio se detiene durante tres segundos en las que tienen recepción clara antes de pasar a la siguiente frecuencia mayor.

Presione **PRESETS** para dejar de recorrer las frecuencias y seleccionar una. Si no se selecciona una frecuencia, la radio regresa a la frecuencia que se mostró cuando comenzó el recorrido.

# FUNCIONAMIENTO

## GUARDAR UNA FRECUENCIA PREFIJADA EN LA MEMORIA

Vea la figura 4, página 11.

La función de memoria almacena hasta 20 frecuencias como estaciones previamente establecidas en la memoria de la radio. Puede almacenar hasta diez (10) frecuencias tanto para el modo FM como para el modo AM.

### Para agregar frecuencias prefijadas:

- Sintonice la frecuencia que desea guardar.
- Presione y sostenga el botón **PRESETS** durante 3 segundos. El número de posición prefijada aparecerán en la pantalla.
- Presione cualquier botón de flecha para desplazarse por las posiciones preestablecidas.
- Presione el botón **PRESETS** para establecer la estación en la memoria.

### Para sintonizar las frecuencias prefijadas:

- Presione y suelte rápidamente el botón **PRESETS** para navegar por las frecuencias almacenadas.

## CONTROL DE TONO

Vea la figura 4, página 11.

- Presione el botón **SOUND** (sonido) para ingresar al modo de ajuste de graves (**BASS**).
- Ajuste la configuración de graves con la perilla del volumen o los botones de flecha.
- Presione el botón **SOUND** (sonido) para guardar el nuevo ajuste de graves e ingresar al modo de ajuste de agudos (**TREBLE**).
- Ajuste la configuración de agudos con la perilla del volumen o los botones de flecha.
- Presione el botón **SOUND** (sonido) para guardar el nuevo ajuste de agudos y volver al modo de funcionamiento original.

## TRANSMITA AUDIO USO DE UN DISPOSITIVO HABILITADO PARA BLUETOOTH® (NO SUMINISTRADO)

Vea las figuras 4 y 5, páginas 11 y 12.

- Presione el botón **↔** para ingresar al modo BLUETOOTH®. También puede ingresar al modo BLUETOOTH® presionando el botón **MODE** (modo) para navegar por los modos disponibles hasta que **↔** esté resaltado.

**NOTA:** La radio automáticamente intentará conectarse con el último dispositivo con el que se emparejó. Si no se ha emparejado ningún dispositivo previamente, **↔** automáticamente comenzará a parpadear.

- Configure su dispositivo para que busque/explore señales de BLUETOOTH® y luego seleccione la "STRM-RIDGID Mini Radio" de la lista. No se requiere ninguna contraseña o PIN para la conexión.

- Cuando el dispositivo se haya emparejado correctamente con la radio, escuchará un tono sonoro y **↔** dejará de parpadear.

**NOTA:** Si la radio no empareja con el dispositivo, apague la radio, espere 5 segundos, luego enciéndala y comience el proceso de emparejamiento nuevamente.

- Cuando transmita audio desde un dispositivo habilitado para BLUETOOTH®, presione el botón izquierdo o derecha en la radio para ir a la pista anterior o a la siguiente. Presione el botón **PRESETS** para cambiar entre pausa y reproducción de audio.

**NOTA:** Es posible que estos controles no sean compatibles con el dispositivo BLUETOOTH® y/o la aplicación que esté utilizando.

- Para alcanzar el volumen máximo cuando controla el sonido con la perilla de volumen de la radio, asegúrese de que el volumen de su dispositivo también esté al máximo nivel.
- Para desconectar el dispositivo actual y permitir la conexión de otro dispositivo habilitado para BLUETOOTH®, presione y mantenga presionado el botón **↔** durante 3 segundos. Cuando **↔** comience a parpadear, la radio estará lista para el emparejamiento.

## MODO AUXILIAR

Vea las figuras 6 y 7, página 12.

La radio pueden utilizarse para reproductores MP3, tocadiscos CD, teléfono inteligente, tabletas u otros dispositivos de música.

### Para utilizar el modo auxiliar:

- Presione el botón **MODE** hasta que el menú **AUX** aparezca destacado.
- Conecte el cable auxiliar incluido al dispositivo externo.
- Conecte el otro extremo del cable auxiliar al puerto **AUX** ubicado en la parte lateral de la radio.
- El dispositivo externo debe estar encendido y en modo "play" (en funcionamiento) para que el sonido pueda oírse a través de los parlantes.
- Todos los dispositivos externo pueden usarse normalmente mientras estén conectados al radio.

**NOTA:** Para cualquier dispositivo conectado a través del toma AUX, el volumen puede ajustarse usando el control de volumen de dicho dispositivo o usando la perilla del volumen del radioreceptor.

- El dispositivo externo no se apagará al apagar el radioreceptor.
- El toma AUX NO tiene función de carga.
- Para obtener las instrucciones completas sobre el funcionamiento del aparato conectado, consulte siempre el manual que se incluye con el aparato.



# FUNCIONAMIENTO

## EL PUERTO DE CARGA EXCLUSIVO PARA USB

Vea las figuras 6 y 8, página 12.

El puerto de carga exclusivo para USB proporciona potencia de carga CC de hasta 1 A para su teléfono celular, reproductor de MP3, tableta, u otros dispositivos USB.

### AVISO:

Si intenta cargar dispositivos de más de 1 A el puerto de carga exclusivo para USB y/o el dispositivo podrían dañarse.

- Conecte un extremo de un cable USB (no suministrado) a su dispositivo USB.
- Conecte el otro extremo del cable USB al puerto de carga exclusivo para USB para comenzar a cargar el dispositivo.

**NOTA:** El puerto de carga exclusivo para USB suministra solamente corriente eléctrica; no aporta capacidad de comunicación.

- Si la radio contiene un paquete de baterías cargado, el puerto de carga exclusivo para USB continuará funcionando aproximadamente 1 hora después de apagar la radio. Si la radio permanece inactiva después de este tiempo, se detendrá la carga. Encienda la radio para reanudar el funcionamiento.

## USO DE LA APLICACIÓN DE RADIO RIDGID EN SU DISPOSITIVO HABILITADO PARA BLUETOOTH®


Vea la figura 9, página 12.

La instalación de la aplicación de Radio RIDGID en su dispositivo habilitado para BLUETOOTH® le permite controlar muchas de las funciones de la radio desde el dispositivo.

- Desde la tienda de aplicaciones de su dispositivo habilitado para BLUETOOTH®, busque e instale la aplicación de Radio RIDGID.

- Abra la aplicación. El dispositivo se emparejará automáticamente.

**NOTA:** Si el dispositivo no se empareja automáticamente:

- Cierre la aplicación.
  - Mantenga presionado el botón de la radio  durante 3 segundos para desemparejar todas las señales de BLUETOOTH®, y vuelva a abrir la aplicación.
  - Si el emparejado aún no funciona, apague la radio durante 2 minutos y luego cierre y vuelva a abrir la aplicación.
- Presione el icono del menú en la esquina superior izquierda de la pantalla. Esto le mostrará las funciones disponibles que pueden controlarse con la aplicación.
  - Si se interrumpe la conexión BLUETOOTH® por alguna razón, presione el botón Reconectar en la aplicación de la radio RIDGID o cierre y vuelva a abrir la aplicación.

**NOTA:** Al emparejar el dispositivo para que funcione con la aplicación permite a la aplicación controlar la radio, pero NO prepara a la radio para transmitir audio. Para transmitir audio, deberá conectarse a la radio como se describe en **Transmisión de audio usando un dispositivo habilitado para BLUETOOTH® (no incluido).**

## USO DE LA APLICACIÓN DEL TELÉFONO INTELIGENTE

La aplicación RIDGID Radio App ofrece mayor funcionalidad, incluida la opción para registrar su radio.

- Descargue la RIDGID Radio App en la **App Store** o en **Google Play Store**.
- Siga las instrucciones provistas en la aplicación y la guía correspondiente para controlar su radio. Para obtener más información, visite [www.RIDGID.com](http://www.RIDGID.com).

## LOCALIZADOR INVERTIDO

Cuando esté conectado a la aplicación RIDGID Radio App, mantenga presionado el botón **MODE** (Modo) durante dos segundos; el localizador invertido buscará su dispositivo con conexión BLUETOOTH® y lo hará sonar.

# MANTENIMIENTO

## ADVERTENCIA:

Al dar servicio a la unidad, sólo utilice piezas de repuesto idénticas. El empleo de piezas diferentes podría causar un peligro o dañar el producto.

## MANTENIMIENTO GENERAL

Evite el empleo de solventes al limpiar piezas de plástico. La mayoría de los plásticos son susceptibles a diferentes tipos de solventes comerciales y pueden resultar dañados. Utilice paños limpios para eliminar la suciedad, el polvo, el aceite, la grasa, etc.

**Este producto tiene una política de satisfacción garantizada de 90 días y una garantía limitada de tres años. Para obtener detalles sobre la garantía y la política de satisfacción garantizada, diríjase a [www.RIDGID.com](http://www.RIDGID.com) o llame sin cargo al 1-866-539-1710.**

## CUMPLIMIENTO DE LAS NORMAS DE LA FCC

---

### **ADVERTENCIA:**

Los cambios o modificaciones hechos a esta unidad sin la autorización expresa del responsable del cumplimiento de la norma podrían anular la autoridad del usuario para manejar el equipo.

---

Este dispositivo cumple con la Parte 15 de las Reglas de FCC y con los estándares de la industria de RSS exentos de licencia de Canadá. El funcionamiento está sujeto a las siguientes dos condiciones: (1) Este dispositivo no debe causar interferencias perjudiciales, y (2) Este dispositivo debe admitir toda interferencia recibida, incluso aquella que pudiera dificultar el funcionamiento esperado.

**NOTA:** El ente que ofrece la garantía no es responsable por los cambios o modificaciones que no estén expresamente aprobados por la parte responsable del cumplimiento. Dichas modificaciones pueden anular la autoridad del usuario para hacer funcionar el equipo.

**NOTA:** Se ha verificado y determinado que este equipo cumple con los límites correspondientes a los dispositivos digitales de Clase B, de acuerdo con la Parte 15 de las Normas de la FCC. Estos límites están establecidos para proporcionar una protección razonable contra la interferencia dañina en las instalaciones residenciales. Este equipo genera, utiliza y puede irradiar energía de frecuencia de radio, y si no se instala y emplea de conformidad con las instrucciones, puede causar interferencia dañina a las radiocomunicaciones. No obstante, no hay garantía de que no ocurrirá ninguna interferencia en cada instalación en particular. Si este equipo causa interferencia dañina en la recepción de radio o televisión, lo cual puede determinarse apagando y luego encendiendo el equipo, se exhorta al usuario a tratar de corregir la interferencia tomando una o más de las siguientes medidas:

- Cambiar la orientación o ubicación de la antena receptora.
- Aumentar la separación entre el equipo y el aparato receptor.
- Conectar el equipo en una toma de corriente de un circuito diferente al que esté conectado el aparato receptor.
- Consultar al concesionario o a un técnico experimentado de radio y TV para que le brinden ayuda.

This device complies with Industry Canada license-exempt RSS standard(s). Operation is subject to the following two conditions: (1) this device may not cause interference, and (2) this device must accept any interference, including interference that may cause undesired operation of the device.

Según las regulaciones de Industria de Canadá, este transmisor de radio únicamente puede funcionar con una antena de un tipo y una ganancia máxima (o menor) para el transmisor aprobada por Industria de Canadá. Para reducir una potencial interferencia de radio a otros usuarios, el tipo de antena y su ganancia se deben elegir de forma tal que la potencia isotrópica radiada equivalente (p.i.r.e.) no exceda la necesaria para establecer la comunicación.

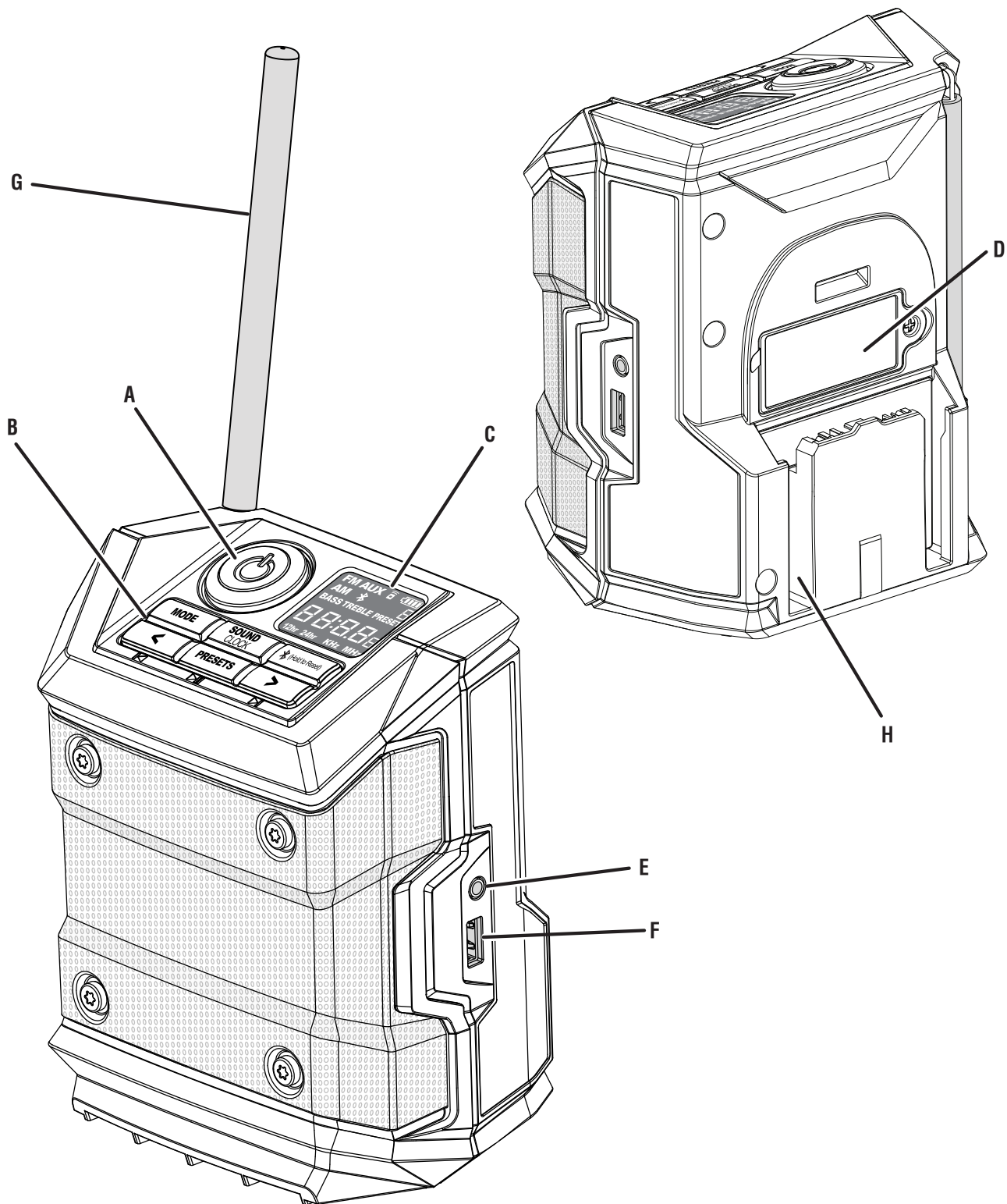
Este equipo cumple con los límites de exposición a la radiación FCC establecidos para un entorno no controlado. Este equipo se debe instalar y operar con una distancia mínima de 20 cm entre el elemento radiante y el cuerpo de la persona. Este transmisor no se debe ubicar junto o hacer operar en conjunto con cualquier otra antena o transmisor.

---

### **DECLARACIÓN DE LICENCIA DE BLUETOOTH®**

La marca y los logotipos BLUETOOTH® son marcas comerciales registradas de Bluetooth SIG, Inc. y cualquier uso de dichas marcas por RIDGID® se realiza bajo licencia. Los demás nombres y marcas comerciales son propiedad de sus respectivos dueños.

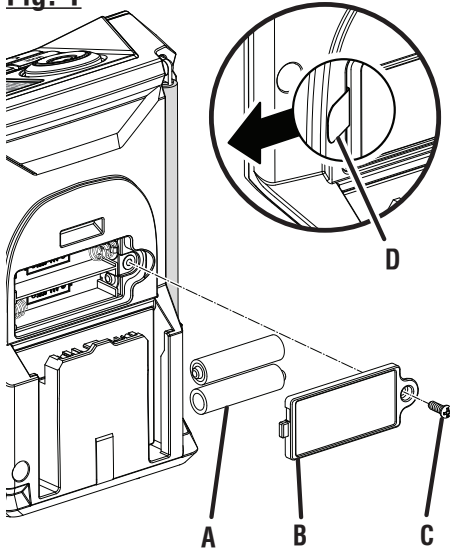




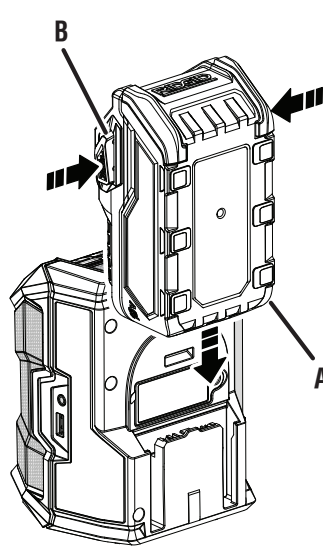
A - On/off/volume knob (bouton marche/arrêt et de réglage du volume, perilla de encendido/apagado/volumen)  
 B - Radio control panel (panneau de commande de la radio, panel de control de la radio)  
 C - LCD display (afficheur ACL, pantalla de cristal líquido)

D - AAA battery compartment (compartiment des piles AAA, compartimiento de la batería AAA)  
 E - Auxillary input jack (prise d'entrée auxiliaire, enchufe de entrada auxiliar)  
 F - USB dedicated charging port (port USB dédié à la charge, puerto de carga exclusiva para USB )

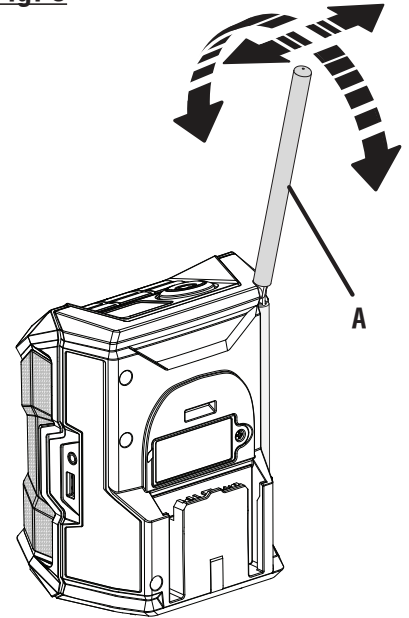
G - Fold-down rotatable flexible antenna (antenne rabattable, flexible et orientable; antena flexible giratoria plegable)  
 H - 18 Volt battery port (prise pour pile de 18 V, puerto de la batería de 18 voltios)

**Fig. 1**

- A - AAA batteries (piles AAA, baterías AAA)  
 B - Battery door (couverture du compartiment des piles, puerta del compartimento de las baterías)  
 C - Screw (vis, tornillo)  
 D - Pull tab (tirer la languette, orejeta de extracción)

**Fig. 2**

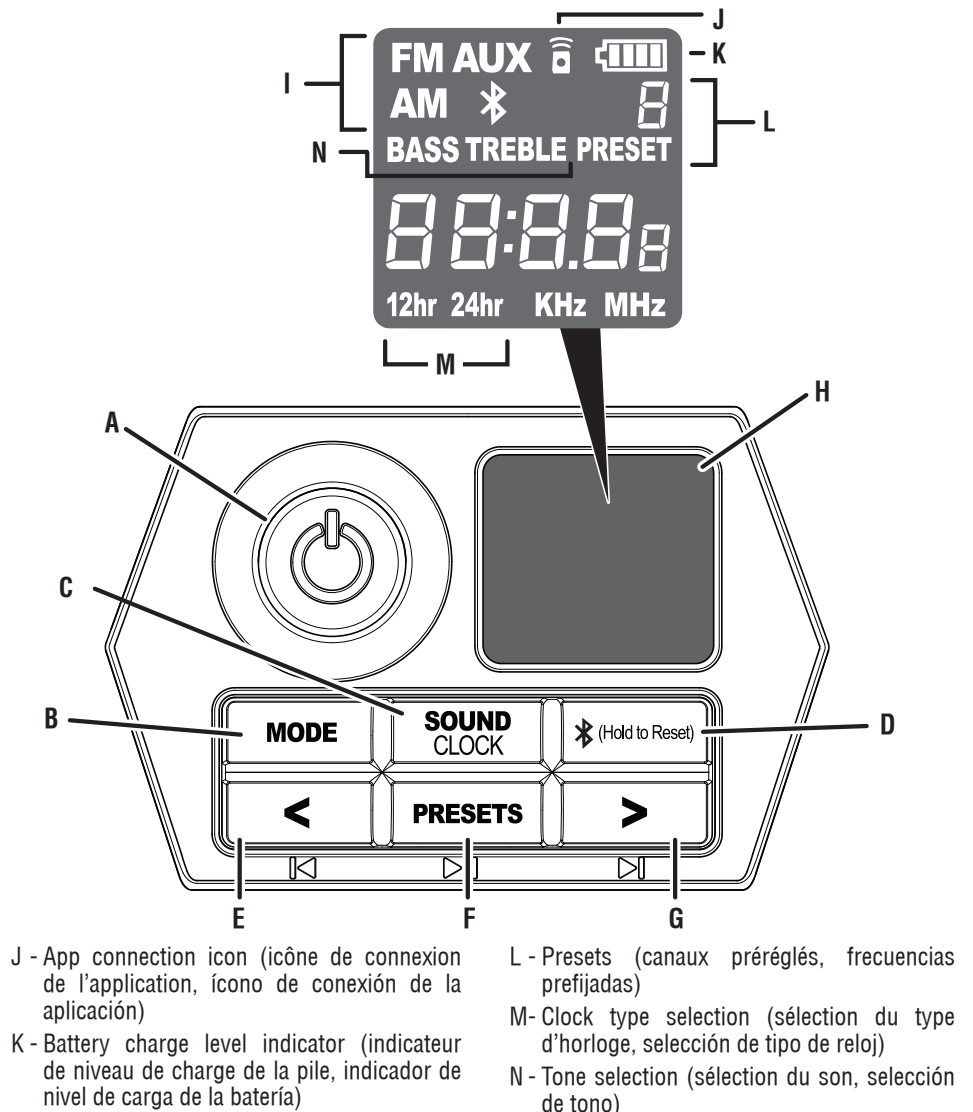
- A - Battery pack (bloc-pile, paquete de baterías)  
 B - Depress latches to release battery pack (appuyer sur les attaches pour retirer la pile, oprima los pestillos para soltar el paquete de batería)

**Fig. 3**

- A - Fold-down rotatable flexible antenna (antenne rabattable, flexible et orientable; antena flexible giratoria plegable)

**Fig. 4**

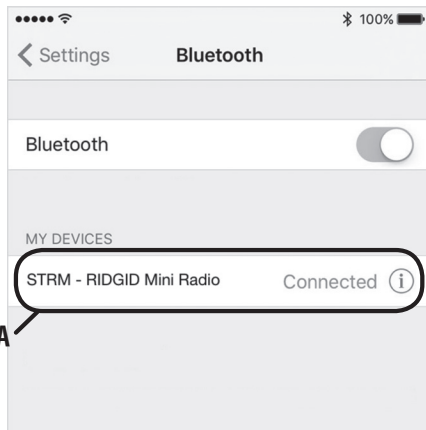
- A - ON/OFF/VOLUME knob (bouton marche/arrêt et de réglage du volume, perilla de encendido/apagado/volumen)  
 B - MODE button to select operating mode (bouton de mode pour sélectionner le mode de fonctionnement, botón de modo para seleccionar el modo de funcionamiento)  
 C - SOUND/CLOCK button to set/adjust clock and tone (bouton de SOUND/CLOCK pour définir/régler l'horloge et tonalité, botón CLOCK (reloj) para fijar/ajustar el reloj y tono)  
 D - \* button to enter BLUETOOTH® mode (bouton \* pour accéder au mode BLUETOOTH®, botón \* para ingresar al modo BLUETOOTH®)  
 E - Left arrow button (tune down) [bouton de flèche gauche (syntonisation), botón con flecha hacia la izquierda (sintonía hacia abajo)]  
 F - PRESETS button to store radio presets (bouton de préséglages pour sauvegarder les préséglages de la radio, botone para memoria prefijada para guardar los ajustes de radio preestablecidos)  
 G - Right arrow button (tune up) [bouton de flèche droite (syntonisation vers le haut), botón con flecha hacia la derecha (sintonía hacia arriba)]  
 H - LCD display (afficheur ACL, pantalla de cristal liquide)  
 I - Mode selection menu (FM, AM, AUX, BLUETOOTH®) [menu de sélection de mode (FM, AM, AUX, BLUETOOTH®), menú de selección de modos (FM, AM, AUX, BLUETOOTH®)]



- J - App connection icon (icône de connexion de l'application, ícono de conexión de la aplicación)  
 K - Battery charge level indicator (indicateur de niveau de charge de la pile, indicador de nivel de carga de la batería)

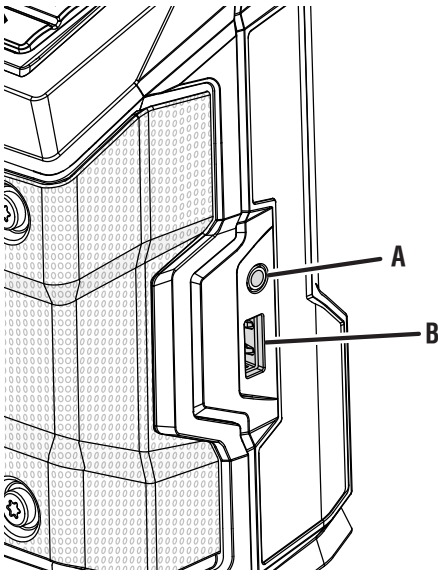
- L - Presets (canaux prééglés, frecuencias prefijadas)  
 M - Clock type selection (sélection du type d'horloge, selección de tipo de reloj)  
 N - Tone selection (sélection du son, selección de tono)

**Fig. 5**



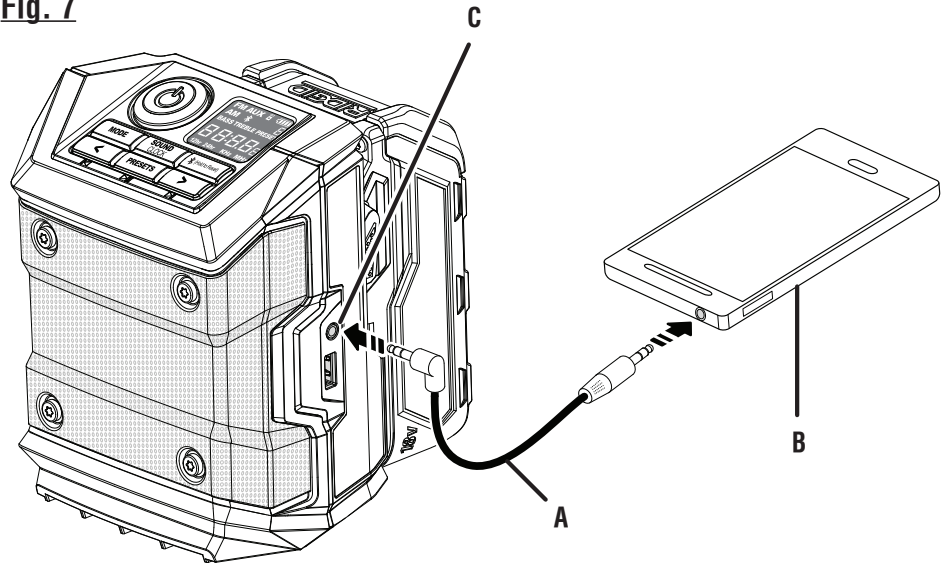
A - Select this device to allow streaming audio to play through your radio (sélectionner cette dispositif pour autoriser la lecture audio en continu par la radio, seleccione esta dispositivo para permitir que la transmisión de audio se reproduzca a través de la radio)

**Fig. 6**



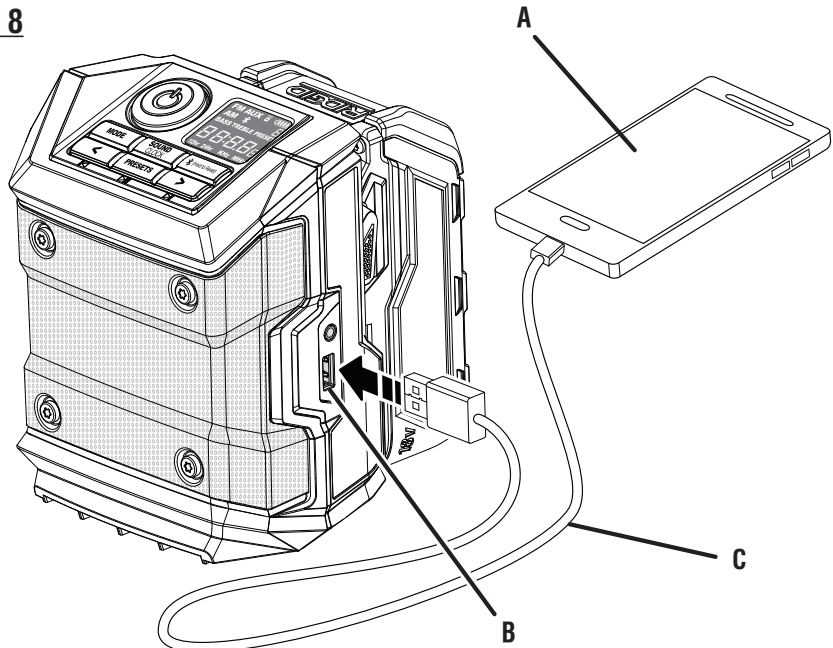
A - Auxiliary jack (entrée auxiliaire, entrada auxiliar)  
B - USB dedicated charging port (port USB dédié à la charge, puerto de carga exclusiva para USB)

**Fig. 7**



A - Auxiliary cable (câble auxiliaire, cable auxiliar)  
B - Phone/MP3 player (not included) [phone ou autre lecteur MP3 (non inclus), phone u otro reproductor de MP3 (no incluido)]  
C - Auxiliary jack (entrée auxiliaire, entrada auxiliar)

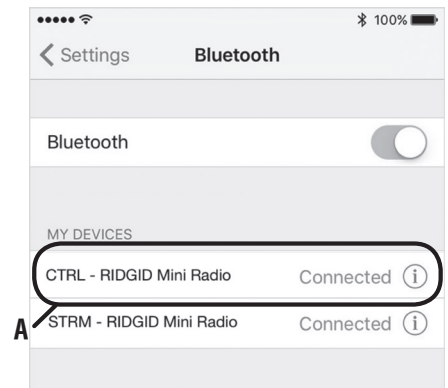
**Fig. 8**



A - External device (not included) [dispositif externe (non inclus), dispositivo externo (no incluido)]  
B - USB dedicated charging port (port USB dédié à la charge, puerto de carga exclusiva para USB)  
C - USB cable (not included) [câble USB (non inclus), cable USB (no incluido)]

**Fig. 9**

A - This connection allows your BLUETOOTH® enabled device to control many of the radio's functions (cette connexion permet au dispositif BLUETOOTH® de commander plusieurs fonctions de la radio, esta conexión le permite al dispositivo habilitado para BLUETOOTH® controlar muchas de las funciones de la radio)







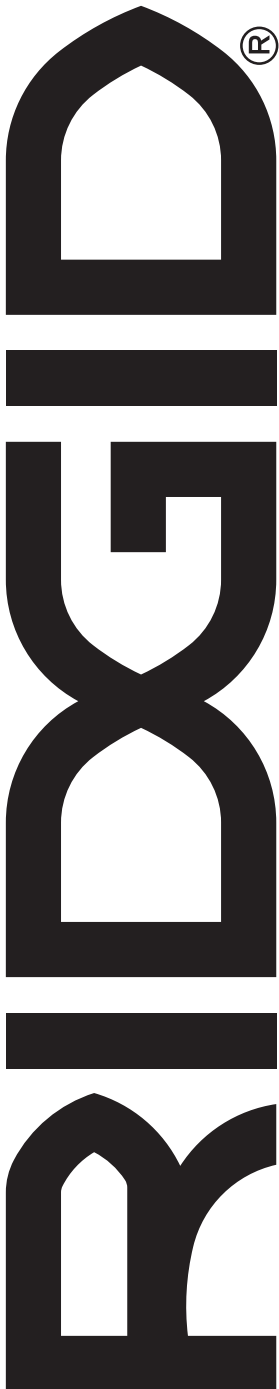


# OPERATOR'S MANUAL JOBSITE RADIO

## MANUEL D'UTILISATION RADIO DE CHANTIER

## MANUAL DEL OPERADOR RADIO PARA LA OBRA

R84086



### Customer Service Information:

For parts or service, do not return this product to the store. Contact your nearest RIDGID® authorized service center. Be sure to provide all relevant information when you call or visit. For the location of the authorized service center nearest you, please call 1-866-539-1710 or visit us online at [www.RIDGID.com](http://www.RIDGID.com).

MODEL NO. \_\_\_\_\_ SERIAL NO. \_\_\_\_\_

---

### Service après-vente :

Pour acheter des pièces ou pour un dépannage, ne pas retourner ce produit au magasin. Contacter le centre de réparations RIDGID® agréé le plus proche. Veiller à fournir toutes les informations pertinentes lors de tout appel téléphonique ou visite. Pour obtenir l'adresse du centre de réparations agréé le plus proche, téléphoner au 1-866-539-1710 ou visiter notre site [www.RIDGID.com](http://www.RIDGID.com).

NO. DE MODÈLE \_\_\_\_\_ NO. DE SÉRIE \_\_\_\_\_

---

### Información sobre servicio al consumidor:

Para piezas de repuesto o servicio, no devuelva este producto a la tienda. Comuníquese con el centro de servicio autorizado de productos RIDGID® de su preferencia. Asegúrese de proporcionar todos los datos pertinentes al llamar o al presentarse personalmente. Para obtener información sobre el centro de servicio autorizado más cercano a usted, le suplicamos llamar al 1-866-539-1710 o visitar nuestro sitio en la red mundial, en la dirección [www.RIDGID.com](http://www.RIDGID.com).

NÚM. DE MODELO \_\_\_\_\_ NÚM. DE SERIE \_\_\_\_\_

### ONE WORLD TECHNOLOGIES, INC.

P.O. Box 1427  
Anderson, SC 29622 USA  
1-866-539-1710 ■ [www.RIDGID.com](http://www.RIDGID.com)

*RIDGID is a registered trademark of RIDGID, Inc., used under license.*

995000146  
7-18-17 (REV:01)