



## **POWERVAC™**

**Item No. 51988—318000001 and Up  
Manufacturing No. 090157006**

### **Parts Catalog**

---

#### **Ordering Replacement Parts**

To order replacement parts, please supply: the part number, the quantity, and the description of each part.

#### **Understanding Reference Numbers**

Each identified part in an illustration has a reference number. The reference number for a part also appears in the list, along with other information about the part.

#### **Understanding Figure Numbers**

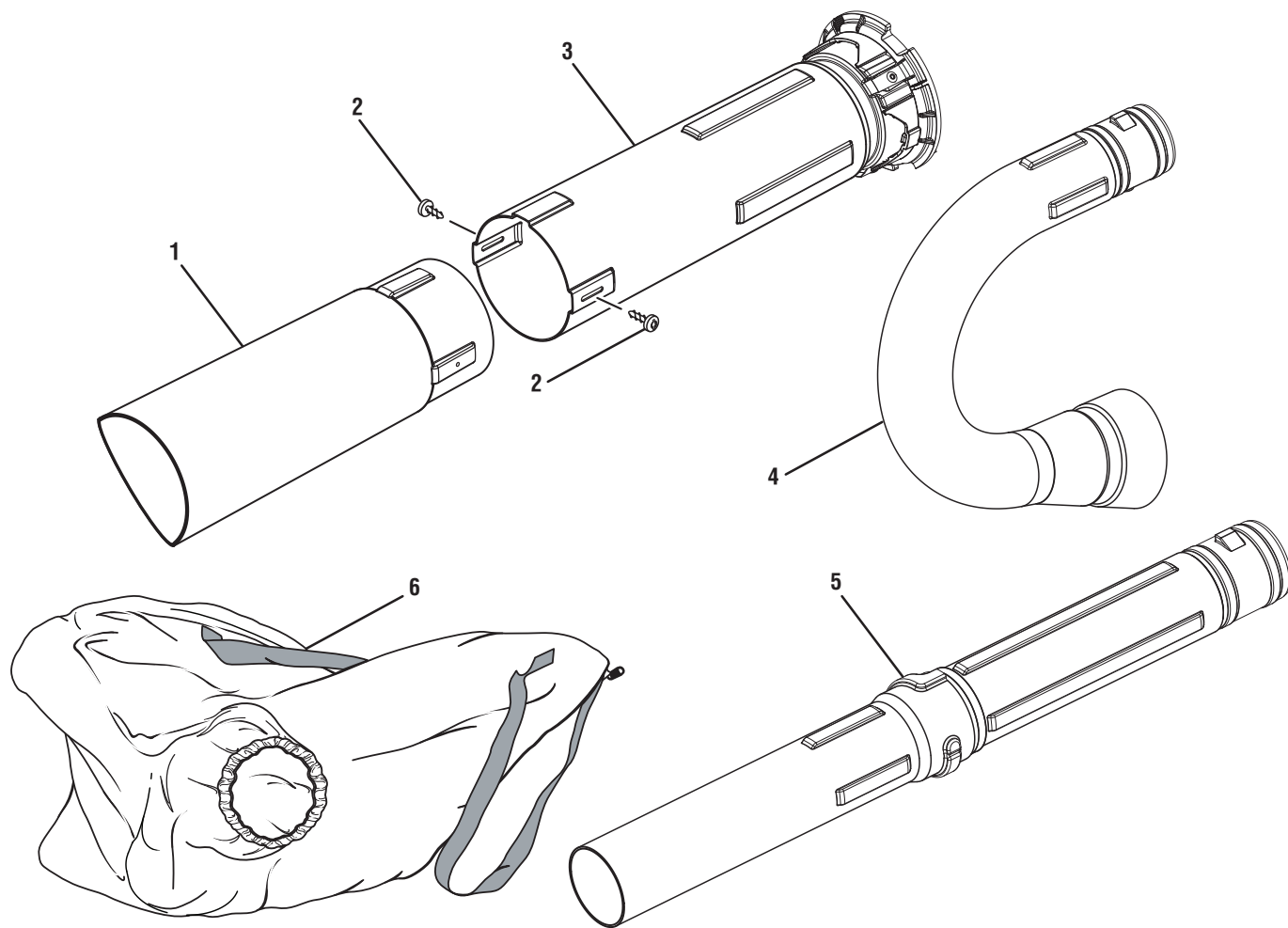
This catalog uses two special reference number formats, one to indicate parts in a service assembly and another to indicate a Figure Number.

Figure Numbers are represented as a Sub-Assembly which follow the exploded views.

Sub-Assemblies can be ordered as an Assembly or you may order any part individually.

TORO BLOWER/VACUUM – MODEL NUMBER 51988

FIGURE A

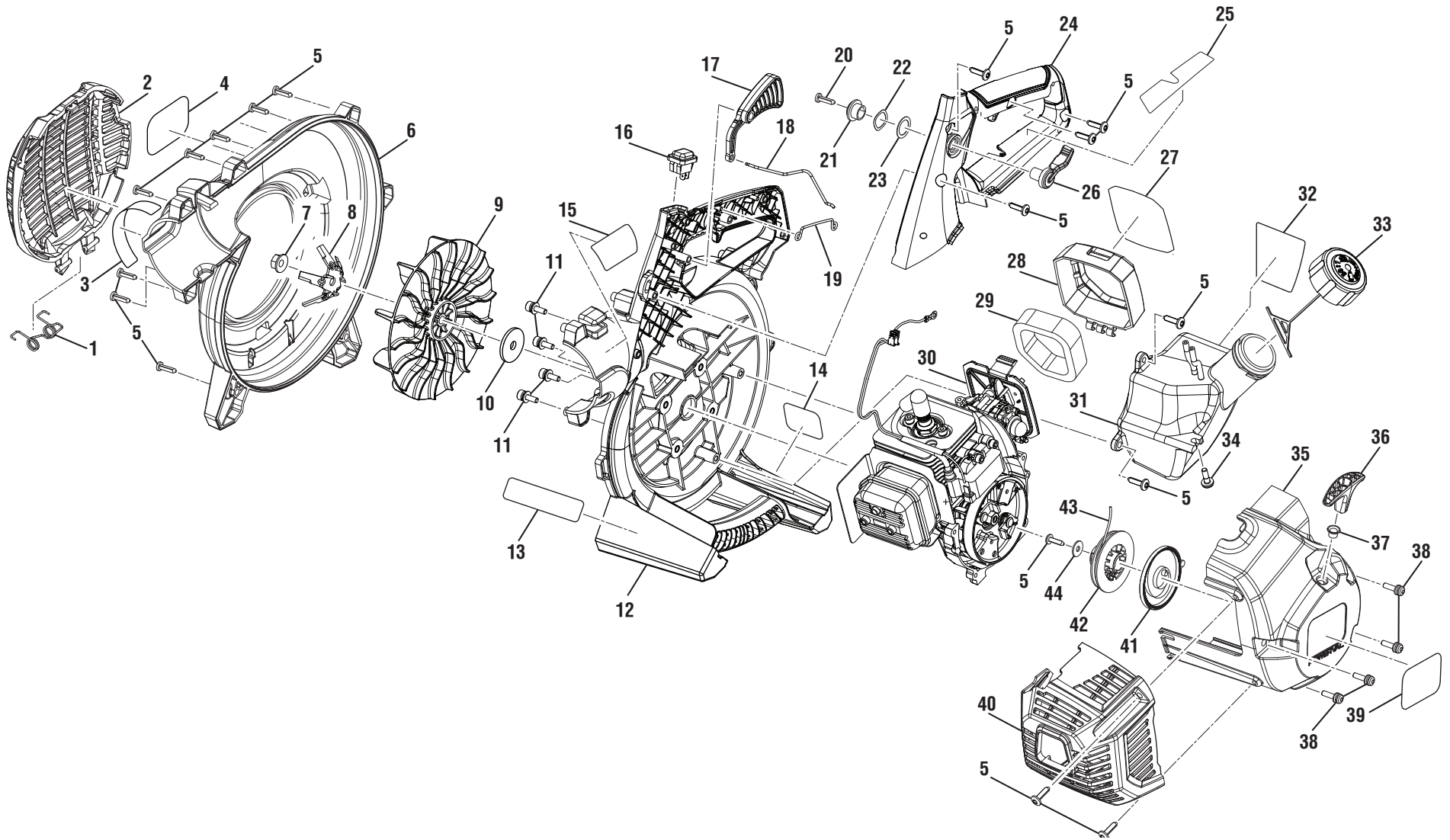


PARTS LIST

KEY NO.	PART NUMBER	DESCRIPTION	QTY	KEY NO.	PART NUMBER	DESCRIPTION	QTY
1	580955001	Lower Vacuum Tube.....	1	5	360015001	Blower Tube Assembly.....	1
2	660621001	Screw (#10-14 x 1/2 in., T25 Torx Hd.) .....	2	6	970694003	Vacuum Bag Assembly .....	1
3	311954001	Upper Vacuum Tube.....	1	<b>Not shown:</b>			
4	580956001	Vacuum Bag Adaptor .....	1	991000141	Operator's Manual		

TORO BLOWER/VACUUM – MODEL NUMBER 51988

FIGURE B



**TORO BLOWER/VACUUM – MODEL NUMBER 51988**

**FIGURE B**

**PARTS LIST**

<b>KEY NO.</b>	<b>PART NUMBER</b>	<b>DESCRIPTION</b>	<b>QTY</b>	<b>KEY NO.</b>	<b>PART NUMBER</b>	<b>DESCRIPTION</b>	<b>QTY</b>
1	694143002	Vacuum Door Hinge .....	1	23	631049004	Washer (22.5OD x 16ID x 0.5t) .....	1
2	527987001	Vacuum Door.....	1	24	203384001	Handle Cover Assembly (Incl. Key No. 25) .....	1
3	941727006	Warning Icon Label .....	1	25	941727005	Icon Warning Strip.....	1
4	940907028	Logo Label (Right) .....	1	26	527985001	Cruise Control Lever .....	1
5	660629005	Screw (10-14 x 3/4 in.) .....	17	27	940908003	Starting Instructions Label .....	1
6	203383001	Outer Volute Assembly (Incl. Key Nos. 3-4) .....	1	28	203385001	Air Box Cover Assembly (Incl. Key. No. 27) .....	1
7	678018001	Flanged Lock Nut (M8 x 1.25, LH) .....	1	29	560873001	Air Filter .....	1
8	678114004	Mulching Blade .....	1	30	See Fig. C	Power Head Assembly .....	1
9	527982001	Blower Fan .....	1	31	203381001	Fuel Tank Assembly (Incl. Key Nos. 32-33).....	1
10	638125008	Washer (ID8 x OD34 x 3t).....	1	32	940991054	E85 Label .....	1
11	660351001	Screw (M5 x 16mm, Torx Pan Hd.).....	4	33	310816015	Fuel Cap .....	1
12	203657001	Engine Shroud Assembly (Incl. Key Nos. 13-15).....	1	34	662274001	Screw (M5 x 16 mm) .....	1
13	940654088	Combustion Warning Label.....	1	35	310000001	Starter Housing Assembly (Incl. Key No. 39) .....	1
14	940907027	Logo Label (Rear) .....	1	36	525485008	Starter Grip.....	1
15	941727009	Tube Removal Label.....	1	37	638088002	Eyelet.....	1
16	760961005	Switch.....	1	38	660344001	Screw (M5 x 20 mm, Torx Pan Hd.).....	4
17	527926001	Throttle Lever .....	1	39	940907029	Logo Label (Left) .....	1
18	308209004	Throttle Cable Assembly .....	1	40	527925001	Muffler Cover.....	1
19	290469001	Ground Wire Assembly.....	1	41	638033001	Spring Holder Assembly.....	1
20	660629002	Screw (10-14 x 3/4 in., T25 Torx Hd. T.F.).....	1	42	527983001	Starter Pulley .....	1
21	527986001	Throttle Trigger Activator.....	1	43	900849012	Starter Rope.....	1
22	632423001	Wavy Washer (21.7OD x 16.5ID) .....	1	44	678587001	Washer (ID6.2 x OD18 x 1.5t).....	1

To locate a source for replacement parts, contact us toll free at 1-866-574-9242 (US) or 1-866-574-9243 (Canada).

FIGURE C

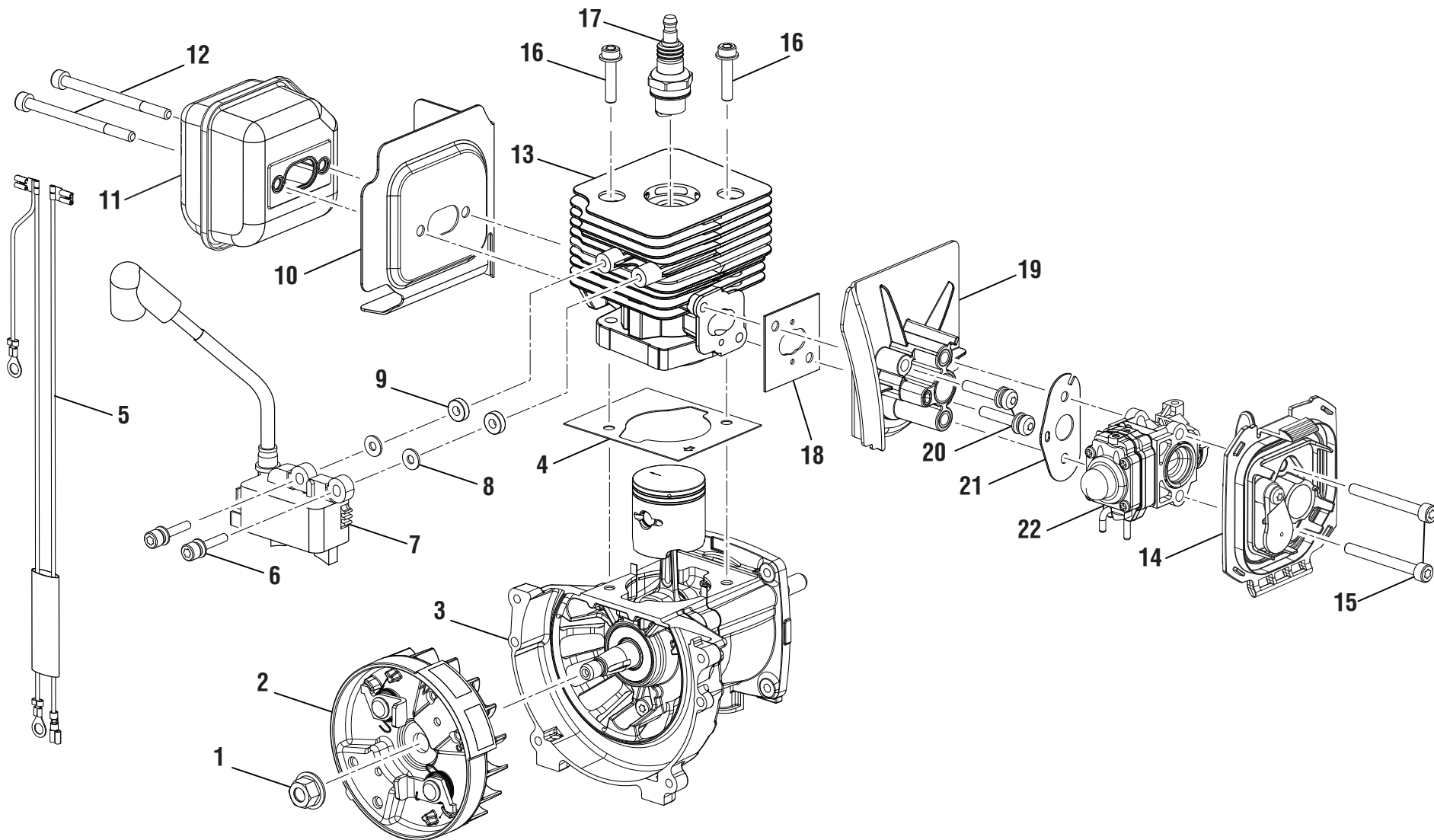


FIGURE C

PARTS LIST

KEY NO.	PART NUMBER	DESCRIPTION	QTY	KEY NO.	PART NUMBER	DESCRIPTION	QTY
1	690689001	Nut (M8).....	1	13	642368002	Cylinder .....	1
2	307201002	Flywheel Assembly.....	1	14	310997003	Air Box Cover Base Assembly .....	1
3	307366001	Crankcase and Piston Assembly .....	1	15	660347003	Screw (M5 x 45 mm, Torx T25).....	2
4	900709007	Gasket .....	1	16	660342001	Screw (M5 x 22 mm) .....	2
5	291388002	Wire Harness.....	1	17	870174001	Spark Plug (RCJ6Y).....	1
6	660968004	Screw (M4 x 22 mm, Torx T20).....	2	18	562927008	Cylinder Gasket.....	1
7	290178029	Ignition Module.....	1	19	528049001	Heat Sink.....	1
8	690969001	Washer (4.2ID x 10OD x 1t).....	2	20	662210002	Screw (M5 x 30 mm, Torx T25).....	2
9	590462001	Spacer .....	2	21	900711015	Carburetor Gasket.....	1
10	639243002	Muffler Gasket.....	1	22	308480002	Carburetor Assembly .....	1
11	300748042	Muffler Assembly.....	1		<b>NOT SHOWN:</b>		
12	662169001	Screw (M5 x 65 mm, Torx T25).....	2		120900226	High Altitude Kit	

To locate a source for replacement parts, contact us toll free at 1-866-574-9242 (US) or 1-866-574-9243 (Canada).



This product is manufactured under license from The Toro Company by Techtronic Industries North America, Inc.

**Techtronic Industries Power Equipment**

P.O. Box 1427  
Anderson, SC 29622  
USA

**Customer Service Information**

If your product requires service or maintenance,  
contact your nearest authorized service dealer.

To locate your nearest authorized service dealer for this product,  
contact us toll free at 1-866-574-9242 (US) or 1-866-574-9243 (Canada).