



ARIENS

Ikon-X

Parts Manual

Models:

915220
915222
915223
915224
915225



THE MANUAL

Before you operate your unit, carefully and completely read manuals supplied with the unit. The contents will provide you with an understanding of safety instructions and controls during normal operation and maintenance.

For your safety and the safety of others always read, understand, and follow all DANGER, WARNING, and CAUTION messages found in manuals and on safety decals.

Hardware descriptions are given in decimals.

Decimals to Fractions			
.063	1/16	.563	9/16
.125	1/8	.625	5/8
.188	3/16	.688	11/16
.250	1/4	.750	3/4
.313	5/16	.813	13/16
.375	3/8	.875	7/8
.438	7/16	.938	15/16
.500	1/2	1.00	1

SERVICE AND REPLACEMENT PARTS

When ordering replacement parts or making service inquiries, know the Model and Serial numbers of your unit and engine.

Numbers are located on the product registration card in the unit literature package. They are printed on a serial number label, located on the frame of your unit.

- Record Unit Model and Serial numbers here:

- Record Engine Model and Serial numbers here:

UNAUTHORIZED REPLACEMENT PARTS

Use only Ariens replacement parts. The replacement of any part on this vehicle with anything other than an Ariens authorized replacement part may adversely affect the performance, durability, or safety of this unit and may void the warranty. Ariens disclaims liability for any claims or damages, whether warranty, property damage, personal injury or death arising out of the use of unauthorized replacement parts.

PRODUCT REGISTRATION

The Ariens dealer must register the product at the time of purchase. Registering the product will help the company process warranty claims or contact you with the latest service information. All claims meeting requirements during the limited warranty period will be honored, whether or not the product registration card is returned. Keep a proof of purchase if you do not register your unit.

Customer Note: If Dealer does not register your product, please fill out, sign and return the product registration card to Ariens or go to www.ariens.com.

YOUR SATISFACTION IS IMPORTANT

Questions? Please follow these helpful steps:

1. Refer to the manuals supplied with your unit.
They will guide you through safe and proper operation and maintenance.
They contain specifications on your unit.
If your questions are not answered in these manuals, go to step number two.
2. Contact Your Dealer.
Our dealers will be happy to supply any service or advice required to keep your unit operating at peak efficiency.

A factory trained staff is available to support your equipment needs. They stock genuine Ariens parts and lubricants manufactured with the same precision and skill as the original.

If your questions are not resolved by the support staff, ask for the manager or owner.

When contacting your Dealer supply your model and serial numbers.

TO SPEED PARTS ORDERING:

1. Know the model and serial numbers of your unit.
2. Know the part number required.
3. Know the quantity required.
4. Know the part description.

MODELS

Model 915220 (Ikon-X 42)

Kohler 22HP, 42" Mower Deck
Serial No. 035000 - 044999

Model 915222 (Ikon-X 52)

Kohler 24HP, 52" Mower Deck
Serial No. 035000 - 044999

Model 915223 (Ikon-X 52)

Kawasaki FR691 23HP, 52" Mower Deck
Serial No. 035000 - 044999

Model 915224 (Ikon-X 42) CARB

Kohler 22HP, 42" Mower Deck
Serial No. 035000 - 044999

Model 915225 (Ikon-X 52) CARB

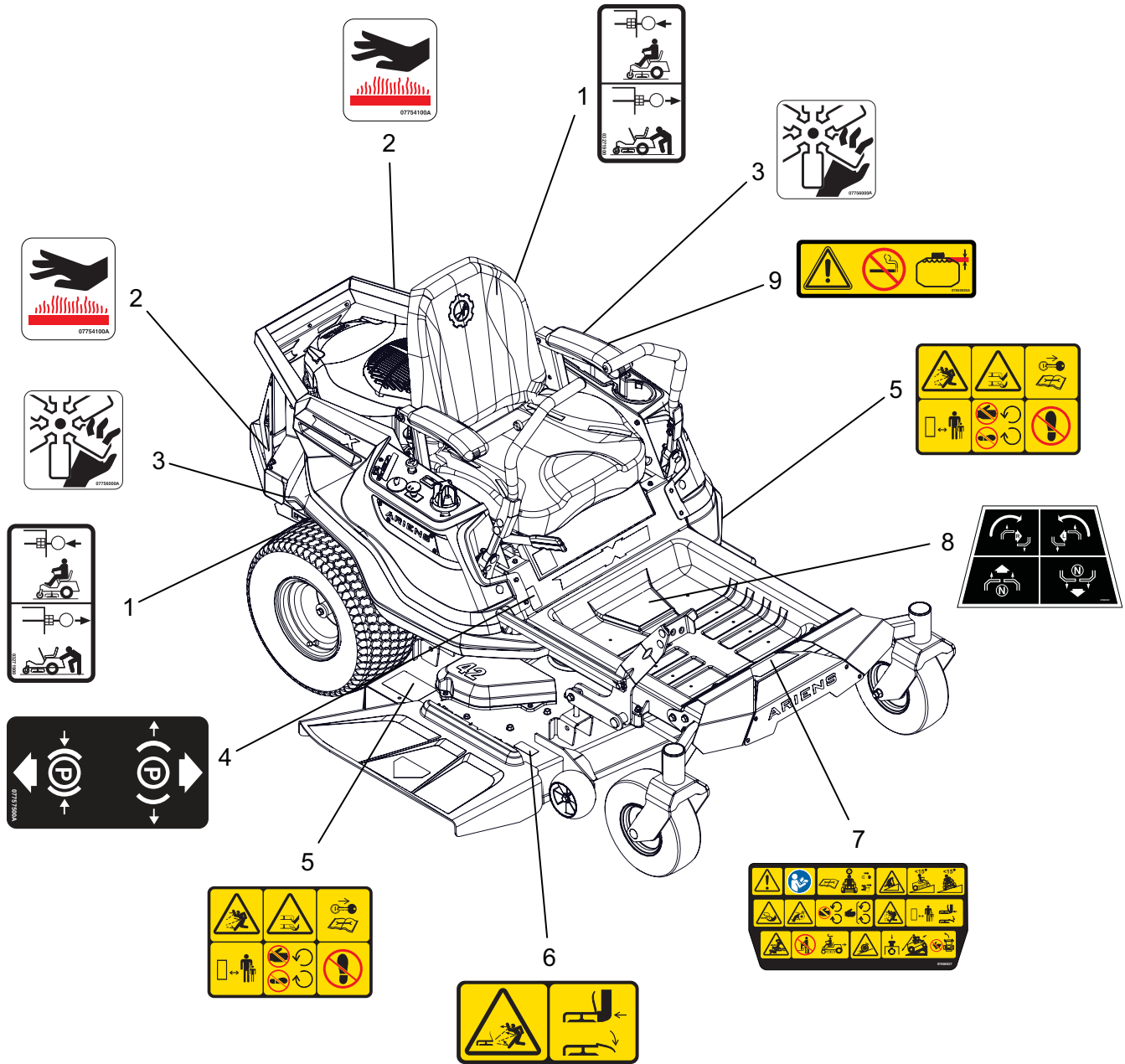
Kawasaki FR691 23HP, 52" Mower Deck
Serial No. 035000 - 044999

TABLE OF CONTENTS

Decals – Safety	4
Decals – Style 42"	5
Decals – Style 52"	6
Frame	7
Engine – Kohler 22HP	8
Engine – Kohler 24HP	9
Engine – Kawasaki FR691	10
Seat	11
Bumper	12
Fenders	13
Fuel System – Non-CARB	14
Fuel System – CARB	15
Control Panel	16
Electrical	17
Wiring Diagram	18
Front Caster Wheels	19
Rear Tires and Transaxles	20
Transaxle Drive	21
Controls	22
Parking Brake	23
Deck Lift	24
Height of Cut	25
Deck Mount	26
Deck, Belt, Blades and Spindles – 42"	27
Deck, Belt, Blades and Spindles – 52"	28
Idlers and Sheaves – 42"	29
Idlers and Sheaves – 52"	30
Anti-Scalp Rollers – 42"	31
Anti-Scalp Rollers – 52"	32
Belt Covers – 42"	33
Belt Covers – 52"	34
Chute	35

DECALS – SAFETY

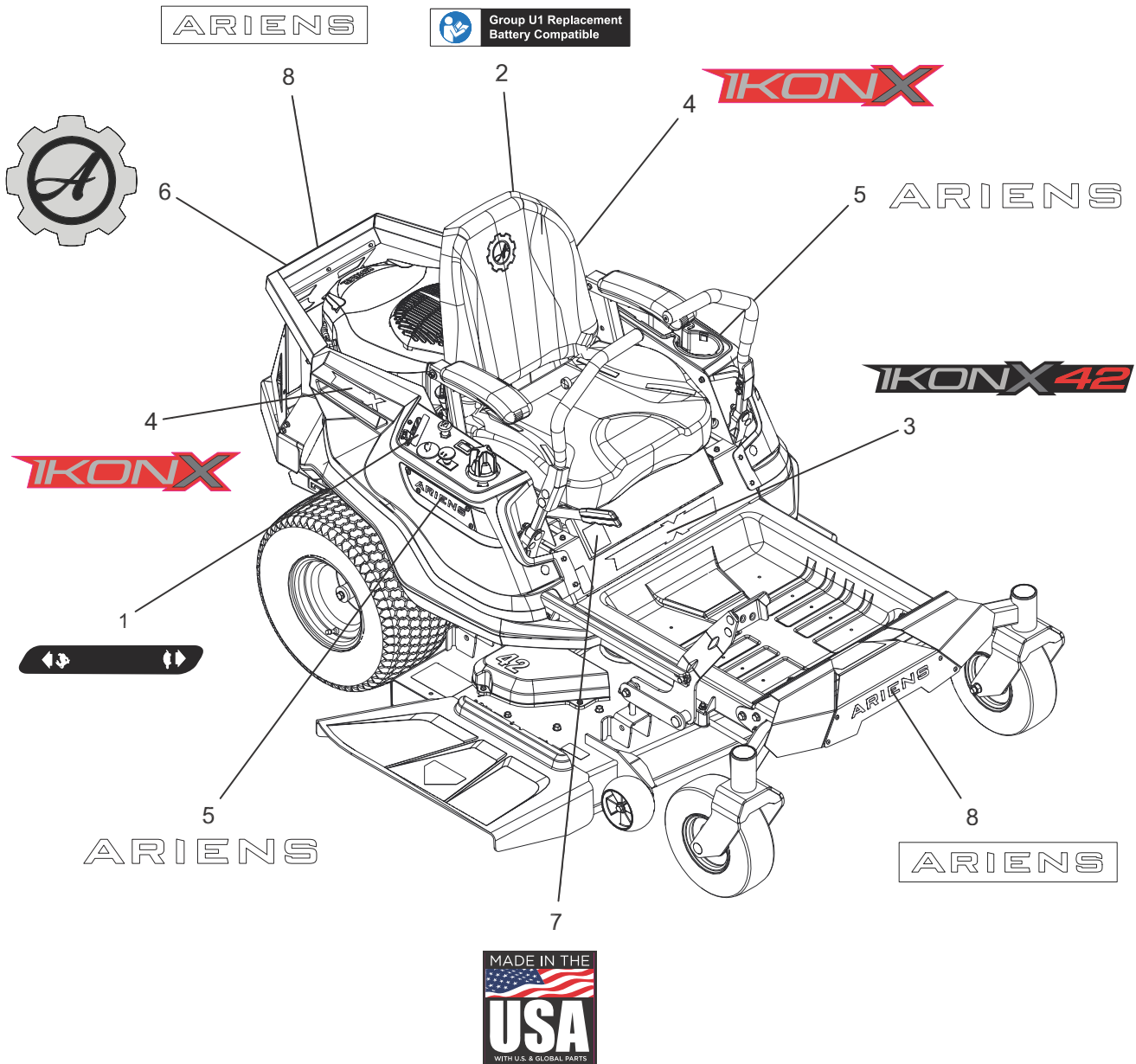
Models ALL



BOM ID	Number	Qty	Description
1	03271900	2	DECAL, TRANSMISSION DISCONNECT
2	07754100	2	DECAL HOT SURFACE
3	07756000	2	DECAL, DANGER - FAN
4	07757500	1	DECAL, PARKING BRAKE LEVER
5	07800340	2	DECAL, SAFETY - MOWER DECK
6	07800402	1	DECAL, SAFETY - DECK GUARDING
7	07800537	1	DECAL, MAIN SAFETY-IKON ZTX
8	07800541	1	DECAL, STEERING
9	07800820	1	DECAL, FUEL WARNING

DECALS – STYLE 42"

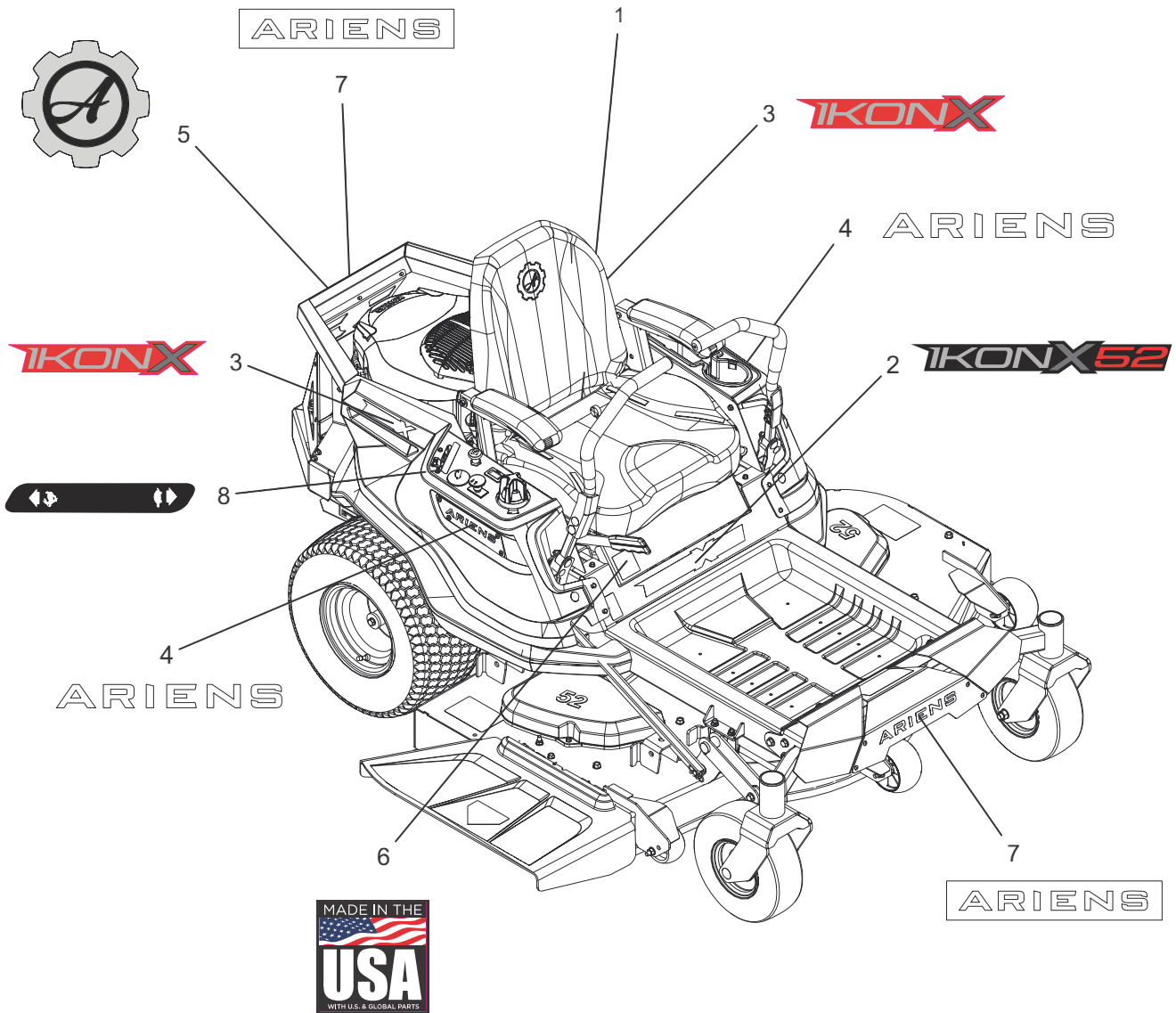
Models 915220, 224



BOM ID	Number	Qty	Description
1	07800540	1	DECAL, DASH
2	07800336	1	DECAL, U1 REPLACEMENT BATTERY
3	07800822	1	DECAL, IKON-X 42 KICKPLATE
4	07800827	2	DECAL, IKON-X FENDER
5	07800829	2	DECAL, ARIENS 6.00"
6	08001034	1	DECAL, ARIENS
7	08001038	1	DECAL, MADE IN USA
8	08001108	2	DECAL, ARIENS - BADGE

DECALS – STYLE 52"

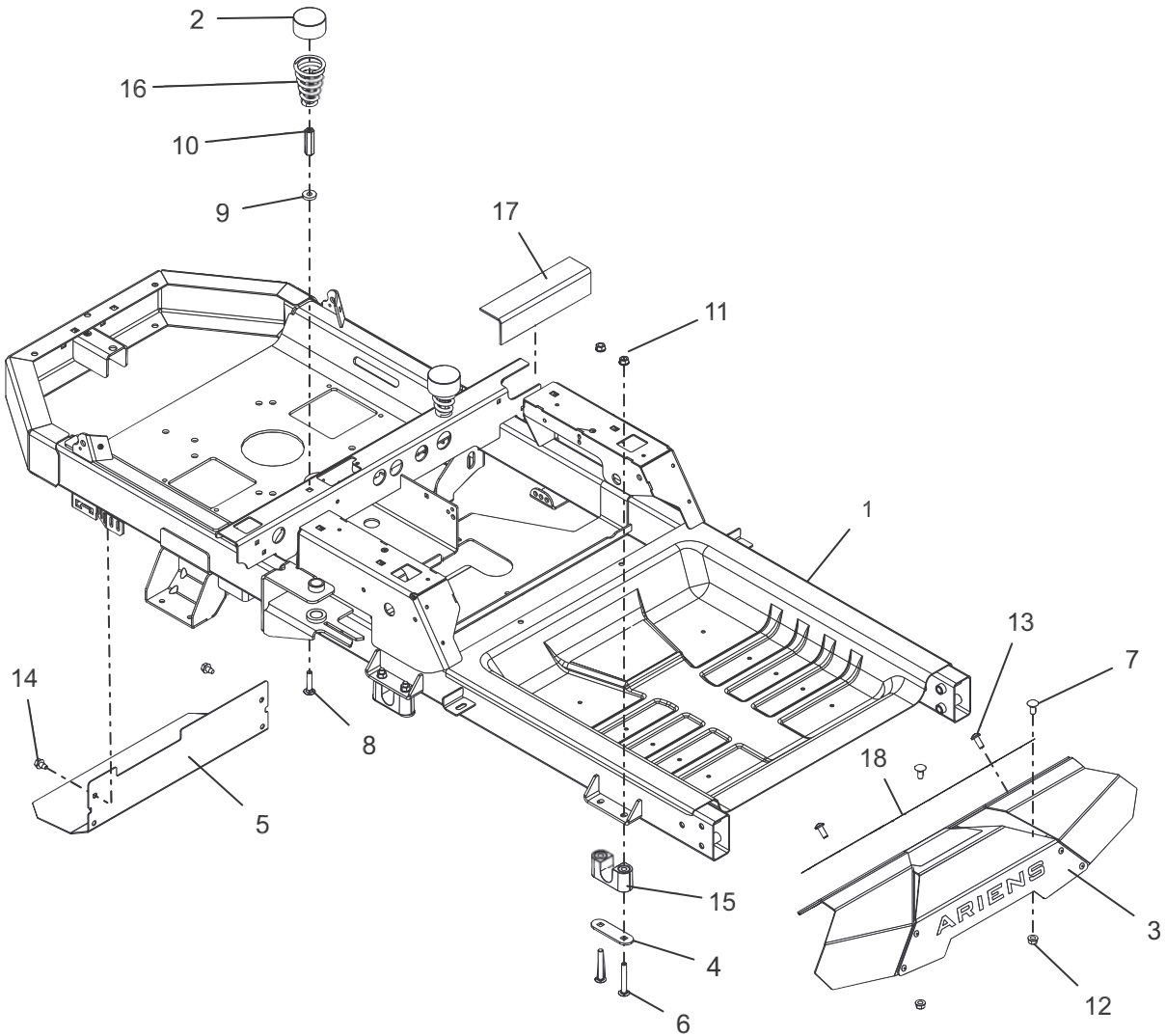
Models 915222, 223, 225



BOM ID	Number	Qty	Description
1	07800336	1	DECAL, U1 REPLACEMENT BATTERY
2	07800823	1	DECAL, IKON-X 52 KICKPLATE
3	07800827	2	DECAL, IKON-X FENDER
4	07800829	2	DECAL, ARIENS 6.00"
5	08001034	1	DECAL, ARIENS
6	08001038	1	DECAL, MADE IN USA
7	08001108	2	DECAL, ARIENS - BADGE
8	07800540	1	DECAL, DASH

FRAME

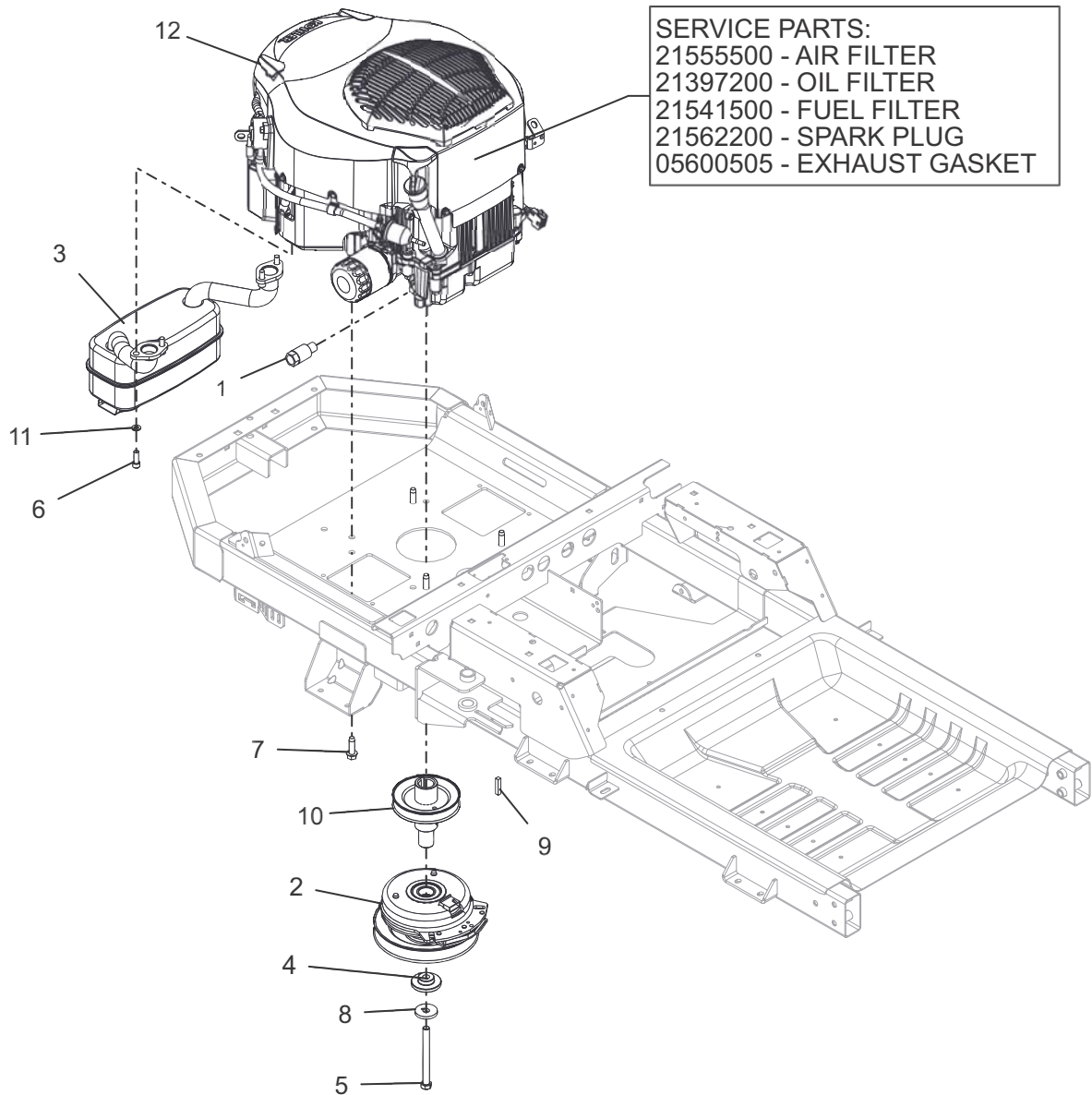
Models All



BOM ID	Number	Qty	Description
1	51531600	1	WLDMT, FRAME IKON
2	00337700	2	HUB CAP
3	51531300	1	KIT, IKON FOOTREST W/ DECAL
4	04766551	4	PLATE, BEARING SUPPORT
5	04807951	1	HEAT, SHIELD
6	06200226	8	BLT-RDHDSQSHNK .31-18X2.25 YWZC
7	06200232	2	BTL,RHSN .313-18 X 0.75 G5 ZCC
8	06200233	2	BTL,RHSN .313-18 X 1.5 G5 ZCC
9	06401103	2	WSHR-FL-STL 0.328X0.87X0.179 ZCC
10	06500015	2	NUT, COUPLER 5/16-18 x 1.75
11	06500840	8	NUT, FLG-CTR LK .312-18 GR5 ZCC
12	06500904	2	NUT, FLG-TOP LK .312-18 GR5 ZCC
13	07400120	2	SCR-RDHDSKTAP .31-18X.75
14	07400124	2	SCR-TAP .312-18X.50 HWH ZCC
15	07500327	4	BSHG, DECK
16	08300021	2	SPRG, COMPRESSION
17	04864600	1	PAD, RBR -TANK
18	05112300	1	GRIP, FOOT PLATE

ENGINE – KOHLER 22HP

Models 915220, 224

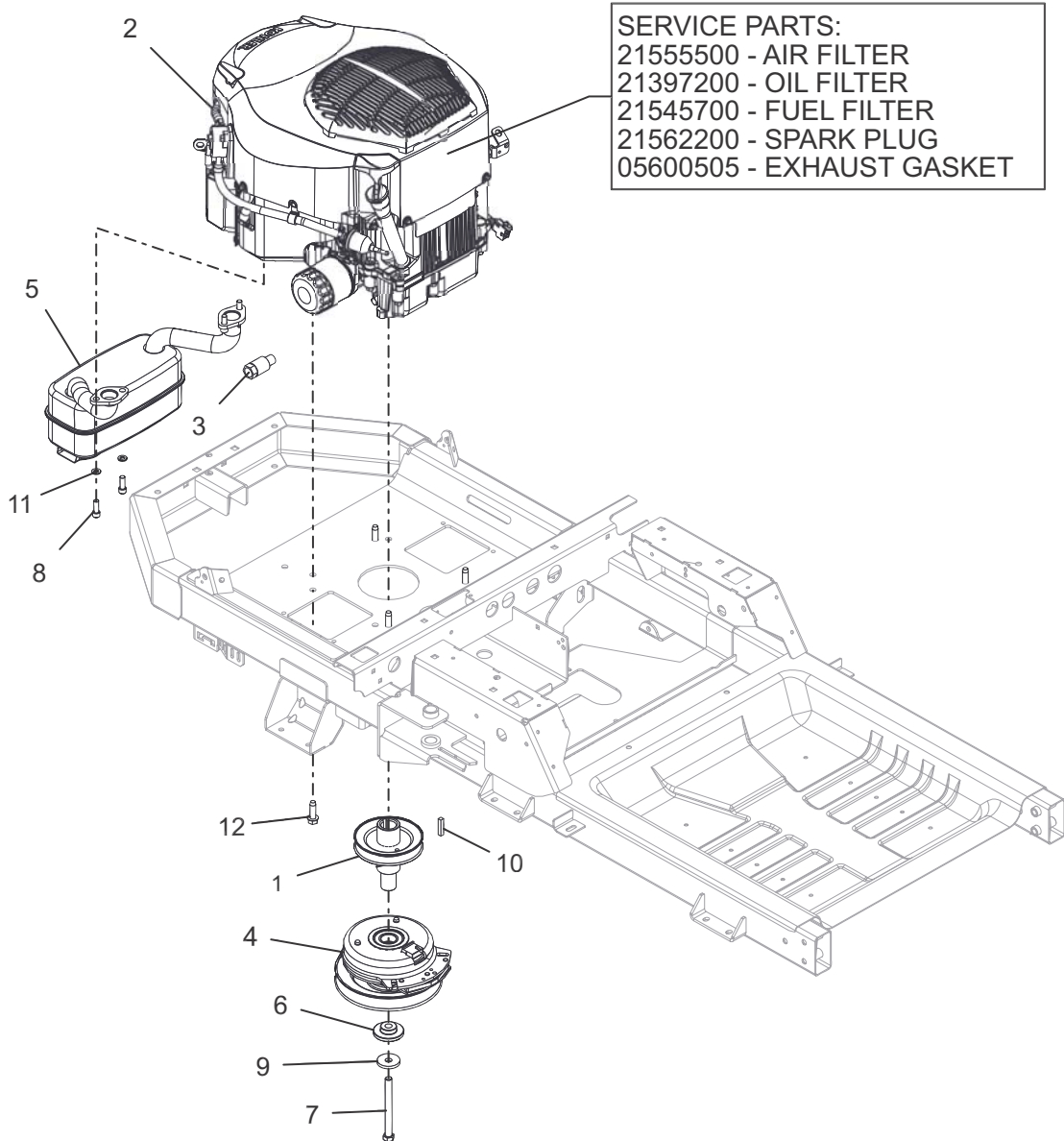


SERVICE PARTS:
 21555500 - AIR FILTER
 21397200 - OIL FILTER
 21541500 - FUEL FILTER
 21562200 - SPARK PLUG
 05600505 - EXHAUST GASKET

BOM ID	Number	Qty	Description
1	03943600	1	DRAIN, OIL
2	04678300	1	CLUTCH, ELEC 105 FT LB MONOPOLE 6.83"
3	05088400	1	MUFFLER, KOHLER
4	05501206	1	BSHG, -FLG .469 x 1.06 x .574 x 2.0
5	05901707	1	BLT-HEX .44-20X4.50 GR8 YWZC NYTORQ
6	05901839	4	SCR, SKH .312-18X.875 GR8 ZCC
7	07400128	4	SCR-TAP .38-16X1.25 HWH ZCC
8	06400936	1	WSHR, 7/16" SPRING DISC
9	06603400	1	KEY-SQ .250X.250X1.250
10	07345100	1	WLDMT, DRIVE SHEAVE
11	06300119	4	WSHR,LK-REG 0.314 X 0.078 ZCC
12	08201140	1	ENGINE, KOHLER 22HP TWIN

ENGINE – KOHLER 24HP

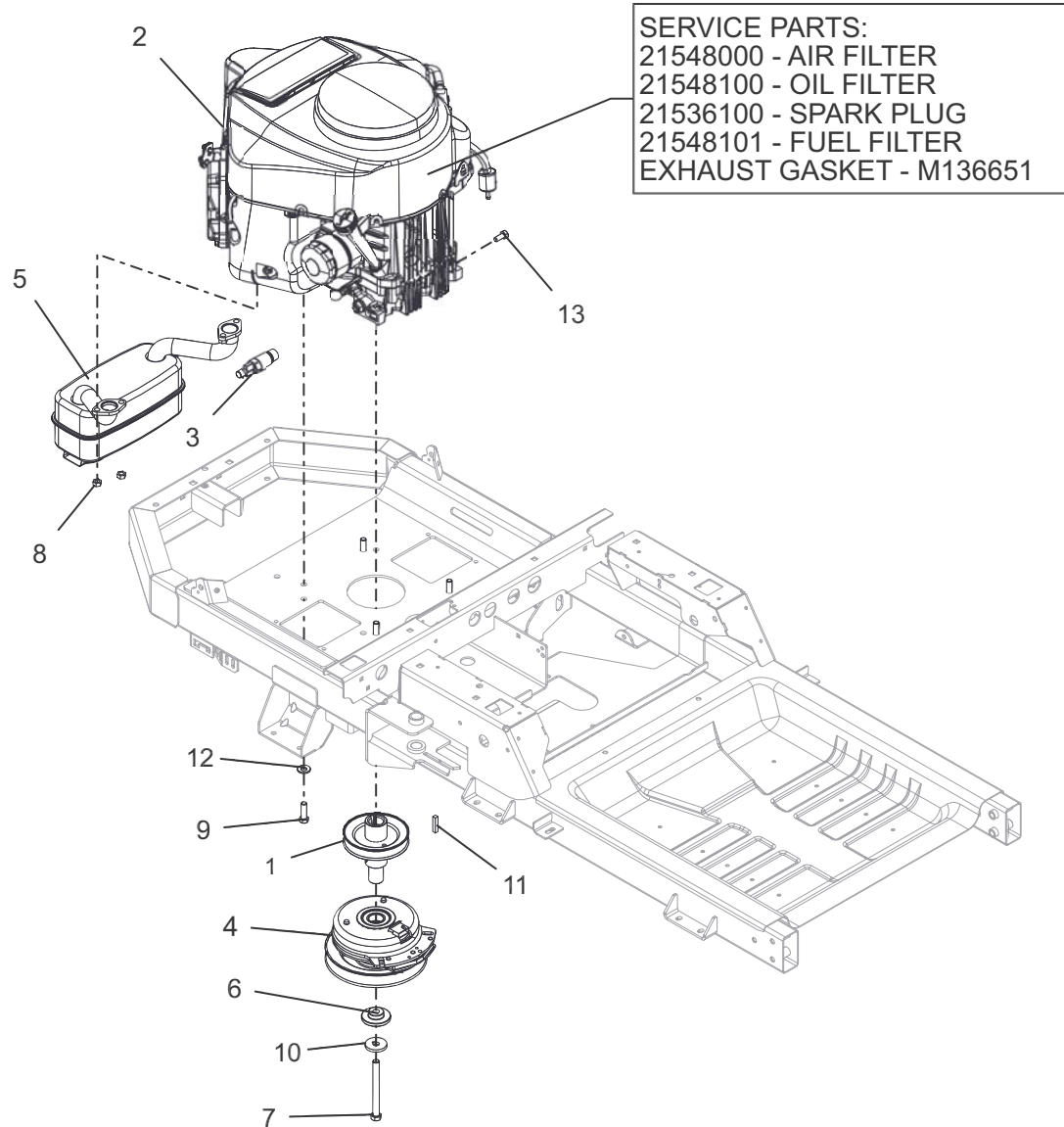
Models 915222



BOM ID	Number	Qty	Description
1	07345100	1	WLDMT, DRIVE SHEAVE
2	08201201	1	ENGINE, KOHLER 24HP TWIN
3	03943600	1	DRAIN, OIL
4	04678300	1	CLUTCH, ELEC 105 FT LB MONOPOLE 6.83"
5	05088400	1	MUFFLER, KOHLER
6	05501206	1	BSHG, -FLG .469 x 1.06 x .574 x 2.0
7	05901707	1	BLT-HEX .44-20X4.50 GR8 YWZC NYTORQ
8	05901839	4	SCR, SKH .312-18X.875 GR8 ZCC
9	06400936	1	WSHR, 7/16" SPRING DISC
10	06603400	1	KEY-SQ .250X.250X1.250
11	06300119	4	WSHR,LK-REG 0.314 X 0.078 ZCC
12	07400128	4	SCR-TAP .38-16X1.25 HWH ZCC

ENGINE – KAWASAKI FR691

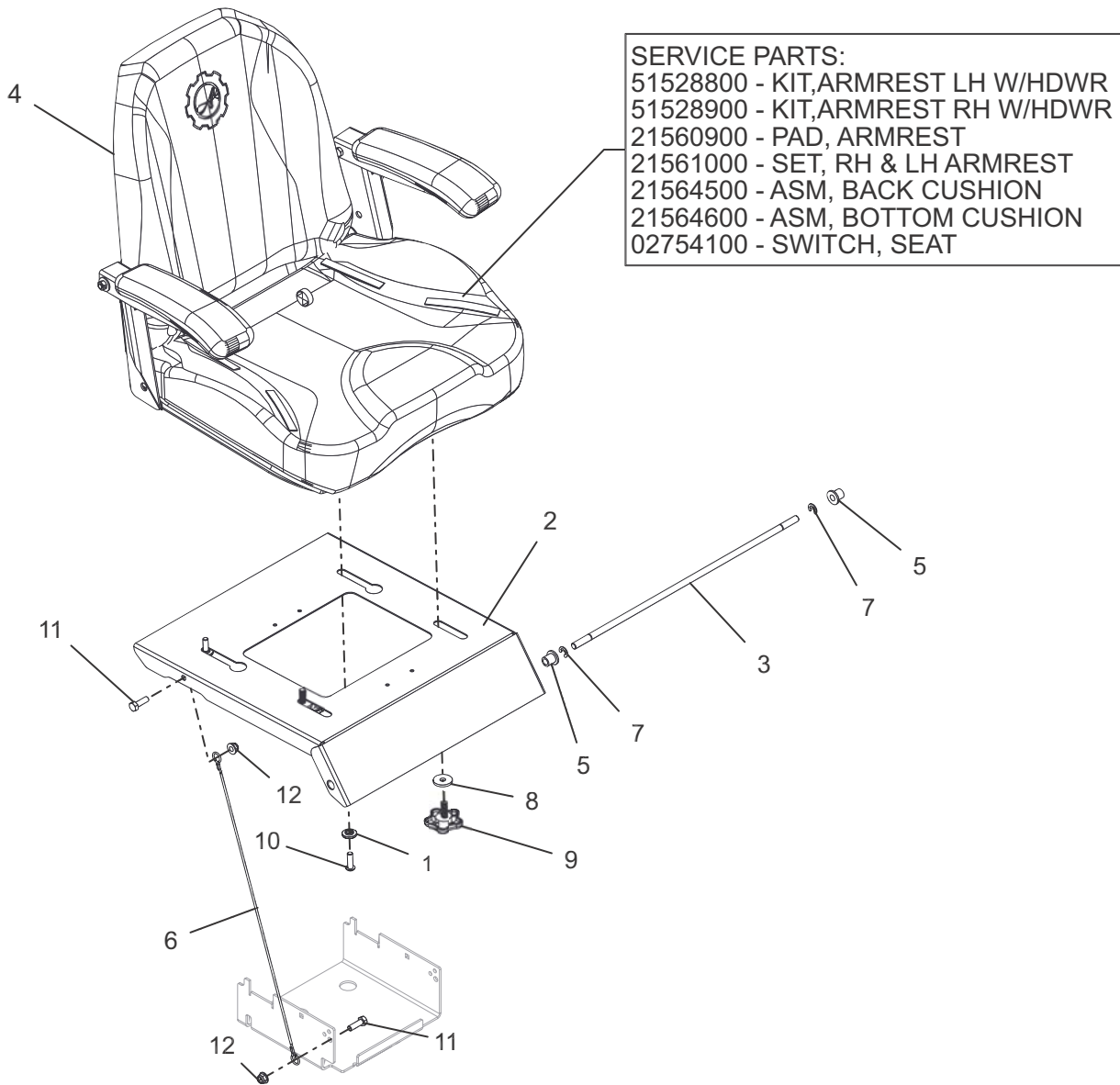
Models 915223, 225



BOM ID	Number	Qty	Description
1	07345100	1	WLDMT, DRIVE SHEAVE
2	08201128	1	ENGINE, KAWASAKI
3	04977100	1	VALVE, DRAIN -M20X2.5
4	04678300	1	CLUTCH, ELEC 105 FT LB MONOPOLE 6.83"
5	05083300	1	MUFFLER, KAWASAKI
6	05501206	1	BSHG, -FLG .469 x 1.06 x .574 x 2.0
7	05901707	1	BLT-HEX .44-20X4.50 GR8 YWZC NYTORQ
8	06500018	4	NUT-LK-TOP M8-1.25 YWZC
9	05901522	4	BOLT, HEX 0.375-16X1.25 GR5
10	06400936	1	WSHR, 7/16" SPRING DISC
11	06603400	1	KEY-SQ .250X.250X1.250
12	06400927	4	WSHR, 3/8" SPRING DISC
13	05901628	1	BLT,HEX M8-1.25X20 G8.8 ZC120

SEAT

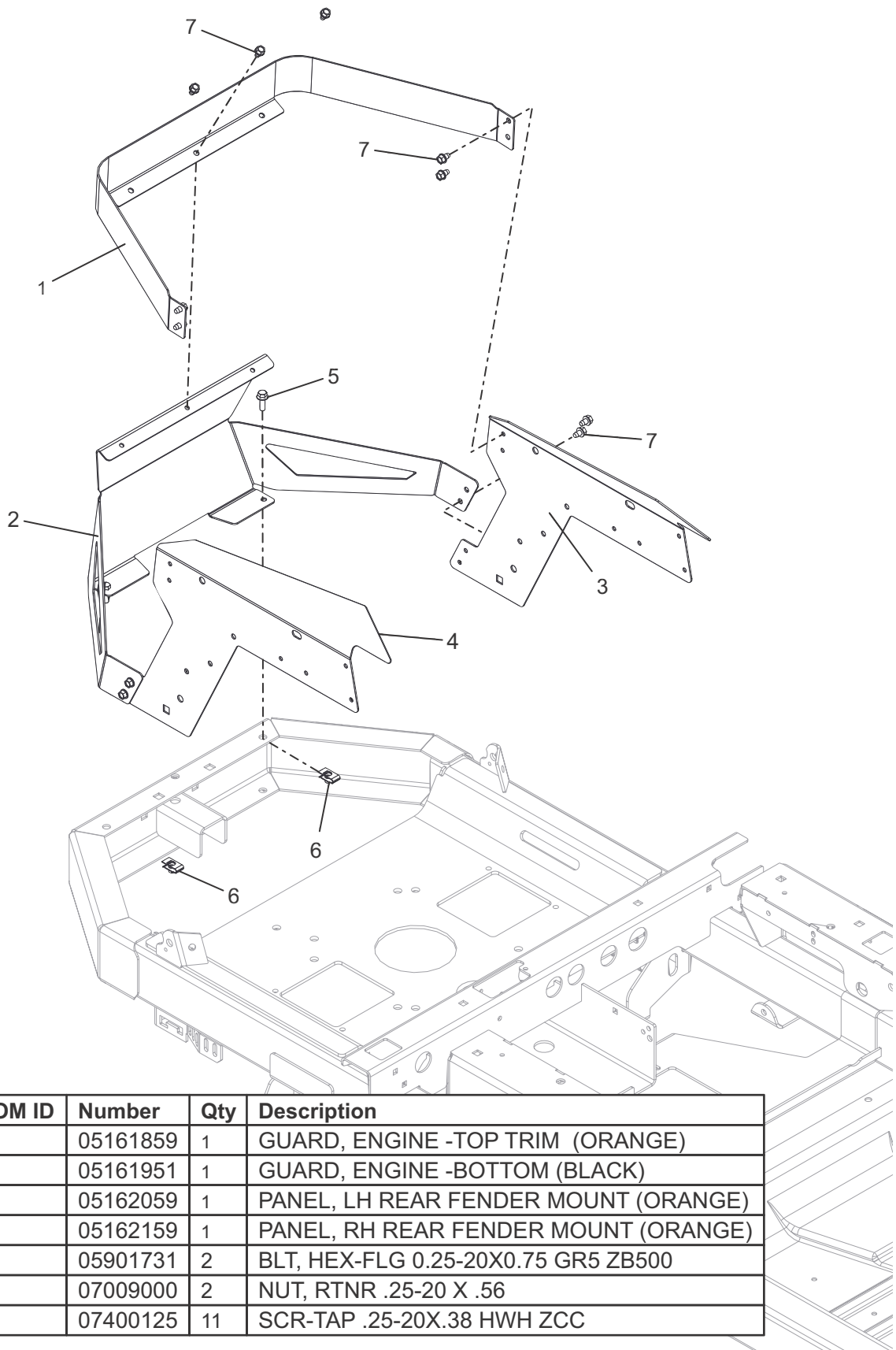
Models All



BOM ID	Number	Qty	Description
1	05501328	2	BSHG, FLG .325X.499X.26X.88
2	05160859	1	PLATE, SEAT (FASTENER SLIDE) (ORANGE)
3	04816200	1	ROD, SEAT PIVOT
4	05092300	1	SEAT, MOWER
5	05501231	2	BSHG, FLANGE .380 X .580 X .667 X .875
6	06900623	1	CABLE, WIRE (LANYARD)-.093X19.5
7	05710600	2	RING, RETAINING-E .375X.035
8	06401104	2	WSHR-FL-STL 0.34X1.125X0.135 ZCC
9	07500226	2	KNOB, WING STUDDED
10	05901840	2	SCR,BTNHDD .31-18X1.00 ZCC
11	05901701	2	BLT, HEX 0.3125-18X1 GR5 ZC120
12	06500809	2	NUT, LK-NYL-FLG .31-18 GR5 ZC120

ENGINE SHROUD

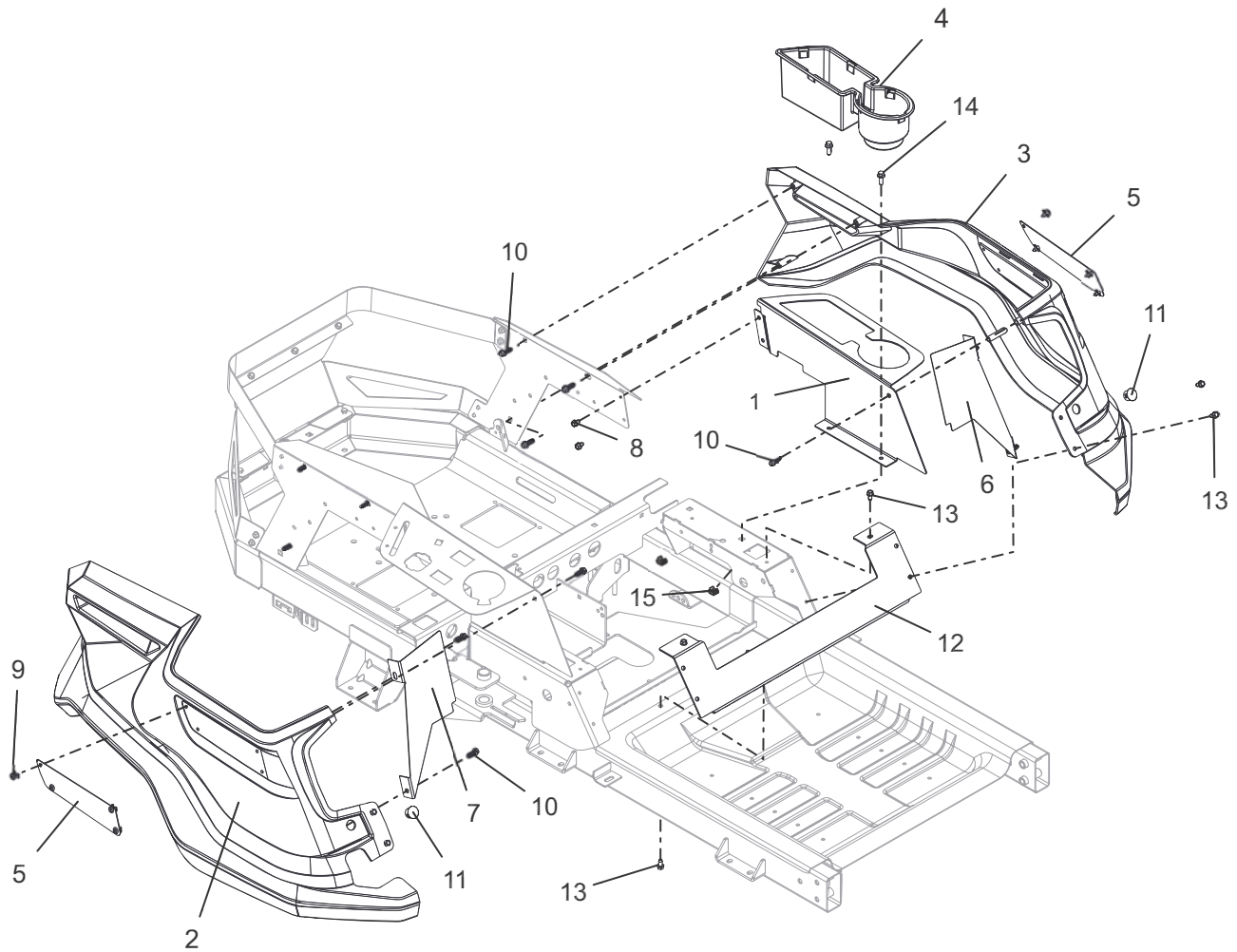
Models All



BOM ID	Number	Qty	Description
1	05161859	1	GUARD, ENGINE -TOP TRIM (ORANGE)
2	05161951	1	GUARD, ENGINE -BOTTOM (BLACK)
3	05162059	1	PANEL, LH REAR FENDER MOUNT (ORANGE)
4	05162159	1	PANEL, RH REAR FENDER MOUNT (ORANGE)
5	05901731	2	BLT, HEX-FLG 0.25-20X0.75 GR5 ZB500
6	07009000	2	NUT, RTNR .25-20 X .56
7	07400125	11	SCR-TAP .25-20X.38 HWH ZCC

FENDERS

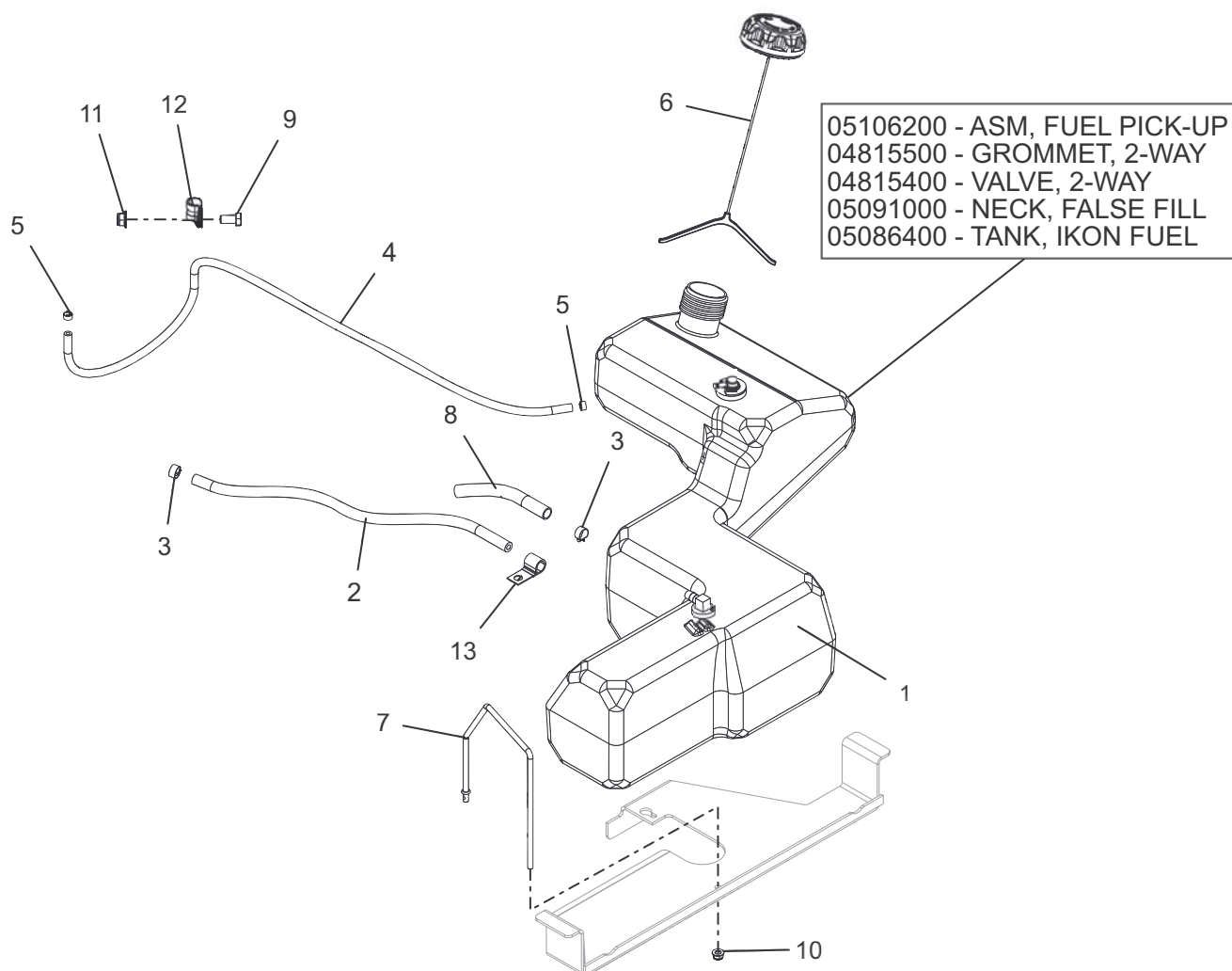
Models All



BOM ID	Number	Qty	Description
1	05080959	1	PANEL, RIGHT SIDE FENDER MOUNT (ORANGE)
2	05089900	1	FENDER, RH IKON 2017
3	05090000	1	FENDER, LH IKON
4	05091800	1	INSERT, CUP/STORAGE HOLDER
5	05097359	2	PLATE, ARIENS NAME
6	05110951	1	PLATE, LH BLOCKER
7	05115751	1	PLATE, RH BLOCKER
8	07400125	4	SCR-TAP .25-20X.38 HWH ZCC
9	06830000	8	RVT-POP .195 PLASTIC
10	07400119	12	SCR-HEX .312-14X.75 H/L
11	07500402	2	PLUG, HOLE .750-BLACK
12	04772359	1	PLATE, SEAT
13	07400122	8	SCR-TAP .25-20X.50 HWH ZCC
14	05901731	4	BLT, HEX-FLG 0.25-20X0.75 GR5 ZB500
15	07009300	4	NUT, RETAINER .25-20

FUEL SYSTEM – NON-CARB

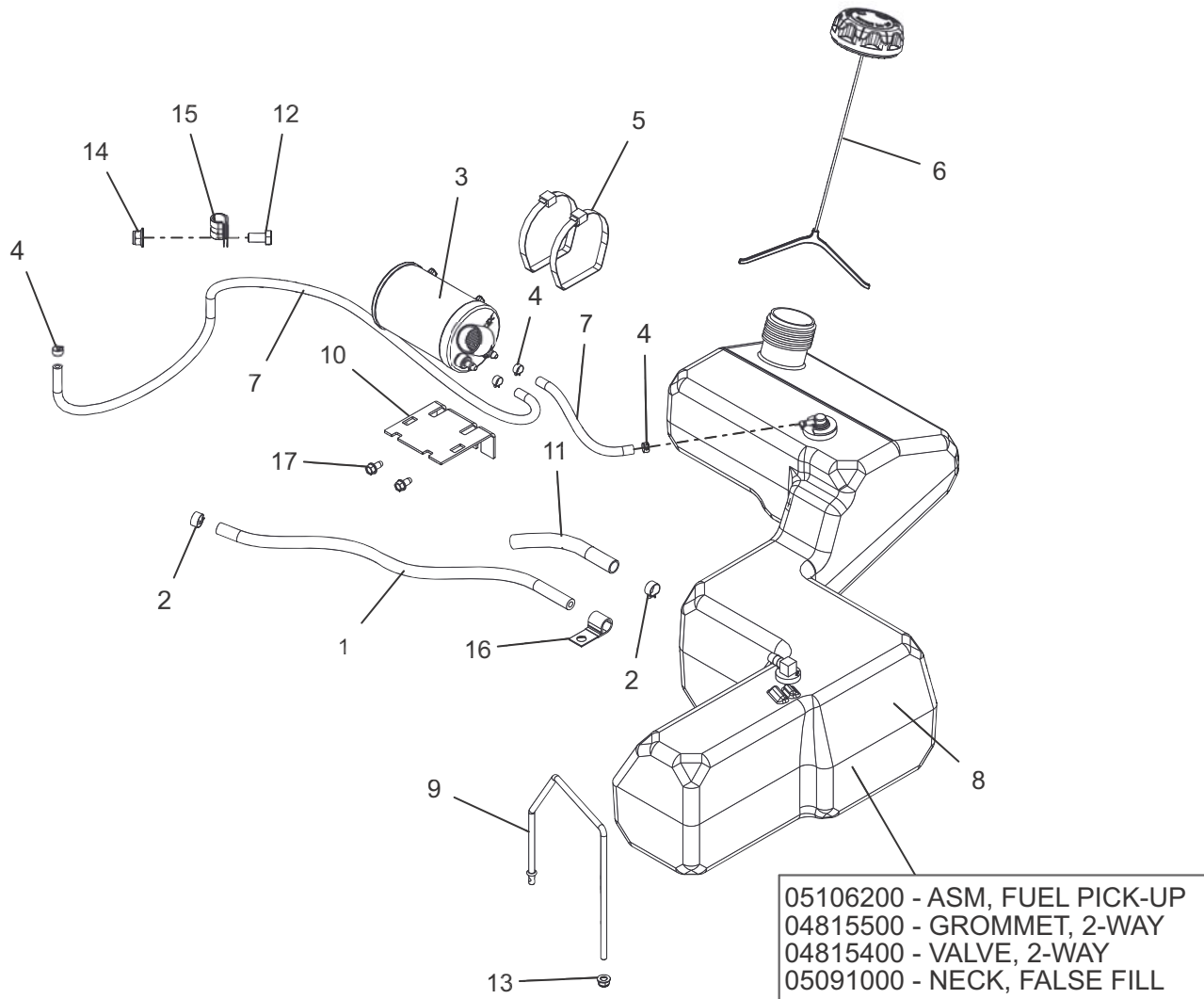
Models 915220, 222, 223



BOM ID	Number	Qty	Description
1	05086600	1	ASM, FUEL TANK IKON
2	03278100	1	.25 LOW PERM FUEL X 22.0 LG - FUEL PICK-UP TO ENGINE
3	03278800	2	CLAMP, FUEL LINE
4	03375900	1	.188 ID LOW-PERM X 39.0 LG - TANK VENT TO ENGINE
5	04097700	2	CLAMP - HOSE, SPRING .188
6	04589200	1	CAP, FUEL VENT-IN 2.25" RATCHET
7	05099867	1	BRKT, FUEL
8	05118500	1	SLEEVE, ANTI ABRASION .5" X .064" WALL
9	05959400	1	BOLT, HEX 0.375-16X0.75 GR5
10	06500012	1	NUT-LK-NYL-FLG .25-20 YWZC
11	06545500	1	NUT-LK-NYL-FLG .38-16 YWZC
12	06908200	1	CLAMP, CUSHIONED STEEL
13	06916000	1	J-CLAMP

FUEL SYSTEM – CARB

Models 9152224, 225

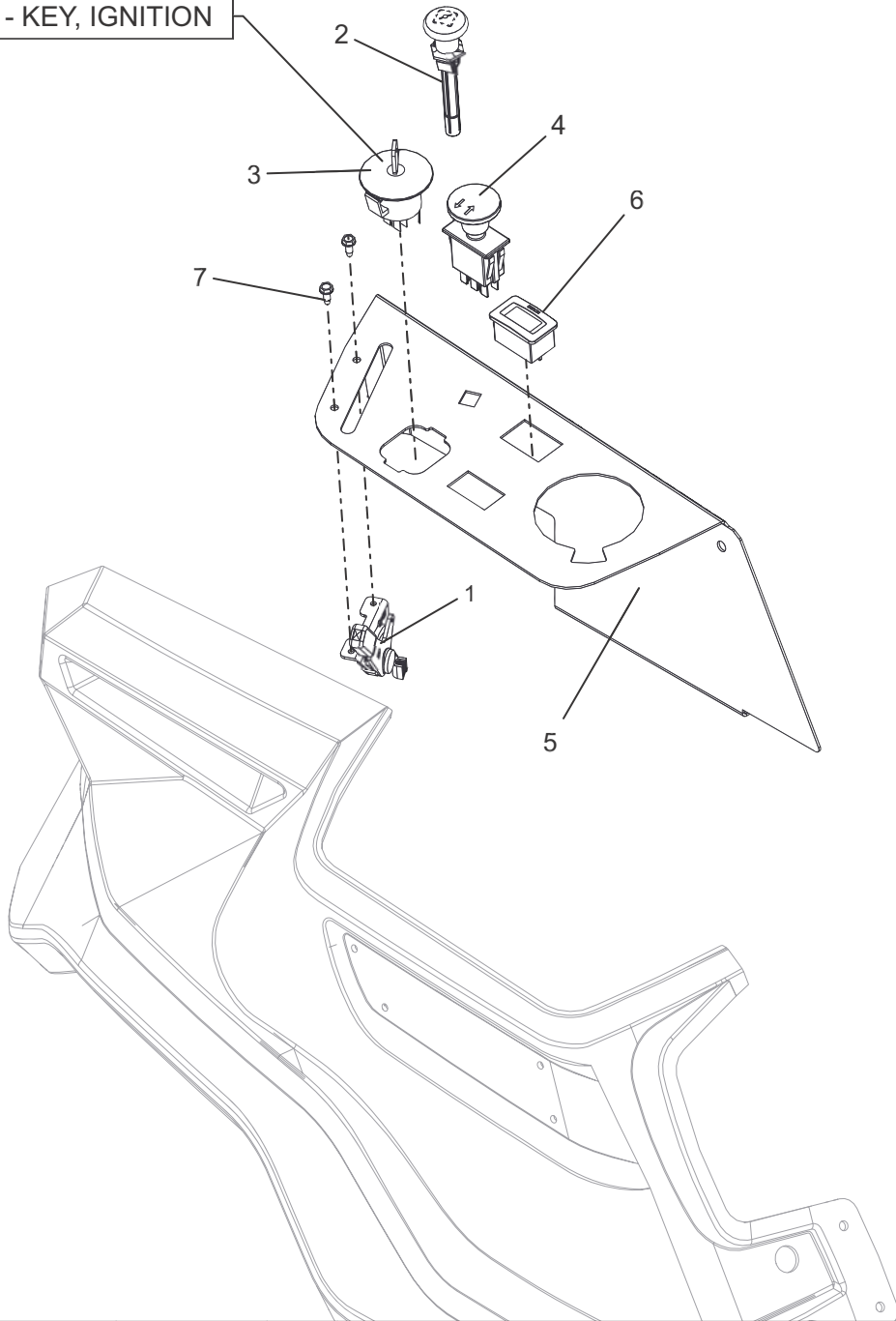


BOM ID	Number	Qty	Description
1	03278100	1	.25 LOW PERM FUEL X 22.0 LG - FUEL PICK-UP TO ENGINE
2	03278800	2	CLAMP, FUEL LINE
3	04082500	1	CARBON CANISTER, 300CC
4	04097700	4	CLAMP - HOSE, SPRING .188
5	04102900	2	P-PLASTIC TIE STRAP LARGE
6	04589200	1	CAP, FUEL VENT-IN 2.25" RATCHET
7	04745900	2	HOSE,
8	05086600	1	ASM, FUEL TANK IKON
9	05099867	1	BRKT, FUEL
10	05107351	1	BRKT, MOUNT -CARB CANISTER
11	05118500	1	SLEEVE, ANTI ABRASION .5" X .064" WALL
12	05959400	1	BOLT, HEX 0.375-16X0.75 GR5
13	06500012	1	NUT-LK-NYL-FLG .25-20 YWZC
14	06545500	1	NUT-LK-NYL-FLG .38-16 YWZC
15	06908200	1	CLAMP, CUSHIONED STEEL
16	06916000	1	J-CLAMP
17	07400034	2	SCR-TAP .25-20X.50 HWH TR YWZ

CONTROL PANEL

Models All

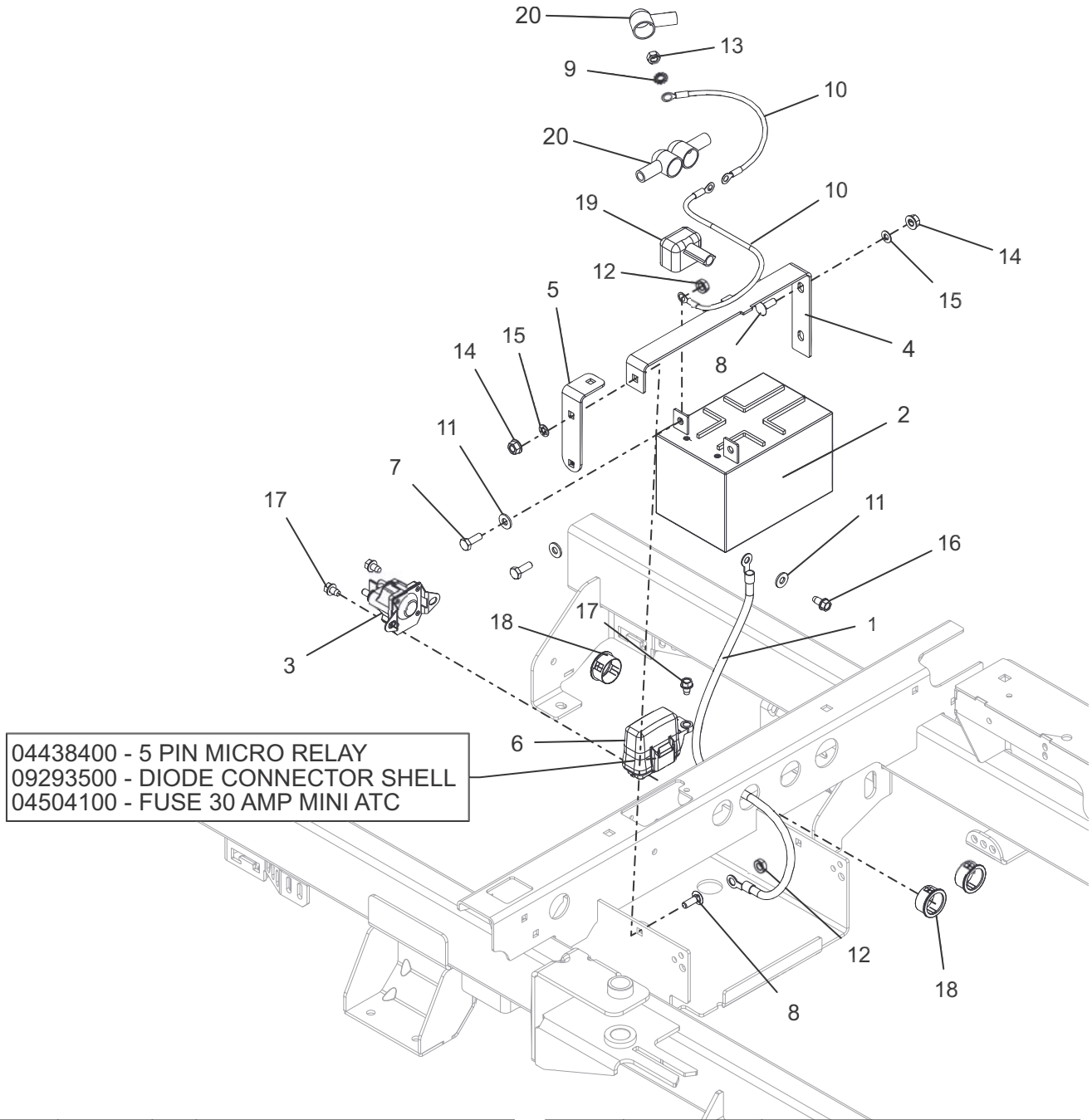
04986400 - KEY, IGNITION



BOM ID	Number	Qty	Description
1	06900620	1	CABLE, THROTTLE 90DEG 33"
2	06900621	1	CABLE, CHOKE
3	04974300	1	SWITCH, IGNITION
4	04399600	1	SWITCH, CLUTCH YELLOW(W/GRAPHIC)
5	05080859	1	PANEL, RIGHT SIDE FENDER MOUNT (ORANGE)
6	05084300	1	HOUR, METER - MINI, NO BUTTON
7	07400130	2	SCR-TAP #10-24X.50 HWH ZCC

ELECTRICAL

Models All

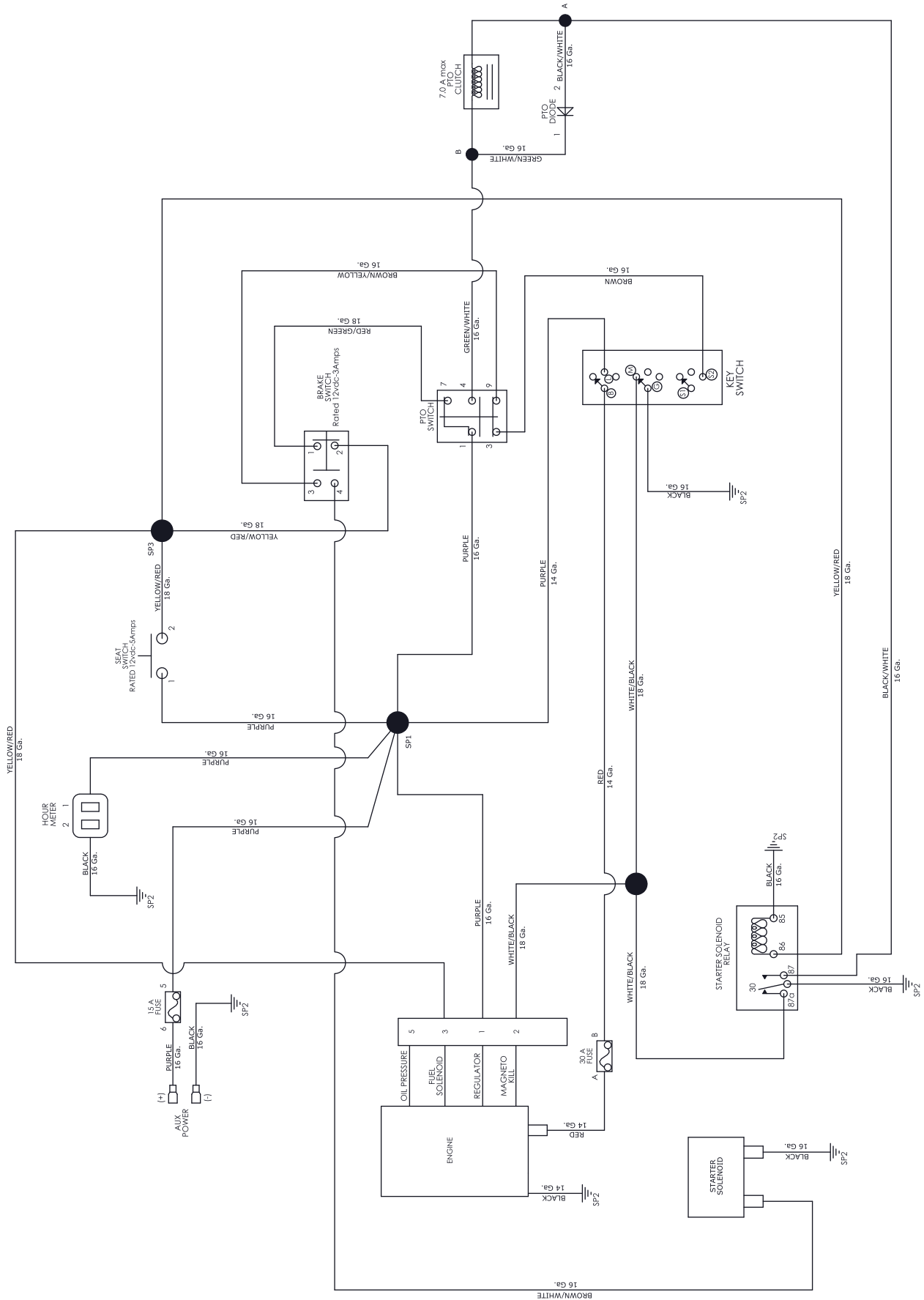


BOM ID	Number	Qty	Description
1	03288100	1	CABLE, NEGATIVE BATTERY 24"
2	04738800	1	BATTERY, 12V 12A -190CCA
3	04781700	1	SOLENOID, STARTER (SEALED)
4	04794651	1	BRKT, BATTERY
5	04833651	1	BRKT, BATTERY
6	04974400	1	HARNESS, WIRE
7	05946800	2	BOLT, HEX 0.25-20X0.75 GR5
8	06219900	2	BOLT, CARRIAGE 0.25-20X0.75 GR5
9	06306800	1	WSHR-LK-EXT.262X.502X.026 YWZC
10	04787400	2	CABLE, POS BAT 15.00"
11	06437300	3	WSHR-FL-STL.281X.62X.065 YWZC

BOM ID	Number	Qty	Description
12	06500921	2	NUT-KEPS .250-20
13	06533200	1	NUT-HEX .25-20 YWZC
14	06543500	2	NUT, LK-TOP-FLG .25-20 YWZC
15	07027600	2	NUT, PUSH .25X.50 O.D.
16	07400034	1	SCR-TAP .25-20X.50 HWH TR YWZ
17	07411600	3	SCR-TAP .25-20X.37 HWH YWZ TR
18	07500308	3	BSHG, PANEL SNAP .937X1.109X.56
19	07505700	1	INSULATOR
20	07533200	3	BOOT, EYELET TERMINAL

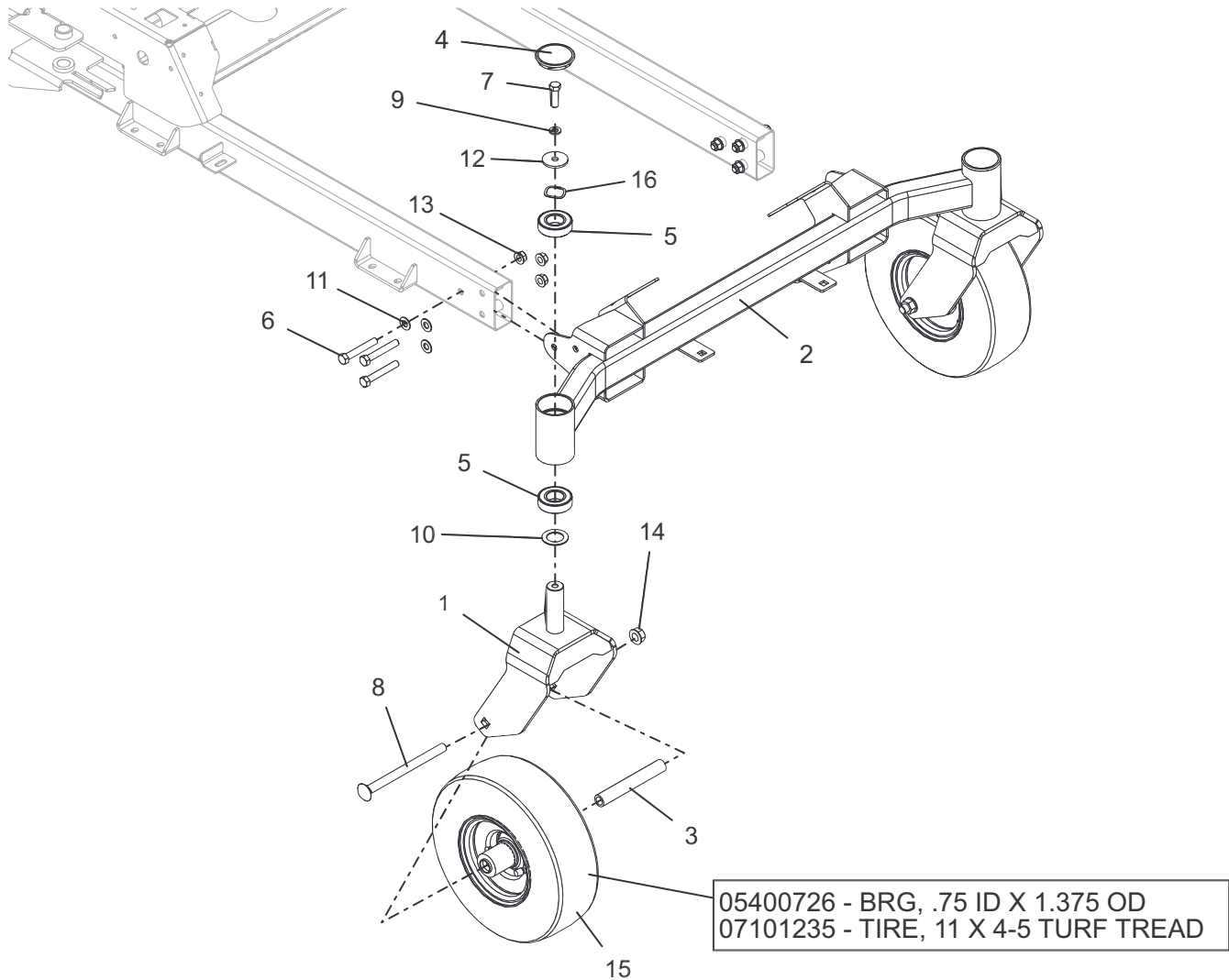
WIRING DIAGRAM

Models All



FRONT CASTER WHEELS

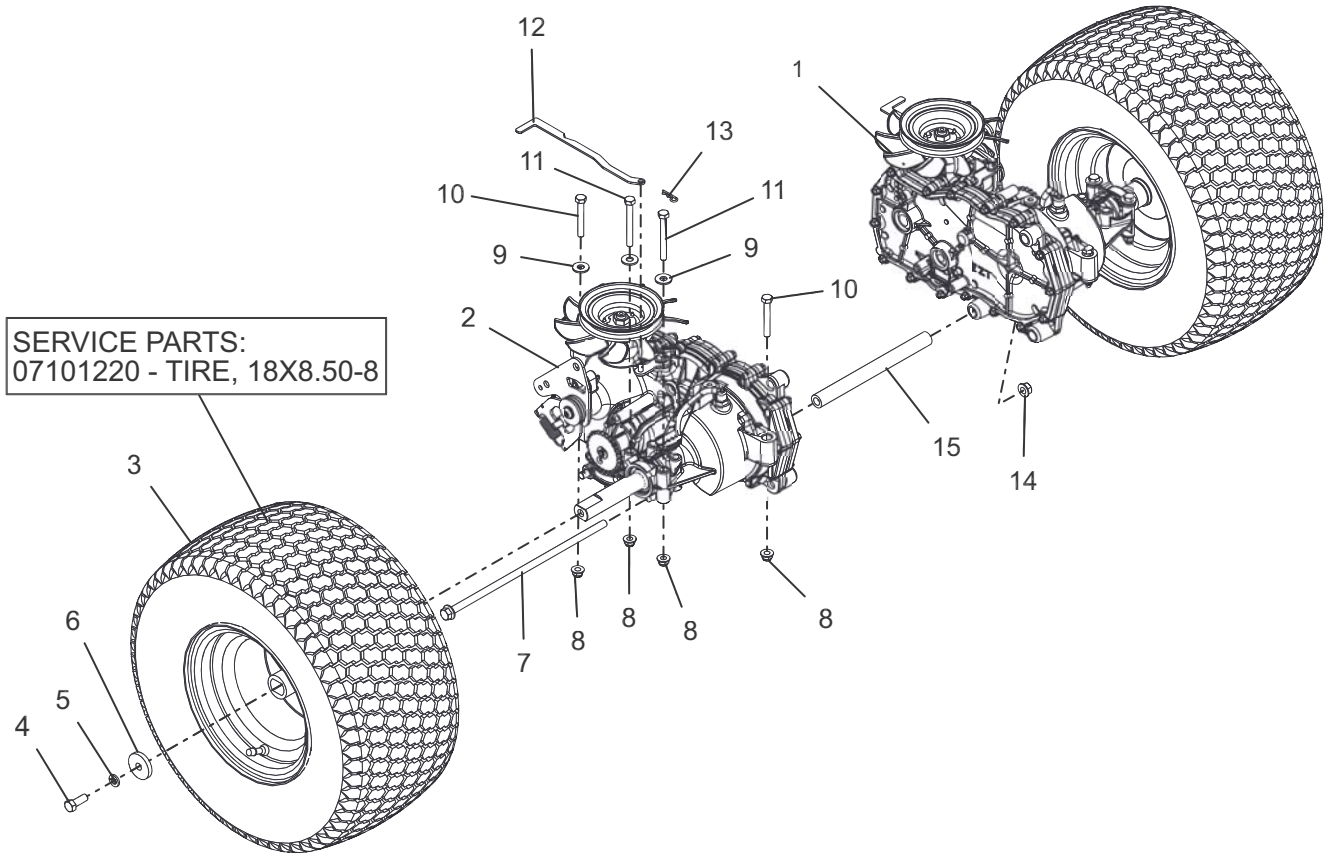
Models All



BOM ID	Number	Qty	Description
1	04736659	2	WLDMT, CASTER FORK (ORANGE)
2	04968659	1	WLDMT, AXLE FRONT
3	00278500	2	SPCR, ROLLED WHEEL
4	04792200	2	CAP, DUST
5	05400722	4	BRG-BALL 1.00X2.00X.56
6	05901811	6	BLT, HEX 0.375-16X2.5 GR8 ZCC
7	05901724	2	BLT, HEX 0.375-16X1.25 GR5 ZC120
8	06200319	2	BTL,RHSN .500-13 X 6.5 G5 ZCC
9	06300116	2	WSHR,LK-REG 0.377 X 0.094 ZCC
10	06416600	2	WSHR, HRD THRS 1.007X1.542X.062
11	06401129	6	WSHR-FL-STL 0.406X0.812X0.055 HRD
12	06401106	2	WSHR-FL-STL 0.38X1.5X0.125 ZCC
13	06500905	6	NUT, FLG-CTR LK .375-16 GRG ZC120
14	06500907	2	NUT, FLG-TOP LK .500-13 GF ZCC
15	07101127	2	TIRE/WHEEL, 11 X 4-5
16	06401030	2	WASHER, WAVE

REAR TIRES AND TRANSAXLES

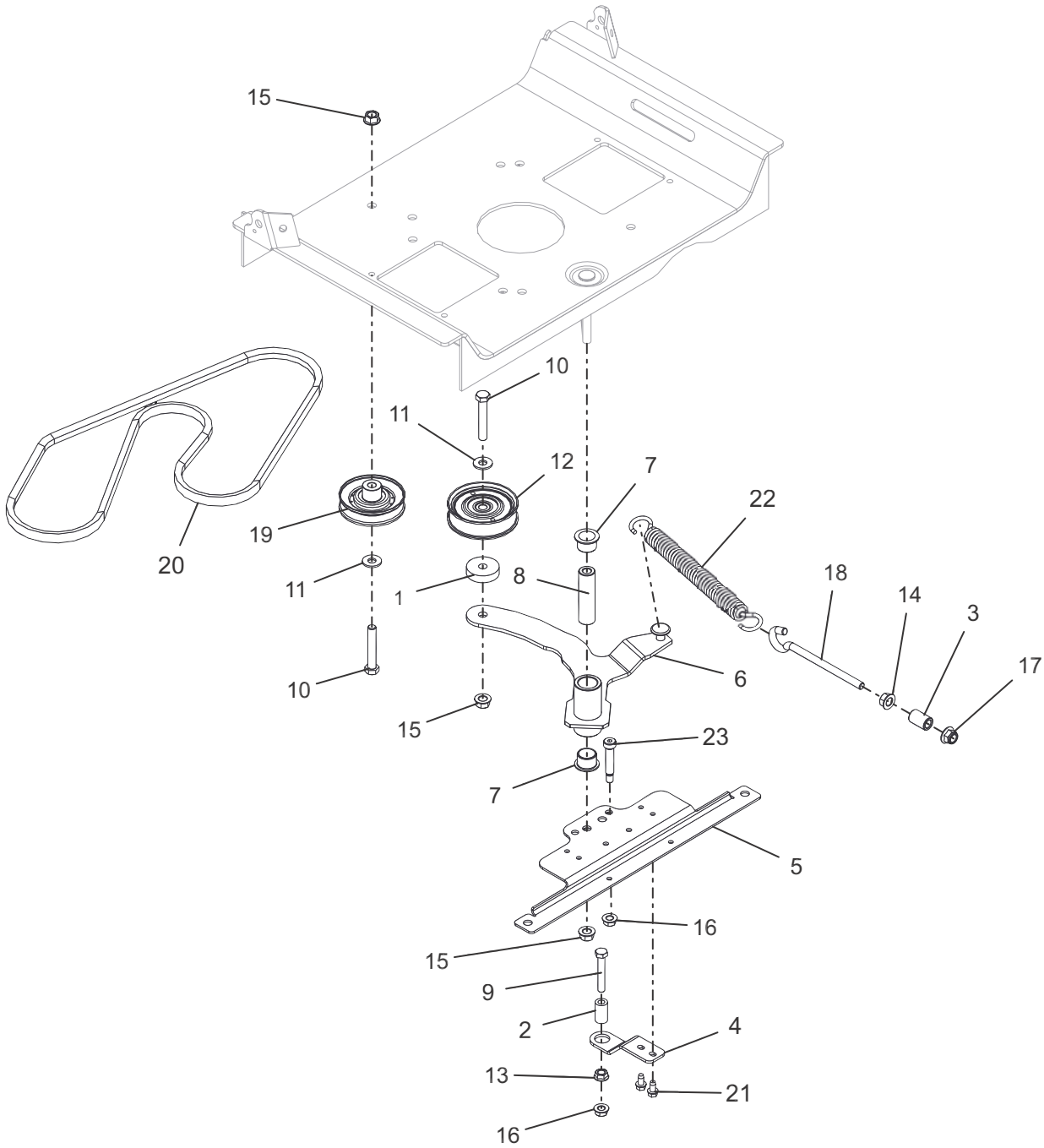
Models All



BOM ID	Number	Qty	Description
1	05172700	1	TRANSAXLE, LH EZT D-SHAFT SHORT
2	05172800	1	TRANSAXLE, RH EZT D-SHAFT SHORT
3	07101130	2	ASSM TIRE\WHEEL,
4	05901721	2	BLT, HEX 0.375-16X1 GR5 EP30 ZC120
5	06300116	2	WSHR,LK-REG 0.377 X 0.094 ZCC
6	06401110	2	WSHR-FL-STL 0.406X1.5X0.245 ZCC
7	05901902	1	BLT, HEX-FLG 0.375-16X11.5 GR5 ZC120
8	06500809	8	NUT, LK-NYL-FLG .31-18 GR5 ZC120
9	06401023	6	WSHR-FL-STL 0.375X0.875X0.083 ZC120
10	05901806	4	BLT, HEX 0.3125-18X2.25 GR5 ZCC
11	05901807	4	BLT, HEX 0.3125-18X2.75 GR5 ZCC
12	04884151	2	BRKT, VALVE DUMP
13	06700222	2	PIN, HAIR #213 .08X1.19 ZCC
14	06500901	1	NUT, HEX-CTR LK .375-16 GR5 ZC120
15	05162451	1	SPCR, TRANSAXLE .438 ID X .750 OD X 8.18 (BLACK)

TRANSAXLE DRIVE

Models All

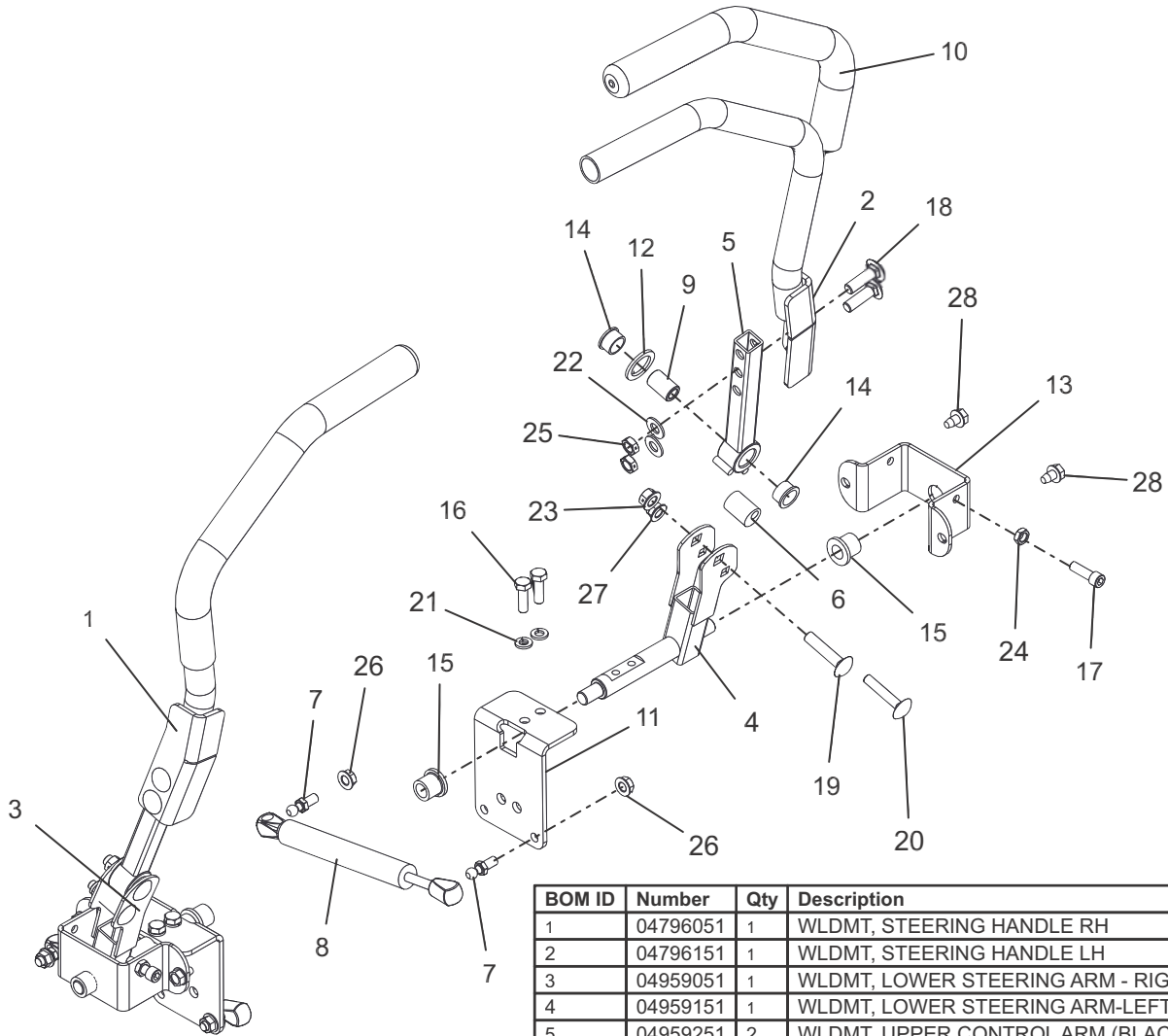


BOM ID	Number	Qty	Description
1	01594000	1	SPCR, .39X1.50X.380
2	03980200	1	SPCR, RUBBER 5/16 ID X 1.0 LG
3	04193500	1	SPCR, .375X.625X.970
4	04793951	1	BRKT, CLUTCH STOP
5	04875151	1	BRKT, DRIVE IDLER MTG
6	04890451	1	WLDMT, IDLER
7	05500039	2	BSHG, FLANGE 0.75 X 0.875 X 0.625 X 0.125
8	05501237	1	BSHG, SLV .380x.750x2.53
9	05957200	1	BOLT, HEX 0.313-18X2 GR5
10	05962900	2	BOLT, HEX 0.375-16X2.25 GR5
11	06435700	2	WSHR-FL-STL.38X.875X.083 YWZC
12	07340000	1	IDLER, FLAT - 3.05" X .75"

BOM ID	Number	Qty	Description
13	06530400	1	NUT-SPNLK-FLG .312-18 YWZC
14	06534900	1	NUT-SPNLK-FLG .375-16 YWZC
15	06542000	3	NUT, LK-TOP-FLG .38-16 YWZC
16	06543100	2	NUT, LK-TOP-FLG .312-18 YWZC
17	06545500	1	NUT-LK-NYL-FLG .38-16 YWZC
18	07001640	1	BOLT, EYE .38-16X6.00 .62 DIA
19	07347200	1	ASM, 3.00" V IDLER
20	07200718	1	V-BELT, A SECTION RAW EDGE
21	07400034	2	SCR-TAP .25-20X.50 HWH TR YWZ
22	08300507	1	SPRG, EXTENSION - SWIVEL
23	07070118	1	BLT-SHLDR .375X1.50X.31-18

CONTROLS

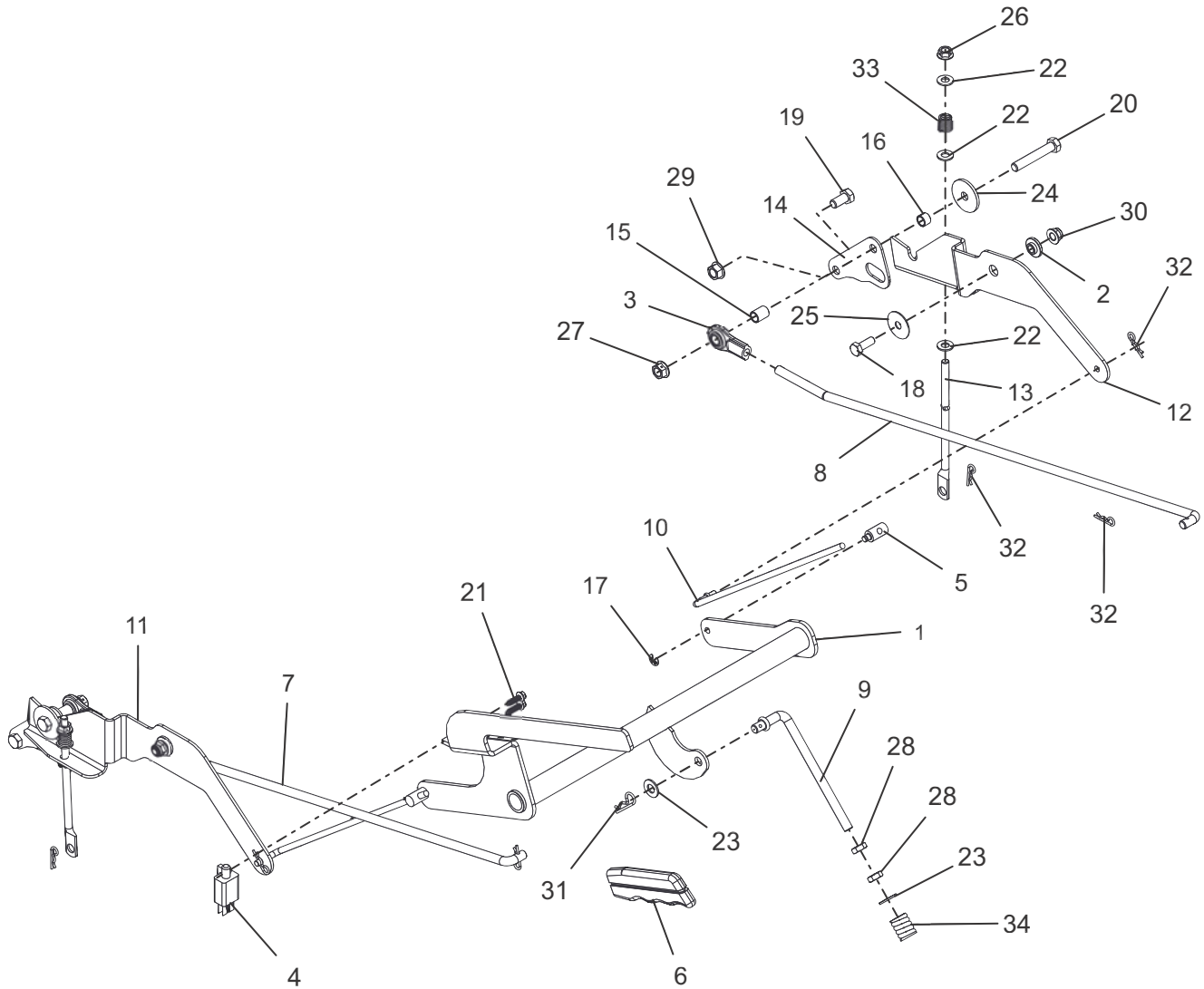
Models All



BOM ID	Number	Qty	Description
1	04796051	1	WLDMT, STEERING HANDLE RH
2	04796151	1	WLDMT, STEERING HANDLE LH
3	04959051	1	WLDMT, LOWER STEERING ARM - RIGHT
4	04959151	1	WLDMT, LOWER STEERING ARM-LEFT
5	04959251	2	WLDMT, UPPER CONTROL ARM (BLACK)
6	00372300	2	BSHG, ECCEN .328X.750X1.01 PM
7	03652200	4	STUD-BALL
8	03943800	2	DAMPER,
9	04193500	2	SPCR, .375X.625X.970
10	04257400	2	GRIP, HANDLEBAR 15" FOAM
11	04764151	2	BRKT, STEERING
12	04832600	2	WSHR, FRICTION .875X1.25X.10
13	04990951	2	BRKT, STEERING PIVOT
14	05501017	4	BSHG, .625X.75X.450X.875
15	05521100	4	BSHG, FLANGE .515 X .750 X .745 X 1.00 NYLON
16	05901311	4	BOLT, HEX 0.313-18X1 GR8
17	05901733	2	SCR, SKH .312-18X1.00 GR8 ZC120
18	06200220	4	BTL,RHSSN .375-16 X 1.25 G5 FPB
19	06200221	2	BTL,RHSSN .375-16 X 1.75 G5 FPB
20	06200222	2	BTL,RHSSN .313-16 X 1.75 G5 ZCC
21	06308600	4	WSHR-LK .31X.078 REG YWZC
22	06436200	4	WSHR-FL-STL.406X.812X.065 YWZ
23	06534800	2	NUT, LK-CTR-FLG .38-16 YWZC
24	06536100	2	NUT, JAM .312-18 YWZC
25	06537200	4	NUT-LK-CTR-JAM .375-16 YWZC
26	06543100	4	NUT, LK-TOP-FLG .312-18 YWZC
27	06545400	2	NUT-LK-NYL-FLG .31-18 YWZC
28	07411500	4	SCR-TAP .31-18X.50 HWH TR YWZ

PARKING BRAKE

Models All

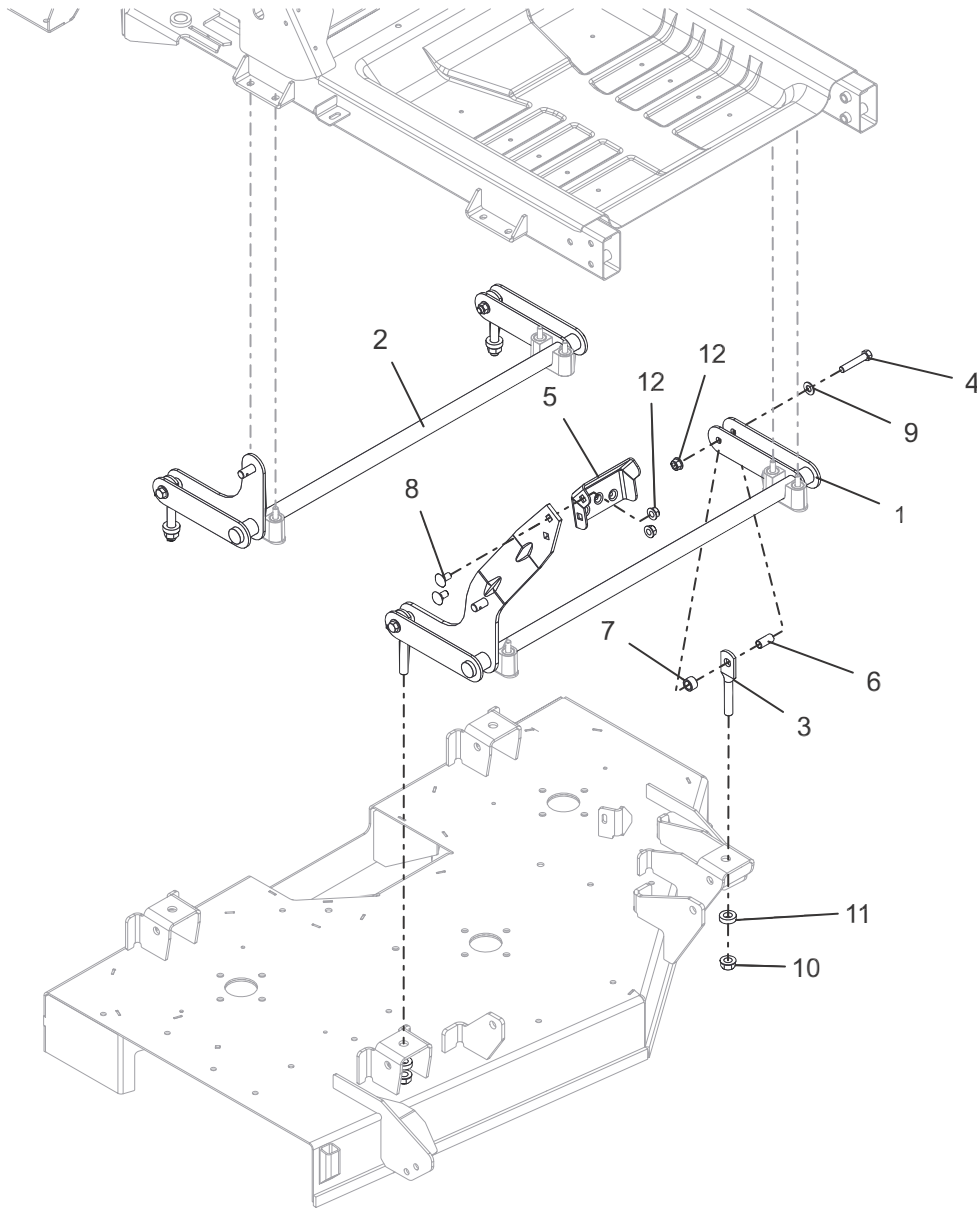


BOM ID	Number	Qty	Description
1	04787851	1	WLDMT, BRAKE
2	01305900	2	BSHG, FLG .325X.499X.26X.88
3	03563100	2	ROD, END .38 RH
4	03606600	1	SWITCH- DOUBLE POLE N.O./N.O.
5	03764800	2	TRUNNION, 1/4-20
6	03826900	1	GRIP, PARKING BRAKE (YELLOW)
7	04778700	1	ROD, STEERING LINKAGE RH
8	04778800	1	ROD, STEERING LINKAGE LH
9	04787900	1	LINK, OVER
10	04788000	2	LINK, BRAKE
11	04788151	1	INTERLOCK, RH BRAKE LINK (BLACK)
12	04790451	1	INTERLOCK, LH
13	04790600	2	LINK, BRAKE
14	04799351	2	PLATE, TRANSAXLE
15	05501226	2	SPCR, .385X.500X.652
16	05501235	2	SPCR, .385X.500X.350
17	05700125	2	RING, RETAINING-E .25X.025
18	05947800	2	BOLT, HEX 0.313-18X0.875 GR5

BOM ID	Number	Qty	Description
19	05959400	2	BOLT, HEX 0.375-16X0.75 GR5
20	05962900	2	BOLT, HEX 0.375-16X2.25 GR5
21	06100216	2	SCR-TAP #12X.75 BOSS INDHXHD
22	06437200	6	WSHR-FL-STL.344X.688X.065YWZC
23	06436200	2	WSHR-FL-STL.406X.812X.065 YWZ
24	06443400	2	WSHR-FL-STL .380X1.50X.125 YWZC
25	06446900	2	WSHR-FL-STL .347X1.254X.048 YWZC
26	06528700	2	NUT, LK-CTR-FLG .31-18 YWZC
27	06534800	2	NUT, LK-CTR-FLG .38-16 YWZC
28	06535900	2	NUT, JAM .375-16 YWZC
29	06542000	2	NUT, LK-TOP-FLG .38-16 YWZC
30	06545400	2	NUT-LK-NYL-FLG .31-18 YWZC
31	06700002	1	PIN, HAIR .09 X 1.50 YWZC
32	06713500	6	PIN, HAIR INT .08X.18X1.18 YWZC
33	08300028	2	SPRG, COMPRESSION
34	08320900	1	SPRG, COMPRESSION

DECK LIFT

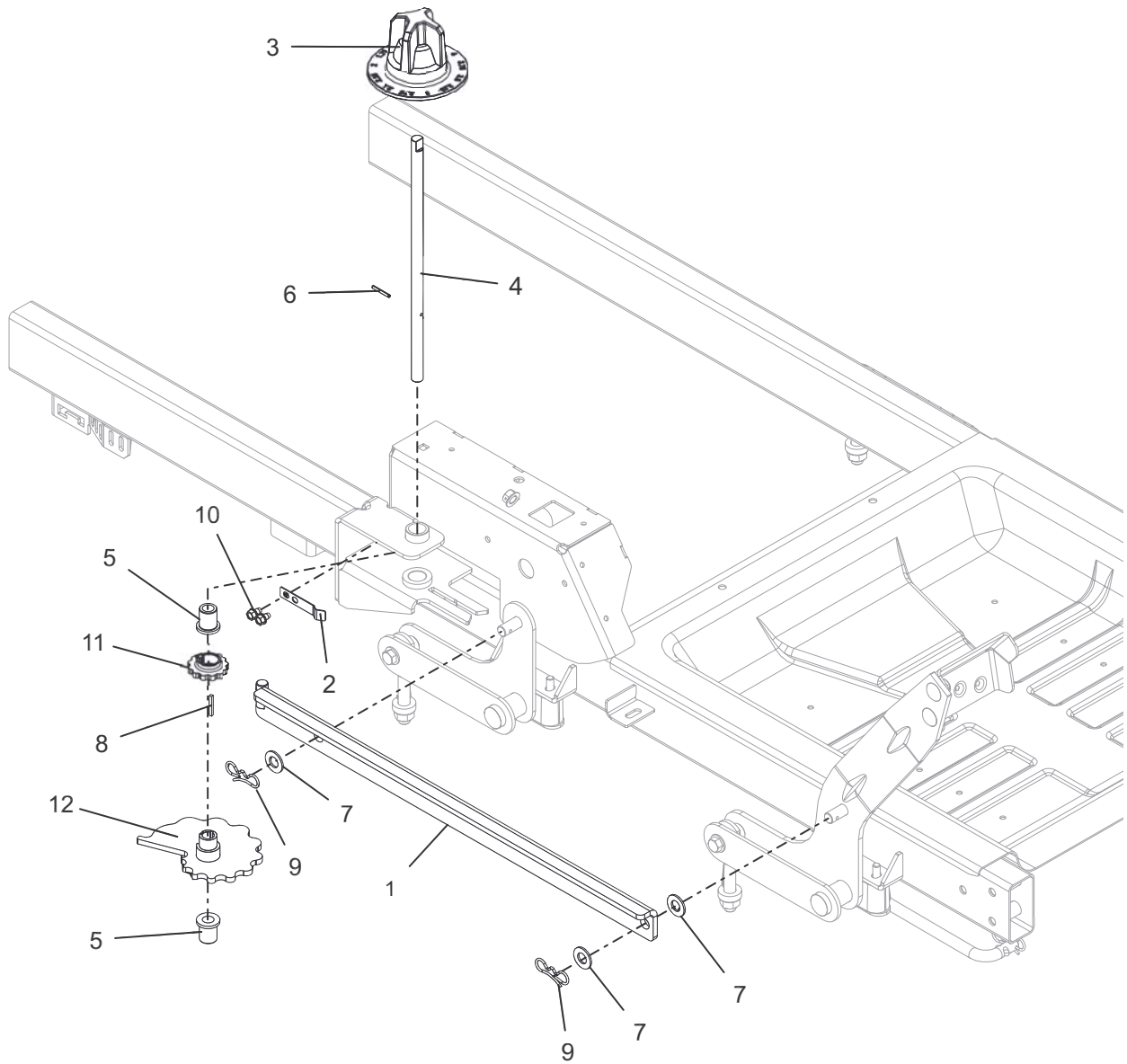
Models All



BOM ID	Number	Qty	Description
1	04778259	1	WLDMT, FRONT DECK LIFT PIVOT (ORANGE)
2	04778359	1	WLDMT, REAR DECK LIFT PIVOT (ORANGE)
3	05114000	4	LINK, DECK (HOLE-SHORT)
4	05901810	4	BLT, HEX 0.375-16X2 GR8 ZCC
5	04869259	1	PEDAL, DECK LIFT (BOLT ON) (ORANGE)
6	05500106	4	BSHG, SLV .385 X .500 X 1.045
7	05500107	4	BSHG, SLV .510 X .751 X .475
8	06200225	2	BTL,RHSN .375-16 X 0.75 G5 FPB
9	06401013	4	WSHR-FL-STL 0.406X0.812X0.065 ZC120
10	06500902	4	NUT, FLG-CTR LK .500-13 GG ZCC
11	07500417	4	WSHR, RUBBER
12	06500901	6	NUT, HEX-CTR LK .375-16 GR5 ZC120

HEIGHT OF CUT

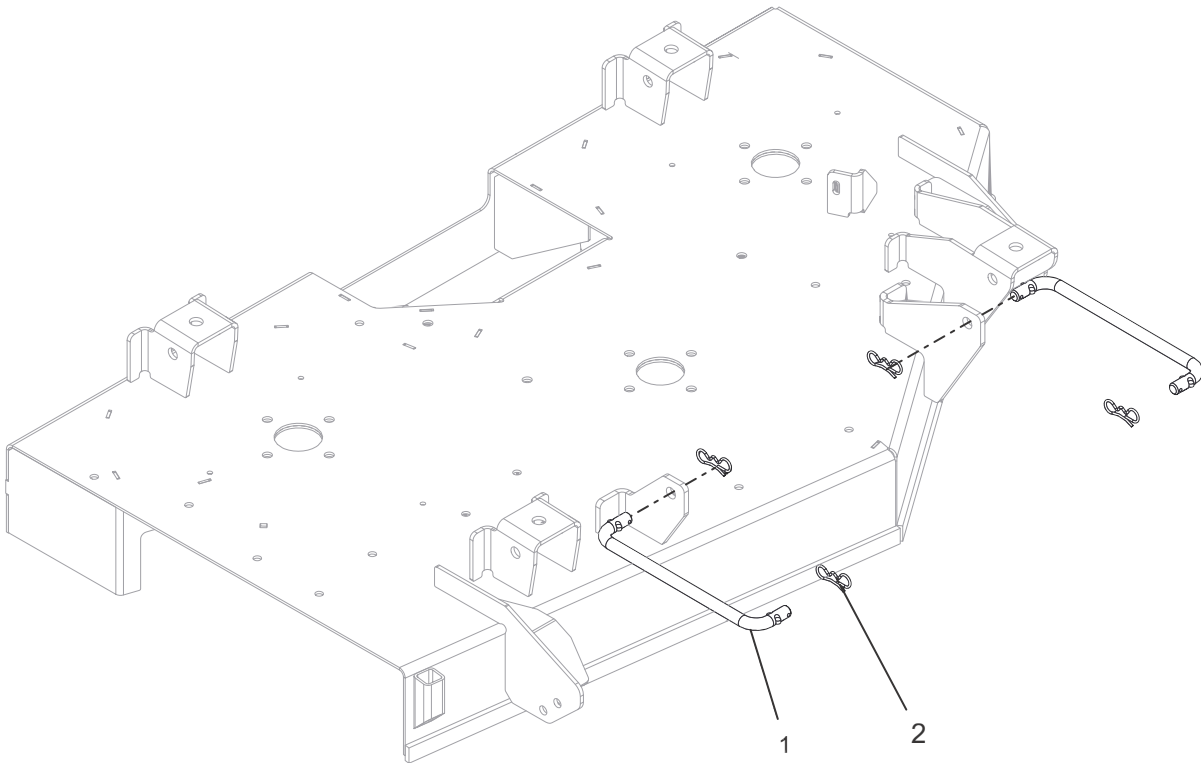
Models All



BOM ID	Number	Qty	Description
1	04741759	1	WLDMT, HOC LINK (ORANGE)
2	04742100	1	ARM, HOC DETENT
3	05091700	1	KNOB, HOC DIAL
4	05091900	1	CAMSHAFT, HOC CAM IKON
5	05501218	2	BUSHING, FLANGE .503X.75X.875X1.0
6	05800900	1	PIN-ROLL .125X1.00
7	06443300	3	WSHR-FL-NYL .518X1.00X.08
8	06600211	1	KEY, 1/8 X 1/8 X 1.0 REV
9	06700201	2	PIN, BOWTIE LOCKING .091X1.875
10	07400125	2	SCR-TAP .25-20X.38 HWH ZCC
11	07500319	1	CAM, HOC INDEX
12	04741800	1	WLDMT, HOC CAM

DECK MOUNT

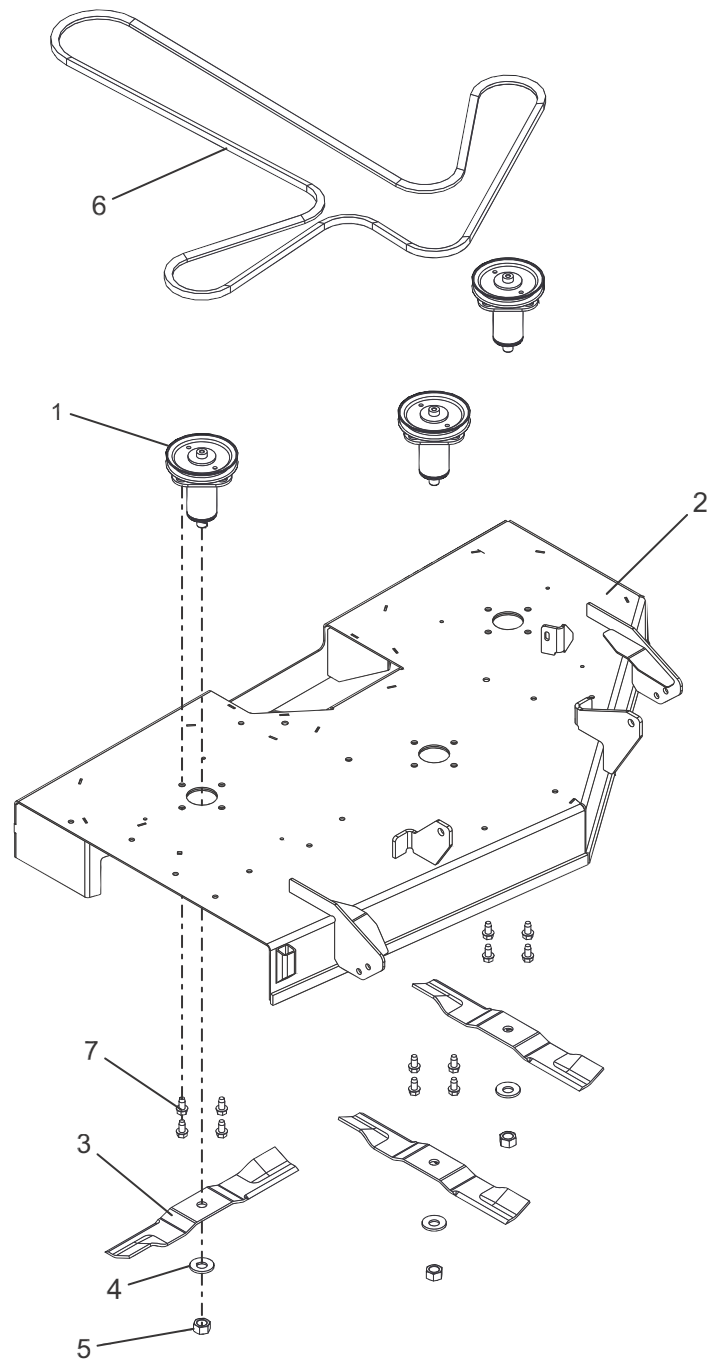
Models All



BOM ID	Number	Qty	Description
1	02004500	2	LINK, DRAG
2	06700201	4	PIN, BOWTIE LOCKING .091X1.875

DECK. BELT, BLADES AND SPINDLES – 42"

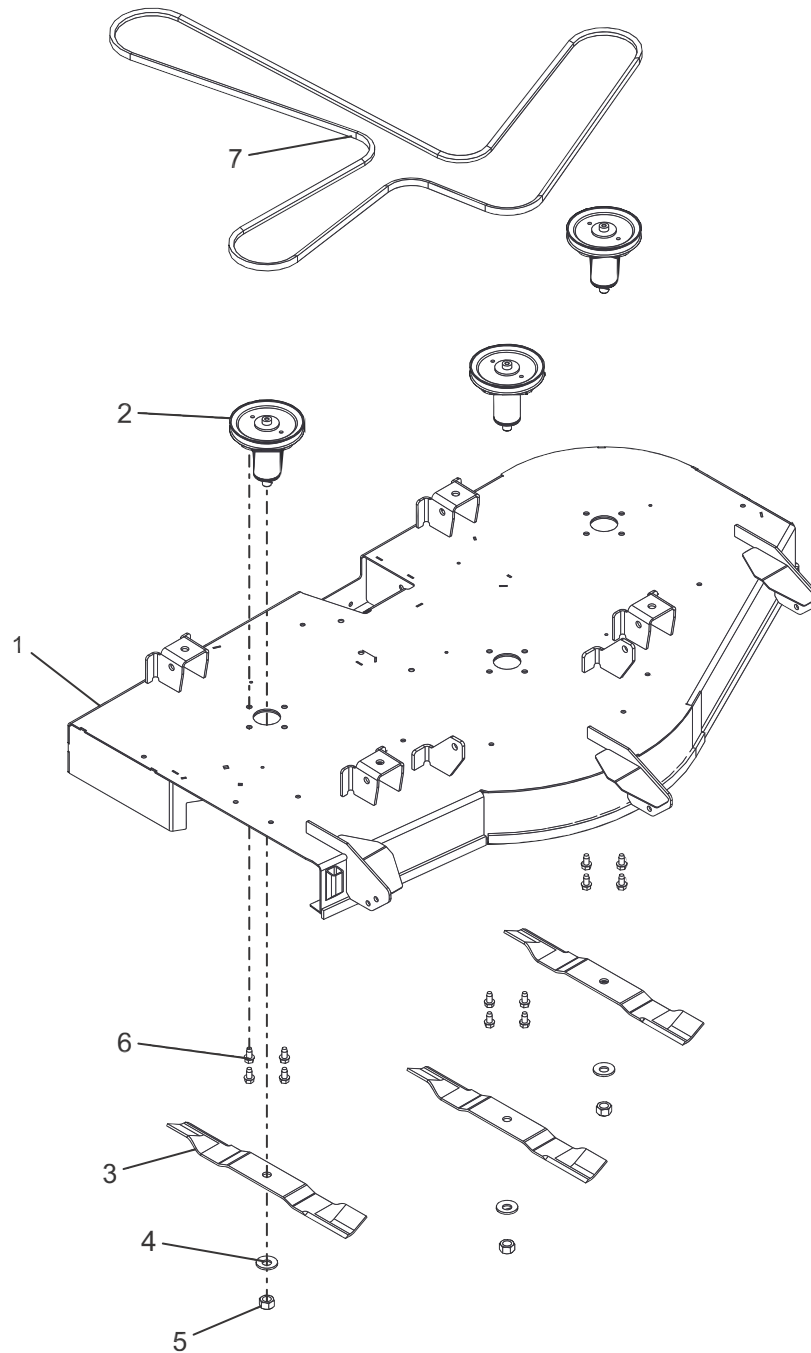
Models 915220, 224



BOM ID	Number	Qty	Description
1	51527900	3	ASM, SPINDLE
2	51532100	1	WLDMT, DECK 42" (ORANGE)
3	04769800	3	BLADE, MOWER
4	06445700	3	WSHR, BLVL-.63X1.625X.14
5	06500630	3	NUT-HEX .62-18 YWZC
6	07200523	1	V-Belt, HA-WRAPPED CLUTCHING (NO RUBBER BLEED THRU)
7	07400129	12	SCR-TAP .38-16X1.00 HWH ZCC

DECK, BELT, BLADES AND SPINDLES – 52"

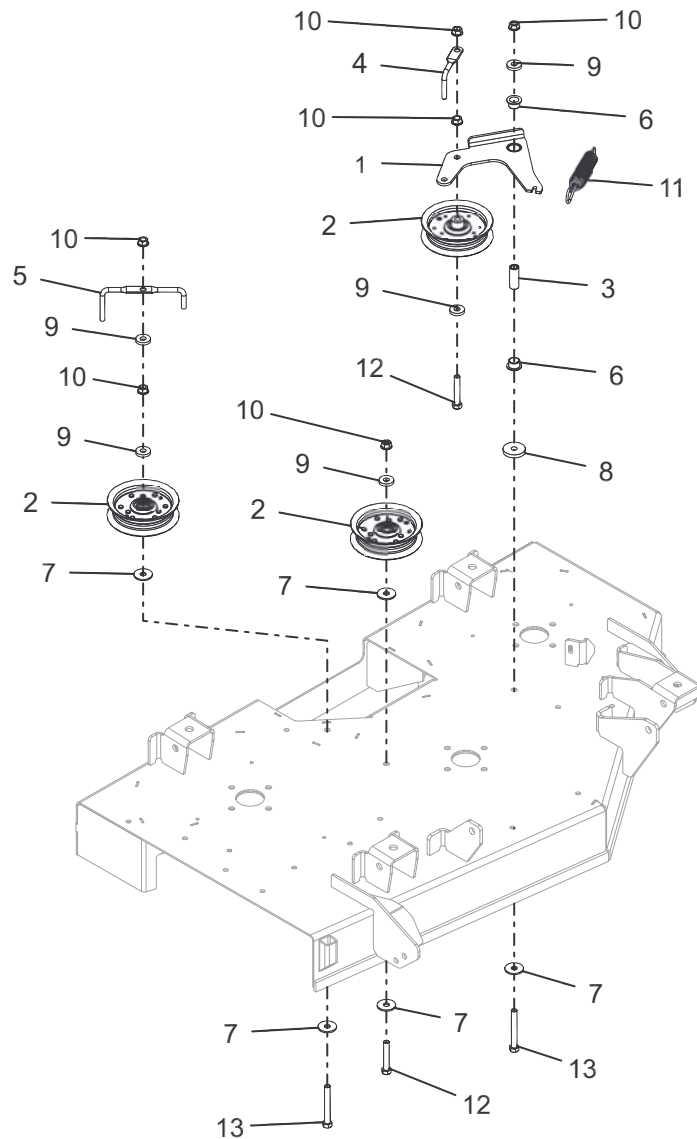
Models 915222, 223, 225



BOM ID	Number	Qty	Description
1	51532300	1	KIT, ARIENS DECK 52" WITH DECALS
2	51528000	3	ASM, SPINDLE
3	04771200	3	BLADE, 18" - 20 DEG .5 OFFSET
4	06445700	3	WSHR, BLVL-.63X1.625X.14
5	06500920	3	NUT, HEX .625-18 ZCC
6	07400129	12	SCR-TAP .38-16X1.00 HWH ZCC
7	07200023	1	V-BELT, HA-WRAPPED

IDLERS AND SHEAVES – 42"

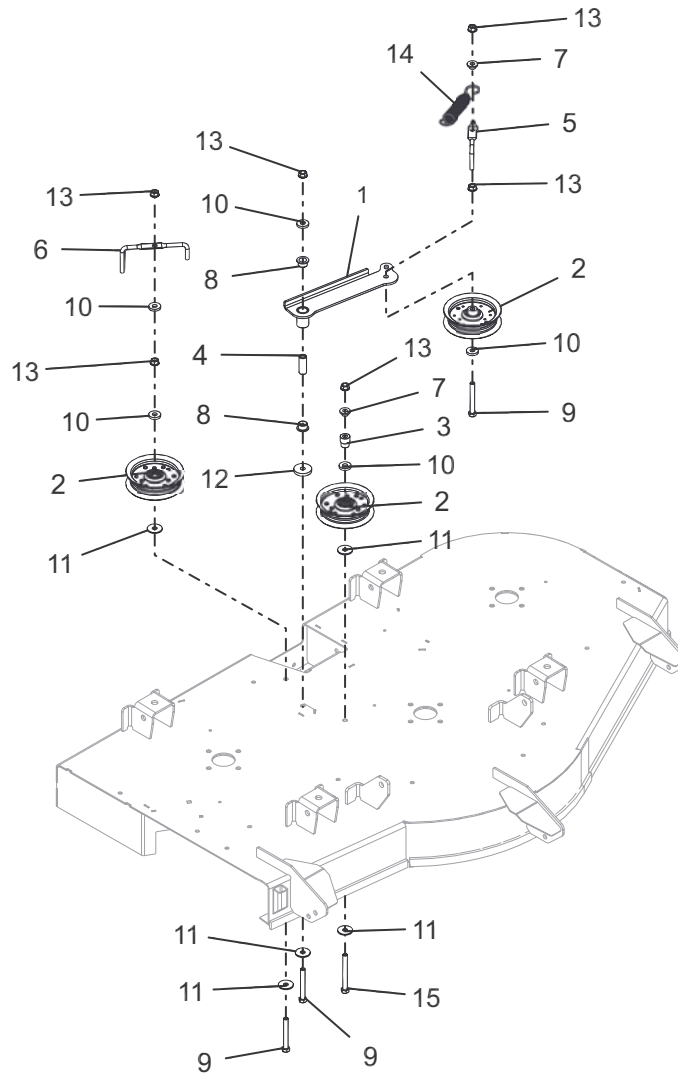
Models 915220, 224



BOM ID	Number	Qty	Description
1	04773359	1	WLDMT, IDLER ARM (ORANGE)
2	07300039	3	ASM, IDLER 4"
3	03763400	1	SPCR, .375IDX.625ODX1.66 PM
4	03828859	1	WIREFORM, BELT FINGER
5	03974159	1	FINGER, BELT
6	05500907	2	BSHG, FLANGE
7	06401021	5	WSHR-FL-STL 0.406X1.25X0.1 ZCC
8	06401110	1	WSHR-FL-STL 0.406X1.5X0.245 ZCC
9	06401108	5	WSHR-FL-STL 0.406X1X0.188 ZCC
10	06500822	6	NUT, FLG-TOP LK .375-16 GRF ZC120
11	08320300	1	SPRG, EXTENSION
12	05901640	2	BLT, HEX 0.375-16X2.25 GR5 ZC120
13	05901815	2	BLT, HEX 0.375-16X3F GR5 ZCC

IDLERS AND SHEAVES – 52"

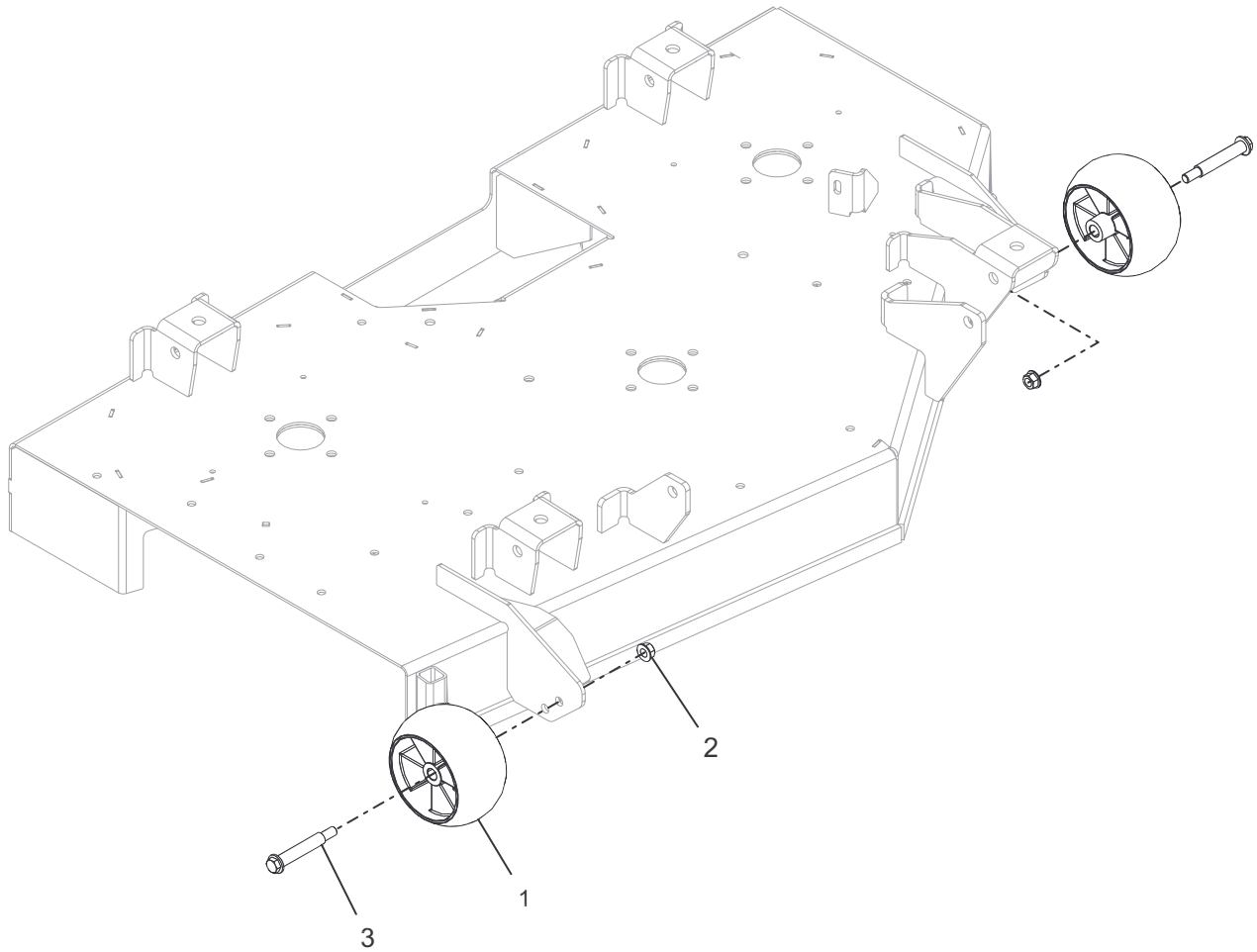
Models 915222, 223, 225



BOM ID	Number	Qty	Description
1	04795659	1	WLDMT, IDLER - 52" IDLER ARM
2	07300039	3	ASM, IDLER 4"
3	00679300	1	BUSHING, IDLER
4	03763400	1	SPCR, .375IDX.625ODX1.66 PM
5	03856859	1	WIREFORM, BELT FINGER-ORANGE
6	03974159	1	FINGER, BELT
7	05500435	2	BSHG, FLG .385 X .500 X .875 X .406
8	05500907	2	BSHG, FLANGE
9	05901815	3	BLT, HEX 0.375-16X3F GR5 ZCC
10	06401108	5	WSHR-FL-STL 0.406X1X0.188 ZCC
11	06401021	5	WSHR-FL-STL 0.406X1.25X0.1 ZCC
12	06401110	1	WSHR-FL-STL 0.406X1.5X0.245 ZCC
13	06500822	6	NUT, FLG-TOP LK .375-16 GRF ZC120
14	08320300	1	SPRG, EXTENSION
15	05901818	1	BLT, HEX 0.375-16X3.5 GR5 ZCC

ANTI-SCALP ROLLERS – 42"

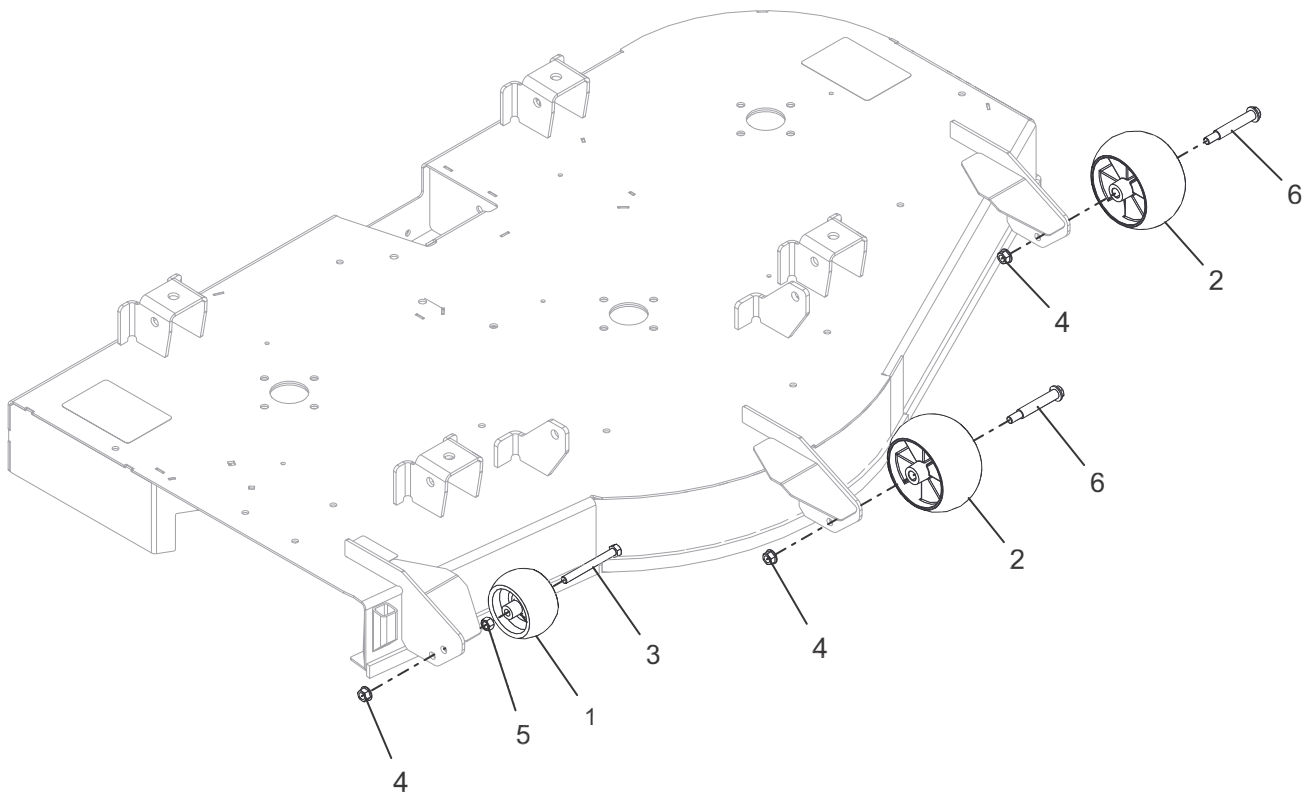
Models 915220, 224



BOM ID	Number	Qty	Description
1	03905600	2	ANTI-SCALP WHEEL - 5XOS
2	06500822	2	NUT, FLG-TOP LK .375-16 GRF ZC120
3	07056800	2	BLT-SHLDR .38-16X2.50 HWH G5 ZCC

ANTI-SCALP ROLLERS – 52"

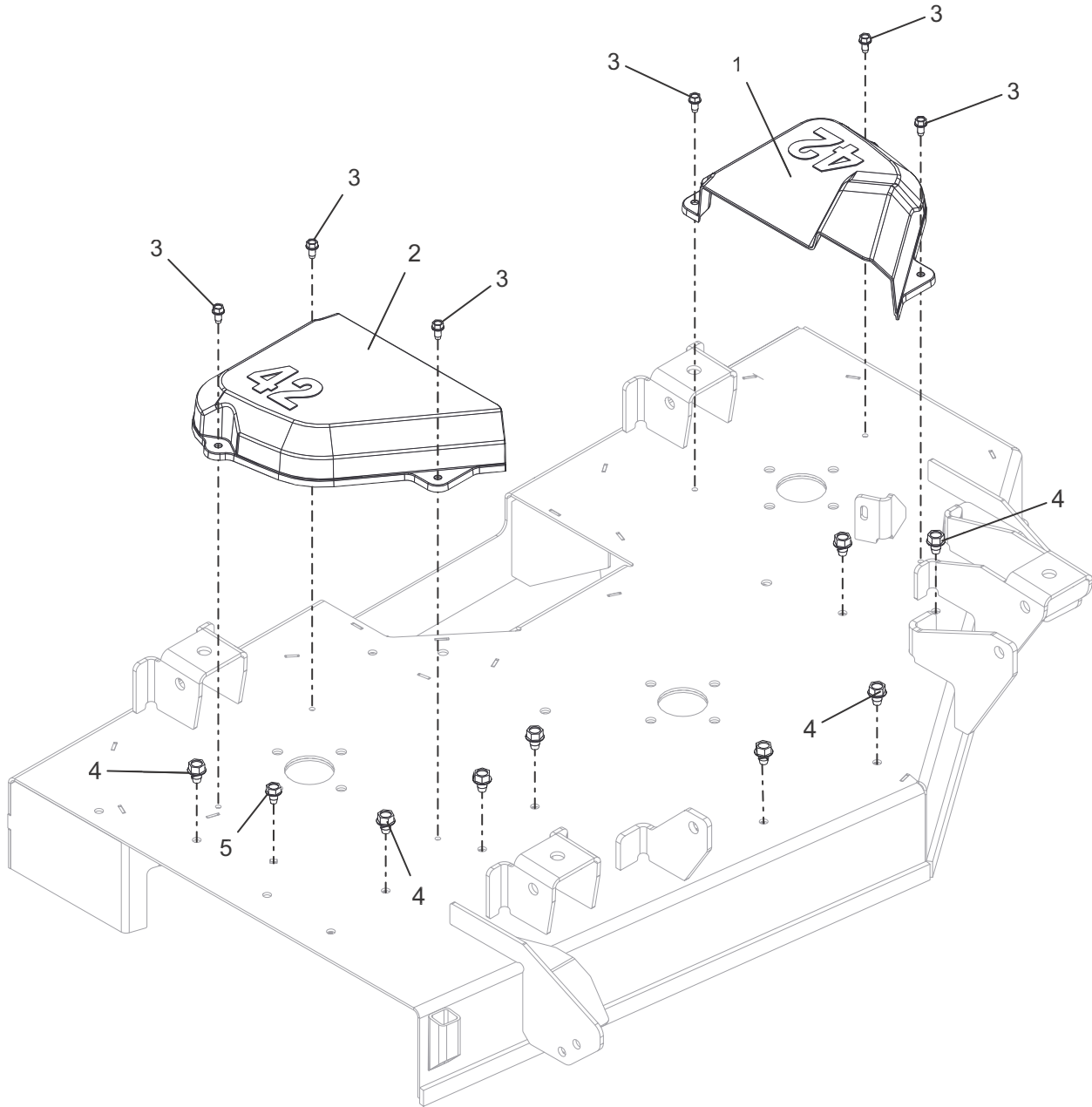
Models 915222, 223, 225



BOM ID	Number	Qty	Description
1	02745400	1	ROLLER
2	03905600	2	ANTI-SCALP WHEEL - 5XOS
3	05901818	1	BLT, HEX 0.375-16X3.5 GR5 ZCC
4	06500822	3	NUT, FLG-TOP LK .375-16 GRF ZC120
5	06529400	1	NUT-HEX .38-16 YWZC
6	07056800	2	BLT-SHLDR .38-16X2.50 HWH G5 ZCC

BELT COVERS – 42"

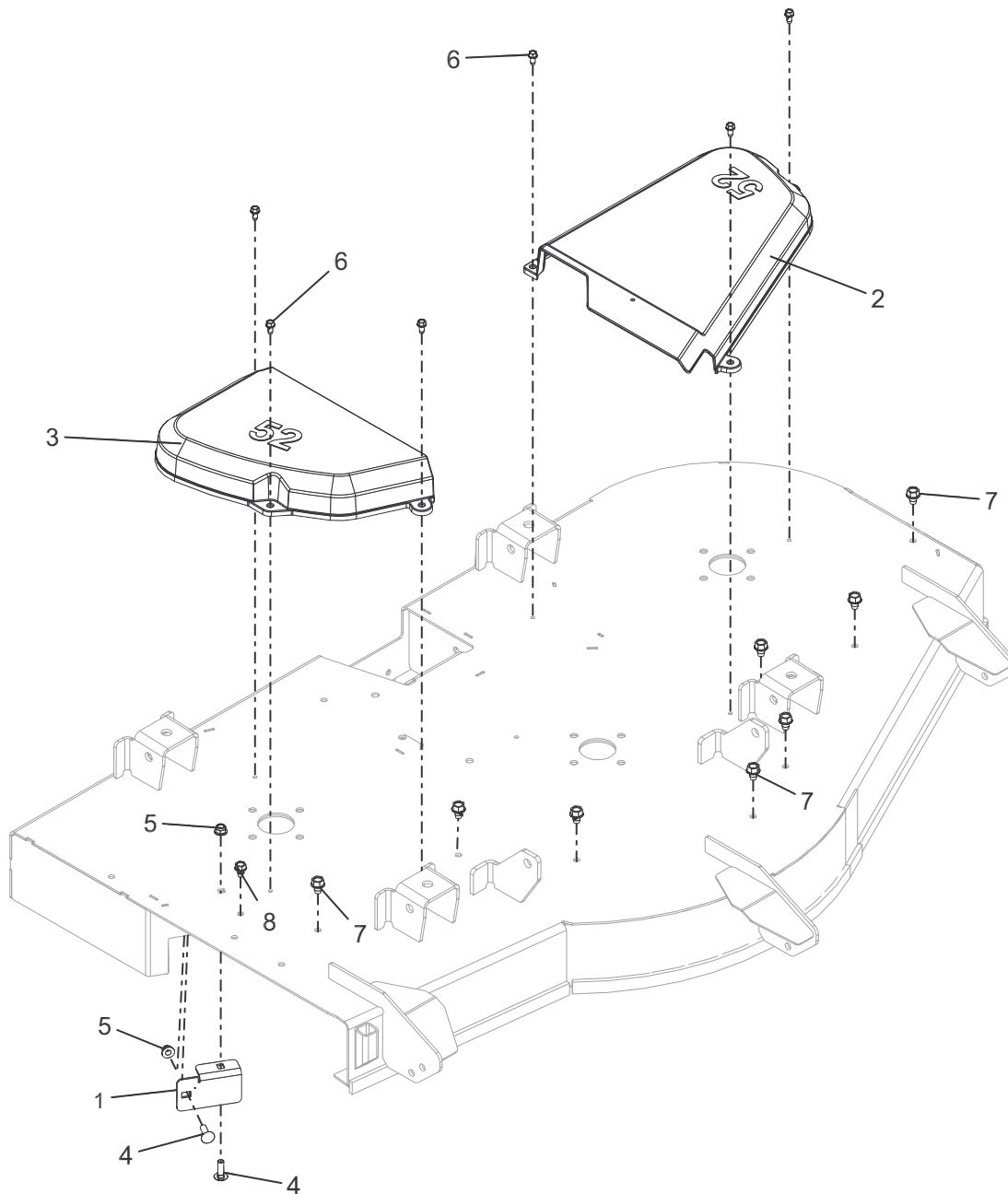
Models 915220, 224



BOM ID	Number	Qty	Description
1	04789100	1	COVER, BELT 42" LEFT
2	04789200	1	COVER, BELT 42" RIGHT
3	07400122	6	SCR-TAP .25-20X.50 HWH ZCC
4	07400126	7	SCR-TAP .38-16X.500 HWH ZCC
5	07400124	1	SCR-TAP .312-18X.50 HWH ZCC

BELT COVERS – 52"

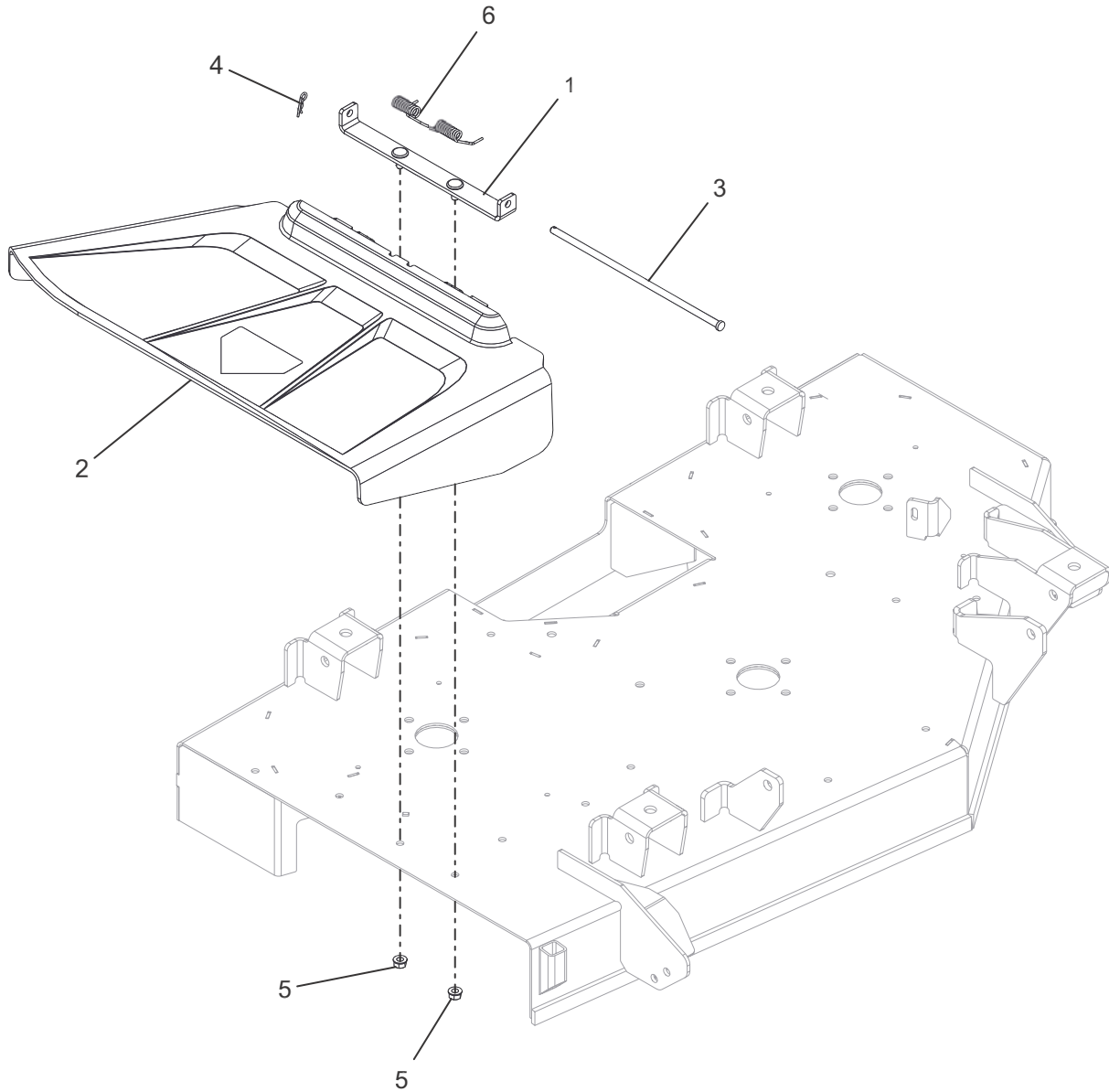
Models 915222, 223, 225



BOM ID	Number	Qty	Description
1	04771659	1	STRIP, DEFLECTOR
2	04792900	1	COVER, BELT 52" LH
3	04793300	1	COVER, BELT 52" RIGHT
4	06200231	2	BTL,RHSN .313-18 X 1 G5 ZCC
5	06500809	2	NUT, LK-NYL-FLG .31-18 GR5 ZC120
6	07400122	6	SCR-TAP .25-20X.50 HWH ZCC
7	07400126	7	SCR-TAP .38-16X.500 HWH ZCC
8	07400124	1	SCR-TAP .312-18X.50 HWH ZCC

CHUTE

Models All



BOM ID	Number	Qty	Description
1	04799859	1	WLDMT, CHUTE MOUNTING BRACKET (ORANGE)
2	04795000	1	CHUTE, SIDE DISCHARGE
3	04815900	1	PIN, 5/16 X 10.5
4	06700222	1	PIN, HAIR #213 .08X1.19 ZCC
5	06500904	2	NUT, FLG-TOP LK .312-18 GR5 ZCC
6	08300621	1	SPRG, TORSION .35 ID (CHUTE)



ARIENS®

Ariens Company

655 West Ryan Street
Brillion, WI 54110

ariensstore.com
(Dealer Locator)

ariens.custhelp.com
(Customer Support)



— An *Ariens* Company Brand