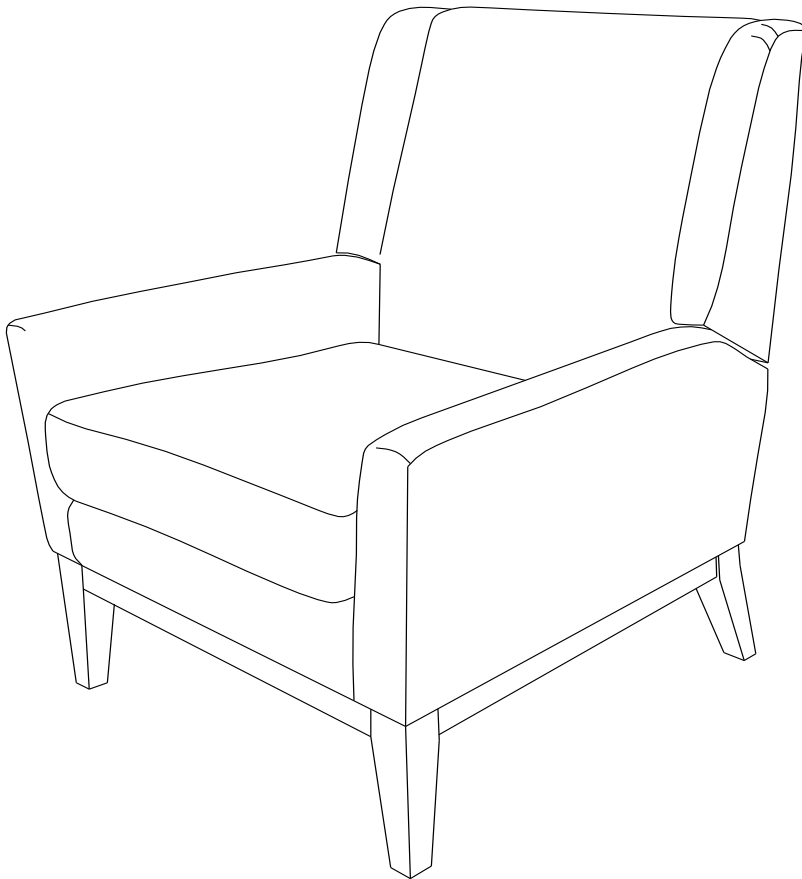


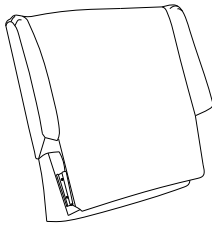
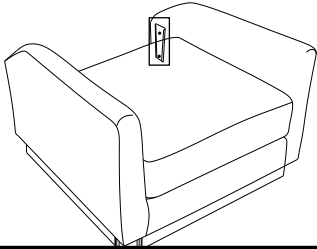

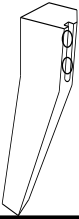
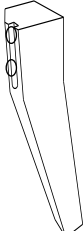
Assembly Instructions

Caution : You must read this before you proceed



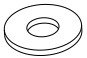

Club Chair



Parts List

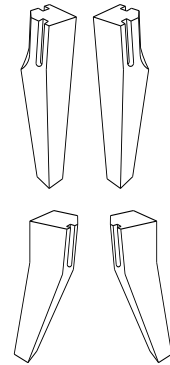
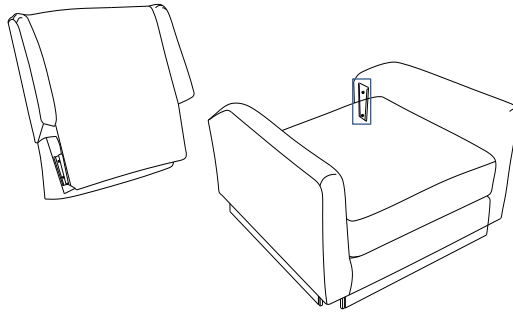
Label	Picture	Description	QTY
A		Backrest (with the pre-installed Rail)	1
B		Chair Seat (with the pre-installed Rail)	1
C		Front Leg	2
D		Back Left Leg	1
E		Back Right Leg	1

Hardware

Label	Picture	Description	QTY
①		Bolt (M8*50MM)	5
②		Spring Washer Rings	5
③		Flat Washer Rings	5
④		Allen Key	1

Assembly Preparation

Before
Beginning
Assembly:



- Read instructions, cover to cover-



- Have 2 adults on hand for assembly-



- Do not assemble on flooring or carpet-

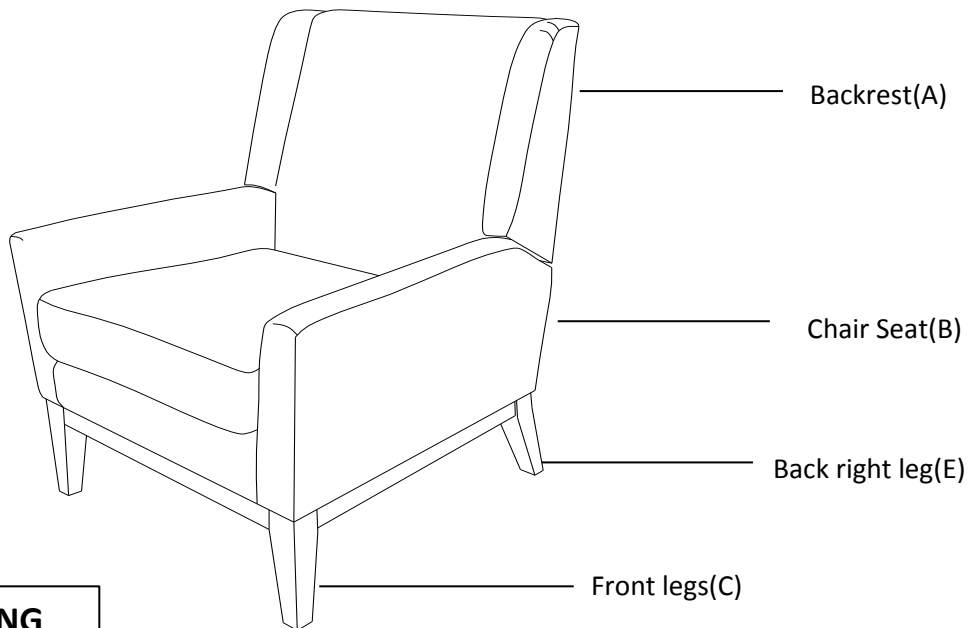


- Assemble on a clean non-marring surface (packing foam)-



- Save all packaging until finished-

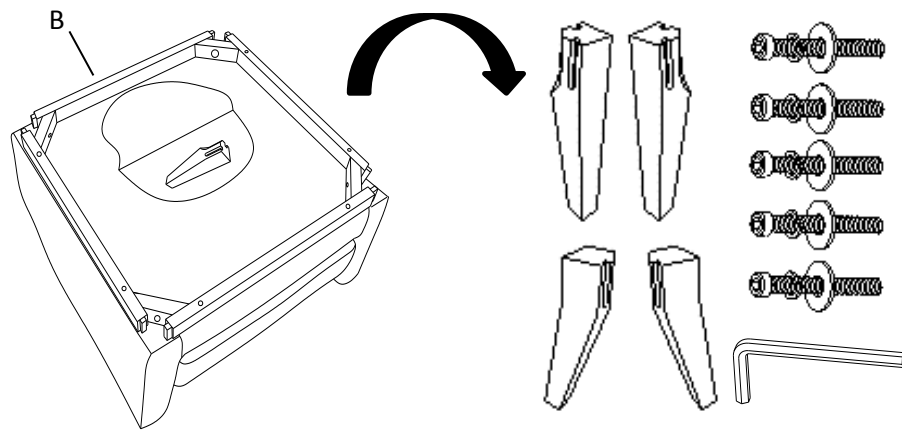
Assembly Steps



FRONT FACING

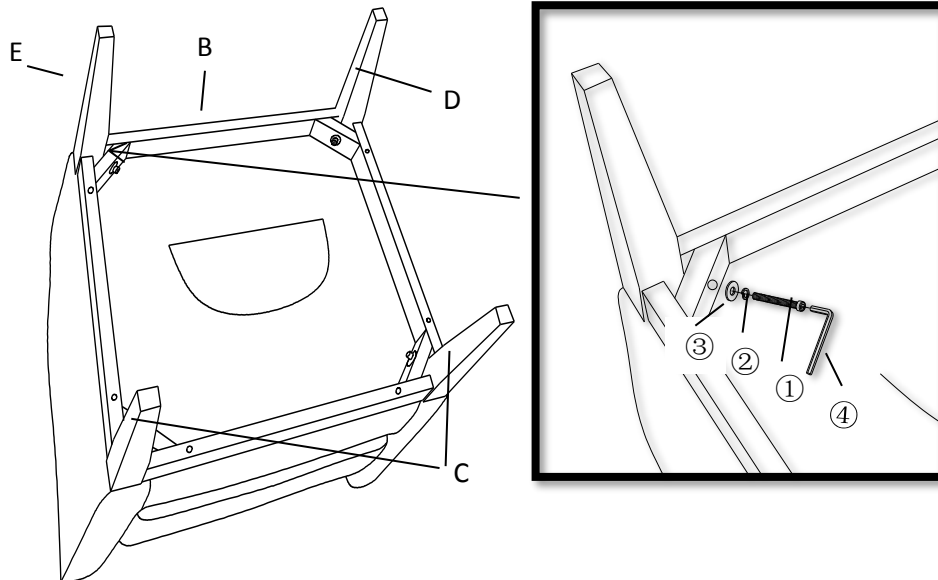
This Club Chair has multiple parts and may require up to some 30 minutes to assemble. To give you an overview of the Club Chair parts, the above picture is to help you put the various parts into perspective. Please read through the instructions below to familiarise yourself with the parts and steps before assembly.

Step 1



Place the Seat(B) on a clean, non-marring surface with the bottom facing you, as shown in picture above. Carefully unzip the dust cover at the bottom, and remove the Legs and Hardware.

Step 2



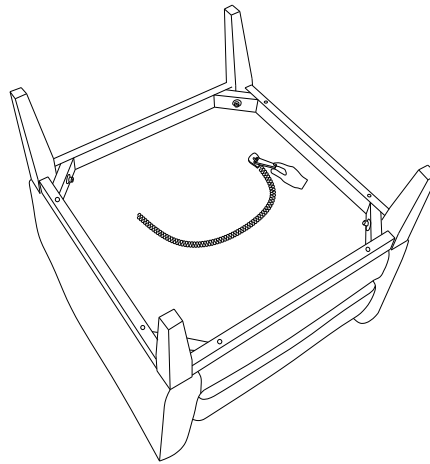
Insert Back Right Leg (E) into the mounting position of Seat(B) and attach using Bolt(①), Spring Washer(②) and Washer(③) with Allen Key(④).

Do not fully tighten the Bolts.

Repeat the same process to attach the remaining three Legs.

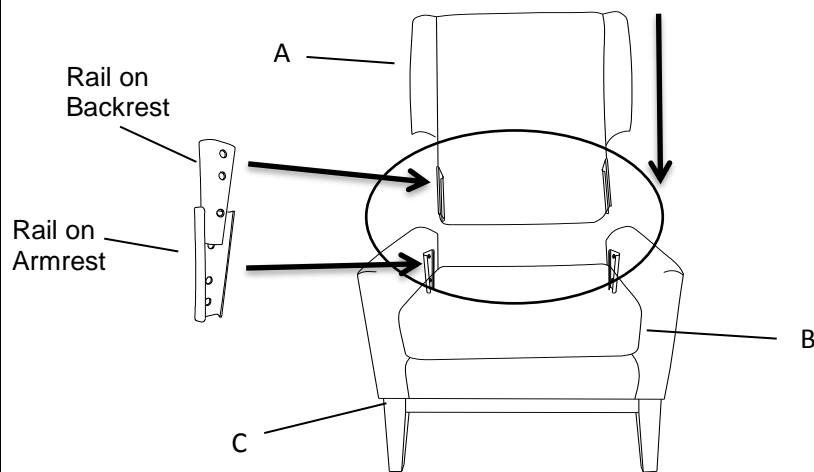
Be sure to place the correct Legs in the correct positions as pictured above.

Step 3



Zip up the dust cover at the bottom of the Seat.

Step 4



Stand the Chair up.

With assistance from your partner, lift the Backrest(A) up.

Align the Rails on Backrest with the Rails on Seat.

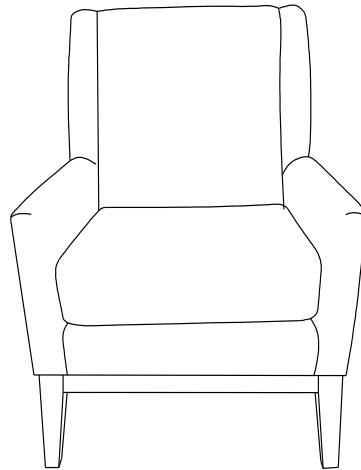
Then push the Backrest(A) downwards until it is fully slotted and locked into position.

Both sides of Backrest(A) must be slipped and slid into position at the SAME TIME until it fully locks in its housing.

Note: Ensure the Rail on Backrest locks into the Rail on Armrest.

Assistance from your adult partner is needed during this process.

Step 5



Stand the Club Chair up.

Place the Club Chair on a **LEVEL SURFACE**.

Inspect it and make sure all parts are adequately connected.

Gently and carefully, sit on the Club Chair.

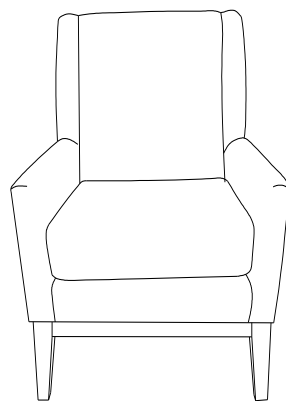
This will help to align all parts at all joints.

Then get off the Club Chair, and carefully place the Club Chair facedown.

Then proceed to tighten all Bolts at all joints in a sequential manner.

If there are still wobbles, loosen the Bolts and execute the same process.

Step 6













Stand the Club Chair up.

Your Club Chair is ready for use.

This Club Chair can only be used on a flat, level surface.

Care & Maintenance

-  Do not put hot items directly on furniture surface
 -  Do not clean furniture with harsh cleansers or polish.
 -  Do not place furniture under direct sunlight.
 -  Do not place furniture near heating or cooling vents.
 -  Do not write on furniture without a padded barrier to protect the surface.
 -  Do not place furniture outside . For indoor use only .
 -  Not for commercial use. For residential use only .
 -  Stains may be removed with mild soap solution and damp cloth.
 -  Children should not climb or jump on the furniture.
-
-  Dust and pick-up spills using a clean, non-colored, lint-free cloth .

What is Proposition 65?

Proposition 65 is a California law that requires warning labels on products that may contain one of more than 800-plus chemicals or ingredients that the California Office of Environmental Health Hazard Assessment (OEHHA) has deemed to cause cancer or other reproductive toxicity. Chemicals and elements on this list include wood dust, brass, and other everyday substances, which can be found in very common household items, such as: lamps, tableware, jewelry, crystal glasses, electric cords, beauty products, automobiles, and furniture.

Why Did I Find a Proposition 65 Warning on My Home Goods Product?

We include Proposition 65 warnings on all of our products because there is always a chance that one of the 800-plus common chemicals and ingredients listed under this law could potentially be on our furniture or packing materials. We risk large fines under this law, if we don't include this warning.

Should I worry?

We realize you may be worried finding this warning on our products, but we want to reassure you that the hazardous exposure limits for any of these chemicals have never been found on furniture products that we've shipped to our customers. Additionally, this warning label is very common and can be found on almost every piece of furniture sold in the state of California.

Just How Common Are Proposition 65 Warnings?

Proposition 65 warnings have become so common in California that it is hard to take a trip to a local bank, grocery store, or restaurant without finding at least one warning. In fact, even the Disney Land Resort has a Proposition 65 warning:

