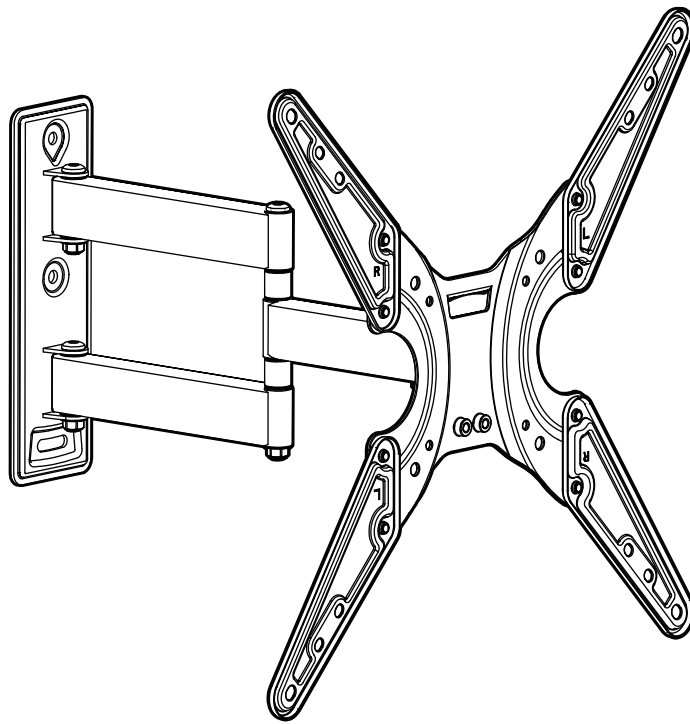


USE AND CARE GUIDE

FULL MOTION WALL MOUNT



Questions, problems, missing parts? Before returning to the store,
call Commercial Electric Customer Service
8 a.m. - 7 p.m., EST, Monday - Friday, 9 a.m. - 6 p.m., EST, Saturday

1-877-527-0313

HOMEDEPOT.COM

THANK YOU


We appreciate the trust and confidence you have placed in Commercial Electric through the purchase of this wall mount. We strive to continually create quality products designed to enhance your home. Visit us online to see our full line of products available for your home improvement needs. Thank you for choosing Commercial Electric!


Table of Contents


Safety Information 2
Warranty 3
Pre-Installation 3
Installation 6

Safety Information

Before you begin, carefully read and understand the instructions in this manual. Please follow the instructions in the order presented in this manual and observe all warnings and cautions.


 **WARNING:** Failure to provide adequate structural strength for this component can result in physical injury and/or damage to equipment. It is the installer's responsibility to make sure the structure to which this component is attached can support four times the combined weight of all equipment. Reinforce the structure as required before installing the component.

 **WARNING:** This wall or ceiling mount is intended for use only with the maximum weights indicated. Use with products heavier than the maximum weights indicated may result in collapse of the mount and its accessories causing possible injury. This mount has been tested to support 80 lbs. (36 kgs). Do not exceed this weight.


 **WARNING:** Observe all safety measures at all times during the installation of this product. Use proper safety gear and tools during the installation process to prevent physical injury.

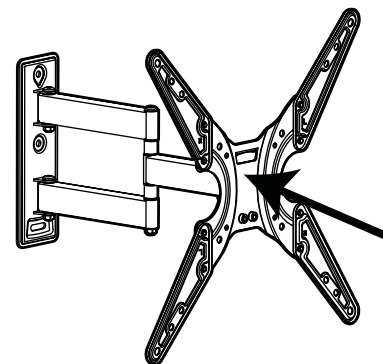
 **CAUTION:** Never allow children to climb on or play with the product.

 **CAUTION:** Never use this TV wall mount for DRYWALL installation.

 **CAUTION:** Do not sit or stand on the product.

 **CAUTION:** Improper handling can result in cuts and lacerations.

 **CAUTION:** Improper installation may cause property damage and/or personal injury, so the installation must be done by two qualified contractors. The manufacture is not liable for damage or injury caused by incorrect mounting, assembly or use.



This mount has been tested to support a television with a minimum of 20 in. (51 cm) and a maximum 56 in. (142 cm) diagonal screen and a weight up to 80 lbs. (36 kgs).

Warranty

The manufacturer warrants that it will replace or repair this item, free of charge, at the manufacturer's sole discretion, should it prove defective in materials or workmanship.

This warranty does not apply to:

- Normal wear and tear
- Friction damage
- Coating defects
- Defects caused by loosened screws, nuts, or bolts
- Improperly mounting the bracket to the wall
- Improperly installing the bracket to the display
- Failure to properly follow installation instructions
- Modification or repairs not made or authorized by the manufacturer
- Loading beyond permitted load
- Intentional misuse

Contact the Customer Service Team at 1-877-527-0313 or visit www.HomeDepot.com.

Pre-Installation

PLANNING INSTALLATION

Compare all parts in the package with the Hardware Included and Package Contents lists in this manual. If any part is missing or damaged, do not install this wall mount system and call customer service at 1-877-527-0313 or visit www.HomeDepot.com.

This wall mount bracket is compatible with VESA 100/200/300/400 mm mounting holes.

PLANNING WALL PLACEMENT



CAUTION: Ensure the wall you select is a weight-bearing wall. Failure to observe this precaution can result in serious physical injury and/or property damage. Consult a professional installer or contact customer service if you have any questions.

When selecting a wall to mount your display, keep the following in mind:

- Select a place with easy access to power outlets, cable input sources, and connections for speakers and accessories.
- Avoid direct sunlight, heat, and vibrations and do not place in direct flow of traffic.
- Select a weight-bearing wall. The wall must be able to safely support four times the combined load of the equipment and all attached hardware and components.

PLANNING MOUNTING HEIGHT

The optimal viewing height is to center the display at eye level when seated. Many people consider this to be too low for a wall mount, and commonly use the following rule for placement:

- Position the bottom of the display no higher than eye level when seated, and the top of the display no higher than eye level when standing. Anything within these limits should normally provide a comfortable viewing experience.

Pre-Installation (continued)

ENSURING WALL STABILITY

Carefully inspect the wall area you have selected. Examine the wall surface before you begin drilling.



WARNING: Do not drill near electrical wiring and water pipes.



CAUTION: Wood studs must be no smaller than 2 x 4 in. in size. Ensure the surface covering does not exceed 5/8 in.



CAUTION: Concrete walls must have a minimum thickness of 5.5 in. Ensure the surface covering does not exceed 3/8 in.



CAUTION: Do not install this product on a concrete block.

- For concrete walls, check for damaged or loose concrete and do not drill in those areas.
- For brick wall, never drill into the mortar between blocks.
- For wood studs, locate the wall studs and drill in the center of the stud.

TOOLS REQUIRED (NOT INCLUDED IN THE PACKAGING)



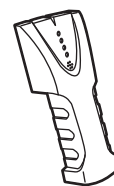
Power drill



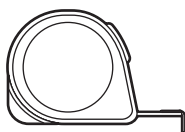
5-32 in. (4 mm)
wood drill bit or
3/8 in. (10 mm)
masonry drill
bits



Phillips
screwdriver



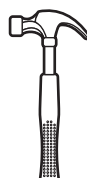
Stud finder



Measuring
tape



Pencil



Hammer

Pre-Installation (continued)

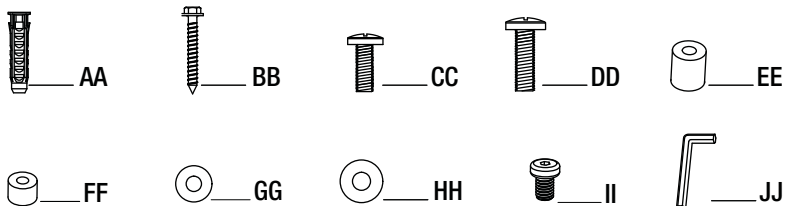
HARDWARE INCLUDED



NOTE: Hardware not shown to actual size.



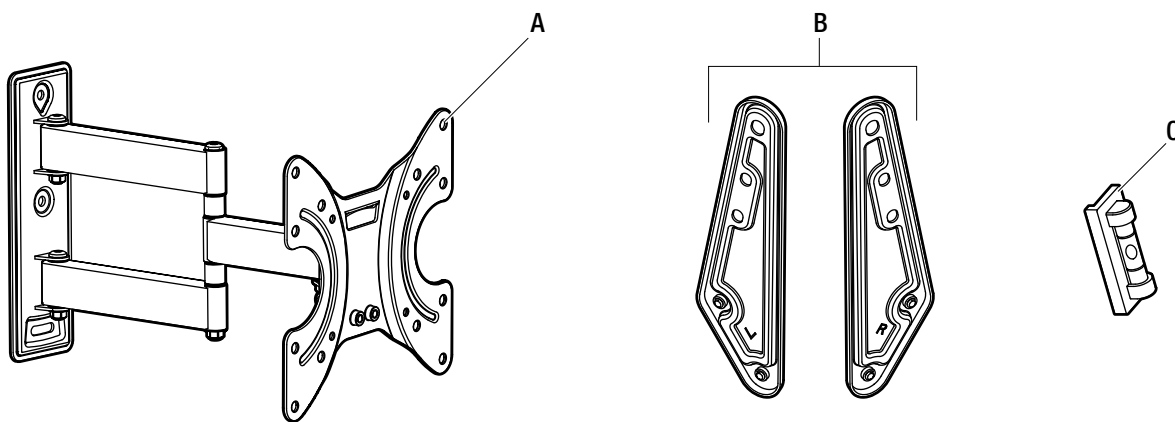
NOTE: The hardware included is suitable for mounting to walls made of brick, solid concrete, or wood studs covered with drywall. If your mounting situation is different, please consult a qualified installer or contact customer service at 1-877-527-0313 or visit www.HomeDepot.com.



Part	Description	Quantity
AA	Anchor	3
BB	Lag bolt	3
CC	M4, M5, M6 x 12 and M8 x 16 bolts	4 each
DD	M4/M5 x 30, M6 x 35 and M8 x 40 bolts	4 each
EE	M6/M8 spacer	4

Part	Description	Quantity
FF	M4/M5 spacer	4
GG	M4/M5 washer	4
HH	M6/M8 washer	4
II	M6 x 8 bolt	8
JJ	Hex wrench	1

PACKAGE CONTENTS



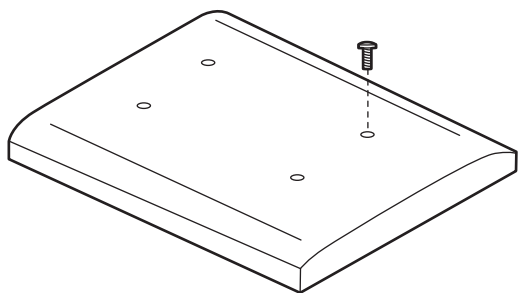
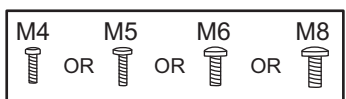
Part	Description	Quantity
A	Wall plate unit	1
B	Arm extender	4
C	Bubble level	1

Installation

1 Identifying the bolt diameter to use

To ensure proper mounting of the brackets to your TV, this mounting system includes several sizes of bolts (CC and DD), washers (GG and HH), and spacers (EE and FF) that can be used in various combinations. Combinations are determined by the back style of the TV (flat, curved, or recessed) and the diameter and depth of those holes.

- Select the bolt (CC and DD) diameter to use by inserting the various sized bolts (CC and DD) (M4, M5, M6, and M8) into the mounting holes in the back of your TV.

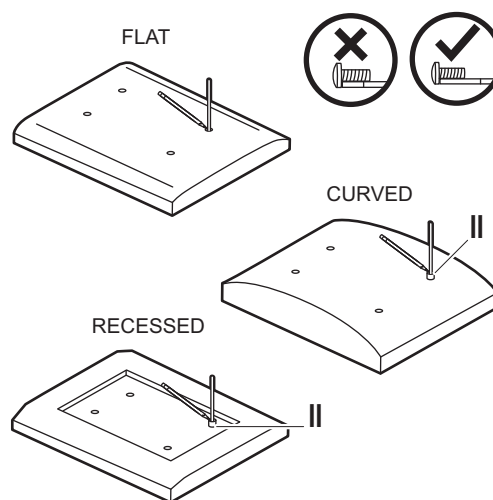


2 Identifying the bolt length to use

- Insert a straw or toothpick into one of the mounting holes on the back of your TV. If your TV is curved or recessed, place the proper sized spacer (EE or FF) on top of one of the mounting holes first.
- Use a pencil to mark the depth of the mounting hole.
- Determine the proper bolt length to use by comparing the mark with the various bolts provided.

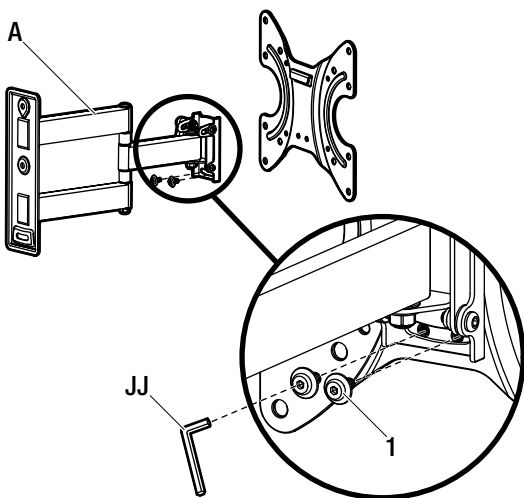


CAUTION: When the bolt is longer than the mark, choose a shorter bolt.



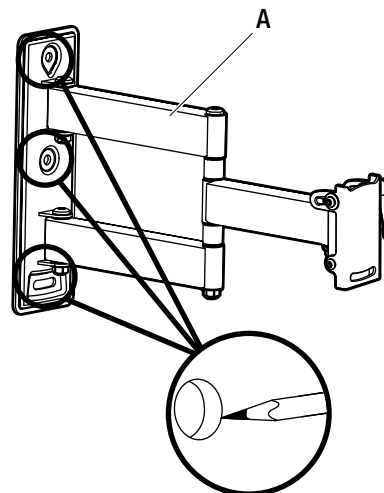
3 Separating the TV plate

- Use the hex wrench (JJ) to remove the bolts (1) that hold the TV plate on the wall plate unit (A). Save these bolts for later.



4 Marking the mounting holes

- Use the holes in the wall plate unit (A) as a template to mark the mounting hole locations for attaching the wall plate unit (A) to the wall.



Installation (continued)

5 Drilling mounting holes in concrete/brick wall

If you are installing the mounting system into wood studs, proceed to step 6.



CAUTION: Avoid drilling near electrical wiring and water pipes. The mounting system must be attached to a weight bearing wall. Failure to observe all safety precautions can result in serious physical injury and/or property damage. Consult a professional installer or call customer service if you have any questions.

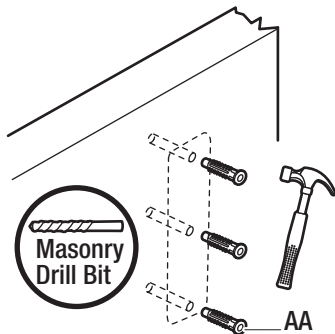


CAUTION: Do not drill into mortar between bricks or into loose concrete.



CAUTION: Never drill into hollow brick.

- Use 3/8 in. masonry bits to drill mounting holes in the concrete approximately 2.36 in. (6.00 cm) in depth.
- Insert nylon anchors (AA) into the pre-drilled holes. You may have to use a hammer to gently tap the anchors fully into the wall.



6 Drilling mounting holes in wood studs

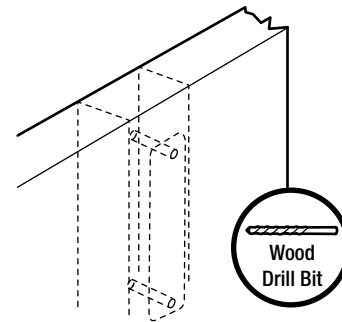


CAUTION: Avoid drilling near electrical wiring and water pipes. The mounting system must be attached to a weight bearing wall and must be installed directly onto the center of the wood studs. Failure to observe all safety precautions can result in serious physical injury and/or property damage. Consult a professional installer or call customer service if you have any questions.



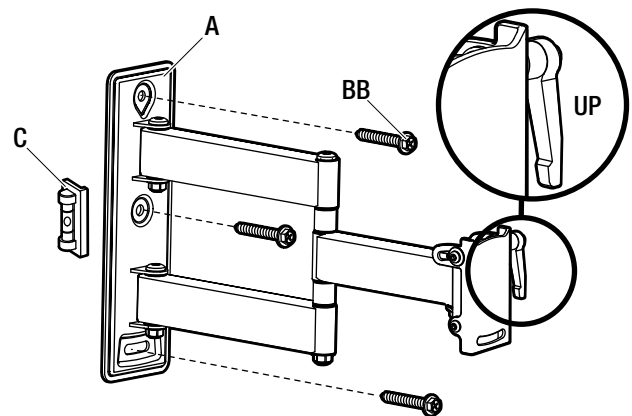
CAUTION: Wood studs must be no smaller than 2 x 4 in. in size.

- Use a commercially-available stud finder to locate the stud centers in the wall. Studs are usually spaced 16 in. apart.
- Use 5/32 in. (4 mm) wood drill bit to drill holes to a depth of 2.36 in. (6.00 cm).



7 Attaching the mounting arm to the wall

- Align the mounting arm holes with the pre-drilled holes in the wall.
- Use the level (C) to ensure that the mounting arm (A) is level on the wall.
- Attach the mounting arm (A) to the wall using lag bolts (BB). Tighten the bolts (BB) securely using a Phillips screwdriver and a socket tool (not included).



Installation (continued)

8 Attaching the mounting plate to the TV (VESA 100 and 200)



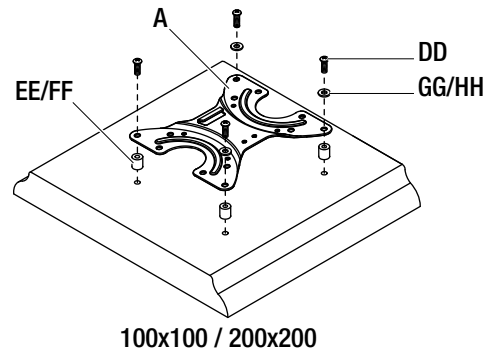
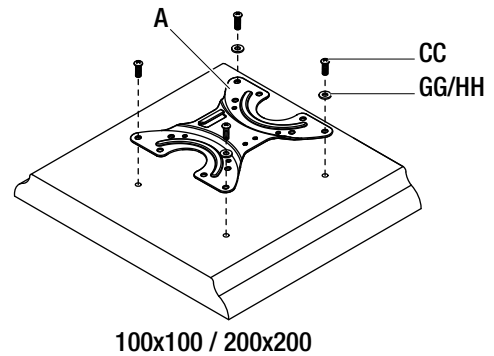
NOTE: If the back of the TV is not flat, or the bolts are too long, or there is interference between the TV bracket and cable inlets, we strongly recommend the use of spacers.

This procedure describes how to attach the mounting plate to VESA 100 and 200 TVs. For VESA 300 and 400, proceed to step 9.

- If necessary, align spacers (EE) or (FF) over the mounting holes on the back of your TV.
- Position the wall plate (A) over the TV and attach using the appropriately sized bolts (CC or DD) and washers (GG or HH).



CAUTION: Do not overtighten the bolts as this could damage your TV.

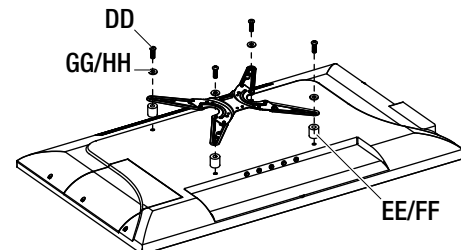
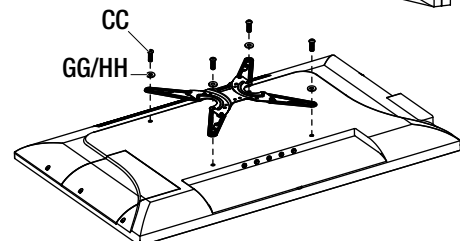
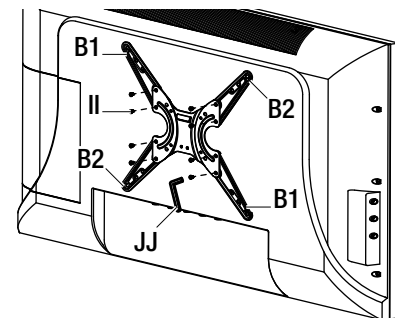


9 Attaching the mounting plate to the TV (VESA 300 and 400)

- Attach the left and right arm extenders (B1 and B2) to the wall plate (A) using M6 x 8 bolts (II).
- Align spacers (EE or FF) over the mounting holes on the back of your TV.
- Position the wall plate (A) with extenders (B) over spacers (EE or FF) and attach them to the TV using the appropriate sized bolts (CC or DD) and washers (GG or HH).



CAUTION: Do not overtighten the screws as this could damage your TV.



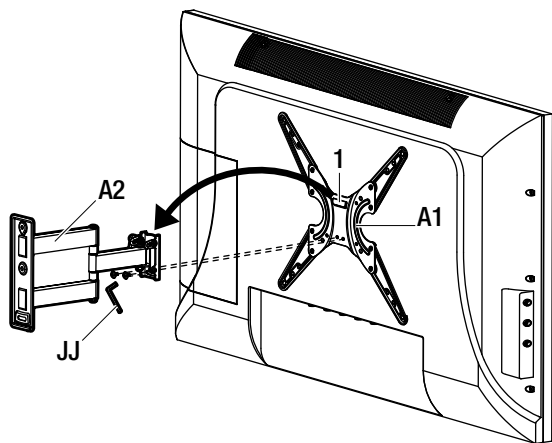
Installation (continued)

10 Attaching the TV to the wall plate unit



CAUTION: Use two or more people to complete this step.

- Align the wall plate (A1) with the end of the wall plate unit (A2) and slide the tab (1) on the wall plate (A1) onto the top edge of the wall plate unit (A2).
- Attach the bottom end of the wall plate unit (A2) to the wall plate (A1) using the bolts you removed in step 3.

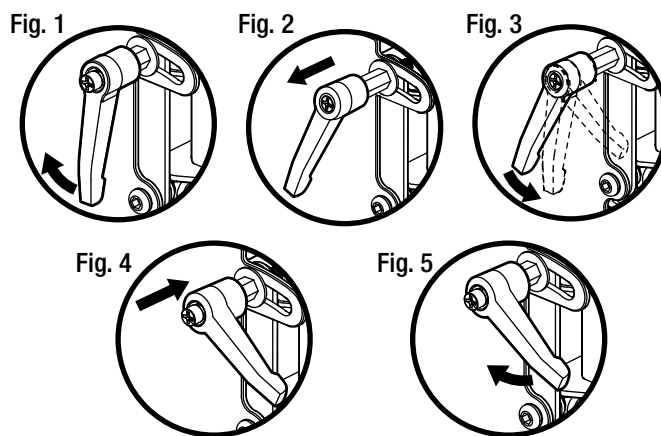


11 Adjusting the handle

- Turn the handle clockwise until it stops (Fig. 1), and pull the handle out from the wall mount (Fig. 2).
- With the handle pulled out of the wall mount, turn the handle counterclockwise (Fig. 3).
- Push the handle back into the wall mount (Fig. 4), and turn it clockwise to continue fastening the wall mount (Fig. 5). Repeat these steps until the TV is secured tightly against the wall.

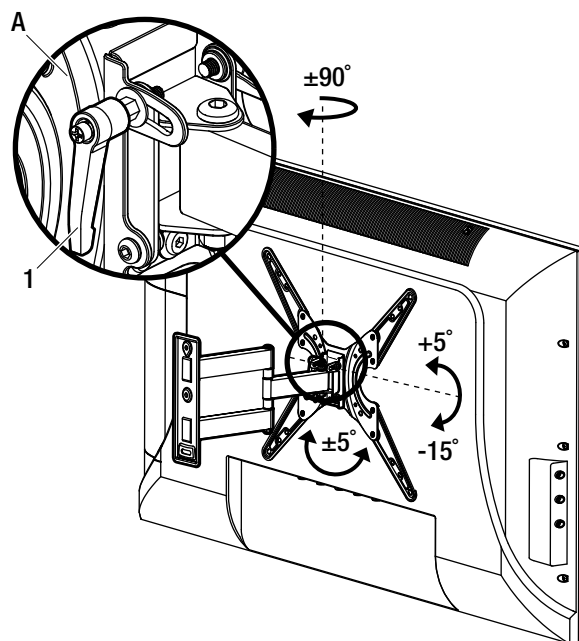


NOTE: Keep the handle parallel with the wall. Otherwise the handle may break as the TV is pushed back against the wall.



12 Adjusting the angle of the TV

- Adjust the angle of the TV by loosening the handle (1) on the wall plate assembly (A). Refer to the figure for the various angle adjustments. Securely tighten the handle (1) when you are finished.





Questions, problems, missing parts? Before returning to the store,
call Commercial Electric Customer Service
8 a.m. - 7 p.m., EST, Monday-Friday, 9 a.m. - 6 p.m., EST, Saturday

1-877-527-0313

HOMEDEPOT.COM

Retain this manual for future use.