

Installation Guide



U.S. Version



Tools & Materials Needed

- Hacksaw or metal cutting saw
- Drill
- Drill bits: 1/8", 1/4", 5/32", 7/32"
- 3/8" socket or wrench
- Phillips screwdriver
- Measuring tape
- Non-corrosive exterior silicone caulking

All fasteners are included with each component.



Self-drilling screw



Lag bolt



Phillips screw



Connector Bolt



See WARNING on inside panel

Dear Customer,

We'd like to take a moment to say "thank you and congratulations" for choosing our products. At Peak™ your satisfaction is very important to us. That is why we work very hard to provide you with products of exceptional quality, value, and beauty. And that is also why we want to hear from you.

Please contact us with your comments or suggestions at: quality@peakproducts.com

Or if you prefer, write to us at:

"Customer Care"

The Peak Group of Companies

P.O. Box 96060

Richmond, B.C. Canada V7A 5J4

Finally, we'd like to remind you to always work safely. Then, take pride, relax with your family and experience years of enjoyment with Peak™ products.

The Peak Group of Companies

⚠WARNING No representation or warranty is given that your particular application of these products complies with relevant building codes or that the fasteners provided or used are appropriate for your application. Consult with professionals and local building officials before beginning work: (i) to ensure compliance with relevant building codes for your application and for your proposed use of fasteners; (ii) to ensure the integrity of the structural components in connection with which these products are to be used; (iii) to identify appropriate safety gear that is to be used during installation such as a safety harness when working above ground; (iv) to ensure that the work area is free from utilities, services and hazards; and (v) to clarify any instructions or warnings that may not be clear. Work in a safe manner wearing protective gear such as gloves, eyewear, headwear, footwear and clothing. When using tools comply with operation manuals and instructions. Metal and glass may have sharp edges and could fragment or splinter during or as a result of handling or cutting. Do not use these products in connection with any substance that is or may be harmful or corrosive to the products. Inspect and maintain these products and the structural components that they are used in connection with on a regular basis, using professionals when appropriate.

No member of The Peak Group of Companies (as defined at www.peakproducts.com) shall be liable for any loss or damage resulting from the improper installation or use of this product. In the unlikely event that any member of The Peak Group of Companies becomes liable for any loss or damage, the aggregate liability shall be limited to the retail purchase price of the product.

Peak products and associated materials are protected by patents, designs, copyrights and/or trademarks used under license from Peak Innovations Inc. P.O. Box 96060, Richmond BC, Canada V7A 5J4.

IMPORTANT INFORMATION

Maximum post spacing: 6'

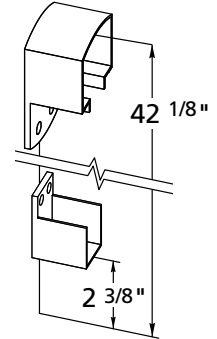
To prevent wood splitting and rot, drill 5/32" pilot holes and coat lag bolt threads with non-corrosive exterior silicone caulking. Ensure that the posts are plumb.

Ensure that the spacing between each of the following is less than 4":

- pickets
- pickets and post
- pickets and wall
- glass panels
- glass panel and post
- glass panel and wall

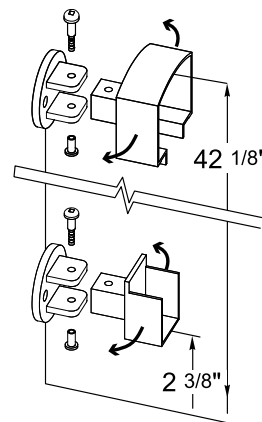
Wall Mount Brackets

Railings can be attached to a wall using wall mount brackets.



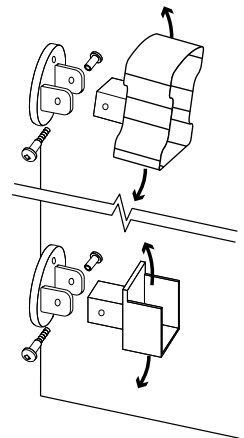
Universal Connectors

Used for horizontal angle applications



Stair Connectors

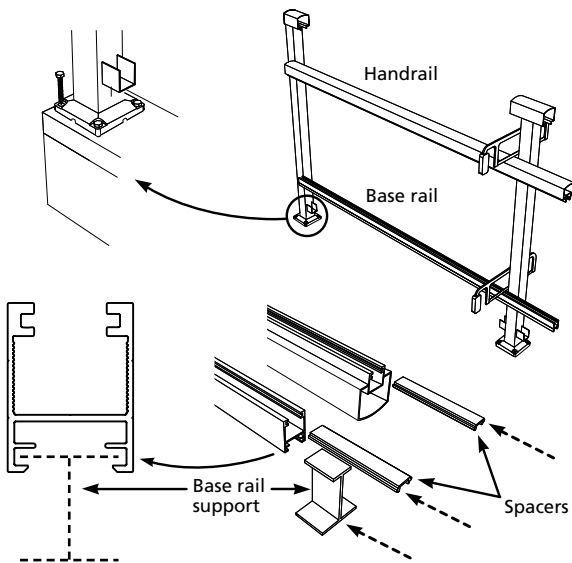
Used for Stair applications*



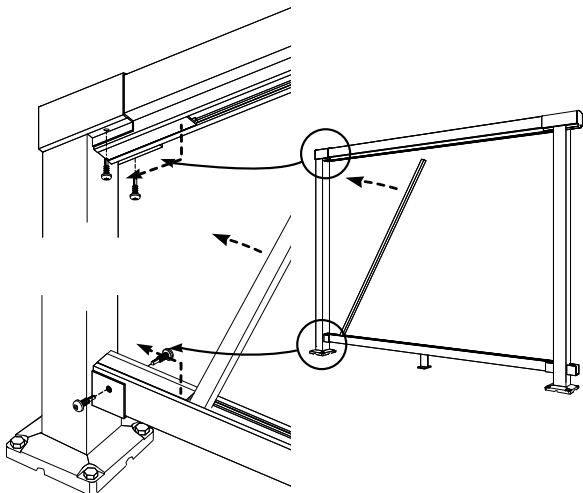
* Glass panels cannot be used on stair applications. Stair pickets must be used on stair applications.

PICKET INSTALLATION

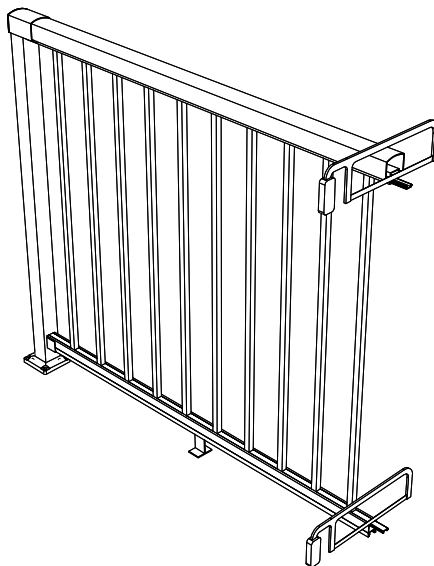
- 1** Measure and mark the position of all posts and space equally. Fasten the end post in place - ensure that the post is plumb. Temporarily position the second post - do NOT secure it yet. Cut the hand and base rails to fit between the posts. Install the base rail support(s) into the bottom channel of the base rail and install all but the last four spacers into each rail.



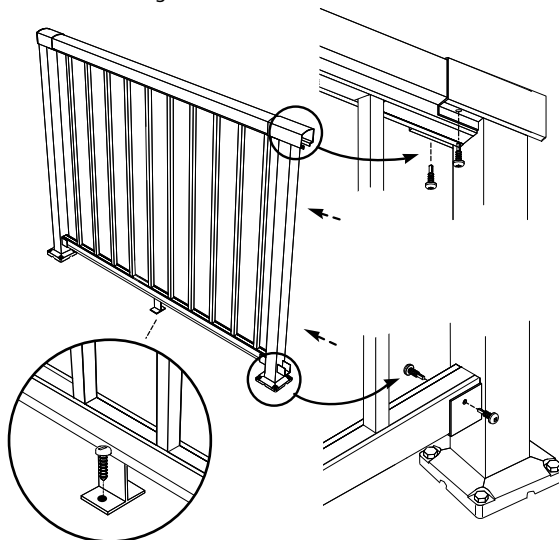
- 2** Insert the rails into the first post and secure these rails to this post with self-drilling screws. Use the second post as temporary support - do NOT secure the rails to the second post yet. Slide the first spacer in each rail against the first post. Insert a picket into the base rail and swing the top of the picket into the handrail as shown below. Repeat to complete the section.



- 3** Remove the temporary post to install the last few pickets and spacers. Cut the last spacers flush with the ends of the rails. NOTE: to ensure equal picket spacing at each post, cut the first and the last spacers in the hand and base rails to equal lengths.



- 4** Insert the rails into the second post. Position and fasten the second post in place - ensure that the post is plumb. Secure the rails to the second post with self-drilling screws. Repeat Steps 1-4 for each remaining section.



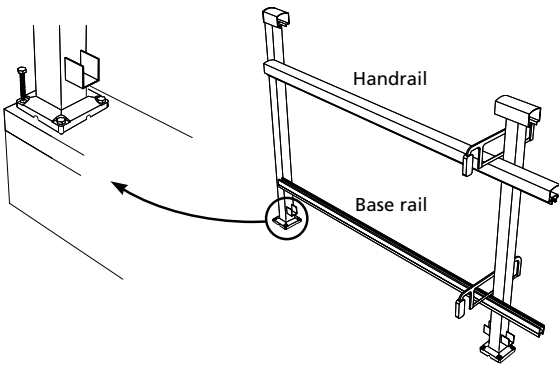
IMPORTANT

To ensure that the pickets remain engaged in the rails, you must install one or more base rail support(s) for each railing section. To install the base rail support, insert it into the bottom channel of the base rail (as shown in Step 1), slide it to the centre position and secure it to deck surface using fasteners.

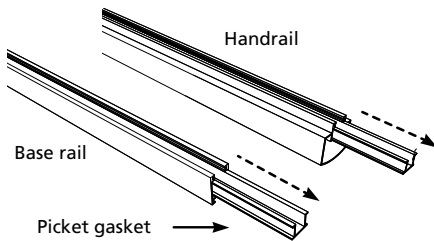
GLASS PANEL INSTALLATION (18" wide or greater)

⚠WARNING Always use two people to handle glass panels. Always lift a glass panel by its sides. Tempered glass is extremely fragile – do not bump the edges. Always use protective gear including eyewear and gloves when handling glass panels.

1 Measure and mark the position of all posts and space equally. Fasten the end post in place - ensure the post is plumb. Temporarily position the second post - do NOT secure it yet. Cut the hand and base rails to fit between the posts.

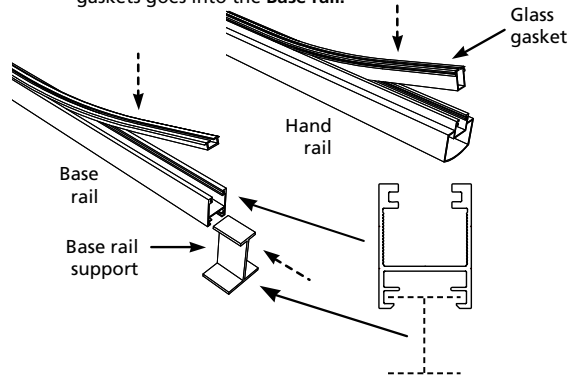


2 Remove the plastic picket gaskets from both rails.



3 Cut the glass gaskets the same length as the rails and drill 1/8" holes into the base rail glass gasket for water drainage. Press the glass gaskets into the rails and install the base rail support into the bottom channel of the base rail.

IMPORTANT: The smaller of the two glass gaskets goes into the Base rail.

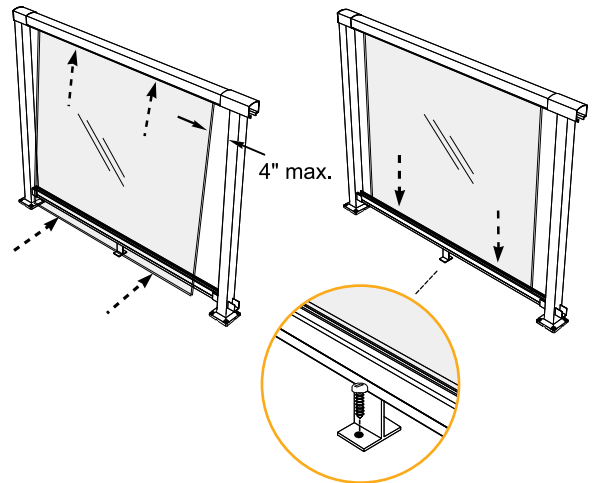


4 Insert the rails into the posts. Position and fasten the second post in place - ensure that the post is plumb. Secure the rails to the posts with self-drilling screws. (Refer to Step 4 on Page 5.)

IMPORTANT: Ensure that the glass gaskets and the top and bottom edges of the glass panel are well lubricated with liquid soap before installing the glass panel. Install the glass panel by inserting it into the handrail gasket then lowering it into the base rail gasket.

IMPORTANT: Ensure that the glass is fully seated in the gaskets. Wash away excess soap with clean water.

Repeat Steps 1-4 for each remaining section.



IMPORTANT

To ensure that the glass panel remains engaged in the rails, you must install one base rail support for each railing section.

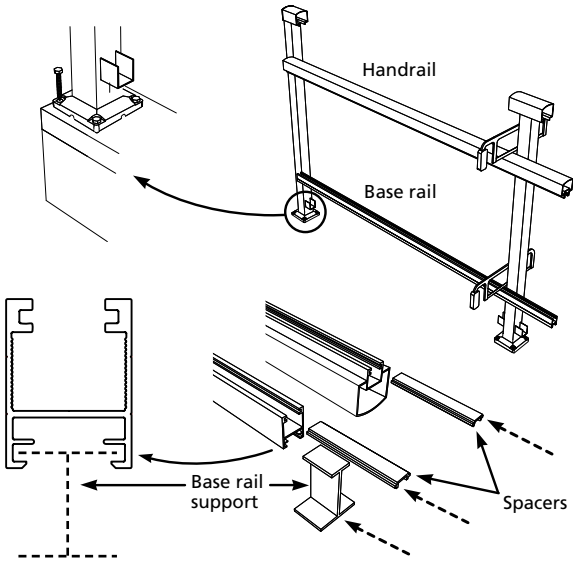
To install the base rail support, insert it into the bottom channel of the base rail (as shown in step 3), slide it to the centre position and secure it to deck surface using fasteners.

6" wide GLASS PANEL KIT INSTALLATION

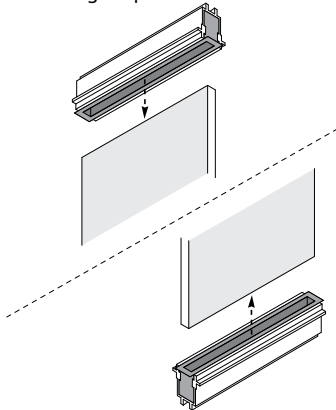
IMPORTANT NOTICE: This kit was designed to fit perfectly in a 6' railing section. If your railing is shorter than 6', you will need to cut the spacers or remove glass panel(s) accordingly. Distance between glass panels or glass panel and post must never exceed 4". The distance between a post and a glass panel must never exceed 4".

⚠WARNING Always lift a glass panel by its sides. Tempered glass is extremely fragile – do not bump the edges. Always use protective gear including eyewear and gloves when handling glass panels.

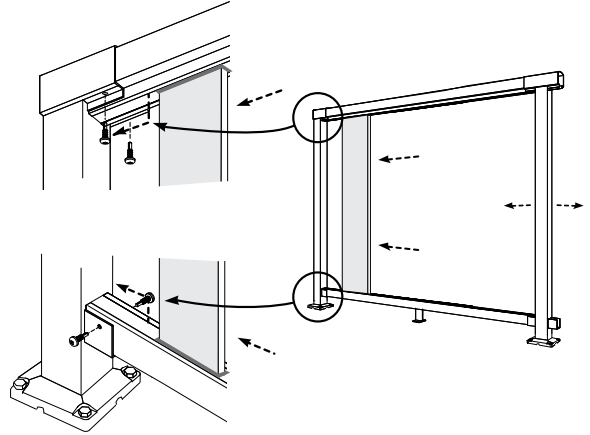
- 1** Measure and mark the position of all posts and space equally. Fasten the end post in place - ensure that the post is plumb. Temporarily position the second post - do NOT secure it yet. Cut the hand and base rails to fit between the posts. Install the base rail support into the bottom channel of the base rail. Insert a spacer into the handrail and another spacer into the base rail.



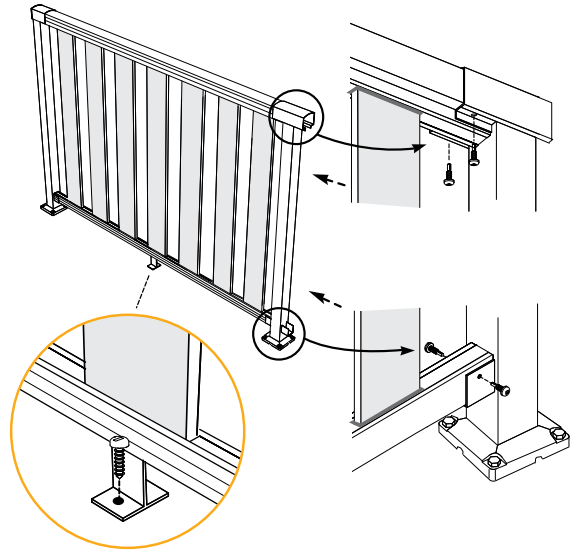
- 2** Attach the glass fittings to the top and bottom ends of each glass panel.



- 3** Insert the rails into the first post and secure these rails to this post with self-drilling screws. Use the second post as temporary support - do NOT secure the rails to the second post yet. Slide the spacer in each rail against the first post. Remove the temporary support post and slide a glass panel (with fittings attached) into the rails until touching the spacers. Slide the next pair of spacers into the hand and base rails. Repeat to complete the section.



- 4** Insert the rails into the second post. Position and fasten the second post in place - ensure that the post is plumb. Secure the rails to the second post with self-drilling screws. Repeat Steps 1-4 for each remaining section.



IMPORTANT

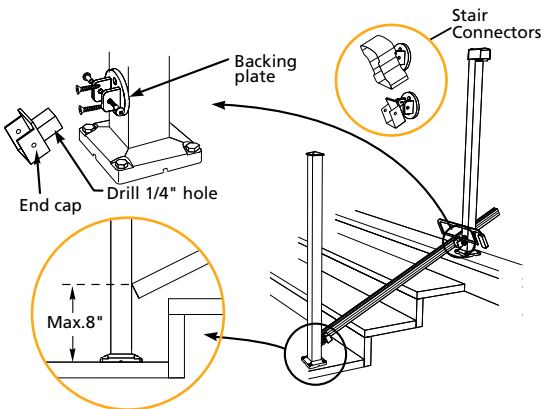
To ensure that the glass panels remain engaged in the rails, you must install one or more base rail support(s) for each railing section. To install the base rail support, insert it into the bottom channel of the base rail (as shown in Step 1), slide it to the centre position and secure it to deck surface using fasteners.

STAIR RAILING INSTALLATION

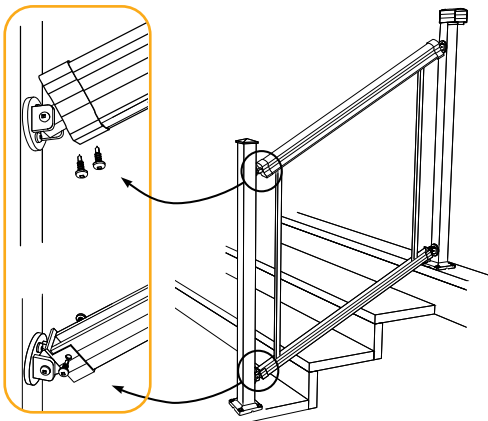
Follow all applicable building codes for stair post placement and heights of rails above nose of stair treads. **NOTE:** Stair pickets and spacers are different from **regular** pickets and spacers. For United States **stair** railing installations, **regular** hand and base rails are not International Code Council compliant for graspability. Always use **stair** hand and base rail set for stair applications.

1 Use Stair Connectors (SCs) at each post. Drill 1/4" holes through the end caps and secure to the backing plates with connector bolts. Position the base rail at the required height above the nose of stair treads. Position posts to meet base rail less than 8" above base. Fasten the top post to the deck - ensure that the post is plumb. Position and mark the location of the bottom post on landing or on the last stair tread - do NOT secure yet.

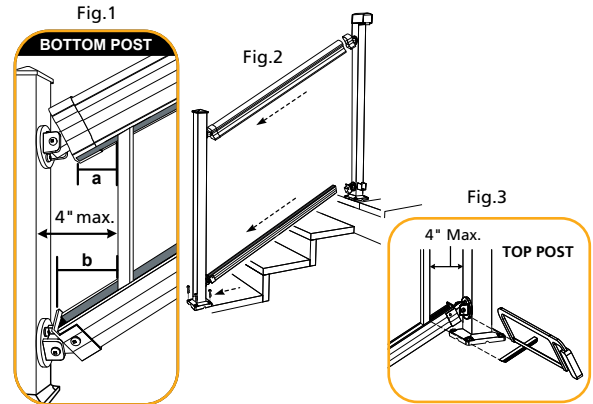
With the base rail still in position, place the SCs on the posts to align with the base rail. Remove the base rail and mark the locations of the SCs on the posts. Drill 7/32" pilot holes into the posts and use the flat head screws to attach bottom SCs to the posts. Measure and cut the base rail to fit between the end caps.



2 Cut the handrail to the same length as the base rail and fit the SCs onto the handrail. Use two **stair pickets** to position the handrail. Mark the locations of the SCs on the posts. Remove the handrail from position and the SCs from the handrail. Drill 7/32" pilot holes into the posts and use the flat head screws to attach the SCs to the posts. Temporarily move the bottom post to place the hand and base rails into the SCs. Secure the SCs to the rails at the bottom post only.

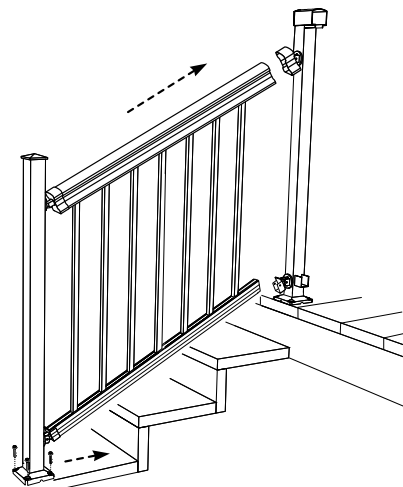


3 Place a picket into both rails near the bottom post - ensure that the picket is plumb and 4" or less from the post. Starting from the bottom post, measure and cut the **end spacers** then remove the picket (**Fig. 1**). **NOTE:** At the bottom post, end spacer "a" will be shorter than end spacer "b". Temporarily move the bottom post and rails away from the top post (**Fig. 2**). Install the end spacers followed by pickets and stair spacers (step 2 of Picket Railing Installation). Cut and install the last spacers flush with the ends of rails. The last picket must also be 4" or less from the top post (**Fig. 3**).



PRO TIP: To ensure equal spacing at each post, cut the first and last spacers in the hand and base rails to a length that ensures equal spacing between the end pickets and the posts.

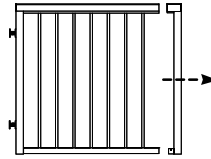
4 Place the bottom post back into position and ensure that the rails are fully inserted into the SCs at the top post. Secure the hand and base rails to the SCs at the top post as shown in step 2. Fasten the bottom post to the landing or last stair tread - ensure that the post is plumb.



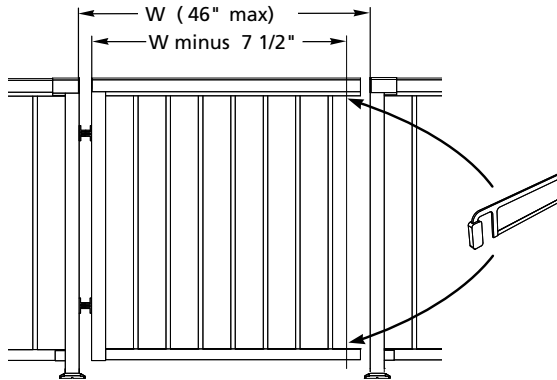
GATE INSTALLATION

- 1** Gate opening (W), must not exceed 46".
Remove the latch side of the gate (**Fig. 1**). Cut the top and bottom gate rails 7 1/2" shorter than the gate opening (**Fig. 2**). Align the top rail of the gate with the handrails. Drill 5/32" pilot holes into the post and lag bolt the gate to the post.

(Fig. 1)



(Fig. 2)



- 2** Use self-drilling screws for these steps:
- Secure the retainer to the gate frame at marked position.
 - Insert the latch **through the retainer** and secure to the gate frame at marked position.
 - Secure the latch side of the gate frame to the top and bottom gate rails.
 - Secure the latch plate.

