

The logo for Everbloom, featuring the brand name in a white, elegant cursive font with a registered trademark symbol (®) to the upper right, set against a dark grey rectangular background.

Two Tiers Raised Garden Bed

3' L x 6' W - 7" H & 14" H

Installation Guide

BEFORE YOU START

Please Read the instructions carefully to familiarize yourself with every detail and step involved. Keep this manual for future reference. Find a suitable space to assemble the Everbloom Garden Bed.

You need at least 37-3/4" x 79-1/2" (96 x 160cm) for the finished product. A flat and firm area (like a garage floor or flat yard space) is perfect! The only tool you may need is a rubber mallet.

IMPORTANT NOTES

Small parts are included; we advise you to keep them away from children and pets.

We also suggest having another person help you assemble.

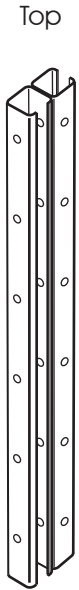
Load capacity: approximately 16 cu. ft. of soil



PARTS LIST

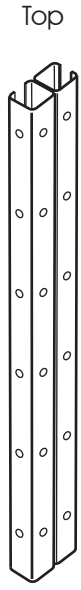
3' L x 6' W - 7" H & 14" H Two Tiers Raised Garden Bed

Left Corner Post
(360mm) X 1



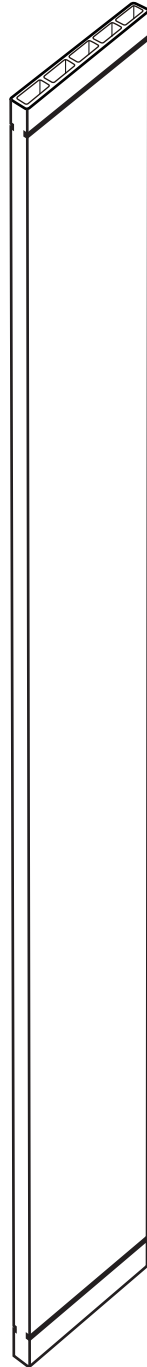
Bottom

Right Corner Post
(360mm) X 1



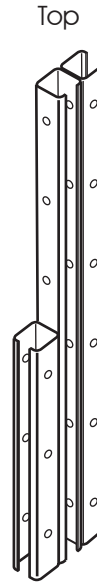
Bottom

Long Board
X 11



960mm

Left Joiner Corner
X 1



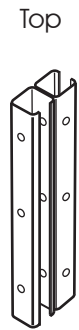
Bottom

Right Joiner Corner
X 1



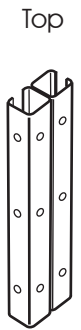
Bottom

Left Corner Post
(180mm) X 1



Bottom

Right Corner Post
(180mm) X 1



Bottom

Garden Bed Liner
X 2



Post Cap
X 16



ASSEMBLY

3' L x 6' W - 7" H & 14" H Two Tiers Raised Garden Bed

Start by making sure each corner post is oriented correctly. Reference image 1. Slide one long board into the corner posts from above.

Note: The long boards need to be placed in the inward "U" shape of the brackets. (Image 2).

Image 1

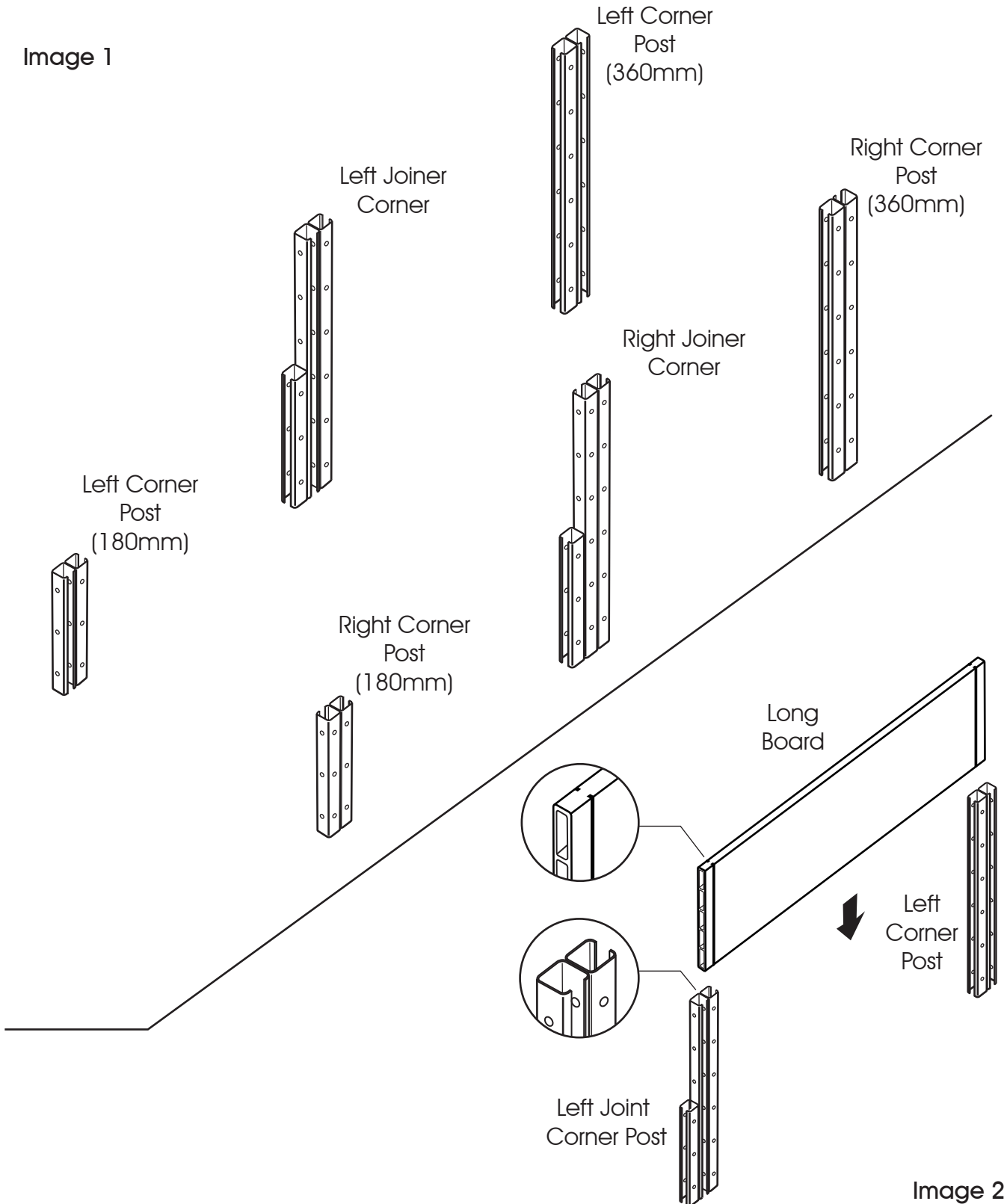


Image 2

ASSEMBLY

3' L x 6' W - 7" H & 14" H Two Tiers Raised Garden Bed

Slide the other six long boards into the corner posts from above, as shown in image 3.

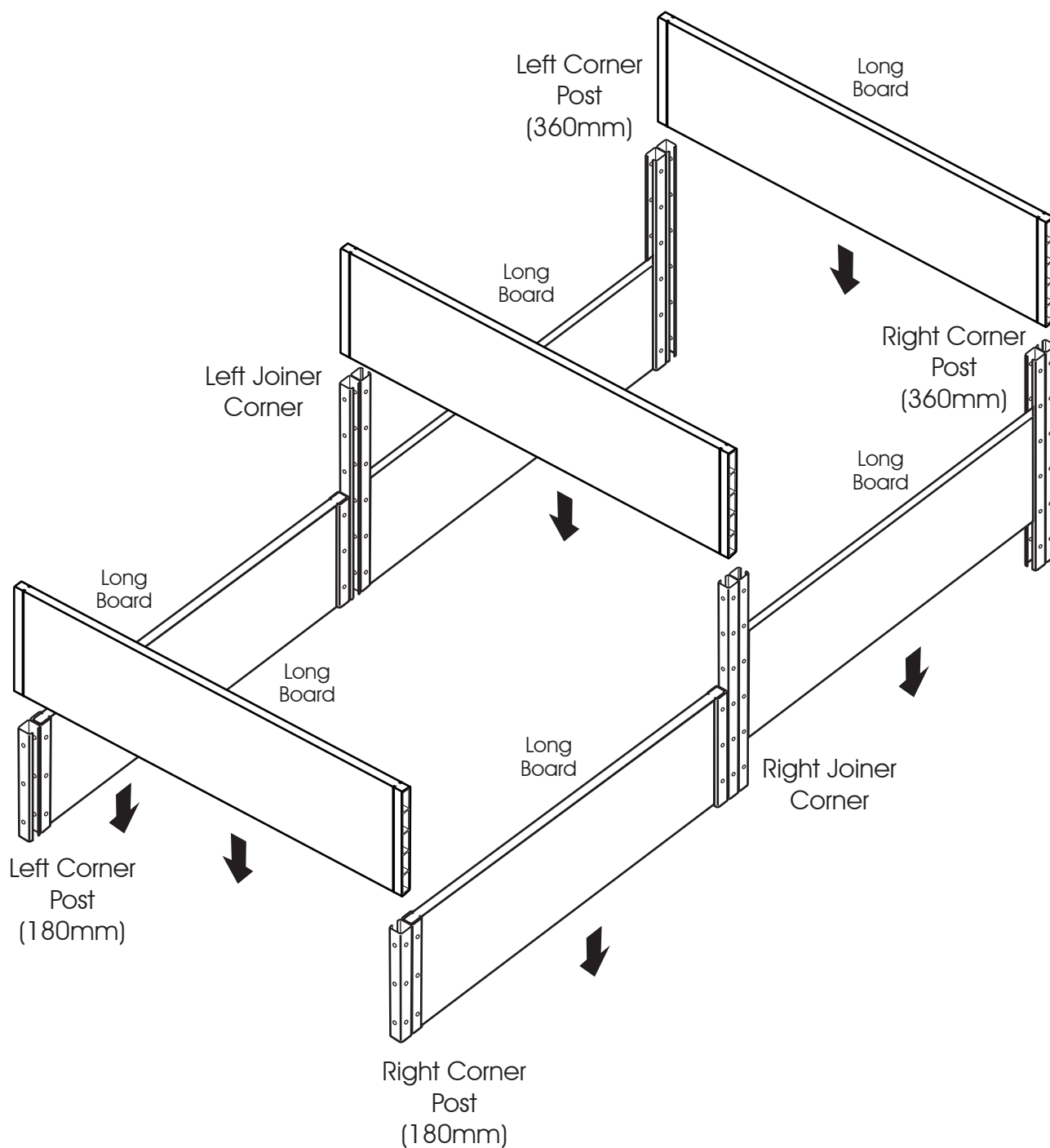
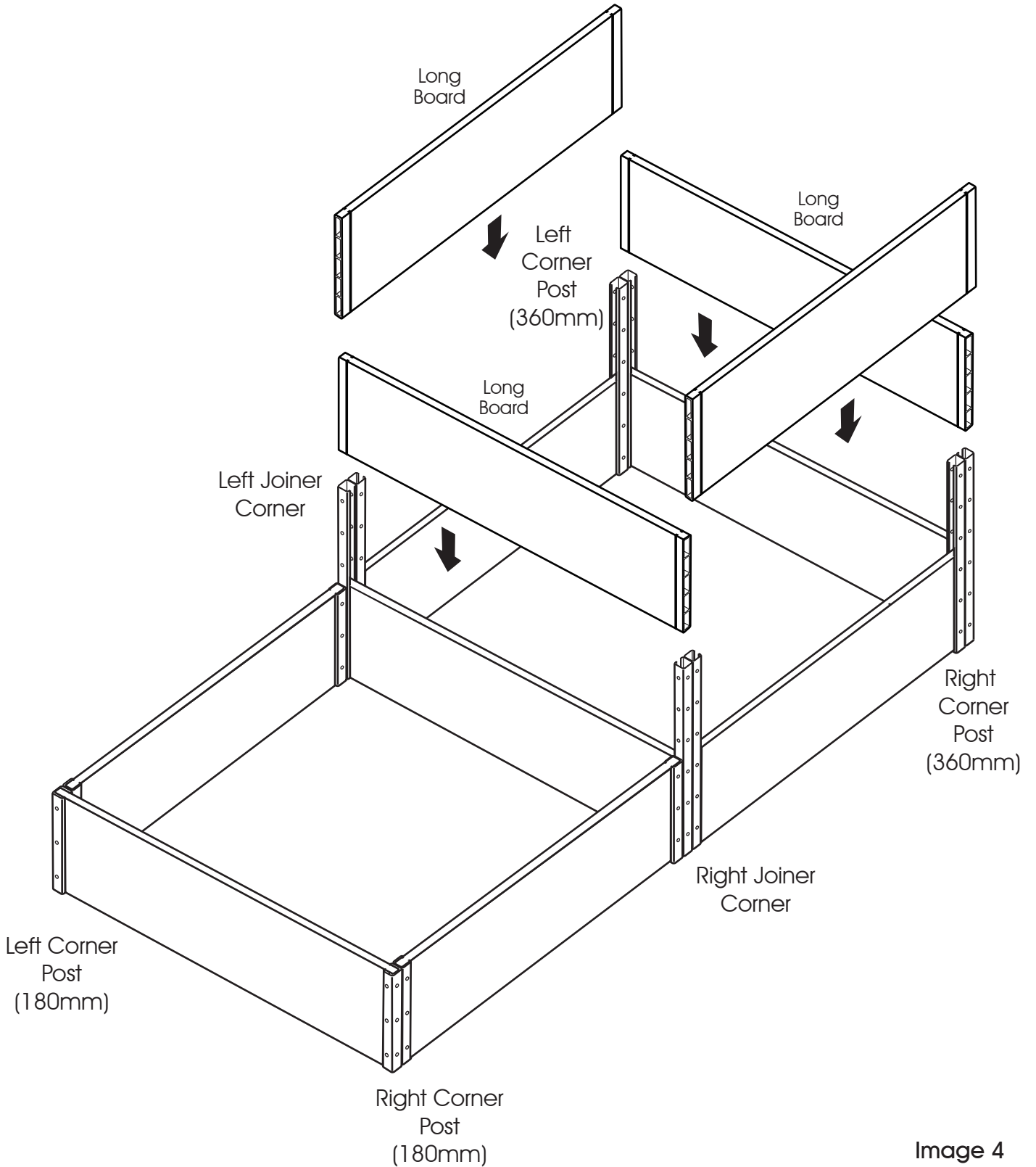


Image 3

ASSEMBLY

3' L x 6' W - 7" H & 14" H Two Tiers Raised Garden Bed

Slide the remaining four long boards in to for the second layer, as shown in image 4.



ASSEMBLY

3' L x 6' W - 7" H & 14" H Two Tiers Raised Garden Bed

If necessary, use your rubber mallet to ensure the boards are tightly in place. Cover the brackets with the 14 endcaps, as shown in image 5.

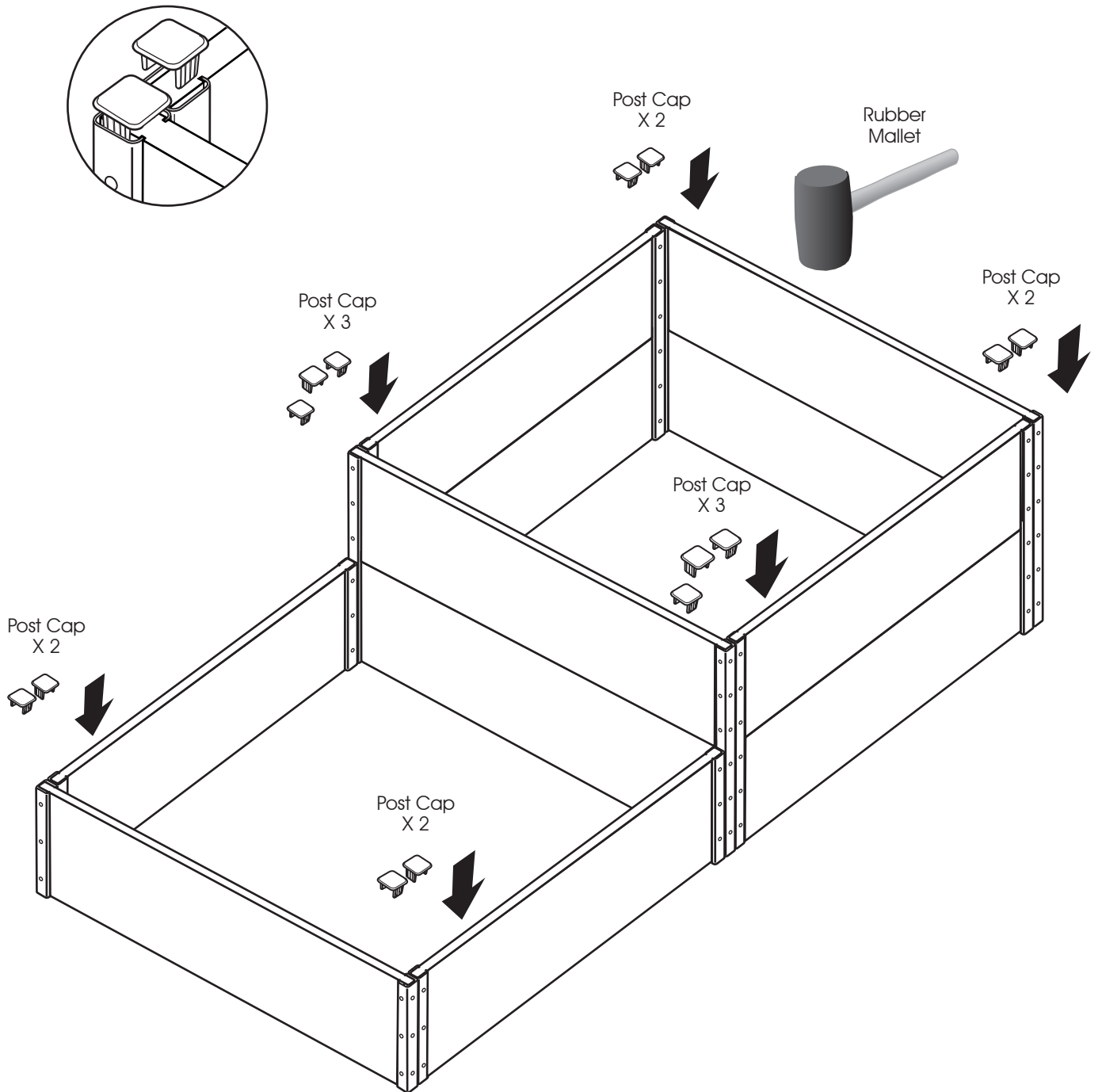


Image 5

ASSEMBLY

3' L x 6' W - 7" H & 14" H Two Tiers Raised Garden Bed

Unfold the liners and cover the bottom of the garden bed, as shown in Image 6 and Image 7.

Note: The liner is water-proof. You can use a needle to puncture the liner if you want water to fall through the bottom boards.

Image 6

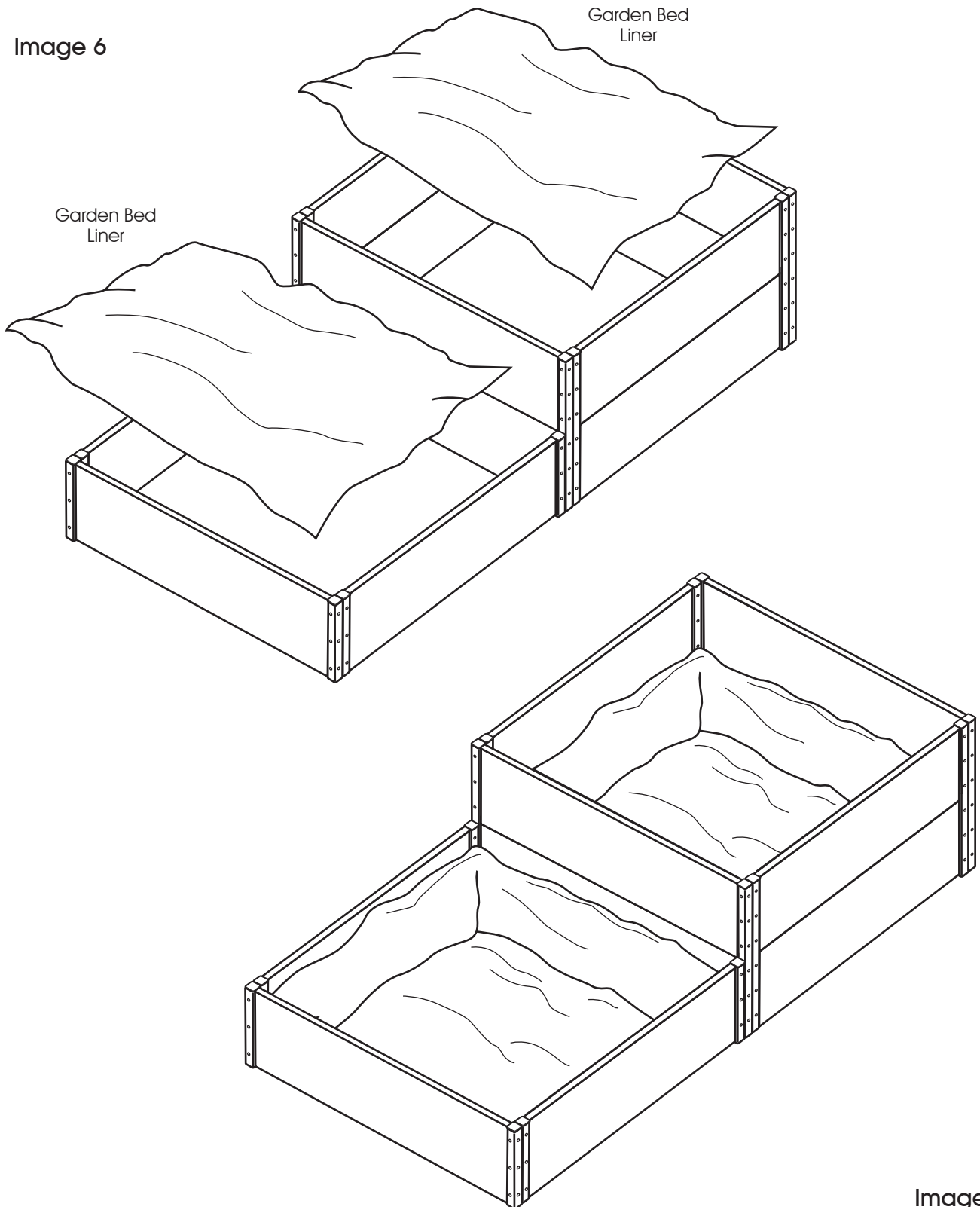


Image 7

Everbloom[®]

Questions or Comments?
Email us at service@everbloom-garden.com
Welcome to our website:
www.everbloom-garden.com



Distributed by:
Dynaforge Trading LLC
St. Paul, MN55101
Email: service@everbloom-garden.com