

# OVE INTELLIGENT TOILET

*Model 735H*

## INSTRUCTION MANUAL



Thank you for choosing OVE INTELLIGENT TOILET. Please read and understand this entire manual before attempting to assemble, operate or install this product.

**Installation Video**  
**[youtu.be/bpgPUJi1aQk](https://youtu.be/bpgPUJi1aQk)**

# CONTENT

|  |      |
|--|------|
| SAFETY NOTICE .....                            | p.3  |
| WARNINGS .....                                 | p.4  |
| PART LIST .....                                | p.6  |
| INSTALLATION INSTRUCTIONS .....                | p.7  |
| BATTERY INSTALLATION .....                     | p.9  |
| FIRST TIME USE .....                           | p.10 |
| CONTROLS DESCRIPTION .....                     | p.11 |
| FEATURES .....                                 | p.14 |
| INTELLIGENT FEATURES .....                     | p.15 |
| CHANGING THE FILTER .....                      | p.16 |
| LONG TERM STORAGE .....                        | p.17 |
| TROUBLESHOOTING .....                          | p.18 |
| MAINTENANCE & CONSUMER RESPONSIBILITIES .....  | p.19 |
| LIMITED 1 YEAR WARRANTY .....                  | p.19 |
| INFORMATION ABOUT YOUR WARRANTY COVERAGE ..... | p.19 |
| NOTES ON WARRANTY .....                        | p.19 |
| FOR WARRANTY SERVICE .....                     | p.19 |
| INSTALLATION PICTURE .....                     | p.20 |
| CONTACT US .....                               | p.21 |

# SAFETY NOTICE

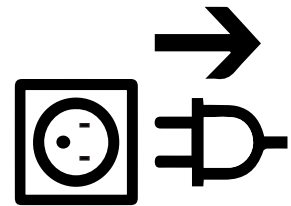
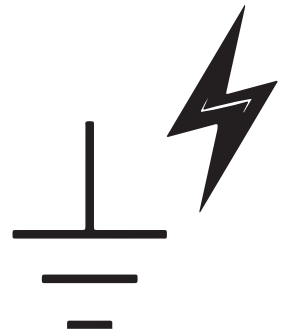
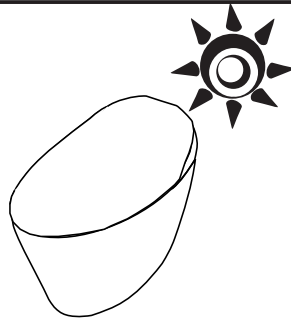


ATTENTION!  
BEFORE INSTALLING THE PRODUCT, YOU MUST READ AND UNDERSTAND CAREFULLY ALL BELOW WARNINGS.

1. It is forbidden to disassemble toilet by yourself.
2. Please do not set this product in a wet place, because it is an electronic product. If set in the bathroom, please insure that there is proper air flow.
3. Please insure that the product is set more than 0.6 meter away from the bathtub.
4. Please make sure electric power is AC 110V +/- 10%. Ensure the electrical socket can bare a load of 1500W power (or else it can cause fire or electrical shock).
5. Please make sure the electrical source is well grounded.
6. Please do not put any water or detergent on the product or its electrical plug.
7. Do not touch the electrical plug with a wet hand (or else it can cause fire or electric shock).
8. Do not use the product if it has these following problems. When any of the following problems occur, turn off the electricity and close the water valve.
  - Water leaking from the pipe or the main body.
  - Crack or breakage
  - Abnormal sound or smell of the product
  - Smoke coming out from the product
9. Keep any flame or flammable products away from the toilet.
10. Please do not step on the toilet seat, the seat cover, the main body, or put anything heavy on the product. Otherwise, the product may break and may cause injury or the product may break and may cause indoor flooding.
11. Please do not put your finger or anything else into the outlet of the drying blower.
12. Please do not touch or cover the drying blower outlet with clothes, or it may lead to burn injury or electric shock.
13. Please do not tightly bend or press the flexible supply hose, or it may lead to water leakage or it may decrease the water pressure.
14. Please clean the product with soft cleaning products.
15. Please do not use any harsh detergents to clean the product.
16. Please do not throw anything other than toilet paper into the toilet or it may lead to blockage and indoor flooding.
17. Please be careful to not let objects like a comb, toothbrush or other stuff fall into the toilet.

# WARNINGS

|  |   |
|--|---|
| <p>Do not leave the toilet exposed to the sun. May cause yellowing or color fading.</p> <p>Direct sunlight affects the good functioning of the remote.</p>               | <p>To prevent against power surge damages, make sure the ground is working in the power socket.</p>             |
| <p>Radio or transmitting devices may interfere with the toilet's remote control functions</p>  | <p>If you do not plan to use the toilet for a long time, close the inlet water valve and unplug the toilet.</p> |
| <p>If the power cut off during washing and the nozzle is still out: Do not push it back manually, it will revert to its resting position once the power is back ON.</p>  | <p>Do not use DC current. Only AC 110V with load capacity over 1500W are accepted.</p>                          |
| <p>If power cuts off during nozzle self-cleaning, the water will continue to flow out. Manually close the inlet water valve of the toilet until power comes back ON.</p> | <p>Do not expose the toilet to freezing temperature. This will void the warranty and damage the piping.</p>     |
| <p>Be careful not to spill water on the top of the toilet: Electronics are located under the plastic cover.</p>  | <p>Do not lean on the cover.</p>  |



# WARNINGS

## BATTERY USAGE SAFETY GUIDELINES

1. Always purchase the correct size and grade of battery most suitable for the intended use.
2. Clean the battery contacts and also those of the device prior to battery installation.
3. Remove batteries from equipment which is not to be used for an extended period of time.
4. Remove batteries if consumed or if product is to be left unused for a long time.
5. Do not mix old and new batteries.
6. Do not mix alkaline, standard (carbon-zinc), or rechargeable (ni-cad, ni-mh, etc) batteries.
7. Do not dispose of old batteries in the trash! Please dispose of your used batteries at your local collection center.

## FCC WARNING

Warning: Changes or modifications to this unit not expressly approved by the party responsible for compliance could void the user's authority to operate the equipment.

NOTE: This equipment has been tested and found to comply with the limits for a Class B digital device, pursuant to Part 15 of the FCC Rules. These limits are designed to provide reasonable protection against harmful interference in a residential installation. This equipment generates, uses and can radiate radio frequency energy and, if not installed and used in accordance with the instructions, may cause harmful interference to radio communications.

However, there is no guarantee that interference will not occur in a particular installation. If this equipment does cause harmful interference to radio or television reception, which can be determined by turning the equipment off and on, the user is encouraged to try to correct the interference by one or more of the following measures:

- Reorient or relocate the receiving antenna.
- Increase the separation between the equipment and receiver.
- Connect the equipment into an outlet on a circuit different from that to which the receiver is connected.
- Consult the dealer or an experienced radio/TV technician for help.

## EXTENSION CORD WARNING

- a) The short power-supply cord is provided to reduce the risk resulting from becoming entangled in or tripping over a long cord.
- b) Extension cords are available and may be used if care is exercised in their use.
- c) If an extension cord is used:
  - 1) The marked electrical rating of the detachable power-supply cord or extension cord should be at as great as the electrical rating of the appliance.
  - 2) If the appliance is of the grounded type, the extension cord should be a grounding type 3-wire cord.

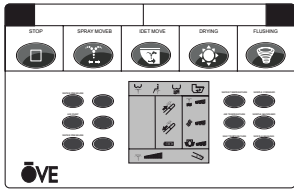
## FILTER WARNING

The physiological effect of the operation of this appliance, beneficial, or otherwise, have not been investigated by CSA.

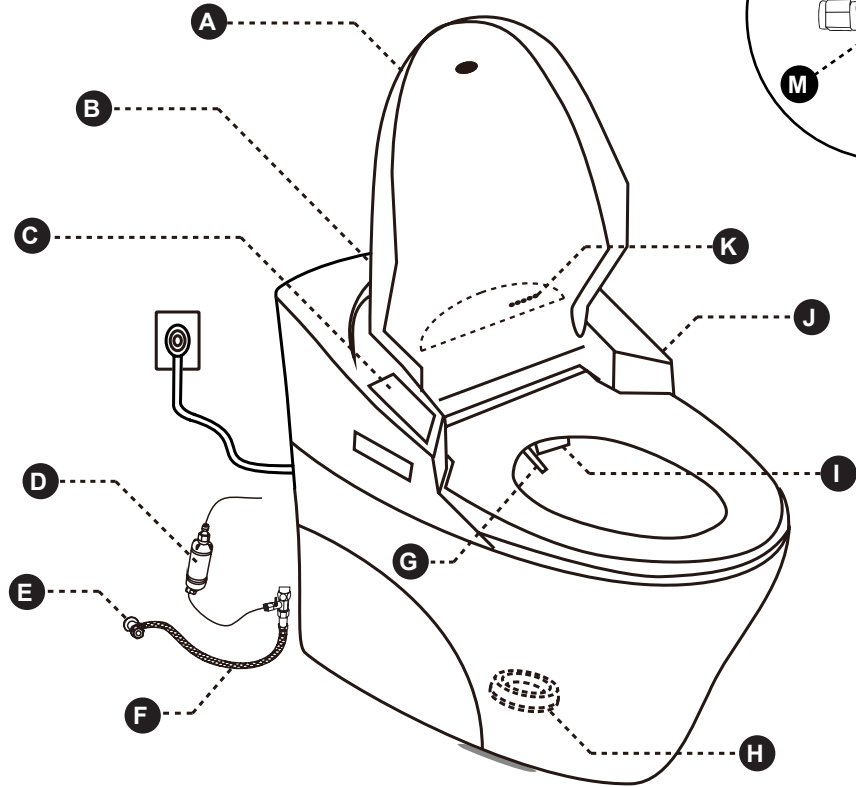
## POWER SUPPLY:

120V / 1300W / 60Hz

# PART LIST



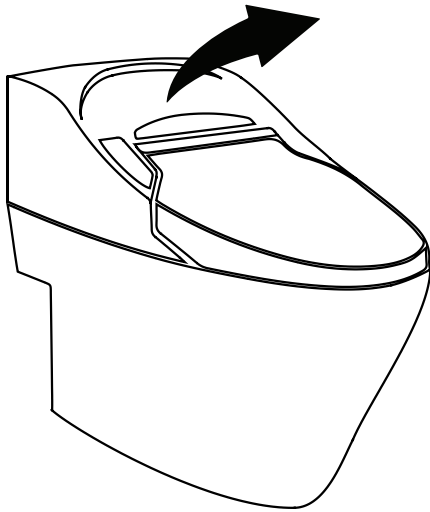
L



|   | Item   | Qty | #  |
|---|--|-----|--|
| A | Seat   | 1   | 99TOI0014-OU                                 |
| B | Electronic hardware  | 1   | 99TOI0039-OU                                 |
| C | Control keypad (English & French)<br>Control keypad (English & Spanish)                              | 1   | 99TOI0040-OU<br>99TOI0046-OU                 |
| D | Water filter   | 1   | 99TOI0015-OU                                 |
| E | Inlet valve  | 1   | NOT SUPPLIED                                 |
| F | Supply line  | 1   | 99TOI0041-OU                                 |
| G | Nozzle   | 1   | --   |
| H | Seal ring  | 1   | 99TOI0043-OU                                 |
| I | Drying air outlet  | 1   | --   |
| J | Flush button   | 1   | --   |
| K | Light indicator panel (English)<br>Light indicator panel (French)<br>Light indicator panel (Spanish) | 1   | 99TOI0013-OU<br>99TOI0012-OU<br>99TOI0046-OU |
| L | Remote   | 1   | 99TOI0011-OU                                 |
| M | Ball valve   | 1   | 99TOI0010-OU                                 |
| N | Check valve  | 1   |  |

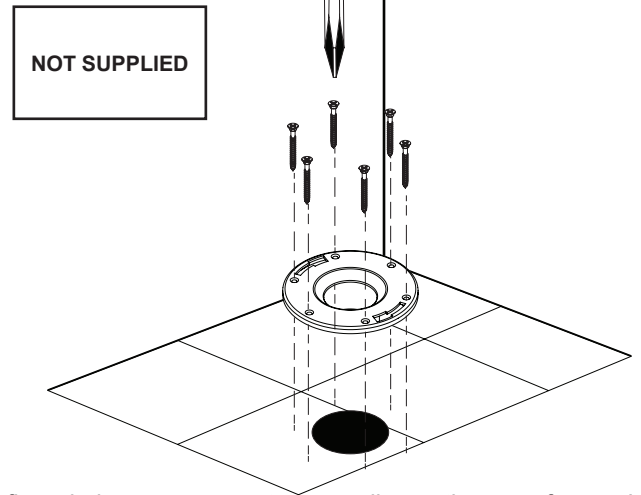
# INSTALLATION INSTRUCTIONS

1



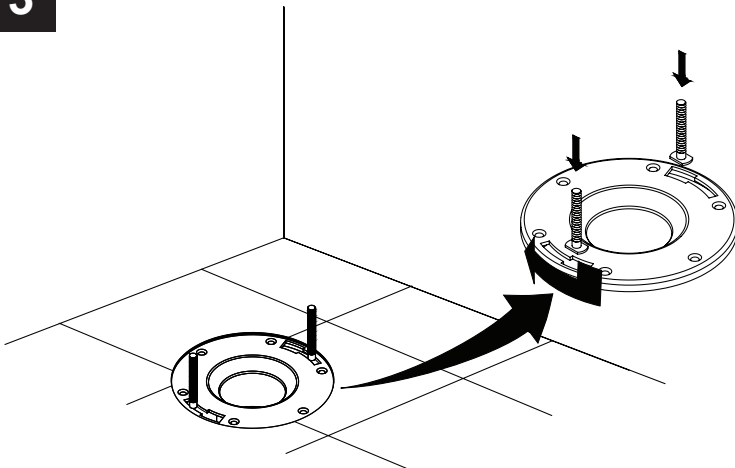
Remove the seat from the ceramic base. Simply pull the seat up gently. Be careful.

2



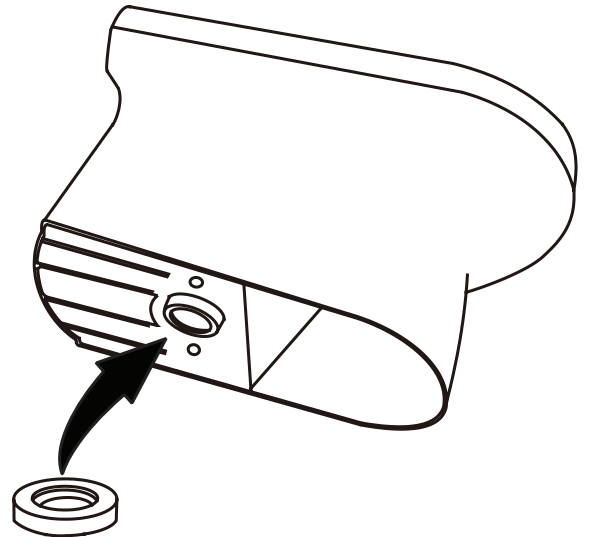
Install the floor drain cover connector according to the manufacturer's recommendations.

3



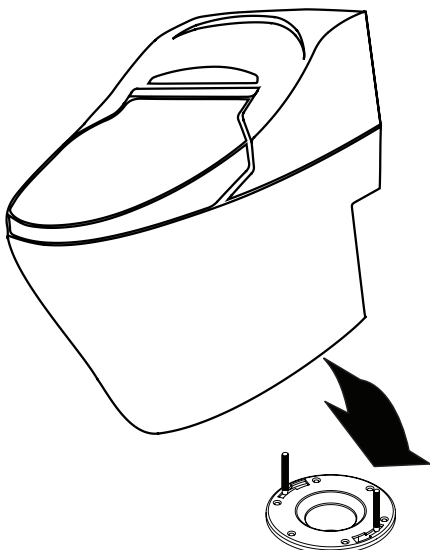
Position correctly the two fixing bolts of the floor drain. Follow manufacturer's recommendations.

4



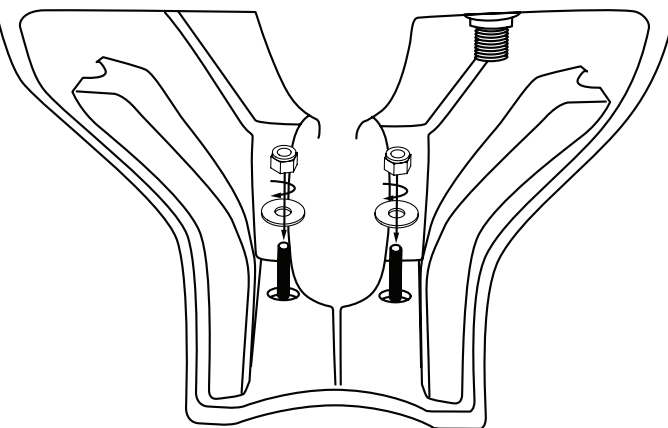
Insert the ring gasket under the toilet.

5



Position the toilet on the floor drain, making sure the fixing bolts are aligned with the toilet's holes.

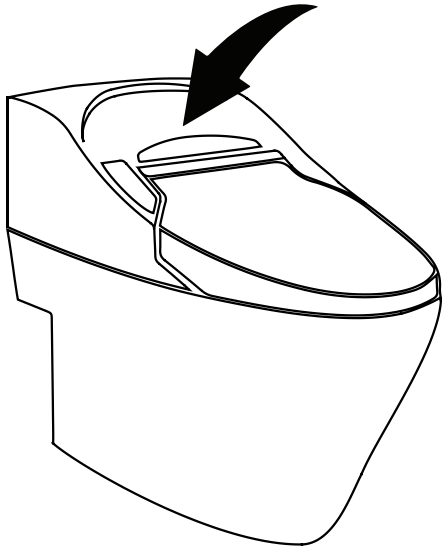
6



Using a ratchet, reach behind the toilet and tightly screw the nut to the fixing bolts.

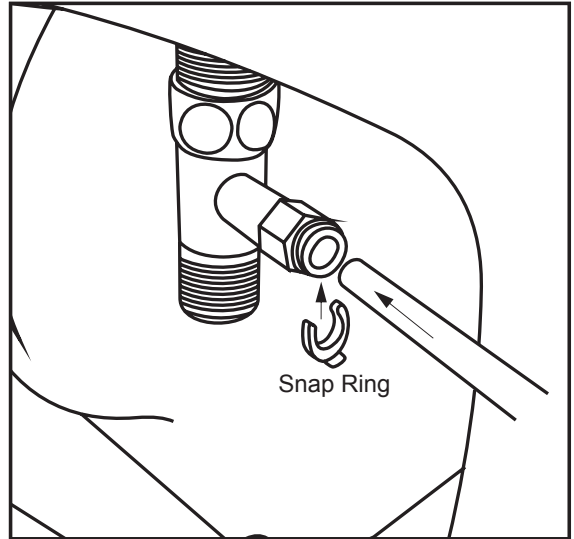
# INSTALLATION INSTRUCTIONS

7



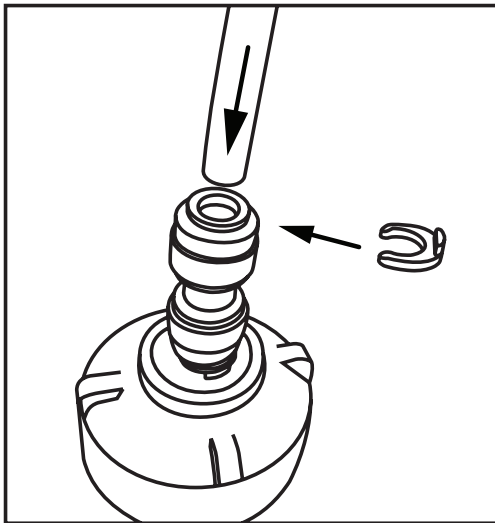
With care, re-install the seat on the ceramic base.

8



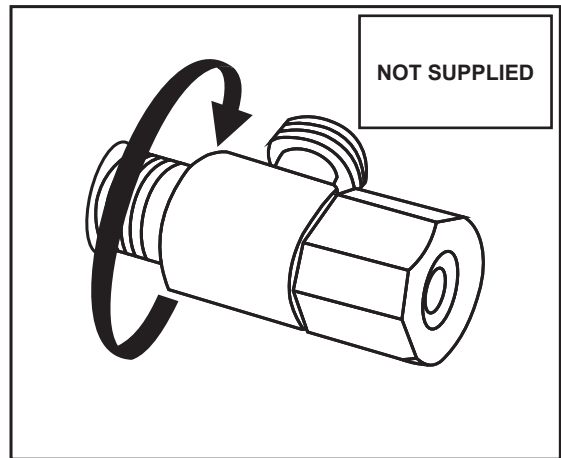
Pull-out the snap ring from the connector. Connect the filter's flex-tube to the toilet's water outlet and re-insert the snap ring.

9



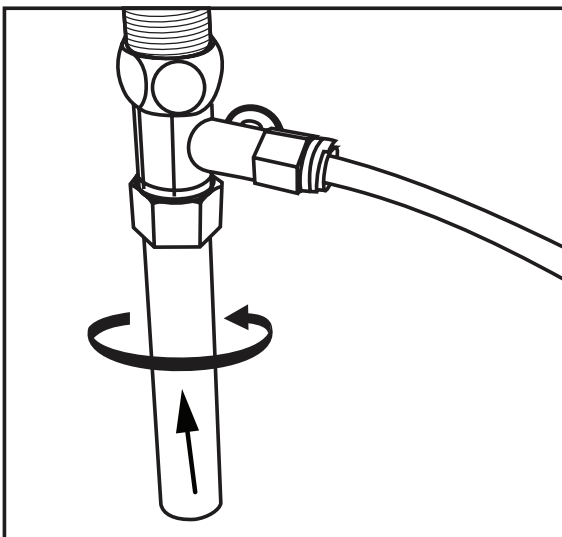
Pull out the snap ring from the connector. Connect the filter's flex-tube to the filter's water inlet and re-insert the snap ring.

10



Install the water inlet valve on the wall pipe.

11

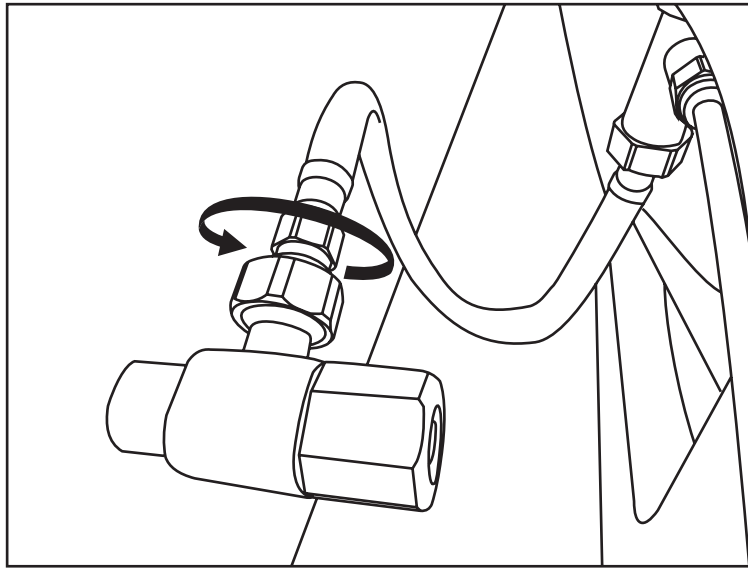


Connect the supply line to the water inlet of the toilet.



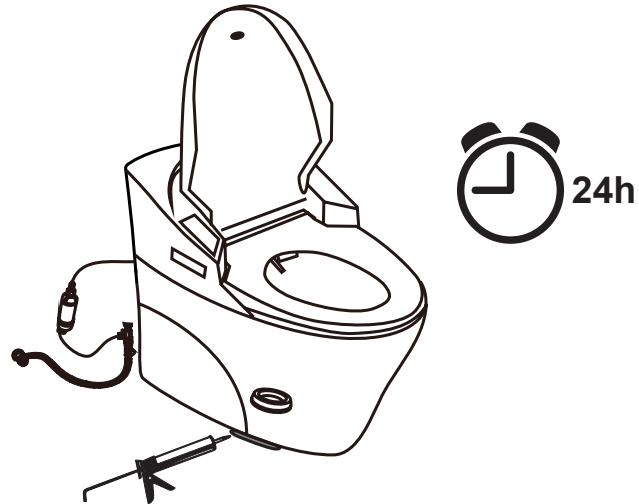
# INSTALLATION INSTRUCTIONS

12



Connect the supply line to the water inlet valve.

13



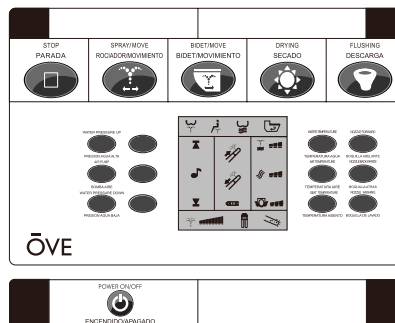
Apply silicone around the base of the toilet.  
Wait for 24h for it to dry.

# BATTERY INSTALLATION

14



2x 1.5V AA Battery  
(NOT INCLUDED)



Load the remote with two AA batteries. The battery compartment is located at the bottom back of the remote and is opened by firmly sliding the cover downward.

# FIRST TIME USE

**1** Open the water supply inlet valve.

**2** Plug the toilet in the power socket.

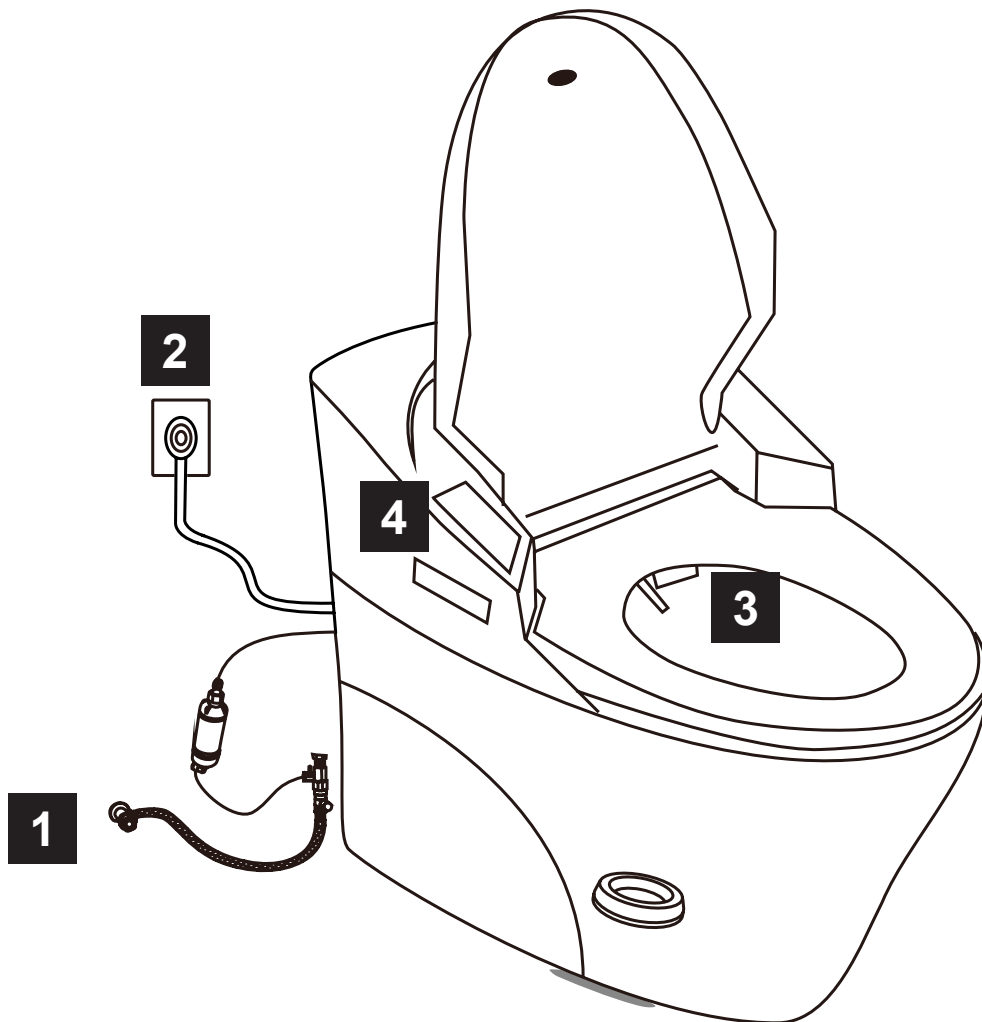
**3** The toilet's blue light will start blinking.  
The blinking light indicates that the wash tank is filling with water, a sensor in the toilet will stop the filling process automatically after around 3 minutes when the tank is full of water.  
After the wash tank is filled with water, the indicator light will stop blinking.

**4** The toilet will turn ON automatically. Once the beeping sounds and the flashing light have stopped, the toilet is ready for use.

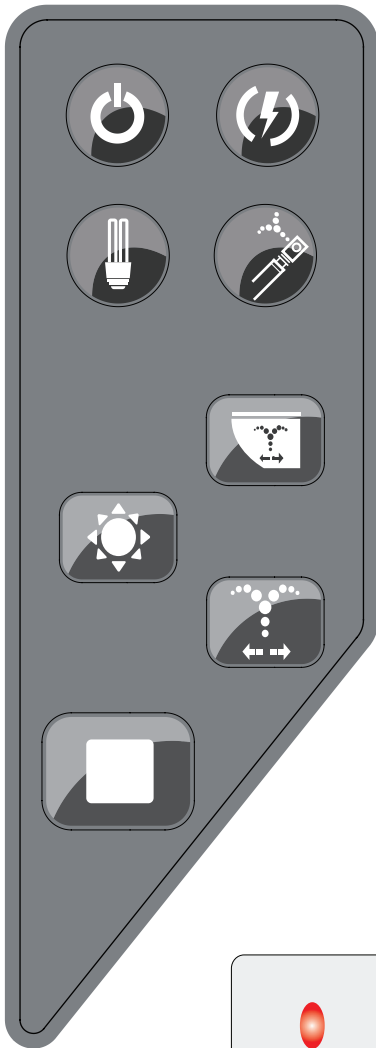


Notice:

- Warming up the toilet seat will take about 3 minutes.
- Warming up the bidet cleaning water will take about 3 min.
- Leave the power continuously ON to assure all functions are ready for anytime use.
- If the toilet is not used for 24h, it will enter in ENERGY SAVER mode.



# CONTROLS DESCRIPTION



## POWER:

Press 1 time, it will turn the toilet ON.  
Press 2 times, it will turn the toilet OFF.



## ENERGY SAVER:

When ON, the energy saving mode will decrease the electrical usage of the smart toilet when in stand-by. The seat will not be continuously pre-heated.



## LIGHT:

Press the light key, the shimmer on the intelligent toilet lights up; press it again, the light turns off.



## NOZZLE WASHING:

Press the nozzle washing key: the intelligent toilet pulls the Spray nozzle out. Press it again, it pulls out the Bidet nozzle; press it once more, the nozzles revert back and wash themselves. Use this function to manually wash the nozzles.



## DRYING:

Pressing this button will initiate the warm air drying.



## BIDET/MOVE:

Pressing this button will initiate the Static Bidet Cleaning function. Press it again to change to the Back-&Forth Bidet Cleaning function.

*\*The Bidet refers the 5 water jets function of the nozzle.*



## STOP:

Pressing this button will stop any ongoing function.

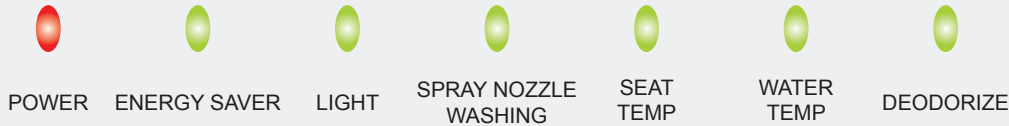


## SPRAY/MOVE:

Pressing this button will initiate the Static Spray Cleaning function. Press it again to change to the Back-&Forth Spray Cleaning function.

*\*The SPRAY refers the 1 water jet function of the nozzle.*

## LIGHT INDICATOR PANEL



### POWER indicator:

The light will turn RED when the toilet is powered ON.  
The light will turn off when the toilet is powered OFF.

### ENERGY SAVER indicator:

The light will turn YELLOW when the energy saving is active.  
The light will turn off when the energy saving is not active.

### LIGHT indicator:

The light will turn GREEN when the toilet bowl's light is active.  
The light will turn off when the toilet bowl's light is not active.

### SPRAY NOZZLE WASHING indicator:

The light will turn green when the nozzle washing is active.  
The light will turn off when the nozzle washing is not active.

### SEAT TEMP indicator:

If the seat is currently heating up, the light will turn GREEN. When the seat has reach its set temperature, the light turns OFF.

4 possible settings:

- OFF (Room temperature)
- LOW
- MEDIUM
- HIGH

### WATER TEMP indicator:

If the water is currently heating up, the light will turn GREEN. When the water has reach its set temperature, the light turns OFF.

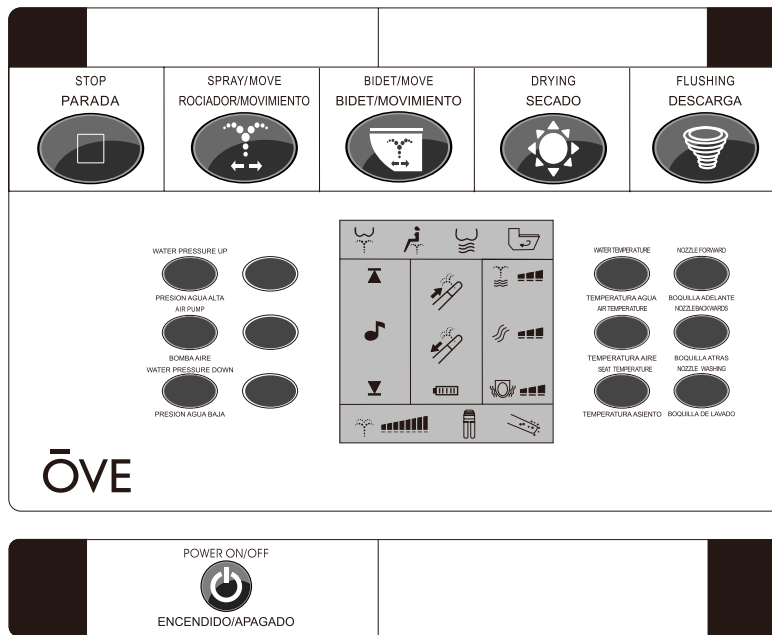
4 possible settings:

- OFF (Room temperature)
- LOW
- MEDIUM
- HIGH

### DEODORIZE indicator:

The light will turn GREEN when the anti-odor filter is active.  
The light will turn off when the anti-odor filter is not active.

# CONTROLS DESCRIPTION



**STOP:**  
Pressing this button will stop any ongoing function.



**SPRAY/MOVE:**  
Pressing this button will initiate the Static Spray Cleaning function. Press it again to change to the Back-&-Forth Spray Cleaning function.  
*\*The SPRAY refers the 1 water jet function of the nozzle.*



**BIDET/MOVE:**  
Pressing this button will initiate the Static Bidet Cleaning function. Press it again to change to the Back-&-Forth Bidet Cleaning function.  
*\*The Bidet refers the 5 water jets function of the nozzle.*



**DRYING:**  
Pressing this button will initiate the warm air drying.



**FLUSH:**  
Pressing this button will flush the toilet.



**WATER PRESSURE UP:**  
Pressing this button during the Static or the Back-&-Forth Spray or Bidet cleaning will increase the water jet pressure.  
*8 settings: 8 increments from low to high.*



**AIR PUMP:**  
Pressing this button initiate the air pumps which will boost the water pressure even more than the maximum attainable setting by the WATER PRESSURE UP button.



**WATER PRESSURE DOWN:**  
Pressing this button during the Static or the Back-&-Forth Spray or Bidet cleaning will decrease the water jet pressure.  
*8 settings: 8 increments from high to low.*



**WATER TEMPERATURE:**  
Pressing this button will cycle through the 4 possible temperatures settings for the Spray/Bidet cleaning water jets.  
*4 settings: OFF (Room temperature) / LOW / MEDIUM / HIGH*

# CONTROLS DESCRIPTION



**AIR TEMP:**  
Pressing this button will cycle through the 4 possible temperatures settings for the air drying function.  
4 settings: OFF (Room temperature) / LOW / MEDIUM / HIGH



**SEAT TEMPERATURE:**  
Pressing on this button will cycle through the 4 possible temperatures settings for the seat heating.  
4 settings: OFF (Room temperature) / LOW / MEDIUM / HIGH

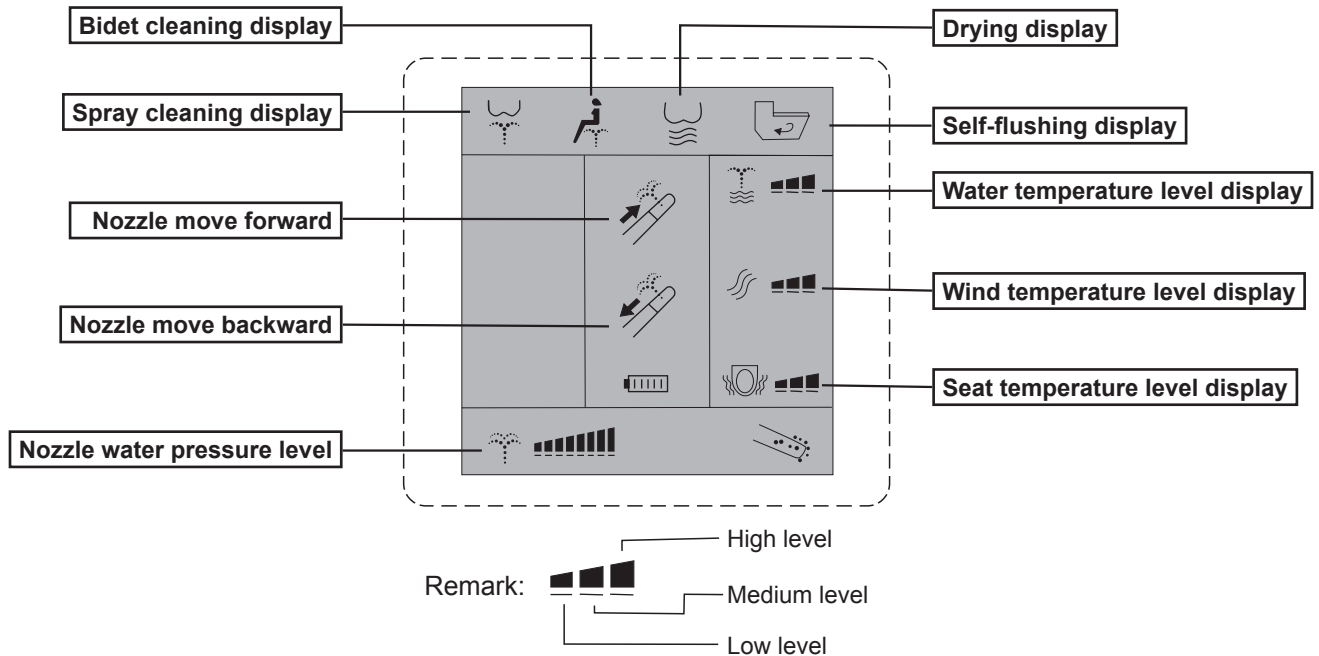


**NOZZLE FORWARD:**  
Pressing this button during the Static Spray or Bidet cleaning will move the nozzle forward.  
6 settings: 6 increments from back to front.



**NOZZLE BACKWARD:**  
Pressing this button during the Static Spray or Bidet cleaning will move the nozzle backward.  
6 settings: 6 increments from front to back.

• All the settings from last usage are kept in memory for the next use. The remote control display will turn off automatically. To wake it up, press any button 1 time.



## BEEPING SOUNDS DIRECTIONS

**1X BEEP** = The toilet will give out one beeping sound every time it successfully receives a command from the Remote Control.

**2x BEEP** = The toilet will give out two beeping sounds every time it has successfully received a command, but cannot execute it. For example, if the Seat Sensor is not active and the user presses the BIDET/MOVE button, the toilet will beep two times because the bidet function cannot be active if the Seat Sensor is not active.

# FEATURES



## SPRAY CLEANING (1 WATER JET)

This function will only work if the user is sitting on the toilet. Press the SPRAY/MOVE button for spray cleaning. Water will spray and clean the user. Press the button again and the nozzle will move back & forth to insure the cleanest result. You can use this key stroke to get the best cleaning effect.



## BIDET CLEANING (5 JETS OF WATER)

This function will only work if the user is sitting on the toilet. Press the BIDET/MOVE button for bidet cleaning. Water will spray and clean the user. Press the button again and the nozzle will move back & forth to insure the cleanest result. You can use this key stroke to get the best cleaning effect.

If you are not seated on the toilet seat, the toilet seat sensors will prevent water from squirting out of the nozzle or warm air from flowing out of the dryer.



The nozzle washes itself before and after every use with the programmed automatic nozzle washing cycle.

The spray function will automatically stop after 2 minutes of continuous use. To start it again press the button.

It will take about 10 seconds after pressing the BIDET/MOVE or SPRAY/MOVE button before water starts to spray out of the nozzle. Please be patient.

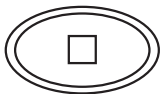


## AIR DRYING

This function will only work if the user is sitting on the toilet. Press the DRYING button for air drying. The air will drying the user. Press the button again and the air nozzle will move back & forth to insure driest result. You can use this key stroke to get the best drying effect.



If you press the DRYING key while the toilet is flushing, you will need to wait about 10 seconds before warm wind starts to flow out of the dryer.



## STOP

Pressing the STOP button at any time will automatically stop any functions.

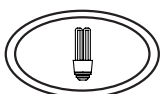


The toilet will keep spraying for 1-2 seconds after you stand up, so be sure to press the STOP button before standing up from the toilet seat, during the cleaning process.



## FLUSHING

Press FLUSHING button before using intelligent toilet will clean the bowl with water automatically.



## LIGHT

Pressing the LIGHT button on the remote control board will turn ON the toilet's light, pressing the button again will turn it OFF.

# INTELLIGENT FEATURES

## ENERGY SAVER

ENERGY SAVER will cut down the electricity usage of your intelligent toilet during times of none-usage. The cleaning water tank will start heating the water only once the user is sitting on the toilet, whereas in normal mode, the cleaning water is kept to your preferences for your instant enjoyment.



## SOFT CLOSE DESIGN

The toilet seat and seat cover have a soundless soft close design that prevents them from falling rapidly and denting or scratching the toilet.



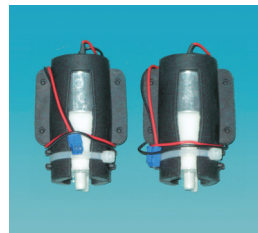
## ANTI-MICROBIAL SEAT

The toilet's seat is coated with an eco-friendly anti-microbial polymer preventing the growth of any microbe on the seat. Clean by design, for your piece of mind.



## AIR PUMP SUPERCHARGED

Press the AIR PUMP button on the remote control to activate a supercharged water pressure pump. This function will temporarily increase the water pressure for maximum cleanness.



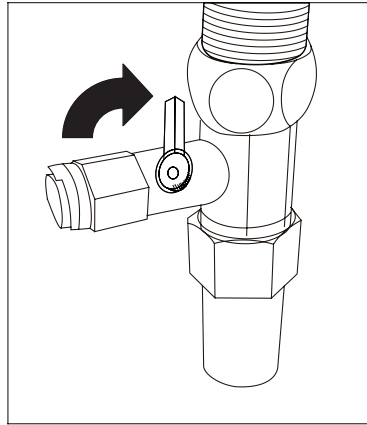
## AUTOMATIC ODOR FILTER

As soon as the user sits on the toilet, a fan sucks the air out of the toilet bowl and through an advance odor fighting carbon filter. This prevents the bad smells during the toilet's usage, insuring a pleasant experience.

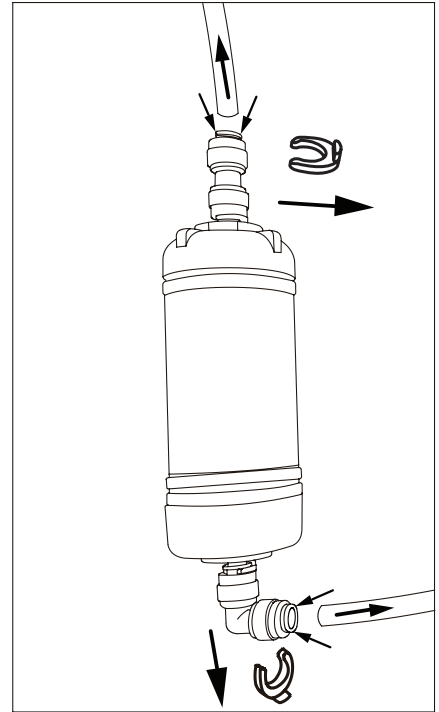


# CHANGING THE FILTER

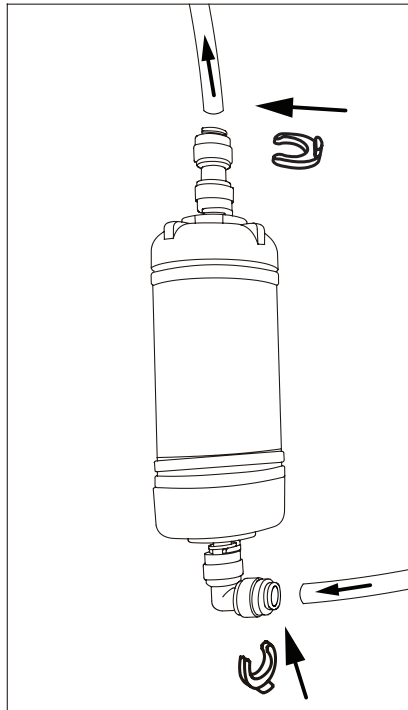
- 1** Close the inlet valve, turn clockwise.  
Do not take out the filter before closing the inlet valve.



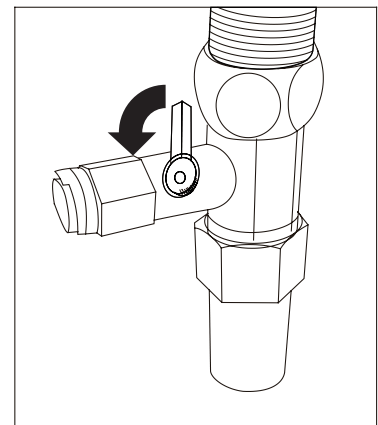
- 2** Pull-out the snap ring, pull the flex-tube out of the filter by pushing the plastic ring at the junction.



- 3** Install a new filter with the flex-tube.



- 4** Open the inlet valve counterclockwise.  
Make sure the water does not leak out.



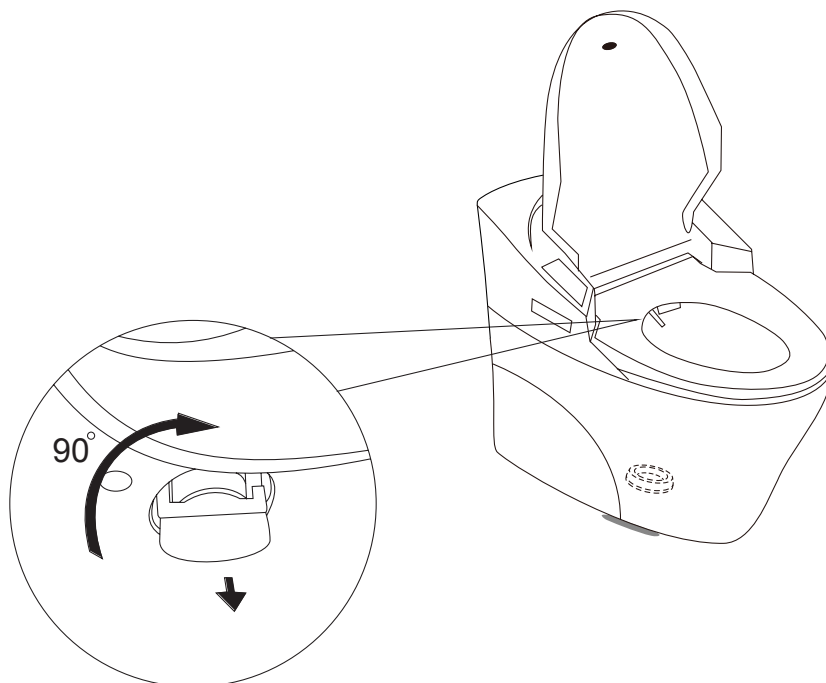
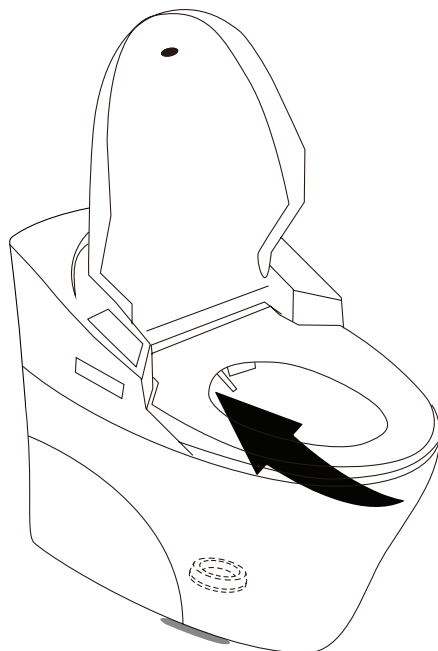


# LONG TERM STORAGE

In order to prevent from any damages that may be caused from frozen toilet water, please drain away the remaining water according to the following methods.

When leaving for a long time without using this toilet, please make sure to drain all the water from the toilet.

1. Close water inlet valve.
2. Unfasten and remove the water drain bolt.
3. After draining all the water, please tightly screw the water drain bolt back into place.
4. Make sure to drain all water from the toilet, including the water in the tank for the bidet/spray cleaning, also any water left in the seals or grooves, dry with towel.



# TROUBLESHOOTING

| Category   | Issue  | Root Cause   | Solution  |   |
|--|--|--|---|---|
| <b>Startup</b>   | Toilet does not turn ON  | Main power cord is not plugged in.   | Plug the main power cord.   |   |
|  |  | Power socket does not work.  | Make sure power socket is working.  |   |
|  |  | Power socket GFCI has been triggered and needs to be resetted.   | Reset the GFCI.   |   |
|  |  | Seat cover electrical plug is not connected.   | Connect the seat electrical plug at the back of the toilet.   |   |
|  |  | Electronic fault.  | Unplug the main power cord for 5 minutes, and then plug it again.   |   |
|  | Toilet blue light flashing.  | Bidet water tank is not yet full.  | Wait 3 minutes, the bidet tank will fill-up and the flashing blue light will stop.  |   |
|  |  | Water inlet valves are closed,. No water is getting into the bidet tank.   | Open both the water inlet valve on the wall, and that the ball valve at the back of the toilet.   |   |
| Water filter is clogged. Water is not getting to the bidet tank.                       |  | Clean the water filter.  |   |   |
| Bidet water tank drainage plug is loose, and bidet tank is emptying.                   |  | Close the bidet drainage plug and wait until the bidet tank fills up with water.   |   |   |
| <b>Remote</b>  | Remote not working   | There are no batteries in the remote.  | Batteries are not supplied. Please insert you own batteries.  |   |
|  |  | Remote batteries are not working.  | Replace the remote batteries.   |   |
|  | Toilet is not responding.  | Toilet does not respond to any remote commands.  | BEEPING SOUNDS DIRECTIONS<br>1X BEEP = The toilet will give out one beeping sound every time it successfully receives a command from the Remote Control.<br>2x BEEP = The toilet will give out two beeping sounds every time it has successfully received a command, but cannot execute it. |   |
|  |  |  | Some functions are working, some are not.   | In order for most function to be activated, the user must be sitting onto the toilet. |
|  | Remote is working intermitantly.   | If a bright light source is shinning onto the remote signal receiver, it is possible that it interferes with the remote signal.                                      | Close all lights in the room and try using the remote again.  |   |
|  |  |  | Bring the remote very close to the signal reveiver window on the toilet seat.   |   |
|  | The nozzles are not coming out.  | The user must be sitting onto the toilet in order for the bidet function to be working.  | User must seat on the toilet to activate the seat sensor which unlocks the functions.   |   |
|  | Nozzle is not retracting back into the toilet.                                     | Electronic fault.  | The user must not touch the nozzle with its hands, and must not push it back in by hand.  |   |
| Unplug the toilet for 5 minutes and plug it back. The nozzle should retract by itself. |  |  |   |   |
| <b>Nozzles</b>   | Water only comes out from the bottom of the nozzle, not from the tip as it should. | Make sure the bidet water pressure is not set to the lowest level. When set at the lowest level, it is normal that the water comes out from the base of the nozzle.  | User must seat onto the toilet, activate the bidet function and increase the pressure.  |   |
|  | Water is leaking from the nozzle, even during off use.                             | The nozzle valve is broken.  | Unplug the toilet, if the water continues to leak, the nozzle valve is broken. Contact our customer service.  |   |
|  | Water is always running from the flush tank.                                       | The flushing probe is adjusted too low and is constantly touching the flush valve.   | Contact our customer service to receive instructions on how to adjust the flushing probe.   |   |
| <b>Heating</b>   | Bidet water is not warm.   | Bidet tank heating level is set to lowest. At the lowest heating level, the bidet water is kept at room temperature.   | Increase the bidet water temperature setting.   |   |
|  |  | Bidet has been running for a long time and is currently heating up. If the bidet has been running, the heater needs time to heat up the water in the tank once more. | Wait for 3 minutes.   |   |

## **MAINTENANCE & CONSUMER RESPONSIBILITIES**

- The DISTRIBUTOR does prohibits the use of harsh abrasive cleansers on any of its products. Harsh cleansers will damage the inner workings of the toilets.
- For daily maintenance, use a wet cloth and a soft liquid cleaner.
- Never use abrasives or cleaners containing acetone, chlorine or strong bleach, scrapers, metallic brushes, nor other objects or products which can graze or tarnish surfaces.

## **LIMITED 1 YEAR WARRANTY**

The DISTRIBUTOR warranty is valid for a period of 1 year after purchased. Improper use of this product or any deviations to the general guidance given in the user manual will void the warranty. This non-transferable warranty applies only to the original purchaser and proof of purchase is required for all claims.

This warranty applies to the DISTRIBUTOR toilet installed for residential use only.

The DISTRIBUTOR warrants that, when installed in accordance with the Recognized Plumbing Industry Practice, the toilets are free of manufacturing defects for a period of one (1) year from the date of purchase.

The DISTRIBUTOR will repair or replace the damaged product or parts only if they were installed and used in a proper way according this user manual.

Before accepting to repair or replace the product, the DISTRIBUTOR is entitled to send a representative to inspect the product. We will offer free of charge service for inspecting, repairing and replacing for the items within this warranty period; However the freight charges are the customer's responsibility.

## **INFORMATION ABOUT YOUR WARRANTY COVERAGE**

This warranty does not cover damages or failure attributable to:

- Toilets installed with obvious visual defects.
- Rough handling or improper operation.
- The presence of sediment or impurity in the water supply system used.
- Defects or damages to toilets caused by installation that does not comply strictly with the instructions set forth in the Recognized Plumbing Industry Practice.
- Defects or damage to toilets caused by severe accidents (e.g. fire, electric surge, etc.)
- Damage caused by flooding or standing water from leaking pipes, faucets, household appliances, etc.; Up to and including flooding and any damage caused by acts of God.

## **NOTES ON WARRANTY**

This warranty applies only to the original purchaser and installation site and is not transferable.

## **FOR WARRANTY SERVICE**

- ▶ To make a claim, contact the DISTRIBUTOR no later than 30 days following the date of discovery or detection of defect.
- ▶ Proof of purchase, such as the bill of sale is mandatory when requesting warranty service.
- ▶ The DISTRIBUTOR reserves the right to designate a representative to inspect the vanity for analysis.
- ▶ No unauthorized person, installer, dealer, agent or employee of the DISTRIBUTOR or any representative is entitled to assume any liability on behalf of the DISTRIBUTOR relating to the sale of this product or has the authority to increase or alter the obligations or limitations of this warranty.

# INSTALLATION PICTURE



Save this manual for future reference  
Conservez ce manuel pour usage ultérieur  
Conserve este manual para futura referencia



HEAD OFFICE / SIÈGE SOCIAL / OFICINA PRINCIPAL  
2800 Etienne Lenoir, Laval  
Quebec H7R 0A3 Canada

Customer service / Service à la clientèle / Service al cliente  
Tel.: 1-866-839-2888  
Fax: 1-866-922-9990  
customerservice@ovedecors.com

*8:00 am - 5:00 pm E.S.T Monday - Friday  
8 h à 17 h HNE, du lundi au vendredi  
8 h a 17 h HDE, de lunes a viernes*

*English and Frenchspeaking representatives available  
Représentants disponibles en Anglais et Français  
Representantes disponibles para inglés y francés*

KEEP THIS INFORMATION  
CONSERVEZ CES INFORMATIONS  
CONSERVE ESTA INFORMACIÓN

Purchase date

Date d'achat

Fecha de compra

\_\_\_\_\_

Product Tracking Reference

Suivi et référence du produit

Numero de referencia

\_\_\_\_\_