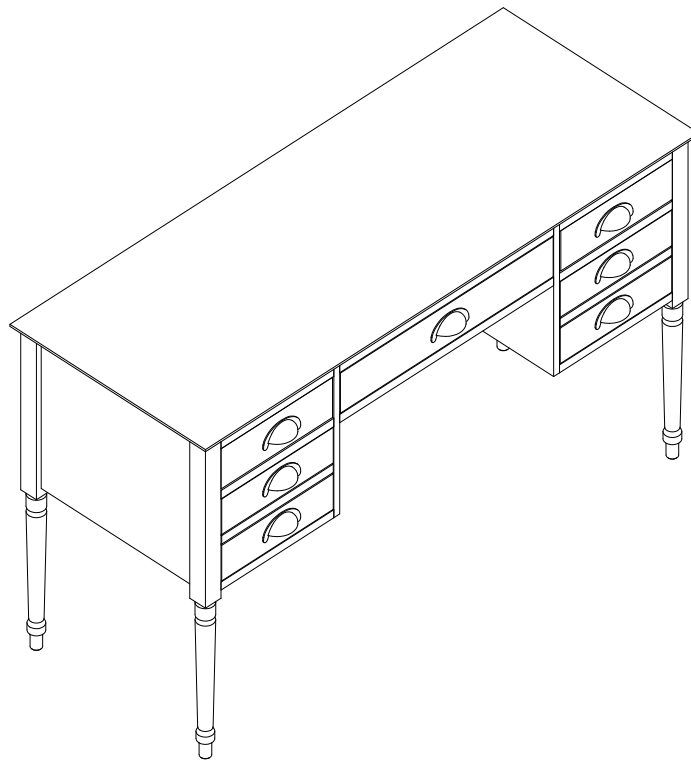


USE AND CARE GUIDE

LARGE WRITING DESK WITH TURNED LEGS



**Questions, problems, missing parts? Before returning to the store,
call Home Decorators Collection Customer Service.
8 a.m. – 7 p.m., EST, Monday – Friday, 9 a.m. – 6 p.m., EST, Saturday**

1-800-998-7021

HOMEDEPOT.COM/HOMEDECORATORS

THANK YOU

We appreciate the trust and confidence you have placed in Home Decorators Collection through the purchase of this Large Writing Desk with Turned Legs. We strive to continually create quality products designed to enhance your home. Visit us online to see our full line of products available for your home improvement needs. Thank you for choosing Home Decorators Collection!

Table of Contents

Table of Contents.....	2	Tools Required.....	3
Safety Information.....	2	Hardware Included.....	3
Warranty.....	2	Pre-assembly (continued).....	4
3 Year Warranty.....	2	Package Contents.....	4
What is Covered.....	2	Assembly.....	5
What is Not Covered.....	2	Maintenance.....	7
Pre-assembly.....	3	Care and Cleaning.....	7
Planning Assembly.....	3		

Safety Information



DANGER

- Keep small parts away from children during assembly.
- Read and follow instructions carefully.



WARNING

- Read these instructions carefully and keep in a safe place.
- TO GUARANTEE THE SAFE USE OF THIS PRODUCT, FOLLOW THE WARNINGS, GUIDELINES AND RECOMMENDATIONS IN THIS MANUAL.
- Adult assembly required.
- Small parts may present choking hazard prior to assembly.
- To further reduce the risk of serious injury and death from tip-overs:
 - Place heaviest items in the lowest compartments or drawers.
 - Never allow children to climb or hang on drawers, doors or shelves.
 - Never open more than one drawer at a time.
 - Use of tip-over restraints may only reduce, but not eliminate, the risk of tip-over.
 - For safe mounting, it is essential to use wall anchors appropriate to your wall type (i.e. plaster, drywall, concrete, etc). Mount to wood studs whenever possible.*



CAUTION

- Do not use power tools to assemble your furniture. Power tools may strip or damage parts/product.
- Do not overtighten connectors (screws, bolts, etc.). Overtightening can lead to product damage.
- Be sure to check all packing materials carefully for small parts that may have come loose inside the carton during shipment. If parts are missing, contact THE HOME DEPOT to obtain any missing parts.
- DO NOT USE SUBSTITUTE PARTS.
- This product should only be used on a flat, level surface.
- Some assembly may involve attaching glass or mirrors.
- Be very careful handling the glass or mirrors, as severe injury may result if the glass or mirror breaks.
- Never handle large pieces of glass or mirrors by yourself.
- Assembly requires two people; assembly alone may cause injury.

Warranty

3 YEAR WARRANTY

WHAT IS COVERED

We guarantee this product to be free of manufacturing defects to the original purchaser for three years.

WHAT IS NOT COVERED

This warranty does not cover commercial use, acts of nature, and abusive use.

Pre-assembly

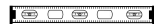
PLANNING ASSEMBLY

This product has been designed for easy assembly and constructed for durability. All parts were checked prior to packaging to ensure quality. Prior to beginning assembly, however, make sure all parts and hardware are included and free of obvious defects. If a part is missing or defective, please contact the store where purchased.

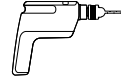
TOOLS REQUIRED



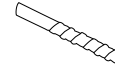
Safety goggles



Level



Drill



Bit



Pencil



Phillips



Tape Measure

HARDWARE INCLUDED



NOTE: Hardware not shown to actual size.



—AA



—BB



—CC



—DD



—EE



—FF



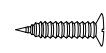
—GG



—HH



—II

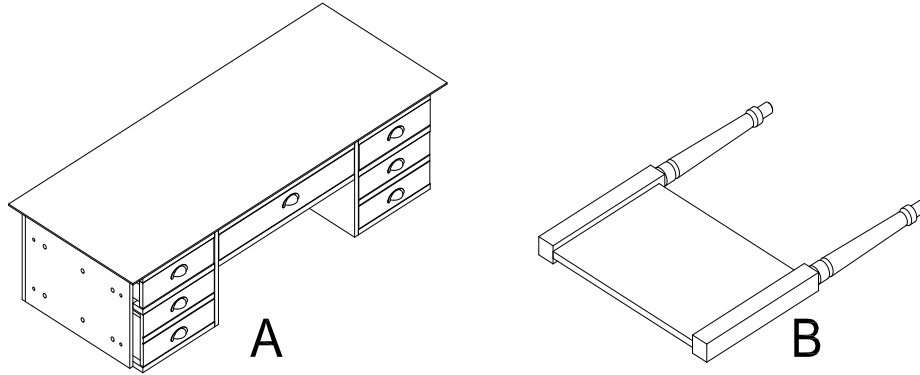


—JJ

Part	Description	Quantity
AA	Long Bolt	12
BB	Spring Washer	12
CC	Flat Washer	12
DD	Allen Wrench	1
EE	Wood Dowel	8
FF	Plastic Anchor	4
GG	Plastic Bracket	4
HH	Plastic Rope	2
II	Long Wood Screw (3.5*38mm)	4
JJ	Short Wood Screw (3.5*15mm)	4

Pre-assembly (continued)

PACKAGE CONTENTS

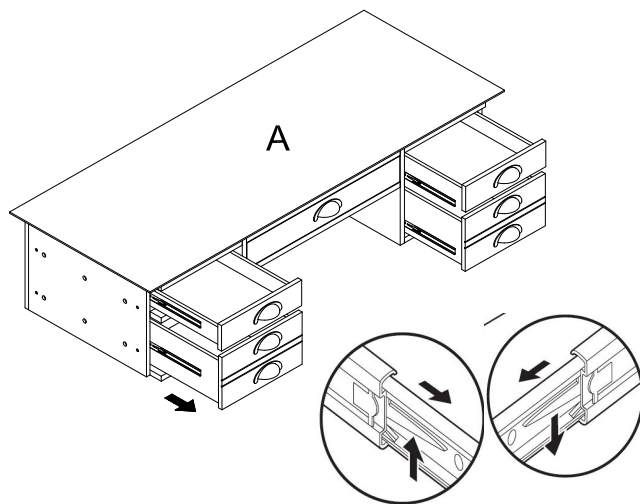


Part	Description	Quantity
A	Desk	1
B	Side Panel Legs	2

Assembly

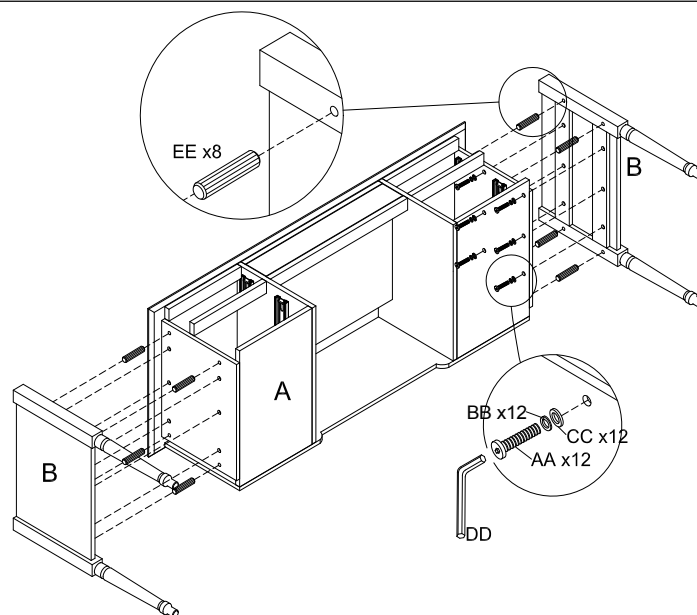
1 Remove All Drawers

- Open the drawer as far as possible. Simultaneously, press the right side spring clip downward and the left side spring clip upward. Once both spring clips are held in the indicated position, pull the drawer straight out.



2 Assemble Desk with Side Panel Legs

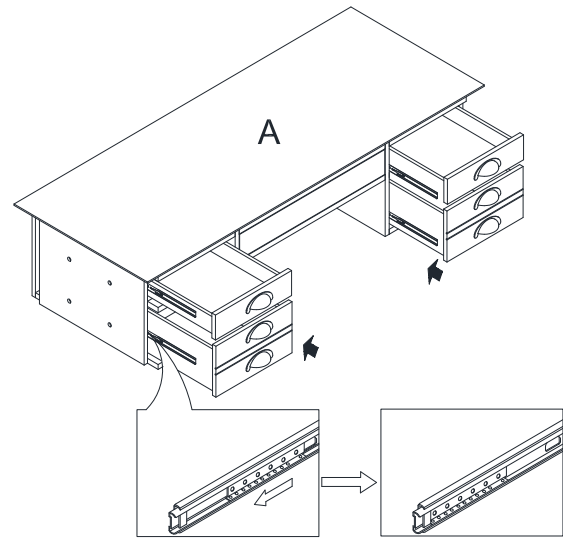
- Insert Wood Dowel (EE) into Table (A). **Apply 8 times.**
- Attach Long Bolt (AA) through Spring Washer (B) and Flat Washer (CC). Use Allen Wrench (DD) to tighten and assemble Desk (A) and Side Panels (B/C) together. **Apply 12 times.**



Assembly

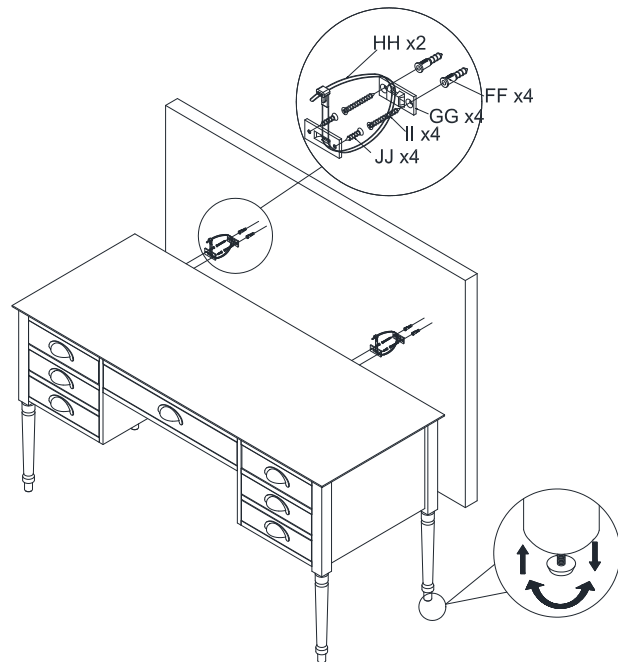
3 Attach All Drawers

- Bring out the inner slides as far as possible, match the drawers to the slides and push in.



4 Secure Desk to Wall

- Use Long Wood Screw (II) to fix Plastic Bracket (GG) to Plastic Anchor (FF) and secure to desired location on the wall. **Apply 4 times.**
- Use Short Wood Screw (JJ) to fix the Plastic Bracket (GG) to the top of Table (A) by using Plastic Rope (HH). **Apply 4 times.**
- Adjust height of desk by adjusting the pre-installed levelers in the legs under the Side Panels (B).



Maintenance

- In the event that your furniture is stained or otherwise damaged during use, we recommend that you call a professional to repair your furniture.
- Check bolts/screws periodically and tighten them if necessary.

Care and Cleaning

- Use a soft, clean cloth that will not scratch the surface when dusting.
- Using solvents of any kind on your furniture may damage the finish.
- Use of furniture polishes is not necessary.
- Never use water to clean your furniture, as it may cause damage to the finish.
- Liquid spills should be removed immediately. Use a soft and clean cloth to blot the spill gently. Avoid rubbing.
- Use of furniture polishes is not necessary.
- Avoid placing furniture directly under windows.

**HOME
DECORATORS
COLLECTION®**

**Questions, problems, missing parts?
Before returning to the store, call Home Decorators Collection Customer Service.
8 a.m. – 7 p.m., EST, Monday – Friday, 9 a.m. – 6 p.m., EST, Saturday**

1-800-998-7021

HOMEDEPOT.COM/HOMEDECORATORS

Retain this manual for future use.