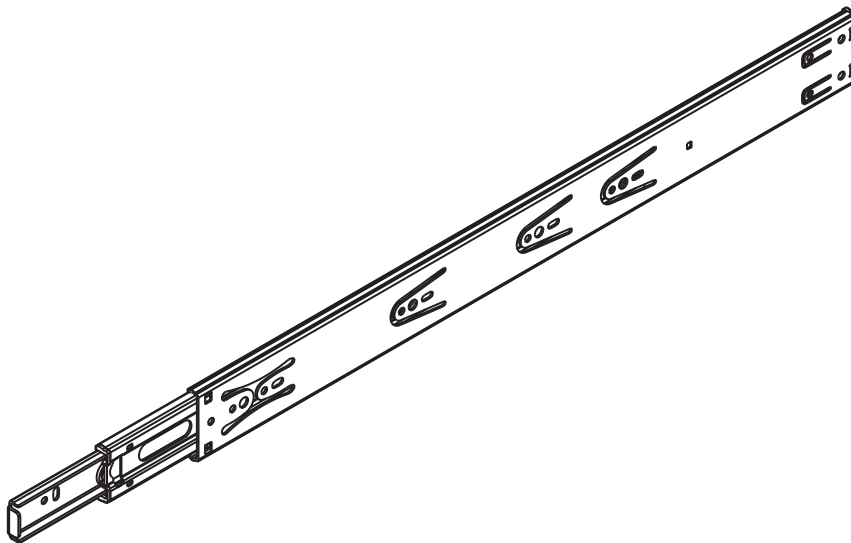




Item # 1002 782 611  
1002 803 079  
Model # 9236046 (20 in.)  
9236048 (22 in.)

## USE AND CARE GUIDE

### PUSH TO OPEN BALL BEARING DRAWER SLIDES



Questions, problems, missing parts? Before returning to the store,  
call Everbilt Customer Service  
8 a.m. - 7 p.m., EST, Monday - Friday, 9 a.m. - 6 p.m., EST, Saturday

**1-800-305-1726**

**HOMEDEPOT.COM**

Retain this manual for future use.

#### **THANK YOU**

*We appreciate the trust and confidence you have placed in Everbilt through the purchase of these Drawer Slides. We strive to continually create quality products designed to enhance your home. Visit us online to see our full line of products available for your home improvement needs. Thank you for choosing Everbilt!*

# Table of Contents

Table of Contents .....	2	Installation Options .....	3
Warranty .....	2	Dimensions .....	4
Pre-Installation .....	2	Installation .....	5
Planning Installation .....	2		
Tools Required .....	2		
Package Contents .....	3		

## Warranty

Subject to the terms of this warranty, the Manufacturer warrants to the original consumer purchaser that the product will be free from defects in material and workmanship. If the product does not comply with this warranty, the Manufacturer will repair or replace the product or, at the Manufacturer's option, refund the purchase price. Repair, replacement, or refund of the original purchase price is your sole remedy under this or any other warranty on the product, whether expressed or implied.

For additional details and questions, please contact Everbilt Customer Service at 1-800-305-1726.

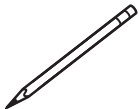
## Pre-Installation

### PLANNING INSTALLATION

Please read and understand this manual before installing this product.

Ensure all parts listed in the Package Contents section are included and that you have the listed Tools and Materials Required on hand. If any part is missing or damaged, contact customer service.

### TOOLS REQUIRED



Pencil



Level



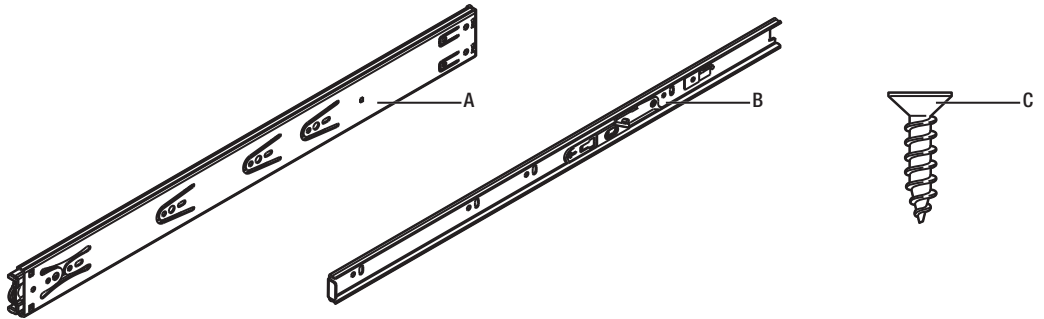
Measuring Tape



Phillips  
screwdriver

## Pre-Installation (continued)

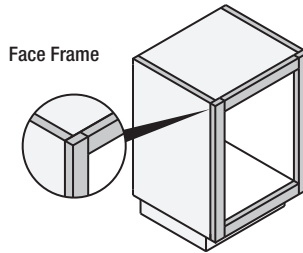
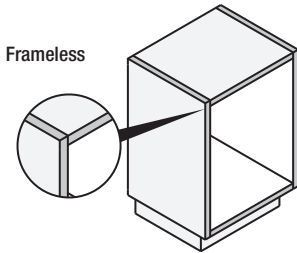
### PACKAGE CONTENTS



Part	Description	Quantity
A	Bracket	2
B	Drawer Slide	2
C	#6x1/2 in. Screw	8

## Installation Options

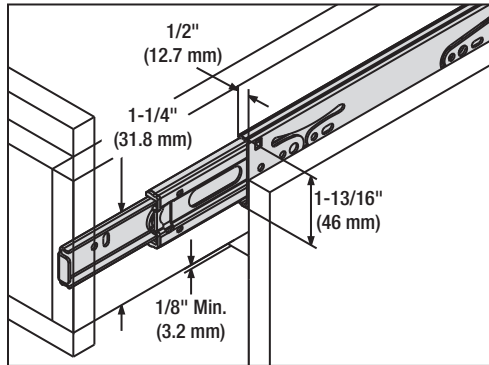
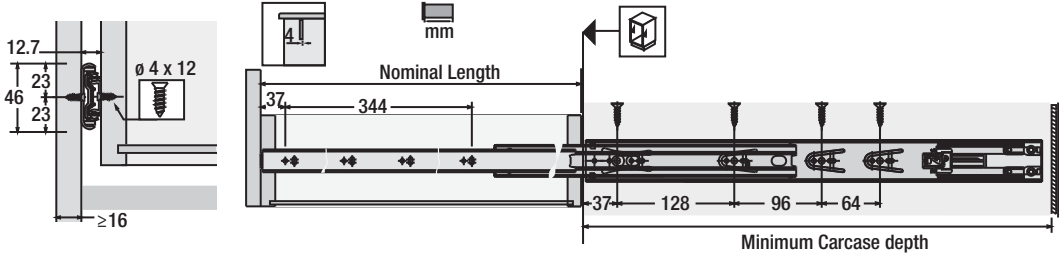
These slides are intended for frameless cabinets. For face frame cabinets, the socket set is required.



# Dimensions

Please review these diagrams and measure and mark your installation location before you begin the installation procedures.

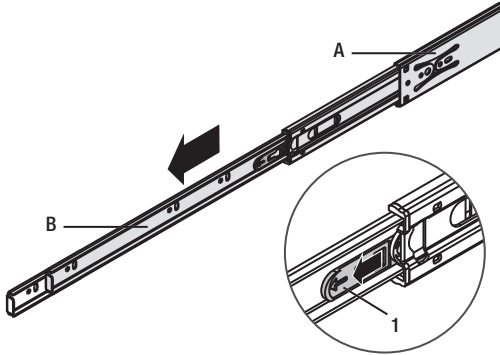
- To avoid binding, the drawer or pull-out-shelf must be 1/2 in. (12.7 mm) narrower than the cabinet opening on each side.
- The top and bottom of the drawer or pull-out-shelf bottom should have a 1/8 in. (3.2 mm) minimum clearance from the cabinet opening.
- These slides have a capacity of 77 lb (35 kg), per pair.
- These slides are available in lengths of 20 in. (500 mm) and 22 in. (550 mm).



# Installation

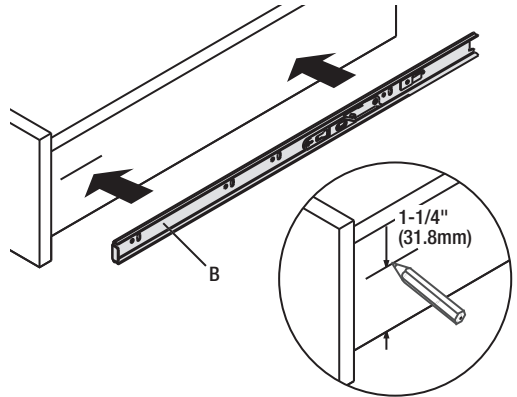
## 1 Separating the slides

Press the release lever (1) and remove the drawer slides (B) from each bracket (A).



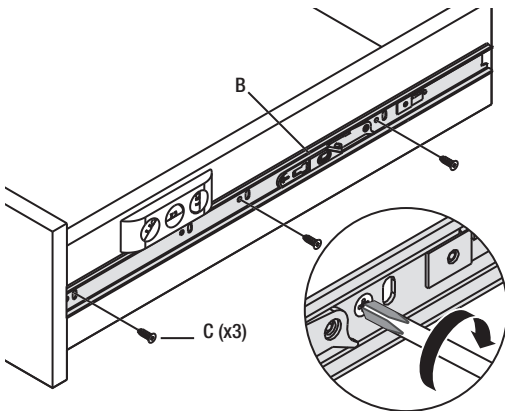
## 2 Marking the slide locations on the drawer

Mark 1-1/4 in. (32 mm) from the bottom of the drawer. Align the top of the drawer slides (B) with the marks on each side of the drawer.



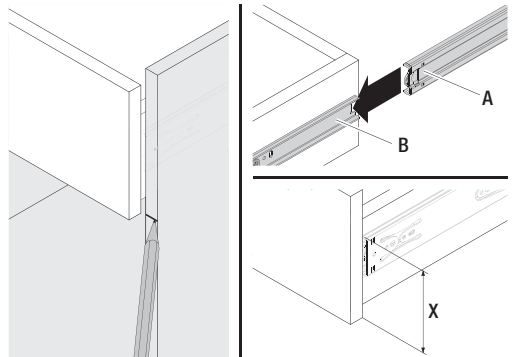
## 3 Installing the drawer slides

Ensure each drawer slide (B) is level and then secure to the sides of the drawer with screws (C).



## 4 Positioning the drawer

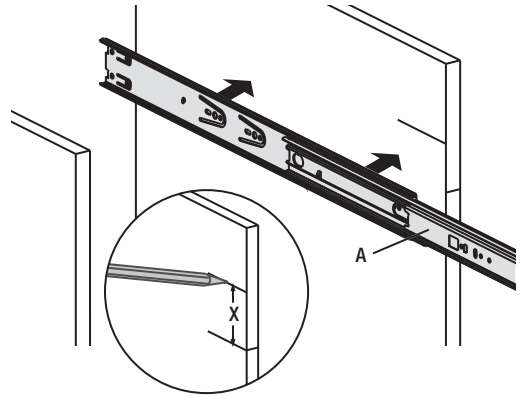
Determine the drawer position. Mark the bottom of the drawer front. Place the brackets (A) onto the drawer slides (B) and measure "X".



## Installation (continued)

### 5 Marking the bracket positions

Mark "X" from the bottom of the mark. Align the top of the bracket (A) with the mark, 1/16 in. from the front of the cabinet.



### 6 Installing the brackets into the cabinet and drawers

Make sure each bracket (A) is level and secure inside the cabinet with screws (C). Insert the drawer into the cabinet and close. The release lever (1) will lock.

