

The logo features the word "Kraus" in a white, serif font on a black background. The letter "K" is stylized with a faucet handle and spout integrated into its structure. A registered trademark symbol (®) is positioned to the upper right of the "s".

Kraus®

INSTALLATION MANUAL

Aplos™ Single Handle Basin Bathroom Faucet

KEF-15301

Thank you for your purchase

We would like to take this opportunity to thank you for choosing Kraus. We hope that you are completely satisfied with your purchase, and enjoy it for years to come. If you have any questions, or require technical assistance, please contact us at 800.775.0703 and one of our representatives will be happy to help.

For more information about Kraus products, please visit:

www.kraususa.com

In order to activate your warranty and get faster access to customer support, please register your new Kraus product at:

www.kraususa.com/registration

Sincerely,

Kraus USA Customer Service

PRIOR TO INSTALLATION

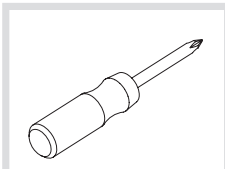
- Make sure you have all necessary parts by checking the diagram and parts list. If any part is missing or damaged, please contact Kraus Customer Service at 800-775-0703 for a replacement.
- Turn off the hot and cold water supply at the angle stops and turn on the old faucet to release any built up pressure. Remove existing faucet. Clean sink or countertop to remove any debris, plumber's putty, or silicone
- Place a bucket under angle stops. Turn on to flush any debris prior to installing new plumbing. Shut off angle stops
- Pre-drilled hole size requirement: 1-3/8" (min) – 1-1/2" (max)
- Max countertop thickness: 1-3/4"

For technical assistance or replacement parts, please contact Kraus Customer Service and one of our representatives will be happy to help:
Toll-Free: 800-775-0703 or Customerservice@kraususa.com

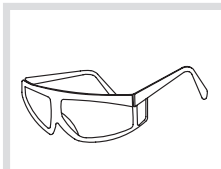
Tools you will need:



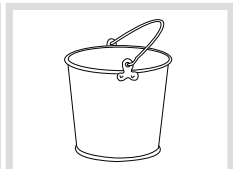
Adjustable Wrench



Phillips Screwdriver

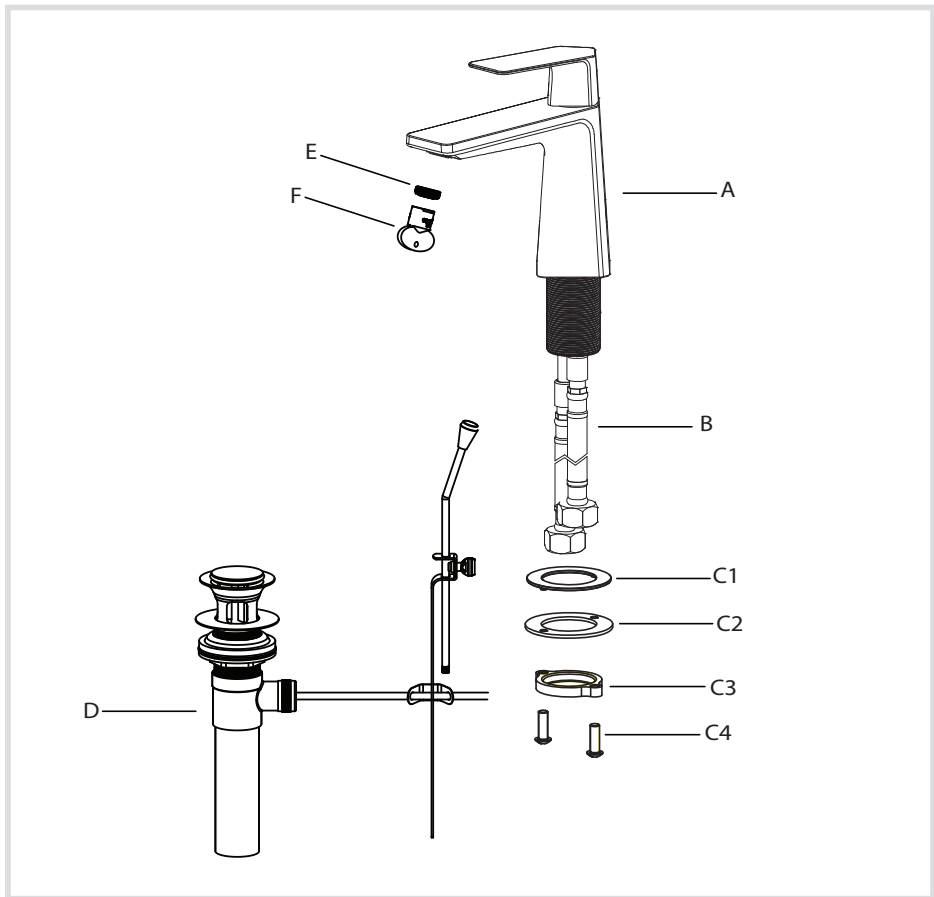


Safety Goggles



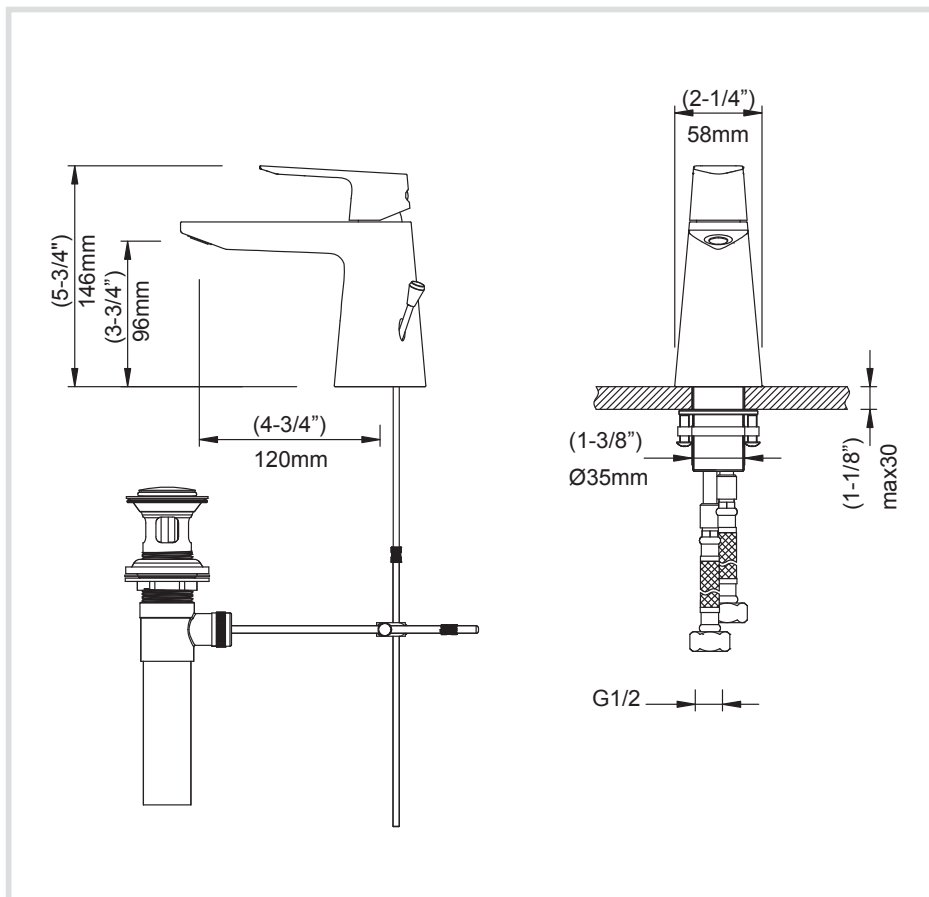
Bucket

Diagram and Parts List

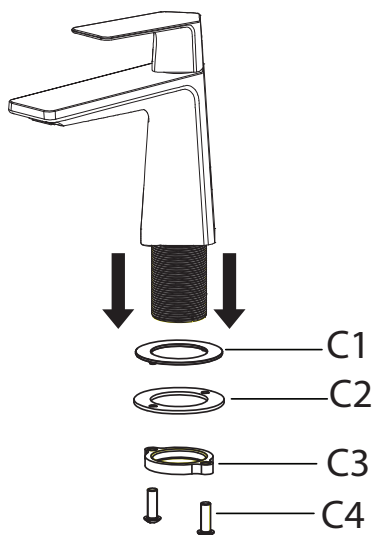


- | | |
|-------------------------------|----------------|
| A. Faucet Body | D. Drain |
| B. Waterlines | E. Aerator |
| C. Mounting Hardware Assembly | F. Aerator Key |
| C1. Rubber O-Washer | |
| C2. Metal O-Washer | |
| C3. Mounting Nut | |
| C4. Mounting Screw | |

Faucet Dimensions

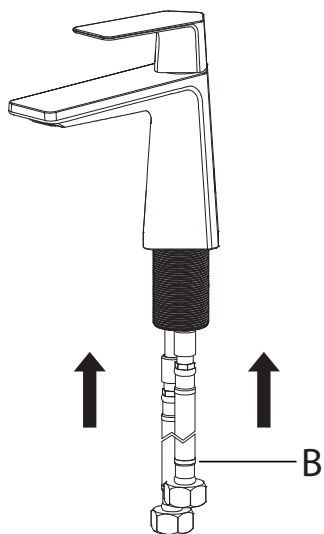


Step 1: Remove mounting hardware



Remove mounting hardware assembly (C)

Step 2: Install hot & cold waterlines



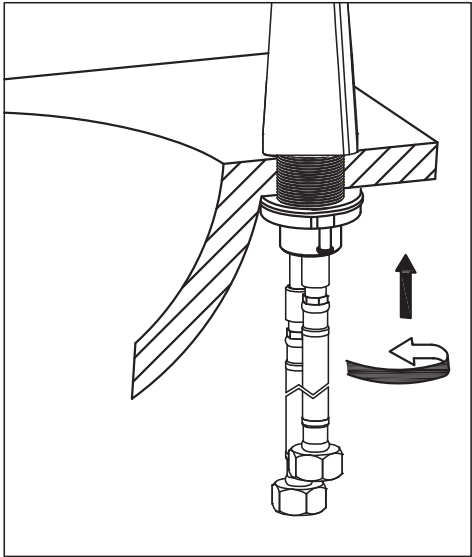
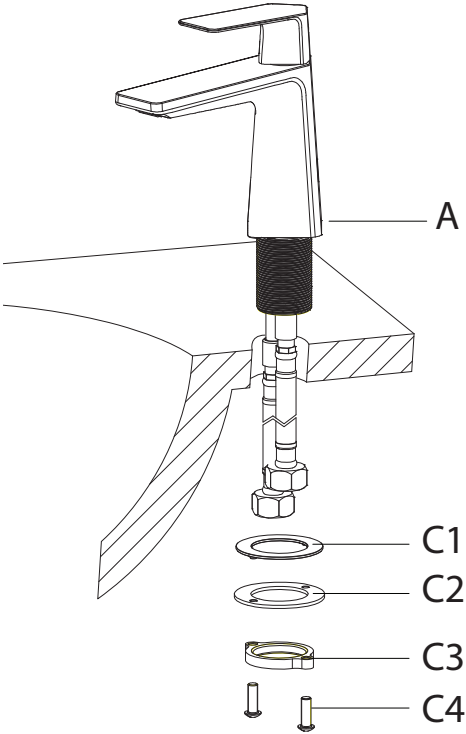
Install waterlines (B)

- Hot Side: Left
- Cold Side: Right

Installer Tip: HAND TIGHTEN ONLY

Step 3: Install faucet

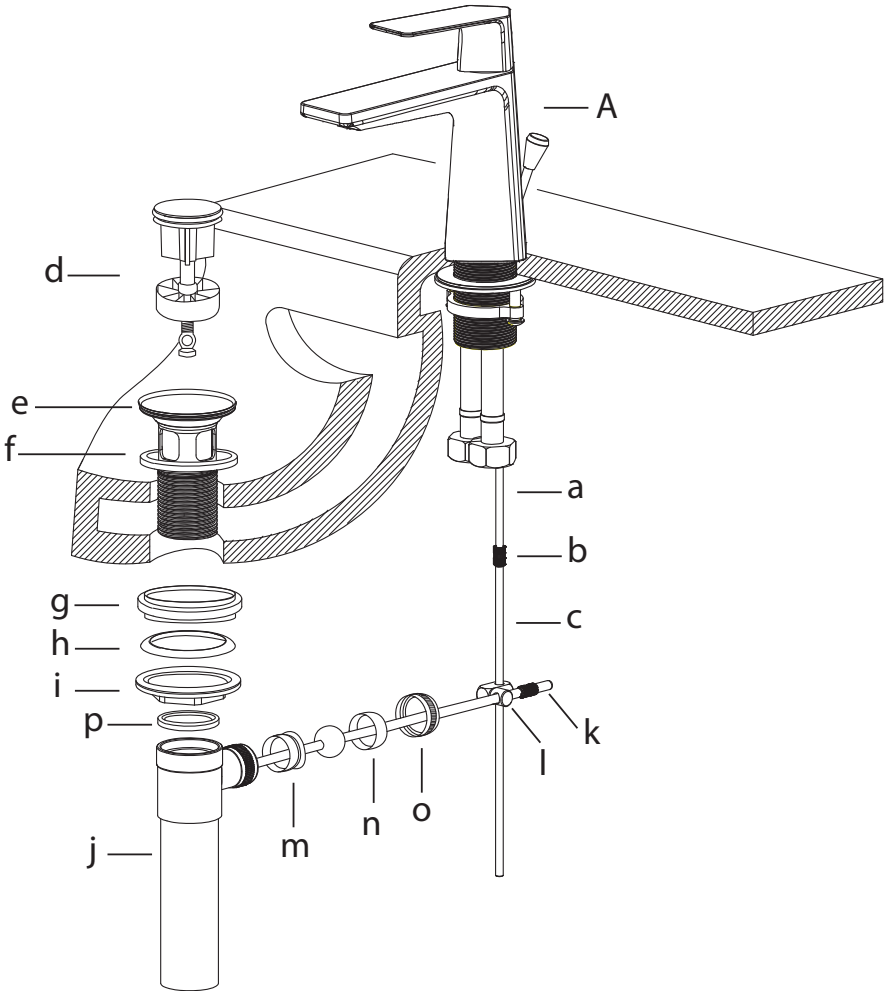
Place faucet body (A) through 1-3/8" hole in countertop. Attach mounting hardware assembly (C) and secure



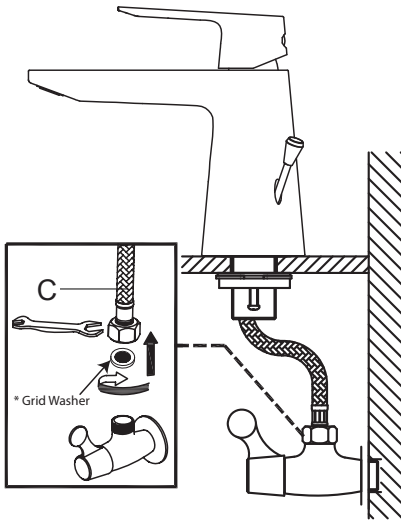
Step 4: Install drain

1. Remove waste stopper (d) from drain (e). Remove drain body (j), mounting nut (i), plastic washer (h), and concave washer (g) from drain (e)
2. Insert lift pole rod (a) through the hole in the back of the faucet body (A). Attach lift pole extension (c) to lift pole rod (a) by using connector (b). Secure tightly
3. Install drain (e), with rubber washer (f) attached, into the drain hole. From underneath countertop, attach concave washer (g), plastic washer (h), and mounting nut (i) to drain (e), and secure tightly to sink. Thread drain body (j) onto drain (e). Hand-tighten
4. Insert waste stopper (d) into drain (e). Make sure hole in brass screw on waste stopper (d) is aligned with drain body (j) opening
5. Remove retaining nut (o) from drain body (j). Leave top hat washer (m) inside drain body (j)
6. Insert shortest end of drain-off-pole (k) into drain body (j). Attach washer (n) and retaining nut (o) through drain-off pole (k). Secure retaining nut (o) to drain body (j)
7. Align drain body (j) to enable drain-off pole (k) and lift pole extension (c) to engage
8. Connect lift pole extension (c) and drain-off pole (k) using elbow connector (l). Adjust and tighten elbow connector (l) with Phillips head screwdriver

Step 4: (Continued)



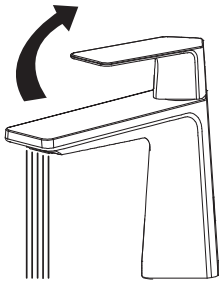
Step 5: Connect waterlines to main valve



Attach waterlines (C) to angle stops and tighten until snug. Turn on angle stops and check for leaks (DO NOT TURN FAUCET ON)

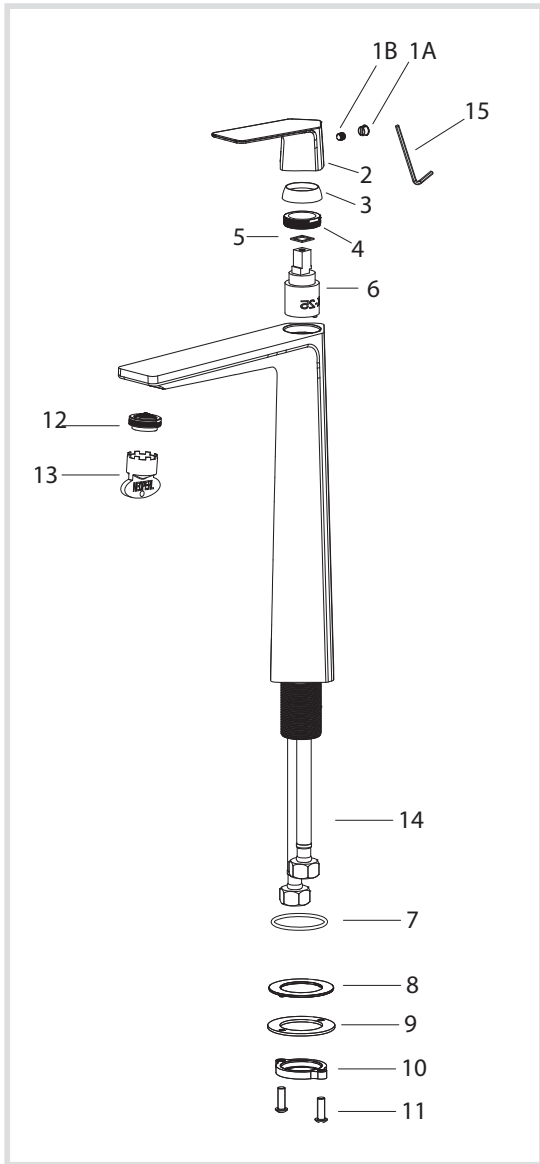
Installer Tip: Make sure grid washer is installed at the end of waterlines prior to installing

Step 6: Flush faucet



Turn faucet on for one minute to check flow

Replacement Part List - KEF-15301



1. A. Cap
B. Set Screw
2. Handle Cap
3. Cartridge Cover
4. Locking Nut
5. O-Ring
6. Cartridge
7. Base O-Ring
8. Rubber O-Washer
9. Metal O-Washer
10. Mounting Nut
11. Mounting Screws
12. Aerator
13. Aerator Key
14. Waterlines
15. Drain
16. Hex Wrench

Trouble - Shooting

If you have followed the instructions carefully and your faucet still does not work properly, take the following corrective steps:

PROBLEM	CAUSE	ACTION
Leakage under the handle	Locking nut (4) has come loose	Remove cap (1a). Loosen set screw (1b) with hex wrench (16). Remove metal handle (2). Unscrew cartridge cover (3) (by hand only). Tighten locking nut (4) with an adjustable wrench
Aerator (12) drips or has inconsistent water flow pattern	Aerator (12) is dirty or not seated properly	Unscrew aerator (12) with aerator key (13) and clean out debris
Water will not shut off completely	Cartridge (6) may need to be adjusted or replaced	Remove cap (1a). Loosen set screw (1b) with hex wrench. Remove metal handle (2). Unscrew cartridge cover (3) (by hand only). Unscrew the locking nut (4) with an adjustable wrench. Remove ceramic disc cartridge (6). Check for cracks
Drain (15) is leaking	Washers may be compromised or installed incorrectly	Check washers to make sure they are installed correctly and not cracked

Codes/Standards Applicable:



HELP LINE

Our customer service hours are Monday – Friday, 9am – 8pm EST.
Be sure to visit our website at www.kraususa.com

If you are a homeowner please contact a Kraus Customer Service Representative at:

Kraus USA, Inc.
12 Harbor Park Drive
Port Washington, NY 11050
Toll-free 800-775-0703
Customerservice@kraususa.com

If you are a plumbing contractor or trade professional please contact a Kraus Pro Representative at:

Kraus USA, Inc.
12 Harbor Park Drive
Port Washington, NY 11050
516-801-8955
Proservice@kraususa.com

If you are an Authorized Partner please contact a Partner Support Representative at:

Kraus USA, Inc.
12 Harbor Park Drive
Port Washington, NY 11050
516-801-8954
Partnersupport@kraususa.com

In requesting warranty service, please be ready to provide:

1. Proof of purchase.
2. A description of the problem.

Care & Maintenance

*To keep the product clean & shining, follow the steps below:



1. Rinse with clean water & dry with a soft cloth
2. Do not clean with soaps, acid, polish, abrasives, or harsh cleaners
3. Do not use cloth with a coarse surface
4. Unscrew the aerator and clean when necessary

*This installation manual is subject to change without further notice.

Download the Kraus Care & Maintenance Guide at:

<http://www.kraususa.com/maintenance>

Kräus[®]

www.kraususa.com

REGISTER YOUR PRODUCT TODAY

Receive Proof of Ownership
Access Customer Care & Installation Help
Get Exclusive Kraus Offers & Promotions



Scan to Register Online
or visit <http://www.kraususa.com/registration>

We're always looking for ways to improve.

Please take a moment to share your experience.
Visit <http://www.kraususa.com/review> to let us know what you think
about your new Kraus product.

Contact Us to Learn More
1.800.775.0703 / www.kraususa.com / customerservice@kraususa.com
Like & Follow KrausUSA

Download the Kraus Care & Maintenance Guide at:
<http://www.kraususa.com/maintenance>



Kräus[®]

www.kraususa.com