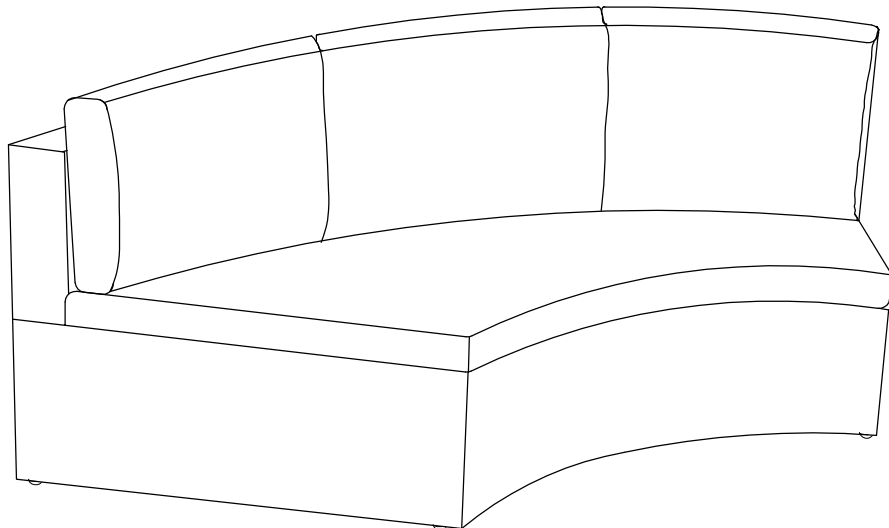


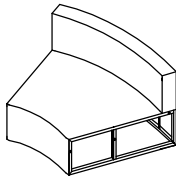
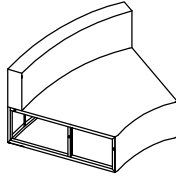
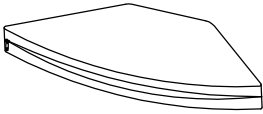

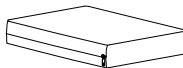


Catalina Outdoor Wicker Round Sectional Sofa

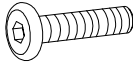
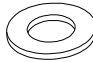


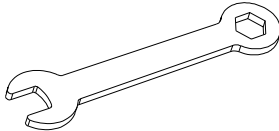
CO7120-BR



PART LIST

 Left Seat		 Right Seat	
A	1PC	B	1PC
 Cover Of Seat Cushion		 Inner of Seat Cushion	
C	1PC	D	2PCS
		 Back Cushion	
		E	3PCS

HARDWARE LIST

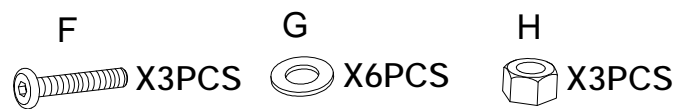
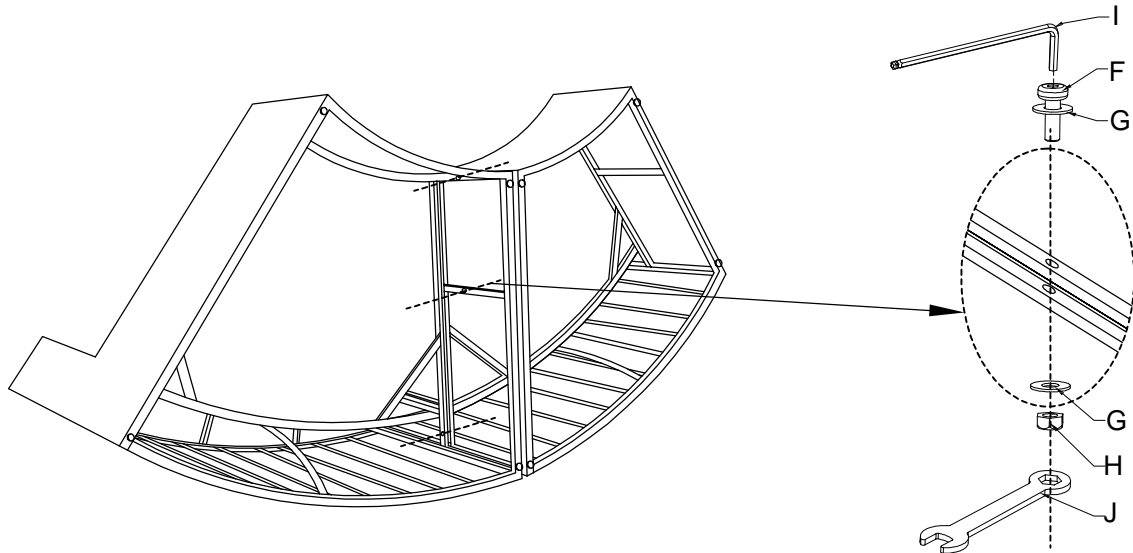
 Bolt(M6*60mm)		 Washer(M6mm)	
F	3PCS	G	6PCS
 Nut(M6mm)		 Allen Key(M6mm)	
H	3PCS	I	1PC
		 Wrench(M6mm)	
		J	1PC

EXTRA HARDWARE LIST

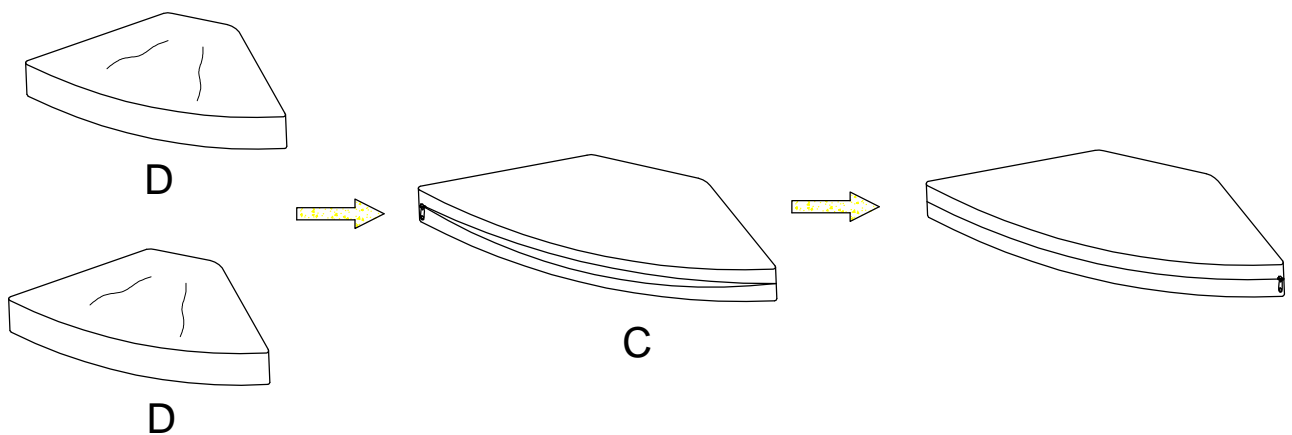
 F X1PC	 G X2PCS	 H X1PC
---	--	--

Step 1. Attach Right Seat (B) to Left Seat (A) using the Bolts(F), Nuts(H), Washers(G),Wrench(J) & Allen Key (I).

NOTE: Thread down but do not tighten bolts until unit is fully assembled.



Step 2. Insert Inner Of Seat Cushion (D) into Cover Of Seat Cushion (C).



Step 3. Place Seat Cushion and Back Cushion on the sofa.

