

#### Features

- High-arch swing spout with 360-degree rotation offers superior clearance for filling pots and cleaning.
- Ceramic disc valves exceed industry longevity standards, ensuring durable performance for life.
- Single lever handle is simple to use and makes adjusting water temperature easy.
- Temperature memory allows faucet to be turned on and off at the temperature set during prior usage.
- Available with 8-1/2" (216mm) swing spout reach.
- 1.8 gallons (6.8 L) per minute maximum flow rate at 60 psi (4.1 bar).

#### Material

- Premium metal construction.
- KOHLER finishes resist corrosion and tarnishing.

#### Installation

- For one-hole installation. (3-hole escutcheon available, sold separately model number K-99272.)
- Flexible connections for easy installation.

#### Adapters, Rough-in and Extension Kits

1012715 Range: 3-1/4" (83 mm) - 5-3/8" (137 mm)  
1030920 Range: 2-11/16" (68 mm) - 3-3/4" (95 mm)

#### Recommended Accessories

1054432 1.5 GPM (5.7 l/min) Aerator Kit



ADA

CSA B651

#### Codes/Standards

ASME A112.18.1/CSA B125.1

NSF 61

NSF 372

All applicable US Federal and State material regulations

DOE - Energy Policy Act 1992

California Energy Commission (CEC)

ADA

ICC/ANSI A117.1

CSA B651

#### KOHLER® Faucet Lifetime Limited Warranty

See website for detailed warranty information.

#### Available Color/Finishes

*Color tiles intended for reference only.*

Color	Code	Description
-------	------	-------------



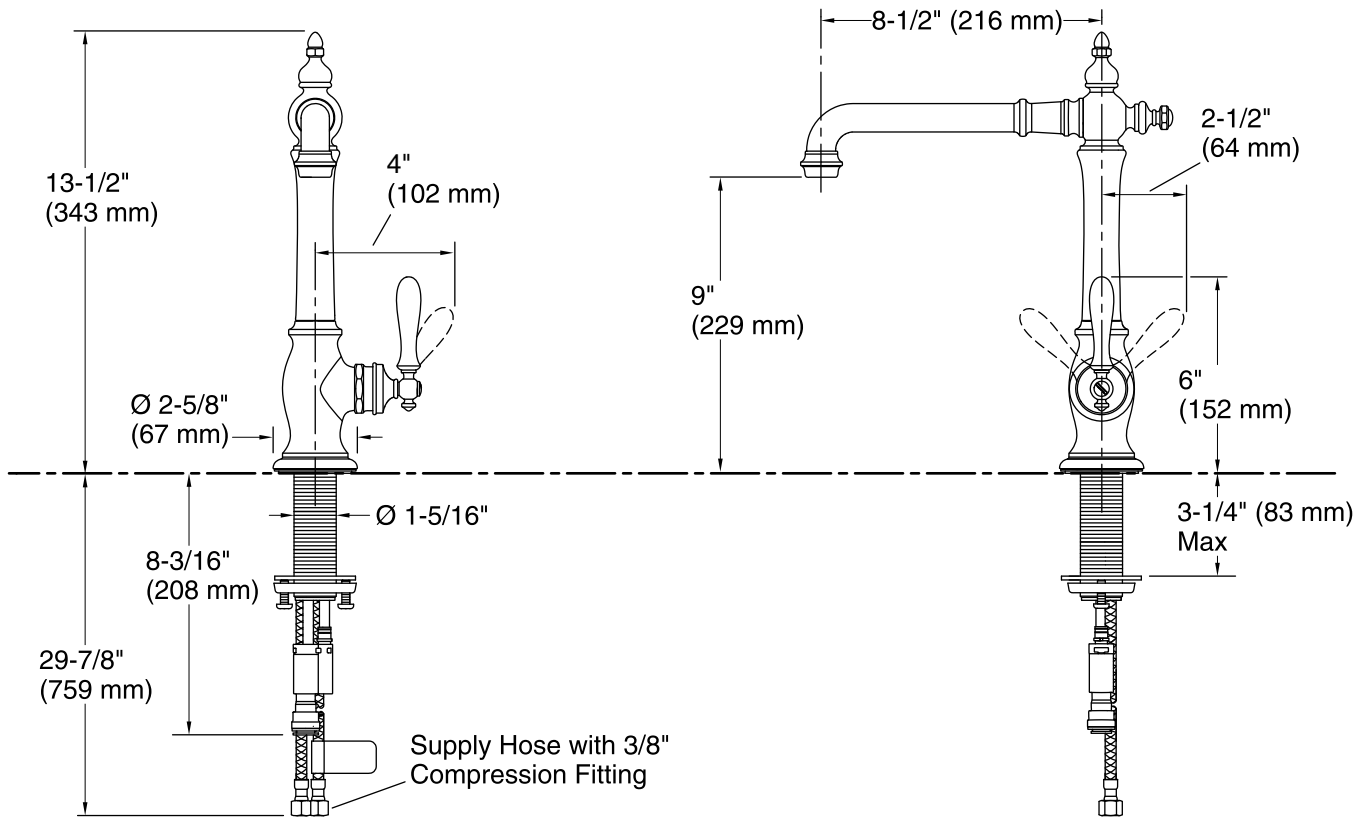
CP Polished Chrome



SN Vibrant® Polished Nickel



VS Vibrant® Stainless



#### Technical Information

All product dimensions are nominal.

#### Spout:

Spout reach: 8-1/2" (216 mm)

Handle clearance: 2-1/2" (64 mm)

#### Faucet:

Flow rate: 1.8 gal/min (6.8 l/min)

Pressure: 60 psi (4.1 bar)

#### Notes

Install this product according to the installation guide.

ADA, CSA B651 compliant when installed to the specific requirements of these regulations.