

PWB7030SL/EL

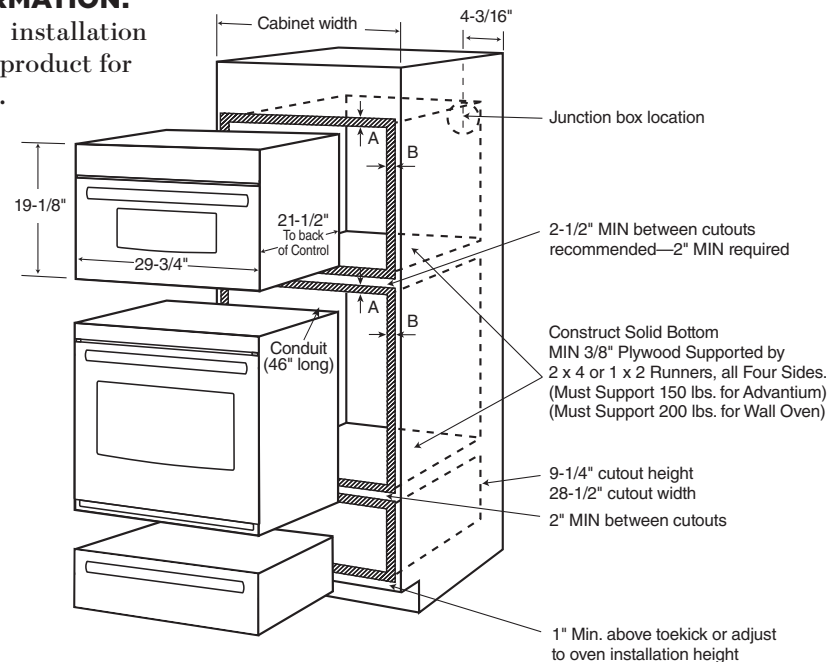
GE Profile™ Series Built-In Microwave/Convection Oven

DIMENSIONS AND CABINET INSTALLATION INFORMATION (IN INCHES)

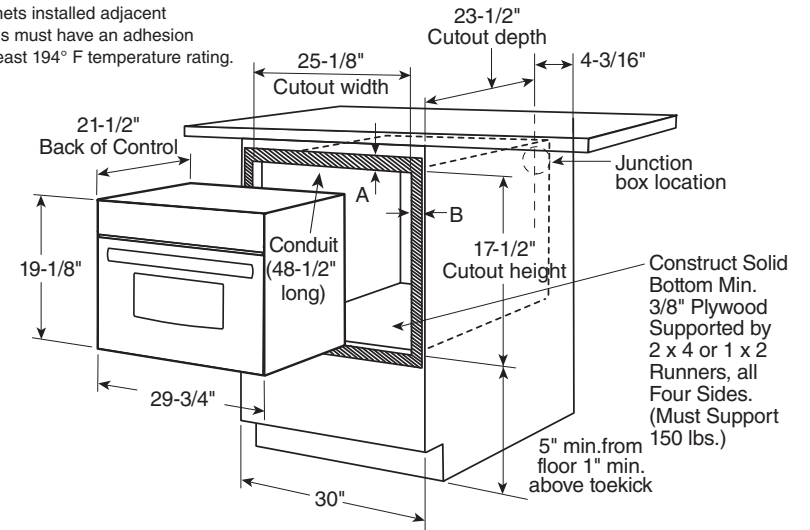
NOTE: Cabinets installed adjacent to wall ovens must have an adhesion spec of at least a 194°F temperature rating.

INSTALLATION INFORMATION:

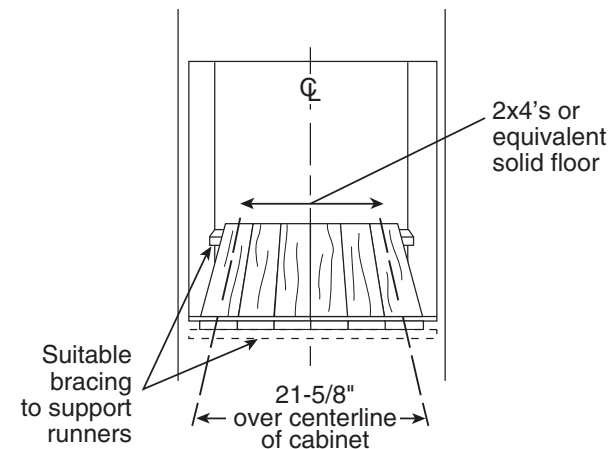
Before installing, consult installation instructions packed with product for current dimensional data.



Note: Cabinets installed adjacent to wall ovens must have an adhesion spec of at least 194° F temperature rating.



A= Allow 1" overlap of oven over bottom edge of cutout, and allow 1-1/4" overlap at top edge of cutout.
 B= Allow 11/16"-3/4" for overlap of oven over side edges of cutout.



For answers to your Monogram, GE Café™ Series, GE Profile™ Series or GE Appliances product questions, visit our website at geappliances.com or call GE Answer Center® Service, 800.626.2000.



Specification Created 12/16

PWB7030SL/EL

GE Profile™ Series Built-In Microwave/Convection Oven

FEATURES AND BENEFITS

1.7 cu. ft. capacity - 975 microwave watts (IEC test procedure) and 1500 convection watts

Combination Fast Cook setting - Combining microwave and radiant heat for speed

Steam sensor - Perfectly prepare your steamed favorites

My Cycle - Create a custom cook time setting, and with one touch, cook your favorite dish just the way you like

Glass touch controls - Glass touch controls offer a sleek console that is both easy to use and clean

120 Volts - Plugs into any wall outlet

Model PWB7030SLSS - Stainless steel

Model PWB7030ELES - Slate

