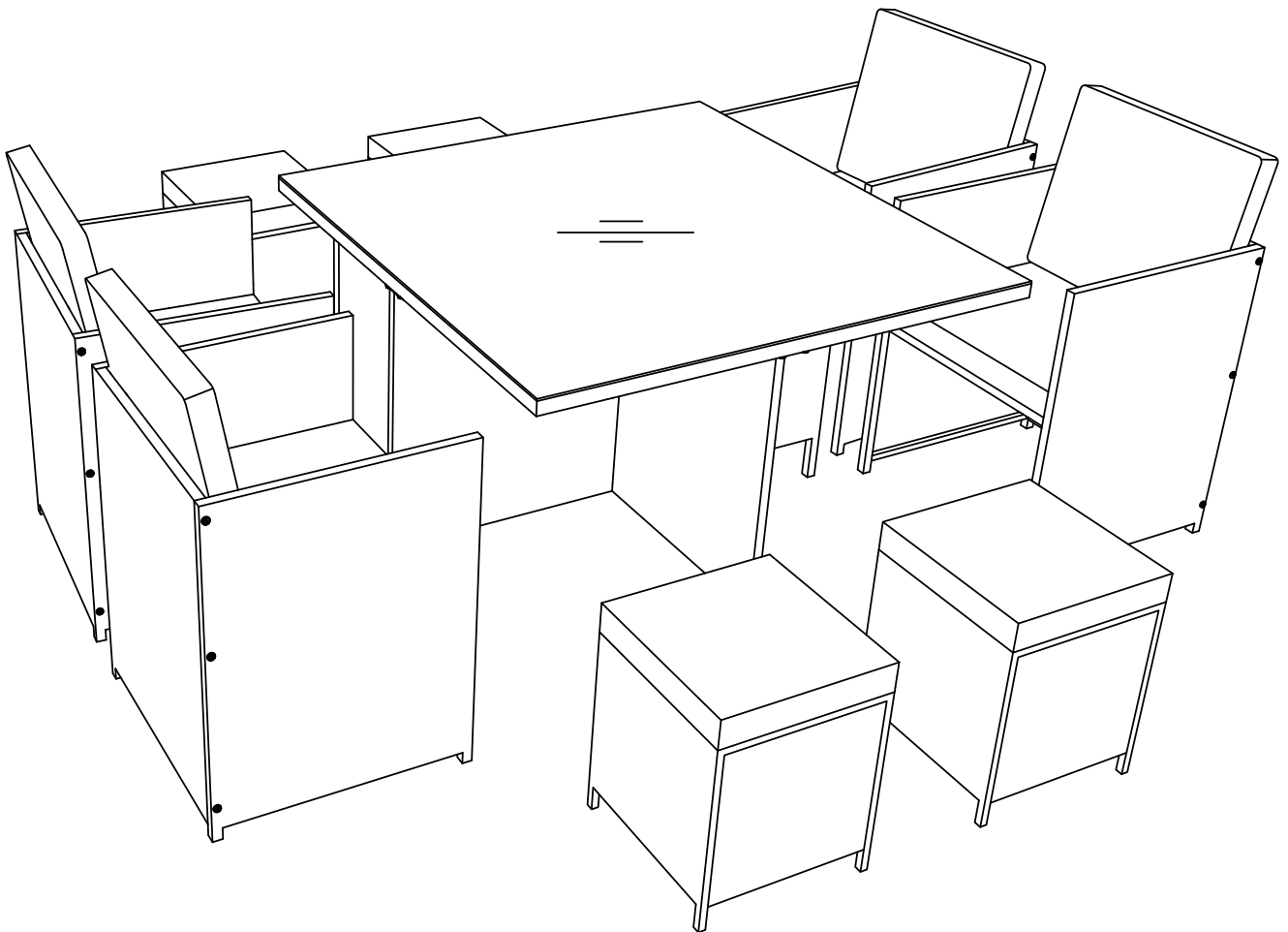


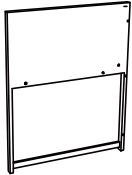
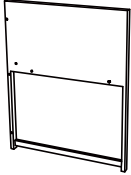
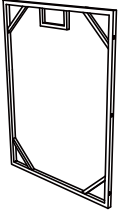
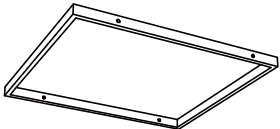
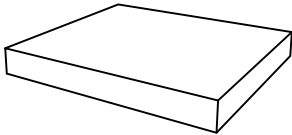
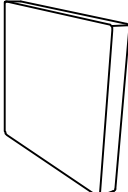
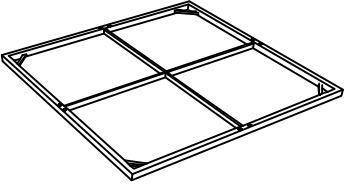
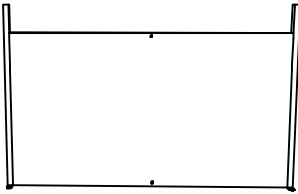
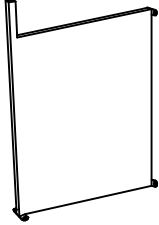
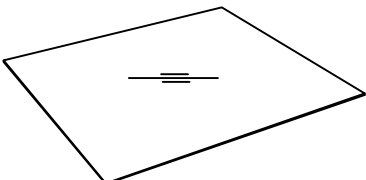
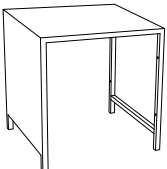
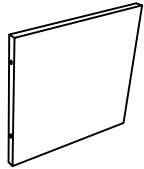
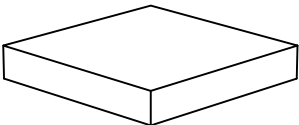



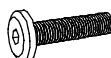

ASSEMBLY INSTRUCTION

CUBE 1+9

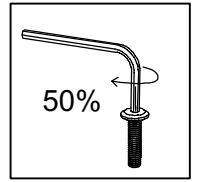
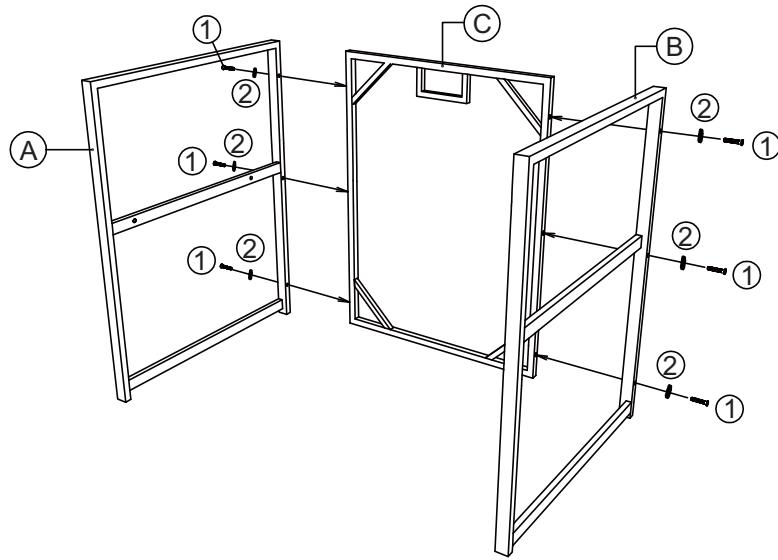


WF191780AAA; WF191781AAA; WF191782AAA

Part List & Hardware

<p>A</p>  <p>(4pcs)</p>	<p>B</p>  <p>(4pcs)</p>	<p>C</p>  <p>(4pcs)</p>
<p>D</p>  <p>(4pcs)</p>	<p>E</p>  <p>(4pcs)</p>	<p>F</p>  <p>(4pcs)</p>
<p>H</p>  <p>(1pc)</p>	<p>K</p>  <p>(1pc)</p>	<p>L</p>  <p>(2pcs)</p>
<p>M</p>  <p>(1pc)</p>	<p>S</p>  <p>(4pcs)</p>	<p>T</p>  <p>(8pcs)</p>
<p>V</p>  <p>(4pcs)</p>	<p>1</p>  <p>M6 x 40 mm</p> <p>(40pcs)</p>	<p>2</p>  <p>Ø6 x 14 mm</p> <p>(84pcs)</p>
<p>3</p>  <p>M6 x 20 mm</p> <p>(12pcs)</p>	<p>4</p>  <p>M6 x 30 mm</p> <p>(32pcs)</p>	<p>5</p>  <p>Allen key 4 x 60 mm</p> <p>(4pcs)</p>

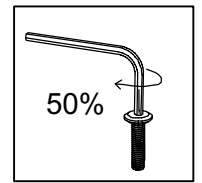
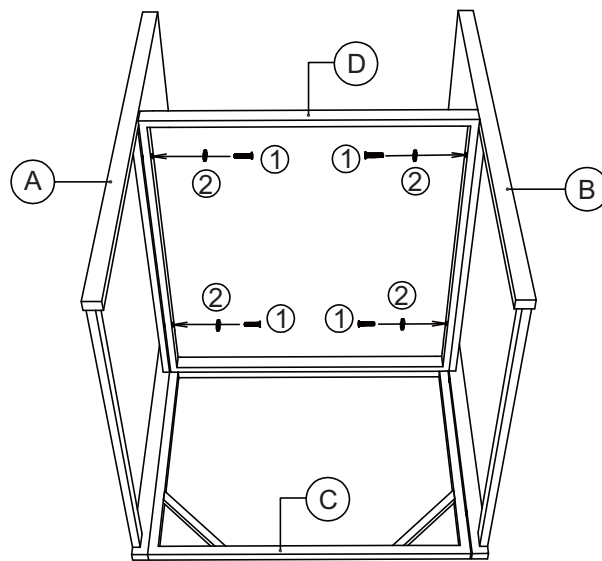
STEP 1:



x4

① *6 ② *6

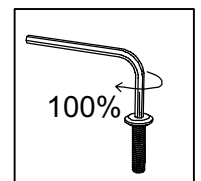
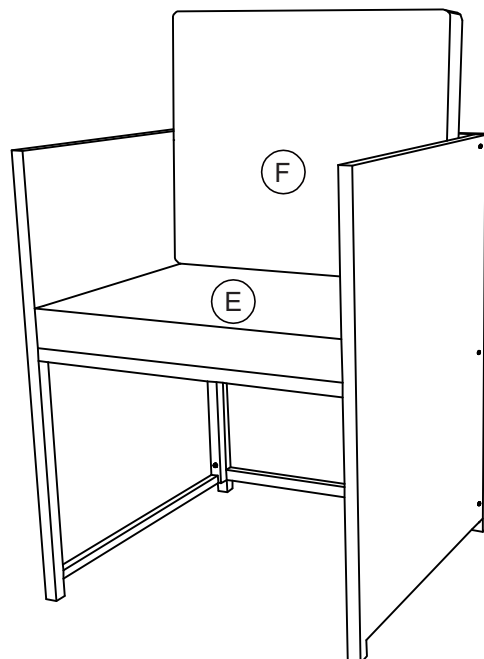
STEP 2:



x4

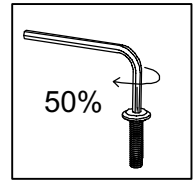
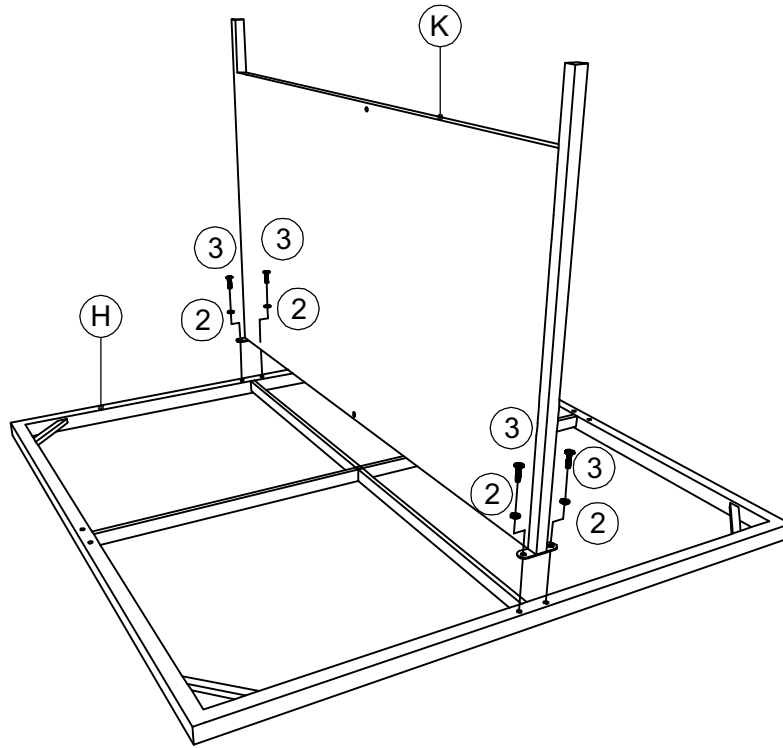
① *4 ② *4

STEP 3:



x4

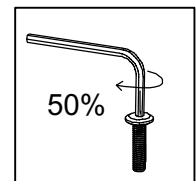
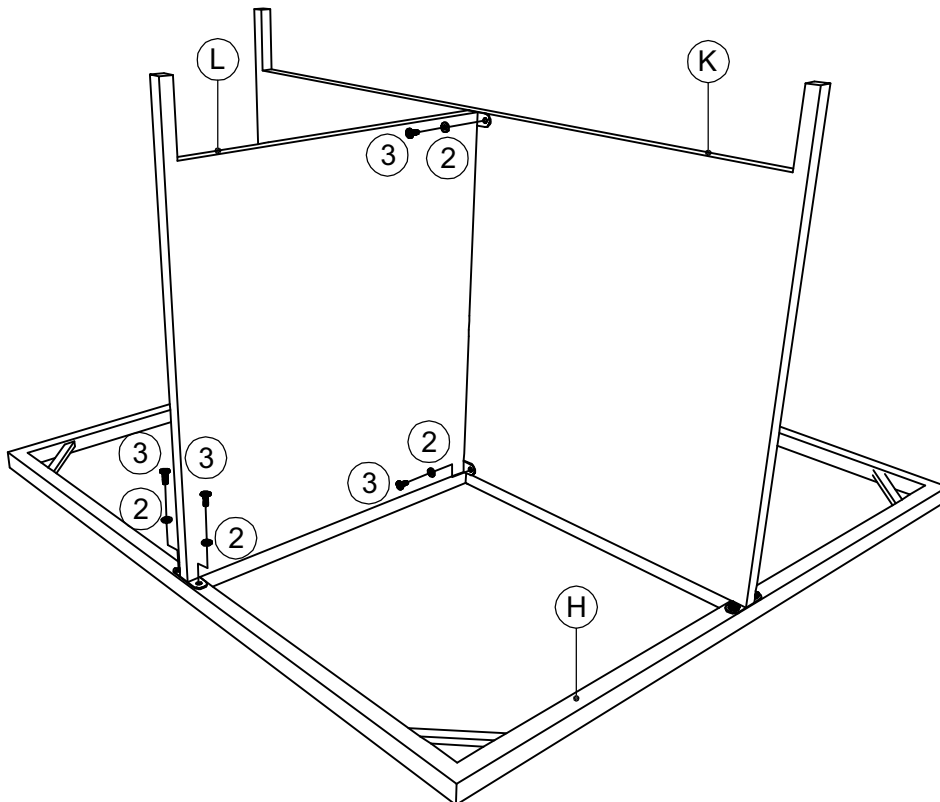
STEP 4:



x1

② *4 ③ *4

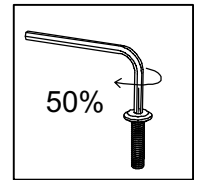
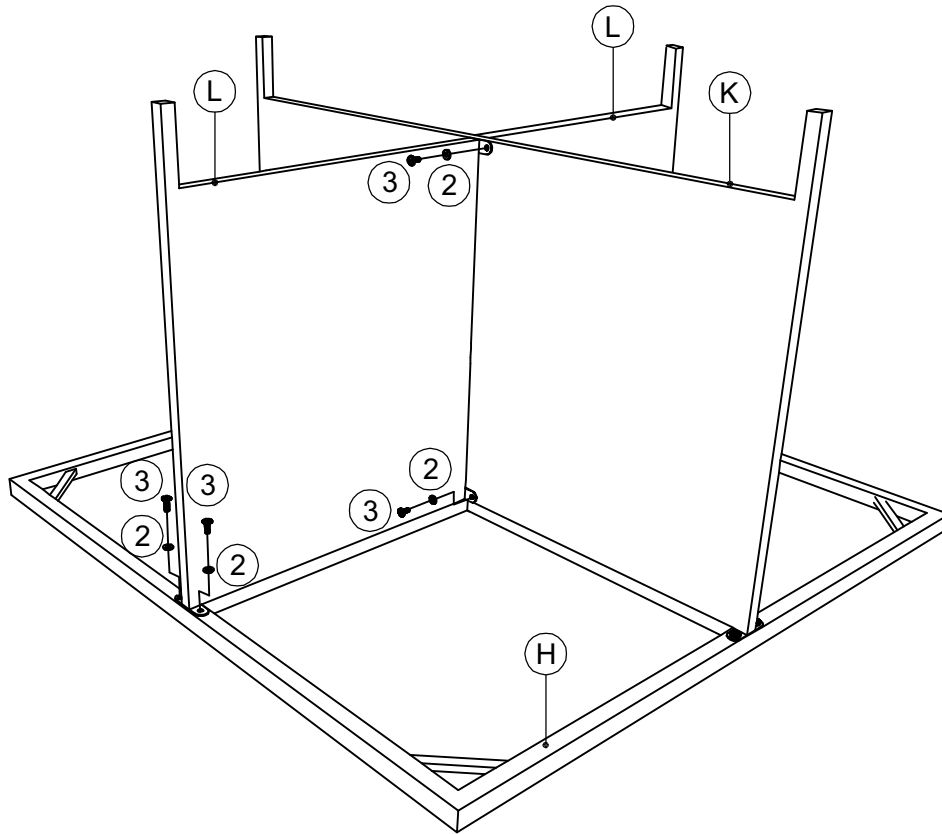
STEP 5:



x1

② *4 ③ *4

STEP 6:

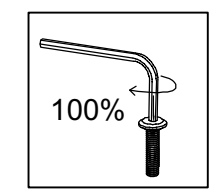
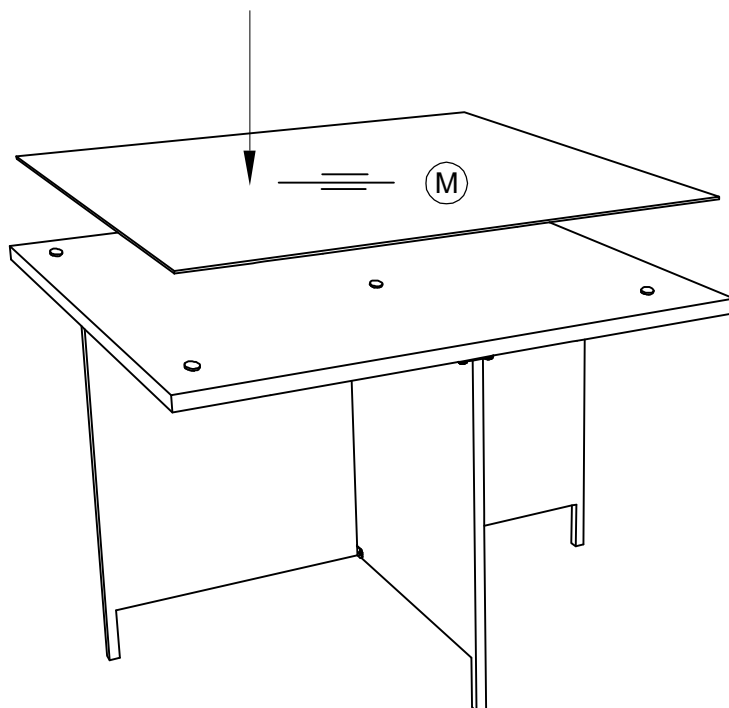


50%

x1

② *4 ③ *4

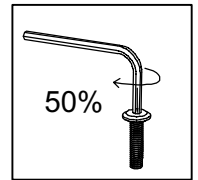
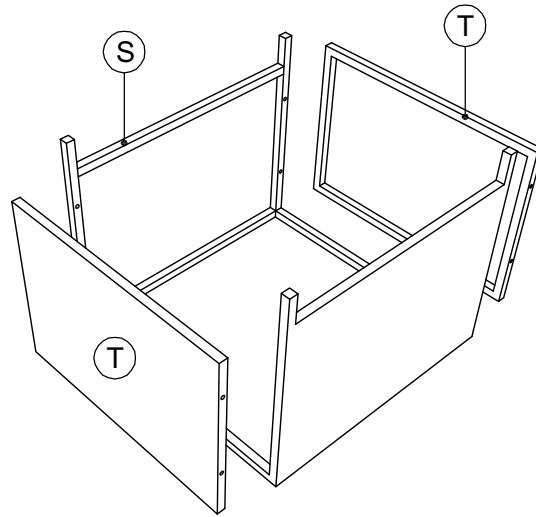
STEP 7:



100%

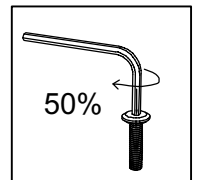
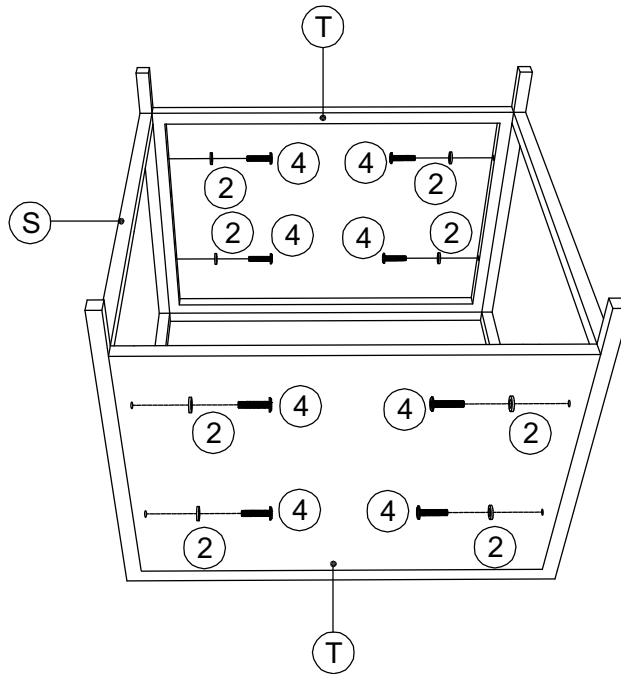
x1

STEP 8:



x4

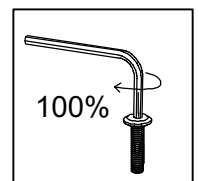
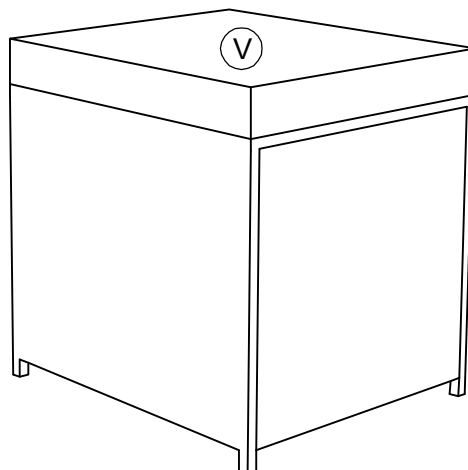
STEP 9:



x4

2 * 8 **4 * 8**

STEP 10:



x4