



Vented Range Hoods

Safety Instructions 2, 3

Operating Instructions

Fan Control 4

Light Control 4

Care and Cleaning

Grease Filters 5

Hood Lights 6

Stainless Steel Surfaces 5

Installation Instructions . . . 7-18

Troubleshooting Tips 19

Consumer Support

Consumer Support 24

Owner Registration 21, 22

Warranty 23

**Owner's Manual and
Installation Instructions**

JV936

JV966

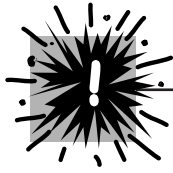
**Write the model and serial
numbers here:**

Model # _____

Serial # _____

You can find them on a label
on the inside of the hood.

IMPORTANT SAFETY INFORMATION. READ ALL INSTRUCTIONS BEFORE USING.



SAFETY PRECAUTIONS

⚠ WARNING — *TO REDUCE THE RISK OF FIRE, ELECTRIC SHOCK OR INJURY TO PERSONS, OBSERVE THE FOLLOWING:*

- A. Use this unit only in the manner intended by the manufacturer. If you have questions, contact the manufacturer.
- B. Before servicing or cleaning unit, switch power off at service panel and lock the service disconnecting means to prevent power from being switched on accidentally. When the service disconnecting means cannot be locked, securely fasten a prominent warning device, such as a tag, to the service panel.
- C. Do not use this unit with any solid-state speed control device.
- D. This unit must be grounded.

⚠ CAUTION — *For general ventilating use only. Do not use to exhaust hazardous or explosive materials and vapors.*

⚠ CAUTION — *To reduce risk of fire and to properly exhaust air, be sure to duct air outside. Do not vent exhaust air into spaces within walls or ceilings or into attics, crawl spaces or garages.*

⚠ WARNING — *TO REDUCE THE RISK OF INJURY TO PERSONS IN THE EVENT OF A RANGE TOP GREASE FIRE, OBSERVE THE FOLLOWING*:*

- A. SMOTHER FLAMES with a close-fitting lid, cookie sheet or metal tray, then turn off the burner. BE CAREFUL TO PREVENT BURNS. If the flames do not go out immediately, EVACUATE AND CALL THE FIRE DEPARTMENT.
- B. NEVER PICK UP A FLAMING PAN— You may be burned.
- C. DO NOT USE WATER, including wet dishcloths or towels—a violent steam explosion will result.
- D. Use an extinguisher ONLY if:
 1. You know you have a Class ABC extinguisher, and you already know how to operate it.
 2. The fire is small and contained in the area where it started.
 3. The fire department is being called.
 4. You can fight the fire with your back to an exit.

* Based on “[Kitchen Fire Safety Tips](#)” published by NFPA.



SAFETY PRECAUTIONS

⚠ WARNING — TO REDUCE THE RISK OF A RANGE TOP GREASE FIRE:

- A. Never leave surface units unattended at high settings. Boilovers cause smoking and greasy spillovers that may ignite. Heat oils slowly on low or medium settings.
- B. Always turn hood **ON** when cooking on high heat or when flambéing food (i.e. Crepes Suzette, Cherries Jubilee, Peppercorn Beef Flambé).
- C. Clean ventilating fans frequently. Grease should not be allowed to accumulate on fan or filter.
- D. Use proper pan size. Always use cookware appropriate for the size of the surface element.

⚠ WARNING — TO REDUCE THE RISK OF FIRE, ELECTRIC SHOCK OR INJURY TO PERSONS, OBSERVE THE FOLLOWING:

- A. Installation work and electrical wiring must be done by qualified person(s) in accordance with all applicable codes and standards, including fire-rated construction.
- B. Sufficient air is needed for proper combustion and exhausting of gases through the flue (chimney) of fuel burning equipment to prevent back drafting. Follow the heating equipment manufacturer's guidelines and safety standards such as those published by the National Fire Protection Association (NFPA), the American Society for Heating, Refrigeration and Air Conditioning Engineers (ASHRAE) and the local code authorities.
- C. When cutting or drilling into wall or ceiling, do not damage electrical wiring and other hidden utilities.
- D. Ducted fans must always be vented to the outdoors.

⚠ WARNING — TO REDUCE THE RISK OF FIRE, USE ONLY METAL DUCTWORK.

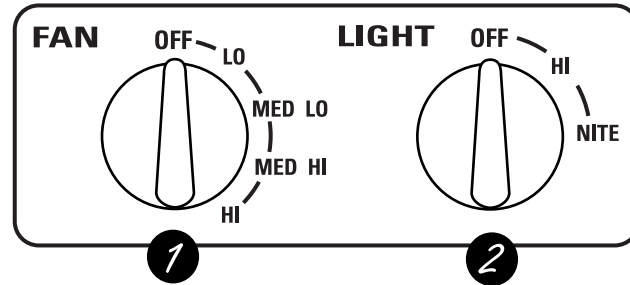
- Do not attempt to repair or replace any part of your hood unless it is specifically recommended in this manual. All other servicing should be referred to a qualified technician.



READ AND FOLLOW THIS SAFETY INFORMATION CAREFULLY.
READ AND SAVE THESE INSTRUCTIONS

Using the hood controls.

Throughout this manual, features and appearance may vary from your model.



1 FAN Control

Turn the **FAN** speed control to **LO**, **MED LO**, **MED HI** or **HI**, as needed.

Continuous use of the fan system while cooking helps keep the kitchen comfortable and less humid. It also reduces cooking odors and soiling moisture that create a frequent need for cleaning.

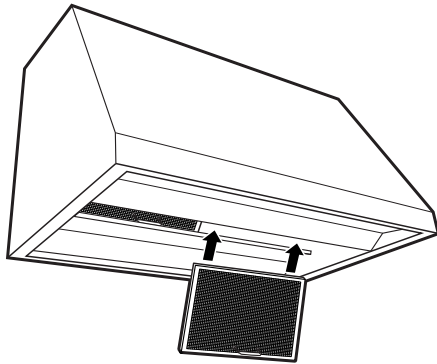
NOTE: When the fan is operating on the **LO** setting, it will be very quiet. Always make sure that the fan is turned **OFF** when you are finished in the kitchen.

2 LIGHT Control

Turn the **LIGHT** control to **HI** for bright light while cooking. Turn to **NITE** for use as a night light.

Care and cleaning of the vent hood.

Be sure electrical power is off and all surfaces are cool before cleaning or servicing any part of the vent hood.



Reusable Metal Grease Filters

The hood has 2 metal reusable grease filters.

The metal filters trap grease released by foods on the cooktop. They also help prevent flaming foods on the cooktop from damaging the inside of the hood.

For this reason, the filters must **ALWAYS** be in place when the hood is used. The grease filters should be cleaned once a month, or as needed.

To clean the grease filters, soak them and then swish them around in hot water and detergent. Don't use ammonia or ammonia products because they will darken the metal. Do not use abrasives or oven cleaners. Light brushing can be used to remove embedded dirt. Rinse, shake and let them dry before replacing.

To remove:

Grasp the filter handle and pull it up, forward and out.

To replace:

- 1 Hold the filter at the bottom with the handle.
- 2 Place the top end of the filter against the inside front of the hood.
- 3 Slide it up until it stops and push the bottom end back until it snaps into place.

Stainless Steel Surfaces

Do not use a steel wool pad; it will scratch the surface.

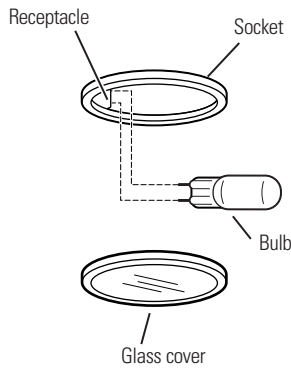
To clean the stainless steel surface, use warm sudsy water or a stainless steel cleaner or polish. Always wipe the surface in the direction of the grain. Follow the cleaner instructions for cleaning the stainless steel surface.

To inquire about purchasing stainless steel appliance cleaner or polish, or to find the location of a dealer nearest you, please call our toll-free number:

National Parts Center
800.626.2002
GEAppliances.com

Care and cleaning of the vent hood.

Be sure electrical power is off and all surfaces are cool before cleaning or servicing any part of the vent hood.



Hood Lights

NOTE: The glass cover should be removed only when cold. Wearing latex gloves may offer a better grip.

CAUTION: Before replacing your light bulb, disconnect the electrical power to the hood at the main fuse or circuit breaker panel.

Be sure to let the light cover and bulb cool completely.

For your safety, do not touch a hot bulb with bare hands or a damp cloth.

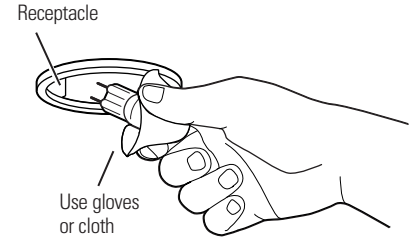
To remove:

- 1 Turn the glass cover counterclockwise until the glass cover clears the socket.
- 2 Using gloves or a dry cloth, remove the bulb by pulling it straight out.

To replace:

- 1 Use a new 12-volt, 20-watt (maximum) Halogen bulb for a G-4 base.
- 2 Using gloves or a dry cloth, remove the new bulb from its packaging.

NOTE: Do not touch the new halogen bulb with bare fingers. Touching the bulb with bare fingers will significantly reduce the life of the bulb.



- 3 Push the bulb straight into the receptacle all the way.
- 4 Place the glass cover onto the socket and turn clockwise until secure.

For improved lighting, clean the glass cover frequently using a damp cloth. This should be done when the hood is completely cool.

- 5 Reconnect electrical power to the hood.

Installation Instructions

Range Hoods

Questions? Call 800.GE.CARES (800.432.2737) or Visit our Website at: GEAppliances.com

BEFORE YOU BEGIN

Read these instructions completely and carefully.

- **IMPORTANT** – Save these instructions for local inspector's use.
- **IMPORTANT** – Observe all governing codes and ordinances.
- **Note to Installer** – Be sure to leave these instructions with the Consumer.
- **Note to Consumer** – Keep these instructions for future reference.
- **Skill Level** – Installation of this vent hood requires basic mechanical and electrical skills.
- **Completion time** – 1 to 3 hours.
- Proper installation is the responsibility of the installer.
- Product failure due to improper installation is not covered under the Warranty.

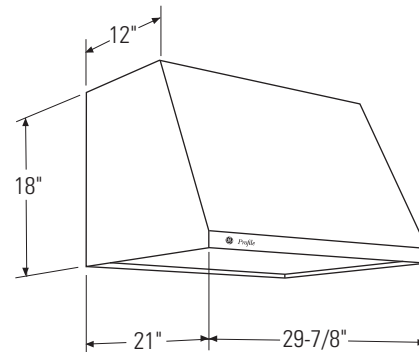
⚠ CAUTION:

Due to the weight and size of these vent hoods and to reduce the risk of personal injury or damage to the product, **TWO PEOPLE ARE REQUIRED FOR PROPER INSTALLATION.**

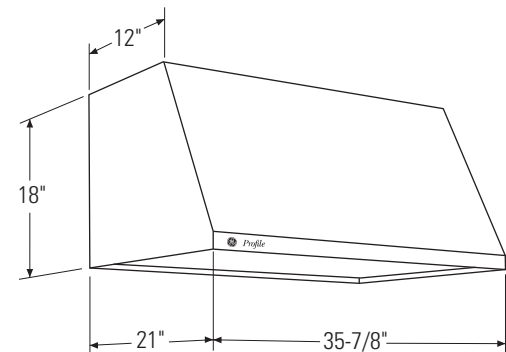
FOR YOUR SAFETY:

Before beginning the installation, switch power off at service panel and lock the service disconnecting means to prevent power from being switched on accidentally. When the service disconnecting means cannot be locked, securely fasten a prominent warning device, such as a tag, to the service panel.

PRODUCT DIMENSIONS



30" Models
Requires a 30" Wide Opening



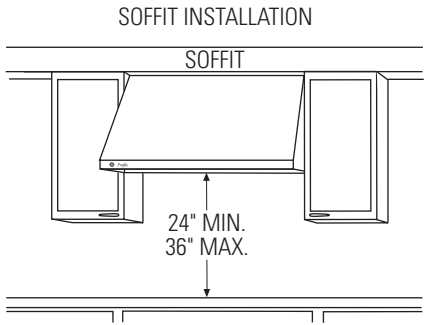
36" Models
Requires a 36" Wide Opening

Installation Instructions

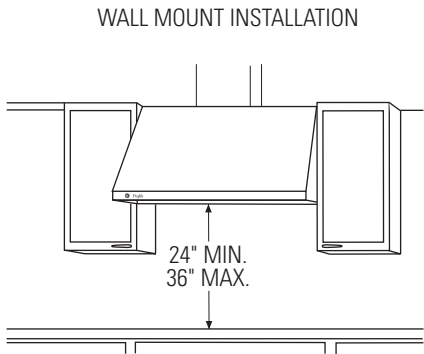
INSTALLATION CLEARANCES

These vent hoods are designed to be installed onto a wall. They may be installed beneath a soffit or cabinet.

- Install these hoods 24" Min. to 36" Max. above the cooking surface.



In this installation the ductwork running from the top of the hood will be concealed in the soffit or upper cabinetry.



For this installation, a decorative duct cover is available to conceal the ductwork running from the top of the hood. Use of the duct cover requires special consideration to the installation height above the countertop. See page 12 for details.

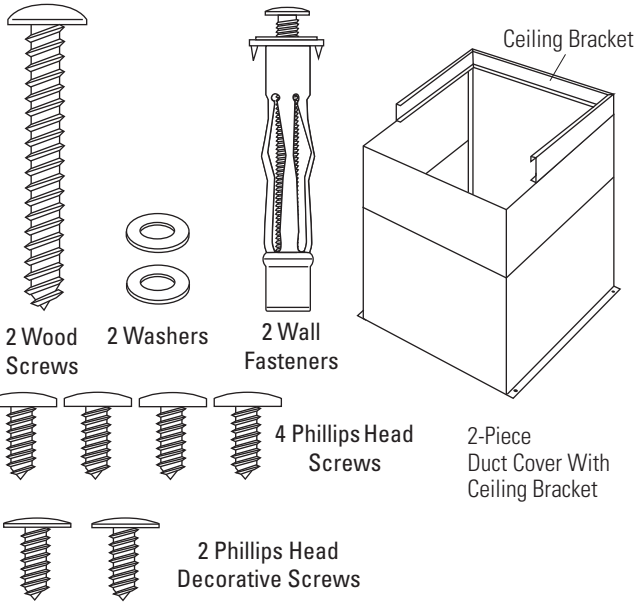
OPTIONAL ACCESSORIES

Duct Cover

A Decorative duct cover is available to accommodate 8 to 10 ft. ceiling heights. The duct cover will expand from 12" Min. or 24" to 34" Max. height.

- The duct cover conceals the ductwork running from the top of the hood to the ceiling.
- The duct cover accessory fits both 30" and 36" wide models. Order the duct cover accessory at the same time as the vent hood. All accessories should be on site at the time of hood installation.

Order **JXCHSS**.



Installation Instructions

ADVANCE PLANNING

Ductwork Planning

- This hood may be vented vertically through upper cabinets, soffit or ceiling. A duct transition piece is supplied for vertical exhaust. Use locally supplied elbows to vent horizontally through the rear wall. See page 13.
- Determine the exact location of the vent hood.
- Plan the route for venting exhaust to the outdoors.
- Use the shortest and straightest duct route possible. For satisfactory performance, duct run should not exceed 100 equivalent length for any duct configurations.
- Refer to “Duct Fittings” chart to compute the maximum permissible length for duct runs to the outdoors.
- Use metal ductwork only.
- A transition piece for 7” round duct is supplied. Use 7” round duct or you may use 3-1/4” x 12” rectangular.
- Install a wall cap or roof cap with damper at the exterior opening. Order the wall or roof cap and any transition needed in advance.

Kit – JXDW1

Order kit JXDW1 if your installation requires horizontal ducting from the top of the hood through the back wall and:

- You have an 8 ft. ceiling and need to use a JXCH Series Chimney Cover, or
- You have a 12” cabinet or 12” soffit that the hood is to be mounted beneath.

This kit provides a duct transition from 7” round to 3¼” x 10” rectangular for through-the-wall venting.

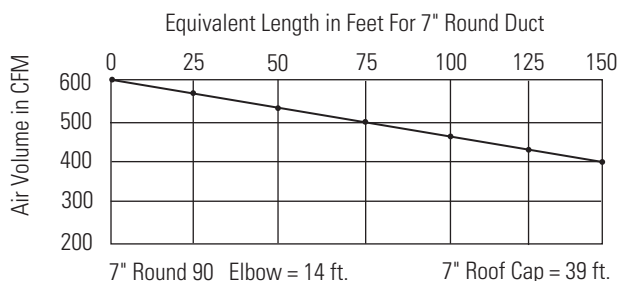
Wall Framing for Adequate Support

- This vent hood is heavy. Adequate structural support must be provided. The hood must be secured to vertical studs in the wall. See page 14.
- We strongly recommend that the vent hood with duct cover be on site before final framing and wall finishing. This will also help to accurately locate the ductwork and electrical service.

DUCT FITTINGS

Follow these guidelines for proper duct sizing in the ducting charts.

DUCTING CHART - 30" and 36" Models



MAXIMUM DUCT LENGTH: 7" dia. duct, should not exceed 100 equivalent feet.

DECORATIVE DUCT COVERS

A decorative duct cover is available to fit both model widths. The duct cover conceals the ductwork running from the top of the hood to the ceiling or soffit. The duct cover will fit 8 ft. to 10 ft. ceiling heights. See page 12 for details.

POWER SUPPLY

IMPORTANT – (Please read carefully)

⚠WARNING:

FOR PERSONAL SAFETY, THIS APPLIANCE MUST BE PROPERLY GROUNDED.

Remove house fuse or open circuit breaker before beginning installation.

Do not use an extension cord or adapter plug with this appliance. Follow National electrical codes or prevailing local codes and ordinances.

Electrical supply

This vent hood must be supplied with 120V, 60Hz, and connected to an individual, properly grounded branch circuit, and protected by a 15 or 20 amp circuit breaker or time delay fuse.

- Wiring must be 2 wire with ground.
- If the electrical supply does not meet the above requirements, call a licensed electrician before proceeding.
- Route house wiring as close to the installation location as possible in the ceiling, soffit or wall. See page 13 for details.
- Connect the wiring to the house wiring in accordance with local codes.

Grounding instructions

The grounding conductor must be connected to a ground metal, permanent wiring system, or an equipment-grounding terminal or lead on the hood.

⚠WARNING: The improper connection of the equipment-grounding conductor can result in a risk of electric shock. Check with a qualified electrician or service representative if you are in doubt whether the appliance is properly grounded.

Installation Instructions

DUCT FITTINGS

Use this chart to compute maximum permissible lengths for duct runs to outdoors.

Note: Do not exceed maximum permissible equivalent lengths!

**Maximum duct length:
100 foot for vent hoods.**

Flexible ducting:

If flexible metal ducting is used, all the equivalent feet values in the table should be doubled. The flexible metal duct should be straight and smooth and extended as much as possible.

Do NOT use flexible plastic ducting.

Note: Any home ventilation system, such as a ventilation hood, may interrupt the proper flow of combustion air and exhaust required by fireplaces, gas furnaces, gas water heaters and other naturally vented systems. To minimize the chance of interruption of such naturally vented systems, follow the heating equipment manufacturer's guidelines and safety standards such as those published by NFPA and ASHRAE.

This Hood Must Use 7" Round Duct. It Can Transition To 3-1/4" x 12" Duct





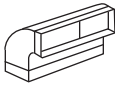
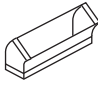

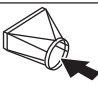



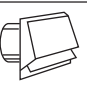
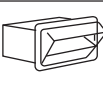

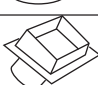
Kit – JXDW1

Order kit JXDW1 if your installation requires horizontal ducting from the top of the hood through the back wall and:

- You have an 8 ft. ceiling and need to use a JXCH Series Chimney Cover, or
- You have a 12" cabinet or 12" soffit that the hood is to be mounted beneath.

This kit provides a duct transition from 7" round to 3/4" x 10" rectangular for through-the-wall venting.

Using a smaller diameter duct size will reduce performance

Duct Piece	Dimensions	Equivalent Length*	Quantity Used	Total Equivalent Length
	7" Round, straight	1 ft. (per foot length)		
	3-1/4" x 12" straight	1 ft. (per foot length)		
	7" 90° elbow	14 ft.		
	7" 45° elbow	9 ft.		
	3-1/4" x 12" 90° elbow	15 ft.		
	3-1/4" x 12" 45° elbow	9 ft.		
	3-1/4" x 12" 90° flat elbow	36 ft.		
	7" round to 3-1/4" x 12" transition	1 ft.		
	3-1/4" x 12" to 7" round transition	1 ft.		
	7" round to 3-1/4" x 12" transition 90° elbow	4 ft.		
	3-1/4" x 12" to 7" round transition 90° elbow	4 ft.		
	7" Round wall cap with damper	28 ft. (21 ft. without damper)		
	3-1/4" x 12" wall cap with damper	26 ft. (19 ft. without damper)		
	7" Round roof cap	39 ft.		
	Round roof vent	24 ft.		

*Actual length of straight duct plus duct fitting equivalent. Equivalent length of duct pieces are based on actual tests conducted by GE Evaluation Engineering and reflect requirements for good venting performance with any ventilation hood.

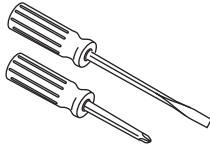
Total Duct Run _____

Installation Instructions

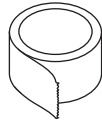
TOOLS AND MATERIALS REQUIRED (NOT SUPPLIED)



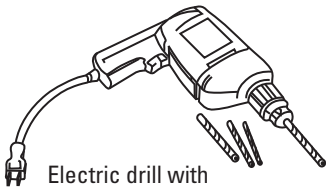
Pencil and
tape measure



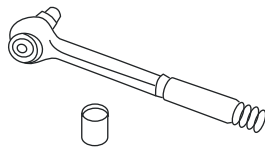
Phillips and
Flat blade screwdrivers



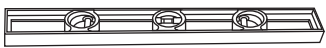
Duct tape



Electric drill with
1/8" and 3/8" bits



1/4" pivoting hex socket



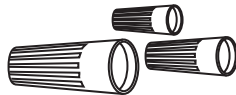
Spirit level



Safety glasses



Flashlight



UL Listed Wire nuts



Pliers



Hammer



Tin Snips



Wire Cutter/
Stripper



Saber saw or Key Hole Saw



Ladder



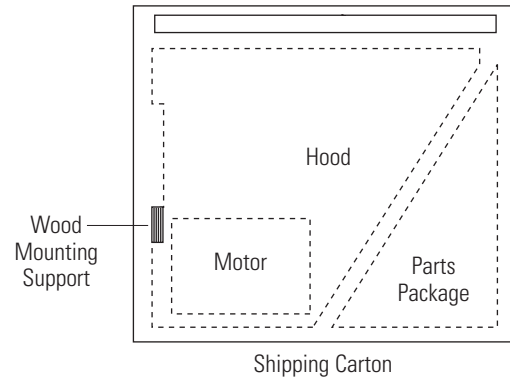
Allen
Wrench

Additional Materials:

- 120V 60Hz. 15 or 20 Amp, 2 wire with ground. Properly grounded branch circuit.
- Strain relief for junction box.
- 7" round metal duct, 3-1/4" x 10" rectangular duct or 3-1/4" x 12" rectangular duct length to suit installation.

REMOVE THE PACKAGING

- Remove the small box housing the motor.
- Lift the hood out of the box.

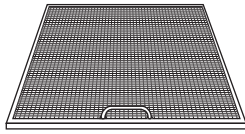


- Remove shipping screws holding the wood mounting piece to the back side of the hood. **Set aside wood mounting piece and screws for later installation. Do not discard.**
- Remove the "V" shaped carton insert.
- Remove parts package from the "V" shaped cardboard insert.
- Remove junction box cover and knockout.
- Install strain relief onto back or top of hood.
- Remove all tape and packing material from the hood, duct transition and motor.

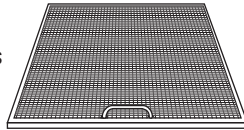
Installation Instructions

PARTS PROVIDED

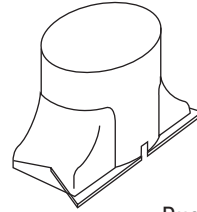
Locate the hardware accessory box packed with the hood and check contents.



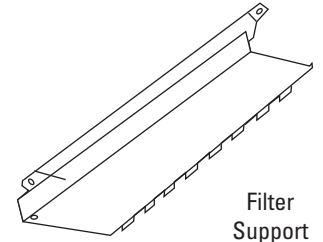
2 Aluminum Grease Filters



Screws, wall fasteners, washers



Duct Transition with Damper



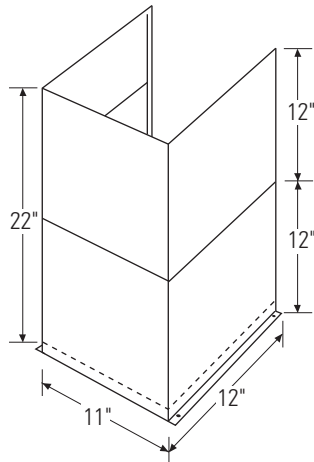
Filter Support

DUCT COVER REQUIREMENTS

We recommend that the vent hood and decorative duct cover (if used) be on site before final framing and wall finishing. This will help to accurately locate studs, ductwork and electrical service. Read these instructions to determine if the duct cover accessory can be used for your installation situation.

Duct Cover Accessory:

- Use the decorative duct cover to conceal ductwork running from the top of the hood to the ceiling.
- The duct cover accessory consists of 2 pieces. The outside piece is 12" high, the inside piece is 22". Nested together they are 24" min., expanding to a total maximum height of 34".
- The outside piece can be used alone to fill a 12" height.
- For heights over 12", the ceiling bracket must be installed to secure the cover at the top.



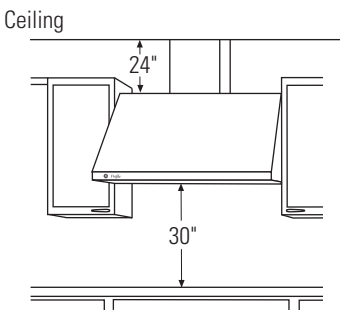
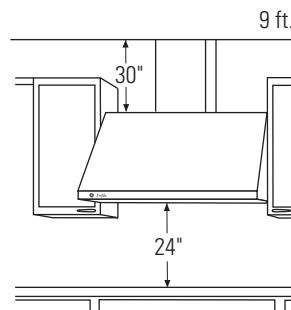
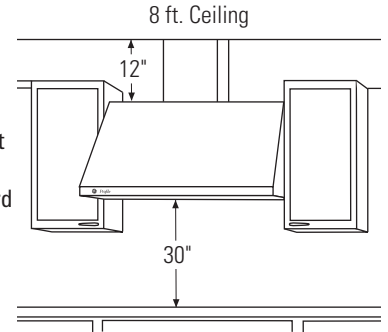
To avoid unsightly gaps, plan the hood installation height for duct cover use.

- The cover will fit a 12" min. height from the top of the hood to the ceiling, or 24" min. and expanding up to 34" from the top of the hood to the ceiling.

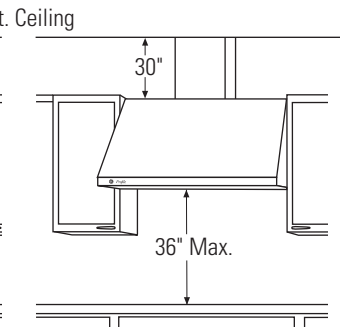
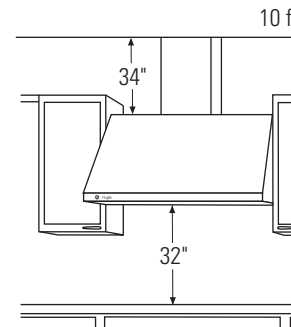
THE DUCT COVER CANNOT BE USED WHEN THE DISTANCE ABOVE THE TOP OF THE HOOD IS BETWEEN 12" AND 24".

Review the following examples to ensure a trouble free installation using the duct cover accessory.

8 ft. Ceilings: The hood must be installed at 30" above the cooking surface (or 66" above the floor). The duct cover will not fit if the hood is installed at a lower or higher height. Use the outside 12" section, discard the inside section.



9 ft. Ceilings: Install the hood 24" min. and up to a maximum of 30" above the cooking surface. The duct cover will expand to reach ceiling height.



10 ft. Ceilings: Install the hood 32" min. to 36" max. above the cooking surface. The duct cover will expand to a maximum of 34" above the top of the hood to meet the ceiling.

Installation Instructions

DETERMINE HOOD, DUCTWORK AND WIRING LOCATIONS

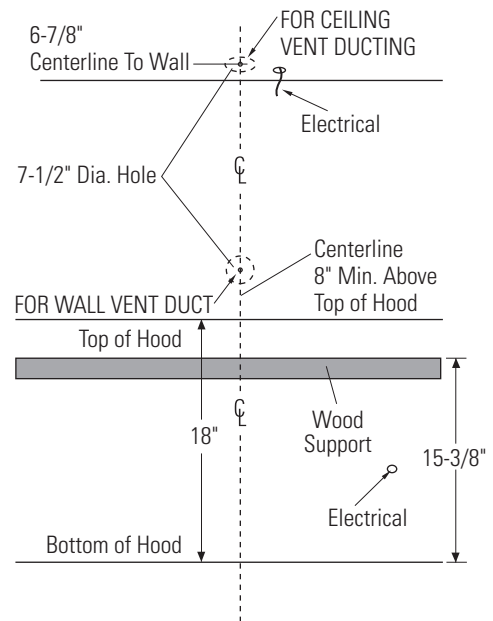
- Keep the wood support piece and its screws for later installation. Do not discard.
- Measure desired distance from the bottom of the hood to the cooking surface, 24" min. to 36" Max. Refer to the previous page if the accessory duct cover will be used.
- Use a level to draw a horizontal line indicating the bottom of the hood.
- Use a level to draw the cooktop centerline location.
- Measure 15-3/8" up from the horizontal line for the bottom of the hood. Draw another horizontal line.
- Measure 18" up from the line for the bottom of the hood, draw another horizontal line to indicate the top of the hood.

FOR VERTICAL (Straight Up) DUCTING:

- If venting out the ceiling, extend the centerline forward on the ceiling.
 - Measure 6-7/8" from drywall to mark centerline for a 7-1/2" dia. duct hole on the ceiling.
 - If drywall is not present, add drywall thickness to the 6-7/8" dimension.

Venting through a soffit or upper cabinet.

- Follow the same procedure for ceiling ducting to cut the 7-1/2" dia. hole through the top of the cabinet or soffit.
- See Step 4, page 15 for details to cut opening for duct transition.



FOR DUCTING THROUGH REAR WALL:

- Measure the supplied duct transition with any straight run length of duct used, plus 90° elbow height. Draw a horizontal line on the wall intersecting the centerline.

House Wiring Location:

- The junction box is fastened to the back of the hood on the right side. See illustrations for hood knockout locations.

Note: The junction box can be relocated to the inside top of the hood.

House wiring may enter the junction box from the rear or the top of the hood at the right side.

To route house wiring through the ceiling or soffit:

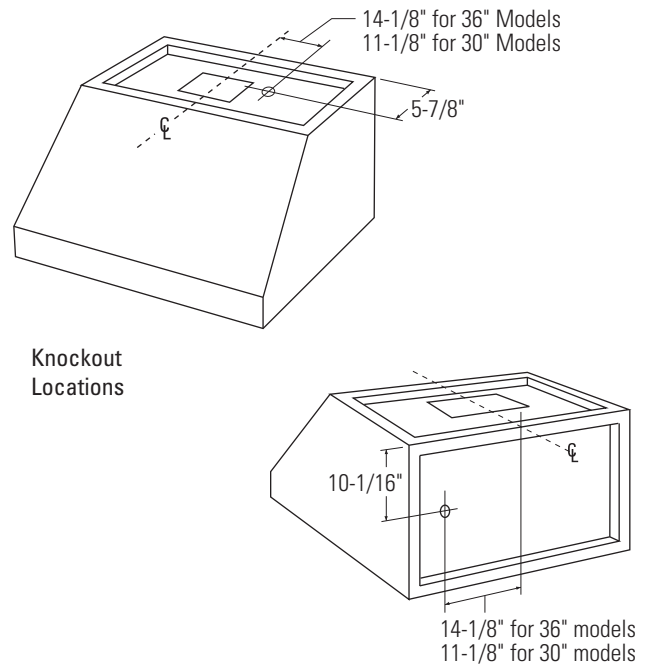
- Cut a hole approximately 1" dia., 5-7/8" forward on the ceiling, 11-1/8" to the right of the centerline for 30" models or 14-1/8" to the right of the centerline for 36" models.

To route house wiring through the wall:

- Cut a hole approximately 1" dia., 10-1/16" down from the top of the hood, 11-1/8" to the right of the centerline for 30" models or 14-1/8" to the right of the centerline for 36" models.

- Remove top or rear knockout depending on your installation.

- Install strain relief onto back or top of hood.

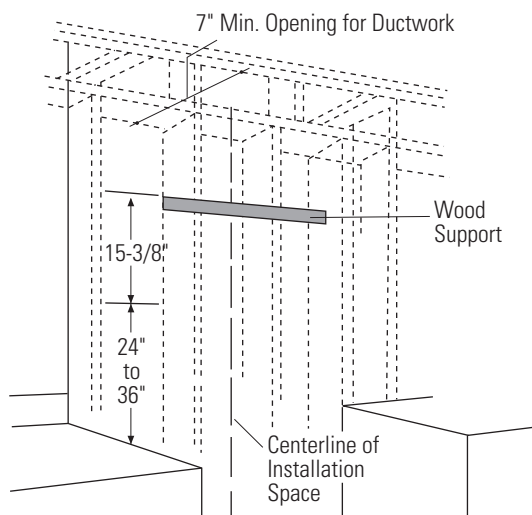


Installation Instructions

1 INSTALL HOOD SUPPORT

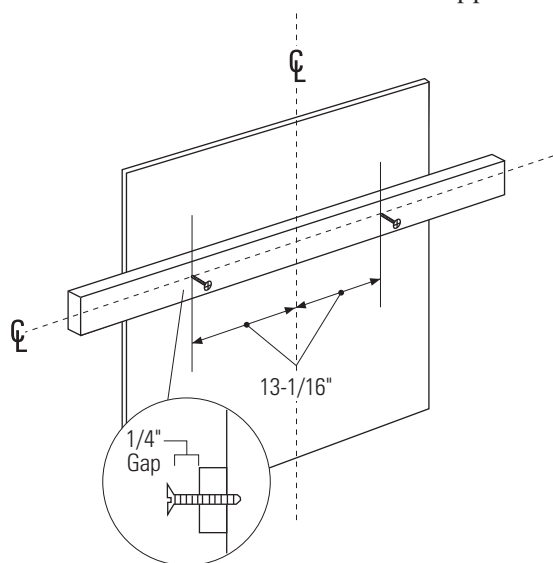
IMPORTANT: Framing must be capable of supporting 100 lbs.

- Locate at least 2 vertical studs at the wood mounting location by tapping drywall with a hammer or use a stud finder
- Center the supplied wood horizontal support, left to right and below the marked line.



- Drill 1/8" pilot holes through the support, drywall and into the studs. Secure the support to 2 or more vertical studs with supplied wood screws.

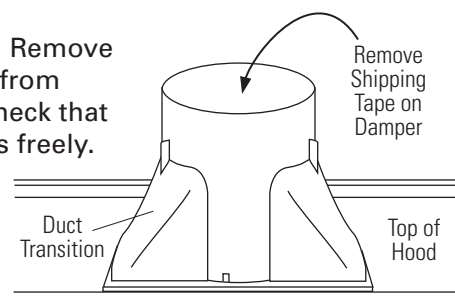
IMPORTANT: Screws must penetrate at least 1-1/2" into vertical studs. Countersink screws into support.



- Install mounting screws in the center of the wood support, 13-1/16" from the centerline. The screws should protrude forward 1/4". This 1/4" gap will provide clearance to hang the hood.

2 INSTALL TRANSITION

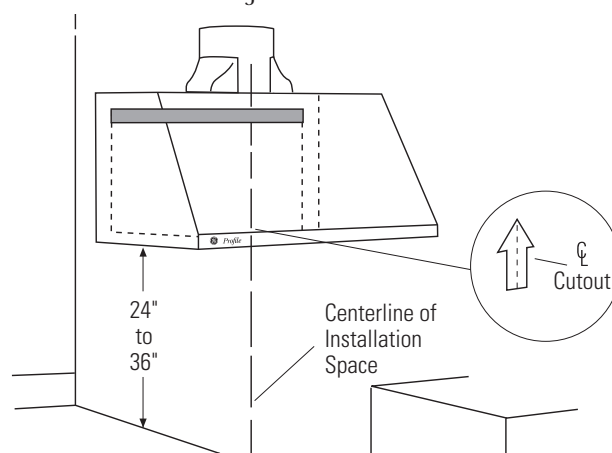
IMPORTANT: Remove shipping tape from damper and check that damper moves freely.



- Place the transition piece over the hood exhaust. Secure transition to hood with 4 screws provided.
- Use duct tape to seal the connection.

3 INSTALL HOOD ONTO WALL

- Lift the hood and place over the wood support. The top keyhole slots in the hood should engage the protruding mounting screws. Allow the hood to slide down into position.
- Pull house wiring through knockout at the rear or the top of the hood.
- Check to be sure the hood is level and centered. The arrow shaped cutout in the back of the hood allows viewing the marked centerline.
- Remove cover from junction box.



Drill Bottom Mounting Hole Locations

- Drill 1/8" pilot holes into the two lower mounting holes. Enlarge the holes if they did not enter studs to 3/8". Tap anchors for wall fasteners into bottom holes. Install screws by hand into the fasteners to allow anchors to expand against the wall. Remove screws.
- Using two large flat washers (supplied), install wood screws or wall fastener screws, loosely into lower mounting holes. Do not tighten.
- Check hood level. Tighten upper screws. Tighten lower mounting screws.
- For additional security, drive screws through the original wood support screw holes in the back of the hood.

Installation Instructions

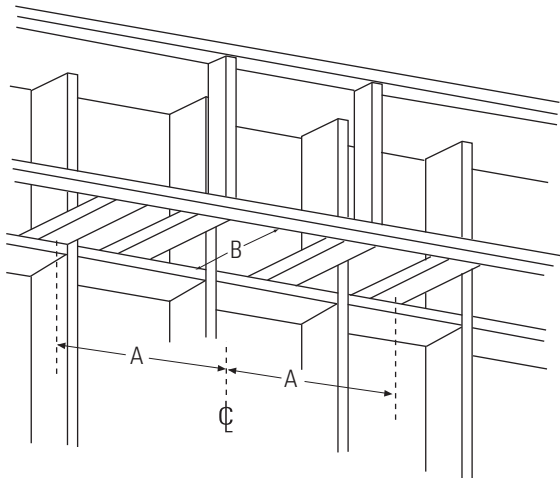
4 Alternate Mounting Method INSTALL HOOD TO SOFFIT OR BENEATH CABINETS

SKIP THIS STEP IF USING WALL MOUNTING METHOD

IMPORTANT: Soffit framing must be capable of supporting 100 lbs.

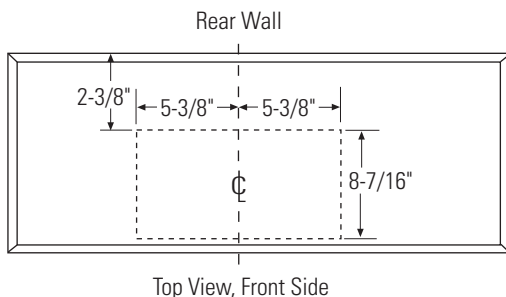
When necessary, the hood may be installed so that it is supported by the soffit.

- The soffit should be constructed with 2 x 4's.
- Determine the installation location.
- Continue the centerline forward on the bottom of the cabinet or soffit.



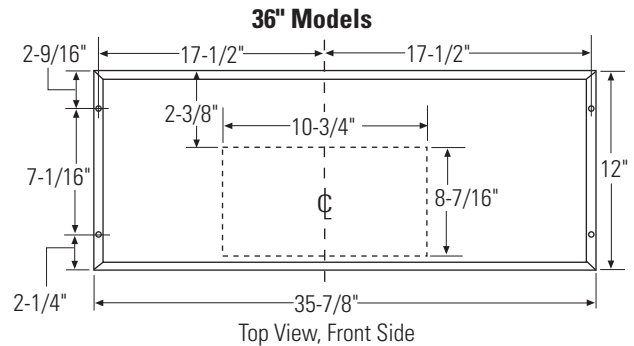
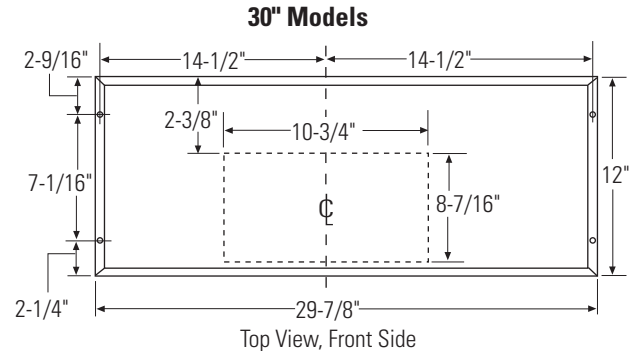
	"A" Centerline to Center of Stud	"B" Opening For Ductwork
30" Models	14-1/2"	10-3/4"W x 8-7/16"D
36" Models	17-1/2"	10-3/4"W x 8-7/16"D

- Mounting screws must be secured to 2 x 4 studs (Dim. "A") at locations shown in the above chart.
- Allow minimum opening (Dim. "B") to accommodate the duct transition in the soffit.

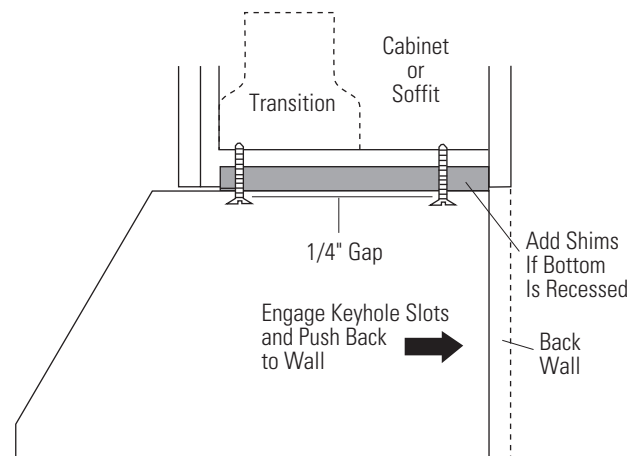


Cut a 10-3/4" x 8-7/16" hole through bottom of soffit or cabinet for duct transition as shown.

IMPORTANT: For additional support and to minimize vibration during operation, we strongly recommend that the hood also be secured to the back wall with wall fasteners.



- Drill four 1/8" pilot holes in locations shown.
- If mounting to the underside of a cabinet with a recessed bottom, install shims to fill the gap.



- Drive mounting screws into the studs until they protrude 1/4". This 1/4" gap will provide clearance to engage the keyhole slots in the top of the hood.
- Lift hood onto mounting screws. Slide back against the rear wall.
- Pull house wiring through the knockout at the rear or the top of the hood.
- Tighten mounting screws.

Installation Instructions

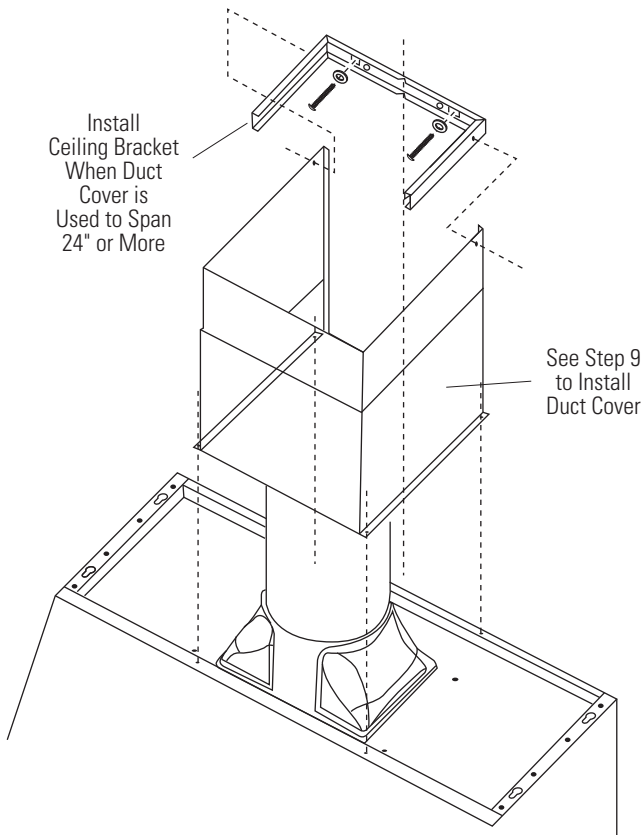
5 INSTALL CEILING BRACKET

The ceiling bracket must be installed when the duct cover is used to span 24" or more height above the hood. The bracket will hold the decorative duct cover in place at the top.

Note: The ceiling bracket is not required when using only the 12" section of the duct cover.

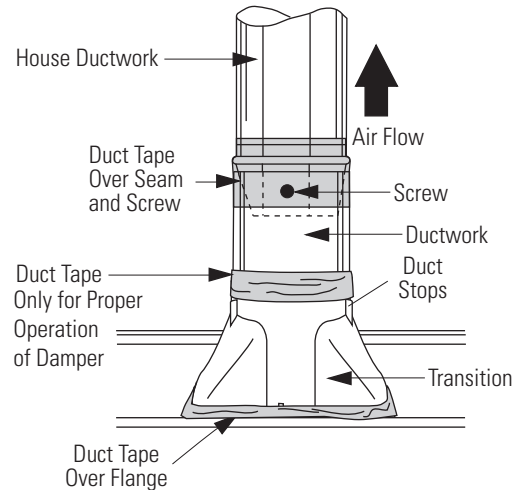
- Install the 2 small screws into the sides of the duct bracket. Remove the screws. Pre-tapping the holes will insure ease of final installation.
- Match center notch on the bracket to the centerline on the wall and flush against the ceiling.
- Mark the 2 screw hole locations.
- Drill 1/8" pilot holes in marked bracket location.
- If pilot holes do not enter studs, enlarge the holes to 3/8" and install wall fastener anchors.
- Secure the bracket to the rear wall with wood screws and washers. Use wall anchors if needed.

Note: Bracket has 2 sets of holes. Use larger holes for wall fasteners or wood screws with washers. Use smaller holes for wood screws with washers.



6 CONNECT DUCTWORK

- Push duct over the end of the transition until it reaches the stop tabs.
- Install ductwork, making connections in direction of airflow as illustrated.
- Secure joints in ductwork with sheetmetal screws.
- Wrap all duct joints with duct tape for an airtight seal.
- Use duct tape to seal the flange connection.

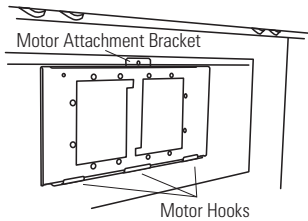


CAUTION: Do not use sheet metal screws at the transition to ductwork connection. Doing so will prevent proper damper operations. Seal connection with tape only.

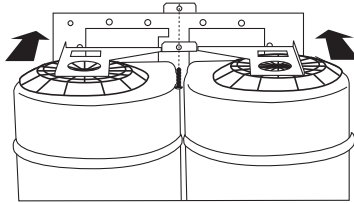
Installation Instructions

7 INSTALL MOTOR

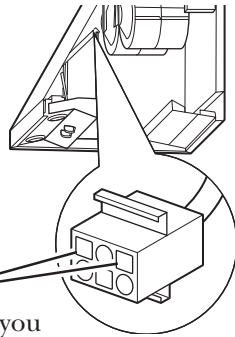
- Align and engage the slots in the blower assembly to the 3 hooks at the rear of the exhaust opening.



- Rotate motor upwards until it aligns with the attachment screw location.
- Secure the motor to attachment bracket at the front of the opening with washer and screw provided.



- Plug the motor connector into the mating hood connector. See the illustration for the hood connector location. Touch the hood to locate and make the connection.



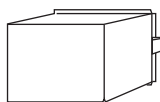
IMPORTANT: Hold the connector so the two square corner terminals are at the top as you position the connector to plug it in.

8 CONNECT ELECTRICAL

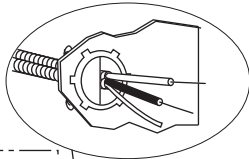
Verify that power is turned off at the source.

WARNING: If house wiring is not 2-wire with a ground wire, a ground must be provided by the installer. When house wiring is aluminum, be sure to use U.L. approved anti-oxidant compound and aluminum-to-copper connectors.

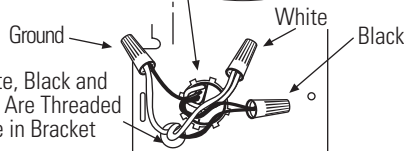
A Remove Junction Box Cover



C Insert Power Conduit Thru Strain Relief and Tighten



B Check That White, Black and Green Hood Wires Are Threaded Thru Small Hole in Bracket



D Use UL Listed Wire Nuts

- Use wire nuts to connect incoming ground to green, white to white and black to black.
- Push wires into junction box and replace cover. Be sure wires are not pinched.

9 INSTALL DUCT COVERS

To install the 12" duct cover alone:

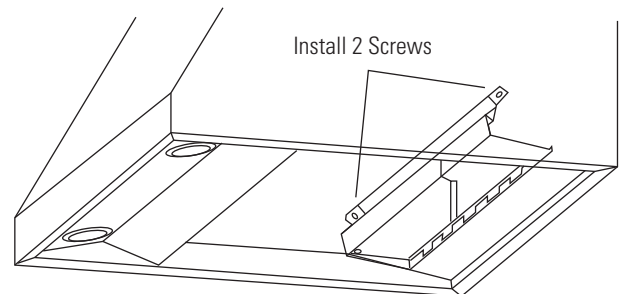
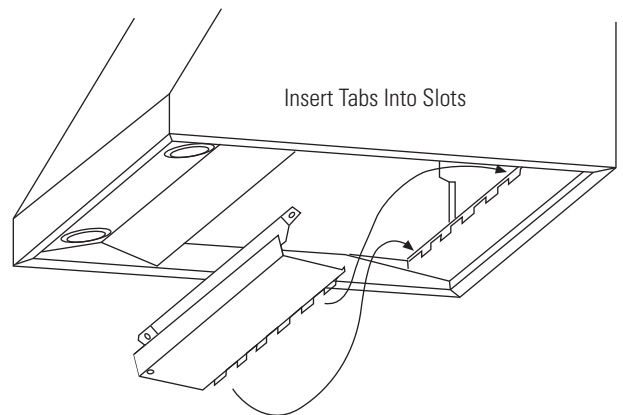
- Place the 12" section of the decorative duct cover on top of the hood.
- Secure the cover to the top of the hood with 4 screws provided.

To install the 2-piece duct cover:

- Place the 2-piece duct cover on top of the hood.
- Secure the bottom cover to the top of the hood with 4 screws provided. See illustration, page 16.
- Extend the inside section upwards to meet the ceiling and ceiling bracket.
- Secure the duct cover to the bracket with the 2 small Phillips screws provided.

10 INSTALL FILTER SUPPORT

- Tip filter support into the rear of the hood.
- Insert support tabs into the slots at the rear of the hood.

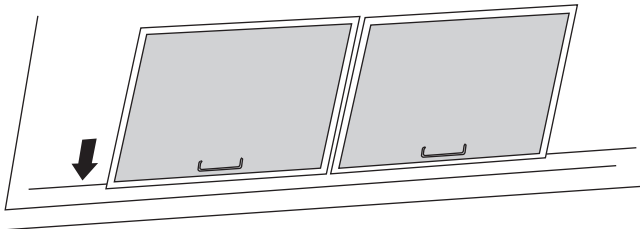
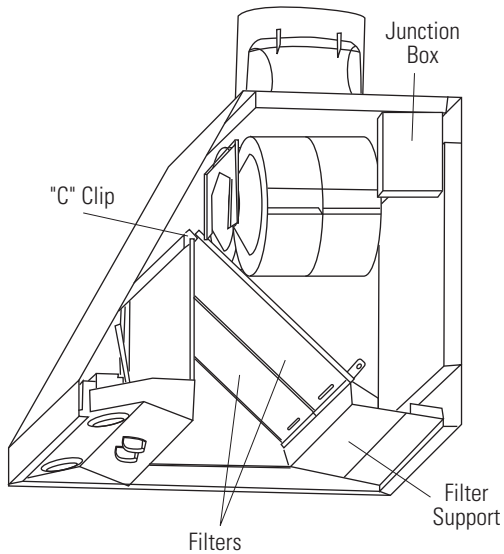


- Secure the support to the hood with screws as shown.

Installation Instructions

11 INSTALL FILTERS

- Remove protective film covering the filters.
- Insert the filter into the “C” clips mounted to the top of the vertical front panel.
- Tap the filter against one side to align with outside opening.
- Pull the filter down into the lower slots at the bottom of the filter support.



- To remove the filters, grasp the handle, push the filter up and pull forward.

12 FINALIZE INSTALLATION

- Refer to the operating instructions to test all controls.



Troubleshooting Tips
 Save time and money! Review the chart below first and you may not need to call for service.

Problem	Possible Causes	What To Do
Fan does not operate when the switch is on	A fuse may be blown or a circuit breaker tripped.	<ul style="list-style-type: none"> • Replace fuse or reset circuit breaker.
	The blower connector is loose or not plugged into its mating connector.	<ul style="list-style-type: none"> • Disconnect power to the unit. Remove the filters and look up at the blower. If the blower connector plug is loose or you see the connector dangling, the installer failed to plug it in securely. Although it is a blind connection, it is easy to plug in. See the <i>Installation Instructions</i> in this manual for the plug location and how to plug the connector in.
Fan fails to circulate air or moves air slower than normal	Excessively soiled filters.	<ul style="list-style-type: none"> • Remove the filters, clean if necessary and replace them. If cleaning and replacing the filters does not correct the problem, call for service.

<i>Consumer Support</i>	<i>Troubleshooting Tips</i>	<i>Care and Cleaning</i>	<i>Operating Instructions</i>	<i>Safety Instructions</i>
--------------------------------	------------------------------------	---------------------------------	--------------------------------------	-----------------------------------

Notes.

Please place in envelope and mail to:
Veuillez mettre dans une enveloppe et envoyez à :

**OWNERSHIP REGISTRATION
P.O. BOX 1780
MISSISSAUGA, ONTARIO
L4Y 4G1**

(FOR CANADIAN CONSUMERS ONLY)



For Canadian
Customers



Pour les
Consommateurs
Canadiens

CUT ALONG THIS LINE AND RETURN CARD—THANKS

OWNERSHIP REGISTRATION CERTIFICATE – FICHE D'INSCRIPTION DU PROPRIÉTAIRE			
Please register your product to enable us to contact you in the remote event a safety notice is issued for this product and to allow for efficient communication under the terms of your warranty, should the need arise.		Veuillez enregistrer votre produit afin de nous permettre de communiquer avec vous si jamais un avis de sécurité concernant ce produit était émis et de communiquer facilement avec vous en vertu de votre garantie, si le besoin s'en fait sentir.	
REGISTER ON-LINE:	www.geappliances.ca	MAIL TO:	P.O. BOX 1780, MISSISSAUGA
ENREGISTREMENT SUR INTERNET À :	www.electromenagersqe.ca	POSTER À :	ONTARIO, L4Y 4G1
<input type="checkbox"/> MR./M	<input type="checkbox"/> MRS./MME.	FIRST NAME / PRÉNOM	LAST NAME / NOM
<input type="checkbox"/> MISS/MLLE.	<input type="checkbox"/> MS.		
STREET NO / N° RUE	STREET NAME / RUE	APT. NO / APP. / RR#	
CITY / VILLE		PROVINCE	POSTAL CODE / POSTAL
AREA CODE / IND. RÉG.	TELEPHONE	E-MAIL	
DID YOU PURCHASE A SERVICE CONTRACT FOR THIS APPLIANCE? AVEZ-VOUS ACHETÉ UN CONTRAT DE SERVICE POUR CET APPAREIL ?		YES / OUI <input type="checkbox"/>	IF YES / SI OUI : EXPIRATION
		NO / NON <input type="checkbox"/>	Y/A M D/J
NAME OF SELLING DEALER / NOM DU MARCHAND		MODEL / MODÈLE	
INSTALLATION DATE / DATE D'INSTALLATION Y/A M D/J	CORRESPONDENCE <input type="checkbox"/> ENGLISH CORRESPONDANCE <input type="checkbox"/> FRANÇAIS	SERIAL / SÉRIE	
<input type="checkbox"/> I do not wish to receive any promotional offers regarding this product. <input type="checkbox"/> Je ne désire pas recevoir d'offres promotionnelles concernant ce produit.			

GE Range Hood Warranty.



All warranty service provided by our Factory Service Centers, or an authorized Customer Care® technician. To schedule service on-line, visit us at GEAppliances.com, or call 800.GE.CARES (800.432.2737). Please have serial number and model number available when calling for service.

Staple your receipt here.
Proof of the original purchase date is needed to obtain service under the warranty.

For The Period Of: **GE Will Replace:**

One Year

From the date of the original purchase

Any part of the range hood which fails due to a defect in materials or workmanship. During this **limited one-year warranty**, GE will also provide, **free of charge**, all labor and in-home service to replace the defective part.

What GE Will Not Cover:

- Service trips to your home to teach you how to use the product.
- Improper installation, delivery or maintenance.
- Failure of the product if it is abused, misused, or used for other than the intended purpose or used commercially.
- Replacement of house fuses or resetting of circuit breakers.
- Damage to the product caused by accident, fire, floods or acts of God.
- Incidental or consequential damage caused by possible defects with this appliance.
- Damage caused after delivery.
- Product not accessible to provide required service.

EXCLUSION OF IMPLIED WARRANTIES—Your sole and exclusive remedy is product repair as provided in this Limited Warranty. Any implied warranties, including the implied warranties of merchantability or fitness for a particular purpose, are limited to one year or the shortest period allowed by law.

This warranty is extended to the original purchaser and any succeeding owner for products purchased for home use within the USA. If the product is located in an area where service by a GE Authorized Servicer is not available, you may be responsible for a trip charge or you may be required to bring the product to an Authorized GE Service Location for service. In Alaska, the warranty excludes the cost of shipping or service calls to your home.

Some states do not allow the exclusion or limitation of incidental or consequential damages. This warranty gives you specific legal rights, and you may also have other rights which vary from state to state. To know what your legal rights are, consult your local or state consumer affairs office or your state's Attorney General.

Warrantor: General Electric Company, Louisville, KY 40225

Safety Instructions

Operating Instructions

Care and Cleaning

Troubleshooting Tips

Consumer Support

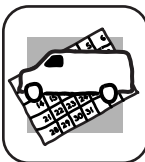
Consumer Support.



GE Appliances Website

GEAppliances.com

Have a question or need assistance with your appliance? Try the GE Appliances Website 24 hours a day, any day of the year! For greater convenience and faster service, you can now download Owner's Manuals, order parts or even schedule service on-line.



Schedule Service

GEAppliances.com

Expert GE repair service is only one step away from your door. Get on-line and schedule your service at your convenience any day of the year! Or call 800.GE.CARES (800.432.2737) during normal business hours.



Real Life Design Studio

GEAppliances.com

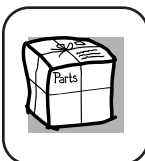
GE supports the Universal Design concept—products, services and environments that can be used by people of all ages, sizes and capabilities. We recognize the need to design for a wide range of physical and mental abilities and impairments. For details of GE's Universal Design applications, including kitchen design ideas for people with disabilities, check out our Website today. For the hearing impaired, please call 800.TDD.GEAC (800.833.4322).



Extended Warranties

GEAppliances.com

Purchase a GE extended warranty and learn about special discounts that are available while your warranty is still in effect. You can purchase it on-line anytime, or call 800.626.2224 during normal business hours. GE Consumer Home Services will still be there after your warranty expires.



Parts and Accessories

GEAppliances.com

Individuals qualified to service their own appliances can have parts or accessories sent directly to their homes (VISA, MasterCard and Discover cards are accepted). Order on-line today, 24 hours every day or by phone at 800.626.2002 during normal business hours.

Instructions contained in this manual cover procedures to be performed by any user. Other servicing generally should be referred to qualified service personnel. Caution must be exercised, since improper servicing may cause unsafe operation.



Contact Us

GEAppliances.com

If you are not satisfied with the service you receive from GE, contact us on our Website with all the details including your phone number, or write to: General Manager, Customer Relations
GE Appliances, Appliance Park
Louisville, KY 40225



Register Your Appliance

GEAppliances.com

Register your new appliance on-line—at your convenience! Timely product registration will allow for enhanced communication and prompt service under the terms of your warranty, should the need arise. You may also mail in the pre-printed registration card included in the packing material.



Hotte de cuisine à évacuation

Consignes de sécurité	2, 3
Directives de fonctionnement	
Commande de la lampe	4
Commande du ventilateur	4
Entretien et nettoyage	
Filtres à graisses	5
Lampe de la hotte	6
Surfaces en acier inoxydable	5
Directives d'installation ..	7-18
Dépannage	19
Service à la clientèle	
Garantie	23
Inscription du propriétaire	21, 22
Service à la clientèle	24

Manuel d'utilisation et directives d'installation

JV936

JV966

Inscrivez ci-dessous les numéros de modèle et de série :

N° de modèle _____

N° de série _____

Ils se trouvent sur une étiquette sur la paroi intérieure de la hotte.

CONSIGNES DE SÉCURITÉ IMPORTANTES.

VEUILLEZ LIRE TOUTES LES CONSIGNES AVANT D'UTILISER L'APPAREIL.



CONSIGNES DE SÉCURITÉ

⚠ AVERTISSEMENT –

AFIN DE RÉDUIRE LES RISQUES D'INCENDIE, DE CHOC ÉLECTRIQUE OU DE BLESSURES, VEUILLEZ OBSERVER LES CONSIGNES QUI SUIVENT :

- A. N'utilisez cet appareil que pour l'usage pour lequel il a été conçu par le fabricant. Pour toute question, communiquez avec le fabricant.
- B. Avant de réparer ou de nettoyer l'appareil, coupez l'alimentation électrique au panneau de distribution électrique et bloquez le disjoncteur afin d'éviter que le courant ne soit accidentellement rétabli. Lorsqu'il n'est pas possible de bloquer le disjoncteur, apposez un dispositif d'avertissement bien visible, comme une étiquette, sur le panneau de distribution.
- C. N'utilisez pas cet appareil avec un dispositif électronique de contrôle de la vitesse.
- D. Cet appareil doit être mis à la terre.

⚠ ATTENTION –

Pour une évacuation de type général seulement. N'utilisez pas cet appareil pour évacuer des substances ou des vapeurs dangereuses ou explosives.

⚠ ATTENTION –

Pour réduire les risques d'incendie et assurer une évacuation adéquate de l'air, assurez-vous d'acheminer les conduits vers l'extérieur. N'évacuez pas l'air dans les espaces entre les murs, dans le plafond ou le grenier, ni dans un vide sanitaire ou un garage.

⚠ AVERTISSEMENT –

POUR RÉDUIRE LES RISQUES DE BLESSURES EN CAS DE FEU DE GRAISSE SUR LA CUISINIÈRE, OBSERVEZ LES CONSIGNES QUI SUIVENT* :

- A. ÉTOUFFEZ LES FLAMMES en couvrant l'ustensile de cuisson à l'aide d'un couvercle, d'une plaque à biscuits ou d'un plateau en métal, puis éteignez l'élément. FAITES ATTENTION DE NE PAS VOUS BRÛLER. Si les flammes ne s'éteignent pas immédiatement, ÉVACUEZ LES LIEUX ET APPELEZ LES POMPIERS.
- B. N'ESSAYEZ JAMAIS DE SOULEVER UN USTENSILE EN FEU – vous pourriez vous brûler.
- C. N'UTILISEZ PAS D'EAU, de linge à vaisselle ou de serviette; cela pourrait provoquer une violente explosion de vapeur.
- D. Utilisez un extincteur SEULEMENT si :
 1. Vous avez en votre possession un extincteur de classe ABC et vous savez vous en servir.
 2. Le feu est petit et contenu dans l'endroit où il s'est déclaré.
 3. Vous avez appelé les pompiers.
 4. Vous pouvez combattre le feu en faisant dos à une sortie.

*Selon le document intitulé «Kitchen Fire Safety Tips» publié par la NFPA.



CONSIGNES DE SÉCURITÉ

⚠ AVERTISSEMENT – POUR RÉDUIRE LES RISQUES DE FEU DE GRAISSE SUR LA CUISINIÈRE :

- A. Ne laissez jamais sans surveillance les éléments de surface à des réglages élevés. Les débordements peuvent produire de la fumée et prendre feu. Faites chauffer les matières grasses doucement au réglage minimum ou moyen.
- B. Mettez toujours la hotte en **MARCHE** lorsque vous cuisinez à feu fort ou lorsque vous faites flamber des aliments (p. ex. crêpes Suzette, cerises jubilé, bifteck au poivre flambé).
- C. Nettoyez fréquemment les ventilateurs. Ne laissez pas de graisse s'accumuler sur les ventilateurs ou le filtre.
- D. Utilisez des ustensiles de cuisson de dimensions appropriées. Utilisez toujours des ustensiles dont la taille correspond à celle de l'élément.

⚠ AVERTISSEMENT – POUR RÉDUIRE LES RISQUES D'INCENDIE, DE CHOC ÉLECTRIQUE OU DE BLESSURES, OBSERVEZ LES CONSIGNES QUI SUIVENT :

- A. Les travaux d'installation et de câblage électrique doivent être effectués par une personne qualifiée, conformément à tous les codes et normes applicables, y compris ceux concernant la résistance au feu de la construction.
- B. Il faut une quantité d'air suffisante pour assurer une combustion et une évacuation appropriées des gaz par le conduit d'évacuation (cheminée) de l'équipement à combustible afin d'éviter tout refoulement d'air. Observez les directives et normes de sécurité du fabricant de l'équipement, par exemple celles publiées par la National Fire Protection Association (NFPA), l'American Society for Heating, Refrigeration and Air Conditioning Engineers (ASHRAE) et les autorités locales.

- C. Lorsque vous coupez ou percez un mur ou un plafond, évitez d'endommager le câblage électrique ou les installations des services publics.
- D. Les conduits d'évacuation des ventilateurs doivent toujours être acheminés vers l'extérieur.

⚠ AVERTISSEMENT – POUR RÉDUIRE LES RISQUES D'INCENDIE, N'UTILISEZ QUE DES CONDUITS EN MÉTAL.

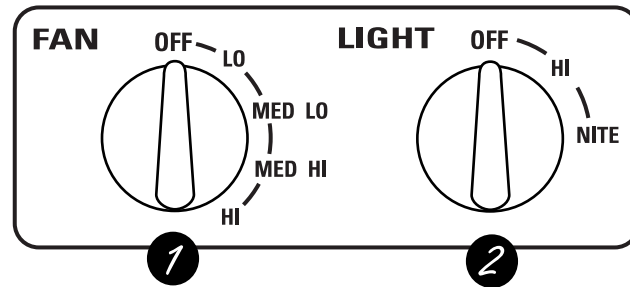
- Ne tentez pas de réparer ou de remplacer toute pièce de la hotte, sauf si cela est spécifiquement recommandé dans le présent manuel. Confiez toutes les autres réparations à un technicien qualifié.



**VEUILLEZ LIRE ET SUIVRE À LA LETTRE CES CONSIGNES DE SÉCURITÉ.
VEUILLEZ LIRE ET CONSERVER CES DIRECTIVES**

Utilisation des commandes de la hotte.

Dans le présent manuel, les caractéristiques et l'apparence peuvent être différentes de celles de votre modèle.



1 Commande du VENTILATEUR

Tournez la commande de vitesse **FAN (Ventilateur)** à **LO (Minimum)**, **MED LO (Minimum/moyen)**, **MED HI (Moyen/maximum)** ou **HI (Maximum)**, selon le besoin.

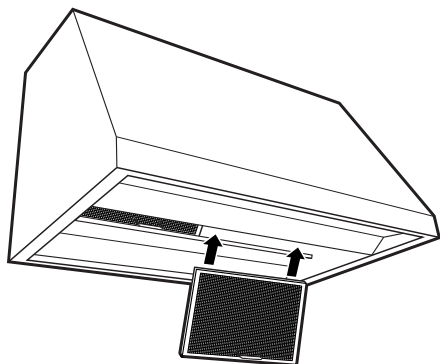
Lorsque vous cuisinez, un fonctionnement continu du système de ventilation permet de garder la cuisine agréable et moins humide. Cela diminue également les odeurs de cuisson et la saleté attribuable à la condensation et qui exige un nettoyage fréquent.

REMARQUE: Lorsque le ventilateur fonctionne au réglage **LO (Minimum)**, il est très silencieux. Assurez-vous toujours que la commande de vitesse du ventilateur est à **OFF (Arrêt)** lorsque vous avez terminé la cuisson dans la cuisine.

2 Commande de la LAMPE

Tournez la commande **LIGHT (Lampe)** à **HI (Maximum)** pour éclairer la surface de cuisson. Tournez-la à **NITE (Veilleuse)** pour l'utiliser comme veilleuse en soirée ou pendant la nuit.

Assurez-vous que l'alimentation électrique est coupée et que toutes les surfaces sont froides avant de nettoyer ou de réparer toute partie de la hotte.



Filtres à graisses métalliques réutilisables

La hotte est dotée de deux filtres à graisses métalliques réutilisables.

Les filtres métalliques retiennent la graisse qui s'échappe des aliments qui cuisent sur la surface de cuisson. Ces filtres empêchent également les flammes des aliments flambés sur la surface de cuisson d'endommager l'intérieur de la hotte.

C'est pourquoi, il faut **TOUJOURS** que les filtres soient en place lorsque la hotte fonctionne. Il faut nettoyer les filtres à graisses une fois par mois ou lorsque cela est nécessaire.

Pour nettoyer les filtres à graisses, faites-les tremper, puis agitez-les dans un mélange d'eau chaude et de détergent. N'utilisez pas de produits contenant de l'ammoniaque, car ces produits ternissent le métal. N'utilisez pas de produits nettoyants abrasifs ou conçus pour le nettoyage des fours. Vous pouvez brosser légèrement les filtres pour déloger la saleté incrustée. Rincez, secouez et laissez sécher les filtres avant de les remettre en place.

Pour enlever les filtres :
Saisissez la languette du filtre et tirez-la vers le haut, puis vers l'avant.

Pour les remettre en place :

- 1 Tenez la partie inférieure du filtre par la languette.
- 2 Placez la partie supérieure du filtre contre le côté intérieur de l'avant de la hotte.
- 3 Faites glisser le filtre jusqu'à ce qu'il bloque, puis appuyez sur l'extrémité inférieure du filtre jusqu'à ce qu'il tombe en place par pression.

Surfaces en acier inoxydable

N'utilisez pas de tampons en laine d'acier pour ne pas égratigner la surface.

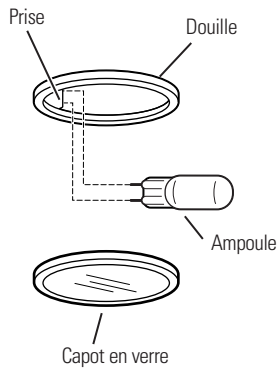
Pour nettoyer les surfaces en acier inoxydable, utilisez de l'eau chaude savonneuse ou un produit nettoyant ou un poli pour l'acier inoxydable. Essuyez toujours la surface dans le sens du grain. Suivez les directives données sur le contenant pour nettoyer les surfaces en acier inoxydable.

Pour de plus amples renseignements sur l'achat d'un produit nettoyant ou d'un poli pour électroménagers en acier inoxydable, ou pour connaître l'adresse du détaillant le plus près de chez vous, veuillez appeler sans frais au numéro suivant :

Centre national de pièces
800.661.1616
www.electromenagersge.ca

Entretien et nettoyage de la hotte.

Assurez-vous que l'alimentation électrique est coupée et que toutes les surfaces sont froides avant de nettoyer ou de réparer toute partie de la hotte.



Lampe de la hotte

REMARQUE : Enlevez le capot en verre lorsqu'il est froid seulement. Vous pouvez porter des gants en latex pour le saisir plus facilement.

⚠ ATTENTION :

Avant de remplacer l'ampoule, coupez l'alimentation électrique de la hotte en enlevant le fusible ou en déclenchant le disjoncteur au panneau de distribution électrique.

Laissez refroidir complètement le capot en verre et l'ampoule.

Pour votre sécurité, ne touchez pas l'ampoule chaude à main nue ou avec un chiffon humide.

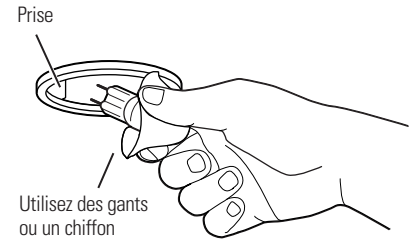
Pour enlever l'ampoule :

- 1 Tournez le capot en verre dans le sens antihoraire, jusqu'à ce que la douille de l'ampoule soit accessible.
- 2 À l'aide de gants ou d'un chiffon sec, retirez l'ampoule en tirant dessus.

Pour la remettre en place :

- 1 Utilisez une ampoule halogène neuve de 12 V et 20 W (maximum) pour culot G-4.
- 2 À l'aide de gants ou d'un chiffon sec, retirez l'ampoule neuve de son emballage.

REMARQUE : Ne touchez pas à l'ampoule neuve avec vos doigts afin de ne pas raccourcir de façon appréciable sa durée de vie utile.



- 3 Poussez l'ampoule à fond dans la prise.
- 4 Remettez en place le capot en verre sur la douille et tournez-le dans le sens horaire jusqu'à ce qu'il bloque en place.

Pour un meilleur éclairage, nettoyez fréquemment le capot en verre à l'aide d'un chiffon humide. Cependant, faites-le lorsque la hotte a complètement refroidi.

- 5 Rétablissez l'alimentation électrique de la hotte.

Des questions? Appelez au 1.800.561.3344 ou visitez notre site Web à l'adresse www.electromenagersge.ca

AVANT DE COMMENCER

Veuillez lire attentivement toutes les directives qui suivent.

- **IMPORTANT** – Conservez les présentes directives pour l'inspecteur local.
- **IMPORTANT** – Observez tous les codes et règlements en vigueur.
- **Note à l'installateur** – Veuillez laisser les présentes directives au consommateur.
- **Note au consommateur** – Veuillez conserver les présentes directives pour consultation ultérieure.
- **Compétences requises** – L'installation de cette hotte de cuisine exige des compétences de base en mécanique et en électricité.
- **Durée de l'installation** – Entre 1 et 3 heures.
- L'installateur est responsable de la qualité de l'installation.
- Toute défaillance du produit attribuable à une installation inadéquate n'est pas couverte par la garantie.

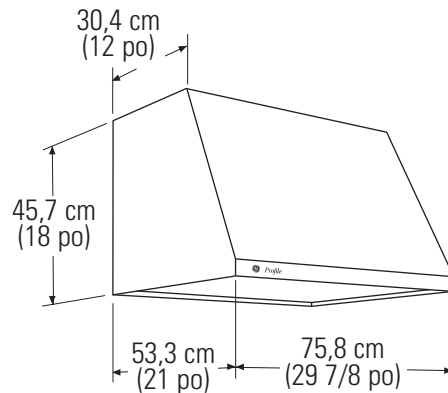
⚠ ATTENTION :

Compte tenu du poids et de la dimension de cette hotte, et pour réduire les risques de blessures et de dommages au produit, **L'INSTALLATION DOIT ÊTRE EFFECTUÉE PAR DEUX PERSONNES.**

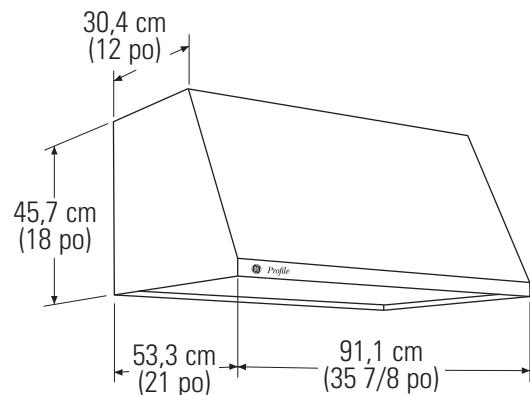
POUR VOTRE SÉCURITÉ :

Avant de commencer l'installation, coupez l'alimentation électrique et bloquez le disjoncteur afin d'éviter que le courant ne soit accidentellement rétabli. Lorsqu'il n'est pas possible de bloquer le disjoncteur, apposez un dispositif d'avertissement bien visible, comme une étiquette, sur le panneau de distribution électrique.

DIMENSIONS DU PRODUIT



Les modèles de 76,2 cm (30 po)
Exigent une ouverture de 76,2 cm (30 po) de largeur



Les modèles de 91,4 cm (36 po)
Exigent une ouverture de 91,4 cm (36 po) de largeur

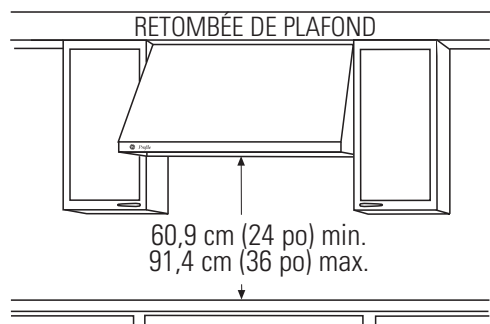
Directives d'installation

DÉGAGEMENTS POUR L'INSTALLATION

Cette hotte à évacuation a été conçue pour être installée sur un mur. Elle peut être installée sous une retombée de plafond ou une armoire.

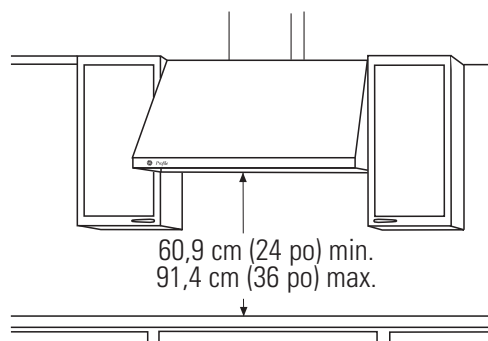
- Installez la hotte à une hauteur variant entre 60,9 cm (24 po) et 91,4 cm (36 po) au-dessus de la surface de cuisson.

INSTALLATION SOUS UNE RETOMBÉE DE PLAFOND



Dans le cas de cette installation, le conduit d'évacuation à la partie supérieure de la hotte sera dissimulé à l'intérieur de la retombée de plafond ou de l'armoire supérieure.

INSTALLATION MURALE



Dans le cas de cette installation, un couvre-conduit décoratif permet de dissimuler le conduit d'évacuation à la partie supérieure de la hotte. L'utilisation d'un couvre-conduit décoratif exige une hauteur d'installation spécifique au-dessus du comptoir. Pour de plus amples renseignements, reportez-vous à la page 12.

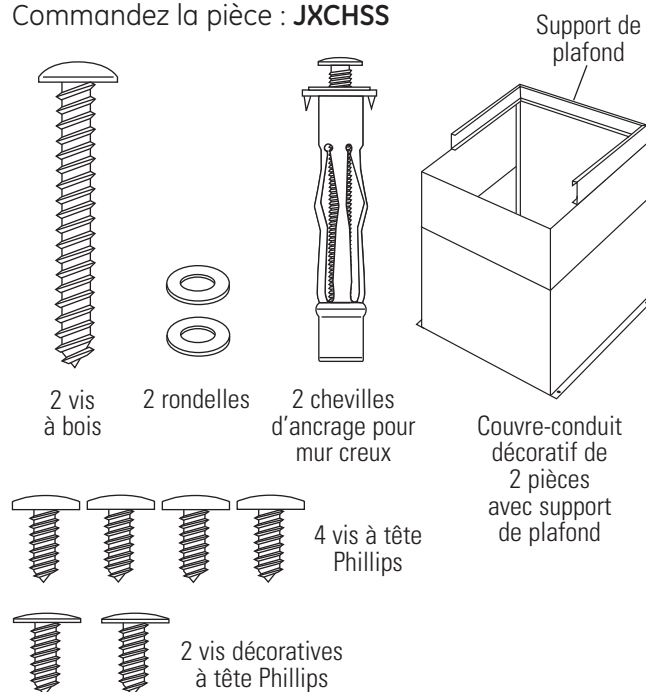
ACCESSOIRES FACULTATIFS

Couvre-conduit

Il existe un couvre-conduit décoratif pour les installations lorsque la hauteur du plafond varie entre 2,4 m (8 pi) et 3,0 m (10 pi). Ce couvre-conduit d'une longueur de 30,4 cm (12 po) peut s'allonger à une hauteur max. de 60,9 cm (24 po) ou 86,3 cm (34 po).

- Ce couvre-conduit décoratif dissimule le conduit entre le dessus de la hotte et le plafond.
- Ce couvre-conduit décoratif convient aux modèles de 76,2 cm (30 po) et de 91,4 cm (36 po) de largeur. Commandez le couvre-conduit décoratif en même temps que la hotte. Vous devez avoir tous les accessoires en main lors de l'installation de la hotte.

Commandez la pièce : **JXCHSS**



Directives d'installation

PRÉPARATIFS

Préparatifs concernant le conduit d'évacuation

- Cette hotte peut être dotée d'un conduit d'évacuation vertical à travers les armoires supérieures, la retombée de plafond ou le plafond. Un conduit de transition est fourni pour l'évacuation à la verticale. Utilisez des coudes disponibles en quincaillerie pour évacuer l'air horizontalement à travers le mur arrière. Reportez-vous à la page 13.
- Déterminez l'emplacement exact de la hotte.
- Planifiez le parcours qu'empruntera le conduit pour l'évacuation vers l'extérieur.
- Utilisez la longueur de conduit la plus courte et la plus rectiligne possible. Pour obtenir un rendement satisfaisant, le conduit ne doit pas avoir une longueur équivalente supérieure à 30,4 m (100 pi), quelle que soit sa configuration.
- Reportez-vous au tableau "Raccords de conduit" pour calculer la longueur maximale admissible du conduit vers l'extérieur.
- N'utilisez que des conduits en métal seulement.
- Un conduit de transition pour conduit circulaire de 17,8 cm (7 po) est fourni dans l'ensemble. Utilisez un conduit circulaire de 17,8 cm (7 po) ou un conduit rectangulaire de 8,2 cm (3 1/4 po) x 30,4 cm (12 po).
- Installez dans l'ouverture extérieure un évent mural ou de toiture doté d'un registre. Commandez à l'avance l'évent mural ou de toiture, ainsi que tous les conduits de transition nécessaires.

Ensemble JXDW1

Commandez l'ensemble JXDW1 si votre installation exige un conduit horizontal à partir du dessus de la hotte vers le mur, et si :

- Votre plafond est à une hauteur de 2,4 m (8 pi) et que vous devez utiliser un capuchon de cheminée JXCH, ou
- Votre hotte sera fixée sous une armoire ou une retombée de plafond de 30,4 cm (12 po).

Cet ensemble comprend un conduit de transition pour installation entre un conduit circulaire de 17,8 cm (7 po) et un conduit rectangulaire de 8,2 cm (3 1/4 po) x 25,4 cm (10 po) pour une évacuation à travers le mur.

Charpente murale pour un soutien adéquat

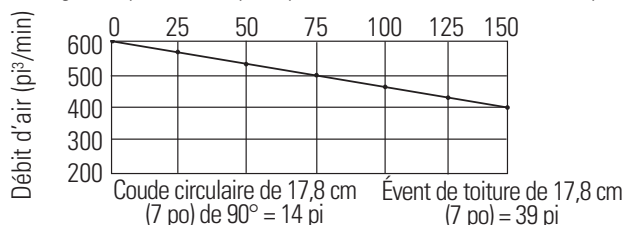
- Cette hotte est très lourde. Pour la soutenir, il faut une charpente murale adéquate. La hotte doit être fixée aux montants verticaux du mur. Reportez-vous à la page 14.
- Nous vous recommandons fortement d'avoir à portée de la main la hotte et le couvre-conduit décoratif avant d'effectuer les travaux d'ajustement de la charpente et de finition du mur. Vous pourrez ainsi déterminer l'emplacement précis pour le conduit et le câblage électrique.

RACCORDS DE CONDUIT

Utilisez les lignes directrices qui suivent pour déterminer la longueur appropriée du conduit.

RACCORDS DE CONDUIT – Modèles de 76,2 cm (30 po) et de 91,4 cm (36 po)

Longueur équivalente en pieds pour conduit circulaire de 17,8 cm (7 po)



LONGUEUR MAXIMALE DU CONDUIT : Dans le cas d'un conduit circulaire de 17,8 cm (7 po) de dia., la longueur équivalente ne doit pas dépasser 30,4 m (100 pi).

COUVRE-CONDUIT DÉCORATIF

Il existe un couvre-conduit décoratif convenant aux deux modèles. Ce couvre-conduit dissimule le conduit d'évacuation entre le dessus de la hotte et le plafond ou la retombée de plafond. Il convient aux plafonds dont la hauteur varie entre 2,4 m (8 pi) et 3,0 m (10 pi). Pour de plus amples renseignements, reportez-vous à la page 12.

ALIMENTATION ÉLECTRIQUE

IMPORTANT - (Veuillez lire attentivement)

⚠ AVERTISSEMENT :

POUR VOTRE SÉCURITÉ, CET APPAREIL DOIT ÊTRE CORRECTEMENT MIS À LA TERRE.

Avant d'entreprendre l'installation, enlevez le fusible ou déclenchez le disjoncteur au panneau de distribution électrique.

N'utilisez pas de rallonge électrique, ni de fiche d'adaptation avec cet appareil. Observez le Code national de l'électricité ou les codes et règlements locaux en vigueur.

Alimentation électrique

Cette hotte est conçue pour une alimentation électrique de 120 V et 60 Hz, et doit être branchée à un circuit de dérivation individuel correctement mis à la terre et protégé par un disjoncteur de 15 ou 20 ampères ou par un fusible temporisé.

- Le câblage électrique doit être constitué de deux fils, plus un fil de mise à la terre.
- Si votre alimentation électrique ne répond pas aux exigences ci-dessus, veuillez appeler un électricien qualifié avant d'entreprendre l'installation.
- Acheminez le câblage électrique le plus près possible de la hotte, de préférence dans le plafond, la retombée de plafond ou le mur. Pour de plus amples renseignements, reportez-vous à la page 13.
- Effectuez les raccordements des fils au câblage de la résidence, conformément aux codes locaux en vigueur.

Directives de mise à la terre

Le conducteur de mise à la terre doit être raccordé à un système de câblage métallique permanent ou à une borne ou un câble de mise à la terre de la hotte.

⚠ AVERTISSEMENT : Un raccordement incorrect du fil de mise à la terre peut présenter un risque de choc électrique. Consultez un électricien ou un technicien qualifié si vous n'êtes pas certain que l'appareil est correctement mis à la terre.

Directives d'installation

RACCORDS DE CONDUIT

Utilisez ce tableau pour calculer la longueur maximale permise du conduit d'évacuation vers l'extérieur.

Remarque : Ne dépassez pas la longueur équivalente maximale permise!

Longueur maximale du conduit :
30,4 m (100 pi) pour une hotte.

Conduit flexible :

Si vous utilisez un conduit flexible en métal, il faut doubler toutes les longueurs équivalentes indiquées dans le tableau. Le conduit métallique flexible doit être droit et souple, et étiré le plus possible.

N'utilisez PAS de conduit flexible en plastique.

Remarque : Tout système de ventilation résidentiel, comme une hotte à évacuation, peut affecter le débit approprié de l'air de combustion et d'évacuation des foyers, des systèmes de chauffage à gaz, des chauffe-eau à gaz et autres systèmes à circulation d'air naturelle. Pour réduire au minimum la modification du débit d'air de ces systèmes, veuillez suivre les lignes directrices données par le fabricant de l'appareil de chauffage et les normes de sécurité, par exemple celles publiées par la NFPA et la ASHRAE.

Cette hotte doit être raccordée à un conduit circulaire de 17,8 cm (7 po). Vous pouvez installer un conduit de transition pour raccorder à un conduit rectangulaire de 8,2 cm (3 1/4 po) x 30,4 cm (12 po)

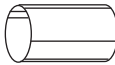
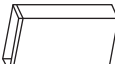


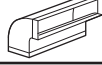
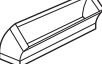


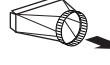
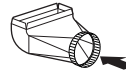
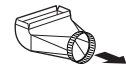

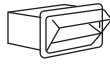


Ensemble JXDW1

Commandez l'ensemble JXDW1 si votre installation exige un conduit horizontal à partir du dessus de la hotte vers le mur, et si :

- votre plafond est à une hauteur de 2,4 m (8 pi) et que vous devez utiliser un capuchon de cheminée JXCH, ou
- votre hotte sera fixée sous une armoire ou une retombée de plafond de 30,4 cm (12 po).

Cet ensemble comprend un conduit de transition pour installation entre un conduit circulaire de 17,8 cm (7 po) et un conduit rectangulaire de 8,2 cm (3 1/4 po) x 25,4 cm (10 po) pour une évacuation à travers le mur.

L'utilisation d'un conduit d'un diamètre plus petit affectera le rendement de l'appareil

Section de conduit	Dimensions	Longueur équivalente*	Quantité utilisée	Longueur équivalente totale
	Droit, circulaire de 17,8 cm (7 po)	0,3 m/1 pi (par pied de longueur)		
	Droit, 8,2 cm (3 1/4 po) x 30,4 cm (12 po)	0,3 m/1 pi (par pied de longueur)		
	Coude de 17,8 cm (7 po) de 90°		4,2 m/14 pi	
	Coude de 17,8 cm (7 po) de 45°		2,7 m/9 pi	
	Coude de 8,2 cm (3 1/4 po) x 30,4 cm (12 po) de 90°		4,5 m/15 pi	
	Coude de 8,2 cm (3 1/4 po) x 30,4 cm (12 po) de 45°		2,7 m/9 pi	
	Coude plat de 8,2 cm (3 1/4 po) x 30,4 cm (12 po) de 90°		10,0 m/36 pi	
	Conduit de transition circulaire de 17,8 cm (7 po) à conduit rectangulaire de 8,2 cm (3 1/4 po) x 30,4 cm (12 po)	0,3 m/1 pi		
	Conduit de transition rectangulaire de 8,2 cm (3 1/4 po) x 30,4 cm (12 po) à un conduit circulaire de 17,8 cm (7 po)	0,3 m/1 pi		
	Coude de transition de 90° circulaire de 17,8 cm (7 po) à conduit rectangulaire de 8,2 cm (3 1/4 po) x 30,4 cm (12 po)	1,2 m/4 pi		
	Code de transition de 90° circulaire de 17,8 cm (7 po) à conduit rectangulaire de 8,2 cm (3 1/4 po) x 30,4 cm (12 po)	1,2 m/4 pi		
	Évent mural pour conduit circulaire de 17,8 cm (7 po), avec registre	8,5 m/28 pi (6,4 m/21 pi sans registre)		
	Évent mural pour conduit de 8,2 cm (3 1/4 po) x 30,4 cm (12 po), avec registre	7,9 m/26 pi (5,8 m/19 pi sans registre)		
	Évent de toiture pour conduit circulaire de 17,8 cm (7 po)	11,8 m/39 pi		
	Évent de toiture circulaire	7,3 m/24 pi		

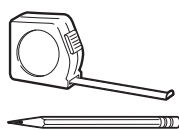
*Longueur réelle du conduit droit, plus la longueur équivalente du raccord. Les longueurs équivalentes des sections de conduit ont été établies à la suite d'essais réels effectués par le service de l'Ingénierie d'évaluation de GE et représentent les longueurs nécessaires pour assurer une bonne ventilation de tout type de hotte.

Longueur totale de conduit _____

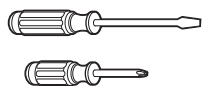
Directives d'installation

MATÉRIEL ET OUTILS NÉCESSAIRES

(NON FOURNIS)



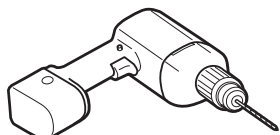
Crayon et ruban à mesurer



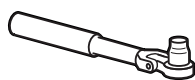
Tournevis Phillips et à lame plate



Ruban adhésif pour conduit



Perceuse électrique avec forets de 3,1 mm (1/8 po) et 9,5 mm (3/8 po)



Douille hexagonale pivotante de 6,3 mm (1/4 po)



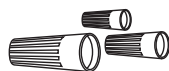
Lunettes de sécurité



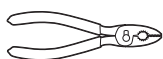
Niveau à bulle



Lampe de poche



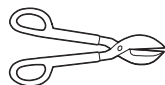
Connecteurs vissables homologués par UL



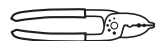
Pince



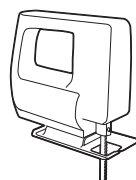
Marteau



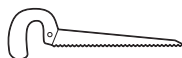
Cisailles à tôles



Pince coupante à dénuder



Scie sauteuse ou scie à guichet



Escabeau



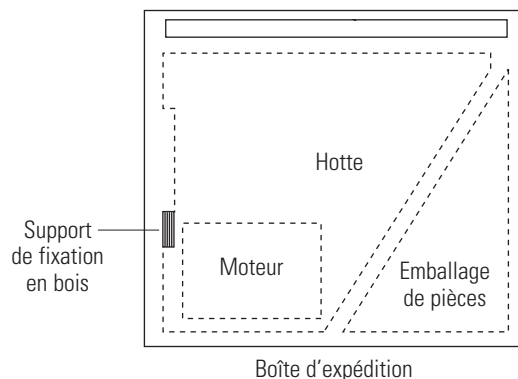
Clé Allen

Matériel supplémentaire :

- 2 fils de 120 V, 60 Hz de 15 ou 20 A, avec fil de mise à la terre. Circuit de dérivation adéquatement mis à la terre.
- Serre-câble pour boîte de jonction.
- Conduit circulaire en métal de 17,8 cm (7 po) ou rectangulaire de 8,2 cm (3 1/4 po) x 25,4 cm (10 po) ou de 8,2 cm (3 1/4 po) x 30,4 cm (12 po) d'une longueur suffisante pour l'installation.

DÉBALLAGE

- Enlevez la petite boîte qui protège le moteur.
- Sortez la hotte de la boîte.

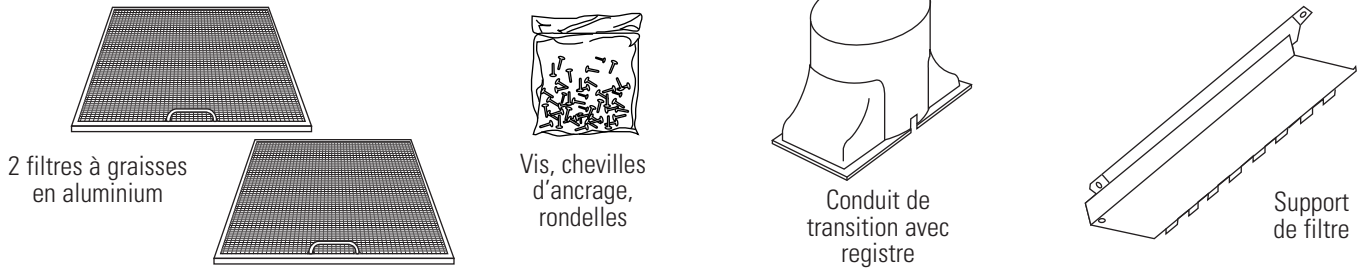


- Enlevez les vis d'expédition qui retiennent le support de fixation en bois à la paroi arrière de la hotte. **Mettez de côté le support de fixation en bois et les vis pour les réinstaller plus tard. Ne les jetez pas.**
- Retirez la section de carton en V.
- Retirez l'emballage de pièces de la section de carton en V.
- Retirez le couvercle de la boîte de jonction et l'entrée défonçable.
- Installez un serre-câble sur la paroi arrière ou sur le dessus de la hotte.
- Enlevez le ruban gommé et le matériel d'emballage de la hotte, du conduit de transition et du moteur.

Directives d'installation

PIÈCES FOURNIES

Repérez la boîte contenant les accessoires fournis avec la hotte, et vérifiez-en le contenu.

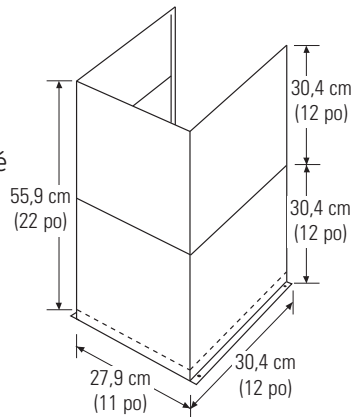


EXIGENCES CONCERNANT LE COUVRE-CONDUIT

Nous vous recommandons d'avoir à portée de la main la hotte et le couvre-conduit décoratif (le cas échéant) lors des travaux d'ajustement de la charpente et de finition du mur. Vous pourrez ainsi repérer avec précision l'emplacement des montants, du conduit et du câblage électrique. Veuillez lire les directives qui suivent pour savoir si vous pouvez utiliser le couvre-conduit décoratif pour votre installation.

Couvre-conduit décoratif :

- Utilisez le couvre-conduit décoratif pour dissimuler le conduit d'évacuation entre le dessus de la hotte et le plafond.
- Ce couvre-conduit est formé de deux pièces. La section extérieure mesure 30,4 cm (12 po) de hauteur, alors que la section intérieure mesure 55,9 cm (22 po). Une fois insérées l'une dans l'autre, les deux sections forment une structure dont la hauteur peut varier entre 60,9 cm (24 po) et 86,3 cm (34 po).
- La section extérieure peut être utilisée seule pour dissimuler un conduit de 30,4 cm (12 po) de hauteur.
- Pour une hauteur de conduit supérieure à 30,4 cm (12 po), il faut installer le support de plafond pour fixer le couvre-conduit à la partie supérieure.



Pour éviter les jeux peu esthétiques, prévoyez installer la hotte à une hauteur permettant l'installation du couvre-conduit décoratif :

- Le couvre-détecteur convient à une hauteur minimale de 30,4 cm (12 po) entre le dessus de la hotte et le plafond, ou entre 60,9 cm (24 po) et 86,3 cm (34 po) entre le dessus de la hotte et le plafond.

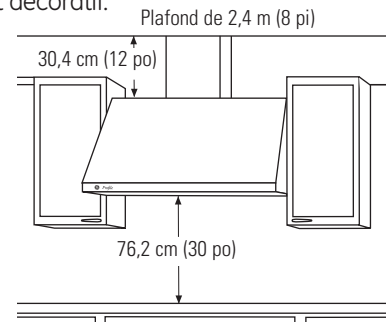
VOUS NE POUVEZ PAS UTILISER LE COUVRE-DÉTECTEUR SI LA DISTANCE ENTRE LE DESSUS DE LA HOTTE ET LE PLAFOND VARIE ENTRE 30,4 CM (12 PO) ET 60,3 CM (24 PO).

Passez en revue les exemples qui suivent afin d'installer sans problème le couvre-conduit décoratif.

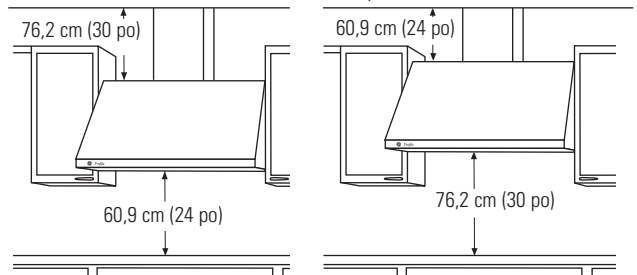
Plafond de 2,4 m (8 pi) :

La hotte doit être installée à une hauteur de 76,2 cm (30 po) au-dessus de la surface de cuisson (ou à 167,6 cm [66 po] du sol). Le couvre-conduit ne peut pas être utilisé si la hotte est installée à une hauteur inférieure ou supérieure.

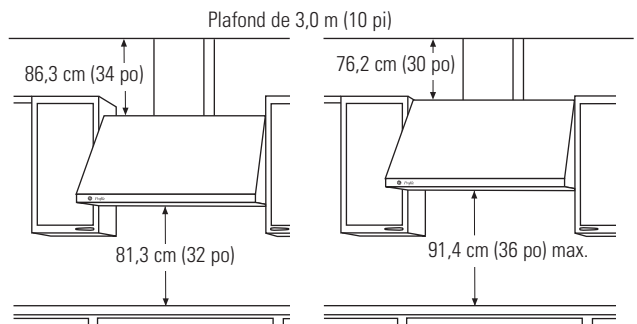
Utilisez la section de 30,4 cm (12 po) et jetez la section intérieure.



Plafond de 2,7 m (9 pi) :



Plafond de 2,7 m (9 pi) : Installez la hotte à une hauteur d'au moins 60,9 cm (24 po) et d'au plus 76,2 cm (30 po) au-dessus de la surface de cuisson. Le couvre-conduit peut être allongé pour dissimuler le conduit jusqu'au plafond.



Plafond de 3,0 m (10 pi) : Installez la hotte à une hauteur d'au moins 81,3 cm (32 po) et d'au plus 91,4 cm (36 po) au-dessus de la surface de cuisson. Le couvre-conduit peut être allongé jusqu'à 86,3 cm (34 po) entre le dessus de la hotte et le plafond.

Directives d'installation

EMPLACEMENT DE LA HOTTE, DU CONDUIT ET DU CÂBLAGE

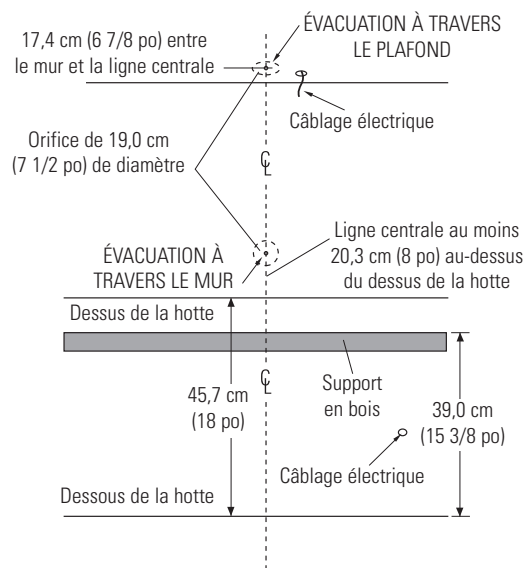
- Conservez le support de fixation en bois et ses vis pour les réinstaller plus tard. Ne les jetez pas.
- Mesurez la distance voulue entre le dessous de la hotte et la surface de cuisson, c'est-à-dire entre 60,9 cm (24 po) et 91,4 cm (36 po). Si vous utilisez le couvre-conduit décoratif, reportez-vous à la page précédente.
- À l'aide d'un niveau, tracez une ligne horizontale pour marquer l'emplacement du dessous de la hotte.
- À l'aide d'un niveau, tracez une ligne correspondant au centre de la surface de cuisson.
- À 39,0 cm (15 3/8 po) au-dessus de la ligne horizontale correspondant au dessous de la hotte, tracez une autre ligne horizontale.
- À 45,7 cm (18 po) au-dessus de la ligne correspondant au dessous de la hotte, tracez une autre ligne horizontale pour indiquer le dessus de la hotte.

POUR UN CONDUIT VERTICAL (droit) :

- Si le conduit passe à travers le plafond, prolongez la ligne centrale jusqu'au plafond
- À 17,4 cm (6 7/8 po) de la cloison sèche, marquez l'emplacement du centre de l'orifice de 19,0 cm (7 1/2 po) de diamètre pour le passage du conduit.
- S'il n'y a pas encore de cloison sèche au mur, ajoutez l'épaisseur de la cloison sèche à la mesure de 17,4 cm (6 7/8 po).

Conduit à travers une retombée de plafond ou une armoire supérieure :

- Suivez la procédure indiquée pour l'installation du conduit dans le plafond pour pratiquer un orifice de 19,0 cm (7 1/2 po) de diamètre à travers la retombée de plafond ou l'armoire.
- Reportez-vous à l'étape 4 de la page 15 pour pratiquer l'ouverture pour le conduit de transition.



ÉVACUATION À TRAVERS LE MUR ARRIÈRE :

- Mesurez la longueur du conduit de transition fourni et de tous les conduits utilisés, plus la hauteur du coude de 90°. Tracez sur le mur une ligne horizontale croisant la ligne centrale.

Emplacement du câblage de la résidence :

- La boîte de jonction est fixée à la paroi arrière de la hotte, du côté droit. Pour connaître l'emplacement des entrées défonçables, reportez-vous aux illustrations.

Remarque : La boîte de jonction peut être installée à l'intérieur de la hotte, à la partie supérieure. Vous pouvez faire entrer le câblage de la résidence dans la boîte de jonction par l'arrière ou le haut de la hotte, du côté droit.

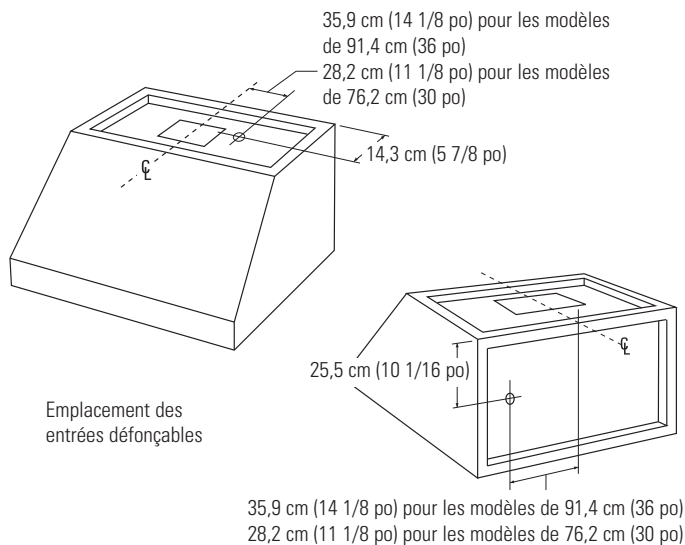
Pour acheminer le câblage par le plafond ou la retombée de plafond :

- Percez un trou d'environ 2,5 cm (1 po) de diamètre à 14,3 cm (5 7/8 po) du mur, à 28,2 cm (11 1/8 po) à droite de la ligne centrale dans le cas d'un modèle de 76,2 cm (30 po), ou à 35,9 cm (14 1/8 po) à droite de la ligne centrale pour un modèle de 91,4 cm (36 po).

Pour acheminer le câblage par le mur :

- Percez un trou d'environ 2,5 cm (1 po) de diamètre à 25,5 cm (10 1/16 po) du dessus de la hotte, à 28,2 cm (11 1/8 po) à droite de la ligne centrale dans le cas d'un modèle de 76,2 cm (30 po), ou à 35,9 cm (14 1/8 po) à droite de la ligne centrale pour un modèle de 91,4 cm (36 po).

- Enlevez l'entrée défonçable supérieure ou arrière, selon votre installation.
- Installez le serre-câble sur la paroi arrière ou sur le dessus de la hotte.

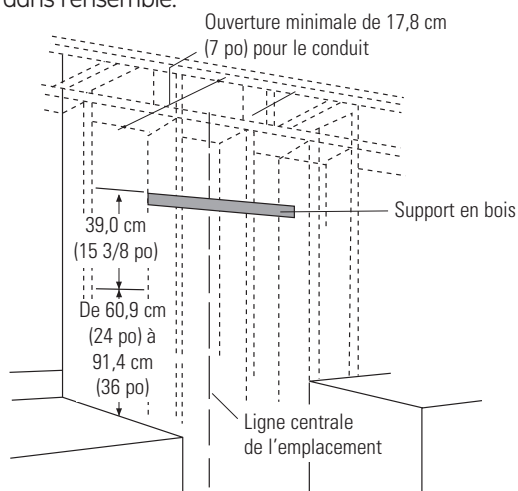


Directives d'installation

1 INSTALLATION DU SUPPORT DE LA HOTTE

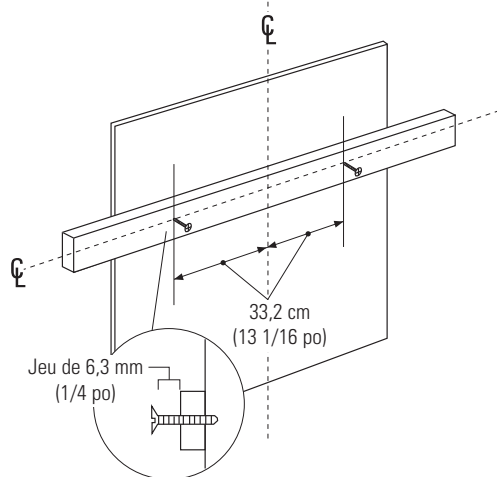
IMPORTANT : La charpente doit être en mesure de soutenir une charge de 45,3 kg (100 lb).

- Repérez au moins deux montants verticaux pour fixer le support en bois en frappant sur la cloison sèche avec un marteau ou en utilisant un localisateur de montants.
- Centrez de gauche à droite, et sous la ligne horizontale tracée précédemment, le support horizontal en bois fourni dans l'ensemble.



- Percez des avant-trous de 3,1 mm (1/8 po) à travers le support, la cloison sèche et les montants. Fixez le support à au moins deux montants verticaux à l'aide des vis à bois fournies dans l'ensemble.

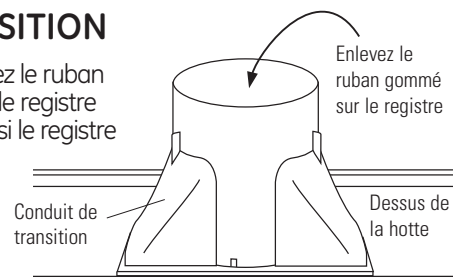
IMPORTANT : Les vis doivent être insérées à une profondeur d'au moins 3,8 cm (1 1/2 po) dans les montants verticaux. Fraisez les trous de vis sur le support.



- Installez les vis de montage au centre du support en bois, à 33,2 cm (13 1/16 po) de la ligne centrale. Les vis doivent dépasser de 6,3 mm (1/4 po). Ce jeu permettra d'accrocher la hotte.

2 INSTALLATION DU CONDUIT DE TRANSITION

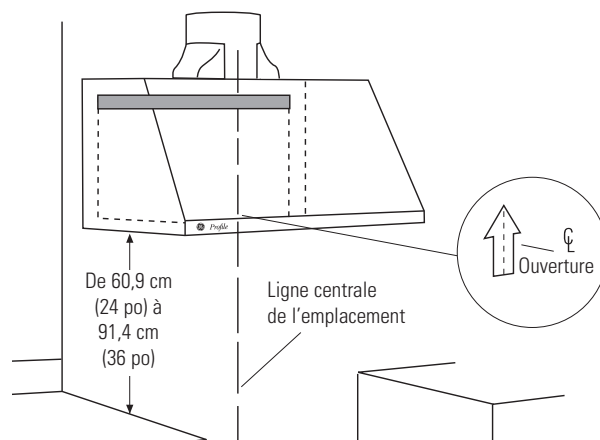
IMPORTANT : Retirez le ruban gommé qui retient le registre en place et vérifiez si le registre bouge librement.



- Placez le conduit de transition sur la sortie d'évacuation de la hotte. Fixez le conduit à la hotte à l'aide des quatre vis fournies.
- Utilisez du ruban adhésif pour conduit pour sceller le raccord.

3 INSTALLATION DE LA HOTTE AU MUR

- Soulevez la hotte et placez-la contre le support en bois. Les vis de montage qui dépassent du support doivent être insérées dans les fentes à la partie supérieure de la hotte. Laissez la hotte glisser en place.
- Insérez le câble électrique de la résidence par l'entrée défonçable sur la paroi arrière ou sur le dessus de la hotte.
- Assurez-vous que la hotte est de niveau et bien centrée. L'ouverture en forme de flèche sur la paroi arrière de la hotte vous permet de voir la ligne centrale tracée sur le mur.
- Retirez le couvercle de la boîte de jonction.



Perçage des trous pour les vis de montage inférieures

- Percez des avant-trous de 3,1 mm (1/8 po) dans les deux orifices de montage inférieurs. Agrandissez les trous à 9,5 mm (3/8 po) s'il est impossible d'atteindre les montants. Vissez à la main les vis dans les chevilles d'ancrage pour permettre l'expansion de ces chevilles dans le mur. Retirez les vis.
- À l'aide de deux grosses rondelles plates (fournies), installez les vis à bois ou les vis des chevilles d'ancrage pour mur creux à la main dans les trous de montage. Ne les serrez pas.
- Vérifiez si la hotte est de niveau. Serrez les vis à la partie supérieure. Serrez ensuite les vis de montage à la partie inférieure.
- Pour plus de sécurité, installez des vis dans les trous d'origine du support en bois, à l'arrière de la hotte.

Directives d'installation

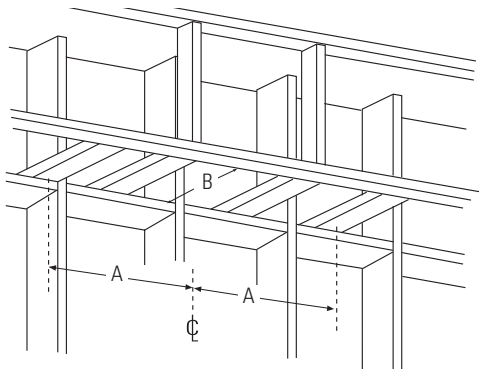
4 Autre méthode de montage INSTALLATION DE LA HOTTE SOUS UNE RETOMBÉE DE PLAFOND OU UNE ARMOIRE

SAUTEZ CETTE ÉTAPE SI VOUS FIXEZ LA HOTTE AU MUR

IMPORTANT : La charpente de la retombée de plafond doit être en mesure de soutenir une charge de 45,3 kg (100 lb).

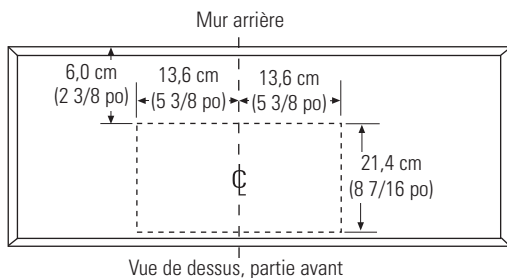
Au besoin, la hotte peut être soutenue par la retombée de plafond.

- La retombée de plafond doit être construite en pièces de bois de 5 cm (2 po) x 10 cm (4 po).
- Déterminez l'emplacement de l'appareil.
- Prolongez la ligne centrale jusqu'au bas de la retombée de plafond ou de l'armoire.



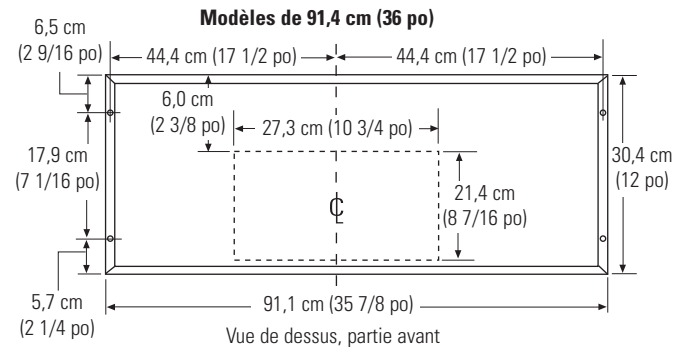
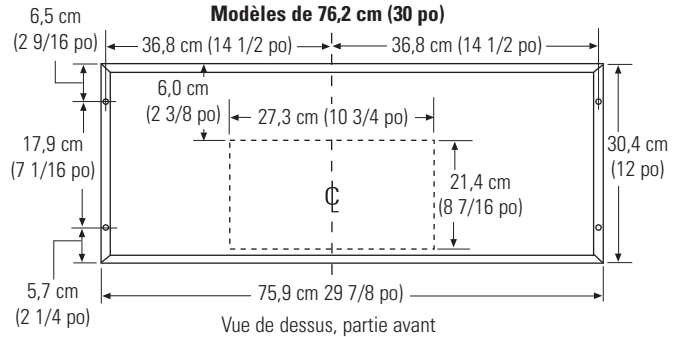
	«A» Ligne centrale jusqu'au centre du montant	«B» Ouverture pour le conduit
Modèles de 76,2 cm (30 po)	36,8 cm (14 1/2 po)	27,3 cm L x 21,4 cm P (10 3/4 po L x 8 7/16 po P)
Modèles de 91,4 cm (36 po)	44,4 cm (17 1/2 po)	27,3 cm L x 21,4 cm P (10 3/4 po L x 8 7/16 po P)

- Les vis de montage doivent être vissées dans des montants de 5 cm (2 po) x 10 cm (4 po) (dim. «A»), aux endroits indiqués dans le tableau ci-dessus.
- Prévoyez une ouverture suffisante (dim. «B») pour insérer le conduit de transition dans la retombée de plafond.

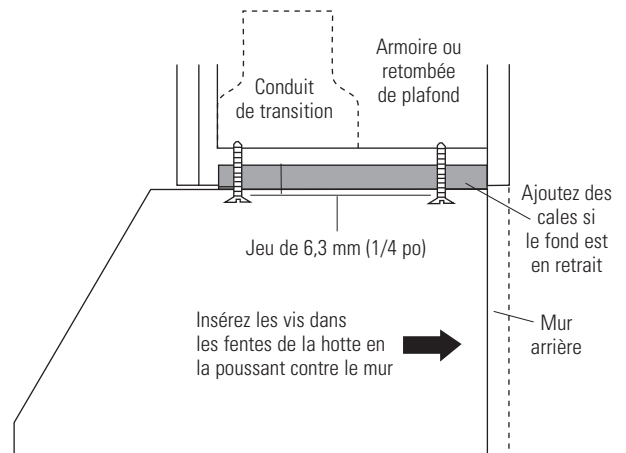


Pratiquez un orifice de 27,3 cm (10 3/4 po) x 21,4 cm (8 7/16 po) sous la retombée de plafond ou l'armoire pour y insérer le conduit de transition, comme indiqué dans l'illustration.

IMPORTANT : Pour un soutien supplémentaire et pour réduire au minimum les vibrations pendant le fonctionnement de l'appareil, nous vous recommandons fortement de fixer également la hotte au mur à l'aide de chevilles d'ancrage pour mur creux.



- Percez quatre avant-trous de 3,1 mm (1/8 po) aux endroits indiqués.
- Si la hotte est fixée à une armoire dont le fond est en retrait, installez des cales pour combler l'espace.



- Installez les vis dans les montants en laissant dépasser de 6,3 mm (1/4 po). Ce jeu permettra de les insérer dans les fentes sur le dessus de la hotte.
- Soulevez la hotte et suspendez-la sur les vis de montage. Poussez la hotte contre le mur arrière.
- Faites passer le câblage électrique de la résidence par l'ouverture sur la paroi arrière ou le dessus de la hotte.
- Serrez les vis de montage.

Directives d'installation

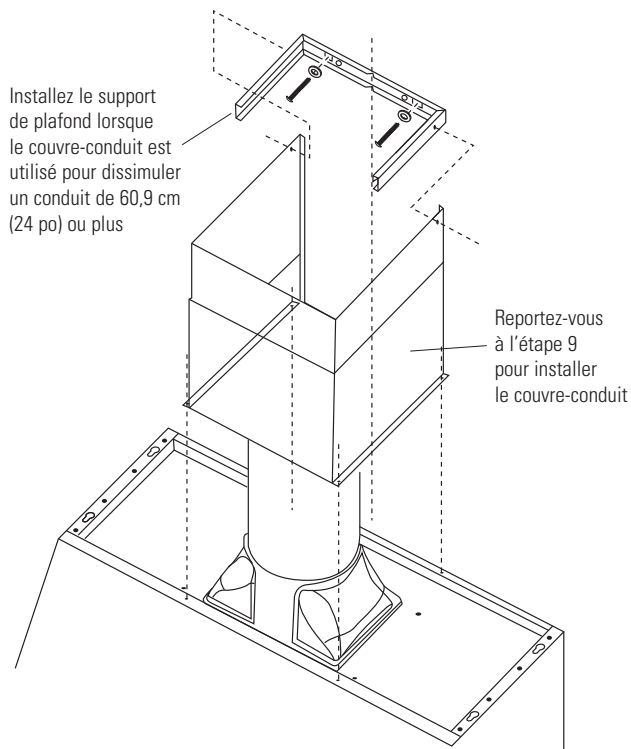
5 INSTALLATION DU SUPPORT DE PLAFOND

Il faut installer le support de plafond lorsque vous utilisez le couvre-conduit pour dissimuler un conduit d'une hauteur d'au moins 60,9 cm (24 po) entre la hotte et le plafond. Ce support permet de fixer le couvre-conduit décoratif au plafond.

Remarque : Le support de plafond n'est pas nécessaire lorsque vous utilisez uniquement la section de 30,4 cm (12 po) du couvre-conduit.

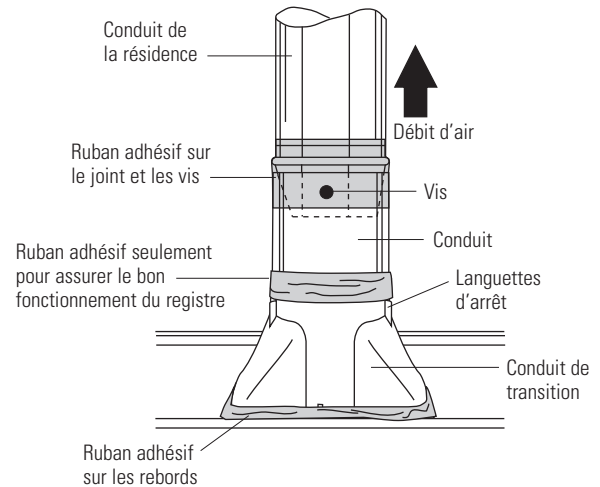
- Installez les deux petites vis dans les côtés du support de conduit. Enlevez les vis. Le taraudage des trous permettra de faciliter l'installation.
- Placez l'encoche centrale du support vis-à-vis de la ligne centrale tracée sur le mur et appuyez le support contre le plafond.
- Marquez l'emplacement des deux trous de vis.
- Percez des avant-trous de 3,1 mm (1/8 po) aux endroits marqués.
- Si les avant-trous n'atteignent pas les montants, agrandissez-les à 9,5 mm (3/8 po) et installez des chevilles d'ancrage pour mur creux.
- Fixez le support sur le mur arrière à l'aide de vis à bois et de rondelles. Utilisez des chevilles d'ancrage pour mur creux au besoin.

Remarque : Le support est pourvu de deux séries de trous. Utilisez les gros trous pour les chevilles d'ancrage ou les vis à bois avec rondelles. Utilisez les petits trous pour les vis à bois avec rondelles.



6 RACCORDEMENT DU CONDUIT

- Insérez le conduit sur l'extrémité du conduit de transition jusqu'à ce qu'il atteigne les languettes d'arrêt.
- Installez le conduit en effectuant le raccord dans le sens du débit d'air, comme indiqué dans l'illustration.
- Fixez les raccords du conduit à l'aide de vis à tôle.
- Appliquez du ruban adhésif pour conduit pour sceller tous les raccords.
- Utilisez du ruban adhésif pour conduit pour sceller le joint entre le conduit de transition et les rebords.

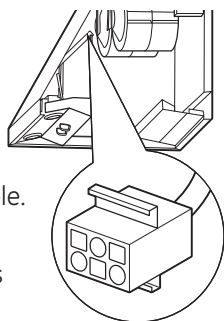
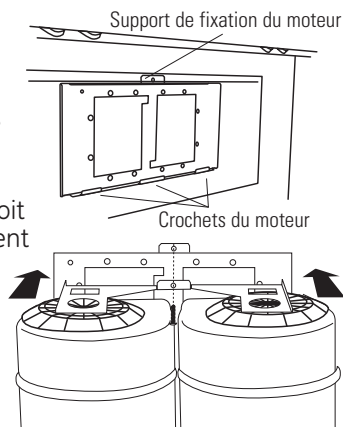


ATTENTION : N'utilisez pas de vis à tôle pour fixer le raccord entre le conduit de transition et le conduit. Les vis installées à cet endroit empêcheraient le registre de bouger librement. Scellez le raccord à l'aide de ruban adhésif seulement.

Directives d'installation

7 INSTALLATION DU MOTEUR

- Placez les fentes du ventilateur vis-à-vis des trois crochets à l'arrière de l'orifice d'évacuation, puis insérez les crochets dans les fentes.
- Tournez le moteur vers le haut jusqu'à ce qu'il soit vis-à-vis de l'emplacement de la vis de fixation.
- Fixez le moteur au support de fixation à l'avant de l'ouverture à l'aide de la vis et de la rondelle fournies.
- Branchez le connecteur du moteur dans le connecteur correspondant de la hotte. Pour connaître l'emplacement du connecteur de la hotte, reportez-vous à l'illustration. Repérez le connecteur à l'intérieur de la hotte et branchez-le.



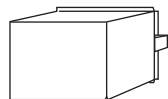
IMPORTANT : Tenez le connecteur de sorte que les deux bornes carrées dans les coins soient vers le haut du connecteur pour le brancher.

8 RACCORDEMENT ÉLECTRIQUE

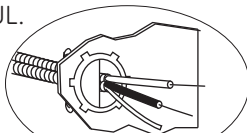
Assurez-vous que l'alimentation a été coupée au panneau de distribution électrique.

⚠ AVERTISSEMENT : Si le câblage de la résidence n'est pas constitué de trois fils, dont un de mise à la terre, l'installateur doit installer un fil de mise à la terre. Si le câblage de la résidence est en aluminium, assurez-vous d'utiliser un antioxydant et des connecteurs vissables pour raccords cuivre-aluminium homologué par UL.

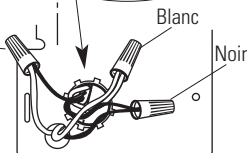
A Enlevez le couvercle de la boîte de jonction



C Insérez le câble dans le serre-câble et serrez-le



B Assurez-vous que les fils blanc, noir et vert de la hotte sont insérés par le petit orifice du support



D Utilisez des connecteurs vissables homologués par UL

- Utilisez des connecteurs vissables pour brancher le fil de mise à la terre au fil vert, le fil blanc au fil blanc, et le fil noir au fil noir.
- Repoussez les fils dans la boîte de jonction et remettez en place le couvercle. Assurez-vous que les fils ne sont pas pincés.

9 INSTALLATION DU COUVRE-CONDUIT

Pour installer uniquement la section de 30,4 cm (12 po) du couvre-conduit :

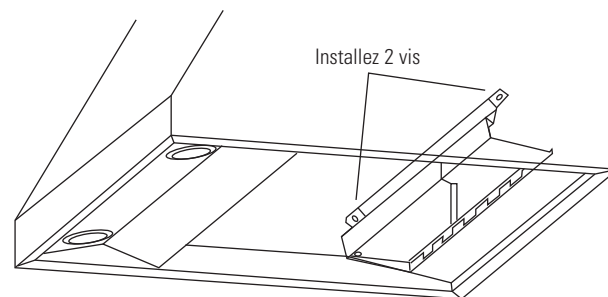
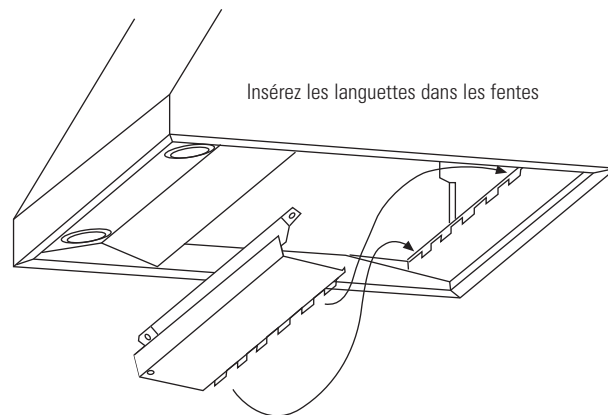
- Placez la section de 30,4 cm (12 po) du couvre-conduit décoratif sur le dessus de la hotte.
- Fixez le couvre-conduit au-dessus de la hotte à l'aide des quatre vis fournies.

Pour installer les deux sections du couvre-conduit :

- Placez les deux sections du couvre-conduit sur le dessus de la hotte.
- Fixez la section inférieure du couvre-conduit au dessus de la hotte à l'aide des quatre vis fournies. Reportez-vous à l'illustration de la page 16.
- Sortez la section intérieure vers le haut jusqu'au plafond et jusqu'au support de plafond.
- Fixez le couvre-conduit au support à l'aide des deux petites vis Phillips fournies.

10 INSTALLATION DU SUPPORT DE FILTRE

- Inclinez le support de filtre en l'insérant à l'arrière de la hotte.
- Insérez les languettes dans les fentes à l'arrière de la hotte.

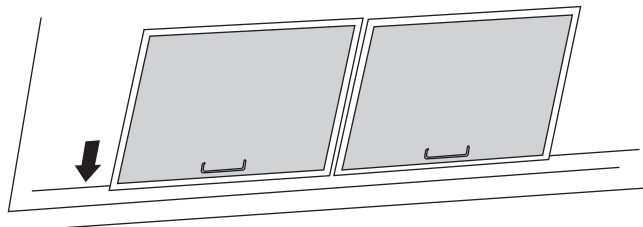
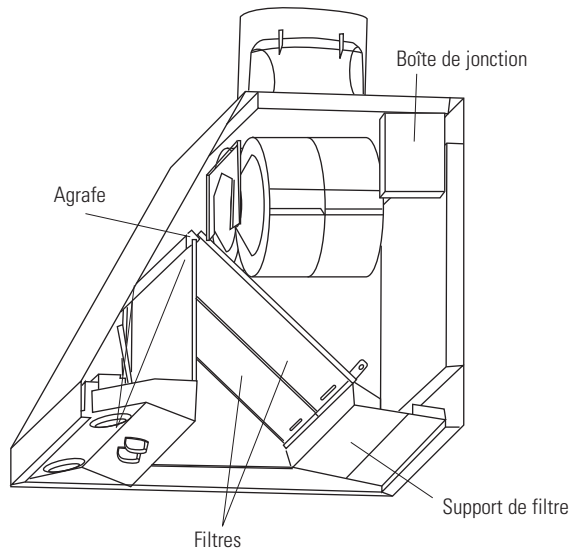


- Fixez le support à la hotte à l'aide des vis, comme indiqué dans l'illustration.

Directives d'installation

11 INSTALLATION DES FILTRES

- Enlevez la pellicule protectrice qui recouvre les filtres.
- Insérez le filtre dans les agrafes installées à la partie supérieure du panneau avant vertical.
- Donnez des petits coups sur le côté du filtre afin qu'il soit vis-à-vis de l'ouverture extérieure.
- Poussez sur le filtre afin qu'il soit inséré dans les fentes inférieures, au bas du support de filtre.



- Pour enlever les filtres, saisissez la languette du filtre et tirez le filtre vers le haut, puis vers l'avant.

12 FIN DE L'INSTALLATION

- Reportez-vous aux directives de fonctionnement pour faire l'essai de toutes les commandes.



Conseils de dépannage
Gagnez du temps et économisez de l'argent! Consultez d'abord le tableau au-dessous. Vous pourriez vous éviter d'appeler un réparateur.

Problème	Causes possibles	Correctifs
Le ventilateur ne fonctionne pas lorsque la commande est actionnée	Un fusible peut être grillé ou un disjoncteur déclenché.	<ul style="list-style-type: none"> Remplacez le fusible ou réenclenchez le disjoncteur.
	Le connecteur du ventilateur est lâche ou débranché.	<ul style="list-style-type: none"> Coupez l'alimentation électrique de la hotte. Enlevez les filtres et inspectez le ventilateur. Si le connecteur du ventilateur est lâche ou débranché, c'est que l'installateur a omis de le brancher correctement. Même s'il s'agit d'un branchement à faire sans visibilité, il est facile à effectuer. Consultez les <i>Directives d'installation</i> dans le présent manuel pour connaître l'emplacement du connecteur et la façon de le brancher correctement.
Le ventilateur ne fait pas circuler l'air ou le fait circuler plus lentement que d'habitude	Les filtres sont très sales.	<ul style="list-style-type: none"> Enlevez les filtres, nettoyez-les au besoin et remettez-les en place. Si le nettoyage des filtres ne règle pas le problème, appelez un réparateur.

<i>Service à la clientèle</i>	<i>Dépannage</i>	<i>Entretien et nettoyage</i>	<i>Directives de fonctionnement</i>	<i>Consignes de sécurité</i>
-------------------------------	------------------	-------------------------------	-------------------------------------	------------------------------

Notes.

Please place in envelope and mail to:
Veuillez mettre dans une enveloppe et envoyez à :

**OWNERSHIP REGISTRATION
P.O. BOX 1780
MISSISSAUGA, ONTARIO
L4Y 4G1**

(FOR CANADIAN CONSUMERS ONLY)



For Canadian
Customers



Pour les
Consommateurs
Canadiens

CUT ALONG THIS LINE AND RETURN CARD—THANKS

OWNERSHIP REGISTRATION CERTIFICATE – FICHE D'INSCRIPTION DU PROPRIÉTAIRE			
Please register your product to enable us to contact you in the remote event a safety notice is issued for this product and to allow for efficient communication under the terms of your warranty, should the need arise.		Veuillez enregistrer votre produit afin de nous permettre de communiquer avec vous si jamais un avis de sécurité concernant ce produit était émis et de communiquer facilement avec vous en vertu de votre garantie, si le besoin s'en fait sentir.	
REGISTER ON-LINE:	www.geappliances.ca	MAIL TO:	P.O. BOX 1780, MISSISSAUGA
ENREGISTREMENT SUR INTERNET À :	www.electromenagersge.ca	POSTER À :	ONTARIO, L4Y 4G1
<input type="checkbox"/> MR./M <input type="checkbox"/> MISS./MLLE.	<input type="checkbox"/> MRS./MME. <input type="checkbox"/> MS.	FIRST NAME / PRÉNOM	LAST NAME / NOM
STREET NO / N° RUE	STREET NAME / RUE	APT. NO / APP. / RR#	
CITY / VILLE		PROVINCE	POSTAL CODE / POSTAL
AREA CODE / IND. RÉG.	TELEPHONE	E-MAIL	
DID YOU PURCHASE A SERVICE CONTRACT FOR THIS APPLIANCE? AVEZ-VOUS ACHETÉ UN CONTRAT DE SERVICE POUR CET APPAREIL ?		YES / OUI <input type="checkbox"/> NO / NON <input type="checkbox"/>	IF YES / SI OUI: EXPIRATION Y/A M D/J
NAME OF SELLING DEALER / NOM DU MARCHAND		MODEL / MODÈLE	
INSTALLATION DATE / DATE D'INSTALLATION Y/A M D/J	CORRESPONDENCE <input type="checkbox"/> ENGLISH CORRESPONDANCE <input type="checkbox"/> FRANÇAIS	SERIAL / SÉRIE	
<input type="checkbox"/> I do not wish to receive any promotional offers regarding this product. <input type="checkbox"/> Je ne désire pas recevoir d'offres promotionnelles concernant ce produit.			

Garantie GE de la hotte de cuisine.



Toutes les réparations sous garantie sont effectuées par nos Centres de réparation ou par nos réparateurs Mabe autorisés. Pour obtenir du service en ligne, veuillez nous visiter au site www.electromenagersge.ca ou appelez le no 1.800.561.3344. Veuillez fournir le numéro de série et le numéro de modèle lorsque vous appelez pour obtenir le service.

Agrafez votre facture ici. La preuve d'achat originale sera nécessaire pour bénéficier des services de garantie.

Pour la période de : Ce qui remplacera :

Une année

À partir de la date d'achat originale

Toute **pièce détachée** de la hotte de cuisine qui tomberait en panne à cause d'un défaut matériel ou de main-d'œuvre. Pendant cette **garantie limitée d'une année**, GE fournira aussi, **gratuitement**, toute main-d'œuvre et service à domicile pour remplacer la pièce défectueuse.

Ce qui n'est pas couvert :

- Les déplacements à domicile pour vous apprendre à utiliser l'appareil.
- Une installation, une livraison ou une maintenance incorrecte.
- Une panne de l'appareil dans le cas d'un abus, d'une mauvaise utilisation, ou d'une utilisation autre que celle prévue, ou d'une utilisation commerciale.
- Le remplacement des fusibles du domicile ou la réinitialisation des disjoncteurs.
- Un dommage de l'appareil provoqué par un accident, un incendie, une inondation ou un cas de force majeure.
- Tout dommage direct ou indirect causé par une défectuosité possible de cet appareil.
- Un dommage provoqué après la livraison.
- Un appareil non accessible pour exécuter la réparation nécessaire.

EXCLUSION DES GARANTIES IMPLICITES —votre seul et unique recours réside dans la réparation de l'appareil telle qu'elle est définie dans cette garantie limitée. Toutes autres garanties implicites, y compris les garanties implicites de valeur commerciale ou d'adéquation à un usage particulier, sont limitées à une année ou à la plus petite période autorisée par la loi.

Cette garantie est valable pour le premier propriétaire et tout autre propriétaire du produit s'il acheté pour utilisation domestique au Canada. Le service à domicile sous garantie sera fourni là où il est disponible et dans les régions que Mabe considère que l'offre de service est raisonnable.

Dans certaines provinces, il est interdit d'exclure ou de limiter les dommages directs ou indirects. Il est alors possible que les limitations ou exclusions ci-dessus ne s'appliquent pas dans votre cas. La présente garantie vous confère des droits juridiques spécifiques. Vous pouvez bénéficier d'autres droits, qui varient d'une province à l'autre. Pour connaître les droits dont vous bénéficiez dans votre province, communiquez avec le bureau des relations avec les consommateurs de votre région.

**Garant : Mabe Canada Inc.,
Burlington, Ontario**

Consignes de sécurité

Directives de
fonctionnement

Entretien et nettoyage

Dépannage

Service à la clientèle

Service à la clientèle.



Site Web appareils électroménagers GE www.electromenagersge.ca

Vous avez une question ou vous avez besoin d'aide pour votre appareil électroménager? Contactez-nous par Internet au site www.electromenagersge.ca 24 heures par jour, tous les jours de l'année.



Service de réparations

1.800.561.3344

Service de réparations GE est tout près de vous.

Pour faire réparer votre électroménager GE, il suffit de nous téléphoner.



Studio de conception réaliste

Sur demande, GE peut fournir une brochure sur l'aménagement d'une cuisine pour les personnes à mobilité réduite.

Écrivez: Directeur, Relations avec les consommateurs, Mabe Canada Inc.
Bureau 310, 1 Factory Lane
Moncton, N.B. E1C 9M3

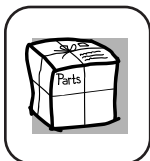


Prolongation de garantie

www.electromenagersge.ca

Achetez un contrat d'entretien GE avant que votre garantie n'expire et bénéficiez d'un rabais substantiel. Ainsi le service après-vente GE sera toujours là après expiration de la garantie.

Visitez notre site Web ou appelez-nous au **1.800.461.3636**.



Pièces et accessoires

Ceux qui désirent réparer eux-mêmes leurs électroménagers peuvent recevoir pièces et accessoires directement à la maison (cartes VISA, MasterCard et Discover acceptées).

Les directives stipulées dans le présent manuel peuvent être effectuées par n'importe quel utilisateur. Les autres réparations doivent généralement être effectuées par un technicien qualifié. Soyez prudent, car une réparation inadéquate peut affecter le fonctionnement sécuritaire de l'appareil.

Les consommateurs au Canada peuvent commander des pièces et des accessoires en ligne au site www.electromenagersge.ca, 24 heures sur 24 et tous les jours, ou par téléphone au 1.800.661.1616 pendant les heures de bureau.



Contactez-nous

Si vous n'êtes pas satisfait du service après-vente dont vous avez bénéficié :

Premièrement, communiquez avec les gens qui ont réparé votre appareil.

Ensuite, si vous n'êtes toujours pas satisfait envoyez tous les détails-numéro de téléphone compris-au
Directeur, Relations avec les consommateurs, Mabe Canada Inc.
Bureau 310, 1 Factory Lane
Moncton, N.B. E1C 9M3



Inscrivez votre appareil électroménager www.electromenagersge.ca

Inscrivez votre appareil électroménager en direct, aussitôt que possible. Cela améliorera nos communications et notre service après-vente. Vous pouvez également nous envoyer par la poste le formulaire d'inscription joint à votre documentation.