

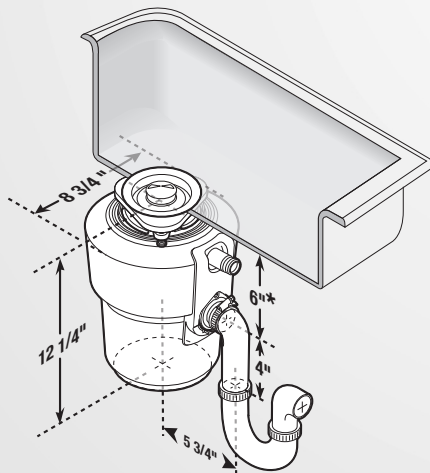
in sink erator®

Evolution Series®

Grind More. Hear Less.®

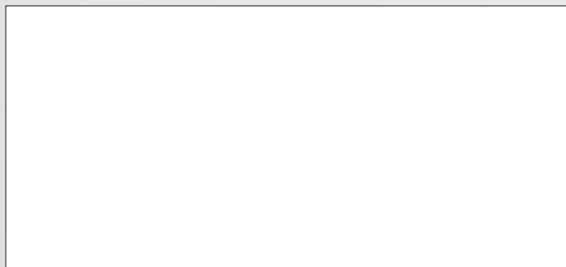


Dimensions



* Add 1/2" when stainless steel sinks are used.

Job Specifications



Food Waste Disposers

Evolution Select Plus®

More performance in a compact size.

Submittal Sheet

More performance in a compact size.

- **SoundSeal®** technology delivers quieter performance. Hold a conversation with elevated voices in the same room.
- **MultiGrind®** technology delivers 2 stages of grind vs. 1 stage in standard disposer.
- Includes Antimicrobial Quiet Collar® sound reducing sink baffle.

Specifications

Type of Feed	Continuous
On/Off Control	Wall Switch
Motor	Single Phase
HP	3/4
Volts	120
HZ	60
RPM	1725
Amp. (Avg. Load)	9.5
Time Rating	Intermittent
Lubrication	Permanently Lubricated Upper & Lower Bearings
Shipping Weight (Approx.)	19.2 lbs.
Unit Finish	Black Enamel / Ruby
Overall Height	12-1/4"
SoundSeal Technology	Anti-Vibration Mount® Anti-Vibration Tailpipe Mount™ Antimicrobial Quiet Collar® Sink Baffle SoundLimiter™ Insulation
MultiGrind Technology	GrindShear Ring®
Grind Chamber Capacity	34.6 oz.
Motor Protection	Manual Reset Overload
Average Water Usage	Approx. 1 Gallon Per Person Per Day
Average Electrical Usage	3-4 kWh Per Year
Drain Connection	1-1/2" Anti-Vibration (Hose Clamp)
Dishwasher Drain Connection	Yes

Sample Specification

Food Waste Disposer(s) shall be InSinkErator Model Evolution Select Plus® with MultiGrind® and SoundSeal® technologies, 3/4 HP motor, stainless steel grind components.

Warranty:

6-Year parts and in-home service.

* The complete InSinkErator warranty is included in the Care & Use Booklet packed with each unit.

MADE IN USA™ Disposers are designed and manufactured in the USA with over 80% domestic content



The mark of responsible forestry
BV-COC-080715
© 1996 Forest Stewardship Council A.C.

EMERSON™
Commercial & Residential Solutions

The Emerson logo is a trademark and service mark of Emerson Electric Co. The mounting collar configuration is a trademark of Emerson Electric Co. Quick Lock® is a registered trademark of Emerson Electric Co.

InSinkErator may make improvements and/or changes in the specifications at any time, in its sole discretion, without notice or obligation and further reserves the right to change or discontinue models.

1-800-558-5700
www.insinkerator.com