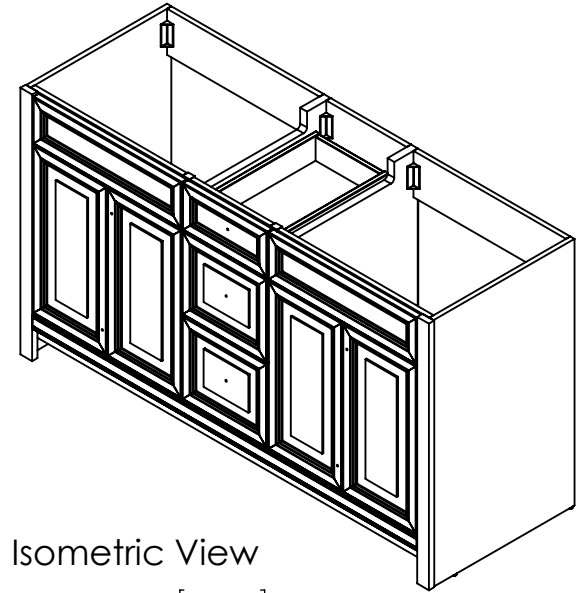
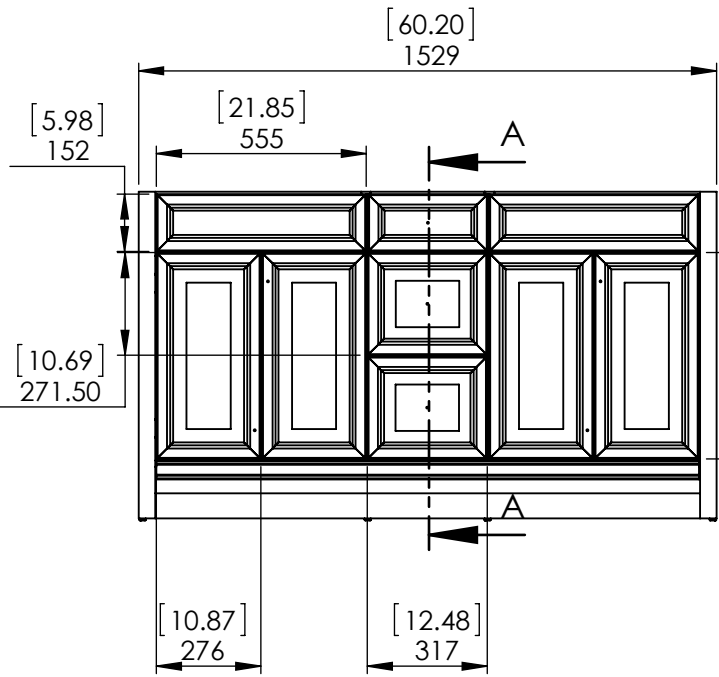


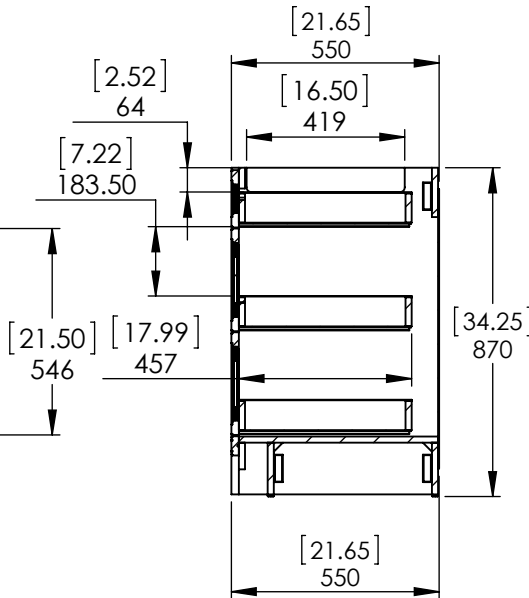
Top View



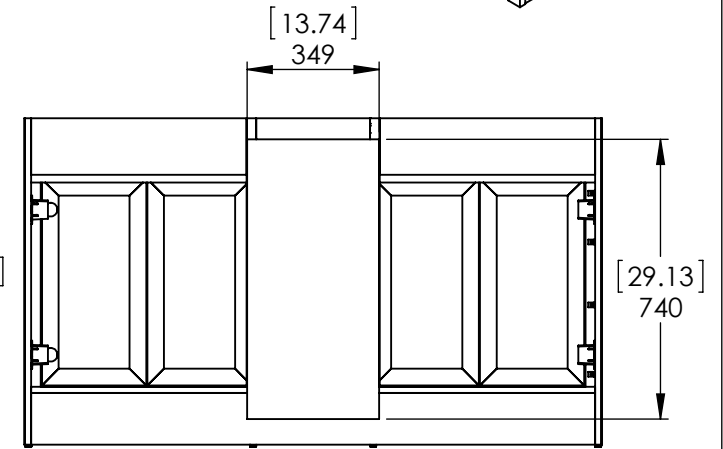
Isometric View



Front View



Section A-A  
Side View



Back View

REV: **A**

ITEM: **BH60-ST BH60-CH BH60-CR  
BH60-WH BH60-FG**

NAME: **Brinkhill 60in Vanity**

MATERIAL: **German Beech 4/4  
Laminated Particle Board (2  
Colours)**

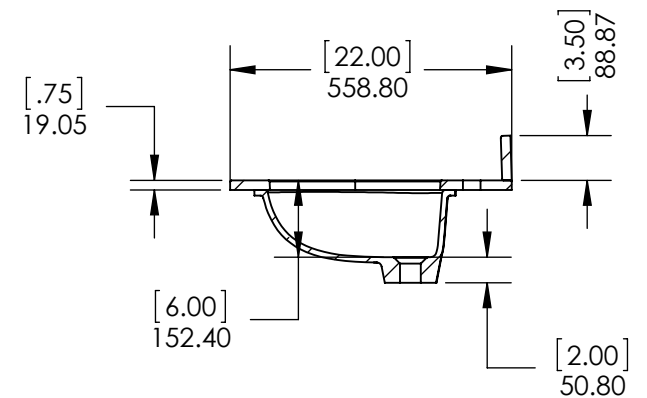
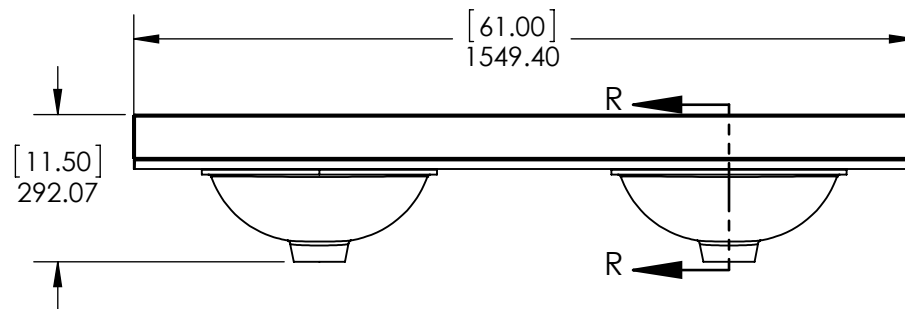
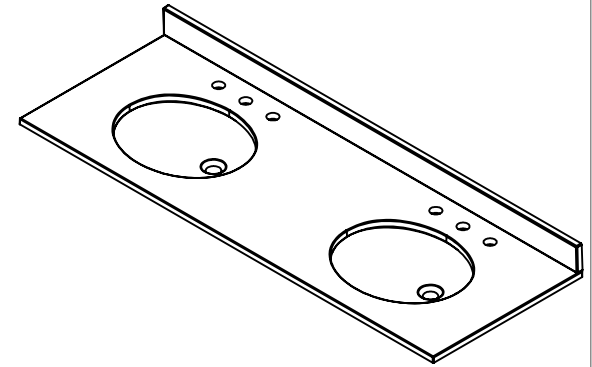
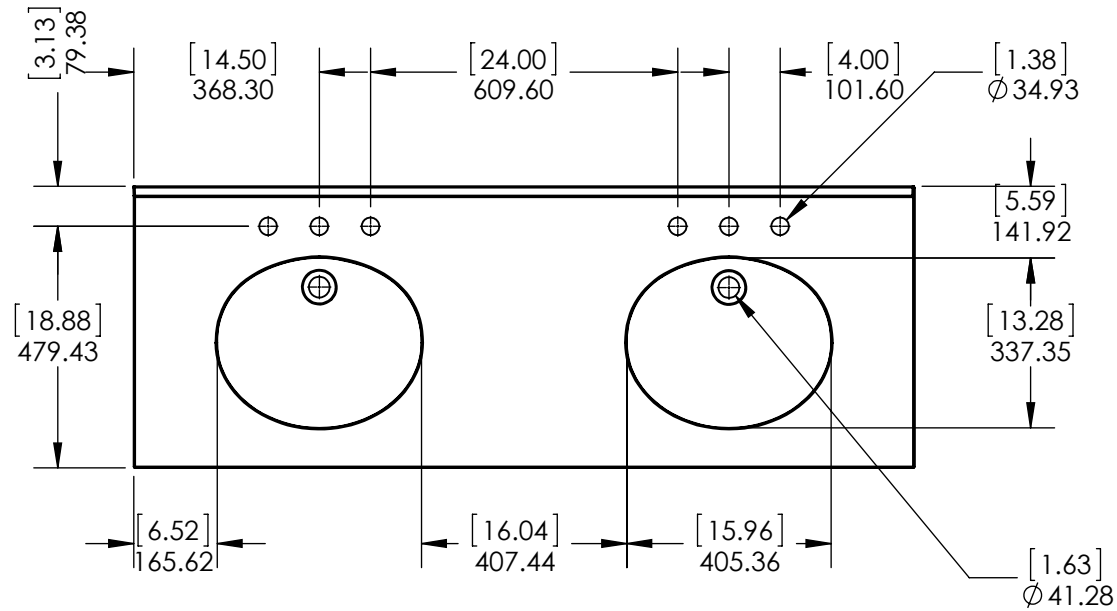
**Brinkhill 60in**



Propiedad y Confidencialidad  
La información contenida en este dibujo  
es puramente propiedad de  
Woodcrafters Home Products LLC. Queda  
prohibida cualquier reproducción parcial  
o total sin el permiso por escrito de  
Woodcrafters Home Product LLC.

DWR	LAG	02/26/18
REV	R&D	02/26/18
APP	ING	02/26/18
SCALE: 1:20	MODEL:	

Rev #	Approved by	Change
0	R. Rubio	Released
1	O. Razo	New color and profile



**PROPRIETARY AND CONFIDENTIAL**  
 THE INFORMATION CONTAINED IN THIS DRAWING IS THE SOLE PROPERTY OF WOODCRAFTERS. ANY REPRODUCTION IN PART OR AS A WHOLE WITHOUT THE WRITTEN PERMISSION OF WOODCRAFTERS IS PROHIBITED.

UNLESS OTHERWISE SPECIFIED  
 DIMENSIONS ARE IN INCHES AND [MM]  
 TOLERANCES ARE  
 +0.125 [3.175] -0.125 [-3.175]  
 SCALE:1:10

	NAME	DATE
DRAWN	R. Rubio	08/22/16
CHECKED	R. Rubio	08/22/16
ENG APPR.	R. Rubio	08/22/16
MFG APPR.	C. Leal	08/22/16

**Wood Crafters**  
 Vtop Stone Effect, Oval 61x22

SIZE DWG. NO. A  
 SHEET 1 OF 2  
 REV. 1

ID	Description	Technology	Status
SE61O-PR	Vtop Oval 61x22 SE Pulsar 8in	Stone Effect	Approved for production
SE61O-MG	Vtop Oval 61x22 SE Mineral Gray 8in	Stone Effect	Approved for production
SE61O-WM	Vtop Oval 61x22 SE Winter Mist 8in	Stone Effect	Approved for production
SE61O-CO	Vtop Oval 61x22 SE Cold Fusion 8in	Stone Effect	Approved for production
SE61O-DN	Vtop Oval 61x22 SE Dune 8in	Stone Effect	Approved for production
SE61O-RU	Vtop Oval 61x22 SE Rustic Gold 8in	Stone Effect	Approved for production

Rev #	Approved by	Change
0	R. Rubio	Released
1	O. Razo	New color and profile

**PROPRIETARY AND CONFIDENTIAL**  
 THE INFORMATION CONTAINED IN THIS DRAWING IS THE SOLE PROPERTY OF WOODCRAFTERS. ANY REPRODUCTION IN PART OR AS A WHOLE WITHOUT THE WRITTEN PERMISSION OF WOODCRAFTERS IS PROHIBITED.

UNLESS OTHERWISE SPECIFIED  
 DIMENSIONS ARE IN INCHES AND [MM]  
 TOLERANCES ARE  
 + 0.125 [3.175] - 0.125 [-3.175]  
 SCALE:1:10

	NAME	DATE
DRAWN	R. Rubio	08/22/16
CHECKED	R. Rubio	08/22/16
ENG APPR.	R. Rubio	08/22/16
MFG APPR.	C. Leal	08/22/16



SIZE DWG. NO. SHEET 2 OF 2  
**A** Vtop Stone Effect, Oval 61x22 REV: **1**