

# BOOKCASE 48"

# Model No. MI3048-

To ensure that you have a speedy and pleasant time assembling your unit  
PLEASE READ THE INSTRUCTIONS CAREFULLY BEFORE BEGINNING ASSEMBLY.  
If you need assistance, DO NOT CALL THE STORE, call us. Our Customer Service Group is here to help you.

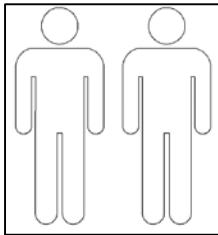
CALL MONDAY-FRIDAY, BETWEEN 8:00AM TO 3:00PM PACIFIC TIME.

Please be sure to follow the construction order in the Assembly Manual and complete each step before you proceed to the next step.

Call: USA  
Plycraft Industries Inc.  
2100 E. Slauson Ave.  
Huntington Park, CA 90255  
E-mail: [plycraft@ix.netcom.com](mailto:plycraft@ix.netcom.com)  
Toll Free Telephone# 1-800-765-9035  
Telephone# 1-323-587-8101  
Fax# 1-323-587-8220

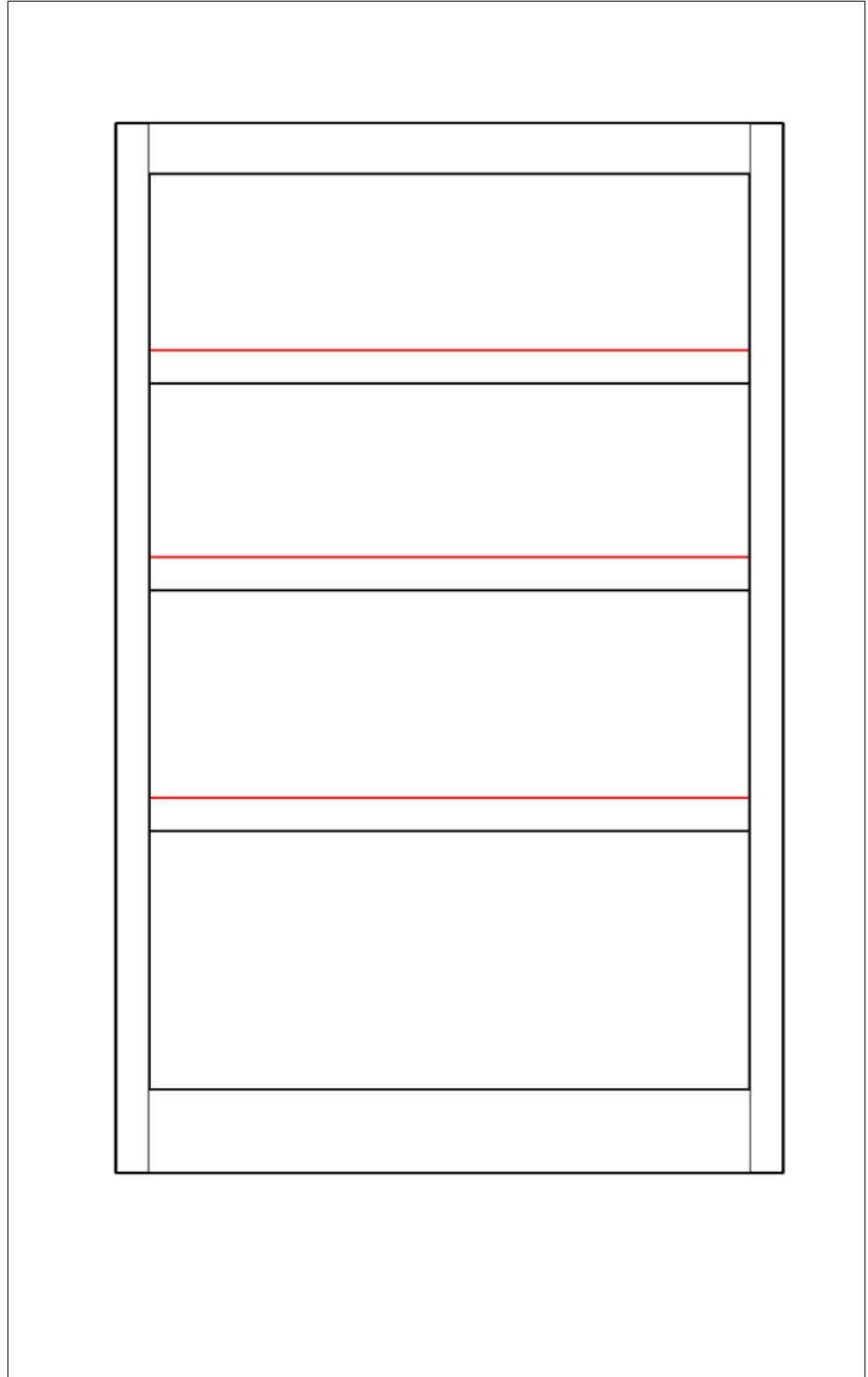
### TOOLS REQUIRED:

Phillips Screwdriver (No Included)  
Rubber Mallet (No Included)



### CAUTION:

Must have 2 people

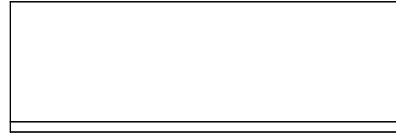


If you need assistance DO NOT CALL THE STORE. call us. Our Customer Service Group is here to help you.  
CALL MONDAY-FRIDAY between 8 AM and 3 PM PACIFIC TIME. Toll Free Telephone: 1-800-765-9035

# PARTS



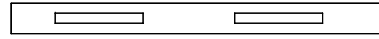
**a) Top (1 pc.)**



**c) Adjustable Shelves (3 pcs.)**



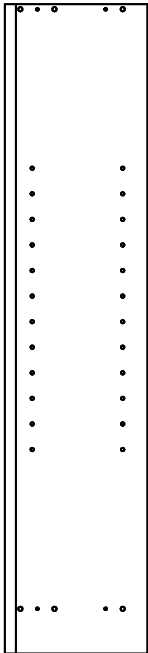
**b) Bottom (1 pc.)**



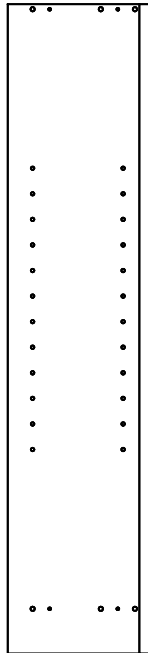
**d) Top Apron (1 pc.)**



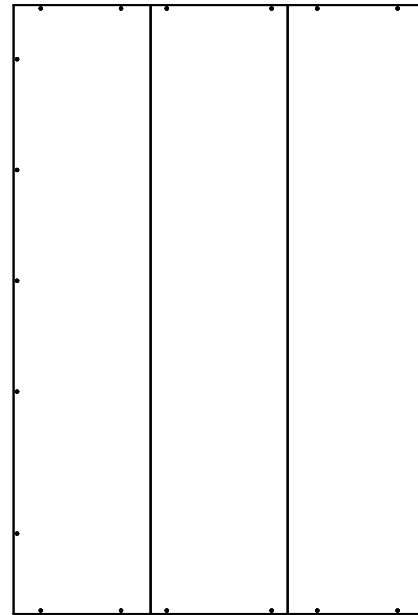
**e) Bottom Apron (1 pc.)**



**f) Left Side (1 pc.)**



**g) Right Side (1 pc.)**



**h) Back Panel (1 pc.)**

# HARDWARE



**i) Wood Dowel 1 3/16" (12 pcs.)**



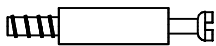
**o) Corner Brace (2 pcs.)**



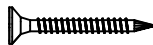
**j) Cam lock (8 pcs.)**



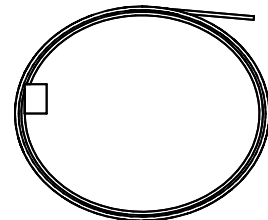
**m) Back Panel Screw 5/8" (23 pcs.)**



**k) Metal Fastener (8 pcs.)**



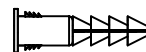
**n) Flat Head Screw 1 1/4" (9 pcs.)**



**p) Nylon Restraint Strap (1 pc.)**

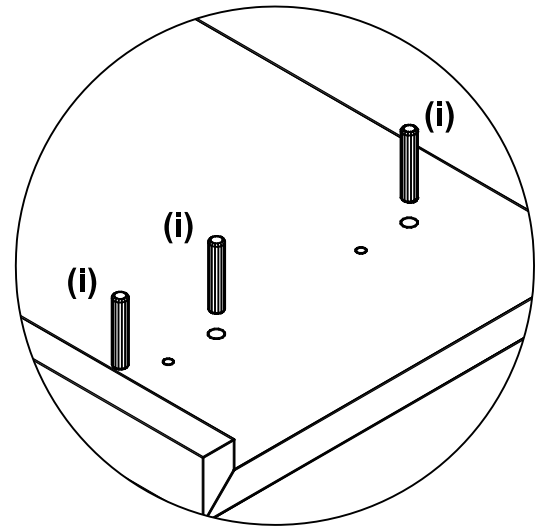
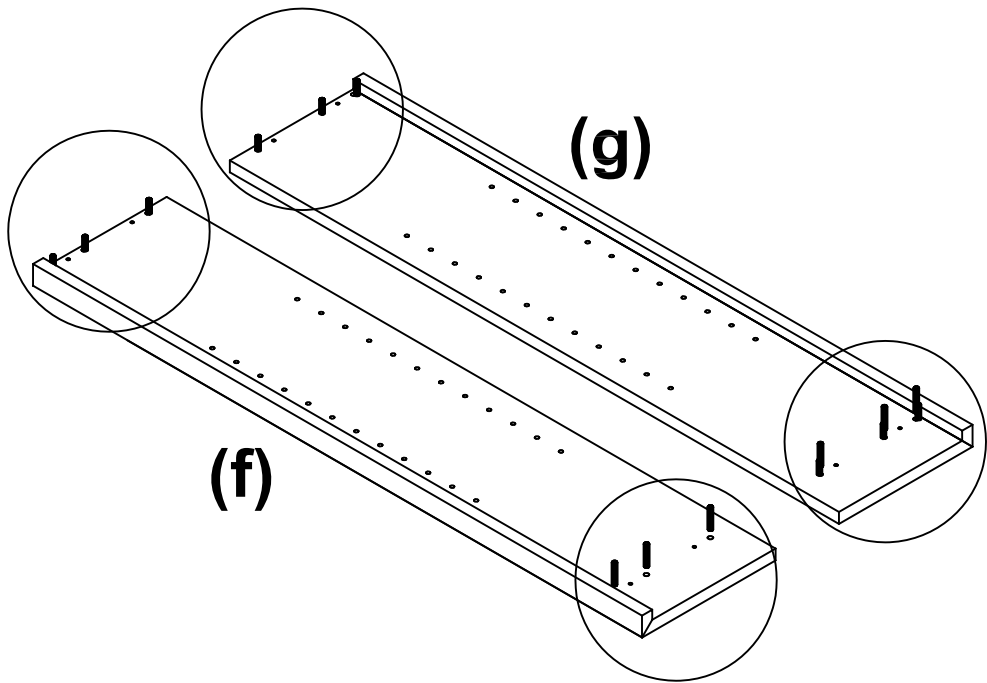


**l) Shelf Support (12 pcs.)**



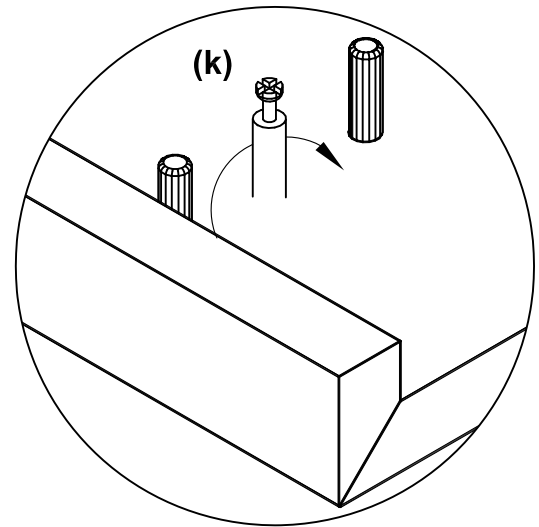
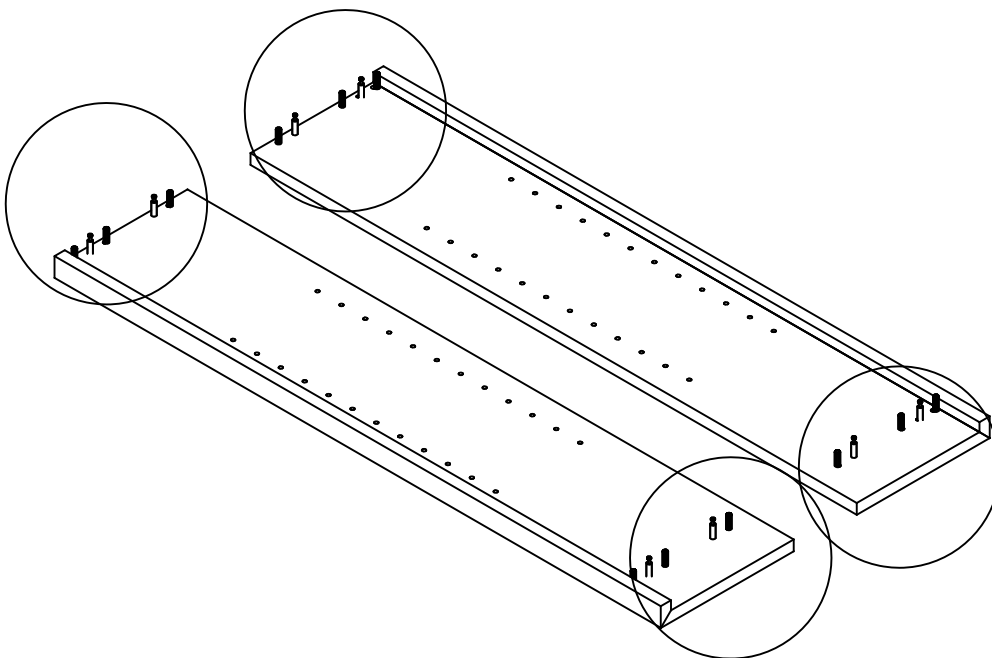
**q) Plastic Anchor (1 pc.)**

**Step 1**



Insert 6-Wood Dowels (i) into each Side Panel holes. See diagram above.

**Step 2**

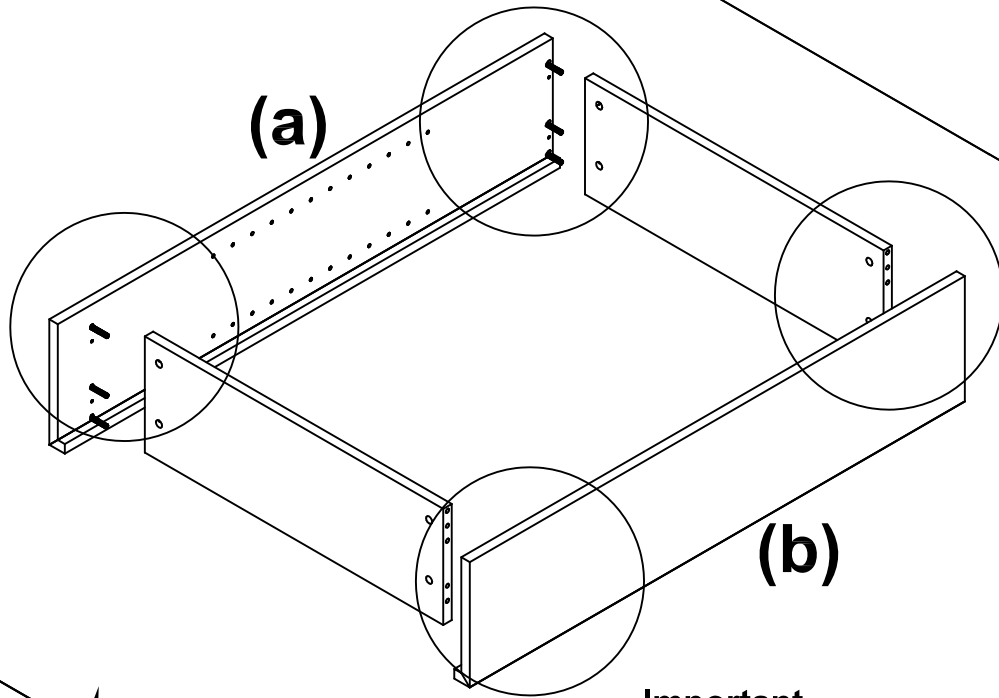


Insert 4-Metal Fasteners (k) into each Side Panel holes. See Diagram above.

DO NOT OVER TIGHTEN

**Step 3**

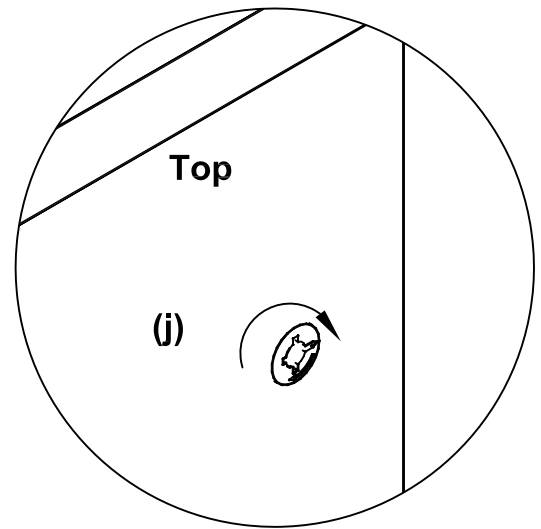
Attach **Top (a)** and **Bottom (b)** with **Side Panels** face down as showing.



Soft surface

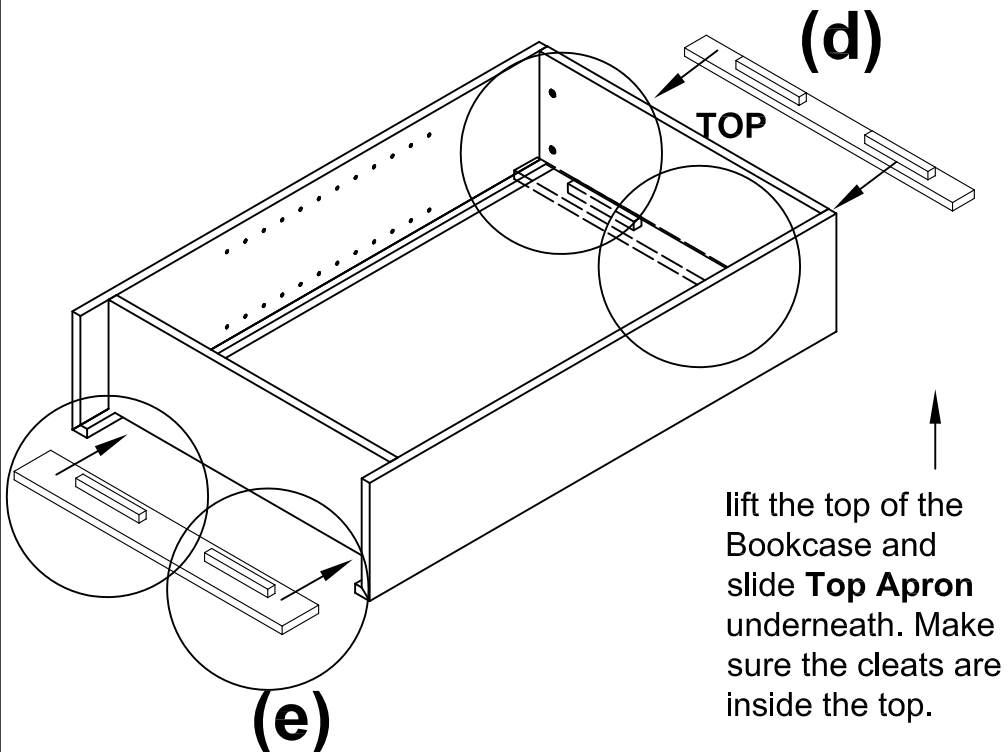
**Important**

Be sure all wood dowels and metal fasteners are located in the opposite holes **BEFORE** insert the cam locks.

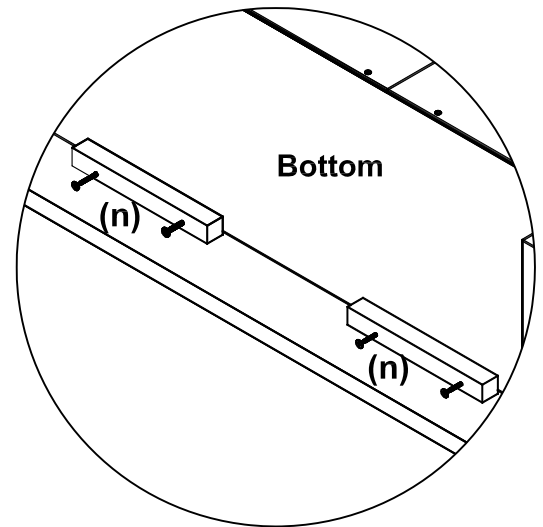


Insert **8-Cam Locks (j)** into the large predrilled holes, point the arrow on the Cam in the direction of the side edge. Push the Cam into the hole. Then use a screwdriver, to turn each Cam approximately 1/2 turn in the direction of the arrow (clock-wise) to lock it in place (Applies only on Top and Bottom). See Diagram above.

**Step 4**



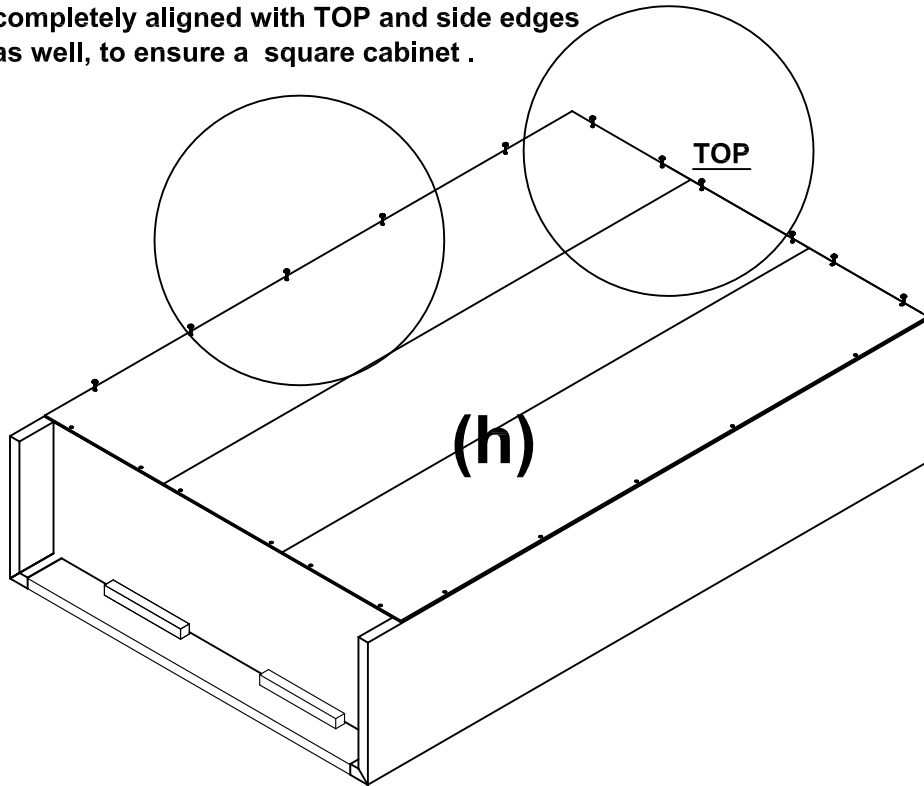
lift the top of the Bookcase and slide **Top Apron** underneath. Make sure the cleats are inside the top.



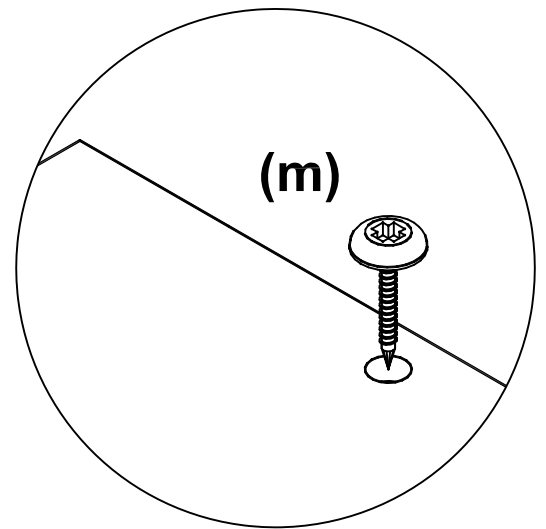
Install **Top Apron (d)** to the Top and **Bottom Apron (e)** to the Bottom with **Flat screws (n)**, press down firmly and carefully to close all gaps. See Diagram above.

## Step 5

**IMPORTANT:** Back Panel must be completely aligned with TOP and side edges as well, to ensure a square cabinet .



**NOTE:** DO NOT LIFT OR TILT ON SIDE OR EDGES.  
DO NOT LIFT UP THE STORAGE CABINET UNTIL BACK PANEL IS INSTALLED.



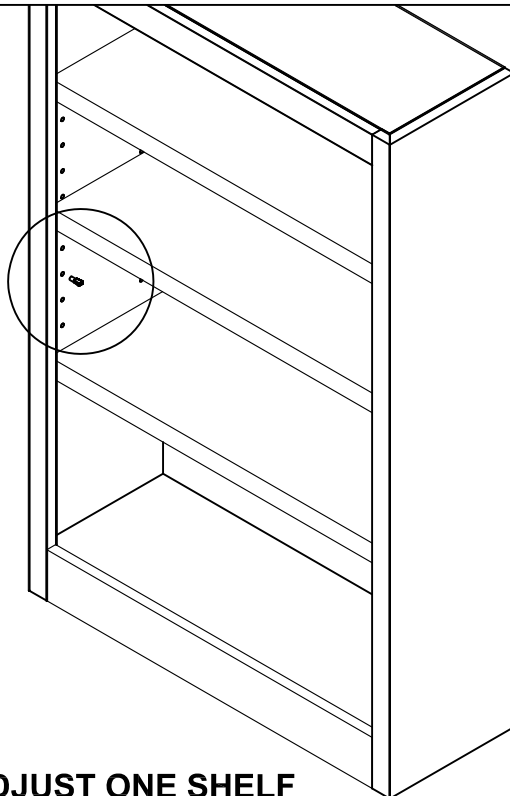
Lay the **BACK PANEL (h)** on the back edges of the Bookcase as shown. **Make sure the BACK PANELS unfinished side faces up.**

Position the **BACK PANEL (h)** flush with the top edge, make sure the **BACK PANEL (h)** does not overlap at the top corners.

Insert and screw 6 **Screws (m)** along the top edge of the **BACK PANELS**, then insert and screw 5 **Screws (m)** along one side edge to square the cabinet. When the cabinet is square insert and screw into the rest of empty pre-drilled holes of the Back Panel.

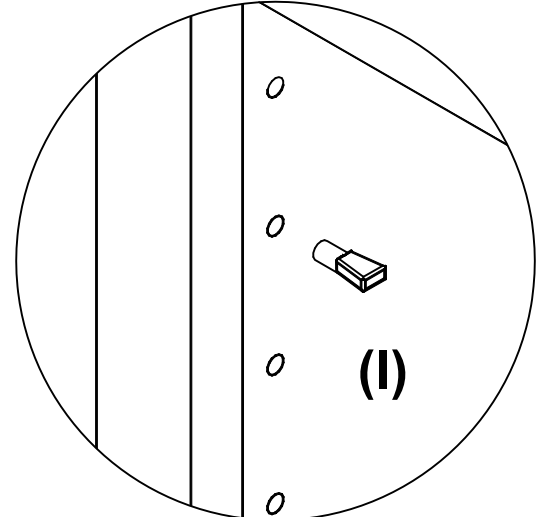
See Diagram above.

## Step 6



**IF NECESSARY ADJUST ONE SHELF SUPPORT BY ROTATING 180°**

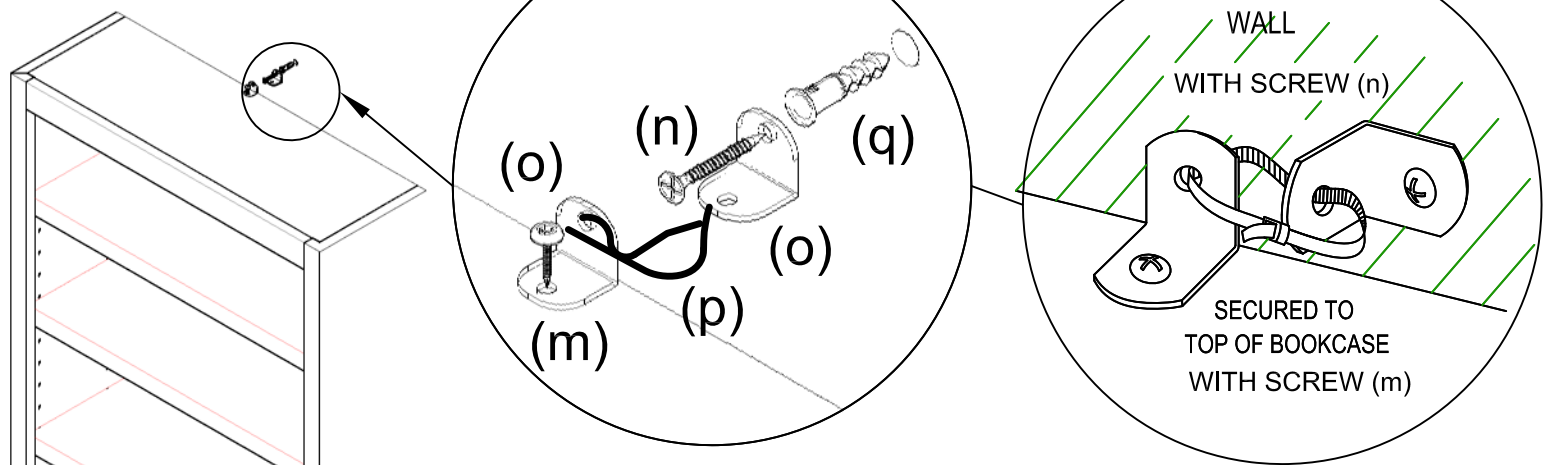
*We sincerely hope you have enjoyed assembling your unit and that you will make good use of it.*



Insert **Shelves Support (l)** into Side holes in the position you decided then place the **Adjustable Shelves (c)**. See Diagram above.

**NOTE:** For safety, it is recommended to place items on the bookcase shelves starting with the bottom shelf first working your way up the bookcase, shelf by shelf to top shelf. As an added safety feature, we recommend to affix the bookcase to the wall.

## Step 7



Young children may be injured by tipping furniture. The use of a tipping restraint is highly recommended. This hardware, when properly installed, could provide protection against the unexpected tipping of furniture due to improper use.

**WARNING:** This product is only a deterrent. It is not a substitute for proper adult supervision.

### Installation Instructions:

1. Attach one of the mounting brackets (o) securely to the top back edge of the furniture. Use one of the SHORTER screws (m) to securely attach the bracket (o) to bookcase.
2. Determine where furniture is to be placed and mark location on the wall for the mounting bracket screw hole approximately 2" below the bracket mounted to the edge of the furniture.
3. Drill a 3/16" hole in the wall. Press the plastic anchor (q) into the hole and gently tap until the flange on the anchor is against the wall surface.
4. Position the bracket (o) over the anchor and use one of the LONGER screws (n) to securely attach the bracket to wall.
5. Place the furniture so that the bracket (o) on the back edge is in line with the bracket (o) on the wall.
6. Lace an end of the nylon restraint strap (p) down through each bracket (o). Bring both ends together and slide the end of the strap through the slot in the other end until snug.  
**(Caution: The rough serrated edge must be to the inside of the loop or it will not lock into place.)**
7. Check to make sure the strap is securely laced and locked to the brackets.

## KIT TO SECURE BOOKCASE TO THE WALL

If you need assistance DO NOT CALL THE STORE, call us. Our Customer Service Group is here to help you.  
CALL MONDAY-FRIDAY between 8 AM and 3 PM PACIFIC TIME. Toll Free Telephone: 1-800-765-9035