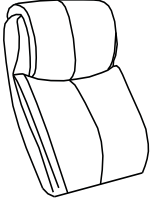

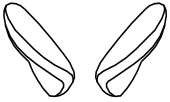

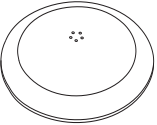

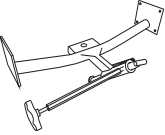
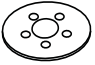
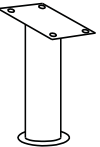

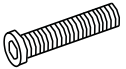

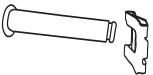
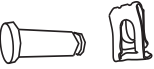

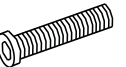
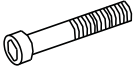

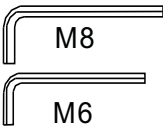
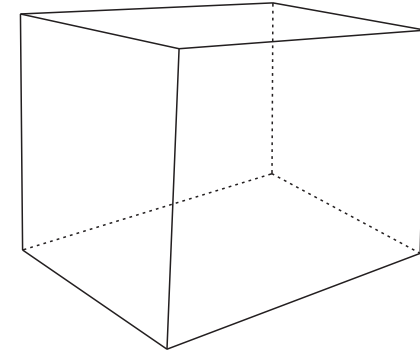


# DENMRK

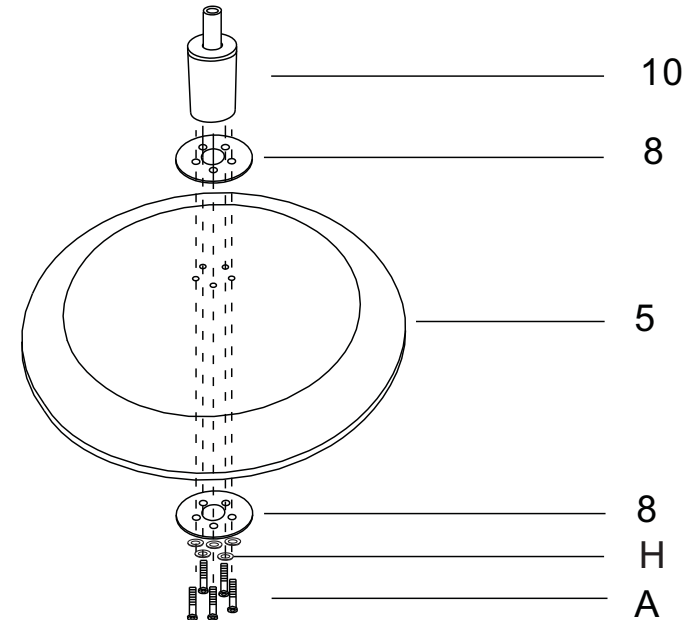
 1	 2	 3	 4	
 5	 6	 7	 2pcs 8	
 9	 10			
 M8*50 5pcs A	 M8*20 8pcs B	 M8*50 1pcs 1pcs C	 M8*20 2pcs 2pcs D	 M6*20 4pcs E
 M8*40 3pcs F	 M8*60 2pcs G	 8*22*2 8pcs H	 M8 M6 I	

1

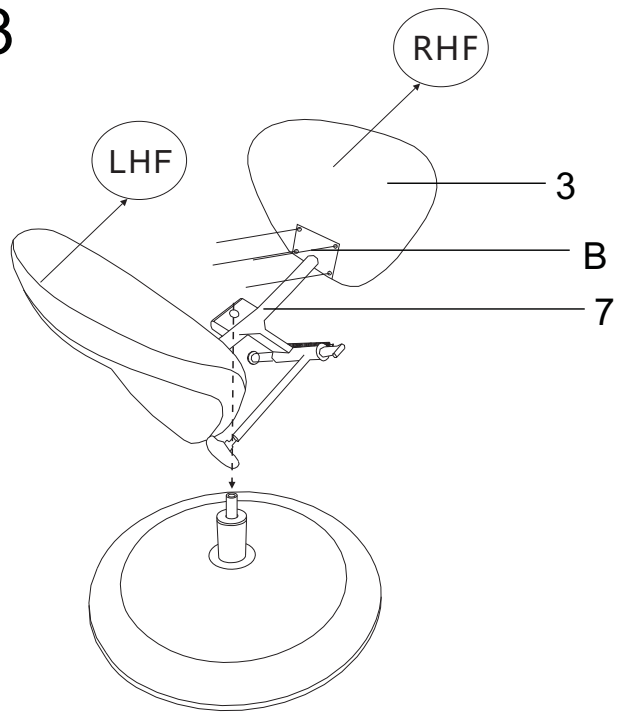


Take out all the chair parts from the carton.  
Tape the empty carton. Use the empty carton  
as a platform to assemble the chair

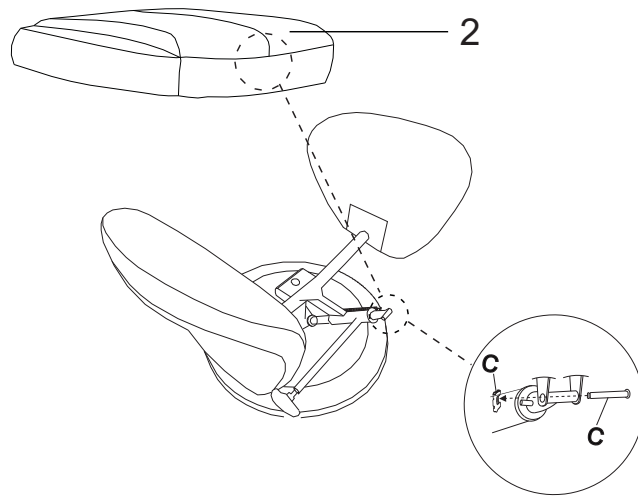
2



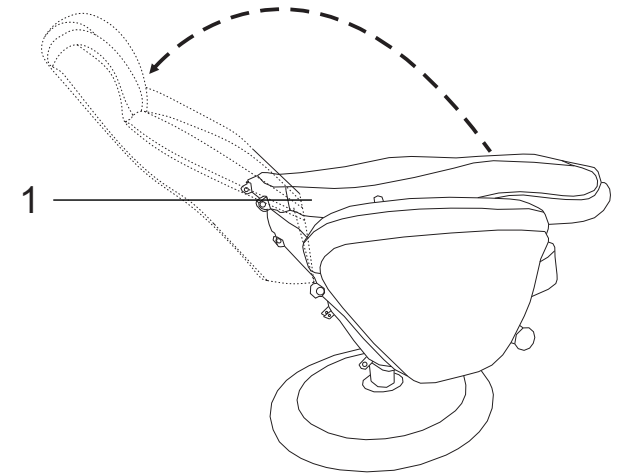
3



4

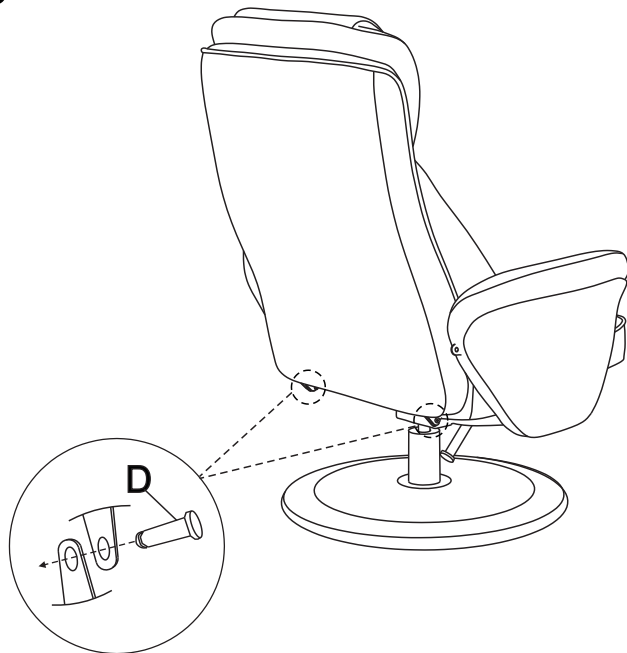


5

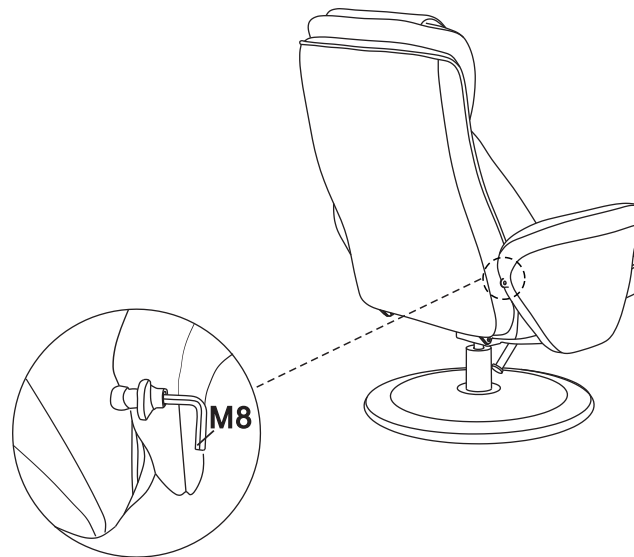


Backrest goes backward between 110-180(rad).

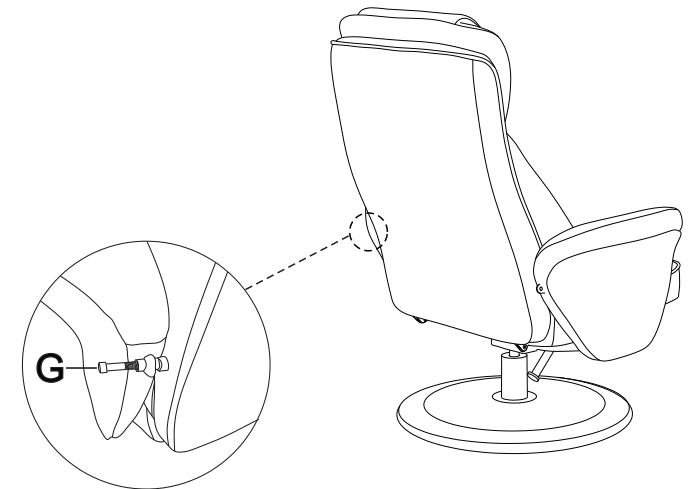
6



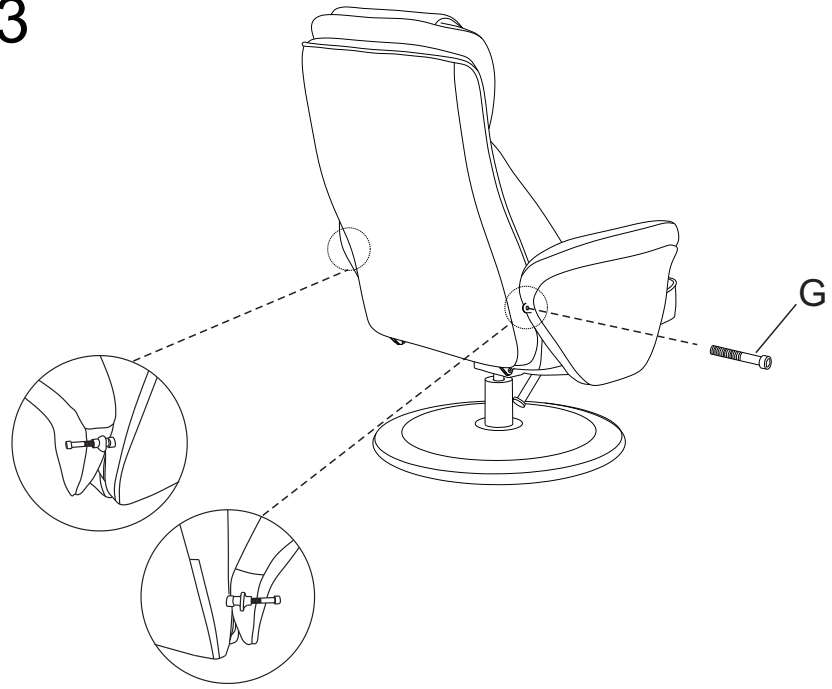
7-1



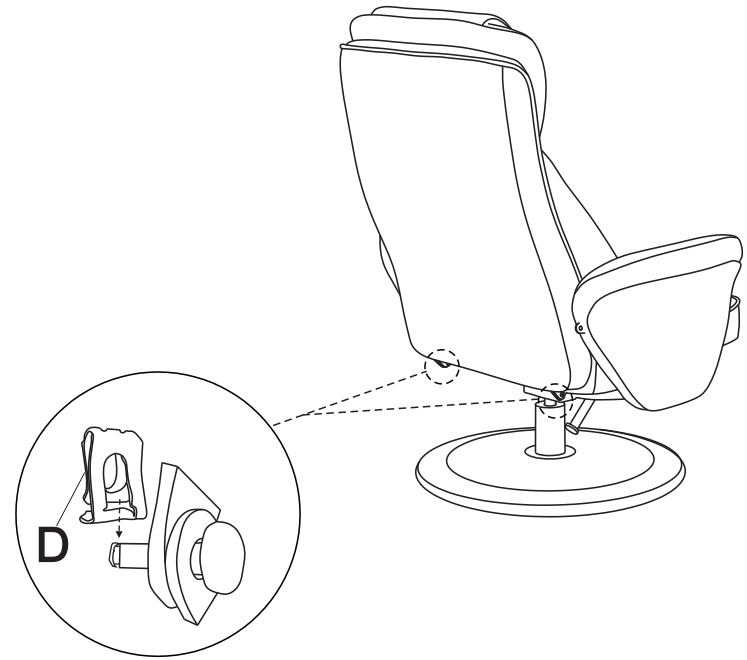
7-2



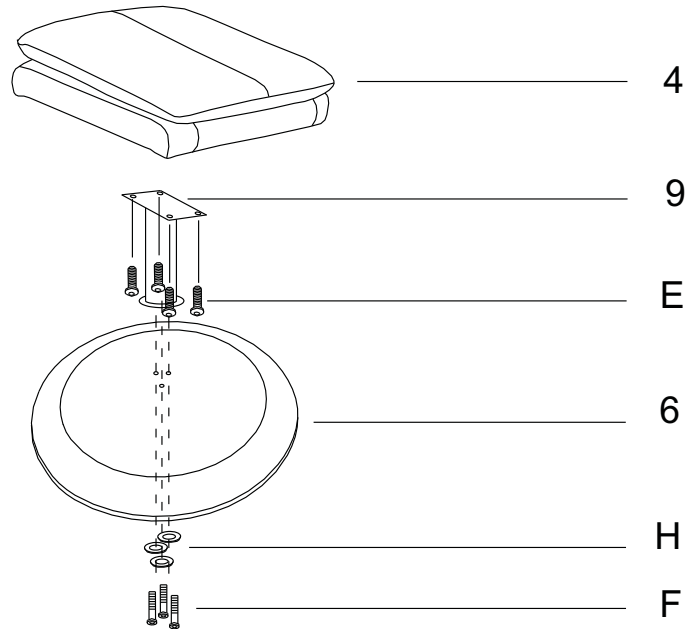
7-3



8



9



10

