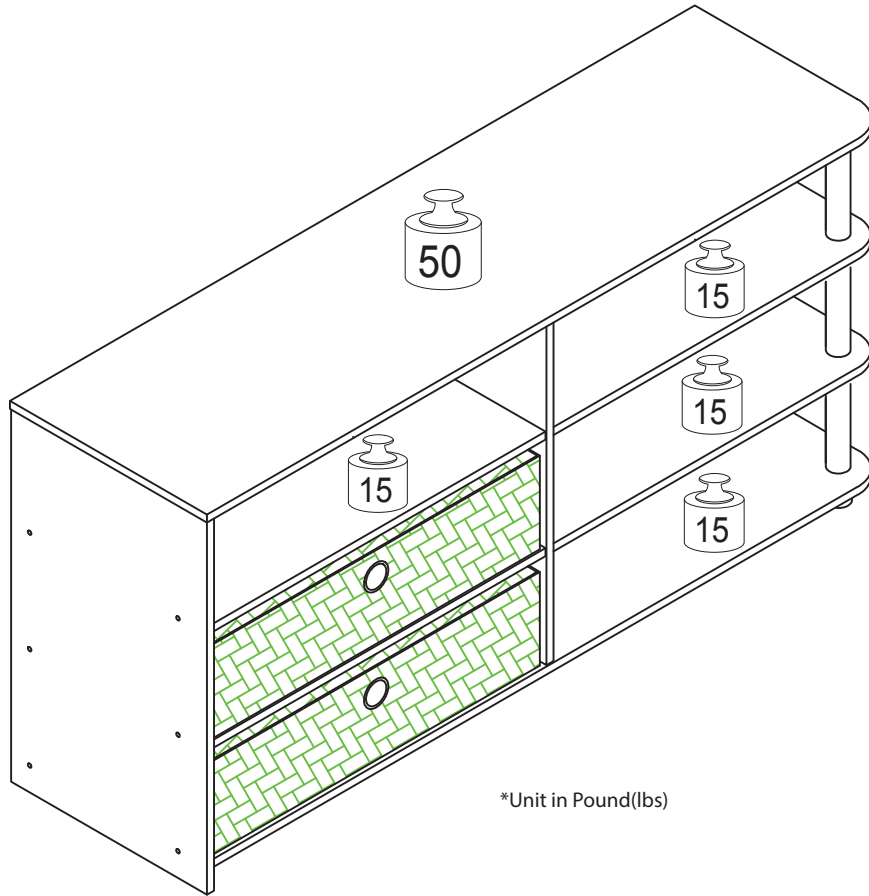


Recommended Maximum Weight



\*Unit in Pound(lbs)

**WARNING:**

>This unit has been designed to support the maximum loads shown. Exceeding these load limits could cause sagging, instability, product collapse, and/or serious injury.

>DO NOT allow children to climb on unit.

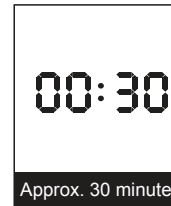
>Put heavier items on lower shelves.



**Assembly Instruction**

Furinno JAYA Simple Design TV Stand with Bins (up to 50-Inch)

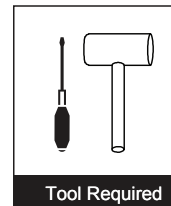
MODEL : 15078



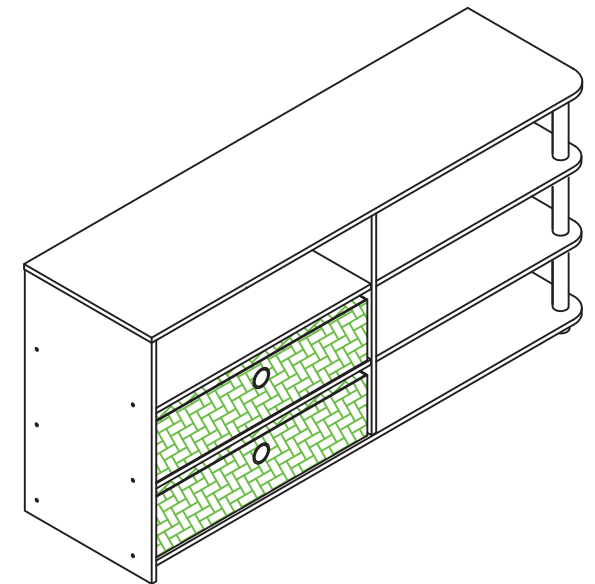
Approx. 30 minutes



Recomm. 2 Person



Tool Required



















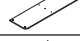

**Customer Support**

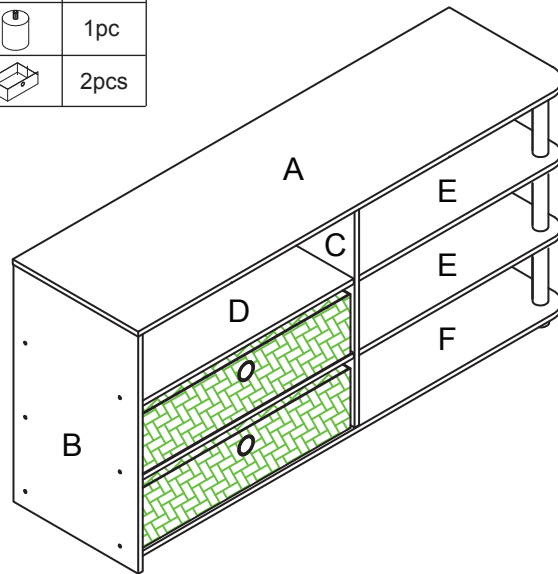
**NEED HELP?** For replacement requests or product inquiries, please contact our Customer Service Team by emailing us at [support@furinno.com](mailto:support@furinno.com). Thank you for selecting Furinno!

[www.furinno.com](http://www.furinno.com)



No	Hardware List	Qty
1	Mini Fix Bolt+Cam  	4pcs
2	C/B Screw 	12pcs
3	Short Dowel 	12pcs
4	Long Dowel 	4pcs
5	Nail Leg 	2pcs
6	Power Pin 	20pcs
7	Short Round Pole 	6pcs
8	Round Leg 	2pcs
9	Round Plug Leg 	1pc
10	Non-Woven Bin 	2pcs

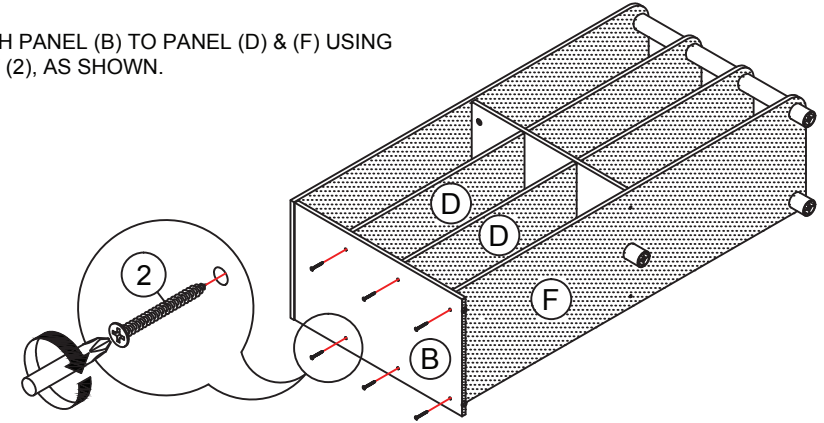
No	Parts List	Qty
A	Top Panel 	1pc
B	Left Side Panel 	1pc
C	Center Side Panel 	1pc
D	Left Shelf Panel 	2pcs
E	Right Shelf Panel 	2pcs
F	Bottom Panel 	1pc
G	Back Panel 	2pcs



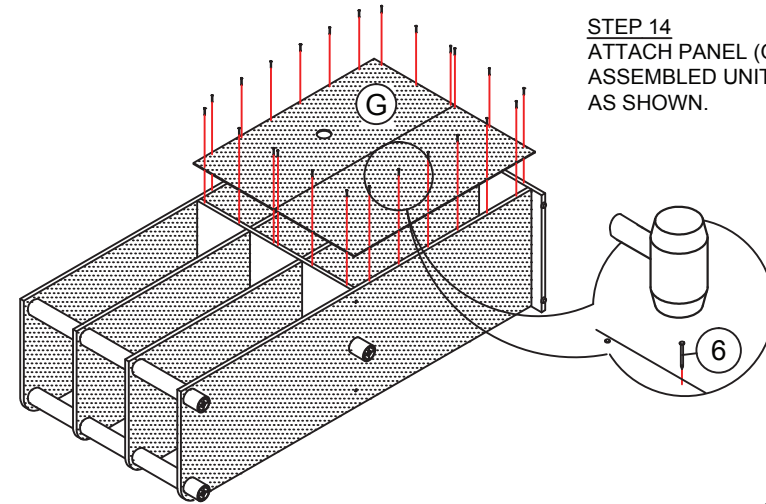
#### **USEFUL HINTS BEFORE YOU START:**

1. Read each step carefully before starting.
2. It is important that each step is performed in correct order to avoid difficulties.
3. Identify, sort and count the parts before assembly.
4. Assemble your furniture on packaging cardboard to prevent scratch or damage.
5. Clean the product with mild cleanser using soft damped cloth. Do not use harsh or abrasive cleanser.
6. Using incompatible hardware might cause damage to product.

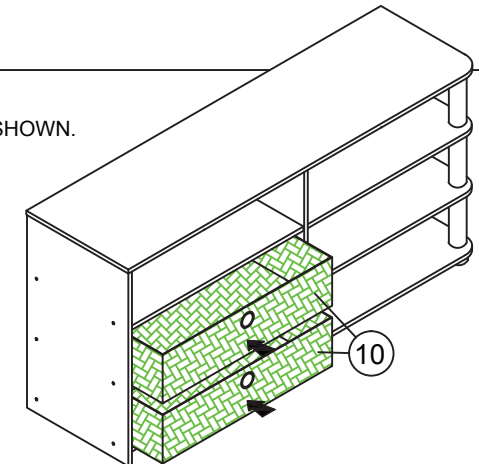
**STEP 13**  
- ATTACH PANEL (B) TO PANEL (D) & (F) USING SCREW (2), AS SHOWN.



**STEP 14**  
ATTACH PANEL (G) TO BACK POSITION OF ASSEMBLED UNIT USING POWER PIN (6), AS SHOWN.

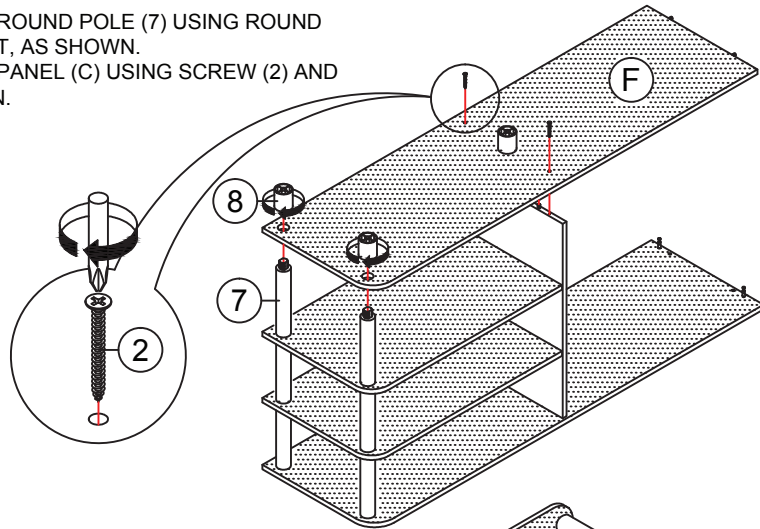


**STEP 15**  
ATTACH NON-WOVEN BIN (10) TO PANEL, AS SHOWN.



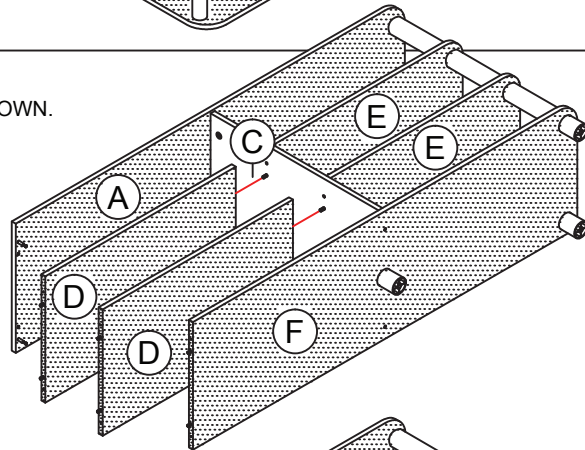
**STEP 10**

- ATTACH PANEL (F) TO ROUND POLE (7) USING ROUND LEG (8) AND TIGHTEN IT, AS SHOWN.
- ATTACH PANEL (F) TO PANEL (C) USING SCREW (2) AND TIGHTEN IT, AS SHOWN.



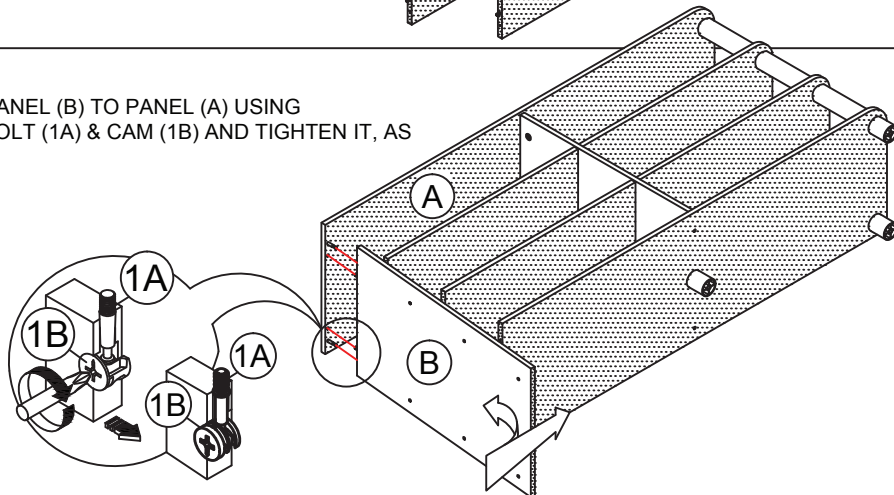
**STEP 11**

ATTACH PANEL (D) TO PANEL (C), AS SHOWN.



**STEP 12**

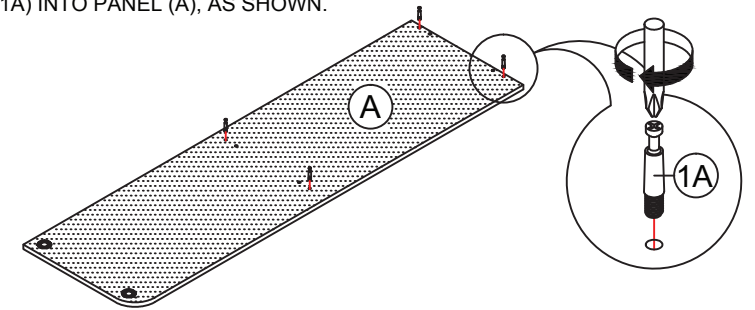
ATTACH PANEL (B) TO PANEL (A) USING MINI FIX BOLT (1A) & CAM (1B) AND TIGHTEN IT, AS SHOWN.



**ASSEMBLY INSTRUCTION**

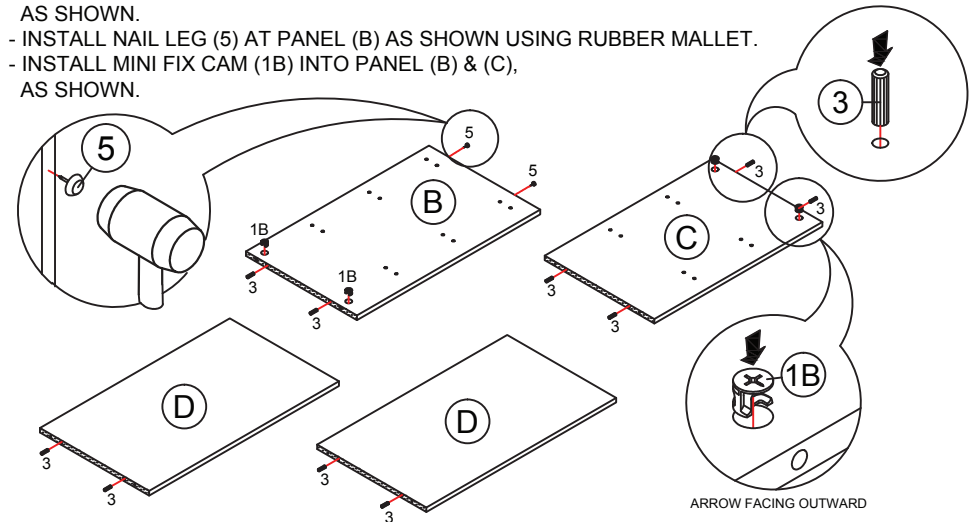
**STEP 1**

INSTALL MINI FIX BOLT (1A) INTO PANEL (A), AS SHOWN.



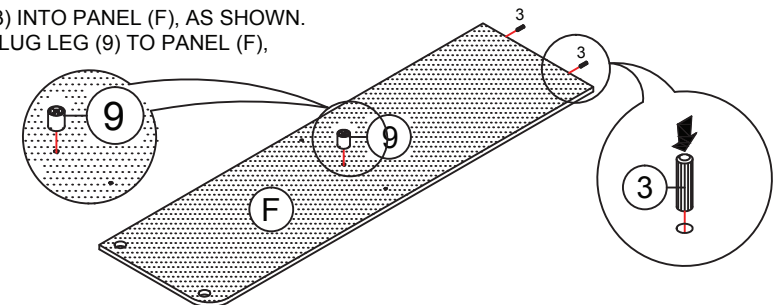
**STEP 2**

- INSTALL DOWEL (3) INTO PANEL (B) (C) & (D), AS SHOWN.
- INSTALL NAIL LEG (5) AT PANEL (B) AS SHOWN USING RUBBER MALLET.
- INSTALL MINI FIX CAM (1B) INTO PANEL (B) & (C), AS SHOWN.

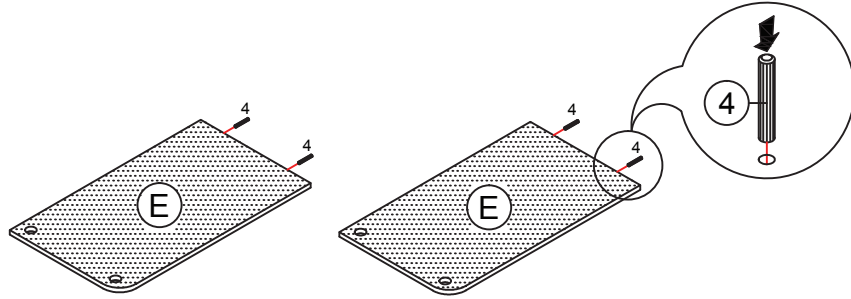


**STEP 3**

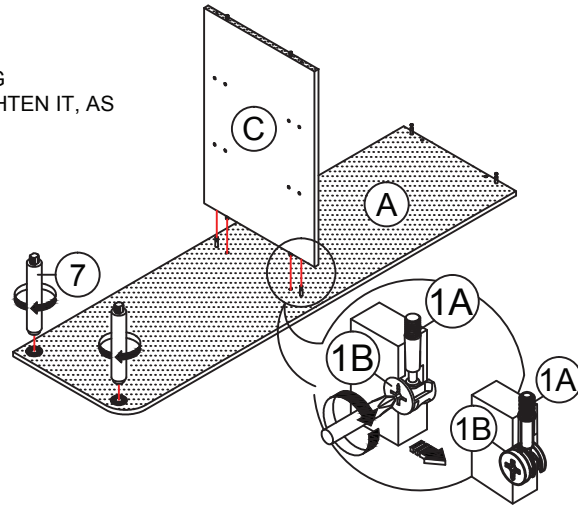
- INSTALL DOWEL (3) INTO PANEL (F), AS SHOWN.
- ATTACH ROUND PLUG LEG (9) TO PANEL (F), AS SHOWN.



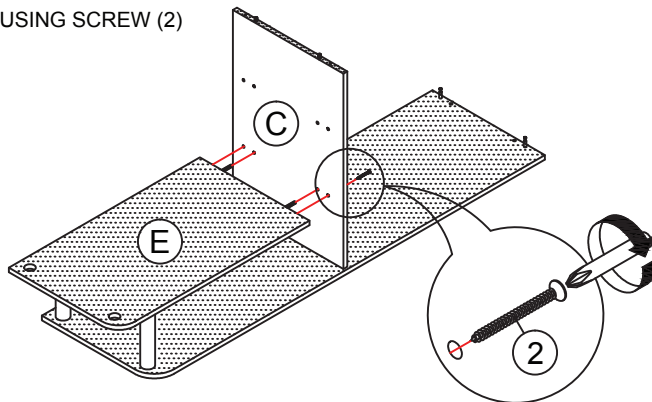
**STEP 4**  
INSTALL DOWEL (4) INTO PANEL (E), AS SHOWN.



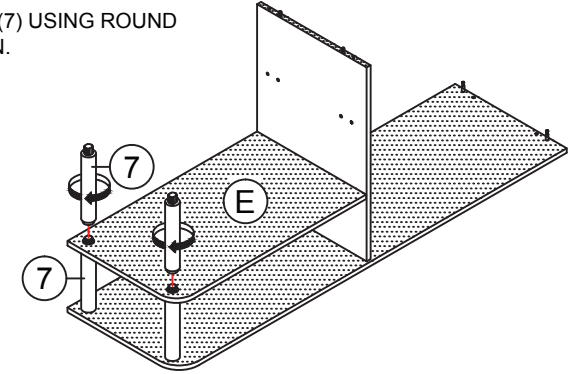
**STEP 5**  
- ATTACH ROUND POLE (7) TO PANEL (A) AND TIGHTEN IT, AS SHOWN.  
- ATTACH PANEL (C) TO PANEL (A) USING MINI FIX BOLT (1A) & CAM (1B) AND TIGHTEN IT, AS SHOWN.



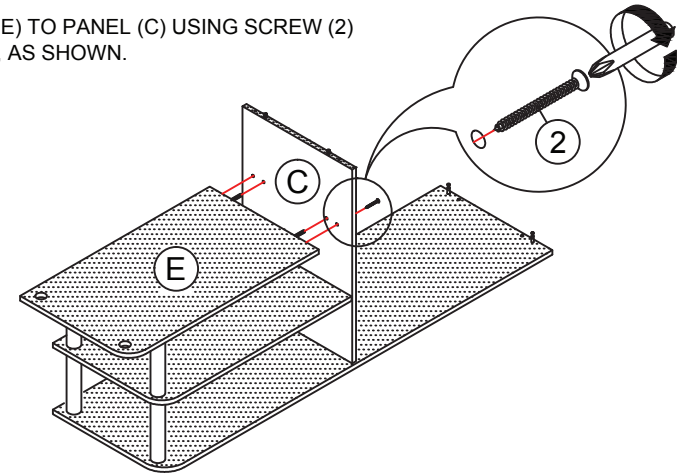
**STEP 6**  
ATTACH PANEL (E) TO PANEL (C) USING SCREW (2) AND TIGHTEN IT, AS SHOWN.



**STEP 7**  
ATTACH PANEL (E) TO ROUND POLE (7) USING ROUND POLE (7) AND TIGHTEN IT, AS SHOWN.



**STEP 8**  
ATTACH PANEL (E) TO PANEL (C) USING SCREW (2) AND TIGHTEN IT, AS SHOWN.



**STEP 9**  
ATTACH PANEL (E) TO ROUND POLE (7) USING ROUND POLE (7) AND TIGHTEN IT, AS SHOWN.

