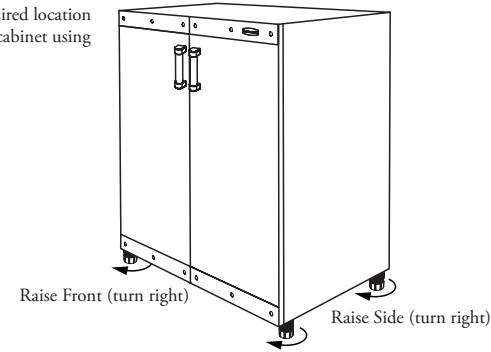


**STEP 13**

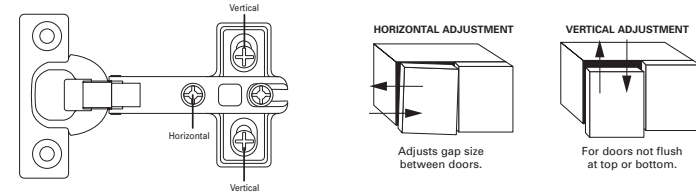
**Floor Mounting Adjusting Feet**

Place cabinet in desired location against wall. Level cabinet using adjustable feet.

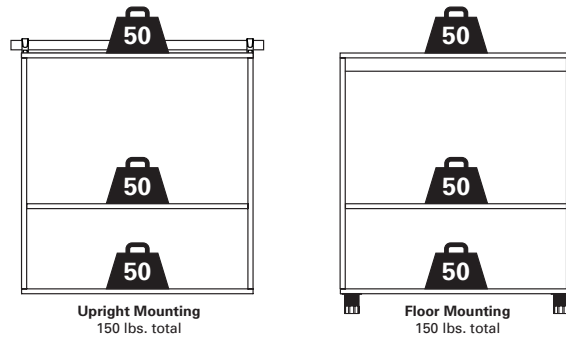


**STEP 14**

Ensure cabinet is square prior to adjusting hinges.



**Load Capacity**



Base top of cabinet    Base top of cabinet

**5M17 WorkTop Installation**  
Intended for use with two FastTrack® base cabinets

**1**

- Remove shelves from inside of cabinets.
- Use 1/8" drill bit. Drill through cabinet tops four times equally spaced. Refer to Figure 1

**2**

- Align worktop over two base cabinets.
- Screw (4) #8 - 1" wood screws into the holes. (NOT INCLUDED)

Figure 1

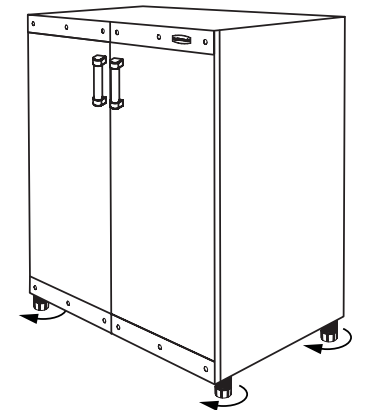
**Rubbermaid®**  
**FastTrack®**

**5M13 – Two Door Base Cabinet Assembly Steps**

L8-5M13-P0

Rubbermaid Incorporated,  
Huntersville, NC USA 28078-1801  
U.S.A. 1-888-895-2110  
Canada 1-866-595-0525  
[www.rubbermaid.com](http://www.rubbermaid.com)

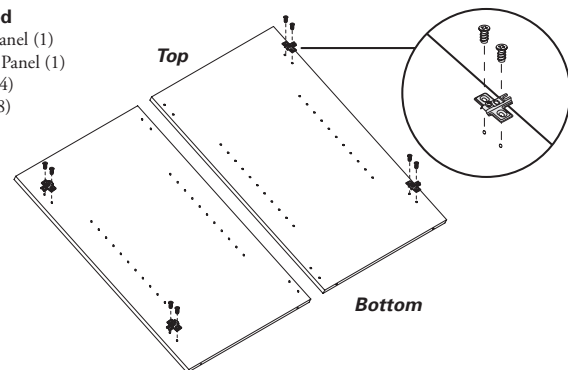
A *NewellRubbermaid* Company



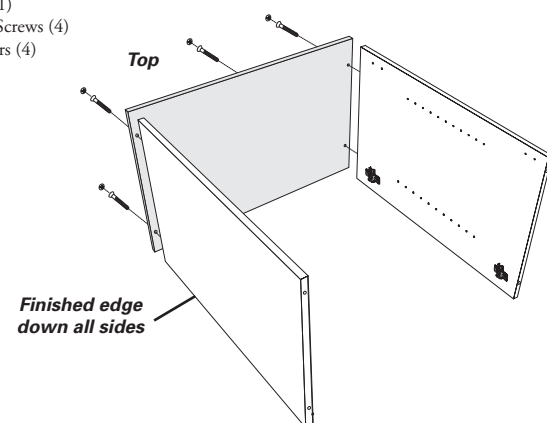
Pieces		Qty	Pieces		Qty
Right/Left Vertical Panel (3814713)		2	Upright Bracket (L/R) (NP5M2000)		2
Top/Bottom Panel (3814705)		2	Euro Screws, 6mm x 10mm (1602392)		12
Backer Board (2901884)		1	Plastic Screw Covers (1812256)		4
Left Door (3814739)		1	Handles with Screws, #8 x 1-1/4", Phillips (NP5M2100)		2
Right Door (3814721)		1			4
Hinge Plates (1608770)		4	Door Pads (1811399)		4
Hinges (NP5M2200)		4	Confirmat Screws, 5mm x 40mm (1602376)		8
Adjustable Shelf (3814698)		1	Nails (1608217)		22
Shelf Support Pins (FG3F80H1CHROM)		4	Hinge Plate Screws, #6 x 5/8" (1602160)		8
Metal Plates (NP5M2400)		4	Pan Head Screws, #8 x 1/2", Phillips (1604281)		4
Metal Plate Fasteners with Screws (NP5M2500)		12	Feet with Screws, #8 x 5/8", Phillips, Flat Head (NP5M2300)		4
					12

**STEP 1****Parts Required**

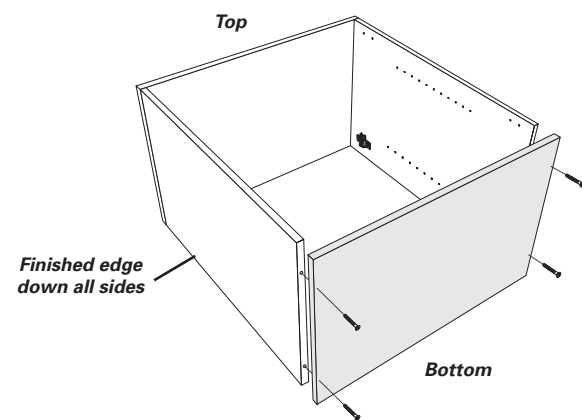
- Left Vertical Panel (1)
- Right Vertical Panel (1)
- Hinge Plates (4)
- Euro Screws (8)

**STEP 2****Parts Required**

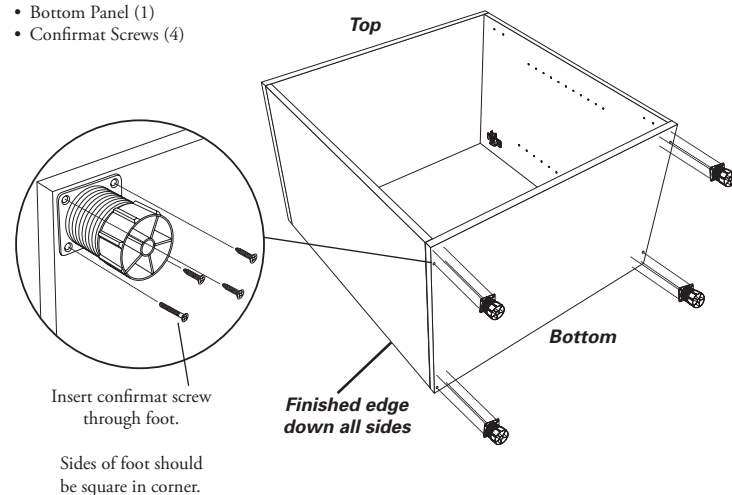
- Top Panel (1)
- Confirmat Screws (4)
- Screw Covers (4)

**Choose Your Installation Method, Upright Mount or Floor Mount****STEP 3A****Upright Mount Instructions****Parts Required**

- Bottom Panel (1)
- Confirmat Screws (4)

**STEP 3B****Floor Mount Instructions****Parts Required**

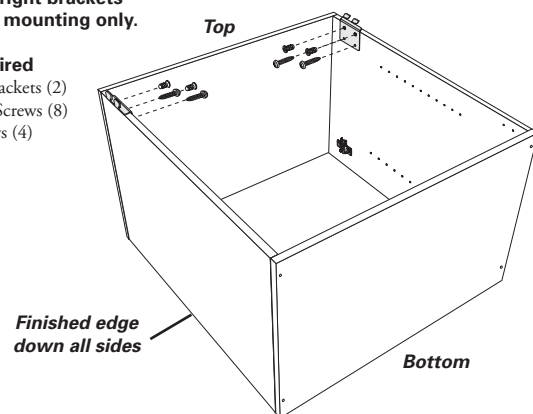
- Foot (4)
- Foot Screws (12)
- Bottom Panel (1)
- Confirmat Screws (4)

**STEP 4**

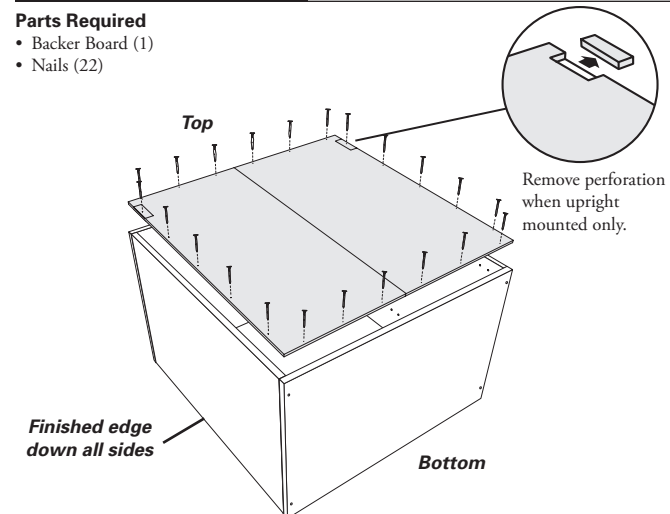
Use the upright brackets for upright mounting only.

**Parts Required**

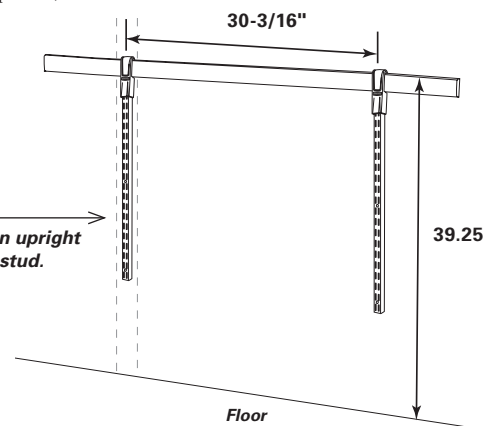
- Upright Brackets (2)
- Pan Head Screws (8)
- Euro Screws (4)

**STEP 5****Parts Required**

- Backer Board (1)
- Nails (22)

**Measurements**

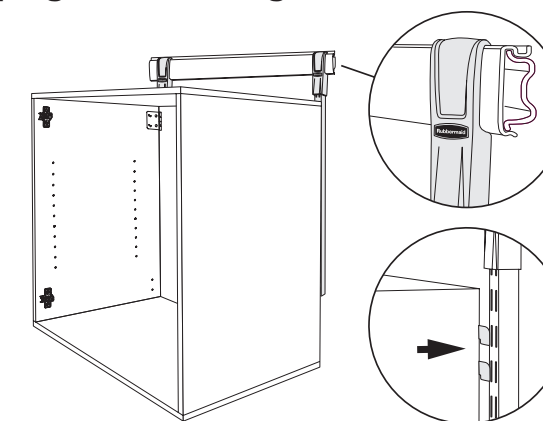
Rail mounting requires a minimum height of 39.25" for base cabinets. Center to center measurement between rails is 30-3/16". Attach rail to wall per instructions provided with rail. (Dimensions to top of rail)

**Important:**

One upright must be attached to stud.

If two cabinets share an upright it must be attached to stud.

**HAZARD: If upright is not attached to stud, the load claim is null and void.**

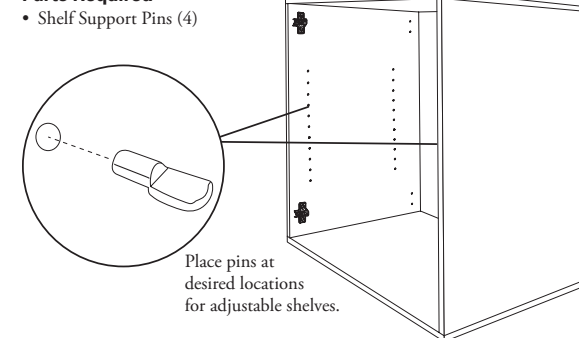
**STEP 6****Upright Mounting Instructions**

Top hook should be inserted in the 2nd open notch from the gripper on the inside row of notches.

**HAZARD: Use two or more people to install cabinet. Failure to do so can result in back or other injury.**

**STEP 7****Shelf and Door Assembly Instructions****Parts Required**

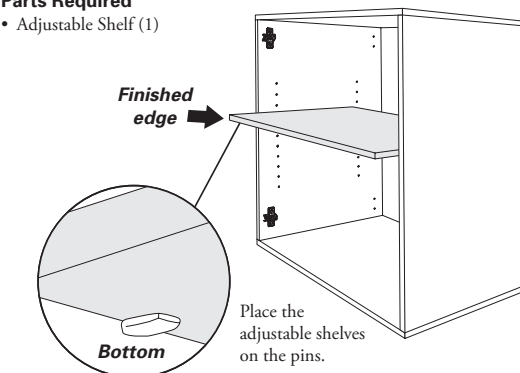
- Shelf Support Pins (4)



Place pins at desired locations for adjustable shelves.

**STEP 8****Parts Required**

- Adjustable Shelf (1)

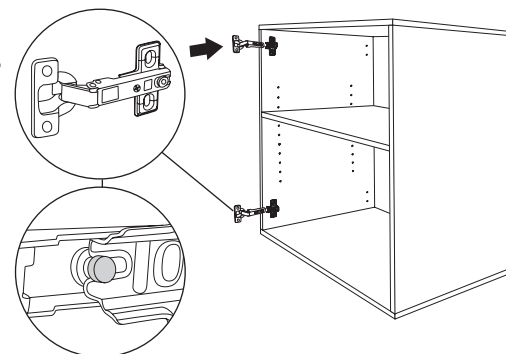


Place the adjustable shelves on the pins.

**STEP 9****Parts Required**

- Hinges (4)

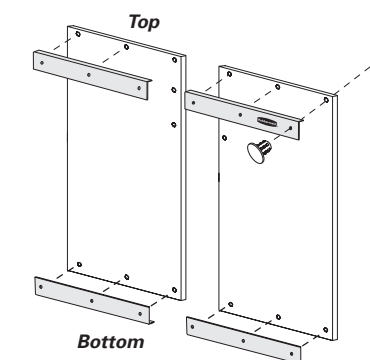
Install hinges to hinge plates. Repeat for other side.



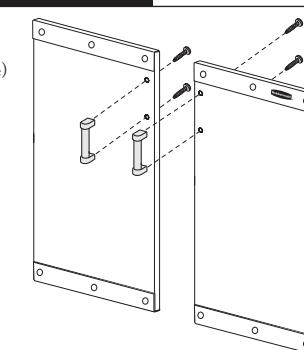
Center hinge plate screw in hinge slot.

**STEP 10****Parts Required**

- Doors (2)
- Metal Plates (4)
- Metal Plate Fasteners with Screws (12)

**STEP 11****Parts Required**

- Handles (2)
- Handle Screws (4)

**STEP 12****Parts Required**

- Hinge Plate Screws (8)
- Door Pads (4)

Assemble doors to the cabinet.

