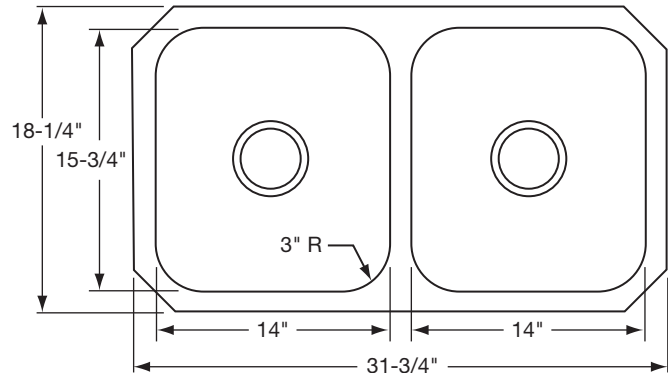


GENERAL FEATURES

- Undermount
- 20 gauge stainless steel
- Brilliant satin finish
- 8" depth
- Overall size: 31-3/4" x 18-1/4"
- 3-1/2" center drain opening
- Cutout dimension: use the template furnished with sink which produces a 1/2" reveal
- Mounting brackets included
- Sound insulation – spray undercoating on bottom
- Minimum cabinet size: 36"
- Limited lifetime warranty
- Does not comply with ASME A112.19.3



RECOMMENDED ACCESSORIES

Bottom Grid: NBG1416CR, LKWBG1416SS

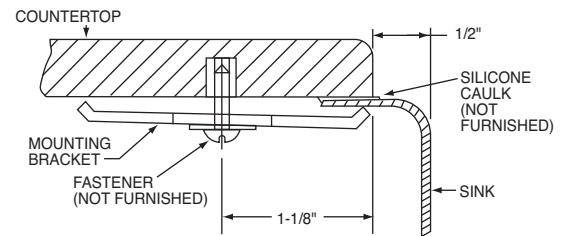
Cutting Board: CB1516

Drain: D1125, LK35, LK99

Rinsing Basket: NRB1416CR, LKW RB1316SS (LKWUCSS)

Installation Profile

The template provided with each NUH sink provides the only type of installation recommended by Elkay.



ALL DIMENSIONS IN INCHES, TO CONVERT TO MILLIMETERS MULTIPLY BY 25.4.

In keeping with our policy of continuing product improvement, Elkay reserves the right to change product specifications without notice. Please visit elkayusa.com for most current version of Elkay product specification sheets.

This specification describes an Elkay product with design, quality and functional benefits to the user. When making a comparison of other producers' offerings, be certain these features are not overlooked.