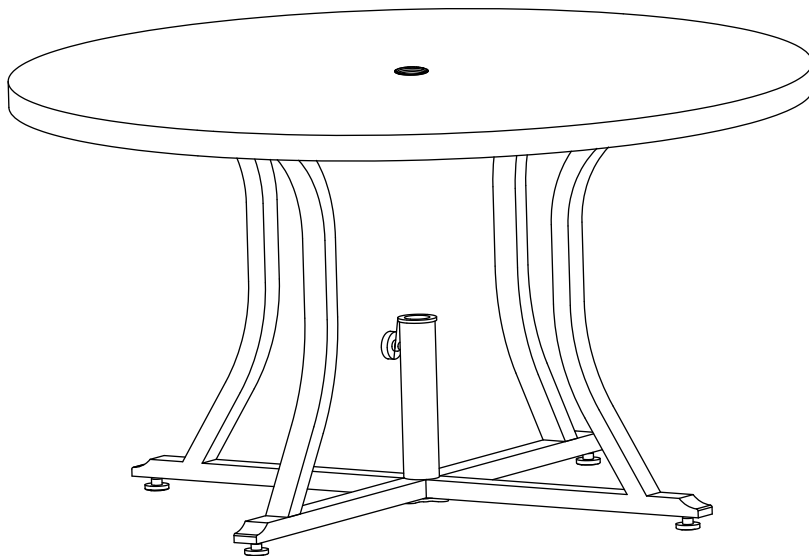




Item # 000 000 000
000 000 000
Model # FTS81084A
FTS81084AG

USE AND CARE GUIDE

BEACON PARK STEEL 48 IN. DINING TABLE



Questions, problems, missing parts? Before returning to the store,
call Hampton Bay Customer Service
8 a.m. - 7 p.m., EST, Monday - Friday, 9 a.m. - 6 p.m., EST, Saturday

1-855-HD-HAMPTON

HAMPTONBAY.COM

THANK YOU

We appreciate the trust and confidence you have placed in Hampton Bay through the purchase of this dining table. We strive to continually create quality products designed to enhance your home. Visit us online to see our full line of products available for your home improvement needs. Thank you for choosing Hampton Bay!

Table of Contents

Table of Contents	2	Pre-Assembly	3
Important Safety Instructions	2	Planning Assembly	3
Save These Instructions	2	Hardware Included	3
Read All Instructions Before Use	2	Package Contents	4
Warranty	3	Assembly	5
What is Covered	3	Care and Cleaning	8
What is Not Covered	3		

Important Safety Instructions

SAVE THESE INSTRUCTIONS



WARNING: This dining table was as made for the explicit purpose of providing outdoor functions and is not to be used as a toy. This product is intended for normal outdoor use; however, the manufacturer recommends storing and / or covering this product when any formidable / severe weather is approaching.



WARNING: Do not locate this product near open flames. Do not use this product as a support. Do not shake, lean or climb on the product. Children under the age of 10, near the product, should be supervised by a competent adult at all times. This product is NOT intended for commercial use and will void the warranty.

READ ALL INSTRUCTIONS BEFORE USE

To reduce the risk of injury to persons:

1. Close supervision is necessary when this product is used by or near children, or disabled persons, if applicable.
2. Use this furnishing only for its intended use as described in these instructions. Do not use attachments not recommended by the manufacturer.
3. Please keep children out of the assembly area before assembly.



WARNING: This table unit is heavy, and may require two adults for safe assembly.



WARNING: Never use this product as a support. Do not shake, lean, or climb on the product at any time.



CAUTION: When not in use, secure the product in a cool and covered location.



CAUTION: Do not place heavy objects on the table top.

Warranty

2 YEAR LIMITED WARRANTY

WHAT IS COVERED

We warrant the frames to be free of manufacturing defects to the original purchaser for two years.

WHAT IS NOT COVERED

It remains the customer's responsibility for freight and packaging charges to and from our service center. This warranty does not cover commercial use, hardware, acts of nature, fire, freezing and abusive use. In addition, purchased parts are not covered under this warranty. We reserve the right to make substitutions with similar merchandise, if the model in question is no longer in production.

Contact the Customer Service Team at 1-855-HD-HAMPTON or visit www.HamptonBay.com.

Pre-Assembly

PLANNING ASSEMBLY

Read all instructions before assembly.

To avoid damaging this product, assemble it on a soft, non-abrasive surface such as carpet or cardboard.

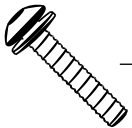


NOTE: More than one person may be required to assemble this product.

HARDWARE INCLUDED



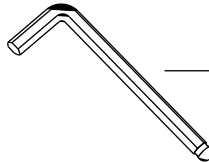
NOTE: Hardware not shown to actual size.



AA



BB

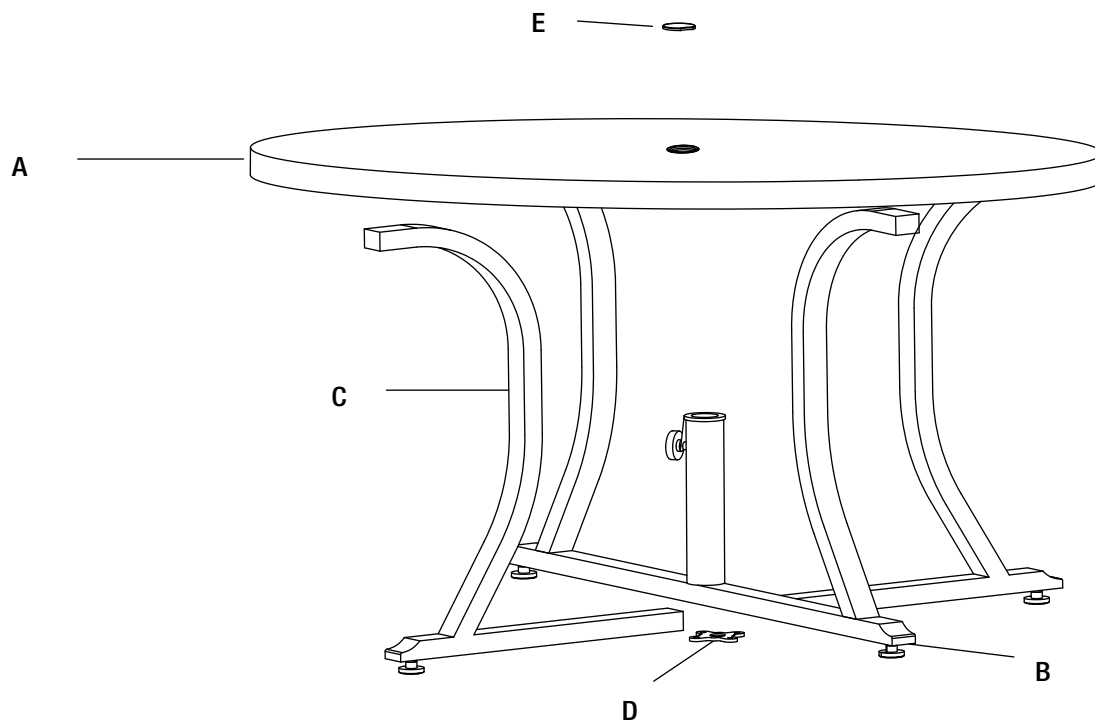


CC

Part	Description	Quantity
AA	M6x40 combination bolt	8+1
BB	M6x15 combination bolt	4+1
CC	Hex wrench	1

Pre-Assembly (continued)

PACKAGE CONTENTS



Part	Description	Quantity
A	Table top	1
B	Main table leg	1
C	Side table leg	2
D	Connection plate	1
E	Umbrella ring cover	1

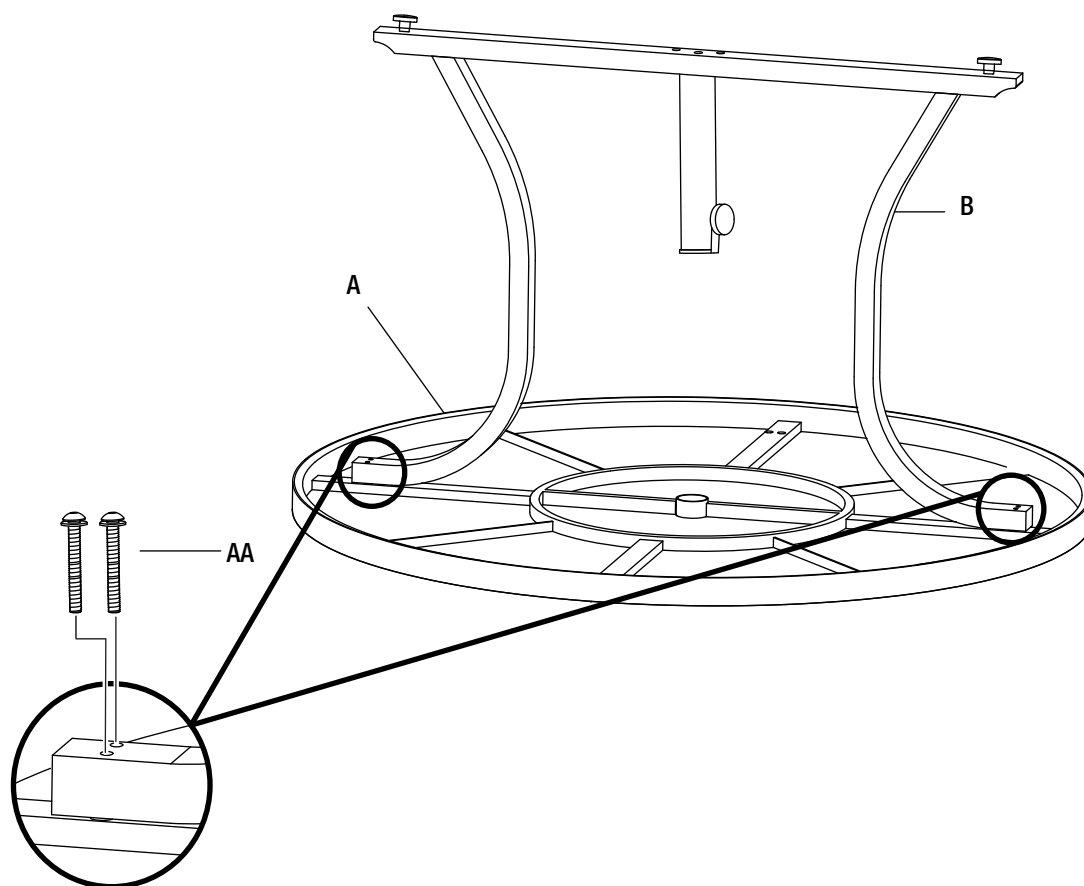
Assembly

1 ATTACHING THE MAIN TABLE LEG TO THE TABLE TOP

- Place the table top upside down on a soft surface.
- Attach the main table leg (B) to the table top (A) using M6x40 combination bolts (AA).
- Do not fully tighten the bolts at this step.



NOTE: Loosely tighten all bolts using the hex wrench (CC).



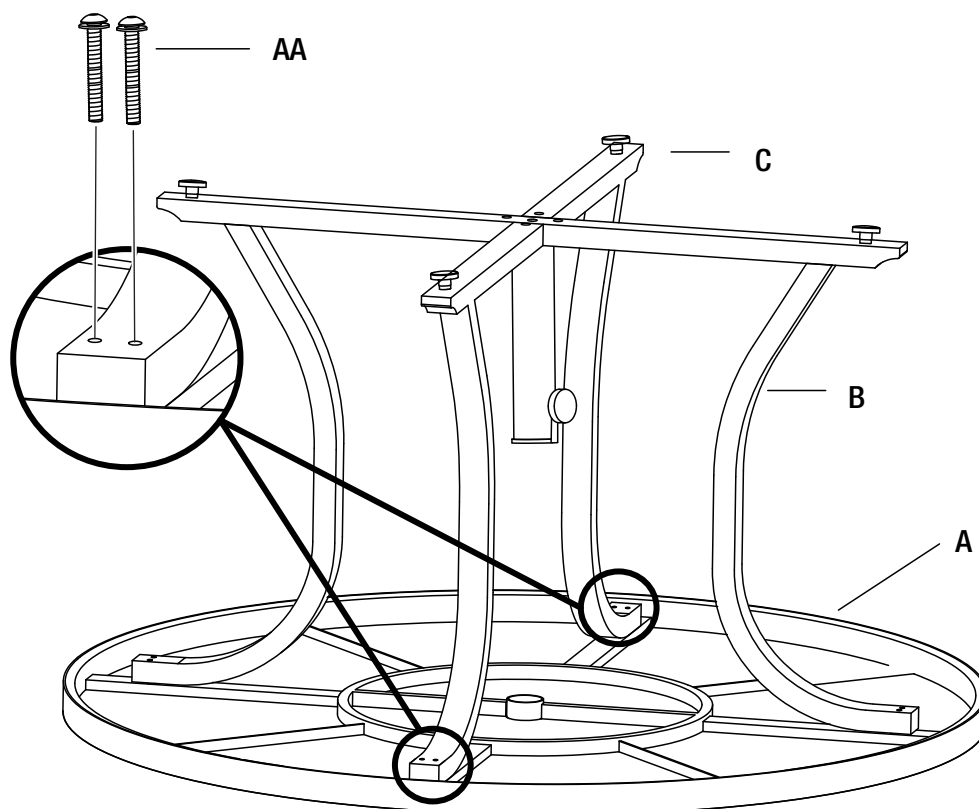
Assembly (continued)

2 ATTACHING THE SIDE TABLE LEG TO THE TABLE TOP

- Attach the side table legs (C) to the table top (A) using M6x40 combination bolt (AA).
- Do not fully tighten the bolts at this step.



NOTE: Loosely tighten all bolts using the hex wrench (CC).



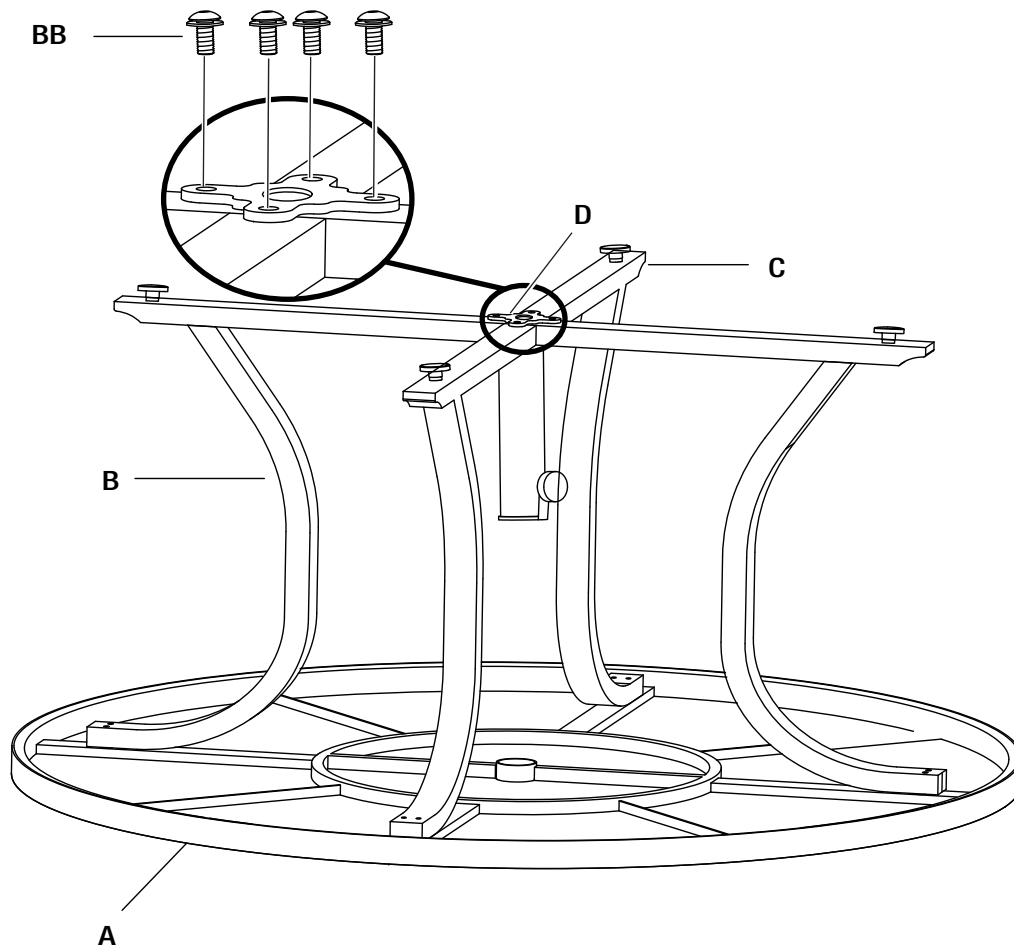
Assembly (continued)

3 CONNECTING THE SIDE TABLE LEGS TO THE MAIN TABLE LEG

- Attach the side table legs (C) to the main table leg (B) with the connection plate (D) using M6x15 combination bolts (BB).
- Do not fully tighten the bolts at this step.



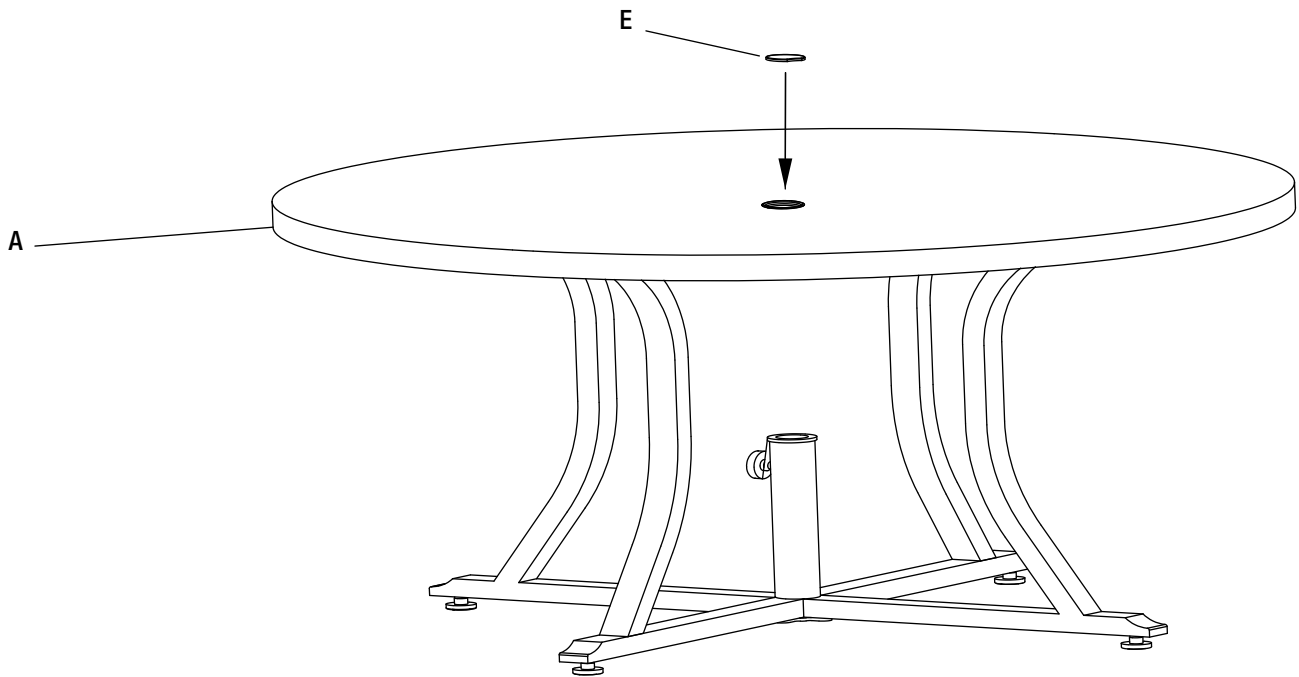
NOTE: Loosely tighten all bolts using the hex wrench (CC).



Assembly (continued)

4 CHECKING THE TABLE

- Once all of the bolts are in place, fully tighten the bolts using the hex wrench (CC).
- Turn the table right side up.
- Place the umbrella ring cover (E) on the table top (A).
- Ensure all connections are secure before use.



Care and Cleaning

- For best results, clean the table with a damp cloth and dry thoroughly. This will help prevent mildew by removing dirt particles that may accumulate.
- Do not clean with abrasive materials, bleach, or solvents.
- Store the table in a dry, sheltered place when not in use.
- Keep the table away from fire, extreme heat, freezing conditions, and inclement weather such as rain, hail, sleet, snow, or wind.



Questions, problems, missing parts? Before returning to the store,
call Hampton Bay Customer Service
8 a.m. - 7 p.m., EST, Monday - Friday, 9 a.m. - 6 p.m., EST, Saturday

1-855-HD-HAMPTON

HAMPTONBAY.COM

Retain this manual for future use.

For certification use only

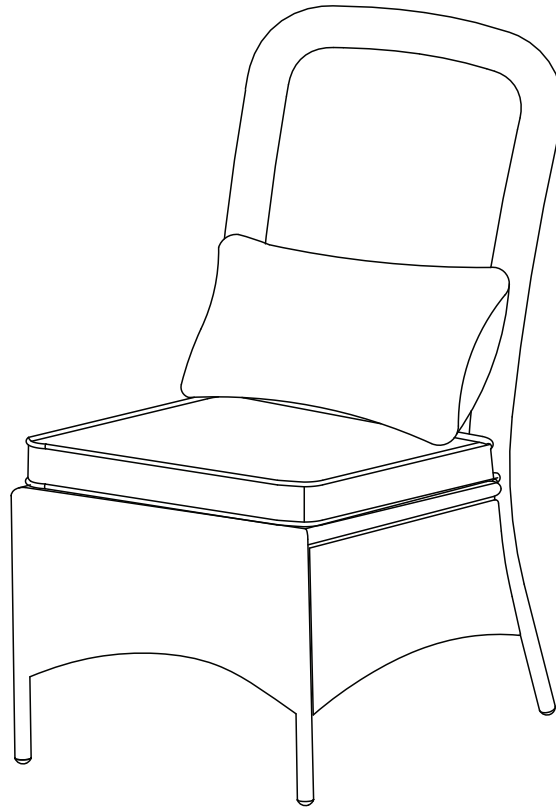
Factory ID # FTS81084A



Item # 000 000 000
000 000 000
Model # FRS80938A
FRS80938AG

USE AND CARE GUIDE

BEACON PARK WICKER 2-PACK ARMLESS CHAIR



Questions, problems, missing parts? Before returning to the store
call Hampton Bay Customer Service.
8 a.m. - 7 p.m., EST, Monday - Friday, 9 a.m. - 6 p.m., EST, Saturday

1-855-HD-HAMPTON

HAMPTONBAY.COM

THANK YOU


We appreciate the trust and confidence you have placed in Hampton Bay through the purchase of this chair. We strive to continually create quality products designed to enhance your home. Visit us online to see our full line of products available for your home improvement needs. Thank you for choosing Hampton Bay!


Table of Contents

Table of Contents.....	2	Pre-Assembly	3
Important Safety Instructions	2	Planning Assembly	3
Save These Instructions	2	Hardware Included	3
Read All Instructions Before Use	2	Package Contents	4
Warranty	3	Assembly	5
What is Covered	3	Care and Cleaning	7
What is Not Covered	3		

Important Safety Instructions

SAVE THESE INSTRUCTIONS

 **WARNING:** This chair was made for the explicit purpose of providing outdoor functions and is not to be used as a toy. This product is intended for normal outdoor use; however, the manufacturer recommends storing and / or covering this product when any formidable / severe weather is approaching.

 **WARNING:** Do not locate this product near open flames. Do not use this product as a support. Do not shake, lean or climb on the product. Children under the age of 10, near the product, should be supervised by a competent adult at all times. This product is NOT intended for commercial use and will void the warranty.


READ ALL INSTRUCTIONS BEFORE USE


To reduce the risk of injury to persons:

1. Close supervision is necessary when this product is used by or near children, or disabled persons, if applicable.
2. Use this product only for its intended use as described in these instructions. Do not use attachments not recommended by the manufacturer.
3. Do not move the chair while the chair is occupied. Failure to obey this caution could result in injury.
4. Do not rock in the chair as you may fall and cause serious injury.
5. Please keep children out of the assembly area before assembly.

 **WARNING:** Do not place heavy objects on the chair.

 **WARNING:** Weight limit for chair is 300 lbs (136.07 Kg) for each chair.

 **WARNING:** This chair unit is heavy, and may require two adults for safe assembly.

 **CAUTION:** Do not locate the product near any heat source.

Warranty

2 YEAR FRAME AND 2 YEAR FABRIC LIMITED WARRANTY

WHAT IS COVERED

We warrant the frames to be free of manufacturing defects to the original purchaser for two years, and a two year limited warranty for the fabric.

WHAT IS NOT COVERED

It remains the customer's responsibility for freight and packaging charges to and from our service center. This warranty does not cover commercial use, hardware, acts of nature, fire, freezing and abusive use. In addition, purchased parts are not covered under this warranty. We reserve the right to make substitutions with similar merchandise, if the model in question is no longer in production.

Contact the Customer Service Team at 1-855-HD-HAMPTON or visit www.HamptonBay.com.

Pre-Assembly

PLANNING ASSEMBLY

Read all instructions before assembly.

To avoid damaging this product, assemble it on a soft, non-abrasive surface such as carpet or cardboard.

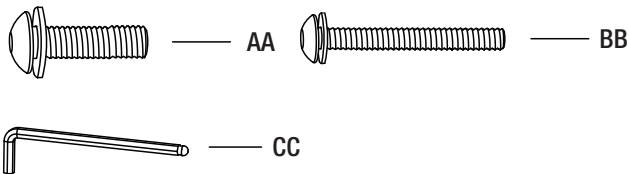


NOTE: More than one person may be required to assemble this product.

HARDWARE INCLUDED



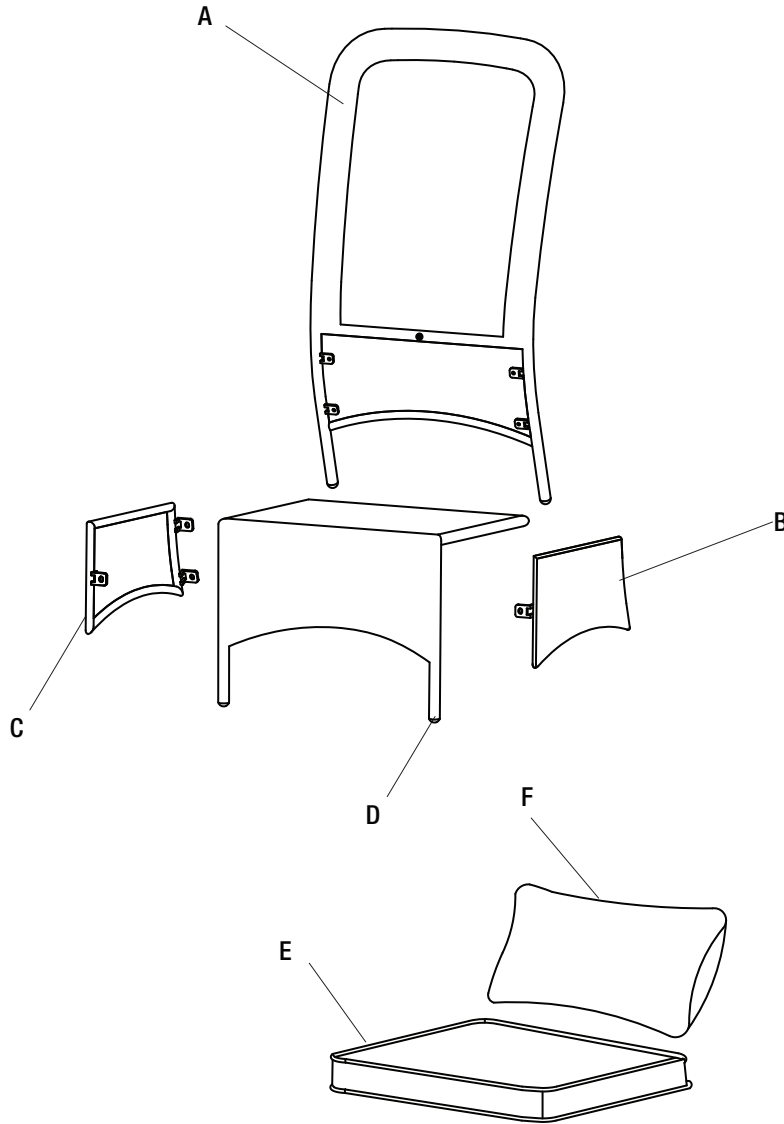
NOTE: Hardware not shown to actual size.



Part	Description	Quantity
AA	M6x20 combination bolt	12+1
BB	M6x50 combination bolt	2+1
CC	Hex wrench	1

Pre-Assembly (continued)

PACKAGE CONTENTS



Part	Description	Quantity
A	Back	2
B	Left side panel	2
C	Right side panel	2
D	Seat	2
E	Seat cushion	2
F	Accent pillow	2

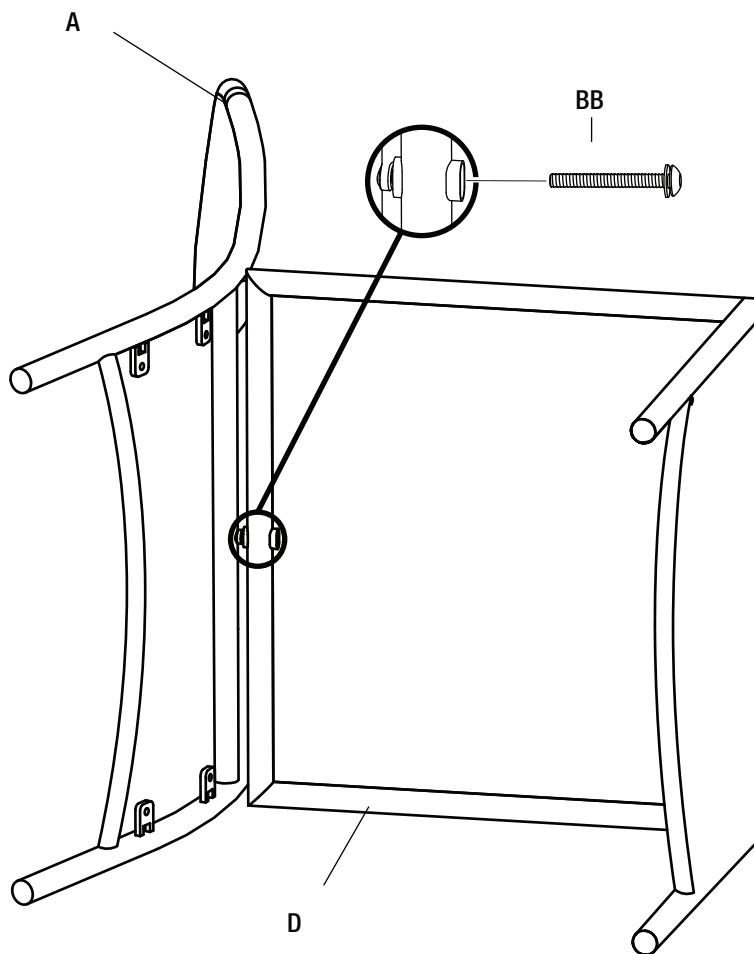
Assembly

1 CONNECTING THE SEAT TO THE BACK

- Attach the seat (D) to the back (A) using an M6x50 combination bolt (BB).
- Do not fully tighten all the bolts at this step.



NOTE: Loosely tighten all bolts using the hex wrench (CC).



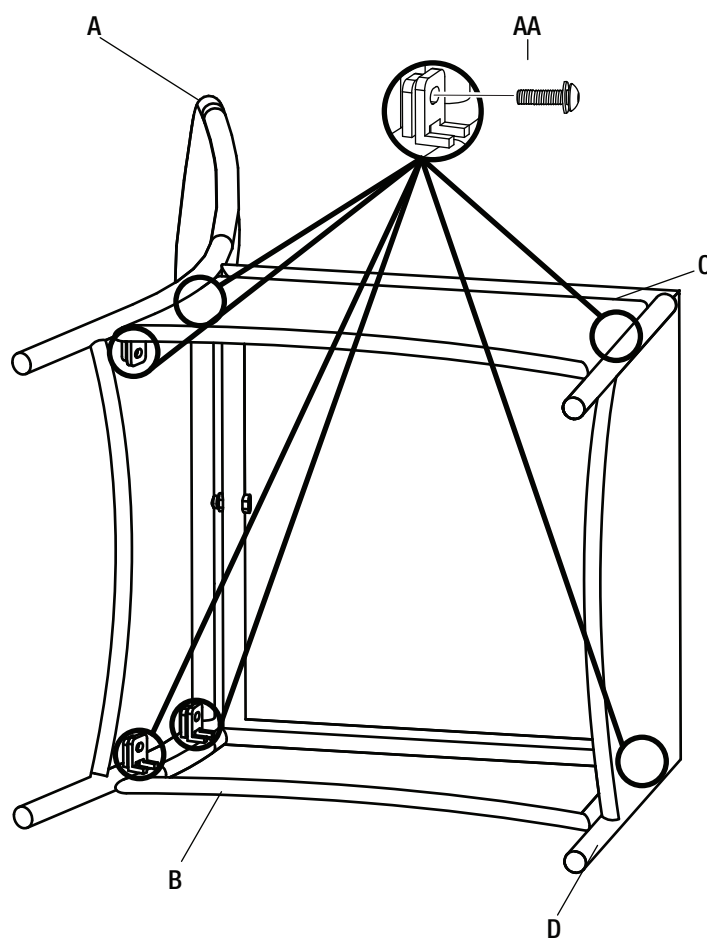
Assembly (continued)

2 CONNECTING THE SIDE PANELS TO THE SEAT AND THE BACK

- Attach the left side panel (B) to the seat (D) using an M6x20 combination bolt (AA).
- Attach the left side panel (B) to the back (A) using M6x20 combination bolts (AA).
- Repeat above steps to assemble the right side panel (C) to the seat (D) and the back (A).
- Do not fully tighten all the bolts at this step.



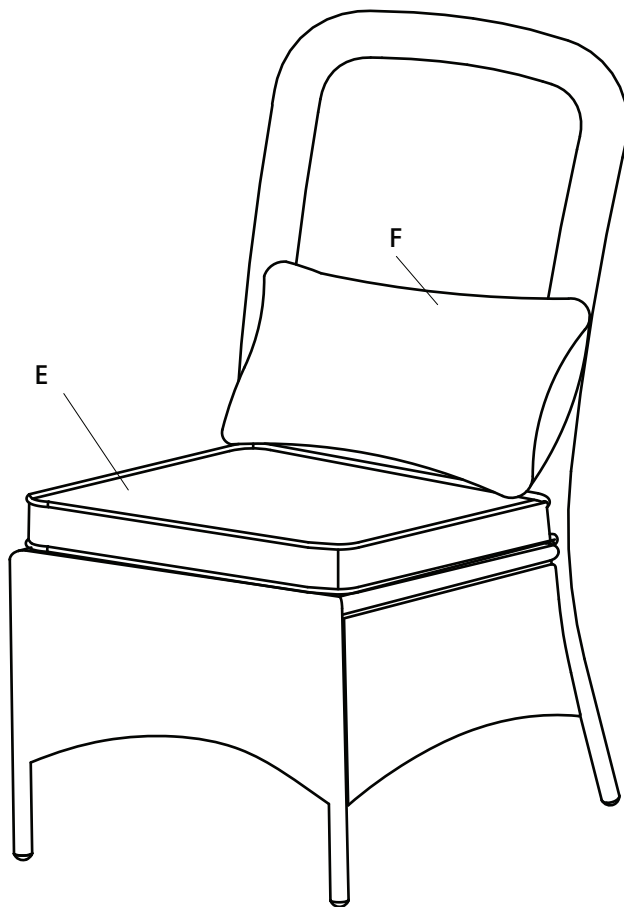
NOTE: Loosely tighten all bolts using the hex wrench (CC).



Assembly (continued)

3 TIGHTENING THE BOLTS

- Once all of the bolts are in place, fully tighten the bolts using the hex wrench (CC).
- Turn the chair right side up.
- Place the seat cushion (E) and the accent pillow (F) to finish the assembly of the chair.
- Ensure all connections are secure before use.



Care and Cleaning

- For best results, clean the chair with a damp cloth and dry thoroughly. This will help prevent mildew by removing dirt particles that may accumulate.
- Do not clean with abrasive materials, bleach, or solvents.
- Store the chair in a dry, sheltered place when not in use.
- Keep the chair away from fire, extreme heat, freezing conditions, and inclement weather such as rain, hail, sleet, snow, or wind.



Questions, problems, missing parts? Before returning to the store,
call Hampton Bay Customer Service.
8 a.m. - 7 p.m., EST, Monday - Friday, 9 a.m. - 6 p.m., EST, Saturday

1-855-HD-HAMPTON

HAMPTONBAY.COM

Retain this manual for future use.

For certification use only

Factory chair ID # FRS80938A
