

SINCE 1839

**BRINLY**

SINCE 1839

**BRINLY**

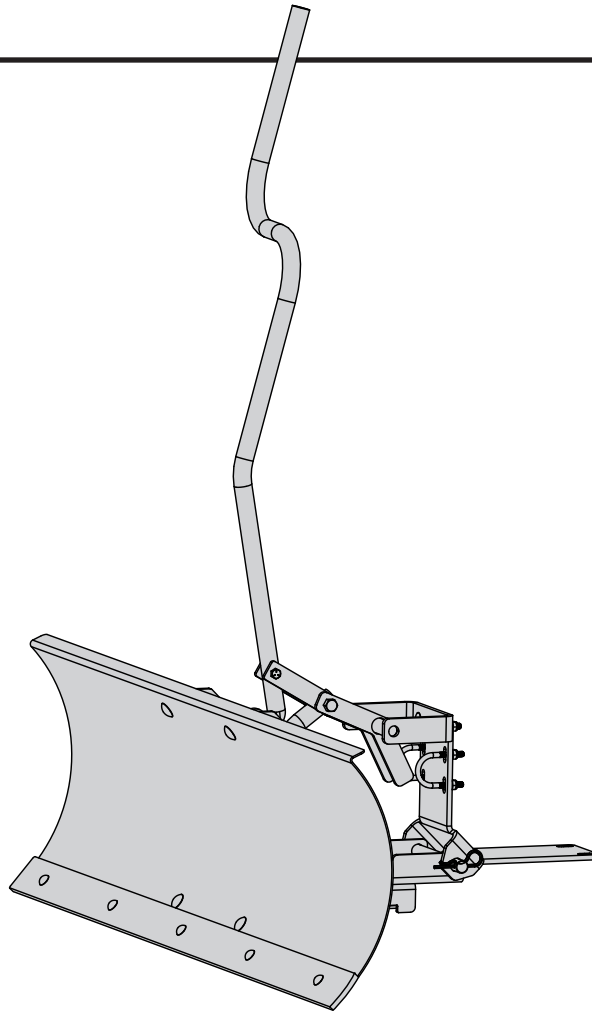
# OWNER'S MANUAL

## **FRONT MOUNT BLADE**

MODEL:

**FB-42RY**

- Assembly
- Installation
- Operation
- Repair Parts



Visit us on the web!  
[www.brinly.com](http://www.brinly.com)

**Important:** This manual contains information for the safety of persons and property. Read it carefully before assembly and operation of the equipment!

# INTRODUCTION

Congratulations on the purchase of your new Brinly-Hardy Front-Mount Blade! This product has been designed, engineered and manufactured to give you the best possible dependability and performance.



## CUSTOMER RESPONSIBILITIES

- Please read and retain this manual. The instructions enable you to assemble and maintain your blade properly.
- Please carefully read and observe the SAFETY section of this manual.
- Follow a regular schedule in maintaining and caring for your Brinly-Hardy Blade.

## TABLE OF CONTENTS

SAFETY .....	2-3
PARTS LIST AND REFERENCE .....	4-5
ASSEMBLY .....	7-15
OPERATION .....	16-17
STORAGE .....	18
MAINTENANCE .....	19
LIMITED WARRANTY .....	20

## RECORD PURCHASE INFORMATION

Record your purchase information in the spaces provided below:

**DATE OF PURCHASE** \_\_\_\_\_

**COMPANY NAME** \_\_\_\_\_

**COMPANY PHONE** \_\_\_\_\_

**SERIAL NUMBER** \_\_\_\_\_

# SAFETY



This symbol will help to point out important safety precautions throughout this manual. It means: **ATTENTION! BECOME ALERT! Your safety is involved.**

## SAFETY LABELS AND NOTATION

The safety labels shown in this section are placed in important areas on your product to draw attention to potential safety hazards.

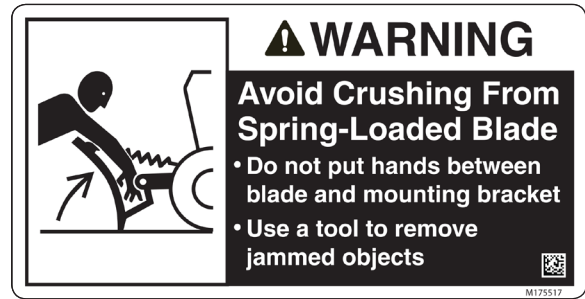
On your product safety labels, the words **DANGER**, **WARNING** and **CAUTION** are used with the safety-alert symbol. **DANGER** identifies the most serious hazards.

The operator's manual also explains any potential safety hazards whenever necessary in special safety messages that are identified with the word, **CAUTION**, and the safety-alert symbol.



**CAUTION: Keep feet and hands clear of blade while raising and lowering the blade.** Pay close attention to your surrounding and people in your immediate area at all times.

# SAFETY



## GENERAL NOTES (OPERATION)

Caution should be taken when using any attachment. This attachment combined with the weight distribution, turning radius, and speed of vehicle can result in severe injury or death to operator, damage to vehicle, and/or attachment if not used properly. Follow all safety precautions noted in the vehicle owner's manual, including the following precautions:

- Only use this product in the vehicle's tow mode/speed setting or less than 5 mph. Do not exceed 5 mph.
- Operating speed should always be slow enough to maintain control. Travel slowly, using caution when traveling over rough terrain. Avoid holes, rocks and roots.
- Slow down before you turn and do not turn sharply.
- Use caution when operating around retaining walls and other raised embankments.
- Do not use attachment on steep slopes. A heavy load could cause loss of control or overturn attachment and vehicle.
- Keep all movement on slopes slow and gradual. Do not make sudden changes in speed, directions or turning.
- If you start and stop suddenly on hills, you may lose steering control.
- Do not start or stop suddenly when going uphill or downhill. Avoid uphill starts.
- Slow down & use extra care on hillsides. Use extreme caution while operating near drop-offs.
- Do not drive close to creeks, ditches and public highways.
- Watch out for traffic when crossing roadways.
- Use care when loading or unloading the vehicle into a trailer or truck.
- When reversing, back up straight using caution.
- Stop on level ground, disengage drives, set the parking brake, and shut off engine before leaving the operator's position for any reason.
- Use this attachment for intended purpose only.
- Always wear substantial slip-resistant footwear. Do not wear loose-fitting clothing, tie back long hair and do not wear jewelry.
- Keep your eyes and mind on your vehicle, attachment and area being covered. Do not let other interests distract you.
- Stay alert for holes and other hidden hazards in the terrain.
- Keep the vehicle and attachment in good operating condition and keep safety devices in place.

- The vehicle and attachment should be stopped and inspected for damage after striking a foreign object. Any damage should be repaired before restarting and operating the equipment.
- Keep all parts in good condition and properly installed. Fix damaged parts immediately. Replace worn or broken parts.
- Replace all worn or damaged safety and instruction decals. Keep all nuts, bolts and screws tight.
- Do not modify the attachment or safety devices. Unauthorized modifications to the vehicle or attachment may impair its function, safety and void the warranty.

## VEHICLE AND ITS SAFETY

- Know your vehicle controls and how to stop safely. READ YOUR VEHICLE OWNER'S MANUAL before operating.
- Check the vehicle's brake action before you operate. Adjust or service brakes as necessary.
- Stopping distance increases with speed and weight of load. Travel slowly and allow extra time and distance to stop.
- Do not shift to neutral and coast downhill.
- Do not allow adults to operate the vehicle without proper instruction or without having read the owner's manual.
- Do not allow children to operate the vehicle.

## PROTECT THOSE AROUND YOU

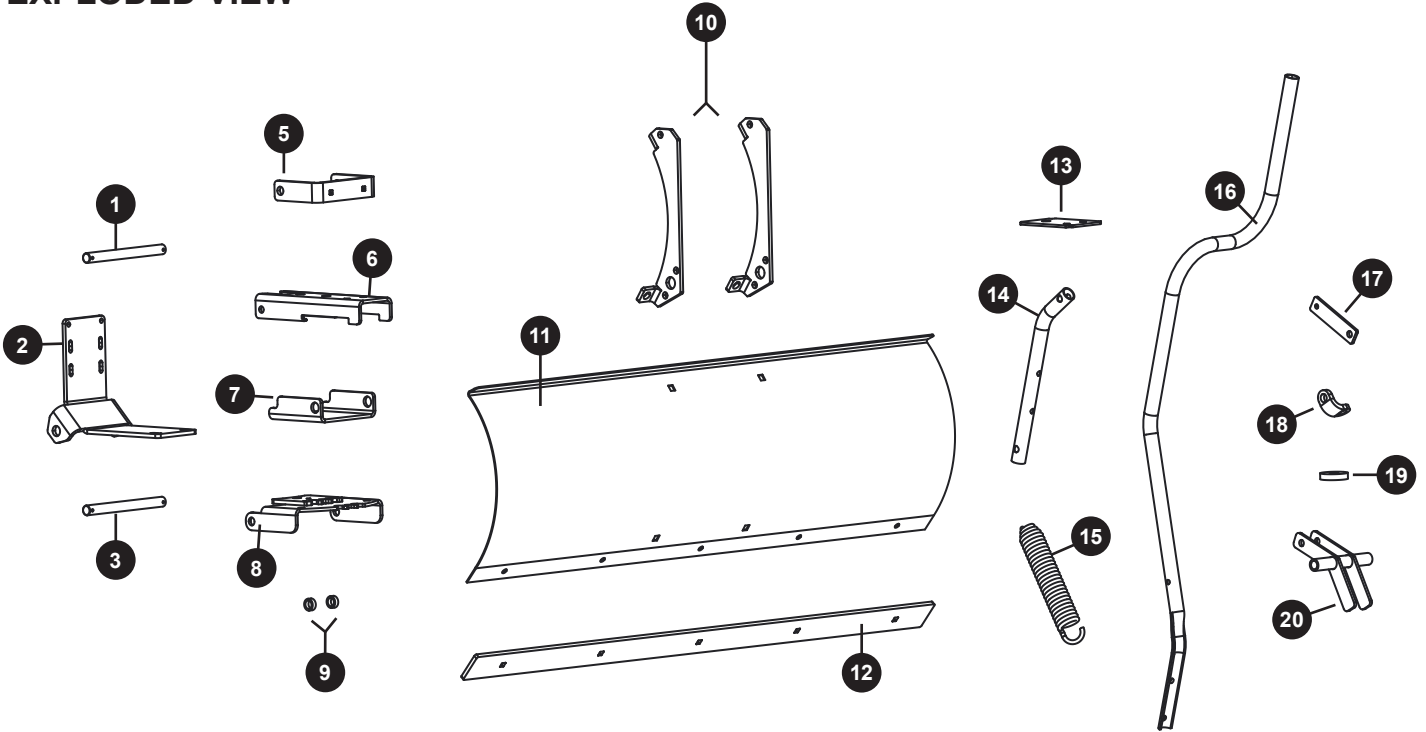
- Before you operate any feature of this attachment or vehicle, observe your surroundings and look for bystanders.
- Keep children, bystanders and pets at a safe distance away while operating this or any attachment.
- Use care when reversing. Before you back up, look carefully behind for bystanders.

## KEEP RIDERS OFF ATTACHMENT & VEHICLE

- Do not carry passengers.
- Do not let anyone, especially children, ride in/on this attachment, the vehicle or mount bracket.
- Riders are subject to injury such as being struck by foreign object and/or being thrown off during sudden starts, stops and turns.
- Riders may also obstruct the operator's view resulting in this attachment being operated in an unsafe manner.

# PARTS LIST AND REFERENCE

## EXPLODED VIEW



REF	PART NO.	DESCRIPTION	QTY	REF	PART NO.	DESCRIPTION	QTY
1	1017741-01	Rod, Hinge Plated	1	11	1018347	Blade, 42"	1
2	1017835-10	Painted Mount, Front	1	12	1018118-10	Wear Bar, 42" Painted	1
3	1018092-01	Rod, Transport Plated	1	13	1018119-10	Painted Plate, Bottom	1
4	1018104	Hardware Bag *	1	14	1018120-10	Painted Tube, Raise	1
	1018352	Parts Bag *	1	15	1018121	Trip Spring	1
5	1018105-10	Painted Bracket, Pivot	1	16	1018122-10	Painted Tube, Handle	1
6	1018109-10	Painted Bracket, Lower PV	1	17	1018123-10	Painted Plate, Handle	1
7	1018110-10	Painted, Bracket Up Pivot	1	18	B-7215-10	Spring Bracket	1
8	1018111-10	Painted, Hinge Weldment	1	19	B-723P-01	Thick Washer, 3/8"	1
9	1018115-01	Tube, Pivot Plated	2	20	1018106-10	Painted Cam Weldment	1
10	1018116-10	Ribs, Painted	2				

\* Not shown

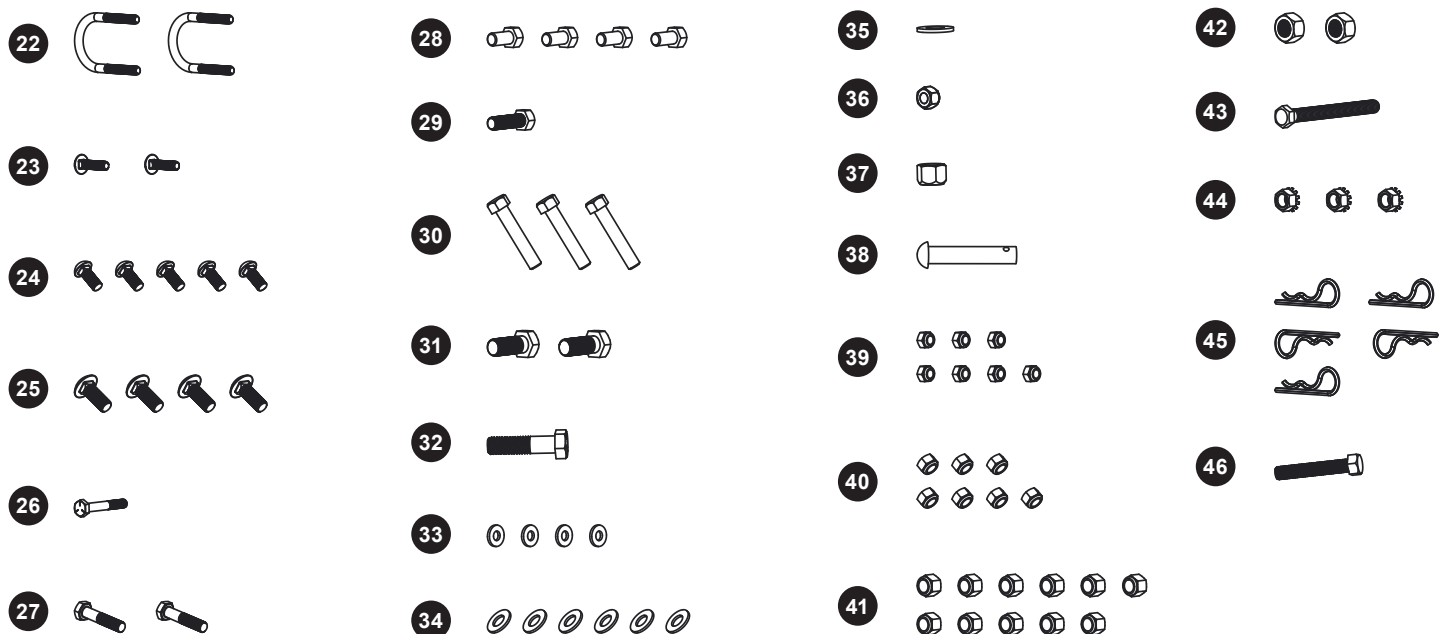


### Tools Required for Assembly:

- 3/4" Socket & Wrench
- 9/16" Socket & Wrench
- 1/2" Socket & Wrench
- 7/16" Socket & Wrench
- 12 mm Wrench
- Ratchet Wrench
- Pliers
- Gloves

# PARTS LIST AND REFERENCE

## EXPLODED VIEW - HARDWARE BAG



REF	PART NO.	DESCRIPTION	QTY	REF	PART NO.	DESCRIPTION	QTY
21	1000225	Handle Grip *	1	35	45M1717P	Washer, Flat 1/2"	1
22	1017742	U-bolt	2	36	B-1675P	Nut, Hex Lock, 3/8"-16	2
23	11M0816P	Bolt, Carriage 1/4" x 1"	2	37	B-1677P	Nut, Hex Lock, 1/2"-13	1
24	11M1012P	Bolt, Carriage 5/16 x 3/4	5	38	B-3861	Pin, Hitch 1/2" X 2-1/2"	1
25	11M1216P	Bolt, Carriage 3/8 x 1	4	39	B-4785	Nut, Nylon Lock 1/4-20	7
26	2M0828P	Bolt, Hex Head 1/4 x 1-3/4	1	40	B-4786	Nut, Nylon Lock 5/16-18	7
27	2M1024P	Bolt, Hex Head 5/16 x 1-1/2	2	41	B-4820	Nut, Nylon Lock, 3/8"-16	11
28	2M1212P	Bolt, Hex Head 3/8 x 3/4	4	42	B-5096Y	Nut, Nylon Lock, 1/2"-13	2
29	2M1220P	Bolt, Hex Head 3/8 x 1-1/4	1	43	B-6298	Bolt, Hex Hd 3/8 x 3-3/4	1
30	2M1232P	Bolt, Hex Head 3/8 x 2	3	44	B-6299	Nut, Keps Hex, 3/8-16	3
31	2M1620P	Bolt, Hex Head 1/2 x 1-1/4	2	45	D-146P	Hairpin Cotter, 1/8", #211	5
32	2M1632P	Bolt, Hex Head 1/2 x 2	1	46	B-7291	Bolt, 3/8 x 2-1/2	1
33	45M0909P	Washer, SAE Flat, 1/4"	4				
34	45M1313P	Washer, SAE Flat-3/8	6				

\* Not shown

Each spread of the assembly has a guide to help with hardware identification.

**THIS SECTION CAN BE USED TO IDENTIFY BOLTS:**

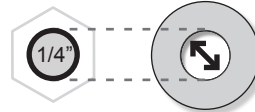
Check the bolt size by placing the head or the threaded end over the matching diagrams to the left.



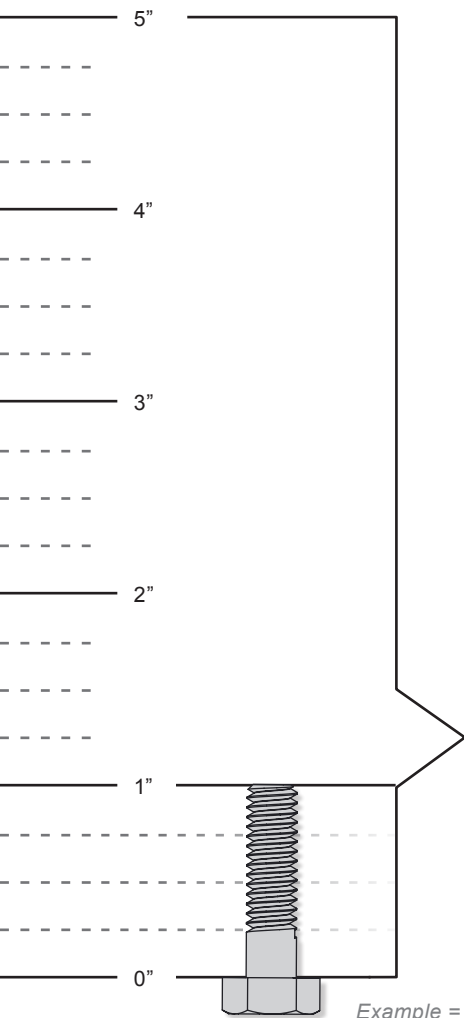
Example =  
Hex Head Bolt  
1/4" x 1"

**THIS SECTION CAN ALSO ASSIST WITH IDENTIFYING WASHERS:**

Exterior circumference of washers can vary. *These dimensions are a measurement of the internal diameter of the washer.*



Example =  
1/4" Washer




**THIS SECTION CAN BE USED TO IDENTIFY BOLTS:**

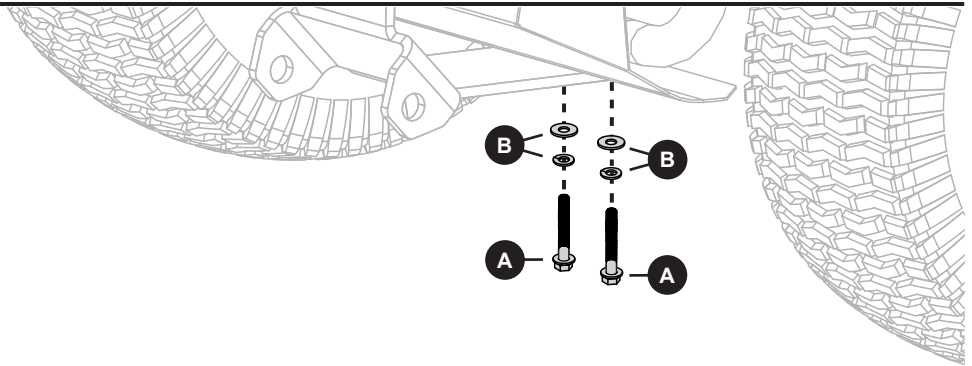
Check the bolt length by measuring the length of each bolt with this ruler.

Example =  
Hex Head Bolt  
1/4" x 1"

# ASSEMBLY

For the first step, you'll need to remove hardware from the front of your mower.

 12mm Wrench




## Assembly Step 1

Unscrew the two skid plate bolts (A) and two sets of washers (B).

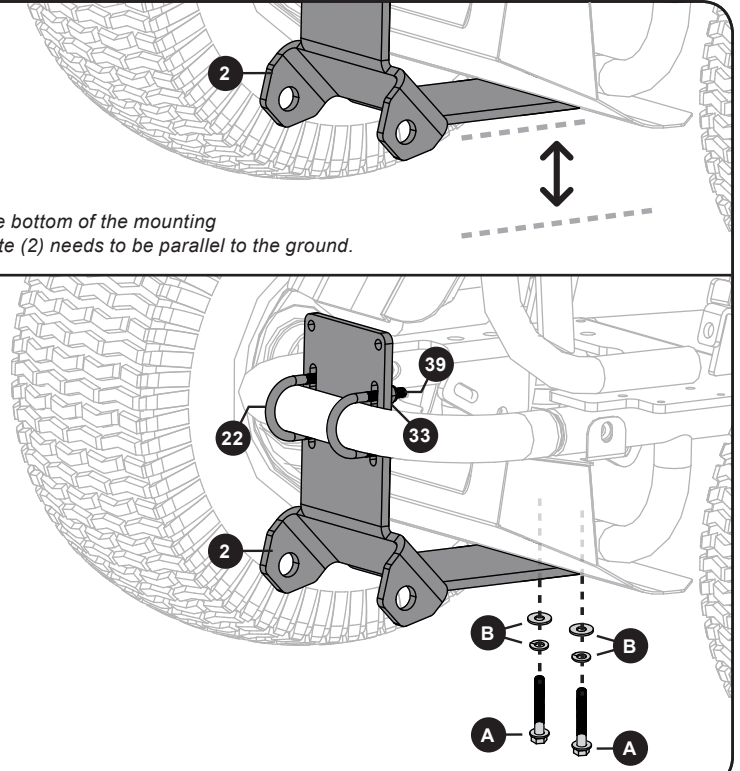
1. Loosely start to attach the mounting plate (2) to your mower by reusing the removed hardware (A & B) as well as U-bolts found in the hardware bag:

- x2 U-Bolts (22)
- x4 Washers (33) – 1/4"
- x4 Lock Nuts (39) – 1/4"

 7/16" Wrench

2. Align the bottom of the mounting plate (2) parallel to the ground and make sure the front of the mounting plate is touching the inside edge of the bumper tubing. *Tighten all hardware.*


The bottom of the mounting plate (2) needs to be parallel to the ground.

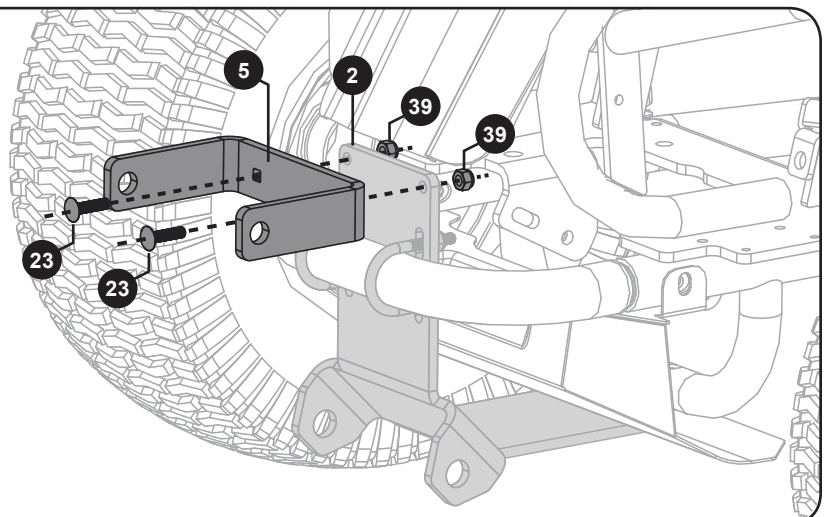


## Assembly Step 2

3. Attach pivot bracket (5) to the mount plate (2) using:

- x2 Carriage Bolts (23) – 1/4" x 1"
- x2 Lock Nuts (39) – 1/4"

 7/16" Wrench




# ASSEMBLY

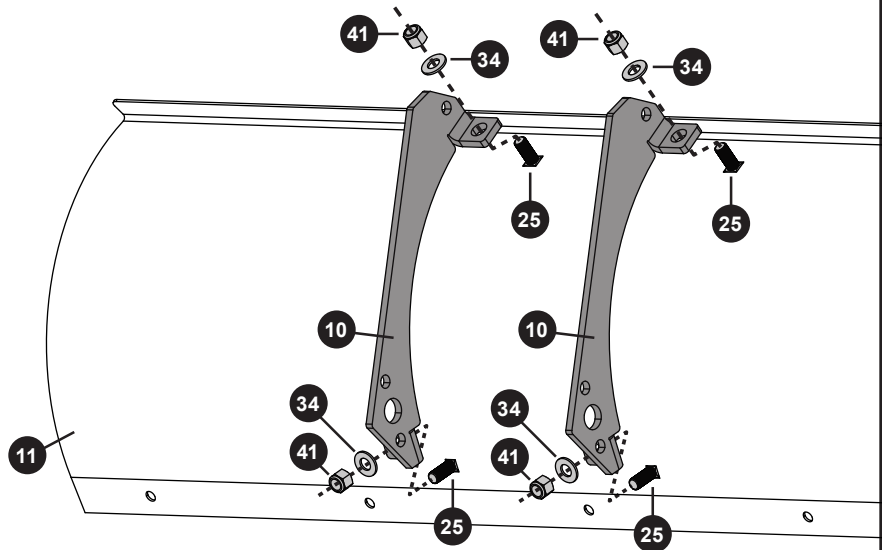
## Assembly Step 3

### Blade Assembly

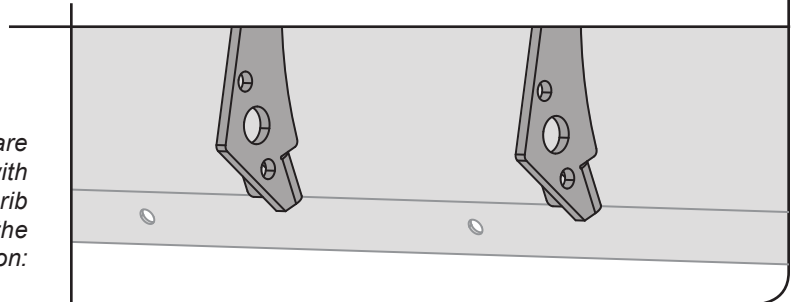
1. Attach ribs (10) to the blade (11) using:
  - x4 Carriage Bolts (25) – 3/8" x 1"
  - x4 Washers (34) – 3/8"
  - x4 Lock Nuts (41) – 3/8"

*Note: Do not fully tighten (yet), these ribs may need to shift slightly during Assembly Step 11.*

 9/16" Wrench




*Note: Ensure the ribs (10) are aligned correctly. The ends with three small cutouts on the rib need to be at the base of the blade. See illustration:*

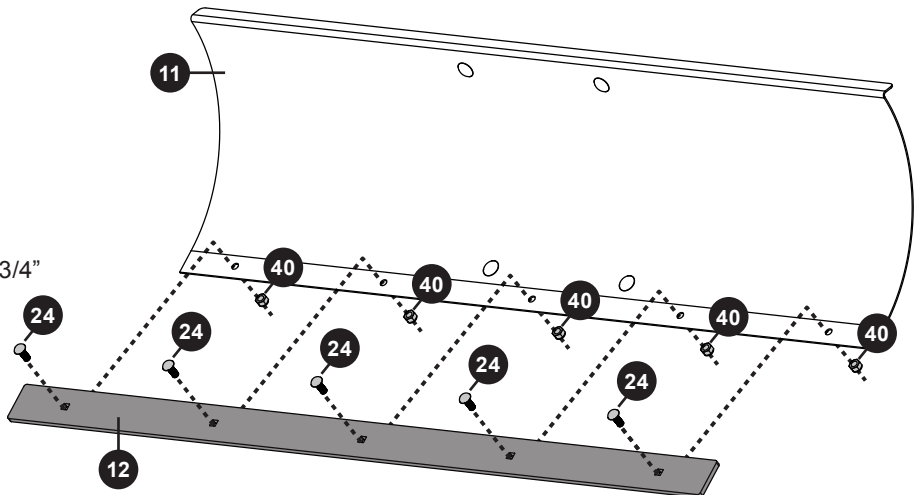


## Assembly Step 4

### Blade Assembly

2. Attach wear bar (12) to bottom of blade (11) using:
  - x5 Carriage Bolts (24) – 5/16" x 3/4"
  - x5 Lock Nuts (40) – 5/16"

 1/2" Wrench






# ASSEMBLY

## Assembly Step 5

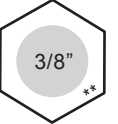
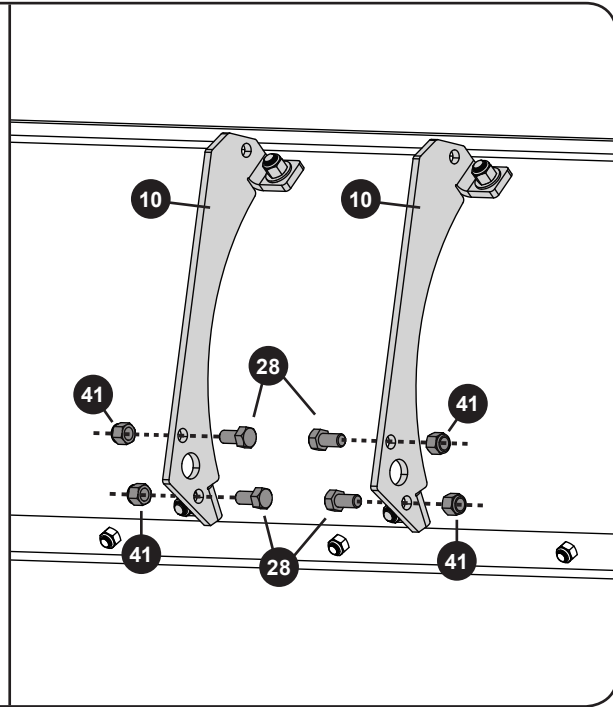
### Blade Assembly

- Install bolt and nut stops to the blade ribs (10) using:
  - x4 Hex Head Bolts (28) – 3/8" x 3/4"
  - x4 Lock Nuts (41) \* – 3/8"

*\*Note: Nuts need to be on the outside edges of the blade ribs.*

 9/16" Wrench & Socket


- Set blade aside.

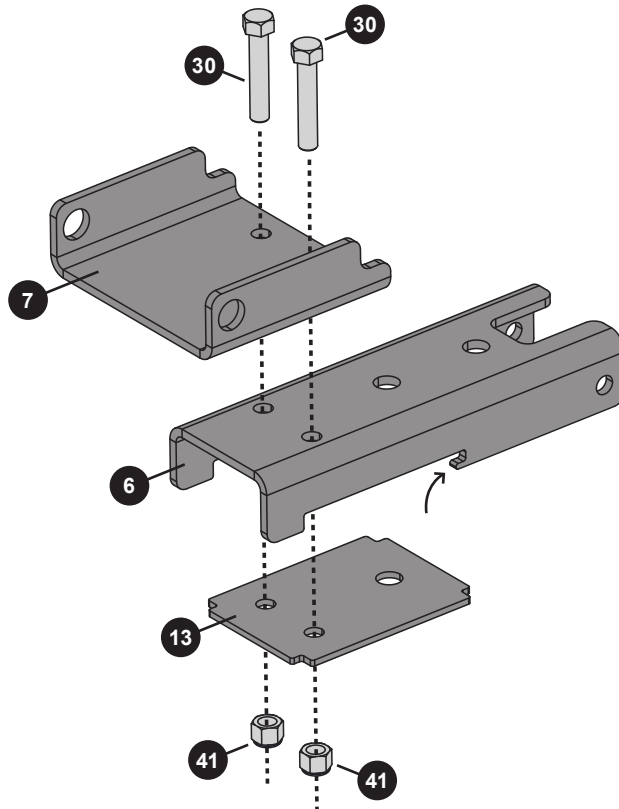



## Assembly Step 6

### Push Arm Assembly

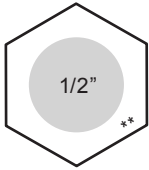
- Attach upper push bracket (7) to lower push bracket (6) and bottom plate (13) using:
  - x2 Hex Head Bolts (30) – 3/8" x 2"
  - x2 Nylon Lock Nuts (41) – 3/8"

 9/16" Wrench & Socket



 \*\*Exterior circumference of washers can vary. These dimensions are a measurement of the internal diameter of the washer.

# ASSEMBLY



5"

4"

3"

2"

1"

0"


## Assembly Step 7

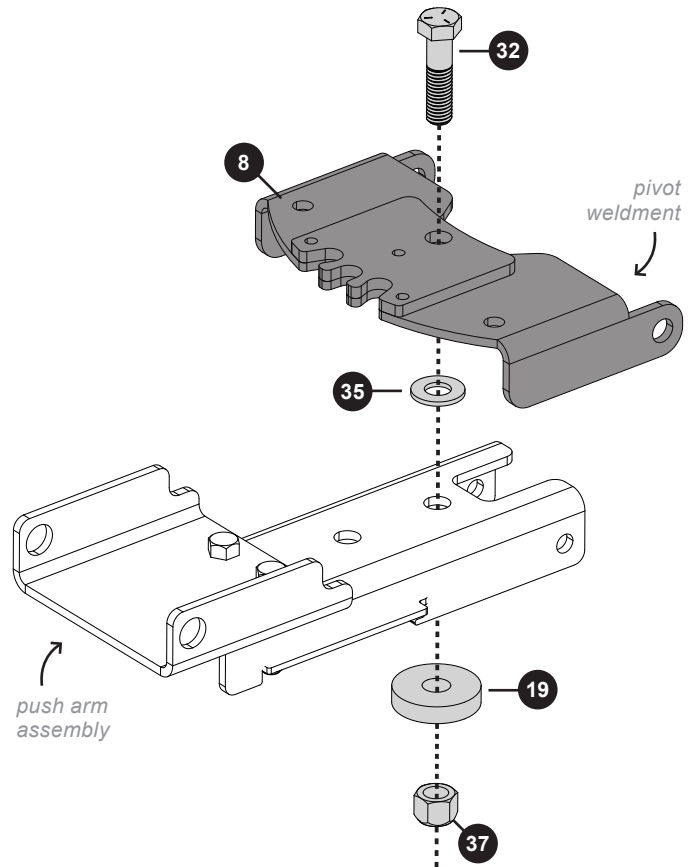
### Push Arm Assembly

2. Attach pivot weldment (8) to the push arm assembly using:

- x1 Hex Head Bolt (32) – 1/2" x 2"
- x1 Washer, Flat (35) – 1/2"
- x1 Washer, Thick (19)
- x1 Lock Nut, Hex (37) – 1/2"

*NOTE: Do not over tighten, the two brackets should be able to move freely of one each other, but not so loose that there is play in the joint.*

 3/4" Wrench & Socket



## Assembly Step 8-A


### Adding the Handle

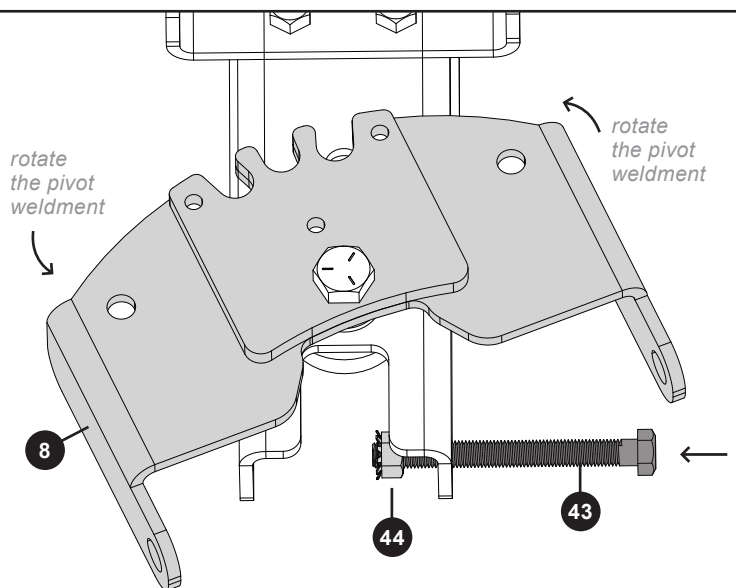
1. Rotate the pivot weldment (8)

2. Start to run hex head bolt, 3/8" x 3 3/4" full thread (43) through the first hole of the push arm assembly & add:

- x1 Hex Nut (44) – 3/8"

*External-teeth need to be facing away from the head of the bolt.*

 9/16" Wrench & Socket




# ASSEMBLY

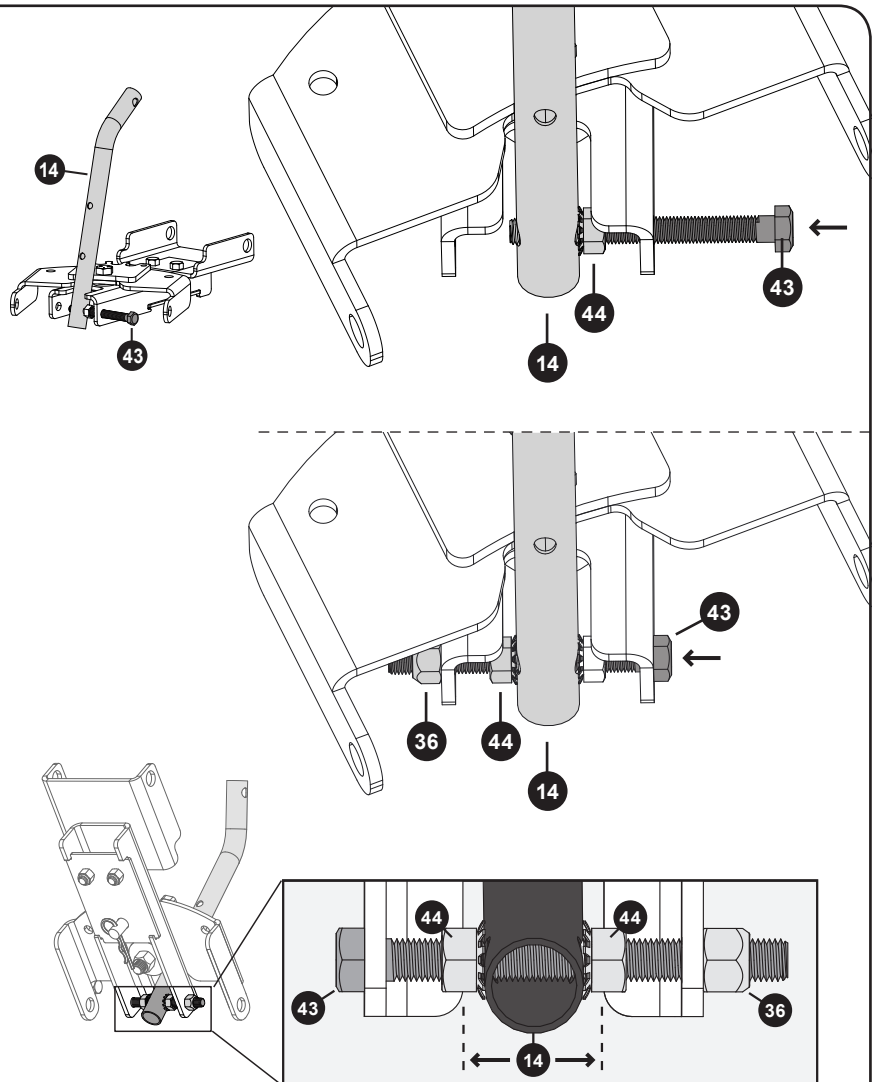
## Assembly Step 8-B

### Adding the Handle

- Align the lower handle tube (14) as illustrated here and continue to run the hex head bolt (43) through the base of the tube.
- After the bolt (43) extends through the tube, add:
  - x1 Hex Nut (44) – 3/8"  
*External-teeth facing the lower handle tube (14).*
- Continue running the bolt (43) through the push arm assembly. Secure in place using:
  - x1 Lock Nut (36) – 3/8"

 9/16" Wrench & Socket

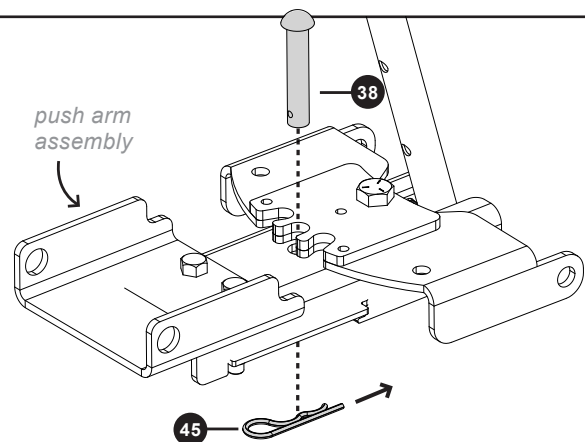
- Use the two Hex Nuts (44) to the center and secure in place the lower handle tube (14) within the opening of the push arm assembly.  
*(See detail to the right).*



## Assembly Step 9

### Adding the Handle

- Drop hitch pin (38) into the center hole of the push arm assembly and secure with a hairpin (45).

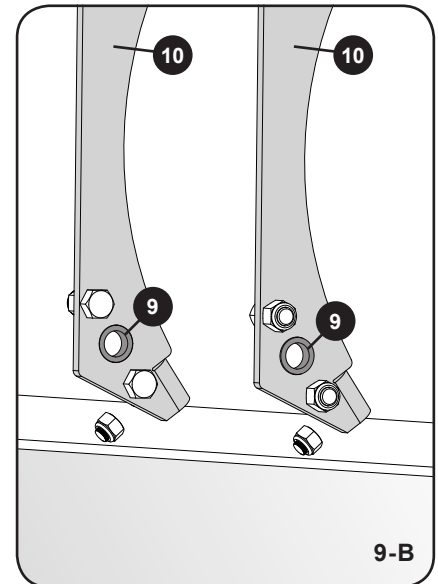
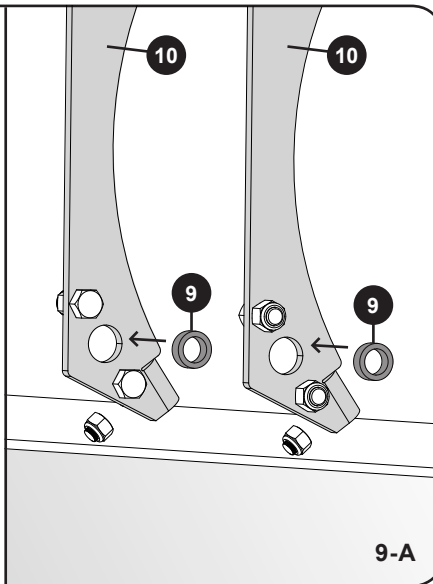


# ASSEMBLY

## Assembly Step 10

### Joining the Push Arm to the Blade


1. Insert spacer / pivot tube (9) into the large holes on the lower part of the ribs (10) on the back of the blade.



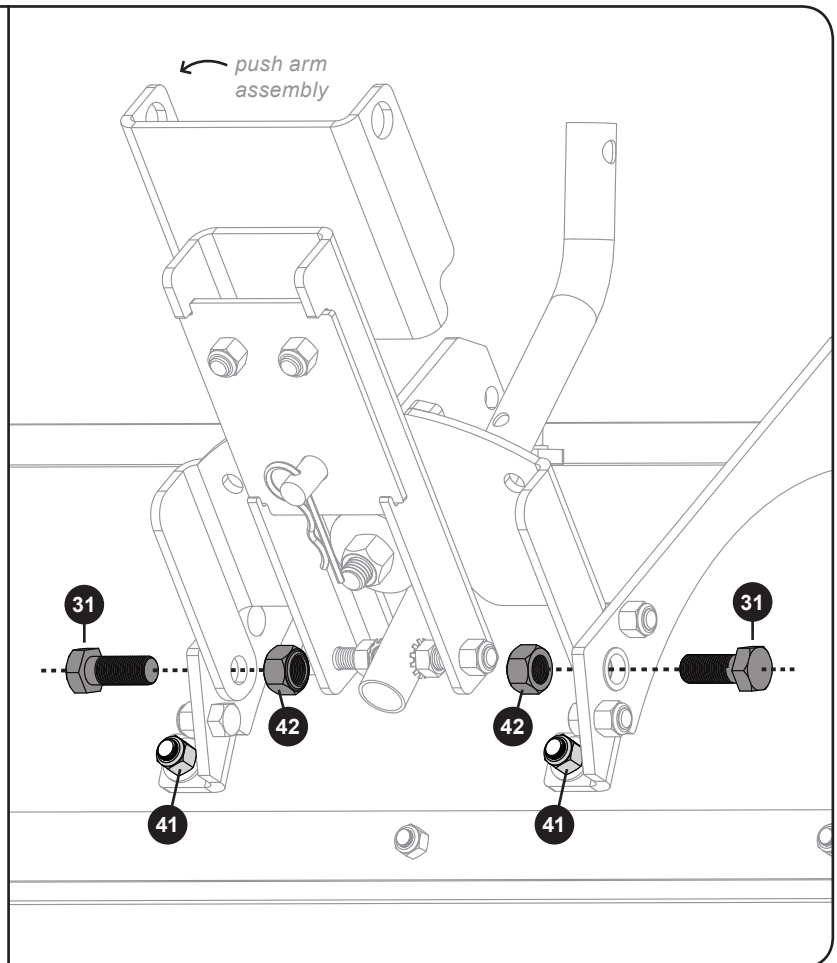
## Assembly Step 11

### Joining the Push Arm to the Blade

2. Slide push arm assembly between ribs and align with the pivot tubes that were inserted on Step 9. Attach using:
  - x2 Hex Head Bolts (31) – 1/2" x 1 1/4"
  - x2 Nylon Lock Nuts (42) – 1/2"

 3/4" Wrench & Socket

3. Tighten the ribs to the blade completely. (41).




# ASSEMBLY

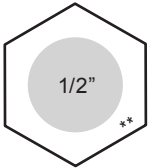
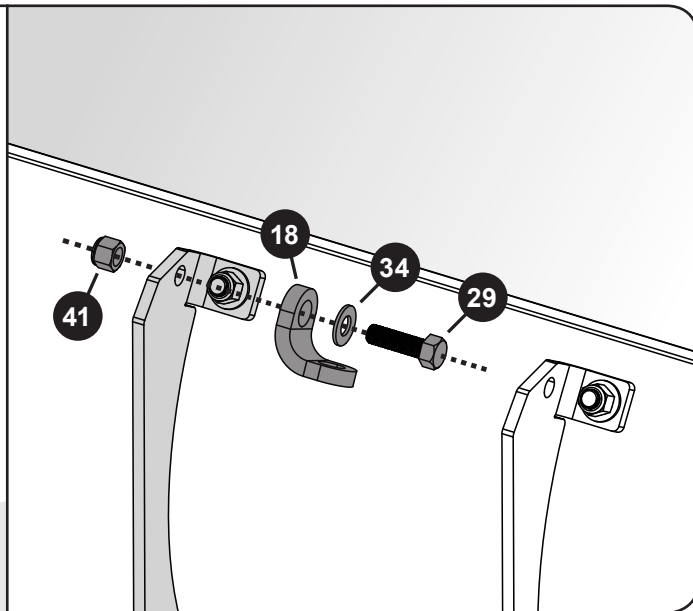
## Assembly Step 12

### Joining the Push Arm to the Blade

4. Attach spring trip bracket (18) using:
  - x1 Hex Head Bolt (29) – 3/8" x 1 1/4"
  - x1 Washer, Flat (34) – 3/8"
  - x1 Lock Nut (41) – 3/8"

 9/16" Wrench & Socket

 **DO NOT** tighten completely (yet).

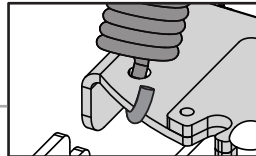


## Assembly Step 13

### Joining the Push Arm to the Blade

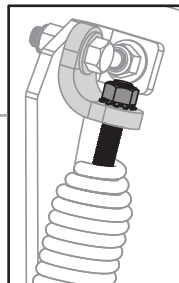
5. Mount trip spring by treading 3/8" x 2 1/2" full threaded bolt (46) and 3/8" washer (34) so that the head of the bolt is captured inside of spring (15).


6. Hook the opposite end of the spring (15) through the pivot weldment (8).



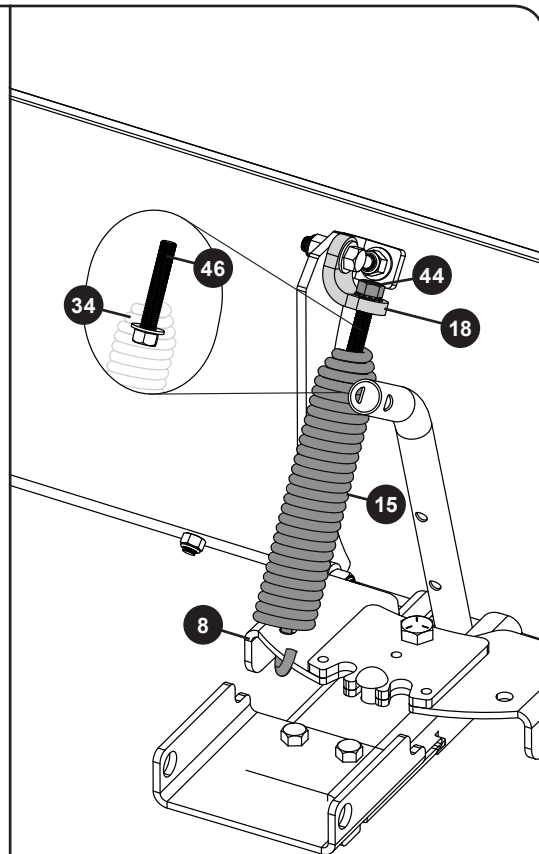
7. Insert the bolt through the trip bracket (18) that was installed on Assembly Step 12.

*Tread and tighten the 3/8" toothed nut (44) until the spring is touching the bracket.*



 9/16" Wrench & Socket

8. Tighten the nut and bolt that were added on Assembly Step 12.



5"

4"

3"

2"

1"

0"




\*\*Exterior circumference of washers can vary. These dimensions are a measurement of the internal diameter of the washer.

# ASSEMBLY

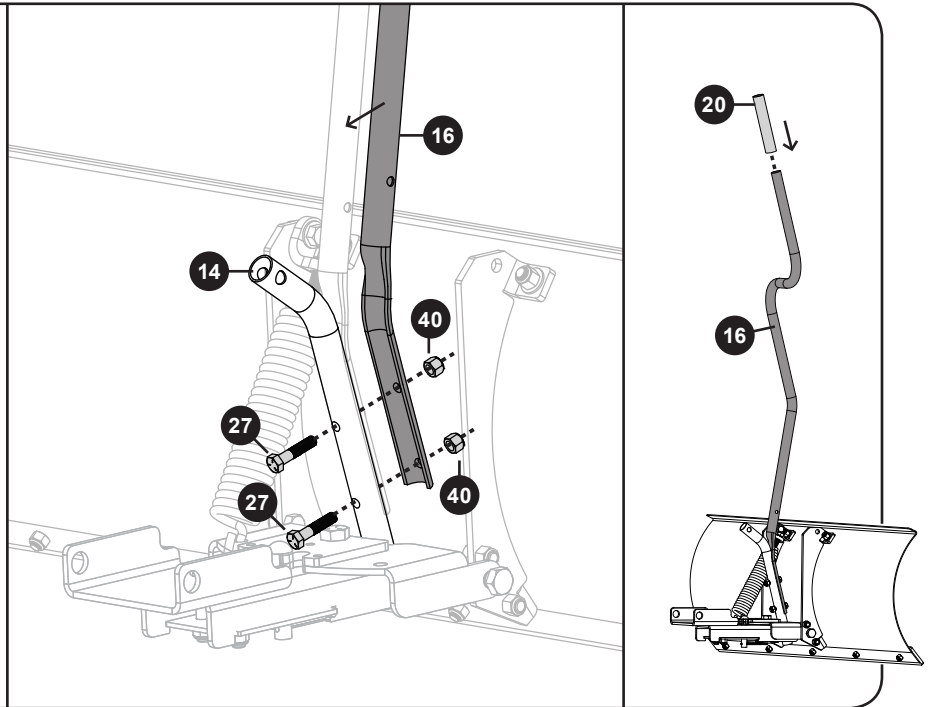
## Assembly Step 14

### Adding the Upper Handle

1. Attach the upper handle tube (16) to the lower handle tube (14) using:
  - x2 Bolts (27) – 5/16" x 1 1/2"
  - x2 Lock Nuts (40) – 5/16"

 1/2" Wrench & Socket

2. Slid grip (20) over the end of the upper handle tube (16).




DO NOT TIGHTEN FULLY. *This part needs to pivot.*

## Assembly Step 15


### Reinforcement Bracket

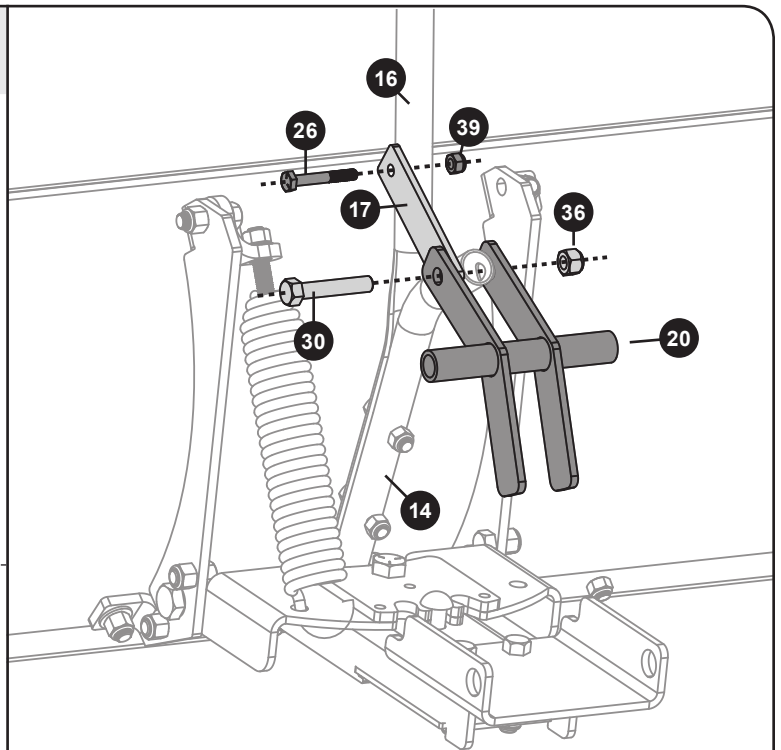
1. Attach the reinforcement bracket (17) and pivot weldment (20) to both of the handle tubes, upper (16) and lower (14), using:

x1 Bolt (26) – 1/4" x 1 3/4"  
+ x1 Lock Nut (39) – 1/4"

 7/16" Wrench & Socket

x1 Bolt (30) – 3/8" x 2"  
+ x1 Lock Nut (36) – 3/8"

 9/16" Wrench & Socket

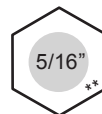
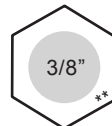
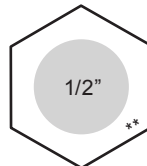
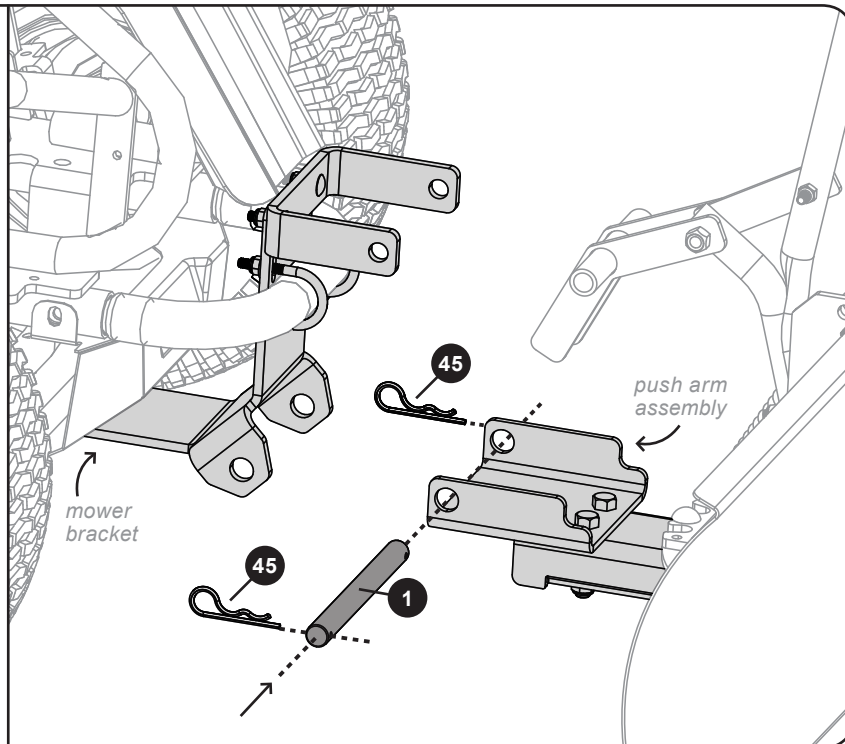


# ASSEMBLY

## Assembly Step 16

### Mounting the Blade

1. Face the back of the blade assembly toward the bracket that you added to your mower in Assembly Steps 1-2.
2. The push assembly will easily slide within the lower tabs extending from the mower bracket.
3. After aligning the two sets of bracket holes, insert the plated hinge rod / pin (1) and secure with two hairpin cotters (45), one on each end.



5" ———

-----

-----

4" ———

-----

-----

3" ———

-----

-----

2" ———

-----

-----

1" ———

-----

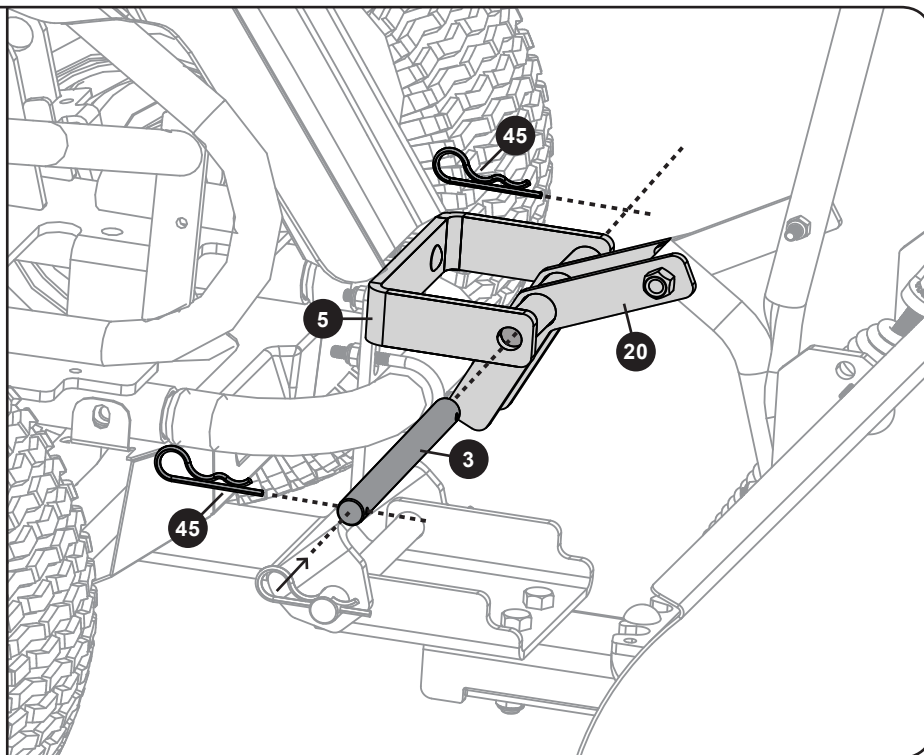
-----

0" ———

## Assembly Step 17

### Mounting the Blade

4. Line up pivot weldment (20) with the pivot bracket (5) and insert pin (3).
5. Secure with two hairpin cotters (45).



\*\*Exterior circumference of washers can vary. These dimensions are a measurement of the internal diameter of the washer.

# OPERATION

**CAUTION:** Keep feet and hands clear of blade while raising and lowering the blade. Pay close attention to your surrounding and people in your immediate area at all times.

## Operation Step 1

### Transport Position

1. To raise your blade into transport position, pull the upper handle toward operator.  
*Note: Ensure the handle has been pulled back far enough to engage the self-locking feature.*

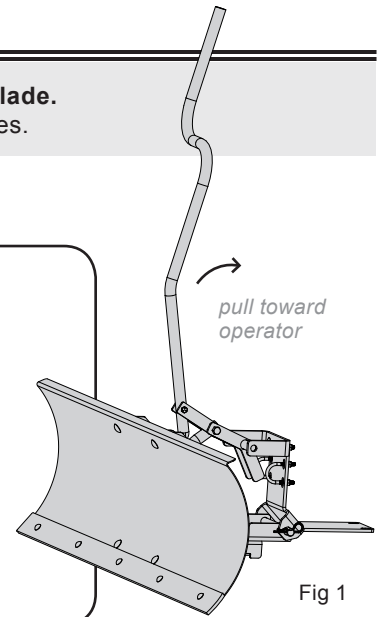


Fig 1

## Operation Step 2

### Changing the Blade Angle

1. Turn key switch off & engage parking brake, then lower the blade to the ground.
2. Simply remove the hair pin beneath the push assembly arm (see fig 2.1) and pull hitch pit out (fig 2.2).
3. Rotate blade to desired location (fig 2.3).
4. Replace the hitch pin and secure hair pin underneath in order to lock the blade in position.

Fig 2.1

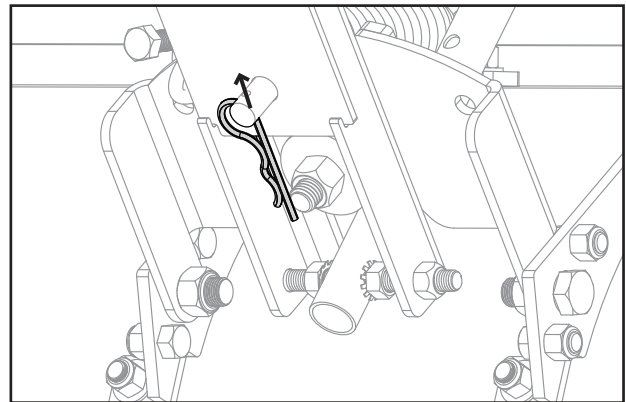


Fig 2.2

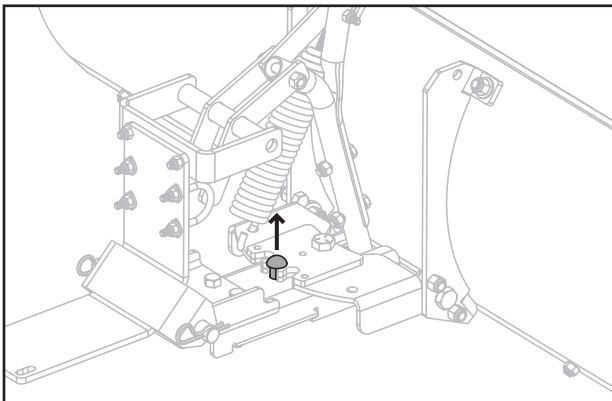
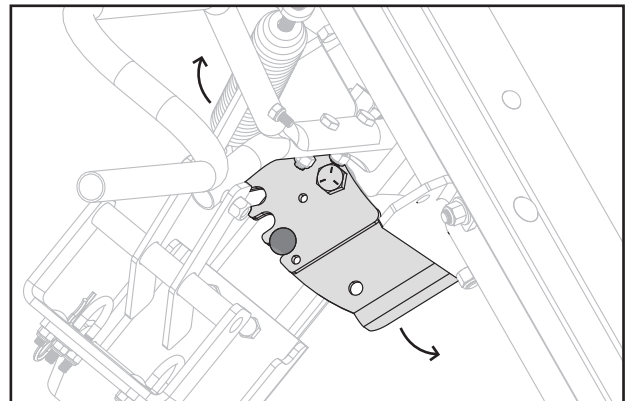


Fig 2.3



**NOTE:** Do not adjust angle of blade while in transport position.



# OPERATION



**CAUTION: Keep feet and hands clear of blade while raising and lowering the blade.**  
Pay close attention to your surrounding and people in your immediate area at all times.



## CAUTION

### 1. INSPECT THE AREA

Before operating the snow blade, inspect the area to be worked carefully. Avoid curbs and other heavy obstructions.

### 2. KNOW THE TERRAIN

Avoid exceptionally sharp slopes or drop offs which may be hidden by the snow, never run the snow blade into heavy material at high speed.

### 3. LOWER THE BLADE

Always lower blade to ground before leaving mower

### 4. START SLOW

Always begin at low speeds and *gradually increase* as required. **Do not exceed 5 mph.**  
Do not attempt to move snow all in the same direction, causing an excessive buildup, which would become larger with each pass.

### 5. RAISE THE BLADE

Raise blade when moving in reverse

### 6. SNOW REMOVAL

The blade is intended for snow removal only

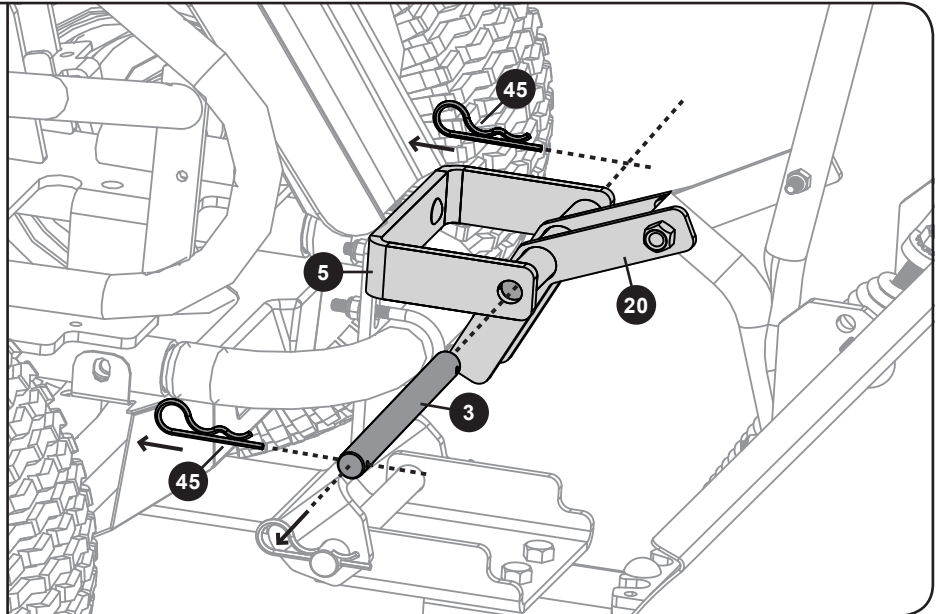
# STORAGE

**⚠ CAUTION: Keep feet and hands clear of blade while raising and lowering the blade.**  
Pay close attention to your surrounding and people in your immediate area at all times.

## Storage Step 1

### Removing Blade

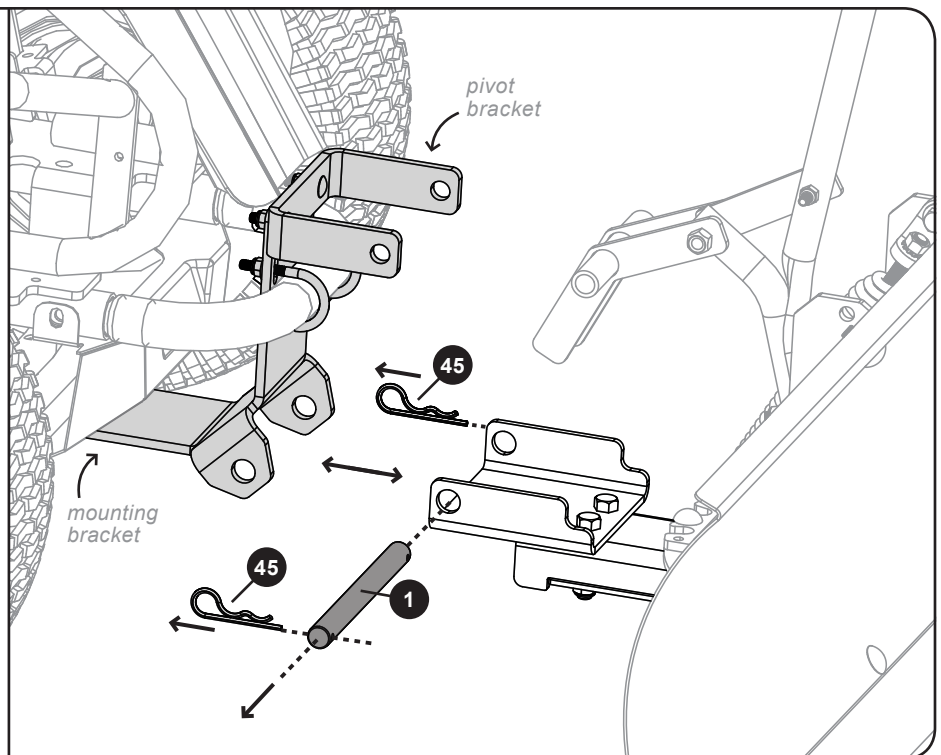
1. Turn key switch off and engage the parking brake, then lower the blade to the ground.
2. Remove the two hairpin cotters (45).
3. Remove the pin (3) from the pivot weldment (20) and pivot bracket (5).



## Storage Step 2

### Removing Blade

4. Set aside the two hairpin cotters (45) from each end and remove the plated hinge rod / pin (1).
5. The push arm assembly and mounting bracket will easily separate.
6. Leave the mounting and pivot brackets attached to the mower.



# MAINTENANCE



**CAUTION: Keep feet and hands clear of blade while raising and lowering the blade.**  
Pay close attention to your surrounding and people in your immediate area at all times.

## 1. CLEAN AND DRY

The key to years of trouble-free service is to keep you plow clean and dry

## 2. MOVING PARTS

After the first 30 minutes of use, check all of the fasteners for tightness. Thereafter, periodically check all fasteners for tightness.

## 3. MOVEMENT

Check all moving parts for free movement and if necessary, lubricate with oil.

## 4. BUILD-UP

Periodically remove debris build up

## 5. RUST

For rust appearing on painted surfaces, sand lightly and point affected area with enamel.

## 6. ROTATION

After the wear bar has worn considerably, it should be rotated (from bottom to top) to provide a "new" edge. Remove the five carriage bolts (5/16"), rotate the blade, and then reassemble the unit with the "new" edge on the surface.

---

**MANUFACTURER'S LIMITED WARRANTY  
FOR**



**THIS IS A COPY OF OUR EXISTING WARRANTY IF YOU WOULD LIKE TO USE IT FOR REFERENCE:**

The limited warranty set forth below is given by Brinly-Hardy Company with respect to new merchandise purchased and used in the United States, its possessions and territories.

Brinly-Hardy Company warrants the products listed below against defects in material and workmanship, and will at its option, repair or replace, free of charge, any part found to be defective in materials or workmanship. This limited warranty shall only apply if this product has been assembled, operated, and maintained in accordance with the Operator's manual furnished with the product, and has not been subject to misuse, abuse, commercial use, neglect, accident, improper maintenance, alteration, vandalism, theft, fire, water, or damage because of other peril or natural disaster.

Normal Wear Parts or components thereof are subject to separate terms as follows: All normal wear parts or component failures will be covered on the product for a period of 90 days.

Parts found to be defective within the warranty period will be replaced at our expense. Our obligation under this warranty is expressly limited to the replacement or repair, at our option, of parts found to be defective in material and workmanship.

**HOW TO OBTAIN SERVICE:** Warranty parts replacements are available, ONLY WITH PROOF OF PURCHASE, through our Customer Service Department. Call 877-728-8224.

This limited warranty does not provide coverage in the following cases:

- a) Routine maintenance items such as lubricants and filters.
- b) Normal deterioration of the exterior finish due to use or exposure.
- c) Transportation and/or labor charges.
- d) The warranty does not include commercial and/or rental use.

**No implied warranty, including any implied warranty of merchantability of fitness for a particular purpose, applies after the applicable period of express written warranty above as to the part as identified below. No other express warranty whether written or oral, except as mentioned above, given by any person or entity, including a dealer or retailer, with**

respect to any product, shall bind Brinly-Hardy Co. During the period of the warranty, the exclusive remedy is repair or replacement of the product as set forth above.

**The provisions as set forth in this warranty provide the sole and exclusive remedy arising from the sale. Brinly-Hardy Co. shall not be liable for incidental or consequential loss or damage including, without limitation, expenses incurred for substitute or replacement lawn care services or for rental expenses to temporarily replace a warranted product.**

Some states do not allow the exclusion or limitation of incidental or consequential damages, or limitations on how long an implied warranty lasts, so the above exclusions or limitations may not apply to you.

During the warranty period, the exclusive remedy is replacement of the part. In no event shall recovery of any kind be greater than the amount of the purchase price of the product sold. Alteration of safety features of the product shall void this warranty. You assume the risk and liability for loss, damage, or injury to you and your property and/or to others and their property arising out of the misuse or inability to use this product.

This limited warranty shall not extend to anyone other than the original purchaser or to the person for whom it was purchased as a gift.

**HOW STATE LAW RELATES TO THIS WARRANTY:** This limited warranty gives you specific legal rights, and you may also have other rights which vary from state to state.

**IMPORTANT:** The Warranty period stated below begins with the PROOF OF PURCHASE. Without the proof of purchase, the Warranty period begins from the date of manufacture determined by the serial number manufacturing date.

**WARRANTY PERIOD:**

The warranty period for the product shown in this manual is as follows: Steel Frame Parts: 2 Years. Tires, Wheels and Drive are normal wear parts – 90 days.

SINCE 1839

**BRINLY**

SINCE 1839

**BRINLY**

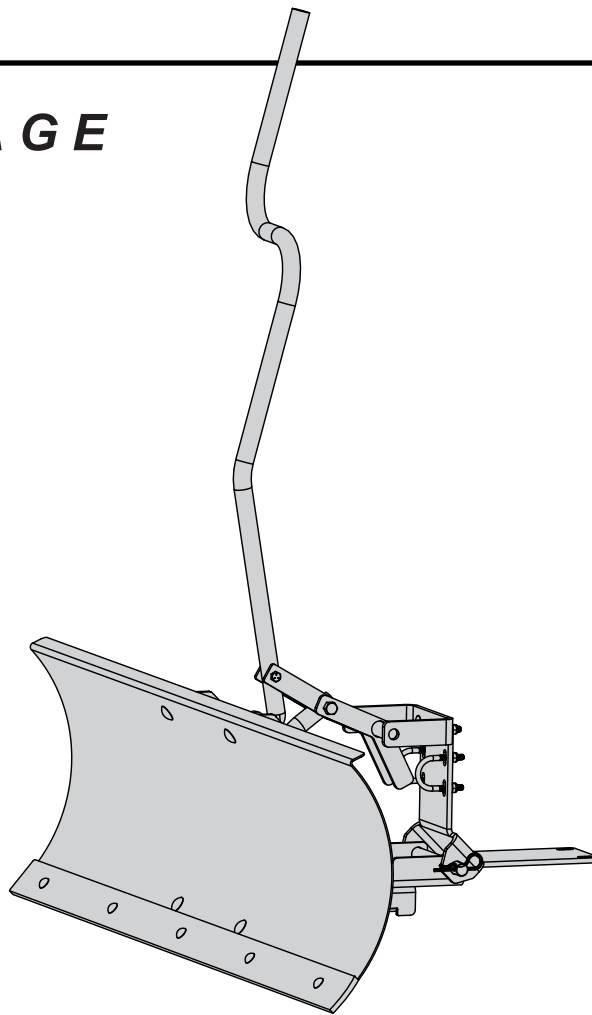
# MANUEL DU PROPRIÉTAIRE

## **LAME À ATTELAGE FRONTALE**

MODÈLE:

**FB-42RY**

- Assemblage
- Installation
- Utilisation
- Pièces de Rechange



Consultez notre  
site Web!  
[www.brinly.com](http://www.brinly.com)

Important : Le présent manuel renferme des renseignements relatifs à la sécurité des personnes et des biens. Lisez attentivement ces consignes avant d'assembler et d'utiliser l'équipement!

# INTRODUCTION

FÉLICITATIONS pour l'achat de votre nouvel épandeur Brinly-Hardy! Votre épandeur a été conçu, pensé et fabriqué dans le but d'offrir la plus grande fiabilité et le meilleur rendement qui soient.



## RESPONSABILITÉS DU CLIENT

- Veuillez lire et conserver le présent manuel. Les présentes directives vous permettront de correctement assembler et entretenir votre épandeur de jardin.
- Veuillez lire attentivement la section « Sécurité » de ce manuel.
- Votre épandeur Brinly-Hardy doit faire l'objet d'un programme d'entretien régulier.

## TABLE DES MATIÈRES

SÉCURITÉ .....	2-3
LISTE DES PIÈCES ET RÉFÉRENCES .....	4-5
ASSEMBLAGE .....	7-15
UTILISATION .....	16-17
STOCKAGE .....	18
ENTRETIEN .....	19
GARANTIE LIMITÉE.....	20

## ENREGISTREMENT DES INFORMATIONS D'ACHAT

Enregistrez vos informations d'achat dans les espaces prévus ci-dessous :

DATE D'ACHAT \_\_\_\_\_

NOM DE L'ENTREPRISE \_\_\_\_\_

TÉLÉPHONE  
DE L'ENTREPRISE \_\_\_\_\_

NUMÉRO DE SÉRIE \_\_\_\_\_

# SÉCURITÉ



Ce symbole identifie d'importantes consignes de sécurité tout au long de ce manuel. Il signifie **ATTENTION! SOYEZ ATTENTIF!** Il en va de votre sécurité.

## LES ÉTIQUETTES DE SÉCURITÉ ET DE NOTATION

Les étiquettes de sécurité illustrées dans cette section sont apposées sur des zones importantes de votre produit pour signaler des dangers.

Les étiquettes de sécurité apposées sur votre produit portent les mentions **DANGER**, **AVERTISSEMENT** et **MISE EN GARDE** accompagnées du symbole d'alerte de sécurité. La mention **DANGER** identifie les dangers les plus graves.

Le manuel de l'utilisateur explique également, le cas échéant, tout danger potentiel relatif à la sécurité à l'aide de messages spéciaux de sécurité identifiés par la mention **MISE EN GARDE** et le symbole d'alerte de sécurité.



**MISE EN GARDE : Gardez les pieds et les mains à l'écart de la lame lors de la montée et de la descente de la lame.** Portez une attention particulière à votre entourage et aux personnes de votre voisinage immédiat à tout moment.

# SÉCURITÉ



## REMARQUES GÉNÉRALES (UTILISATION)

Faites preuve de prudence lorsque vous utilisez un accessoire. La combinaison de cet accessoire aux facteurs de répartition du poids, de rayon de braquage et de vitesse du véhicule tracteur peut causer de graves blessures ou la mort du conducteur, des dommages au véhicule et/ou à l'accessoire en cas d'utilisation inadéquate. Respectez toutes les consignes de sécurité figurant dans le manuel du propriétaire de véhicule tracteur, y compris les suivantes:

- Remorquez uniquement ce produit en respectant les consignes de mode/vitesse de remorquage du véhicule sans dépasser 8 km/h (5 mi/h). Ne roulez pas à plus de 8 km/h (5 mi/h).
- La vitesse doit toujours être assez lente pour permettre de conserver la maîtrise de l'équipement. Conduisez lentement et soyez prudent lorsque vous roulez sur un terrain accidenté. Évitez les trous, les pierres et les racines.
- Ralentissez avant de tourner et évitez les changements de direction brusques.
- Soyez prudent dans les virages. Le véhicule a un plus grand rayon de déportement arrière lorsqu'un accessoire est remorqué.
- Évitez de remorquer l'accessoire sur des pentes raides. Un chargement trop lourd peut entraîner une perte de contrôle ou le renversement de l'accessoire remorqué et du véhicule.
- Roulez lentement et progressivement sur les pentes. Évitez tout changement brusque de vitesse ou de direction.
- Si vous démarrez et stoppez brusquement sur une pente, vous pouvez perdre la maîtrise du véhicule et le véhicule peut se renverser.
- Évitez de démarrer ou de stopper brusquement lors des descentes ou des montées. Évitez les démarrages en côte.
- Ralentissez et soyez très prudent sur les terrains inclinés. L'état de la pelouse peut influencer la stabilité du véhicule. Soyez très prudent lorsque vous roulez à proximité de ravins.
- Ne conduisez pas près de ruisseaux, fossés et autoroutes publiques.
- Soyez attentif à la circulation lorsque vous traversez une route.
- Faites attention lorsque vous chargez ou déchargez le véhicule d'une remorque ou d'un camion.
- Durant les marches arrière, reculez en ligne droite avec prudence.
- Arrêtez-vous sur une surface plane, désengagez les roues, serrez le frein de stationnement et arrêtez le moteur avant de quitter le poste de conduite pour toute raison, y compris le déchargement de l'accessoire remorqué.
- N'utilisez cet accessoire que pour l'usage pour lequel il a été conçu.
- Portez toujours des chaussures antidérapantes couvrant bien les pieds. Ne portez pas de vêtement ample ni de bijou et attachez vos cheveux s'ils sont longs.
- Gardez un œil sur le véhicule tracteur et l'accessoire, ainsi que sur la zone de travail. Concentrez-vous sur la tâche en cours, sans vous laisser distraire.
- Faites attention aux trous et aux autres dangers dissimulés sur le terrain.

- Conservez le véhicule et l'accessoire en bon état de fonctionnement. Gardez les dispositifs de protection en place.
- Si vous heurtez un objet, arrêtez le véhicule et vérifiez s'il y a des dommages au véhicule ou à l'accessoire. Faites réparer tout dommage avant de redémarrer et de réutiliser l'équipement.
- Assurez-vous que toutes les pièces demeurent en bon état et correctement installées. Réparez les pièces endommagées immédiatement. Remplacez les pièces usées ou endommagées.
- Remplacez les autocollants de sécurité et de mode d'emploi dès qu'ils sont usés ou endommagés. Assurez-vous que tous les écrous, boulons et vis sont bien serrés.
- Ne modifiez pas l'accessoire ou les dispositifs de sécurité. Des modifications non autorisées apportées au véhicule tracteur ou à l'accessoire pourraient entraver son fonctionnement et ses dispositifs de sécurité, ainsi qu'annuler la garantie.

## SÉCURITÉ DU VÉHICULE

- Familiarisez-vous avec les commandes de votre véhicule et la manière de l'arrêter en toute sécurité. LISEZ LE MANUEL DU PROPRIÉTAIRE DU VÉHICULE avant de l'utiliser.
- Vérifiez le système de freinage du véhicule avant de l'utiliser. Ajustez ou faites inspecter les freins au besoin.
- La distance d'arrêt augmente avec la vitesse et le poids du chargement. Déplacez-vous lentement et assurez-vous d'avoir assez de temps et d'espace pour vous arrêter.
- Ne placez jamais la transmission au neutre pour descendre une pente.
- Ne laissez pas un adulte utiliser le véhicule sans directives préalables adéquates ou sans qu'il ait lu le manuel du propriétaire.
- Ne laissez jamais un enfant utiliser le véhicule.

## PROTÉGEZ VOTRE ENTOURAGE

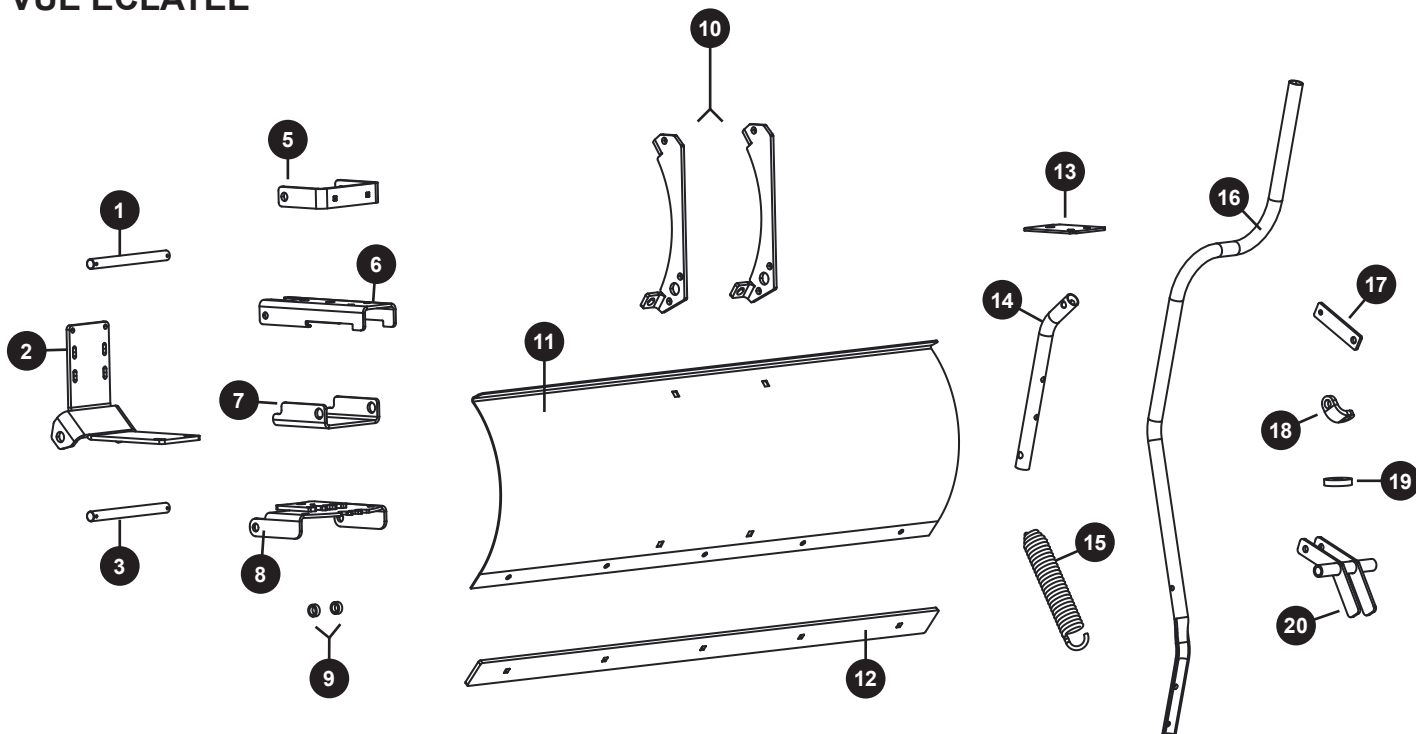
- Avant l'utilisation d'une fonction de l'accessoire ou du véhicule, regardez aux alentours et vérifiez s'il y a quelqu'un.
- Tenez-vous à l'écart des enfants, des passants et des animaux domestiques lors de l'utilisation de ce véhicule ou d'un accessoire.
- Soyez attentif pendant les marches arrière. Avant de faire une marche arrière, regardez attentivement derrière vous et vérifiez la présence de passants.

## NE LAISSEZ AUCUN PASSAGER MONTER SUR LE VÉHICULE OU L'ACCESSOIRE

- Ne transportez pas de passager.
- Ne laissez personne monter sur cet accessoire, sur le véhicule ou sur l'attelage, surtout pas un enfant.
- Les passagers pourraient se blesser en se heurtant à des objets et/ou en étant éjectés lors de départs, d'arrêts et de virages soudains.
- Il se peut également que les passagers gênent la visibilité du conducteur, ce qui rendrait la conduite du véhicule dangereuse.

# LISTE DES PIÈCES ET RÉFÉRENCES

## VUE ÉCLATÉE



RÉF	N° DE PIÈCE	DESCRIPTION	QTÉ	RÉF	N° DE PIÈCE	DESCRIPTION	QTÉ
1	1017741-01	Tige, Charnière plaquée	1	11	1018347	Lame, 42 po	1
2	1017835-10	Support avant, peint	1	12	1018118-10	Barre d'usure 42 po, peinte	1
3	1018092-01	Tige, Transport plaqué	1	13	1018119-10	Plaque inférieure, peinte	1
4	1018104	Sac de matériel *	1	14	1018120-10	Tube élévateur, peint	1
	1018352	Sac de pièces *	1	15	1018121	Ressort de déclenchement	1
5	1018105-10	Support, Pivot peint	1	16	1018122-10	Poignée de tube, peinte	1
6	1018109-10	Support, PV inférieur peint	1	17	1018123-10	Poignée de plaque, peinte	1
7	1018110-10	Support, Pivot supérieur peint	1	18	B-7215-10	Support de ressort	1
8	1018111-10	Charnière de soudure, peinte	1	19	B-723P-01	Rondelle épaisse, 3/8 po	1
9	1018115-01	Tube, Pivot plaqué	2	20	1018106-10	Cam de soudure peint	1
10	1018116-10	Lamelles, peintes	2				

\* Non affiché



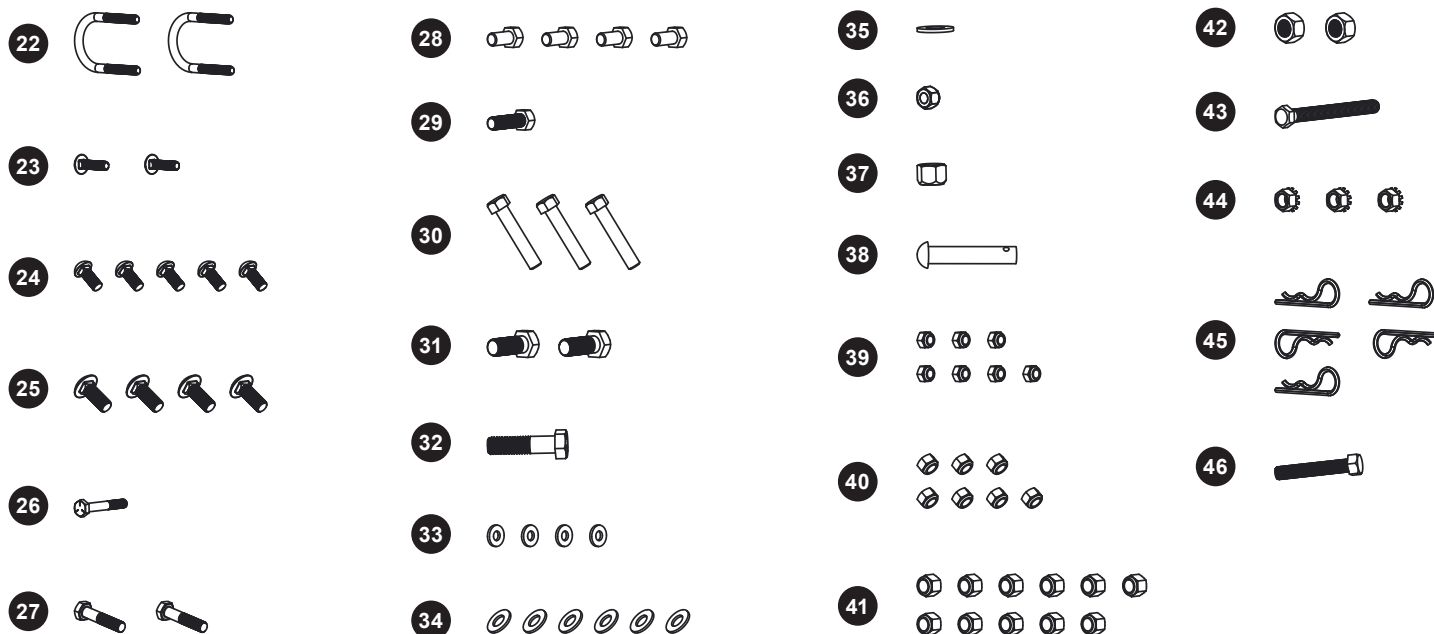
### Outils requis pour l'assemblage :

- 3/4" Prise et Clé
- 9/16" Prise et Clé
- 1/2" Prise et Clé
- 7/16" Prise et Clé
- 12 mm Clé
- Clé à cliquet
- Pinces
- Gants



# LISTE DES PIÈCES ET RÉFÉRENCES

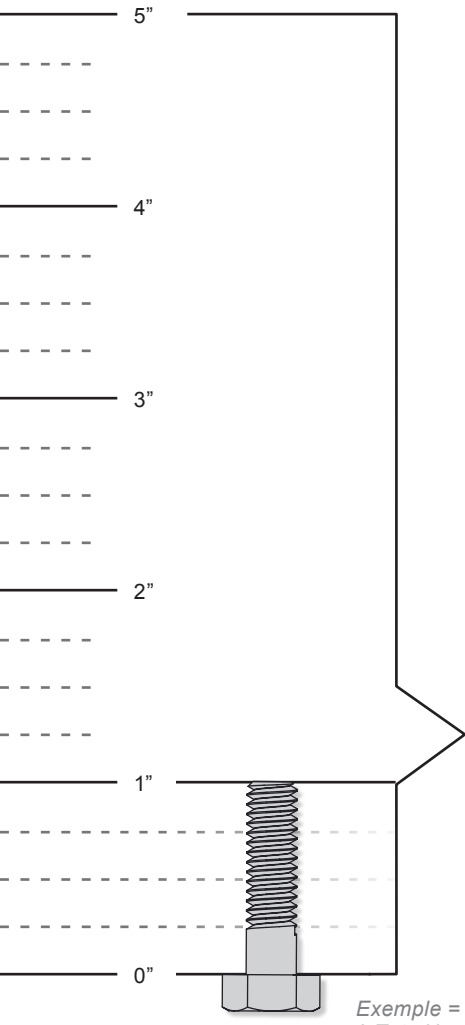
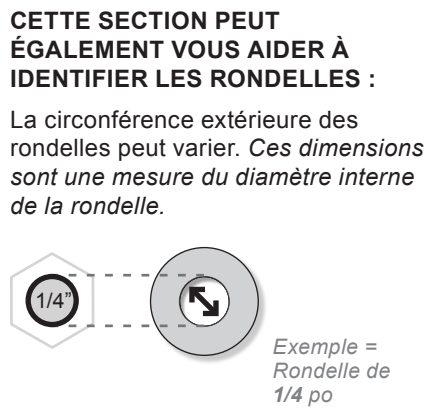
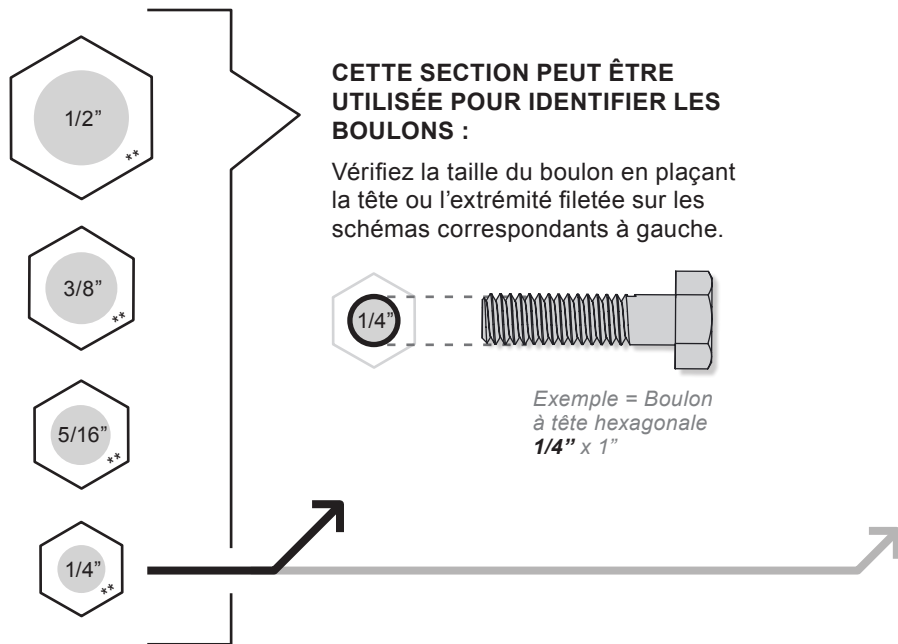
## VUE ÉCLATÉE - SAC DE MATÉRIEL



RÉF	N° DE PIÈCE	DESCRIPTION	QTÉ	RÉF	N° DE PIÈCE	DESCRIPTION	QTÉ
21	1000225	Poignée *	1	35	45M1717P	Rondelle, Plate 1/2"	1
22	1017742	Boulon en U	2	36	B-1675P	Écrou, Contre-écrou hexagonal 3/8"-16	2
23	11M0816P	Boulon, Carrosserie 1/4" x 1"	2	37	B-1677P	Écrou, Contre-écrou hexagonal 1/2"-13	1
24	11M1012P	Boulon, Carrosserie 5/16 x 3/4	5	38	B-3861	Goupille, Attelage 1/2" X 2-1/2"	1
25	11M1216P	Boulon, Carrosserie 3/8 x 1	4	39	B-4785	Écrou, Contre-écrou en nylon 1/4-20	7
26	2M0828P	Boulon, Tête Hexagonale 1/4 x 1-3/4	1	40	B-4786	Écrou, Contre-écrou en nylon 5/16-18	7
27	2M1024P	Boulon, Tête Hexagonale 5/16 x 1-1/2	2	41	B-4820	Écrou, Contre-écrou en nylon 3/8"-16	11
28	2M1212P	Boulon, Tête Hexagonale 3/8 x 3/4	4	42	B-5096Y	Écrou, Contre-écrou en nylon 1/2"-13	2
29	2M1220P	Boulon, Tête Hexagonale 3/8 x 1-1/4	1	43	B-6298	Boulon, Tête Hexagonale 3/8 x 3-3/4	1
30	2M1232P	Boulon, Tête Hexagonale 3/8 x 2	3	44	B-6299	Écrou, Capuchon hexagonal 3/8-16	3
31	2M1620P	Boulon, Tête Hexagonale 1/2 x 1-1/4	2	45	D-146P	Goupille en épingle à cheveux 1/8", #211	5
32	2M1632P	Boulon, Tête Hexagonale 1/2 x 2	1	46	B-7291	Boulon 3/8 x 2-1/2	1
33	45M0909P	Rondelle, SAE Plate 1/4"	4				
34	45M1313P	Rondelle, SAE Plate 3/8	6				


\* Non affiché

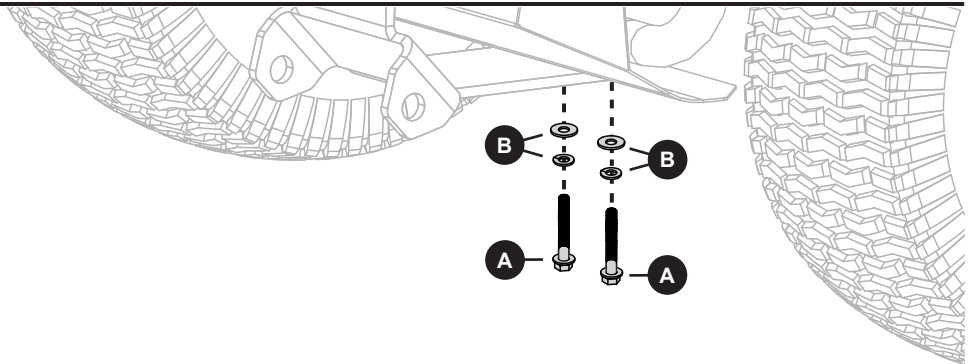
Chaque extension de l'assemblage est accompagnée d'un guide facilitant l'identification du matériel.



# ASSEMBLAGE

Pour la première étape, vous devrez retirer le matériel de l'avant de votre tondeuse.

 Clé de 12 mm



## Étape D'Assemblage 1

Dévissez les deux boulons de la plaque de protection (A) et les deux jeux de rondelles (B).

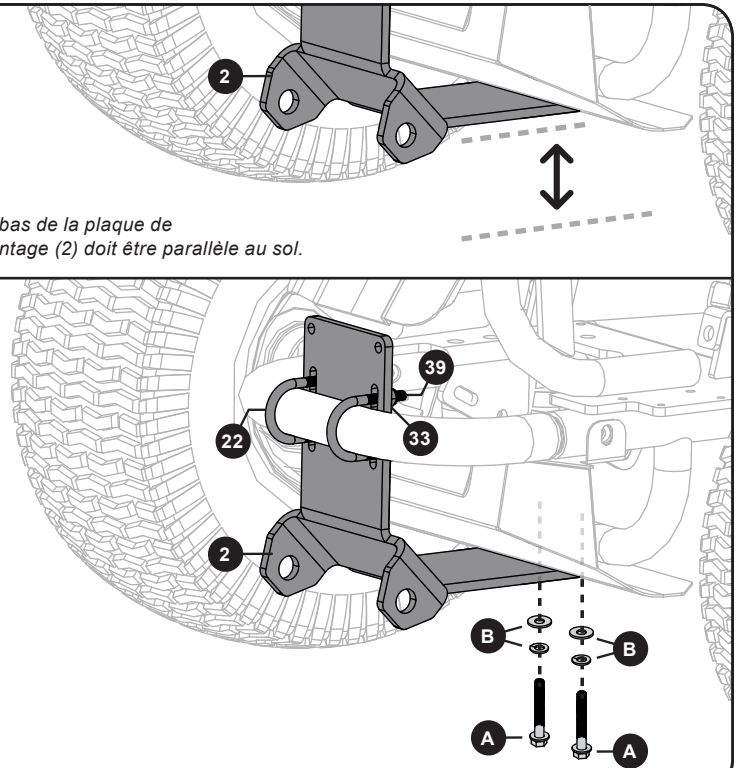
1. Commencez à fixer la plaque de montage (2) à votre tondeuse en réutilisant le matériel retiré (A & B) ainsi que les boulons en U se trouvant dans le sac de matériel :

- x 2 Boulons en U (22)
- x 4 Rondelles (33) – 1/4"
- x 4 Contre-écrous (39) – 1/4"

 Clé de 7/16 po

2. Alignez le bas de la plaque de montage (2) parallèlement au sol et assurez-vous que l'avant de la plaque de montage touche le bord intérieur du tube du pare-chocs. Serrez tout le matériel.


Le bas de la plaque de montage (2) doit être parallèle au sol.

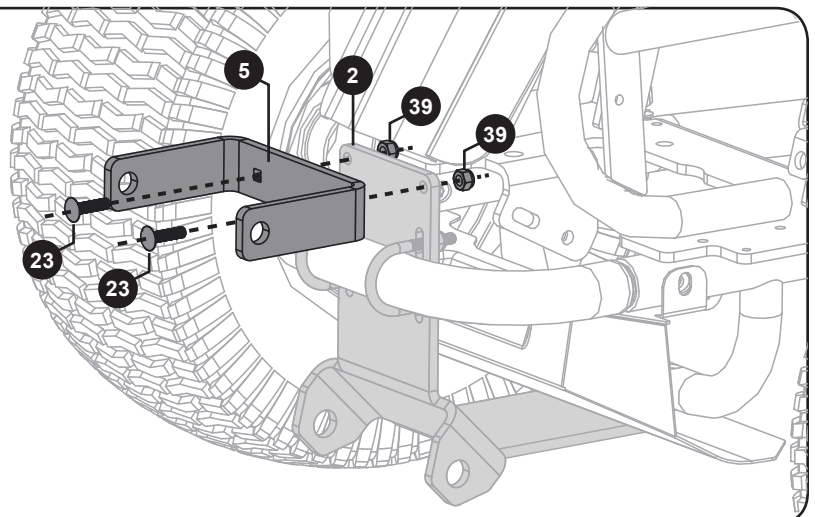


## Étape D'Assemblage 2

3. Fixez le support de pivot (5) à la plaque de montage (2) en utilisant :

- x 2 Boulons de carrosserie (23) – 1/4" x 1"
- x 2 Contre-écrous (39) – 1/4"

 Clé de 7/16 po



# ASSEMBLAGE

## Étape D'Assemblage 3

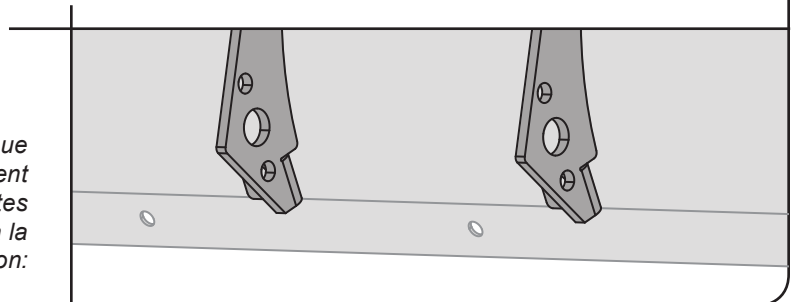
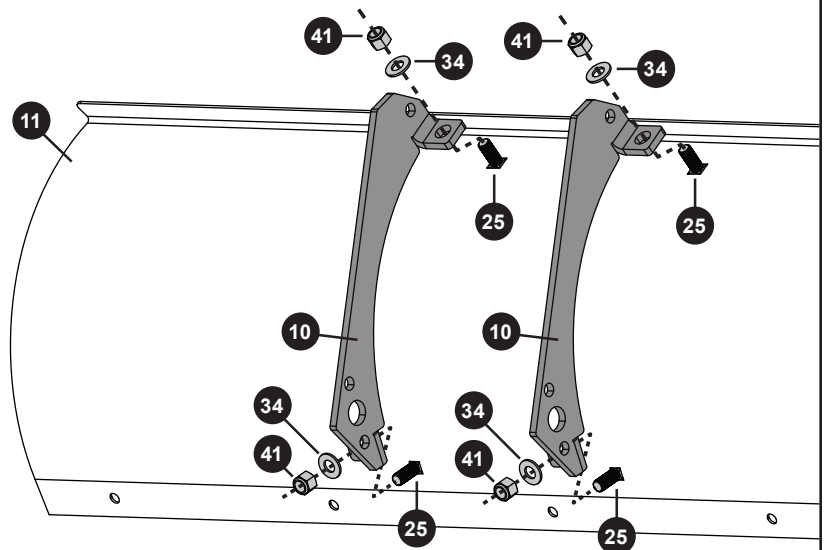
### Assemblage de la Lame

1. Fixez les lamelles (10) à la lame (11) en utilisant :
  - x 4 Boulons de carrosserie (25) – 3/8" x 1"
  - x 4 Rondelles (34) – 3/8"
  - x 4 Contre-écrous (41) – 3/8"

*Remarque : Ne serrez pas complètement (pas encore), il faudra peut-être décaler légèrement ces lamelles lors de l'étape 11 de l'assemblage.*



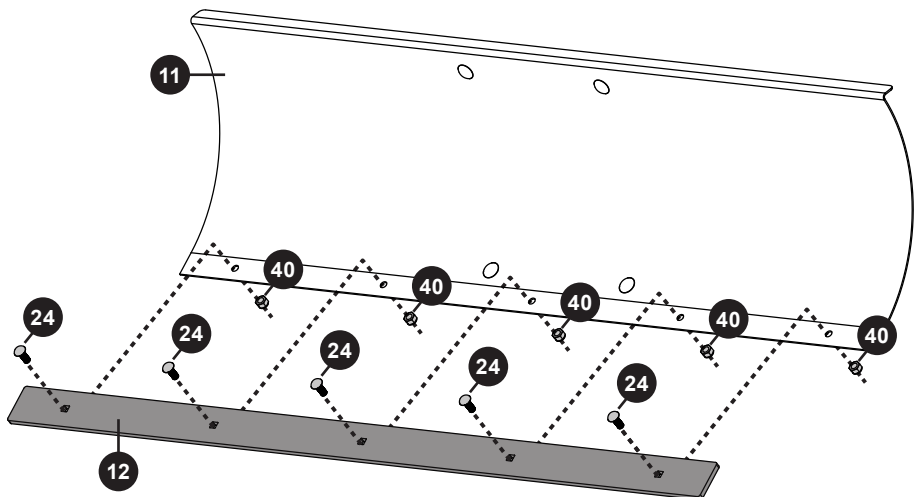
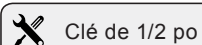
*Remarque : Assurez-vous que les lamelles (10) sont correctement alignées. Les extrémités avec trois petites découpes sur la lamelle doivent être à la base de la lame. Voir illustration:*



## Étape D'Assemblage 4

### Assemblage de la Lame

2. Fixez la barre d'usure (12) au bas de la lame (11) en utilisant :
  - x 5 Boulons de carrosserie (24)
  - x 5 Contre-écrous (40)




# ASSEMBLAGE

## Étape D'Assemblage 5

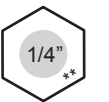
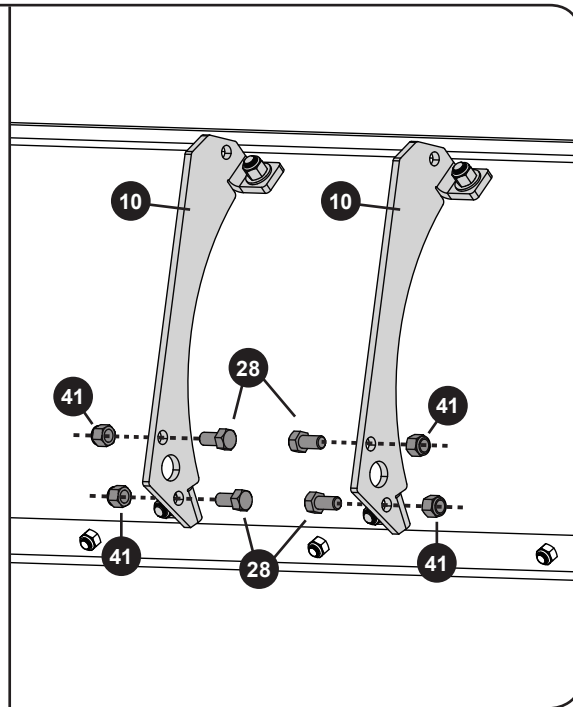
### Assemblage de la lame

3. Installez les boulons et écrous sur les lamelles de la lame (10) en utilisant :
  - x 4 Boulons à tête hexagonale (28) – 3/8" x 3/4"
  - x 4 Contre-écrous (41) \* – 3/8"

*\*Remarque : Les écrous doivent se trouver sur les bords extérieurs des lamelles de la lame.*

 Clé et douille de 9/16 po


4. Mettez la lame de côté.

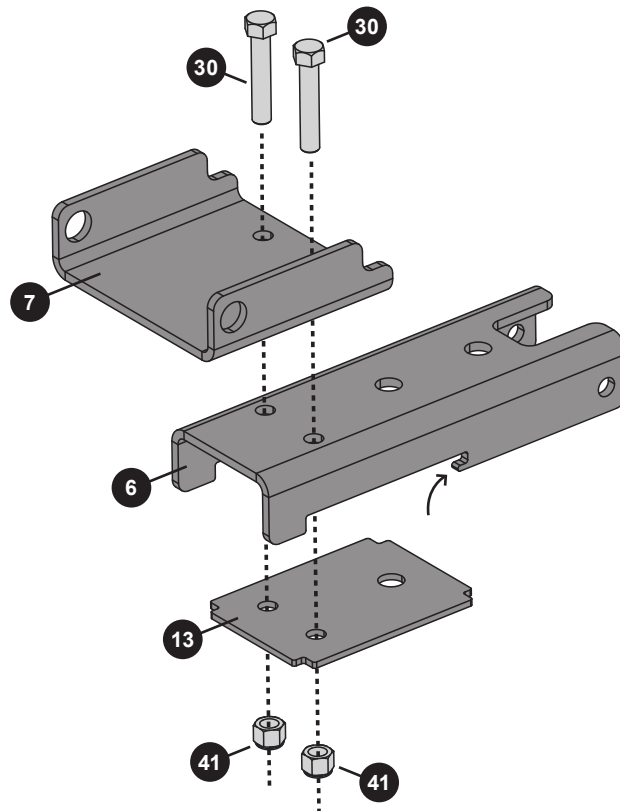


## Étape D'Assemblage 6

### Assemblage de Bras de Poussée

1. Fixez le support de poussée supérieur (7) au support de poussée inférieur (6) et à la plaque inférieure (13) en utilisant :
  - x 2 Boulons à tête hexagonale (30) – 3/8" x 2"
  - x 2 Contre-écrous en nylon (41) – 3/8"

 Clé et douille de 9/16 po



5" ———

4" ———

3" ———

2" ———

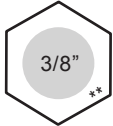
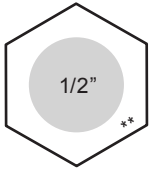
1" ———

0" ———



\*\* La circonférence extérieure des rondelles peut varier. Ces dimensions sont une mesure du diamètre intérieur de la rondelle.

# ASSEMBLAGE



5"

4"

3"

2"

1"

0"

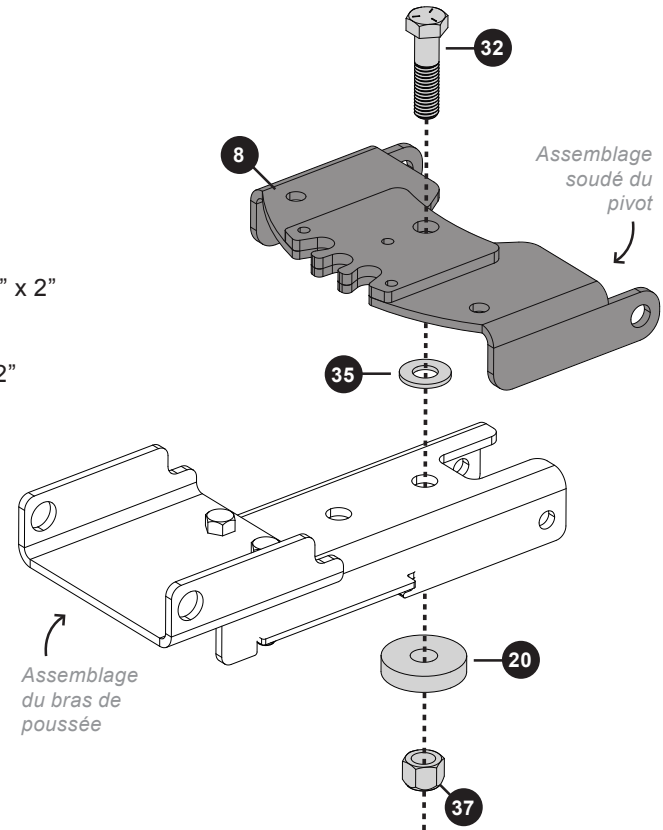
## Étape D'Assemblage 7

### Assemblage de Bras de Poussée

- Fixez l'assemblage soudé du pivot (8) sur le bras de poussée en utilisant :
  - x 1 Boulon à tête hexagonale (32) – 1/2" x 2"
  - x 1 Rondelle, plate (35) – 1/2"
  - x 1 Rondelle, épaisse (19)
  - x 1 Contre-écrou, hexagonale (37) – 1/2"

*REMARQUE : Ne serrez pas trop, les deux supports devraient pouvoir se déplacer librement, mais pas trop lâche pour qu'il y ait du jeu dans le joint.*

Clé et douille de 3/4 po



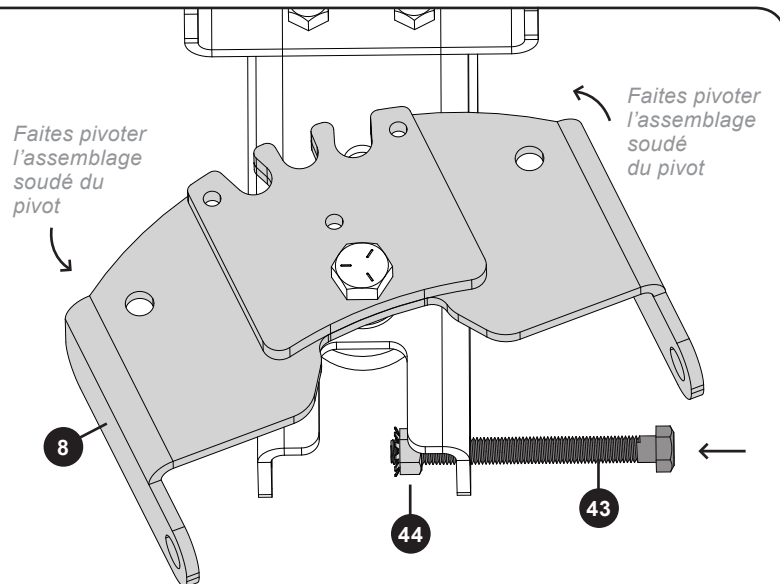
## Étape D'Assemblage 8-A

### Ajout de la Poignée

- Faites pivoter l'assemblage soudé de pivot (8)
- Commencez à passer le boulon à tête hexagonale d'un filetage complet de 3/8 po x 3 3/4 po (43) dans le premier trou du bras de poussée et ajoutez :
  - x 1 écrou hexagonal (44)

*Les dents externes doivent être opposées à la tête du boulon.*

Clé et douille de 9/16 po



# ASSEMBLAGE

## Étape D'Assemblage 8-A

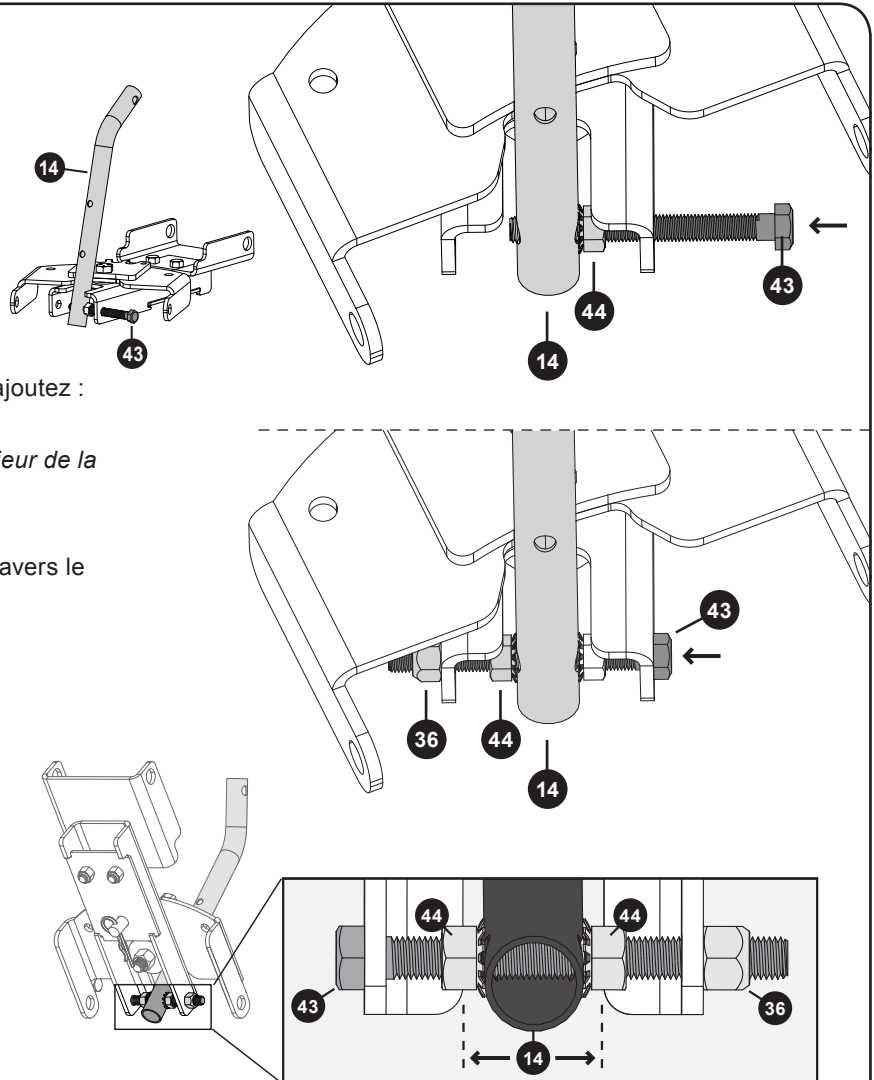
### Ajout de la Poignée

3. Alignez le tube inférieur de la poignée (14) comme illustré ici et continuez à faire passer le boulon à tête hexagonale (43) à la base du tube.
4. Après que le boulon (43) traverse le tube, ajoutez :
  - x 1 écrou hexagonal (44) – 3/8 po*Dents externes orientées vers le tube inférieur de la poignée (14).*
5. Continuez à faire passer le boulon (43) à travers le bras de poussée. Sécurisé en place avec :
  - x 1 Contre-écrou (36) – 3/8 po



Clé et douille de 9/16 po

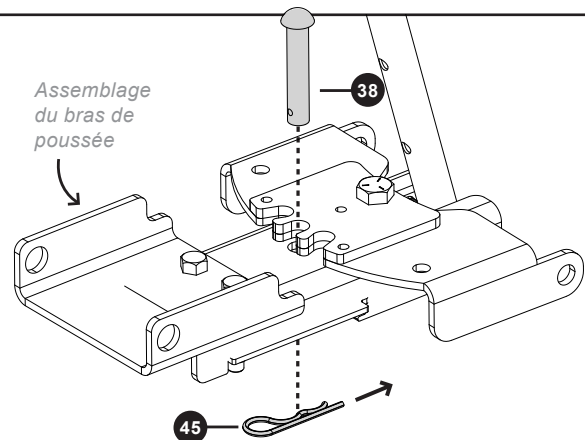
6. Utilisez les deux écrous hexagonaux (44) au centre et fixez le tube de poignée inférieur (14) dans l'ouverture du bras de poussée.  
*(Voir détail à droite).*



## Étape D'Assemblage 9

### Ajout de la Poignée

7. Faites glisser la goupille d'attelage (38) dans le trou central de l'ensemble bras de poussée et fixez-la avec une épingle à cheveux (45).

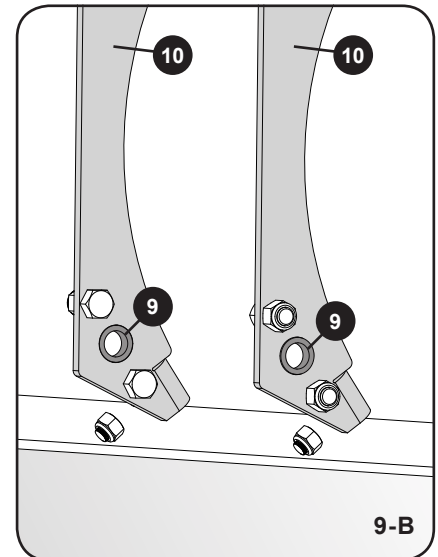
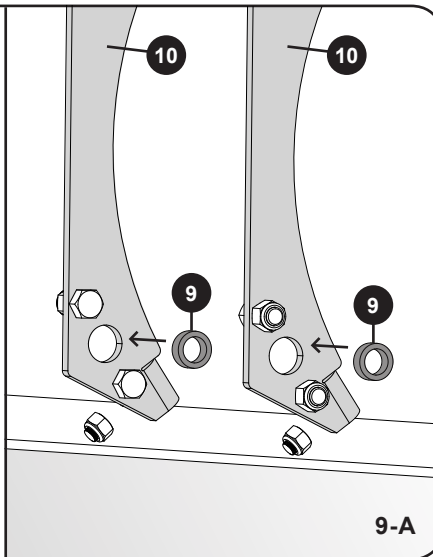


# ASSEMBLAGE

## Étape D'Assemblage 10

### Relier le Bras de Poussée à la Lame

1. Insérez le tube entretoise/pivot (9) dans les grands trous de la partie inférieure des lamettes (10) à l'arrière de la lame.




## Étape D'Assemblage 11

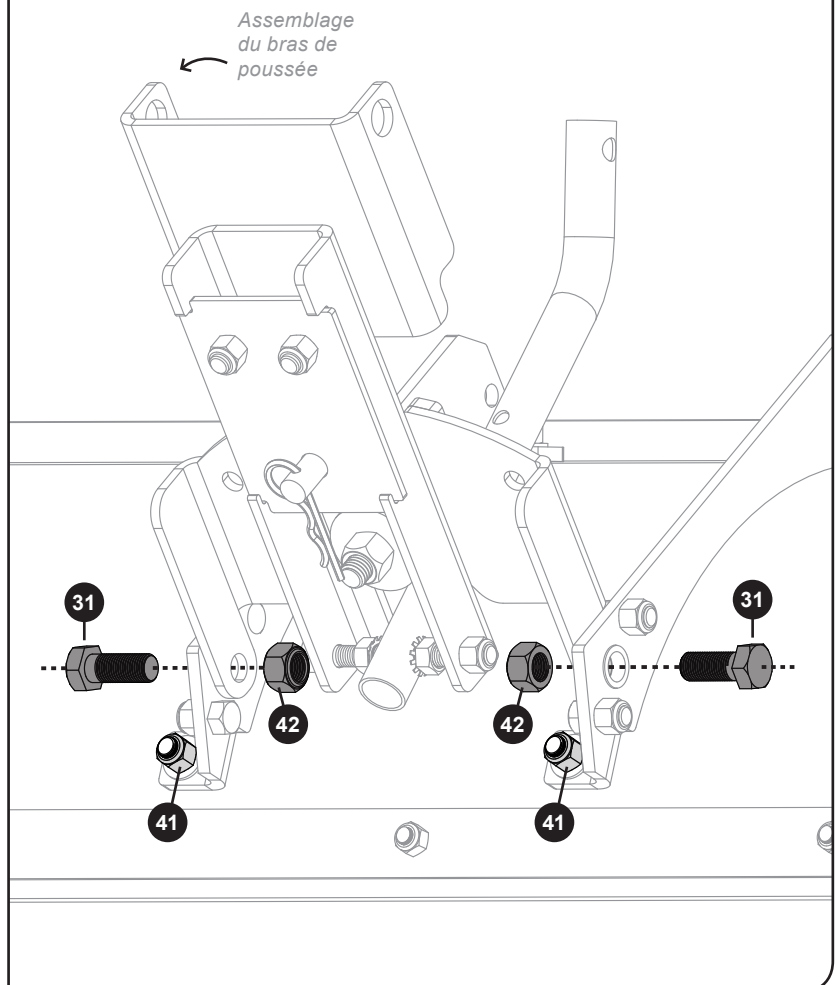
### Relier le Bras de Poussée à la Lame

2. Faites glisser le bras de poussée entre les lamelles et alignez les tubes de pivot insérés à l'étape 9. Joindre en utilisant :

- x 2 Boulons à Tête Hexagonale (31) - 1/2" x 1 1/4"
- x 2 Contre-écrous (42) - 1/2"

 Clé et douille de 3/4 po

3. Serrez les lamelles à la lame complètement. (41).







# ASSEMBLAGE

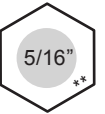
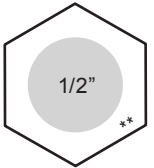
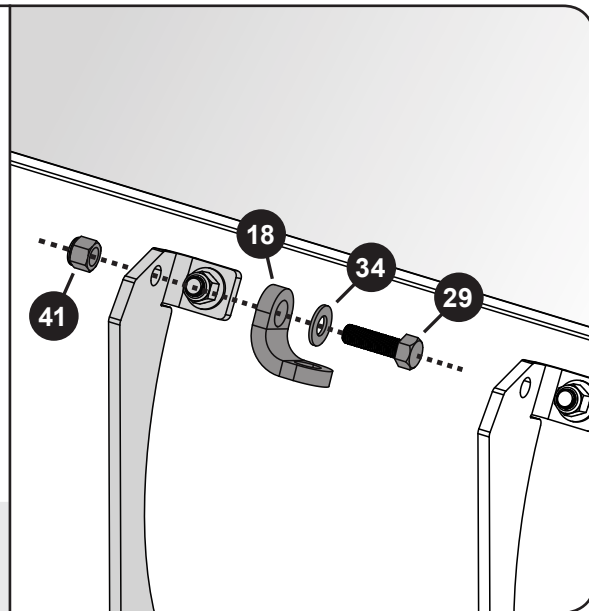
## Étape D'Assemblage 12

### Relier le Bras de Poussée à la Lame

- Fixez le support de déclenchement du ressort (18) en utilisant :
  - x 1 Boulon à tête hexagonale (29) – 3/8" x 1 1/4"
  - x 1 Bondelle plate (34) – 3/8"
  - x 1 Contre-écrou (41) – 3/8"

 Clé et douille de 9/16 po

 **NE PAS** serrer complètement (pas encore).




## Étape D'Assemblage 13

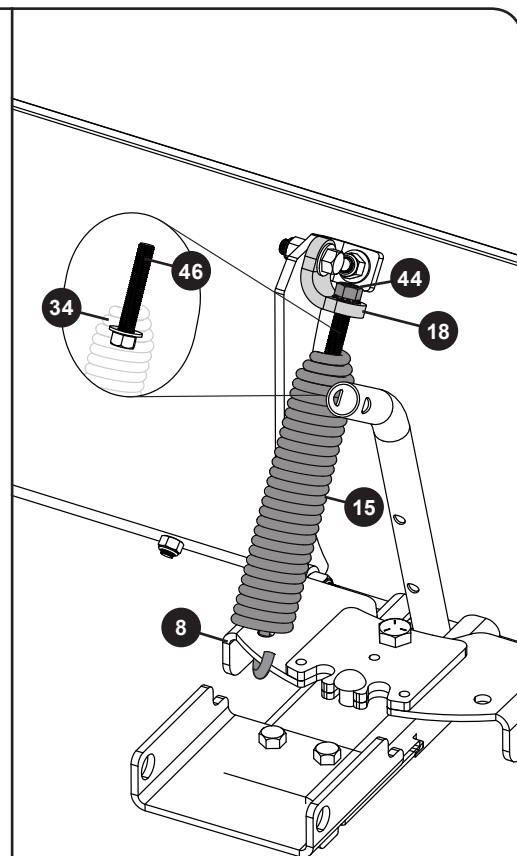
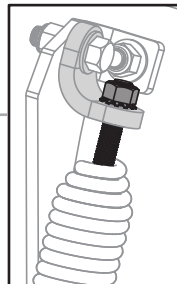
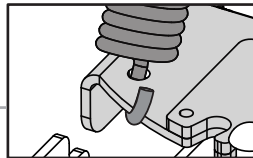
### Relier le Bras de Poussée à la Lame

- Montez le ressort de déclenchement en insérant le boulon plein fileté de 3/8 po x 2 1/2 po (46) et la rondelle de 3/8 po (34) de sorte que la tête du boulon soit capturée à l'intérieur du ressort (15).
- Accrochez l'extrémité opposée du ressort (15) à l'aide de l'assemblage soudé du pivot (8).
- Insérez le boulon dans le support de déclenchement (18) installé à l'étape de montage 12.

*Marchez et serrez l'écrou cranté (44) jusqu'à ce que le ressort touche le support.*

 Llave tubular de 9/16"

- Serrez l'écrou et le boulon ajoutés à l'étape 12 de l'assemblage.



5"

4"

3"

2"

1"

0"



\*\* La circonférence extérieure des rondelles peut varier. Ces dimensions sont une mesure du diamètre intérieur de la rondelle.

# ASSEMBLAGE

## Étape D'Assemblage 14

### Ajout de la poignée supérieure

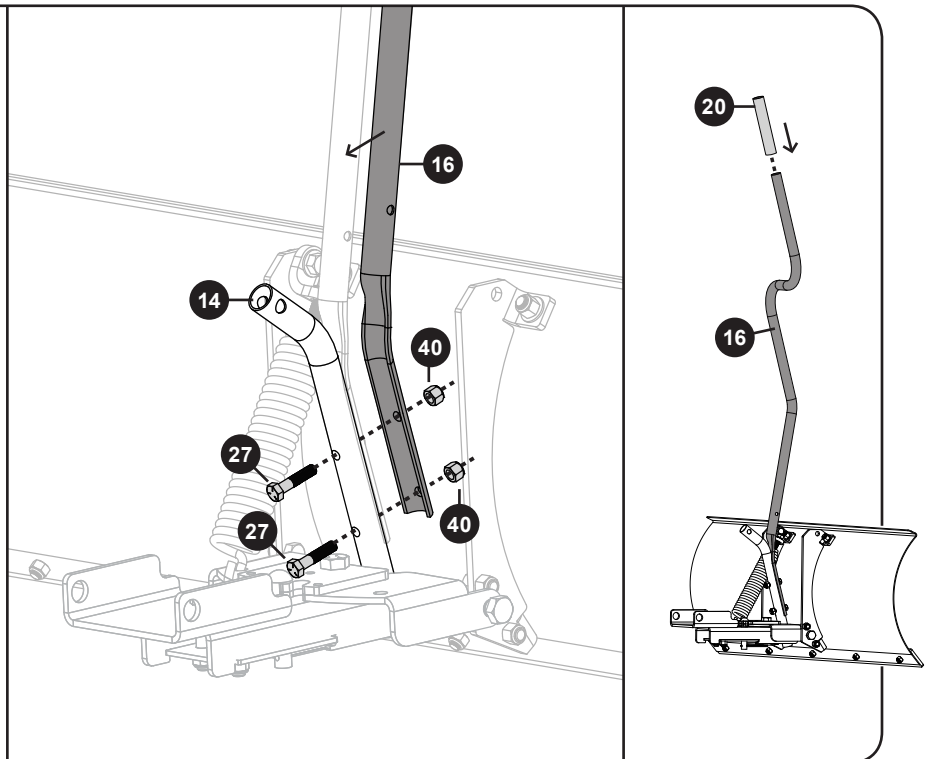
1. Fixez le tube de poignée supérieur (16) au tube de poignée inférieur (14) en utilisant :

- x 2 Boulons (27)
- x 2 Contre-écrous (40)



Clé et douille de 1/2 po

2. Faites glisser la poignée (20) sur l'extrémité du tube de poignée supérieur (16).



*Ne Serrez Pas Complètement. Cette partie doit pivoter.*

## Étape D'Assemblage 15

### Support de Renfort

1. Fixez le support de renforcement (17) et l'assemblage soudé du pivot (20) aux deux tubes de poignée, supérieur (16) et inférieur (14), en utilisant :

- x 1 Boulon (26)
- + x 1 Contre-écrou (39)

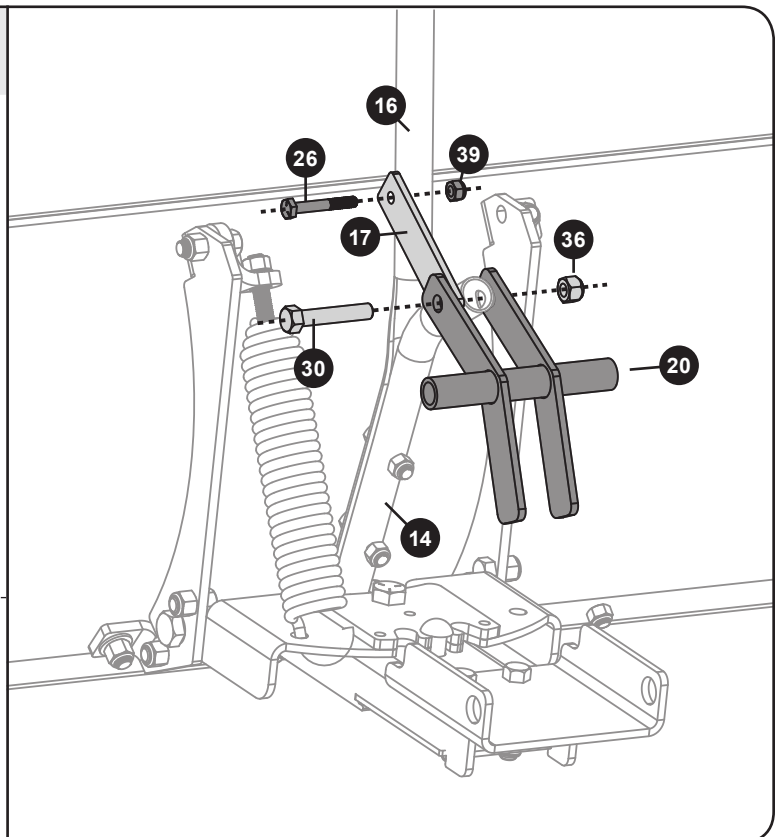


Clé et douille de 7/16 po

- x 1 Boulon (30)
- + x 1 Contre-écrou (36)



Clé et douille de 9/16 po

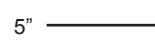
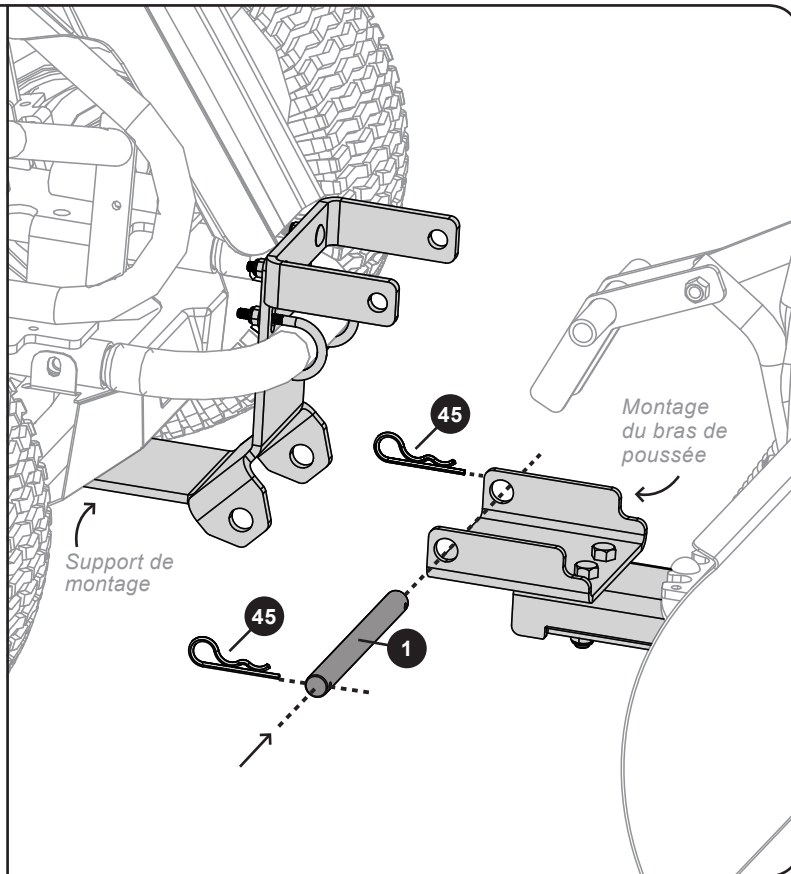


# ASSEMBLAGE

## Étape D'Assemblage 16

### Montage de la Lame

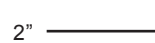
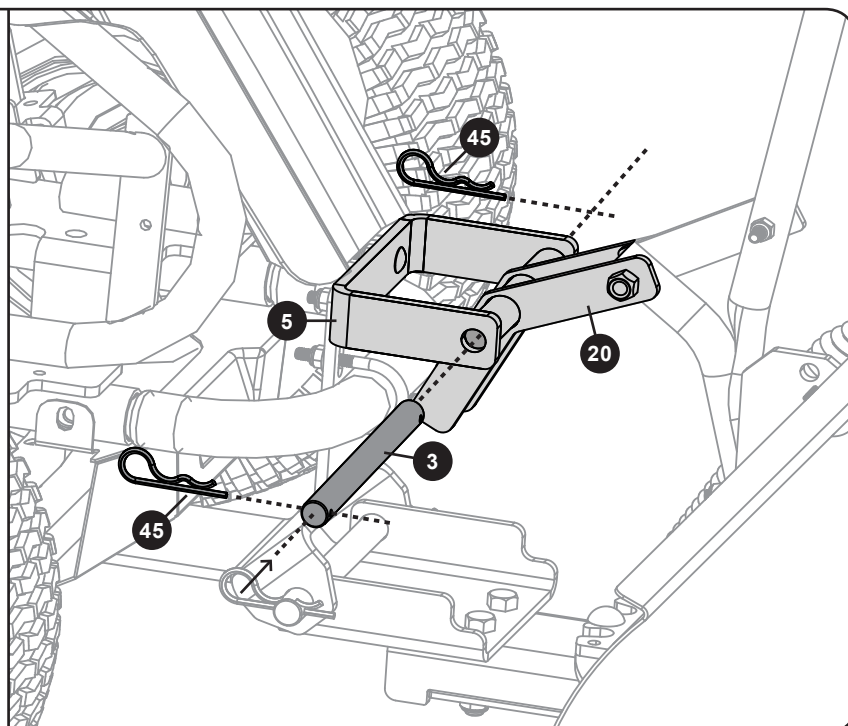
1. Orientez l'arrière de la lame vers le support que vous avez ajouté à votre tondeuse lors des étapes d'assemblage 1-2.
2. L'ensemble de poussée glissera facilement dans les languettes inférieures qui s'étendent au support de la tondeuse.
3. Après avoir aligné les deux jeux de trous de fixation, insérez la tige/goupille de la lame plaquée (1) et fixez-la avec deux goupilles fers (45), une à chaque extrémité du charnière.



## Étape D'Assemblage 17

### Montage de la Lame

4. Alignez l'assemblage soudé du pivot (20) avec le support de pivot (5) et insérez la goupille (3).
5. Fixez avec deux goupilles en épingle à cheveux (45).



\*\* La circonférence extérieure des rondelles peut varier. Ces dimensions sont une mesure du diamètre intérieur de la rondelle.

# UTILISATION

**⚠ MISE EN GARDE :** Gardez les pieds et les mains à l'écart de la lame lors de la montée et de la descente de la lame. Portez une attention particulière à votre entourage et aux personnes de votre voisinage immédiat à tout moment.

## Opération Étape 1

### Position de transport

1. Pour élever votre lame en position de transport, tirez la poignée supérieure vers l'opérateur. *Remarque : Assurez-vous que la poignée a été suffisamment tirée pour engager la fonction auto-bloquante.*

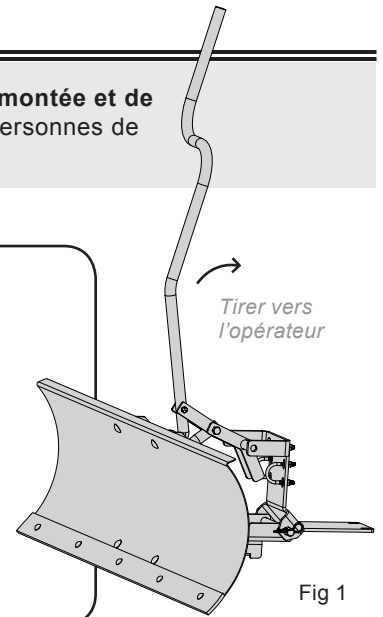


Fig 1

## Opération Étape 2

### Changer L'angle de la Lame

1. Tournez la clé de contact sur la position OFF et serrez le frein de stationnement, puis abaissez la lame au sol.
2. Retirez simplement l'épingle à cheveux située sous le bras de l'ensemble de poussée (voir fig. 2.1) et retirez la fosse de l'attelage (fig. 2.2).
3. Faites pivoter la lame à l'emplacement souhaité (fig. 2.3).
4. Remettez la goupille d'attelage en place et fixez la goupille à cheveux en dessous afin de verrouiller la lame.

Fig 2.1

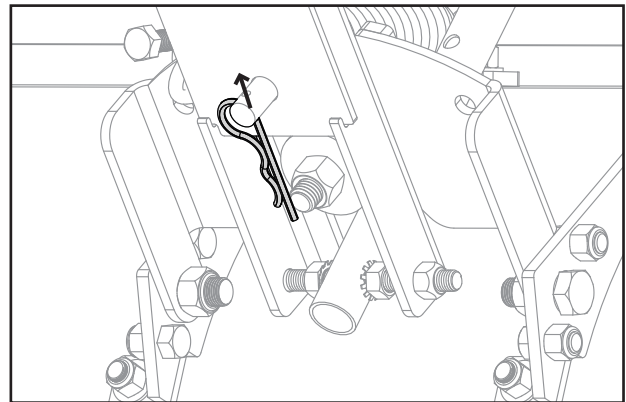


Fig 2.2

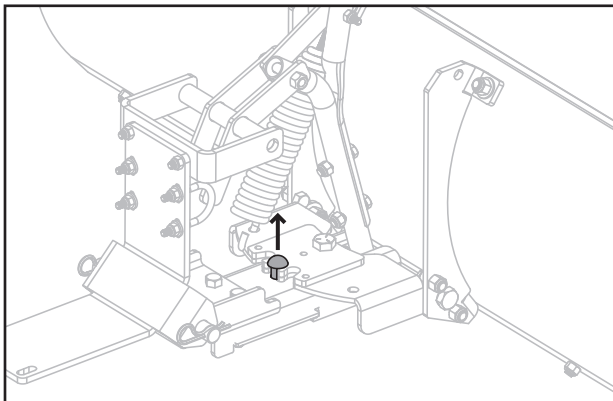
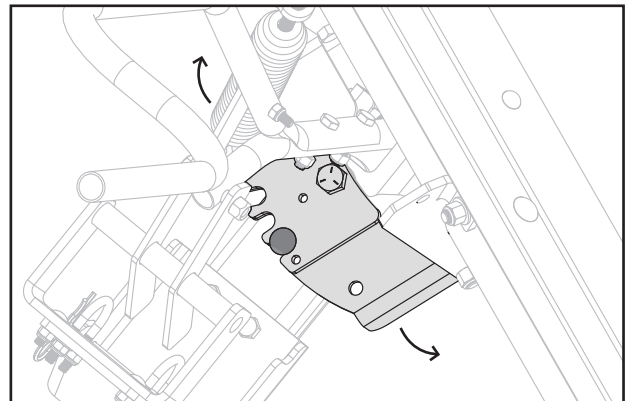


Fig 2.3



**⚠ REMARQUE :** Ne pas régler l'angle de la lame en position de transport.

# UTILISATION



**MISE EN GARDE :** Gardez les pieds et les mains à l'écart de la lame lors de la montée et de la descente de la lame. Portez une attention particulière à votre entourage et aux personnes de votre voisinage immédiat à tout moment.

## MISE EN GARDE

### 1. INSPECTER LA ZONE

Avant de faire fonctionner la lame à neige, inspectez soigneusement la zone à travailler. Évitez les bordures et autres obstructions lourdes.

### 2. CONNAÎTRE LE TERRAIN

Évitez les pentes ou les dénivellations exceptionnellement fortes qui peuvent être cachées par la neige, ne faites jamais glisser la lame dans des matériaux épais à grande vitesse.

### 3. ABAISSER LA LAME

Toujours abaisser la lame au sol avant de quitter la tondeuse

### 4. DÉMARRER LENTEMENT

Commencez toujours à basse vitesse et augmentez progressivement au besoin. Ne pas dépasser 5 mph. N'essayez pas de déplacer la neige dans la même direction, ce qui provoquerait une accumulation excessive de neige qui grossirait à chaque passage.

### 5. RELEVER LA LAME

Soulever la lame en marche arrière

### 6. DÉNEIGEMENT

La lame est conçue pour le déneigement uniquement



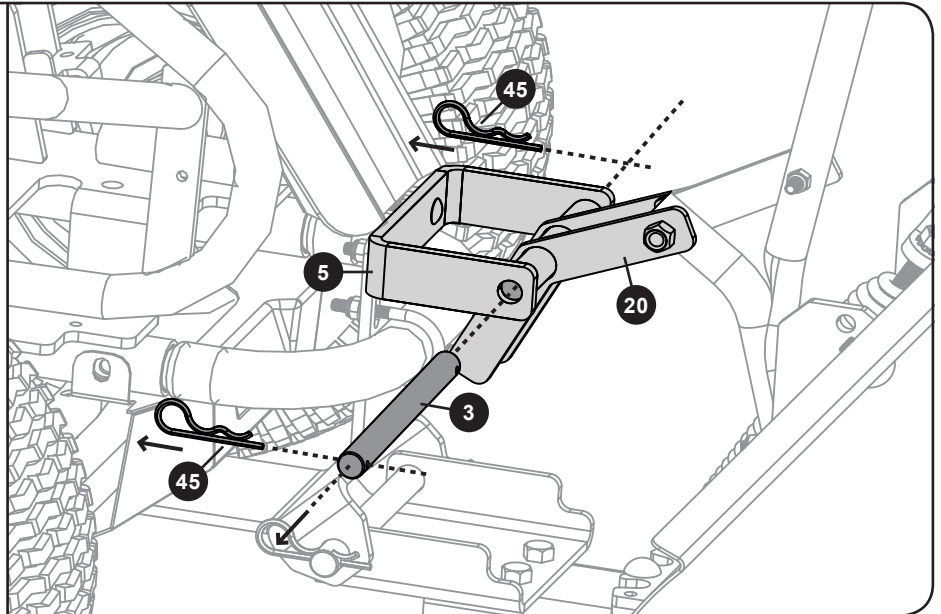
# STOCKAGE

**⚠ MISE EN GARDE :** Gardez les pieds et les mains à l'écart de la lame lors de la montée et de la descente de la lame. Portez une attention particulière à votre entourage et aux personnes de votre voisinage immédiat à tout moment.

## Étape de Stockage 1

### Retrait de la Lame

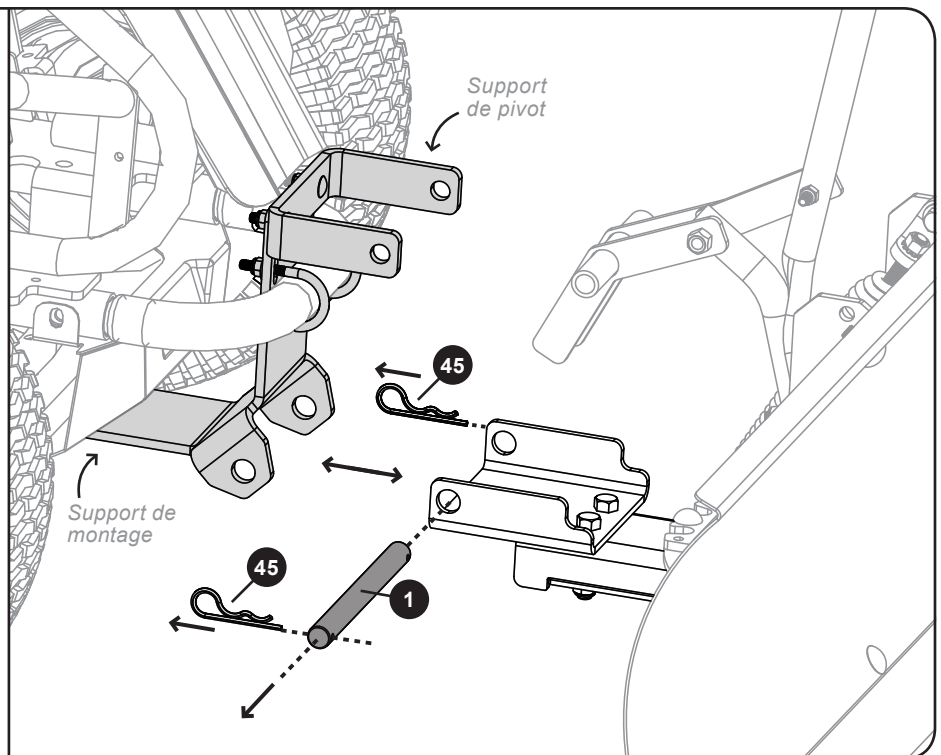
1. Tournez la clé de contact sur OFF, serrez le frein de stationnement, puis abaissez la lame au sol.
2. Retirez les deux tourillons en épingle à cheveux (45).
3. Retirez la goupille (3) de l'assemblage soudé du pivot (20) et du support de pivot (5).



## Étape de Stockage 2

### Retrait de la Lame

4. Mettez de côté les deux goupilles fendues (45) et retirez la tige/goupille de la plaque (1) charnière.
5. Le bras de poussée et le support de la tondeuse se sépareront facilement.
6. Laissez les supports de montage et de pivot fixés à la tondeuse.



# ENTRETIEN



**MISE EN GARDE :** Gardez les pieds et les mains à l'écart de la lame lors de la montée et de la descente de la lame. Portez une attention particulière à votre entourage et aux personnes de votre voisinage immédiat à tout moment.

## 1. PROPRE ET SEC

La clé de plusieurs années de service sans faille est de vous garder propre et au sec

## 2. PIÈCES MOBILES

Après les 30 premières minutes d'utilisation, vérifiez que toutes les fixations sont bien serrées. Par la suite, vérifiez périodiquement le serrage de toutes les fixations.

## 3. MOUVEMENT

Vérifiez que toutes les pièces mobiles se déplacent librement et lubrifiez-les au besoin avec de l'huile.

## 4. ACCUMULER

Éliminer périodiquement les débris accumulés

## 5. ROUILLE

Pour que la rouille apparaisse sur les surfaces peintes, poncez légèrement et émassez la zone affectée.

## 6. ROTATION

Une fois que la barre d'usure s'est considérablement usée, il convient de la faire pivoter (de bas en haut) pour créer un « nouveau » bord. Retirez les cinq boulons de carrosserie (5/16 po), faites pivoter la lame, puis réassemblez l'unité avec le « nouveau » bord à la surface.

---

**GARANTIE LIMITÉE DU FABRICANT  
POUR**



La garantie limitée énoncée ci-dessous est fournie par Brinly-Hardy Company et a trait à la marchandise neuve acquise et utilisée aux États-Unis et dans ses possessions et territoires.

Brinly Hardy Company garantit les produits répertoriés ci-dessous contre les vices de matériau et de fabrication, et réparera ou remplacera, à sa discrétion et sans frais, toute pièce présentant des vices de matériau ou de fabrication. Cette garantie limitée s'applique uniquement si le produit a été assemblé, utilisé et entretenu en conformité avec le manuel de l'opérateur fourni avec le produit, et s'il n'a pas fait l'objet d'un usage inadéquat, abusif, commercial ou négligent, d'un accident, d'entretiens inappropriés, d'une modification, de vandalisme, d'un vol, d'un incendie, de dégâts causés par l'eau ou d'un dommage résultant de tout autre péril ou désastre naturel.

Les pièces ou composantes d'usure courante ci-mentionnées sont assujetties aux modalités suivantes : toutes les défaillances des pièces ou composantes d'usure courante seront couvertes sur le produit pour une période de 90 jours.

Les pièces défaillantes pendant la période de la garantie seront remplacées à nos frais. Sous cette garantie, notre obligation est expressément limitée au remplacement ou à la réparation, à notre discrétion, de pièces présentant des vices de matériau et de fabrication.

**POUR DEMANDER UNE RÉPARATION :**

Le remplacement de pièces garanties est fourni **UNIQUEMENT AVEC PREUVE D'ACHAT** auprès de notre Service d'assistance à la clientèle. Composez le 877-728-8224.

Cette garantie limitée ne fournit pas de couverture dans les cas suivants :

- a) Articles d'entretien de routine, tels les lubrifiants et les filtres.
- b) Détérioration normale du fini extérieur due à l'utilisation ou à l'exposition aux éléments.
- c) Frais de transport et/ou de main-d'oeuvre.
- d) La garantie ne couvre pas l'utilisation commerciale ni l'utilisation pour la location du produit.

**Aucune garantie implicite, y compris toute garantie implicite de qualité marchande et d'adaptation à un usage particulier, ne s'applique après la période applicable de la garantie expresse écrite ci-dessus relativement aux pièces identifiées ci-dessous. Aucune autre garantie expresse, écrite ou verbale, à l'exception de celle mentionnée ci-dessus, consentie par toute personne ou toute entité, y compris un concessionnaire ou un détaillant, relativement à tout produit, ne viendra lier Brinly Hardy Co. Au cours de la période couverte par la garantie, la solution**

**exclusive est la réparation ou le remplacement du produit, comme énoncé plus haut.**

**Les clauses décrites dans la présente garantie sont les seuls recours exclusifs découlant de l'achat du produit. Brinly-Hardy Co. ne pourra être tenu responsable d'aucune perte ou dommage accessoire ou indirect, y compris, sans restriction, les frais encourus pour des services de soins de pelouse de remplacement ou substituts, ou pour les frais de location pour le remplacement temporaire d'un produit sous garantie.**

Certains États ou provinces ne permettent pas l'exclusion ou la restriction de dommages accessoires ou indirects, sur la durée de la garantie implicite, auquel cas, les exclusions ou restrictions pourraient ne pas s'appliquer.

Au cours de la période de garantie, le recours exclusif est le remplacement de la pièce. Aucune réparation ne pourra, quelles que soient les circonstances, dépasser le coût du prix d'achat du produit vendu. Toute altération des caractéristiques de sécurité de ce produit annulera cette garantie. Vous assumez le risque et la responsabilité en cas de toute perte et de tout dommage ou blessure subis par vous-même et votre propriété et/ou par d'autres et leur propriété à la suite d'une utilisation inadéquate de ce produit ou d'une incapacité à en faire usage.

Cette garantie limitée s'applique uniquement à l'acheteur original ou à la personne à laquelle ce produit a été offert.

---

**LOIS DES ÉTATS OU DES PROVINCES RELATIVES À LA PRÉSENTE GARANTIE :** La présente garantie limitée vous accorde des droits légaux spécifiques et vous pourriez avoir d'autres droits qui varient d'un État ou d'une province à l'autre.

**IMPORTANT :** La période de garantie énoncée ci-dessous débute à la date de la PREUVE D'ACHAT. Sans la preuve d'achat, la période de garantie débute à la date de fabrication déterminée par la date de fabrication du numéro de série.

**PÉRIODE DE GARANTIE :** La période de garantie pour le produit indiqué dans ce manuel est comme suit : Pièces du cadre en acier : 2 ans. Les pneus, les roues et l'entraînement sont des pièces sujettes à une usure normale : 90 jours.



SINCE 1839

**BRINLY**

SINCE 1839

**BRINLY**

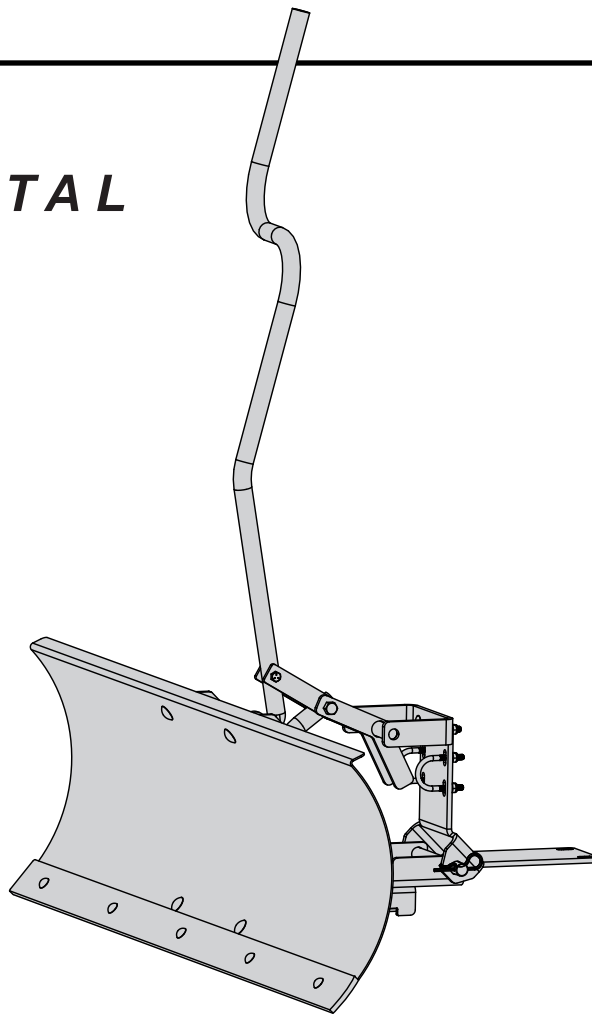
# MANUAL DEL PROPIETARIO

## **CUCHILLA DE MONTAJE FRONTAL**

MODELO:

**FB-42RY**

- Montaje
- Instalación
- Operación
- Piezas de Repuesto



¡Visítenos en la web!  
[www.brinly.com](http://www.brinly.com)

Importante: Este manual contiene información para la seguridad de las personas y de la propiedad. ¡Léalas atentamente antes del montaje y la operación del equipo!

# INTRODUCCIÓN

¡FELICITACIONES por la compra de su nuevo cuchilla de montaje frontal Brinly-Hardy! Su esparcidor ha sido diseñado, ideado y fabricado para brindarle la mejor confiabilidad y desempeño posibles.



## RESPONSABILIDADES DEL CLIENTE

- Lea y conserve este manual. Las instrucciones le permitirán ensamblar y mantener el esparcidor de césped en forma adecuada.
- Lea atentamente y siga las indicaciones de la sección SEGURIDAD de este manual.
- Siga un programa regular de mantenimiento y cuidado de su cuchilla de montaje frontal Brinly-Hardy.

## ÍNDICE

SEGURIDAD.....	2-3
LISTA DE PIEZAS Y REFERENCIA.....	4-5
MONTAJE.....	7-15
OPERACIÓN.....	16-17
ALMACENAMIENTO.....	18
MANTENIMIENTO.....	19
GARANTÍA LIMITADA.....	20

## REGISTRO DE INFORMACIÓN DE COMPRA

Registre la información de su compra en los espacios que se indican a continuación:

FECHA DE COMPRA: \_\_\_\_\_

NOMBRE DE LA COMPAÑÍA: \_\_\_\_\_

TELÉFONO DE LA COMPAÑÍA: \_\_\_\_\_

NÚMERO DE SERIE: \_\_\_\_\_

# SEGURIDAD



Este símbolo contribuirá a señalar las precauciones de seguridad importantes que aparecen en todo este manual. Significa: **¡ATENCIÓN! ¡MANTÉNGASE ALERTA! Su seguridad está en juego.**

## ETIQUETAS DE SEGURIDAD Y ANOTACIONES

Las etiquetas de seguridad que se muestran en esta sección están ubicadas en áreas importantes de su producto para llamar la atención sobre riesgos potenciales de seguridad.

En las etiquetas de seguridad del producto, las palabras **PELIGRO**, **ADVERTENCIA** y **PRECAUCIÓN** se usan con el símbolo de alerta de seguridad. **PELIGRO** identifica los riesgos de seguridad más graves.

Siempre que sea necesario, el manual del operador explica también todo riesgo potencial de seguridad a través de mensajes especiales de seguridad identificados con la palabra **PRECAUCIÓN** y con el símbolo de alerta de seguridad.



**PRECAUCIÓN:** Mantenga los pies y las manos fuera del alcance de la cuchilla mientras la eleva y la baja. Preste mucha atención a su entorno y a la gente en su área cercana en todo momento.

# SEGURIDAD



## NOTAS GENERALES (OPERACIÓN)

Debe tener cuidado al utilizar cualquier accesorio. Este accesorio combinado con la distribución del peso, el radio de giro y la velocidad del vehículo puede ocasionar lesiones graves o la muerte del operador, daños al vehículo o al accesorio si no se utiliza correctamente. Siga todas las precauciones de seguridad que se encuentran en el manual del propietario del vehículo, incluyendo las siguientes precauciones:

- Solo use este producto en el modo de remolque o en la configuración de velocidad del vehículo o a menos de 5 mph. No exceda las 5 mph.
- La velocidad de operación debe ser siempre lo suficientemente lenta como para mantener el control. Viaje lentamente y sea cuidadoso al desplazarse por terreno agreste. Esquive los agujeros, las rocas y las raíces.
- Disminuya la velocidad antes de girar y no haga giros cerrados.
- Sea cuidadoso al girar. El vehículo tiene un mayor giro en la cola con accesorios.
- No utilice el accesorio en pendientes pronunciadas. Una carga pesada podría causar la pérdida de control o el vuelco del accesorio y del vehículo.
- Realice movimientos lentos y graduales sobre las pendientes. No realice cambios bruscos en la velocidad, las direcciones o los giros.
- Si arranca y se detiene bruscamente en las colinas, puede perder el control de la dirección o el vehículo puede inclinarse.
- No arranque ni se detenga bruscamente cuando ascienda o descienda en una colina. Evite arrancar en la subida de una colina.
- Reduzca la velocidad y tenga más cuidado en las laderas. Las condiciones del césped pueden afectar la estabilidad del vehículo.
- Tenga extremo cuidado al usar la máquina cerca de las bajadas.
- No maneje cerca de arroyos, zanjas y autopistas.
- Cuídese del tránsito al cruzar carreteras.
- Tenga cuidado al subir o bajar el vehículo en un remolque o camión.
- Cuando utilice la reversa, retroceda cuidadosamente y en línea recta.
- Deténgase en suelo nivelado, desenganche los impulsores, active el freno de mano, y apague el motor antes de abandonar la posición del operario por cualquier motivo incluido vaciar el accesorio.
- Use este accesorio solo para el fin pretendido.
- Siempre use calzado antideslizante adecuado. No use prendas de vestir holgadas, recójase el cabello largo y no lleve joyas.
- Mantenga la vista y la concentración en el vehículo, el accesorio y el área de trabajo. No se distraiga con otras cosas.
- Preste atención a los orificios y demás peligros ocultos en el terreno.
- Mantenga el vehículo y el acoplamiento en buenas condiciones de funcionamiento y mantenga en su sitio los dispositivos de seguridad.
- En caso de golpear contra un objeto extraño, detenga el vehículo y el acoplamiento e inspecciónelos para comprobar que no estén dañados. Todo daño debe ser reparado antes de volver a poner en

marcha y hacer funcionar el equipo.

- Mantenga todas las piezas en buenas condiciones e instaladas apropiadamente. Repare las partes dañadas inmediatamente. Reemplace todas las piezas desgastadas o rotas.
- Reemplace todas las calcomanías de seguridad y con instrucciones desgastadas o dañadas. Mantenga ajustadas todas las tuercas, pernos y tornillos.
- No modifique el accesorio ni los dispositivos de seguridad. Las modificaciones no autorizadas del vehículo o del accesorio pueden afectar su función y seguridad e invalidan la garantía.

## EL VEHÍCULO Y SU SEGURIDAD

- Conozca los controles del vehículo y aprenda a detenerse de manera segura. LEA EL MANUAL DEL PROPIETARIO DEL VEHÍCULO antes de operarlo.
- Revise los frenos del vehículo antes de operarlo. Ajuste o realice el mantenimiento de los frenos cuando sea necesario.
- La distancia necesaria para detenerse aumenta con la velocidad y el peso de la carga. Desplácese lentamente y calcule el tiempo y la distancia que necesita para detenerse.
- No avance cuesta abajo en punto muerto.
- No permita que los adultos operen el vehículo si no han recibido instrucciones adecuadas o si no han leído el manual del propietario.
- No permita que los niños operen el vehículo.

## PROTEJA A QUIENES LO RODEAN

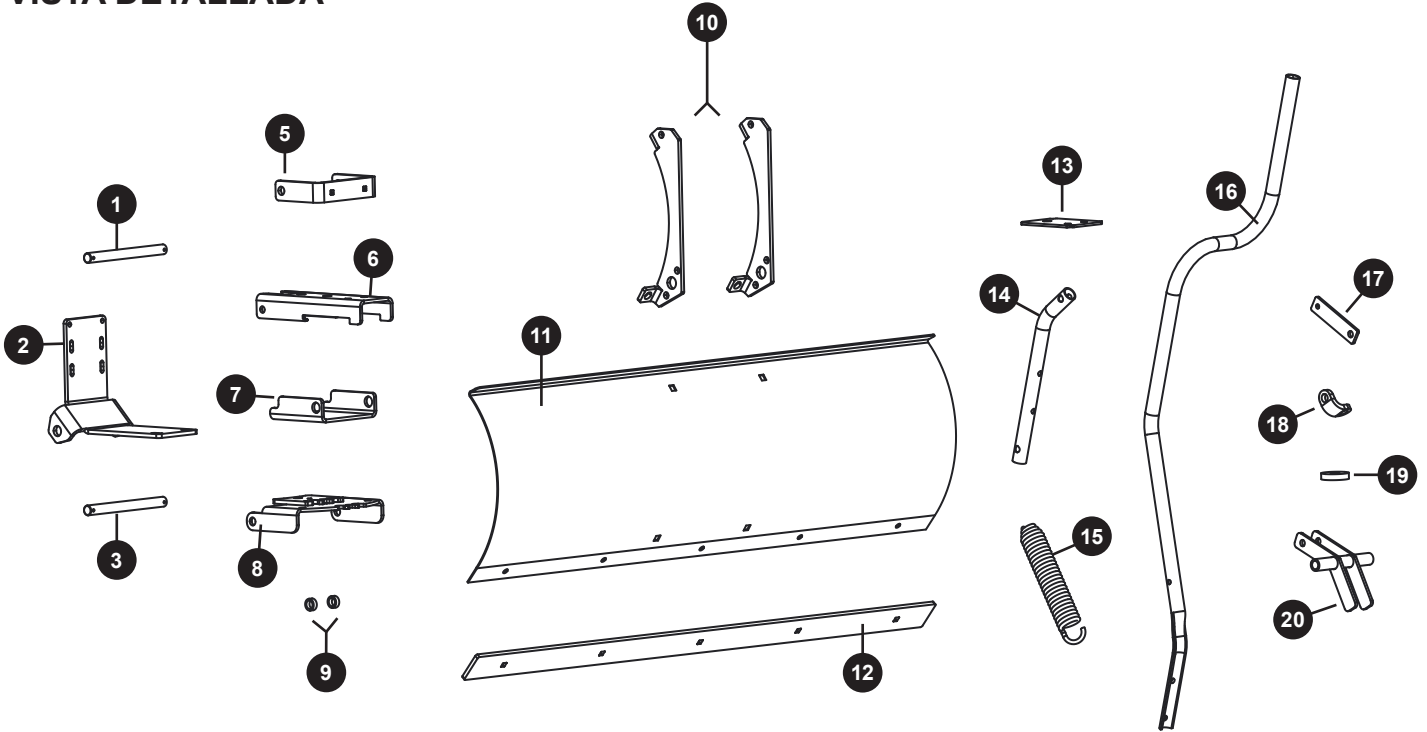
- Antes de poner en funcionamiento cualquier función de este accesorio o vehículo, observe si en las cercanías hay transeúntes.
- Mantenga a niños, transeúntes y mascotas alejados a una distancia segura, mientras opera este o cualquier otro accesorio.
- Tenga cuidado al dar marcha atrás. Antes de retroceder, verifique que no haya transeúntes atrás.

## NO PERMITA QUE NADIE SE SUBA AL VEHÍCULO NI AL ACCESORIO

- No transporte pasajeros.
- No permita que nadie, especialmente los niños, se suba a este accesorio, al vehículo ni a la ménsula de montaje.
- Las personas que suban pueden sufrir heridas, que pueden ser ocasionadas al ser golpeados por objetos extraños o ser despedidos durante arranques, paradas y giros bruscos.
- Asimismo, pueden obstaculizar la visión del operador, lo que impediría el manejo seguro de este accesorio.

# LISTA DE PIEZAS Y REFERENCIA

## VISTA DETALLADA



REF	NRO. DE PARTE	DESCRIPCIÓN	CANT.	REF	NRO. DE PARTE	DESCRIPCIÓN	CANT.
1	1017741-01	Varilla, bisagra chapada	1	11	1018347	Cuchilla, 42"	1
2	1017835-10	Montaje pintado, frontal	1	12	1018118-10	Barra de desgaste, 42" pintada	1
3	1018092-01	Varilla, de transporte chapada	1	13	1018119-10	Placa pintada, parte Inferior	1
4	1018104	Bolsa de herrajes *	1	14	1018120-10	Tubo pintado, elevación	1
	1018352	Bolsa de piezas *	1	15	1018121	Resorte de activación	1
5	1018105-10	Soporte pintado, pivote	1	16	1018122-10	Tubo pintado, mango	1
6	1018109-10	Soporte pintado, PV inferior	1	17	1018123-10	Placa pintada, mango	1
7	1018110-10	Pintado, pivote de soporte ascendente	1	18	B-7215-10	Soporte de resorte	1
8	1018111-10	Pintada, soldadura de bisagra	1	19	B-723P-01	Arandela gruesa, 3/8"	1
9	1018115-01	Tubo, pivote chapado	2	20	1018106-10	Soldadura de levas pintada	1
10	1018116-10	Costillas, Pintadas	2				

\*No mostrado

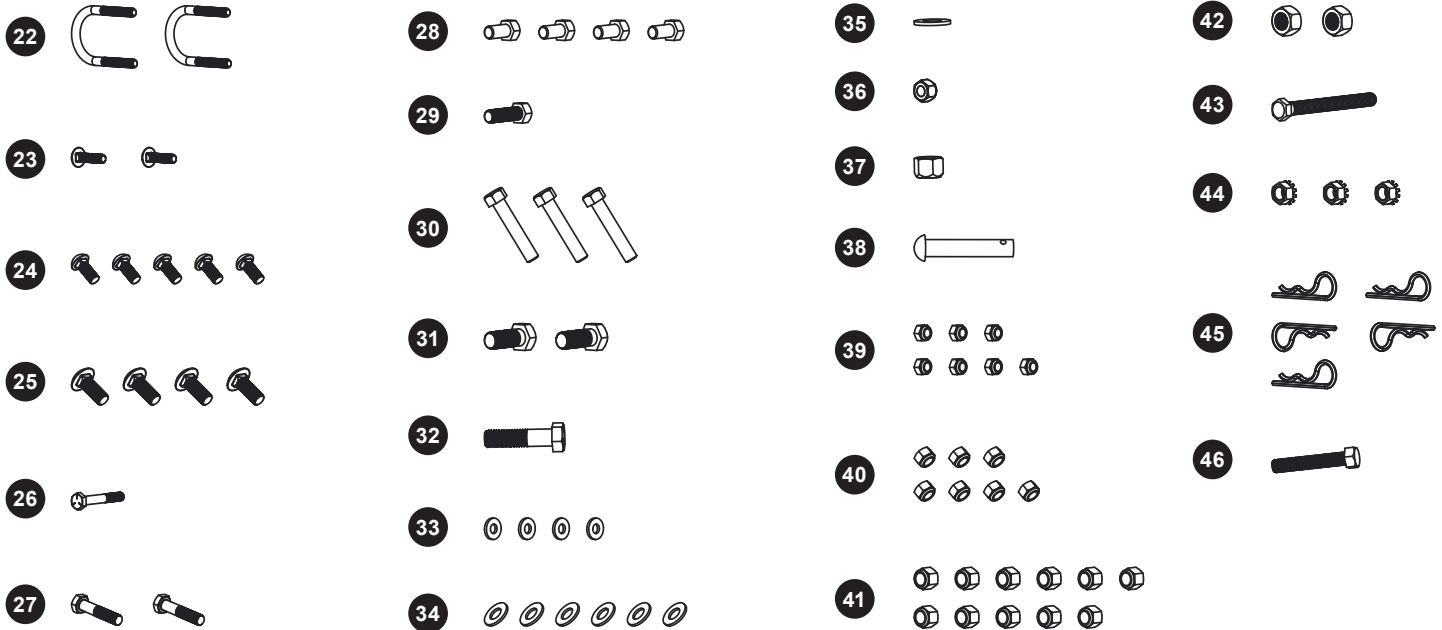


### Herramientas necesarias para el montaje:

- 3/4" Llave y Tubular
- 9/16" Llave y Tubular
- 1/2" Llave y Tubular
- 7/16" Llave y Tubular
- 12 mm Tubular
- Llave de Trinquete
- Pinzas
- Guantes

# LISTA DE PIEZAS Y REFERENCIA

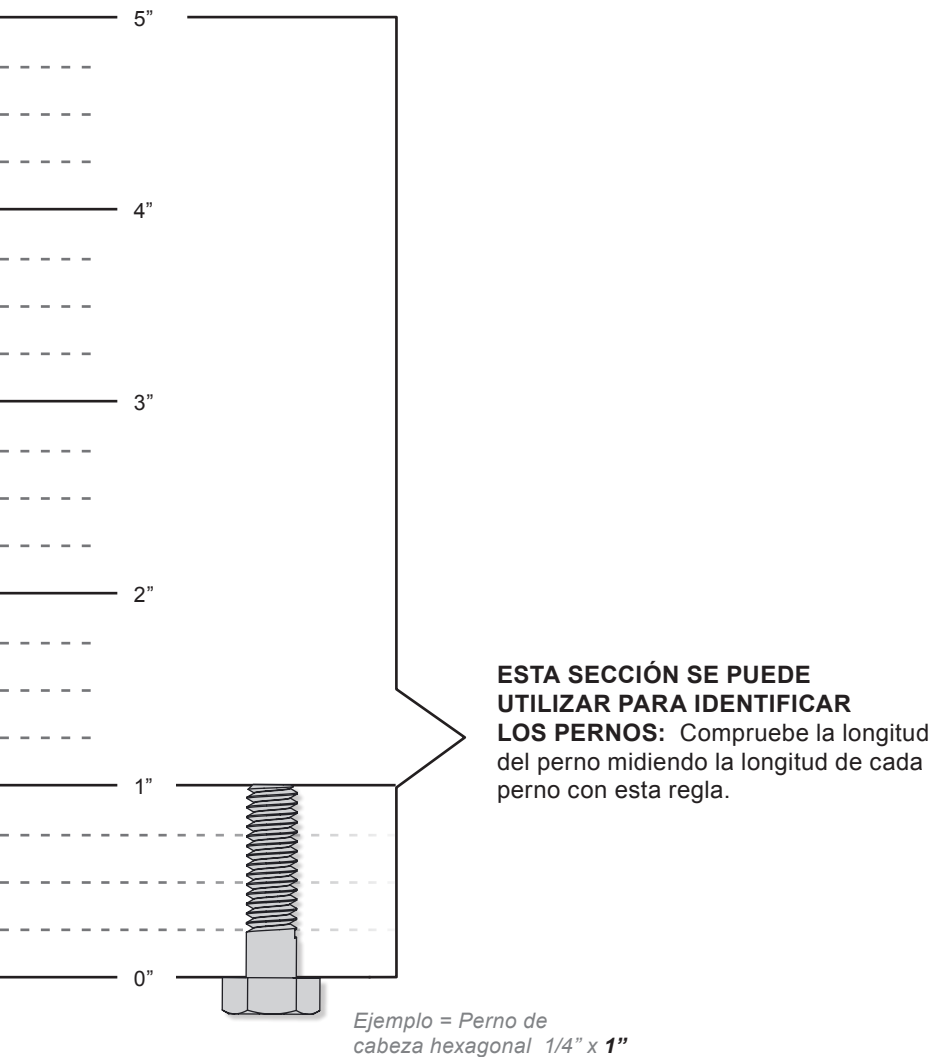
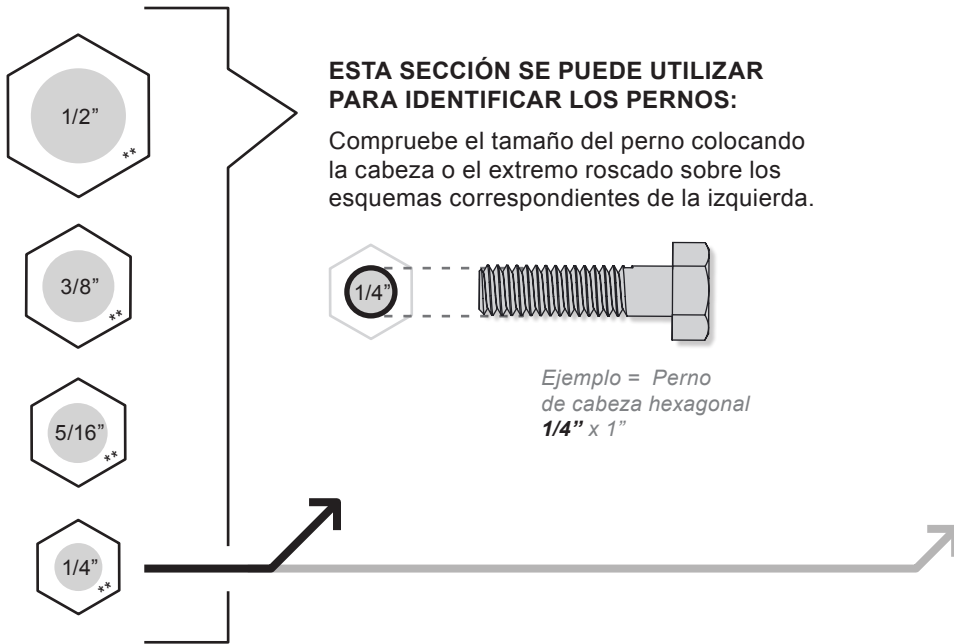
## VISTA DETALLADA - BOLSA DE HERRAJES



REF	NRO. DE PARTE	DESCRIPCIÓN	CANT.	REF	NRO. DE PARTE	DESCRIPCIÓN	CANT.
21	1000225	Agarre del mango *	1	35	45M1717P	Arandela, Plano 1/2"	1
22	1017742	Perno en U	2	36	B-1675P	Tuerca, bloqueo hexagonal 3/8"-16	2
23	11M0816P	Perno, de cabeza redonda 1/4" x 1"	2	37	B-1677P	Tuerca, bloqueo hexagonal 1/2"-13	1
24	11M1012P	Perno, de cabeza redonda 5/16 x 3/4	5	38	B-3861	Enganche, del pasador 1/2" X 2-1/2"	1
25	11M1216P	Perno, de cabeza redonda 3/8 x 1	4	39	B-4785	Tuerca, bloqueo de nylon 1/4-20	7
26	2M0828P	Perno, cabeza hexagonal 1/4 x 1-3/4	1	40	B-4786	Tuerca, bloqueo de nylon 5/16-18	7
27	2M1024P	Perno, cabeza hexagonal 5/16 x 1-1/2	2	41	B-4820	Tuerca, bloqueo de nylon 3/8"-16	11
28	2M1212P	Perno, cabeza hexagonal 3/8 x 3/4	4	42	B-5096Y	Tuerca, bloqueo de nylon 1/2"-13	2
29	2M1220P	Perno, cabeza hexagonal 3/8 x 1-1/4	1	43	B-6298	Perno, cabeza hexagonal 3/8 x 3-3/4	1
30	2M1232P	Perno, cabeza hexagonal 3/8 x 2	3	44	B-6299	Tuerca, hexagonal con rondana estrella integrada 3/8-16	3
31	2M1620P	Perno, cabeza hexagonal 1/2 x 1-1/4	2	45	D-146P	Clavija de horquilla 1/8", #211	5
32	2M1632P	Perno, cabeza hexagonal 1/2 x 2	1	46	B-7291	Perno 3/8 x 2-1/2	1
33	45M0909P	Arandela, SAE Plano 1/4"	4				
34	45M1313P	Arandela, SAE Plano 3/8	6				


\*No mostrado

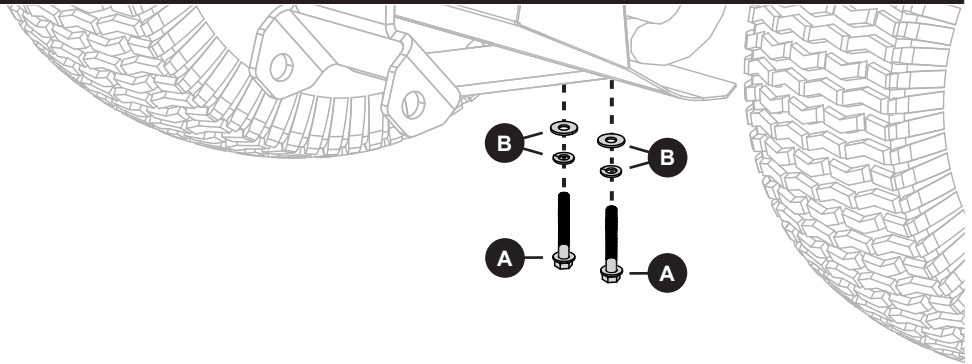
Cada página del montaje tiene una guía para ayudar con la identificación de los herrajes.



# MONTAJE

Para el primer paso, tendrá que retirar los herrajes de la parte delantera de su cortadora.

 Llave de 12mm




## Paso 1 del Montaje

Desatornille los dos pernos de la placa de deslizamiento (A) y los dos juegos de arandelas (B).

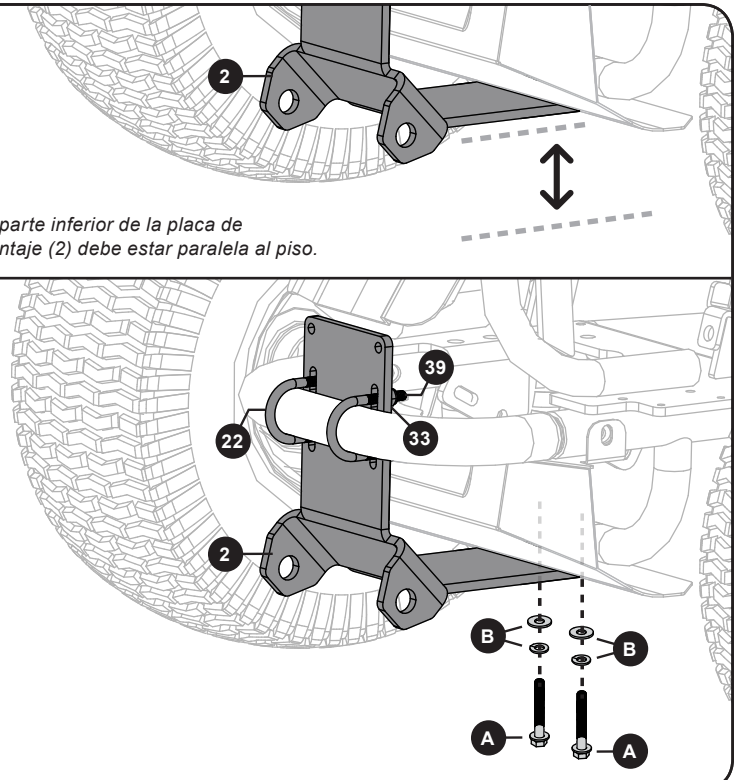
1. Comience a fijar sin apretar la placa de montaje (2) a su cortadora reutilizando los herrajes retirados (A y B), así como los pernos en U que se encuentran en la bolsa de herrajes:

- x 2 Pernos en U (22)
- x 4 Arandelas (33) – 1/4"
- x 4 Tuercas de bloqueo (39) – 1/4"

 Llave de 7/16"

2. Alinear la parte inferior de la placa de montaje (2) paralela al piso y asegurarse de que la parte frontal de la placa de montaje esté en contacto con el borde interior del tubo de tope. *Apretete todos los herrajes.*


La parte inferior de la placa de montaje (2) debe estar paralela al piso.

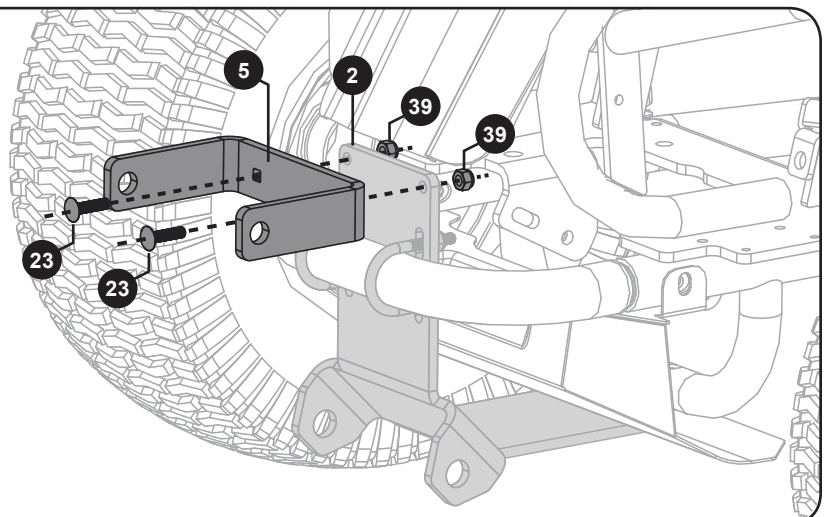


## Paso 2 del Montaje

3. Sujete el soporte del pivote (5) a la placa de montaje (2) utilizando:

- x 2 Tornillos de cabeza redonda (23) – 1/4" x 1"
- x 2 Tuercas de bloqueo (39) – 1/4"

 Llave de 7/16"



# MONTAJE

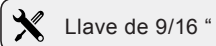
## Paso 3 del Montaje

### Montaje de Cuchilla

1. Fije las costillas (10) a la cuchilla (11) utilizando:

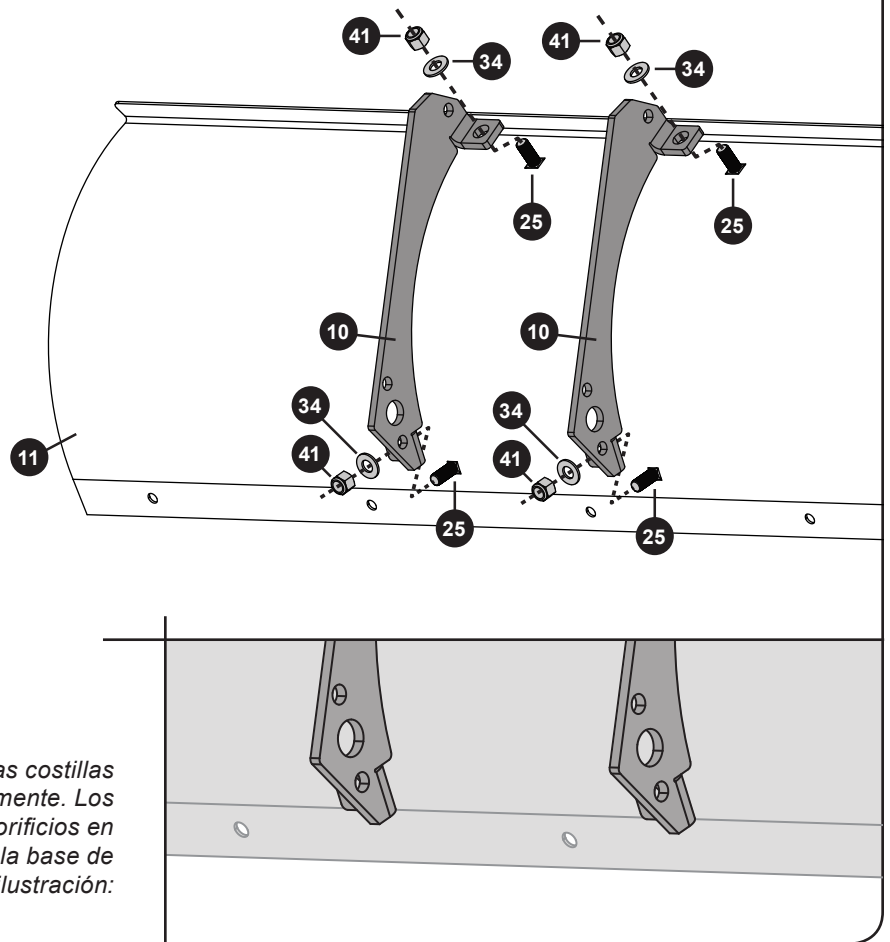
- x 4 Tornillos de cabeza redonda (25) – 3/8" x 1"
- x 4 Arandelas (34) – 3/8"
- x 4 Tuercas de bloqueo (41) – 3/8"

*Nota: No apriete completamente (de momento), es posible que estas costillas se deban girar ligeramente durante el paso de montaje 11.*



Llave de 9/16"

*Nota: Compruebe que las costillas (10) estén alineadas correctamente. Los extremos con tres pequeños orificios en la costilla necesitan estar en la base de la cuchilla. Ver ilustración:*

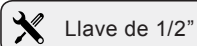


## Paso 4 del Montaje

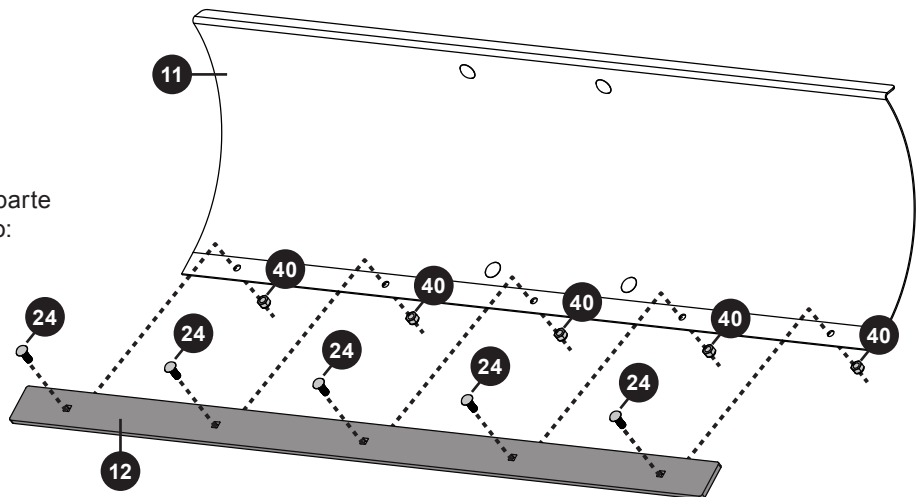
### Montaje de Cuchilla

2. Fije la barra de desgaste (12) a la parte inferior de la cuchilla (11) utilizando:

- x 5 Tornillos de cabeza redonda (24) – 5/16" x 3/4"
- x 5 Tuercas de bloqueo (40) – 5/16"



Llave de 1/2"





# MONTAJE

## Paso 5 del Montaje

### Montaje de Cuchilla

3. Instale los pernos y tuercas de tope a las costillas de la cuchilla (10) utilizando:

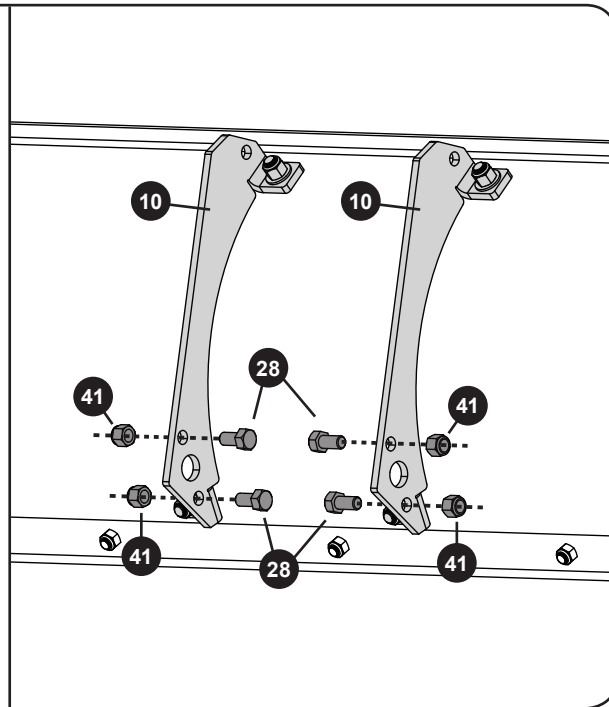
- x 4 Pernos de cabeza hexagonal (28) – 3/8" x 3/4"
- x 4 Tuercas de bloqueo (41) \* – 3/8"

*\*Nota: Las tuercas necesitan estar en los bordes exteriores de las costillas de la cuchilla.*



Llave tubular de 9/16"

4. Deje la cuchilla a un lado.



5"

4"

3"

2"

1"

0"

## Paso 6 del Montaje

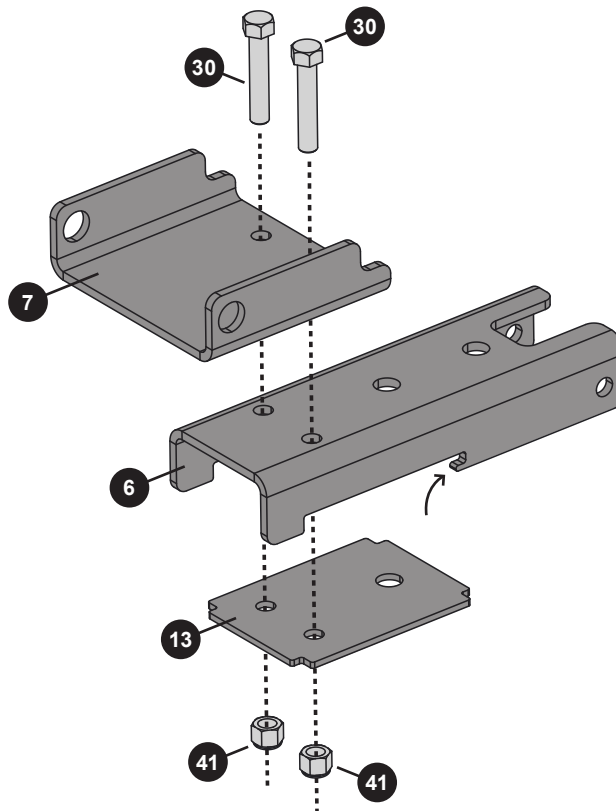
### Montaje del Brazo de Empuje

1. Sujete el soporte de empuje superior (7) al soporte de empuje inferior (6) y a la placa de la base (13) utilizando:

- x 2 Pernos de cabeza hexagonal (30) – 3/8" x 2"
- x 2 Tuercas de bloqueo de nylon (41) – 3/8"

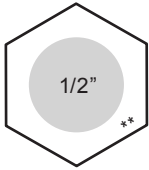


Llave tubular de 9/16"



\*\* La circunferencia exterior de las arandelas puede variar. Estas dimensiones son una métrica del diámetro interno de la arandela.

# MONTAJE



5"

4"

3"

2"

1"

0"


## Paso 7 del Montaje

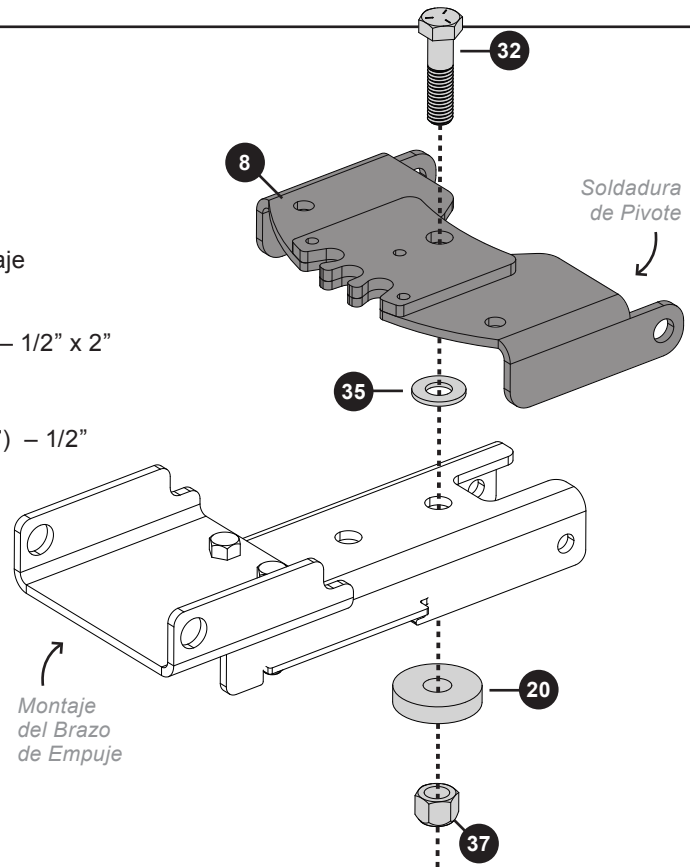
### Montaje del Brazo de Empuje

2. Fije la soldadura del pivote (8) al montaje del brazo de empuje utilizando:

- x 1 Perno de cabeza hexagonal (32) – 1/2" x 2"
- x 1 Arandela, plana (35) – 1/2"
- x 1 Arandela, gruesa (19)
- x 1 Tuerca de bloqueo, hexagonal (37) – 1/2"

*NOTA: No apriete demasiado, los dos soportes deben poder moverse libremente el uno del otro, pero no tan libres que haya juego en la unión.*

 Llave tubular de 3/4"




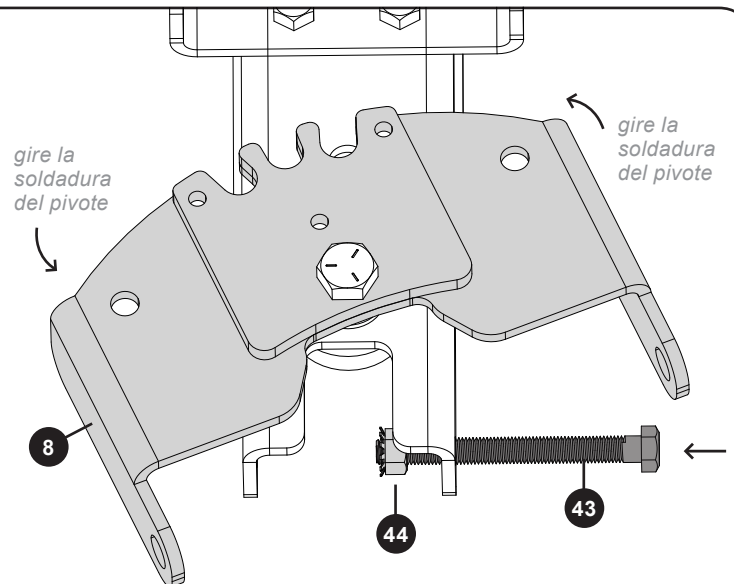
## Paso 8-A del Montaje

### Adición del Mango

1. Gire la soldadura del pivote (8)
2. Comience a introducir el perno de cabeza hexagonal, rosca completa de 3/8" x 3 3/4" (43) a través del primer orificio del montaje del brazo de empuje y coloque:

- x 1 Tuerca hexagonal (44) – 3/8"

 Llave tubular de 9/16"



*Los dientes externos deben estar orientados en el sentido contrario a la cabeza del perno.*




# MONTAJE

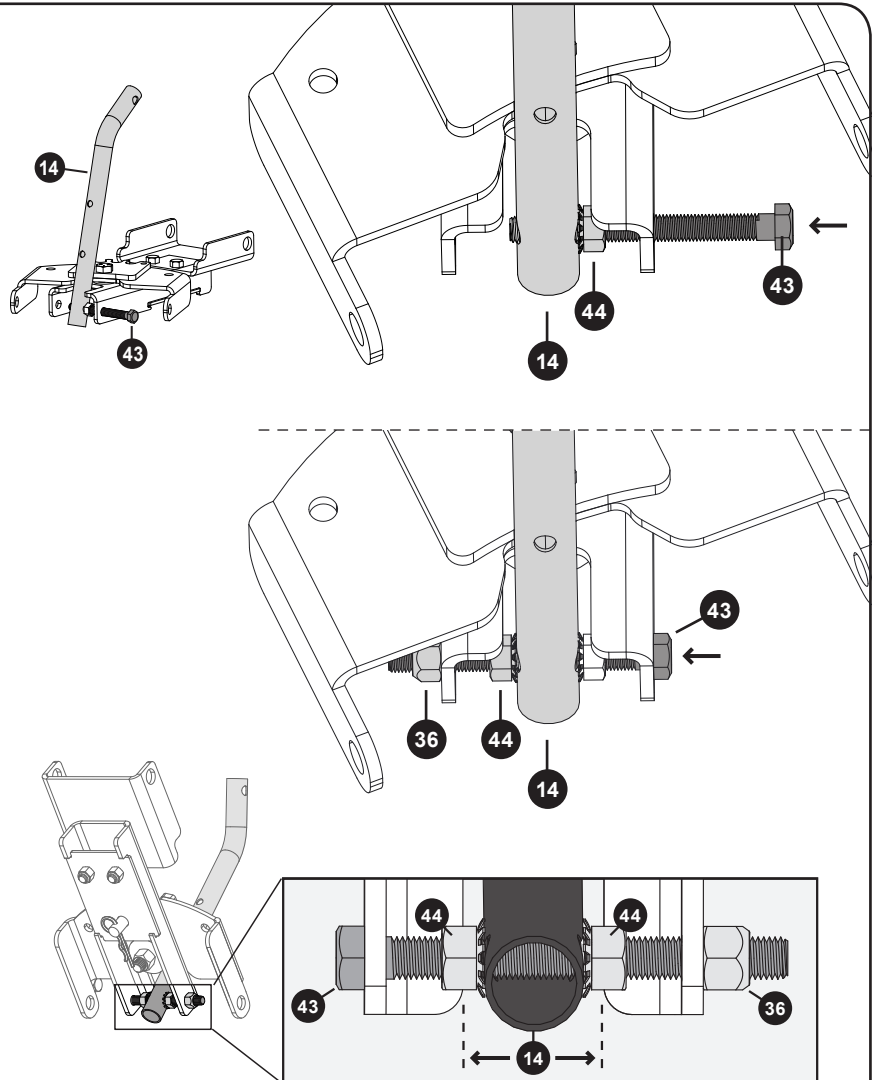
## Paso 8-B del Montaje

### Adición del Mango

3. Alinear el mango del tubo inferior (14) como se muestra aquí y continuar deslizando el tornillo de cabeza hexagonal (43) a través de la base del tubo.
4. Después de que el perno (43) se extienda a través del tubo, agregue:
  - x 1 Tuerca hexagonal (44) - 3/8"
  - Dientes externos orientados hacia el mango del tubo inferior (14).*
5. Continúe introduciendo el perno (43) a través del montaje del brazo de empuje. Sujete en su lugar utilizando:
  - x 1 Tuerca de bloqueo (36) - 3/8"

 Llave tubular de 9/16"

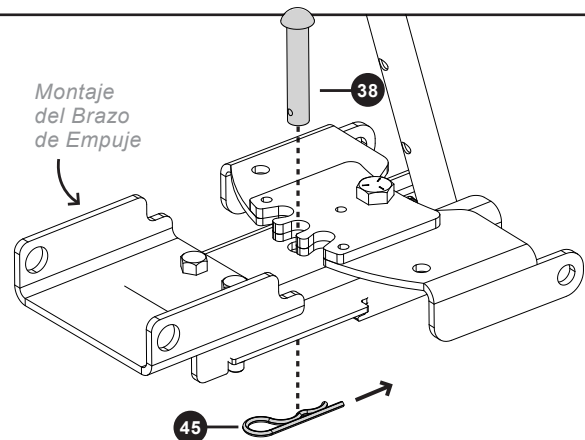
6. Use las dos tuercas hexagonales (44) en el centro y fije en su lugar el tubo inferior del mango (14) dentro de la apertura del montaje del brazo de empuje.  
*(Ver detalles a la derecha).*



## Paso 9 del Montaje

### Adición del Mango

7. Coloque el pasador del enganche (38) en el orificio central del brazo de empuje y fijelo con una horquilla (45).

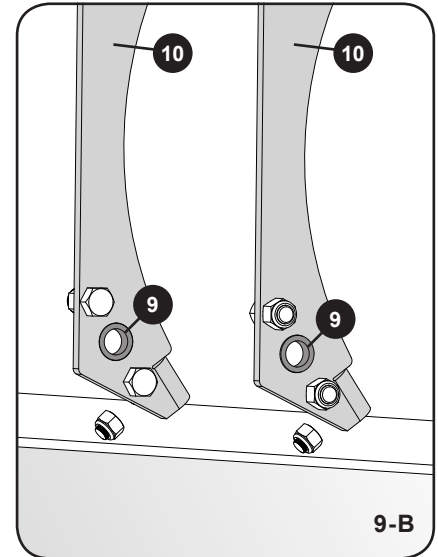
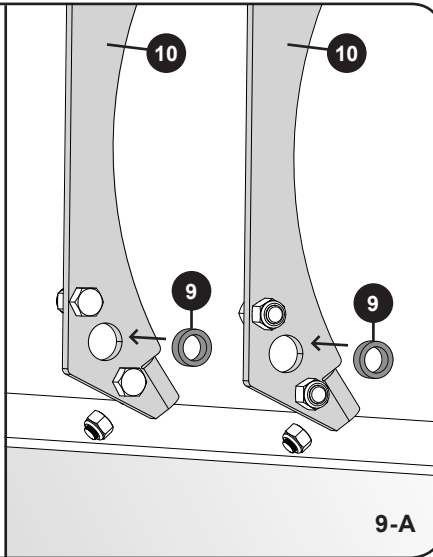


# MONTAJE

## Paso 10 del Montaje

### Unión del Brazo de Empuje a la Cuchilla

1. Inserte el separador / tubo pivotante (9) en los orificios grandes en la parte inferior de las costillas (10) en la parte posterior de la cuchilla.



## Paso 11 del Montaje

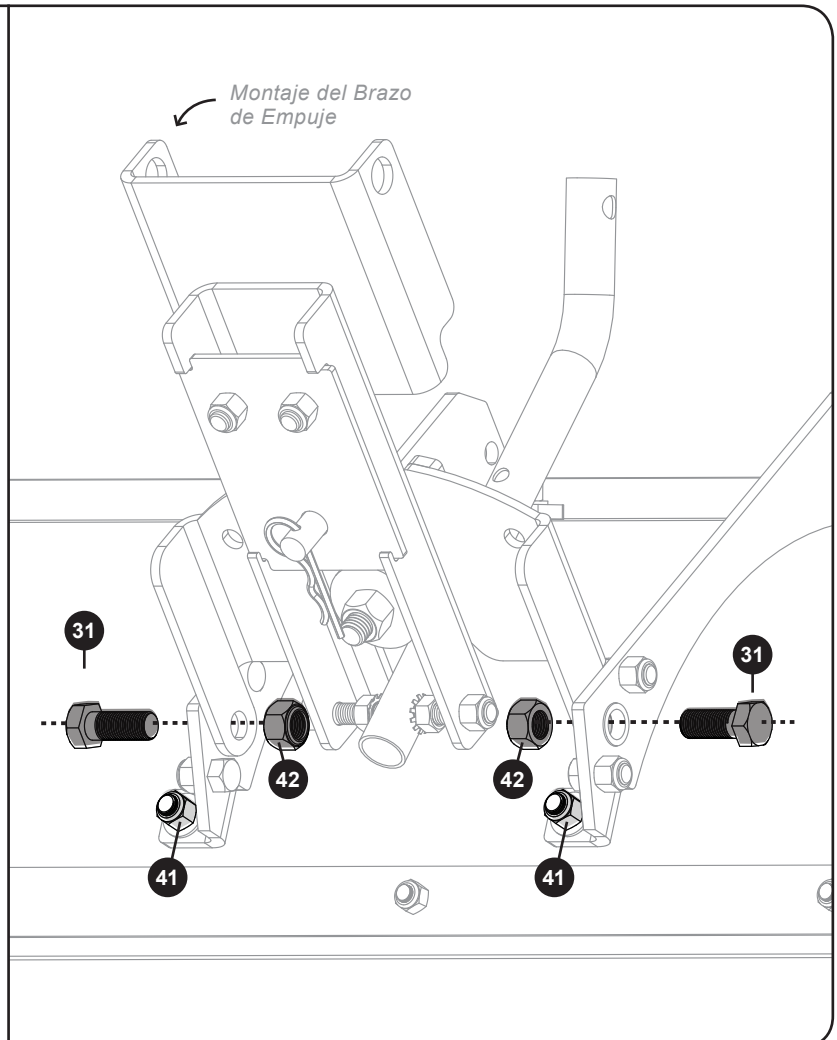
### Unión del Brazo de Empuje a la Cuchilla

2. Deslice el montaje del brazo de empuje entre las costillas y ajústelo a los tubos pivotantes que se insertaron en el Paso 9. Sujete utilizando:
  - x 2 Pernos de cabeza hexagonal (31) – 1/2" x 1 1/4"
  - x 2 Tuercas de bloqueo de nylon (42) – 1/2"



Llave tubular de 3/4"

3. Apriete completamente las costillas a la cuchilla. (41).





# MONTAJE

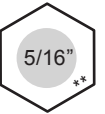
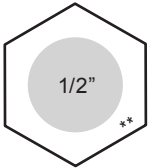
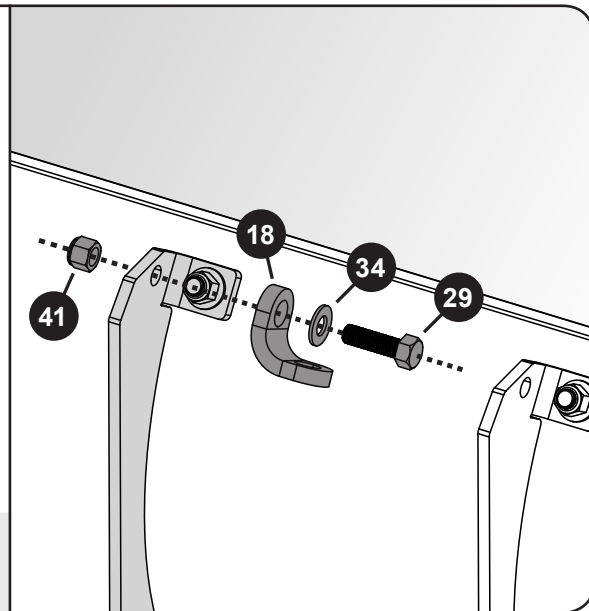
## Paso 12 del Montaje

### Unión del Brazo de Empuje a la Cuchilla

- Sujete el resorte de la abrazadera de activación (18) utilizando:
  - x 1 Perno de cabeza hexagonal (29) – 3/8" x 1 1/4"
  - x 1 Arandela, plana (34) – 3/8"
  - x 1 Tuerca de bloqueo (41) – 3/8"

 Llave tubular de 9/16"

 **NO** apriete completamente (de momento).

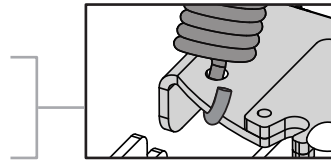


## Paso 13 del Montaje

### Unión del Brazo de Empuje a la Cuchilla


- Monte el resorte de activación presionando el perno roscado completo de 3/8" x 2 1/2" (46) y la arandela de 3/8" (34) de forma que la cabeza del perno quede atrapada en el interior del resorte (15).

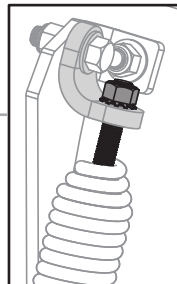
- Inserte el extremo opuesto del resorte (15) a través de la soldadura del pivote (8).



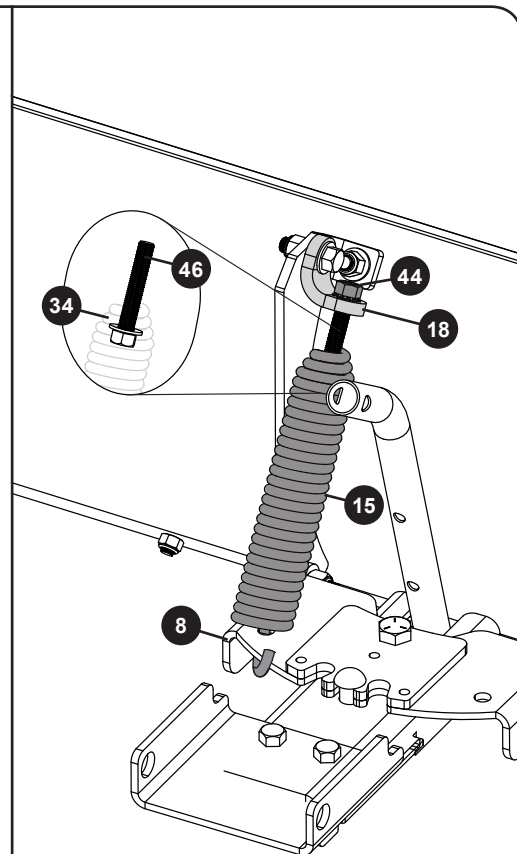
- Inserte el perno a través de la abrazadera de activación (18) que se colocó en el paso de montaje 12.

*Sujete y apriete la tuerca dentada de 3/8" (44) hasta que el resorte toque el soporte.*

 Llave tubular de 9/16"



- Apriete la tuerca y el perno que fueron agregados en el paso 12 del Montaje.



5"

4"

3"

2"

1"

0"




\*\* La circunferencia exterior de las arandelas puede variar. Estas dimensiones son una métrica del diámetro interno de la arandela.

# MONTAJE

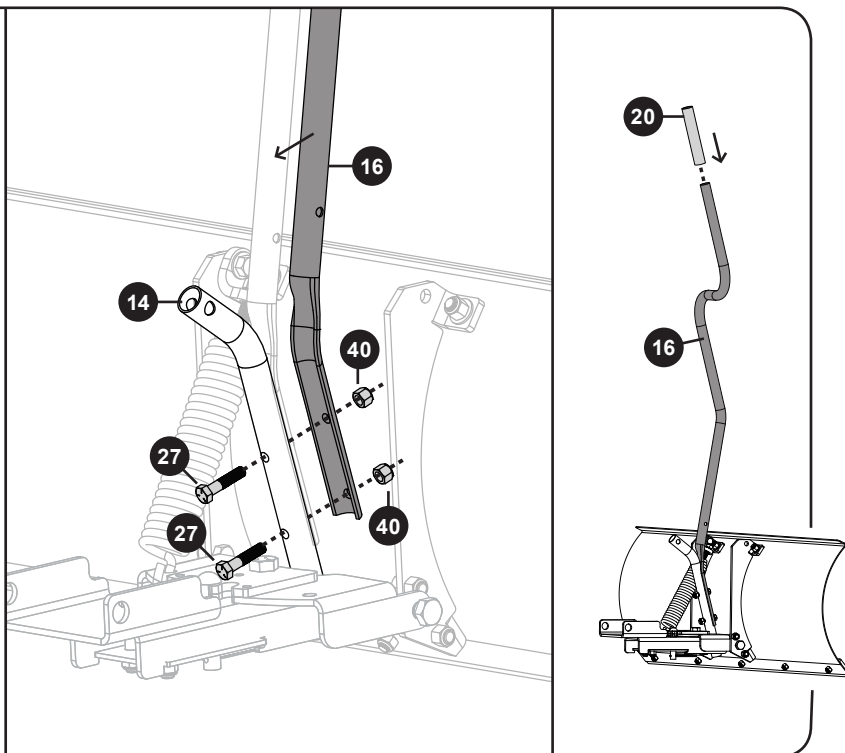
## Paso 14 del Montaje

### Adición del Mango Superior

1. Sujete el tubo del mango superior (16) al tubo del mango inferior (14) utilizando:
  - x 2 Pernos (27) – 5/16" x 1 1/2"
  - x 2 Tuercas de bloqueo (40) – 5/16"

 Llave tubular de 1/2"

2. Deslice la agarradera (20) sobre el extremo del tubo superior del mango (16).




**No apriete completamente.** *Esta parte tiene que pivotar.*

## Paso 15 del Montaje


### Soporte de Refuerzo

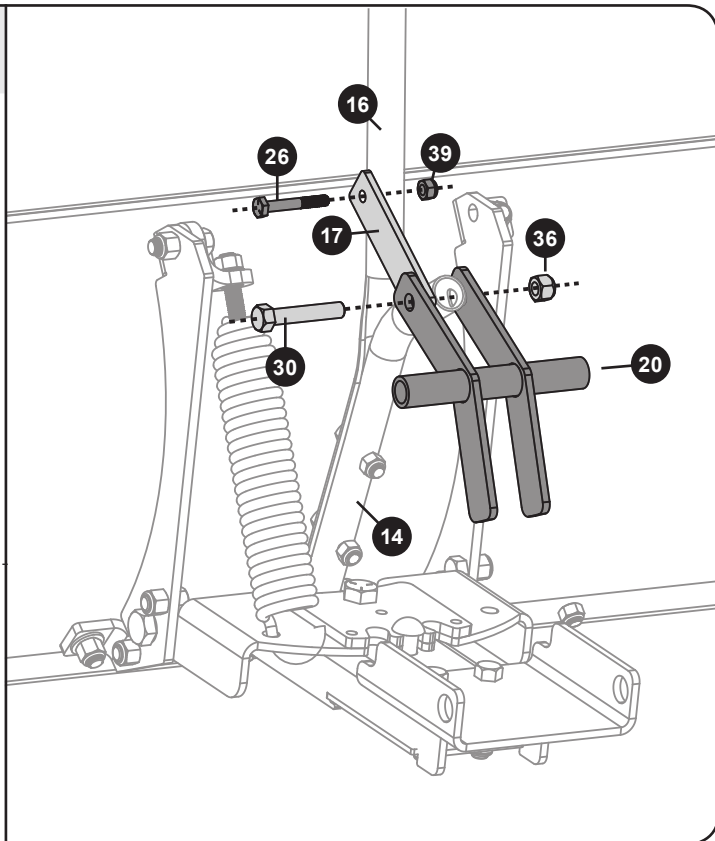
1. Sujete el soporte de refuerzo (17) y la soldadura del pivote (20) a los dos tubos del mango, superior (16) e inferior (14), utilizando:

x 1 Perno (26) – 1/4" x 1 3/4"  
+ x 1 Tuerca de bloqueo (39) – 1/4"

 Llave tubular de 7/16"

x 1 Perno (30) – 3/8" x 2"  
+ x 1 Tuerca de bloqueo (36) – 3/8"

 Llave tubular de 9/16"

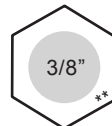
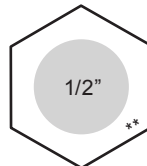
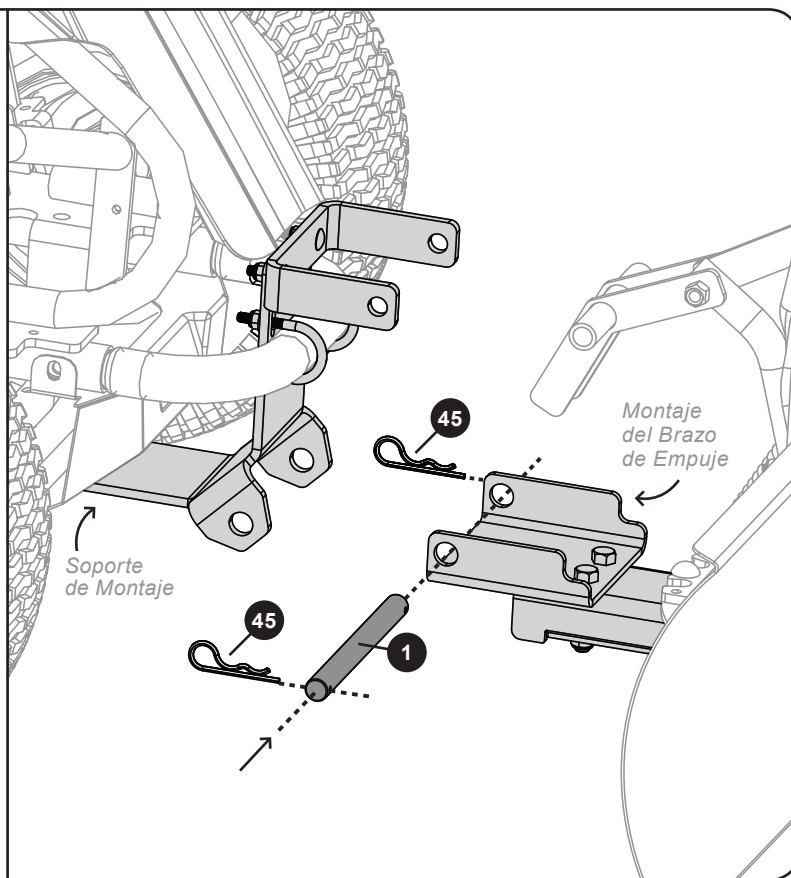


# MONTAJE

## Paso 16 del Montaje

### Montaje de la Cuchilla

1. Coloque la parte posterior del montaje de la cuchilla hacia el soporte que colocó en su cortadora en los Pasos de Montaje 1-2.
2. El montaje de empuje se deslizará fácilmente dentro de las pestañas inferiores que se prolongan desde el soporte de la cortadora.
3. Después de alinear los dos juegos de orificios del soporte, inserte la varilla de bisagra enchapada / pasador (1) y sujete con dos clavijas de horquilla (45), una en cada extremo.



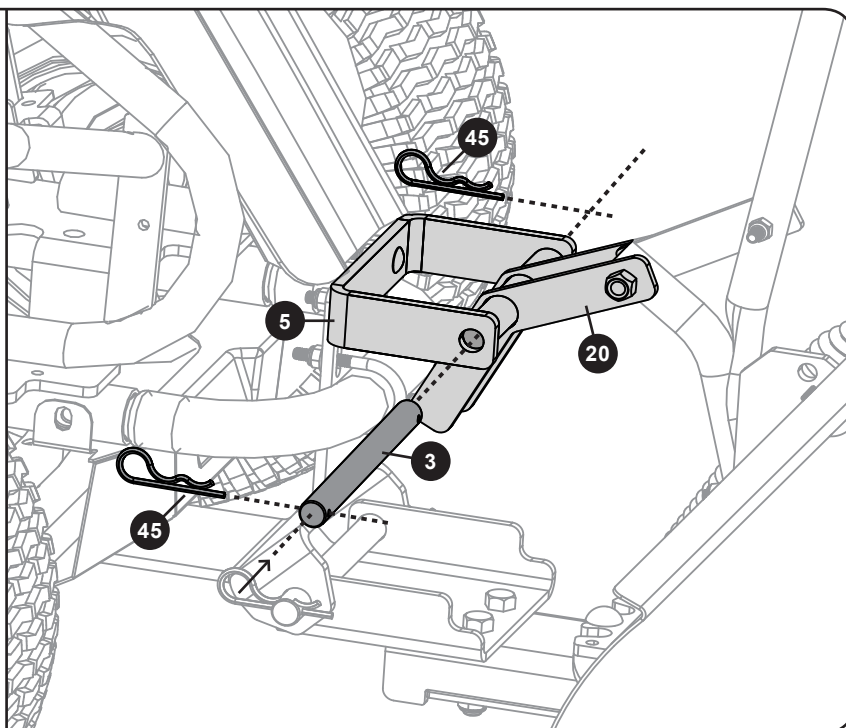
5" ———

4" ———

## Paso 17 del Montaje

### Montaje de la Cuchilla

4. Alinear la soldadura del pivote (20) con el soporte del pivote (5) e inserte el pasador (3).
5. Sujete con dos clavijas de horquilla (45).



3" ———

2" ———

1" ———

0" ———



\*\* La circunferencia exterior de las arandelas puede variar. Estas dimensiones son una métrica del diámetro interno de la arandela.

# OPERACIÓN

**PRECAUCIÓN:** Mantenga los pies y las manos fuera del alcance de la cuchilla mientras la eleva y la baja. Preste mucha atención a su entorno y a la gente en su área cercana en todo momento.

## Operación Paso 1

### Posición de Transporte

1. Para elevar la cuchilla a la posición de transporte, tire del mango superior hacia el operador. *Nota: Asegure que el mango ha sido tirado hacia atrás lo suficiente como para activar la función de auto-bloqueo.*

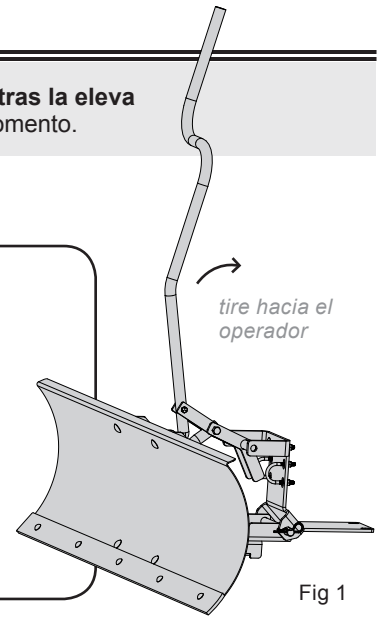


Fig 1

## Operación Paso 2

### Cambio del Ángulo de la Cuchilla

1. Apague el interruptor de llave y accione el freno de estacionamiento, a continuación, baje la cuchilla hasta el piso.
2. Simplemente quite la horquilla debajo del brazo del montaje de empuje (ver fig. 2.1) y tire el pasador del enganche hacia afuera (fig. 2.2).
3. Gire la cuchilla hacia el sentido deseado (fig. 2.3).
4. Sustituya el pasador del enganche y asegure la horquilla debajo para fijar la cuchilla en su posición.

Fig 2.1

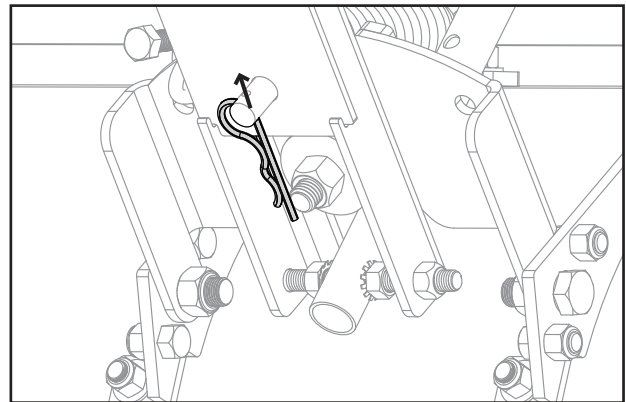


Fig 2.2

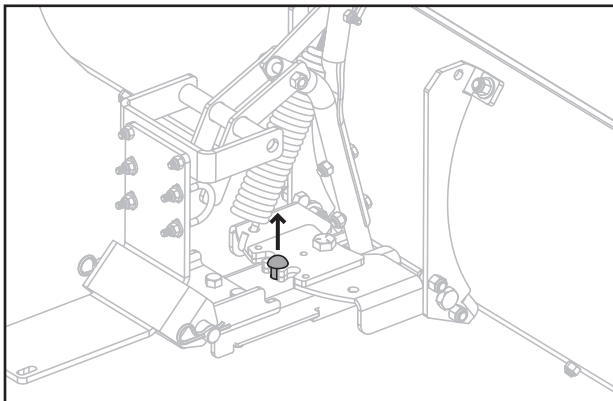
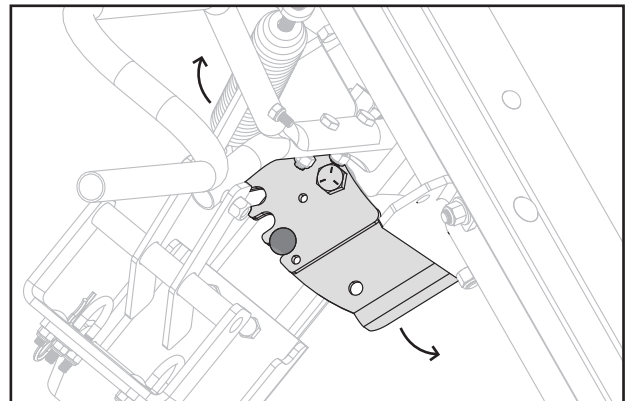


Fig 2.3



**NOTA:** No ajuste el ángulo de la cuchilla mientras esté en posición de transporte.



# OPERACIÓN



**PRECAUCIÓN:** Mantenga los pies y las manos fuera del alcance de la cuchilla mientras la eleva y la baja. Preste mucha atención a su entorno y a la gente en su área cercana en todo momento.

## PRECAUCIÓN

### 1. INSPECCIONE EL ÁREA

Antes de operar la cuchilla para nieve, inspeccione cuidadosamente el área a trabajar. Evite las aceras y otras obstrucciones mayores.

### 2. CONOZCA EL TERRENO

Evite pendientes o desniveles excepcionalmente pronunciados que la nieve pudiera ocultar, nunca introduzca la cuchilla de nieve en material pesado a gran velocidad.

### 3. BAJE LA CUCHILLA

Siempre baje la cuchilla al piso antes de salir de la cortadora.

### 4. ARRANQUE LENTO

Siempre comience a baja velocidad y aumente gradualmente según sea necesario. No exceda de 5 mph. No intente desplazar la nieve en el mismo sentido, lo que provocaría una acumulación excesiva, que se agrandaría con cada pasada.

### 5. SUBA LA CUCHILLA

Eleve la cuchilla cuando se desplace en reversa

### 6. RETIRADA DE NIEVE

La cuchilla sólo está diseñada para retirar la nieve



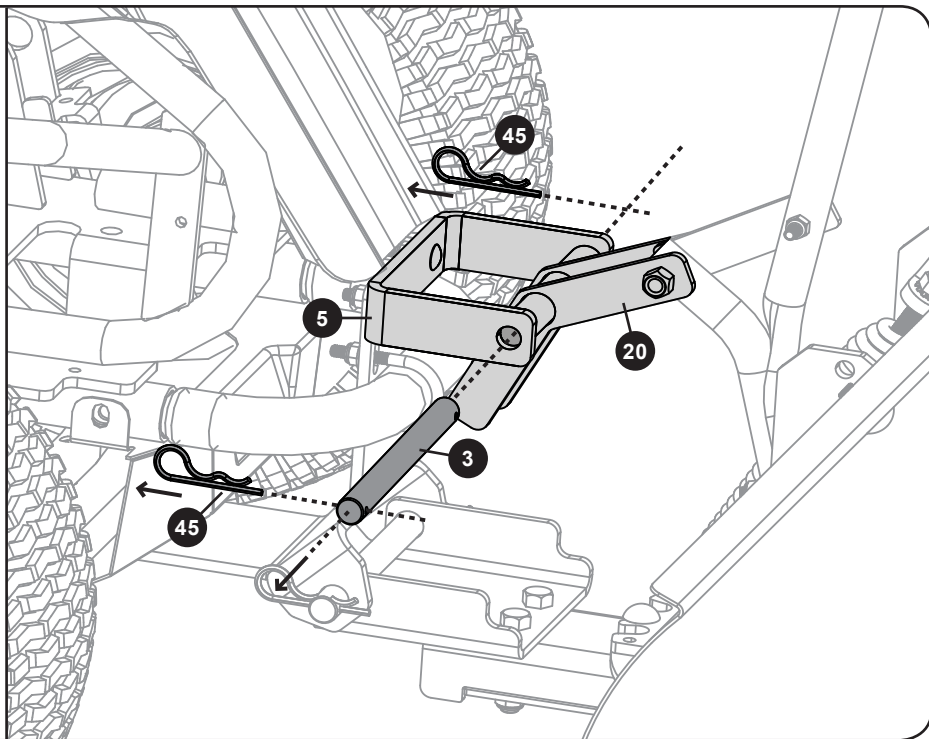
# ALMACENAMIENTO

**⚠ PRECAUCIÓN:** Mantenga los pies y las manos fuera del alcance de la cuchilla mientras la eleva y la baja. Preste mucha atención a su entorno y a la gente en su área cercana en todo momento.

## Almacenamiento - Paso 1

### Retirada de la Cuchilla

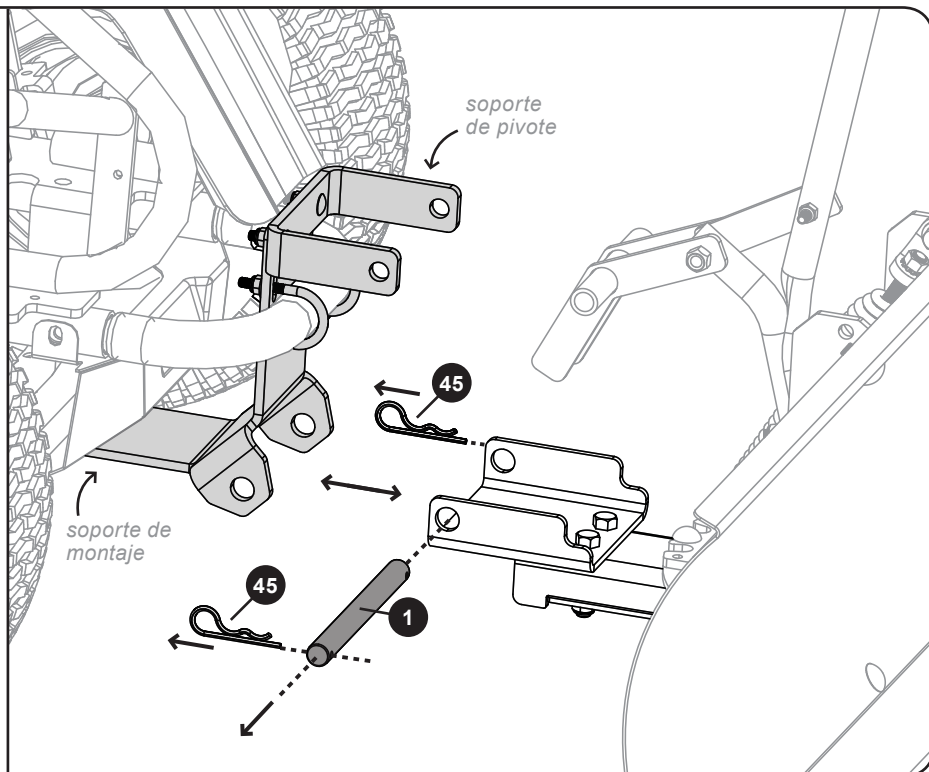
1. Desconecte el interruptor de llave y accione el freno de estacionamiento, luego baje la cuchilla hasta el piso.
2. Retire las dos clavijas de horquilla (45).
3. Retire el pasador (3) de la soldadura del pivote (20) y el soporte del pivote (5).



## Almacenamiento - Paso 2

### Retirada de la Cuchilla

4. Aparte las dos clavijas de horquilla (45) de cada extremo y retire la varilla de bisagra enchapada / pasador (1).
5. El montaje del brazo de empuje y el soporte de montaje se separarán fácilmente.
6. Deje los soportes de montaje y pivote acoplados a la cortadora.



# MANTENIMIENTO



**PRECAUCIÓN:** Mantenga los pies y las manos fuera del alcance de la cuchilla mientras la eleva y la baja. Preste mucha atención a su entorno y a la gente en su área cercana en todo momento.

## 1. LIMPIEZA Y SECADO

La clave para años de servicio sin problemas es mantener su quitanieves limpio y seco.

## 2. PIEZAS EN MOVIMIENTO

Después de los primeros 30 minutos de uso, compruebe que todos los tornillos estén bien ajustados. A partir de entonces, compruebe periódicamente que todos los tornillos estén bien ajustados.

## 3. MOVIMIENTO

Compruebe que todas las piezas móviles se mueven libremente y, si es necesario, lubríquelas con aceite.

## 4. ACUMULACIONES

Elimine periódicamente la acumulación de escombros.

## 5. OXIDACIÓN

Para el óxido que aparece en las superficies pintadas, lije ligeramente y señale el área afectada con esmalte.

## 6. ROTACIÓN

Después de que la barra de desgaste se haya desgastado de forma considerable, se debe girar (de abajo hacia arriba) para proporcionar un borde "nuevo". Retire los cinco pernos de cabeza redonda (5/16"), gire la cuchilla y a continuación vuelva a montar la unidad con el filo "nuevo" en la superficie.

---

**GARANTÍA LIMITADA DEL FABRICANTE  
PARA**



La garantía limitada a continuación ha sido establecida por Brinly-Hardy Company con respecto a los productos nuevos comprados y usados en los Estados Unidos, sus territorios y posesiones.

Brinly-Hardy Company brinda una garantía de los productos mencionados a continuación contra defectos de materiales y fabricación y, a su criterio, reparará o reemplazará, sin costo alguno, toda pieza con defectos de materiales o fabricación. Esta garantía limitada solo se aplicará si este producto ha sido armado, utilizado y ha recibido mantenimiento de acuerdo con el manual de funcionamiento provisto con el producto, y no ha sido sujeto a maltrato, abuso, uso comercial, negligencia, accidente, mantenimiento inadecuado, modificación, vandalismo, robo, fuego, agua, ni daño ocasionado por otro peligro o desastre natural.

El desgaste normal de las piezas o componentes está sujeto a los siguientes términos: el producto estará cubierto contra todo desgaste normal de partes o falla de componentes por un período de 90 días.

Reemplazaremos toda parte que se encuentre defectuosa dentro del período de garantía. Nuestra obligación en esta garantía se limita expresamente al reemplazo o la reparación, según nuestro criterio, de las partes que presenten defectos de materiales o fabricación.

**CÓMO OBTENER SERVICIO:**

Los reemplazos de partes cubiertas por la garantía están disponibles, **SOLO CON EL COMPROBANTE DE COMPRA**, en nuestro Departamento de Atención al Cliente. Llame al 877-728-8224.

Esta garantía limitada no ofrece cobertura en los siguientes casos:

- a) Artículos de mantenimiento rutinario tales como lubricantes y filtros.
- b) Deterioro normal del acabado exterior debido al uso o a la exposición.
- c) Cargos de transporte o trabajo.
- d) La garantía no incluye uso comercial o alquiler.

**Ninguna otra garantía, como alguna garantía implícita de comerciabilidad o idoneidad para un propósito particular, se aplica después del periodo vigente de garantía escrita expresa mencionada con respecto a las partes que se identifican a continuación. Ninguna otra garantía expresa, sea escrita u oral, excepto como se menciona anteriormente, otorgada por cualquier persona o entidad, como un distribuidor o minorista,**

**con respecto a cualquier producto, obligará a Brinly-Hardy Co. Durante el período de garantía, la única solución es la reparación o el reemplazo de la parte como se estipula anteriormente.**

**Las disposiciones, como se expresan en esta garantía, brindan la única y exclusiva solución emanada de la venta. Brinly-Hardy Co. no será responsable por pérdidas o daños incidentales o indirectos, incluidos, entre otros, los gastos ocasionados por los servicios de cuidado del césped o los gastos de alquiler para reemplazar temporalmente el producto garantizado.**

Algunos estados no permiten la exclusión o limitación de daños incidentales o indirectos, o limitaciones sobre el período de duración de una garantía implícita, de manera que las exclusiones o limitaciones anteriores podrían no aplicarse en su caso.

Durante el período de garantía, la única solución es el reemplazo de la parte. En ningún caso la recuperación de cualquier tipo será superior al monto del precio de compra del producto vendido.

La modificación de las características de seguridad del producto invalidará esta garantía. Usted asume el riesgo y la obligación por la pérdida, daño, o lesión a su persona y a su propiedad o a terceros y su propiedad que surjan a raíz del mal uso y la incapacidad para usar este producto.

Esta garantía limitada no se extenderá a nadie distinto al comprador original o a la persona para quien fue adquirida como un regalo.

---

**CÓMO SE RELACIONA LA LEY ESTATAL CON ESTA**

**GARANTÍA:** Esta garantía limitada le otorga a usted derechos legales específicos y usted podría tener también otros derechos que varían de un estado a otro.

**IMPORTANTE:** El período de garantía indicado a continuación empieza con el **COMPROBANTE DE COMPRA**. Sin el comprobante de compra, el período de garantía empieza desde la fecha de fabricación determinada por el número de serie de fabricación.

**PERÍODO DE GARANTÍA:** El período de garantía del producto que se muestra en este manual es el siguiente: Piezas del marco de acero: 2 años. Los neumáticos, el sistema motriz y las ruedas son piezas con desgaste normal por uso: 90 días.