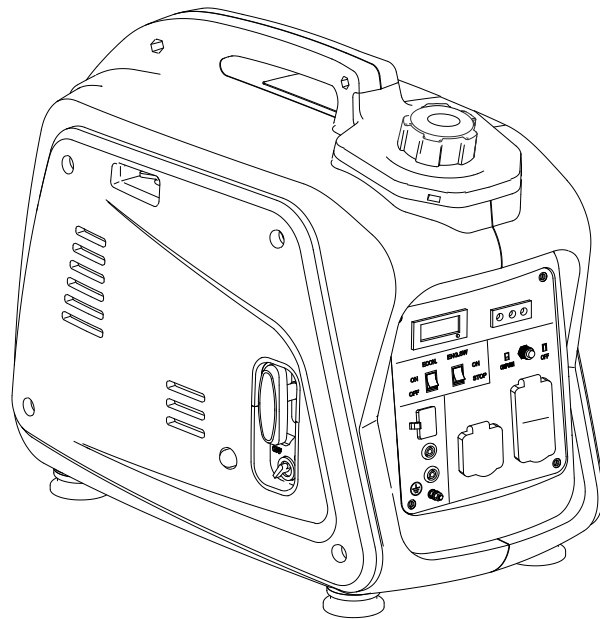


# Green-Power America, LLC

We Power Your World!

## GN2200iP PARTS LIST



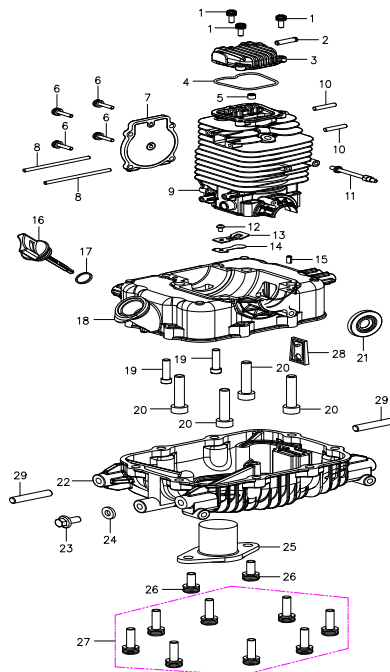


FIG.A CRANKCASE ASSY

No.	GPA Parts Number	Factory Parts Number	Description	Qty	Comments
1	GN2200iP-A-1	301010650	Hexagon Flange Bolts GBT16674.1-8.8-M6X18	3	
2	GN2200iP-A-2	2154230021	Ventilation Nozzle	1	
3	GN2200iP-A-3	2154230005	cylinder Head Cover	1	
4	GN2200iP-A-4	2154230072	Cylinder Head Cover Seal	1	
5	GN2200iP-A-5	2154230001	Valve Oil Seal Component	1	
6	GN2200iP-A-6	301010014	Hexagon Flange Bolts GBT16674.1-8.8-M6X20	4	
7	GN2200iP-A-7	2154230031	Cam Chamber Cover	1	
8	GN2200iP-A-8	2154230039	Stud Bolt M5x100	2	
9	GN2200iP-A-9	2150120002	Upper Crankcase	1	
10	GN2200iP-A-10	301040420	Stud Bolt GB900-8.8-M6X32	2	
11	GN2200iP-A-11	2150230002	Stud Bolt for Location	1	
12	GN2200iP-A-12	301060415	Screw GB9074.4-M3X6	1	
13	GN2200iP-A-13	2147630046	Limiting Board	1	
14	GN2200iP-A-14	2154230020	Valve Plate	1	
15	GN2200iP-A-15	301110007	Bolt GBT119.1-4X8	1	
16	GN2200iP-A-16	2155630004	Engine Oil Gauge	1	
17	GN2200iP-A-17	2155630045	O ring 19*3.55	1	
18	GN2200iP-A-18	2154230003	Lower Crankcase	1	
19	GN2200iP-A-19	301030280	Inner Hexagon Screw GB/T70.1-10.9-M6x25	2	
20	GN2200iP-A-20	301030297	Inner Hexagon ScrewGB/T70.1-10.9-M8x55	4	
21	GN2200iP-A-21	2154230056	Oil Seal 21x32x5	1	
22	GN2200iP-A-22	2154230004	Oil Pan	1	
23	GN2200iP-A-23	301010476	Flange Bolt GBT5789-8.8-M6X12	1	
24	GN2200iP-A-24	2147630014	Aluminium Gasket 6x13x2	1	
25	GN2200iP-A-25	2147630012	Oil Lever Sensor	1	
26	GN2200iP-A-26	301060368	Screw GB9074 8-M6X18	2	
27	GN2200iP-A-27	301010015	Dual-Head Bolts GBT16674.1-8.8-M6X25	8	
28	GN2200iP-A-28	2147620008	One-Way Valve Components	1	
29	GN2200iP-A-29	2147630015	Stud Bolt M6x25	2	

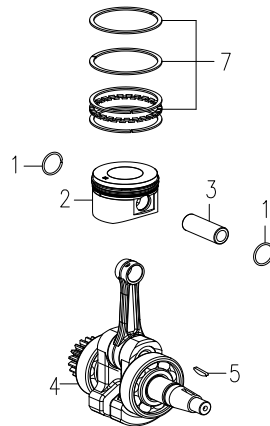


FIG B. CRANKSHAFT and PISTON

No.	GPA Parts Number	Factory Parts Number	Description	Qty	Comments
1	GN2200iP-B-1	2155630056	Piston Pin Clip	2	
2	GN2200iP-B-2	2150130003	Piston	1	
3	GN2200iP-B-3	2150130008	Piston Pin	1	
4	GN2200iP-B-4	2154220006	Connecting Rod	1	
5	GN2200iP-B-5	2155630015	Woodruff Key	1	
6	GN2200iP-B-6	2150120006	Piston Ring	1	

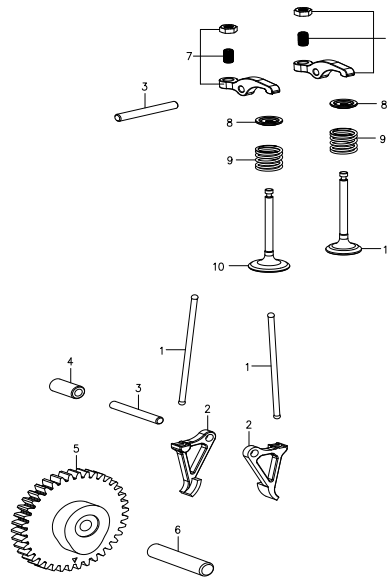


FIG C. CAMSHAFT

No.	GPA Parts Number	Factory Parts Number	Description	Qty	Comments
1	GN2200iP-C-1	2154230057	Tappet	2	
2	GN2200iP-C-2	2154230054	Lower Rocker	2	
3	GN2200iP-C-3	301110282	Pin 7 G6×39	3	
4	GN2200iP-C-4	2154230059	Rocker Bush	1	
5	GN2200iP-C-5	2154220008	Cam/Timing Gear Combination	1	
6	GN2200iP-C-6	2146130010	Decompression of the pin	1	
7	GN2200iP-C-7	2154230048	Upper Rocker	2	
8	GN2200iP-C-8	2146130049	Valve Spring Seat	2	
9	GN2200iP-C-9	2154230034	Valve Spring	2	
10	GN2200iP-C-10	2154230007	Intake Valve	1	
11	GN2200iP-C-11	2154230023	Exhaust Valve	1	
12	GN2200iP-C-	2146130025	Torsional spring	1	
13	GN2200iP-C-	2154230008	Cover for cam	1	
14	GN2200iP-C-	2154230060	Camshaft	1	

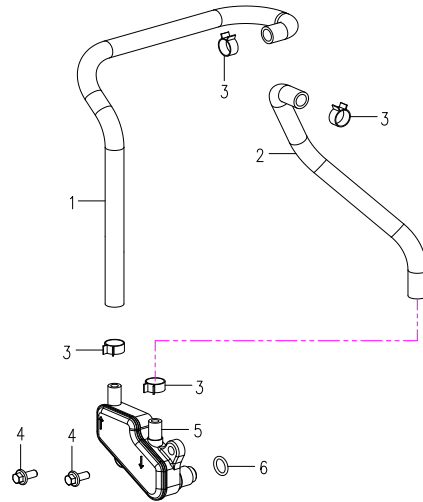


FIG D.LUBRICATION SYSTEM

No.	GPA Parts Number	Factory Parts Number	Description	Qty	Comments
1	GN2200iP-D-1	2154230010	Respiratory Tube	1	
2	GN2200iP-D-2	2154230025	Outlet Tube	1	
3	GN2200iP-D-3	401040002	Pipe Hoop 9	4	
4	GN2200iP-D-4	301010003	Hexagon Flange Bolt GBT16674.1-8.8-M5X16	2	
5	GN2200iP-D-5	2147620009	Deaerator	1	
6	GN2200iP-D-6	2147630055	O Ring 9*1.3 (F)	1	Fluororubber

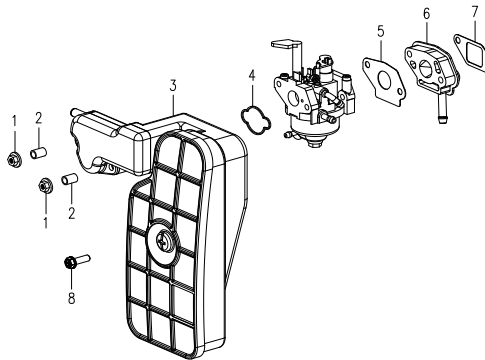


FIG E. AIR CLEANER

No.	GPA Parts Number	Factory Parts Number	Description	Qty	Comments
1	GN2200iP-E-1	301020249	Flange Nut GBT6177.1-8-M5	2	
2	GN2200iP-E-2	2154230049	Air Cleaner Bush	2	
3	GN2200iP-E-3	2154220022	Air Cleaner Assy.	1	EPA
		2154230042	Cover of Air Cleaner	1	inside
		2154230036	Foam/sponge	1	inside
		2147630064	Screw	1	inside
4	GN2200iP-E-4	2146530022	Air Cleaner Gasket	1	
5	GN2200iP-E-5	2156030077	Carburetor Gasket	1	
6	GN2200iP-E-6	2154220012	Insulation Board Components	1	
7	GN2200iP-E-7	2154230013	Insulation Gasket	1	
8	GN2200iP-E-8	301050243	Flange Screw GBT15856.4-ST4.8X16	1	

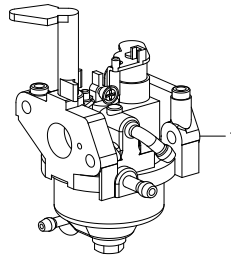


FIG.F CARBURETOR

No.	GPA Parts Number	Factory Parts Number	Description	Qty	Comments
1		2154210008	Carburator Assy.	1	

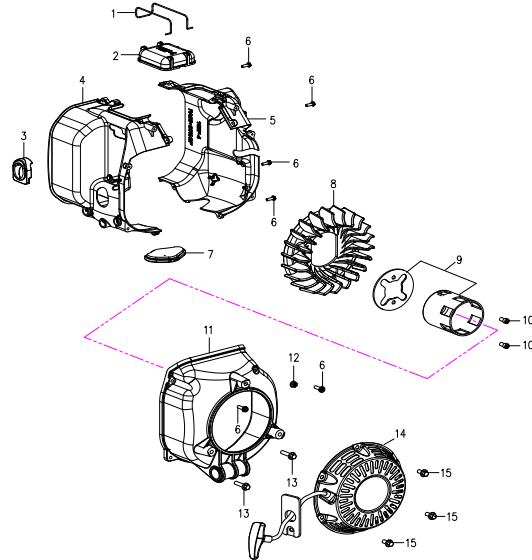


FIG G. Air-Flow Guide and Recoil Starter

No.	GPA Parts Number	Factory Parts Number	Description	Qty	Comments
1	GN2200-iP-G-1	2154230058	Wire Clip	1	
2	GN2200-iP-G-2	2154230044	Cylinder Head Cover Shroud	1	
3	GN2200-iP-G-3	2154230050	Oil Filler Hole Airproof Pad	1	
4	GN2200-iP-G-4	2154230030	Air Guide Sleeve A	1	
5	GN2200-iP-G-5	2154230038	Air Guide Sleeve B	1	
6	GN2200-iP-G-6	301050243	Flange Self-tapping bolt GBT15856.4-ST4.8X16	6	
7	GN2200-iP-G-7	2154230055	Rubber Cover	1	
8	GN2200-iP-G-8	2155630042	Cooling Fan	1	
9	GN2200-iP-G-9	2155620041	Starting Hub	1	
10	GN2200-iP-G-10	301010012	Hexagon Flange Bolts GBT16674.1-8.8-M6x12	2	
11	GN2200-iP-G-11	2154230017	Fan Volute	1	
12	GN2200-iP-G-12	301020249	Flange Nut	1	
13	GN2200-iP-G-13	301010005	Hexagon Flange Bolts GBT16674.1-8.8-M5X25	2	
14	GN2200-iP-G-14	2155620024	Recoil Starter Parts	1	
		2155630027	Handle	1	
		2147630108	Handle Cover	1	
		2155630067	Fender	1	
15	GN2200IP-G-15	301010012	Hexagon Flange Bolts GBT16674.1-8.8-M6X12	3	

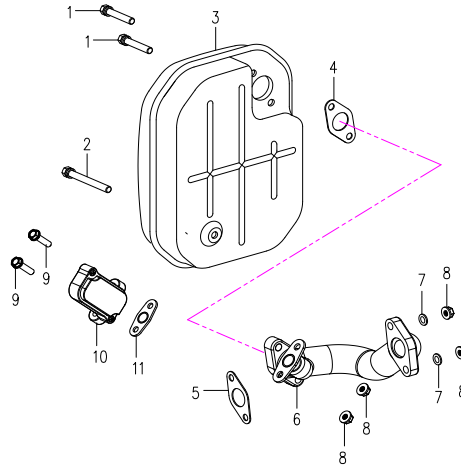


FIG H. MUFFLER (EPA)

No.	GPA Parts Number	Factory Parts Number	Description	Qty	Comments
1	GN2200iP-H-1	301010259	Bolt GBT5782-8.8-M6X50	2	
2	GN2200iP-H-2	301010735	Bolt GBT5782-8.8-M6X80	1	
3	GN2200iP-H-3	2154220021	Muffler Assy.	1	EPA
4	GN2200iP-H-4	2154230035	Muffler Gasket	1	
5	GN2200iP-H-5	2154230012	Muffler Pipe Gasket	1	
6	GN2200iP-H-6	2154230062	Muffler Pipe	1	EPA
7	GN2200iP-H-7	301080106	Spring Washer	2	
8	GN2200iP-H-8	301020159	Flange Locking Nut GBT6187.1-8-M6	2	
9	GN2200iP-H-9	301010014	Bolt GBT16674.1-8.8-M6X20	2	
10	GN2200iP-H-10	2154230063	Booster valve	1	
11	GN2200iP-H-11	2154230064	Gasket of booster valve	1	

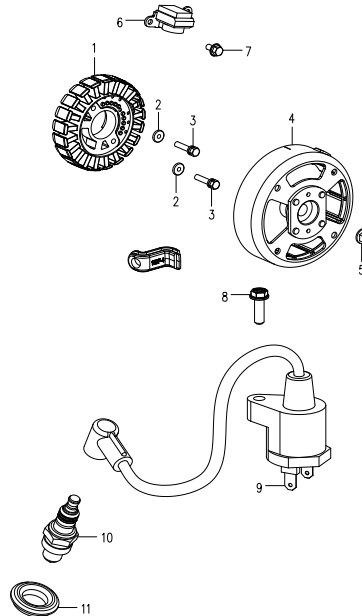


FIG I. GENERATOR

No.	GPA Parts Number	Factory Parts Number	Description	Qty	Comments
1	GN2200iP-I-1	2154220018	Stator Ass.	1	
2	GN2200iP-I-2	301080046	Spring Washer GB93-5	2	
3	GN2200iP-I-3	301010251	Bolt GBT5782-8.8-M5*35	2	
4	GN2200iP-I-4	2150120009	Rotor Ass.	1	
5	GN2200iP-I-5	301020105	Flange Nut GBT6177.2-10-M12X1.25	1	
6	GN2200iP-I-6	2147630135	Trigger	1	
7	GN2200iP-I-7	301010002	Flange Nut GBT16674 1-8.8-M5X12	1	
8	GN2200iP-I-8	301050246	Flange Self-tapping screw GBT15856.4-ST4.8X25	1	
9	GN2200iP-I-9	2146520014	Ignition Coil	1	
10	GN2200iP-I-10	403240006	Spark Plug A5RTC	1	
11	GN2200iP-I-11	2147630096	Ignition Coil Cap Seal	1	

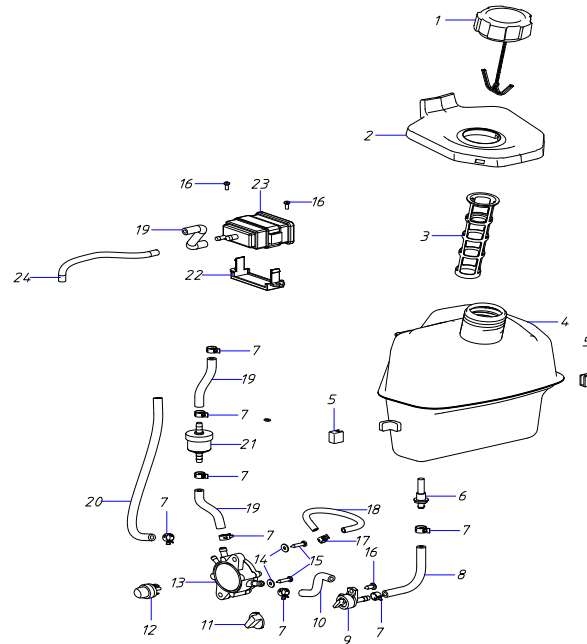


FIG J. FUEL TANK(EPA)

No.	GPA Parts Number	Factory Parts Number	Description	Qty	Comments
1	GN2200iP-J-1	2462420028	Fuel Tank Cap Assy. (EPA)	1	EPA
2	GN2200iP-J-2	2461630008	Fuel Tank Port Rubber	1	
3	GN2200iP-J-3	2462420009	Fuel Tank Filter	1	
4	GN2200iP-J-4	2461620010	Fuel Tank (Still)	1	
5	GN2200iP-J-5	2462430010	Fuel Tank Side Pad	2	
6	GN2200iP-J-6	2463020014	Tank out-flow opening Assy-EPA	1	EPA
7	GN2200iP-J-7	401040002	Clamp ∅9	10	
8	GN2200iP-J-8	2461630016	Hose -EPA	1	EPA
9	GN2200iP-J-9	2460720003	Fuel Cock	1	
10	GN2200iP-J-10	408010006	Fuel Hose 5x10/EPA /L-90	1	EPA
11	GN2200iP-J-11	2460730017	Fuel Cock Knob	1	
12	GN2200iP-J-12	2463020003	Primer Bulb	1	
13	GN2200iP-J-13	2463020002	Fuel Pump	1	
14	GN2200iP-J-14	301080018	Big Washer GBT96 2-4	2	
15	GN2200iP-J-15	301050020	Soft taping bolt GB845-C-ST4.2X19	2	
16	GN2200iP-J-16	301050280	Soft taping bolt GB845-F-ST4 8X13	3	
17	GN2200iP-J-17	401040013	Clamp ∅8	1	
18	GN2200iP-J-18	408010004	Fuel Hose 4X8/EPA L=160	1	EPA
19	GN2200iP-J-19	2462430023	Hose 5x10x115-EPA	2	EPA
20	GN2200iP-J-20	408010005	Fuel Hose (5-10) -230	1	
21	GN2200iP-J-21	2462420012	Fuel Filter	1	
22	GN2200iP-J-22	2461630043	Carbon Tank Support Frame	2	
23	GN2200iP-J-23	2465520037	Carbon Tank SPT-45B	1	
24	GN2200iP-J-24	2461230019	Hose - EPA	1	EPA

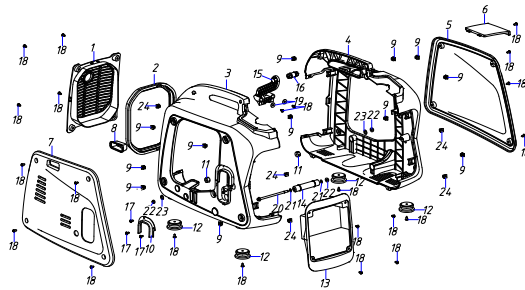


FIG K. SHELL COVER

No.	GPA Parts Number	Factory Parts Number	Description	Qty	Comments
1	GN2200iP-K-1	2461630009	Muffler Cover	1	
2	GN2200iP-K-2	2461630010	Muffler Cover Seal	1	
3	GN2200iP-K-3	2461630065	Right Cover of Shell	1	
4	GN2200iP-K-4	2461630064	Left Cover of Shell	1	
5	GN2200iP-K-5	2461630069	Left Side Cover (GREEN-POWER)	1	
6	GN2200iP-K-6	2461630066	Upper Cover	1	
7	GN2200iP-K-7	2461630070	Right Side Cover (GREEN-POWER)	1	
8	GN2200iP-K-8	2461630011	Rubber of Choke	1	
9	GN2200iP-K-9	2460730011	Fastener	9	
10	GN2200iP-K-10	2461230006	Edge Protection	1	
11	GN2200iP-K-11	2460730013	Rubber Pad $\Phi 6 \times \Phi 16 \times 10$	2	
12	GN2200iP-K-12	2461620003	Vibration Absorber	4	
13	GN2200iP-K-13	2461630007	Panel Box	1	
14	GN2200iP-K-14	2461620002	Rubber Shock Absorber long	1	
15	GN2200iP-K-15	2461630042	Engine Holder	1	
16	GN2200iP-K-16	2461620001	Rubber Shock Absorber short	1	
17	GN2200iP-K-17	301050069	Tap Screw GB/T845 ST4.8x9.5-F	3	
18	GN2200iP-K-18	301050280	Tap Screw GB/T845 ST4.8x13-F	23	
19	GN2200iP-K-19	301080019	Big Washer GBT96 2-5	2	
20	GN2200iP-K-20	301010670	Flange Bolt GBT5789-8 8-M6X120	1	
21	GN2200iP-K-21	301080020	Big Washer GBT96.2-5	2	
22	GN2200iP-K-22	1020159	Flange Locking Nut GBT6187.1-8-M6	3	
23	GN2200iP-K-23	2460730014	Rubber Pad $\Phi 6.5 \times \Phi 16 \times 2$	2	
24	GN2200iP-K-24	2461630012	Spring Nut	8	

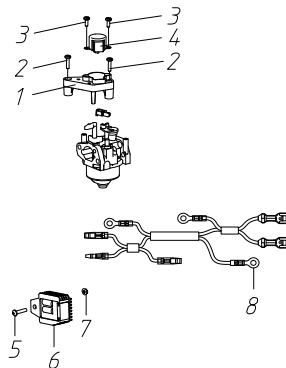


FIG L. Stepper Motor

No.	GPA Parts Number	Factory Parts Number	Description	Qty	Comments
1	GN2200iP-L-1	2461520009	Stepper Motor Holder	1	
2	GN2200iP-L-2	301060010	Composite of bolt, spring wahser, flat washer GB90	2	
3	GN2200iP-L-3	301060408	Composite of bolt, spring wahser, flat washer GB90	2	
4	GN2200iP-L-4	2460720017	Stepper Motor Assy.	1	
5	GN2200iP-L-5	301030772	Bolt GBT823-4.8-M5X16	1	
6	GN2200iP-L-6	403010003	Rectifier WYQ14-5-5-1	1	
7	GN2200iP-L-7	301020219	Nut QCT864-M5	1	
8	GN2200iP-L-8	2461620008	Ignition Coil	1	



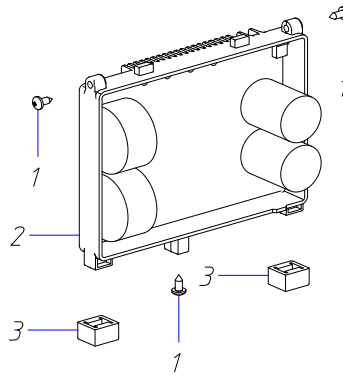


FIG M. INVERTER MODULAR

No.	GPA Parts Number	Factory Parts Number	Description	Qty	Comments
1	GN2200iP-M-1	301060018	Composite of bolt, spring wahser, flat washer GB90	3	
2	GN2200iP-M-2	2465510008	Inverter Modular	1	
3	GN2200iP-M-3	2462430006	Inverter Gasket	2	

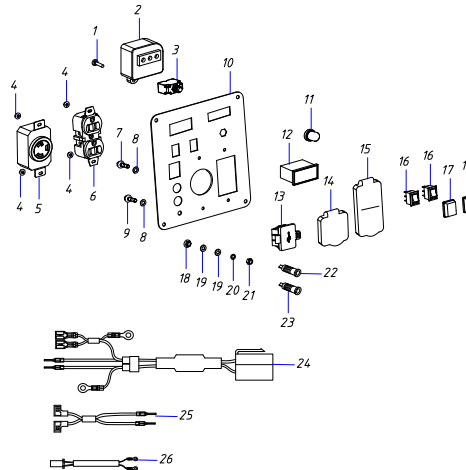


FIG N. CONTROL PANEL (FOR USA)

No.	GPA Parts Number	Factory Parts Number	Description	Qty	Comments
1	GN2200iP-N-1	301060020	Composite of bolt, spring wahser, flat washer GB90	1	
2	GN2200iP-N-2	2462420015	Ignition Controller IC-2500	1	
3	GN2200iP-N-3	403210006	Overload Protector 20A	1	
4	GN2200iP-N-4	301020218	Nut QCT864-M4	4	
5	GN2200iP-N-5	403030107	Socket L5-30R	1	
6	GN2200iP-N-6	403030105	American Socket 5-20R	1	
7	GN2200iP-N-7	301060369	Composite of bolt, spring wahser, flat washer GB90	2	
8	GN2200iP-N-8	301080089	Lock Gasket GB862.2 φ5	3	
9	GN2200iP-N-9	301010468	Flange Bolt GBT5789-8.8-M5X16	1	
10	GN2200iP-N-10	2461620024	Panel Board	1	
11	GN2200iP-N-11	403210004	Water-Proof Cap of Overload Protector	1	
12	GN2200iP-N-12	403020003	Digital Indicator	1	
13	GN2200iP-N-13	403030002	USB ports 5.0V/1.0A, 5.0V/.1A	2	
14	GN2200iP-N-14	403030108	Cover for Socket L5-30R	1	
15	GN2200iP-N-15	403030106	Over for Socket 5-20A	1	
16	GN2200iP-N-16	402150001	Boat-Shape Switch	2	
17	GN2200iP-N-17	402150010	Water-Proof Cap of Boat-Shape Switch	2	
18	GN2200iP-N-18	301020219	Nut QCT864-M5	1	
19	GN2200iP-N-19	301080101	Flat Washer GBT97 1-5	2	
20	GN2200iP-N-20	301080046	Spring Washer	1	
21	GN2200iP-N-21	301020236	Nut	1	
22	GN2200iP-N-22	403030015	Parallel connecting port red	1	
23	GN2200iP-N-23	403030020	Parallel connecting port black	1	
24	GN2200iP-N-24	2461620025	Wire Harness for AC socket	1	
25	GN2200iP-N-25	2461620026	Wire Harness to parallel port	1	
26	GN2200iP-N-26	2461620027	Connecting wires to digital indicator	1	