



OUTDOOR
ESSENTIALS®

2X2, 3X3 AND 3X6 RAISED GARDEN BED KIT INSTALLATION INSTRUCTIONS

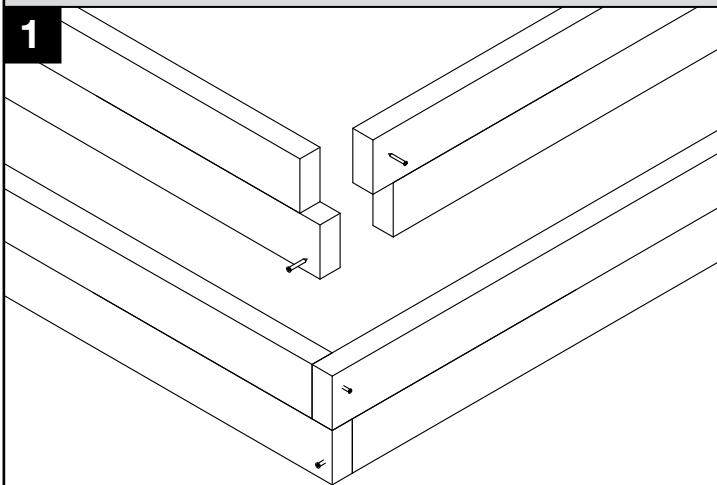
2x2 and 3x3 Kit

Parts included

- (4) Preassembled side assemblies
- (8) Phillips head screws

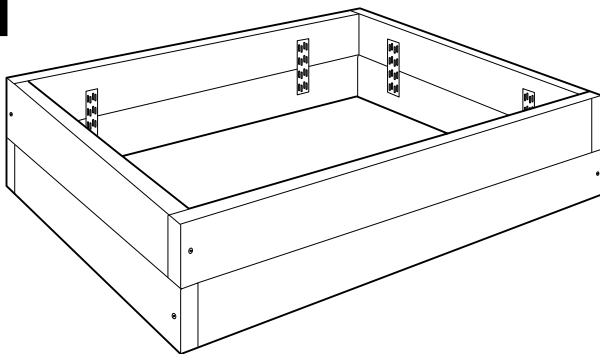
Tools required

Cordless drill with Phillips bit



Place two sides together to make a corner (metal plates facing inward).
Drive screws into predrilled holes to connect the two sides.

2



Repeat with remaining sides to complete the bed.

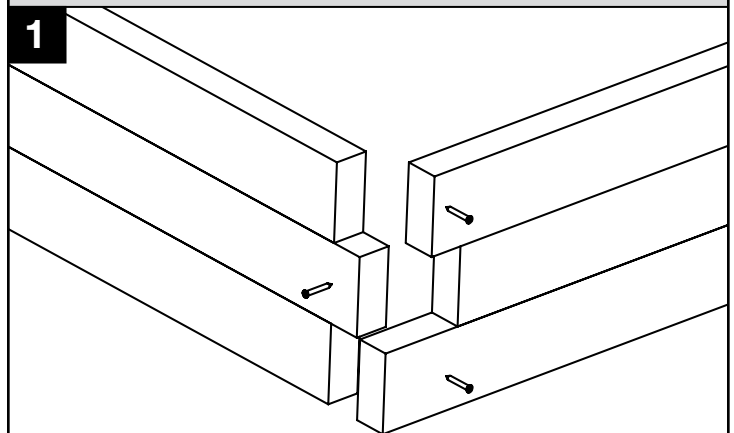
3x6 Kit

Parts included

- (2) Preassembled 72" side assemblies
- (2) Preassembled 48" side assemblies
- (12) Phillips head screws

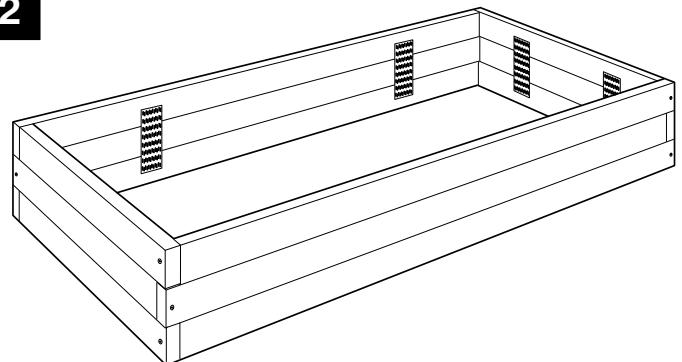
Tools required

Cordless drill with Phillips bit



Place two sides together to make a corner (metal plates facing inward).
Drive screws into predrilled holes to connect the two sides.

2



Repeat with remaining sides to complete the bed.

THE DIAGRAMS AND INSTRUCTIONS IN THIS BROCHURE ARE FOR ILLUSTRATION PURPOSES ONLY AND ARE NOT MEANT TO REPLACE A LICENSED PROFESSIONAL. ANY CONSTRUCTION OR USE OF THE PRODUCT MUST BE IN ACCORDANCE WITH ALL LOCAL ZONING AND/OR BUILDING CODES. THE CONSUMER ASSUMES ALL RISKS AND LIABILITY ASSOCIATED WITH THE CONSTRUCTION OR USE OF THIS PRODUCT. THE CONSUMER OR CONTRACTOR SHOULD TAKE ALL NECESSARY STEPS TO ENSURE THE SAFETY OF EVERYONE INVOLVED IN THE PROJECT, INCLUDING, BUT NOT LIMITED TO, WEARING THE APPROPRIATE SAFETY EQUIPMENT. EXCEPT AS CONTAINED IN THE WRITTEN LIMITED WARRANTY, THE WARRANTOR DOES NOT PROVIDE ANY OTHER WARRANTY, EITHER EXPRESS OR IMPLIED, AND SHALL NOT BE LIABLE FOR ANY DAMAGES, INCLUDING CONSEQUENTIAL DAMAGES.