



Buy it for looks. Buy it for life.®

Care Instructions

To preserve the finish on the metallic parts of your Moen faucet, apply non-abrasive wax, such as car wax. Any cleaners should be rinsed off immediately.

6. Post Installation - Troubleshooting Guide

Problem	Possible Cause	To Diagnose	Remedy
Hot/cold reversed	Lines reversed/cartridge installed upside down	Hot/cold reversed	Rotate cartridge stem 180° so that the notch is facing down towards the drain.
No water/low flow	One or both supplies not on to the unit	No water/low flow	Turn both water supply valves counterclockwise to the on position
Leak or drip from spout	Grommets not sealing properly	Leak/drip from spout	Replace cartridge
Only hot/no cold – Only cold/no hot	Balancing spool stuck	Only hot/no cold – Only cold/no hot	Replace cartridge
Stacking (Water comes out of the showerhead during tub fill mode)	Choice of pipe/distance between valve and showerhead less than 46"/multiple elbows/anything restricting flow of water exiting valve	Water comes out of spout and showerhead at the same time	Remove tub spout and flush out debris – Replace undersized line or fittings
	Flow restriction between valve and tub spout	Water comes out of spout and showerhead at the same time causing restriction	Remove tub spout and flush out debris – Replace undersized line or fittings
	Valve installed upside down	Remove cartridge and verify that the outlet hole is in proper location (should be down). "Up" is on the top of the valve	Remove valve and reinstall in the proper orientation
Restricted temperature range	Handle (more common in knob models) is installed upside down	In the off position, able to turn the handle both clockwise and counterclockwise	Remove handle, rotate 180°, re-install
	Temperature limit stop out of position	Remove handle and see Step 5.3	Position temperature limit stop to desired temperature position
Not able to install handle/handle rubs up against escutcheon	Valve installed too far back from finished wall	Handle does not install	Contact Moen for assistance.
Handle is hard to turn	Cartridge stem is difficult to rotate	Difficult movement from handle	Replace cartridge or lubricate

For further assistance, contact Moen at:
 USA: 1-800-289-6636 or visit www.moen.com
 Canada: 1-800-465-6130 or visit www.moen.ca

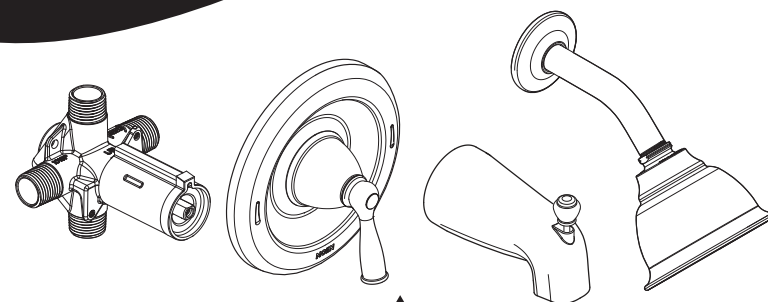


Buy it for looks. Buy it for life.®

INS2150D - 8/15 ©2015 Moen Incorporated www.moen.com

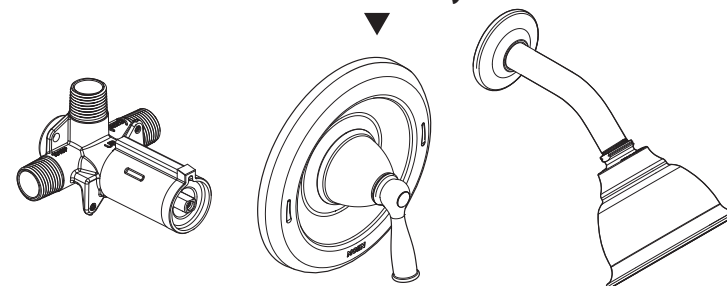
E12

English



▲
One Handle Tub/Shower Valve Trim

▼
One Handle Shower Only Valve Trim



Spot Resist™ Stainless and Spot Resist™ Brushed Nickel Finishes:
 Moen recommends cleaning the Spot Resist finish with a mild soap, rinsing thoroughly with warm water and drying with a clean, soft cloth. Never use cleaners containing abrasives (including abrasive sponges or steel wool), ammonia, bleach or sodium hypochlorite, organic solvents (e.g. alcohols) or other harsh chemicals (e.g. lime scale removers) to clean the Spot Resist finish, as they may damage the finish. Failure to comply with these cleaning instructions may void Moen's warranty.

Installation Instructions

Styles and parts vary by model.



INS2150D

For Warranty Support

Model Number _____
 Installation Date _____

E1

Visit Moen.com for product specific parts diagrams.
Styles and parts vary by model.

Thank you for choosing Moen.

Please Contact Moen First
For Installation Help, Missing or Replacement Parts

USA
1-800-BUY-MOEN
1-800-289-6636
Mon. - Fri. 8:00 a.m. to 8:00 p.m. EST
Sat. 9:00 a.m. to 5:30 p.m. EST
www.moen.com

CANADA
1-800-465-6130
Mon. - Fri. 7:30 a.m. to 5:00 p.m. EST
www.moen.ca

Table of Contents

Tub/Shower Parts Supplied.....E3

Shower Only Parts SuppliedE3

Rough-in Plumbing Variations

 CopperE4

 IPS.....E4

 PEXE5

 CVPCE5

 Helpful Tools.....E4-E5

Installation SchematicsE6

Thin Wall/Thick Wall and Plaster Ground InstallationE6-E8

Trim InstallationE8-E10

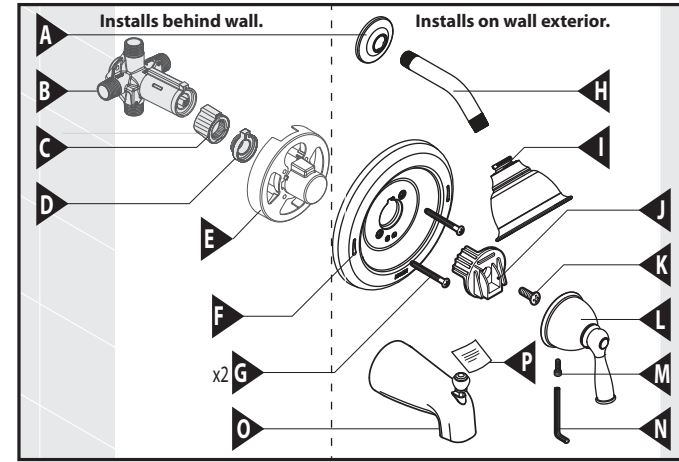
Setting the Temperature Limit Stop E10

Warranty.....E11

Care InstructionsE12

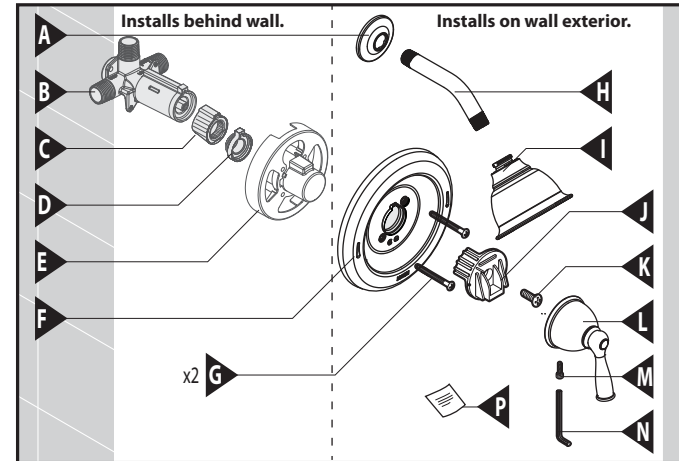
Troubleshooting Guide.....E12

Tub/Shower Parts Supplied



- | | |
|--------------------------------------|---------------------------------|
| A. Shower Arm Flange | I. Showerhead |
| B. 4 Port Valve and Stop Tube | J. Lever Handle Adapter |
| C. Key Stop | K. Adapter Screw (1/2") |
| D. Adjustable Temperature Limit Stop | L. Lever Handle |
| E. Plaster Ground | M. Hex Screw |
| F. Escutcheon | N. 7/64" Hex Wrench |
| G. Escutcheon Screws (2-3/16") | O. Tub Spout |
| H. Shower Arm | P. Product Identification Label |

Shower Only Parts Supplied



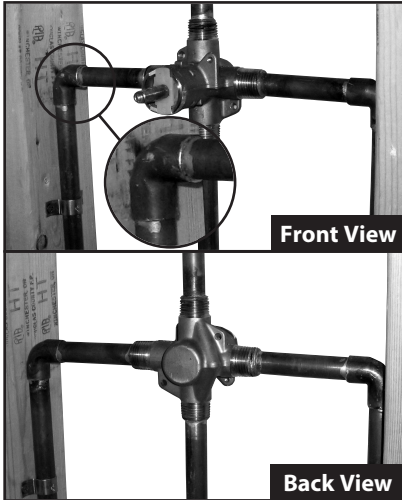
- | | |
|--------------------------------------|---------------------------------|
| A. Shower Arm Flange | I. Showerhead |
| B. 3 Port Valve and Stop Tube | J. Lever Handle Adapter |
| C. Key Stop | K. Adapter Screw (1/2") |
| D. Adjustable Temperature Limit Stop | L. Lever Handle |
| E. Plaster Ground | M. Hex Screw |
| F. Escutcheon | N. 7/64" Hex Wrench |
| G. Escutcheon Screws (2-3/16") | P. Product Identification Label |
| H. Shower Arm | |

For trim only, please proceed to step E8.

1. Determining Your Existing Rough-In Plumbing Installation

If you are replacing your plumbing valve, see below for four common plumbing methods. Specific rough-in fittings are **not supplied**. These may be required for installation. Remove existing handle and valve trim before replacing your valve. **Please follow all local building and plumbing codes.**

Copper



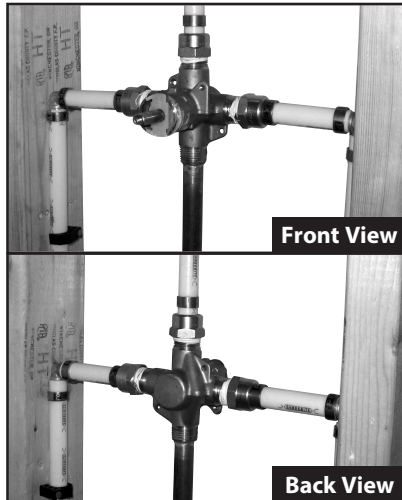
Helpful Tools
For safety and ease of faucet replacement, Moen recommends the use of these helpful tools.

- Safety Glasses
- Measuring Tape
- Torch
- Wire Brush
- Phillips Screwdriver
- Tube Cutter
- Lead-free Solder Kit
- Thermometer
- Thread Seal Tape
- Adjustable Wrench
- Pipe Joint Compound
- Flashlight
- Key Hole Saw

Note:

Depending on your installation configuration, additional pipe and pipe fittings may be required.

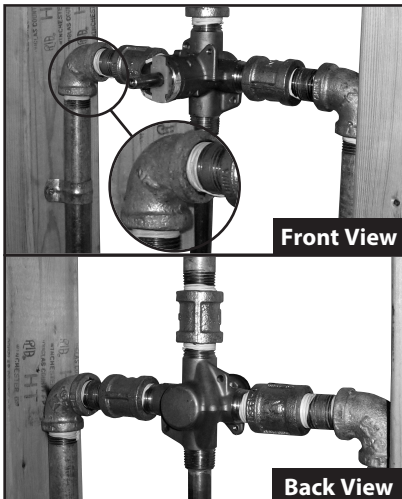
PEX



Helpful Tools
For safety and ease of faucet replacement, Moen recommends the use of these helpful tools.

- Safety Glasses
- Measuring Tape
- Pipe Joint Compound
- Adjustable Wrench
- Thread Seal Tape
- Phillips Screwdriver
- Full Circle Crimping Tool
- Thermometer
- Tubing Cutter
- Flashlight
- Key Hole Saw

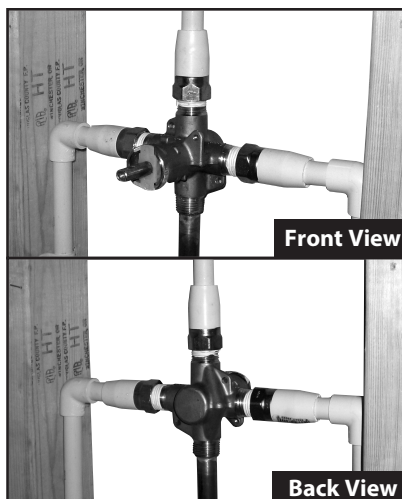
IPS – (Galvanized Iron Pipe/Threaded Connections)



Helpful Tools
For safety and ease of faucet replacement, Moen recommends the use of these helpful tools.

- Safety Glasses
- Measuring Tape
- Thermometer
- Adjustable Wrench
- Thread Seal Tape
- Phillips Screwdriver
- Adjustable Wrench
- Pipe Joint Compound
- Flashlight
- Key Hole Saw

CPVC



Helpful Tools
For safety and ease of faucet replacement, Moen recommends the use of these helpful tools.

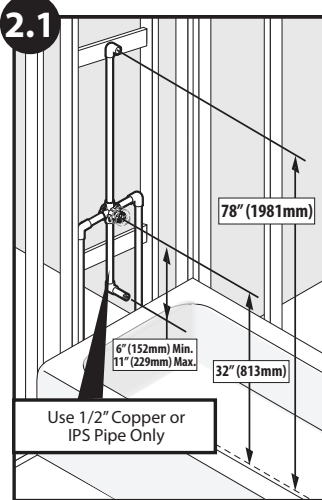
- Safety Glasses
- Measuring Tape
- Pipe Joint Compound
- Adjustable Wrench
- Thread Seal Tape
- Phillips Screwdriver
- CPVC Cement
- Thermometer
- Tubing Cutter
- Flashlight
- Key Hole Saw

⚠ CAUTION – TURN HOT & COLD WATER SUPPLIES OFF BEFORE REMOVING YOUR CURRENT FAUCET OR DISASSEMBLING YOUR CURRENT VALVE. OPEN FAUCET HANDLE TO RELIEVE WATER PRESSURE AND ENSURE COMPLETE WATER SHUT-OFF HAS BEEN ACCOMPLISHED.

⚠ CAUTION – TURN HOT & COLD WATER SUPPLIES OFF BEFORE REMOVING YOUR CURRENT FAUCET OR DISASSEMBLING YOUR CURRENT VALVE. OPEN FAUCET HANDLE TO RELIEVE WATER PRESSURE AND ENSURE COMPLETE WATER SHUT-OFF HAS BEEN ACCOMPLISHED.

2. Installation Schematics – Measuring for Ideal Tub/Shower Performance

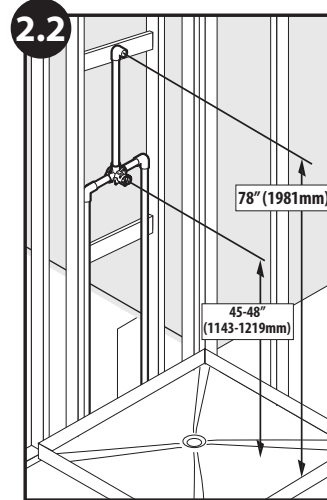
Installation of this product at non-recommended measurements may lead to issues such as water discharge from the showerhead during tub fill mode.



Tub/Shower

Position the valve body 32 inches from the floor of the tub basin. The shower arm should be placed 78 inches above the floor of the tub basin (recommended installation of the shower arm is with a flanged elbow fitting – **not included** – and attached to a wood brace). The tub spout is to be no less than 6 inches and no greater than 11 inches below the valve. If installing a threaded tub spout, connect to the valve with 1/2 inch pipe or 1/2 inch copper tubing with a threaded adapter. If installing a slip-fit tub spout, connect to the valve with only copper tubing – no threaded adapter is needed.

See step 4.3 for tub spout tube length.

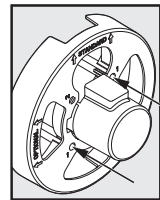


Shower Only

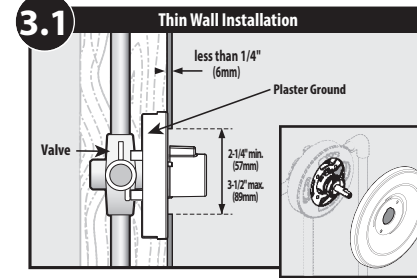
The center of the valve should be 45 inches to 48 inches above the shower stall floor. The shower arm should be placed 78 inches above shower stall floor (recommended installation of the shower arm is with a flanged elbow fitting – **not included** – and attached to a wood brace).

3. Installing Your Valve

Moen has provided a plaster ground attached to the valve to be used as an installation and alignment guide. The plaster ground comes attached to the valve in the standard configuration from the factory. The plaster ground may be configured in different ways to accommodate various installation needs and maximize the aesthetic look of the valve in the shower. The plaster ground may be left in place until the trim is installed in order to protect the valve from possible construction damage.



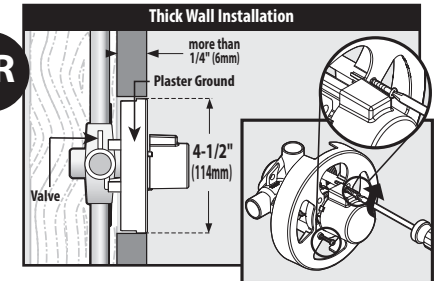
Plaster ground should be attached to valve using screw hole #1.



Thin Wall Installation: (Using the plaster ground to support the valve)

The thin wall installation method is used when the tub/shower wall is less than 1/4 inches thick (such as a fiberglass tub surround) and will be the main source of support for the valve. Installations of this type require the plaster ground to **remain attached** to the valve.

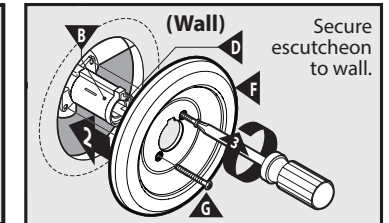
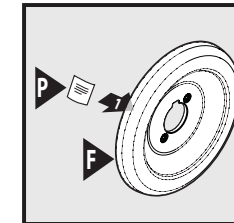
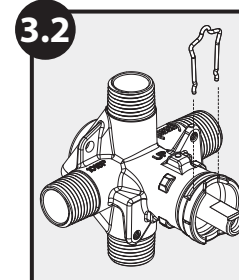
1. Drill a 2-1/4 inch to 3-1/2 inch diameter hole thru the wall in the location shown in the installation schematic. This hole will allow access to the valve but not the plaster ground.
2. Center the plaster ground / valve assembly behind the wall opening.
3. Attach the water connections to the valve.
4. Break off the plaster ground cap with a pair of pliers. Once the trim is installed, the wall will be "trapped" between the trim and the plaster ground.



Thick wall Installation: (Most installations)

The thick wall installation method is used when the tub/shower wall is greater than 1/4 inches thick. Thick walls are usually built up with materials such as cement board, drywall, tile etc. The plaster ground will aid with alignment and can remain attached to the valve until the valve has been positioned and secured.

1. Drill a 4-1/2 inch hole in the wall (the same size as the plaster ground) in the location shown in the installation schematic. This hole will help support the valve during installation and allow access for future servicing if necessary.
2. Position the plaster ground in the hole so that its printed face is flush with the finished wall. This will ensure that the valve will be at the proper height to accept the trim.
3. Mechanically secure the valve to the wall frame members by the use of straps (not included) or attaching the valve mounting holes to a cross member behind the valve through mounting tabs on the valve.
4. Attach the water connections to the valve.
5. Remove the plaster ground or break off the plaster ground cap and discard.



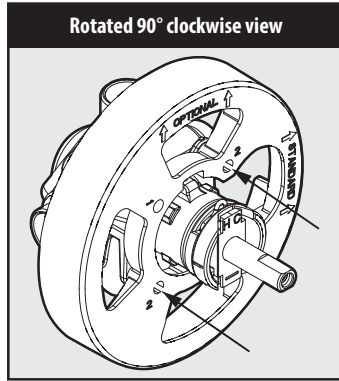
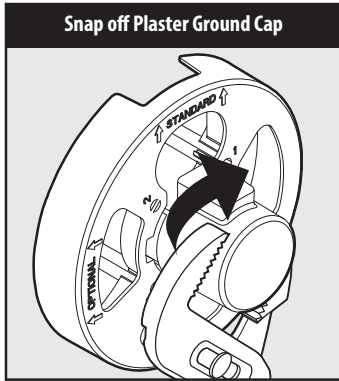
Ensure cartridge clip is installed prior to escutcheon installation. For a thin wall installation, the wall will be "trapped" between the plaster ground and the trim. The plaster ground may be discarded for thick wall installations. Once the valve is secured in place, remove the escutcheon screws (G). **Keep the escutcheon screws (G) for installation of the escutcheon (F).** Place product identification label (P) on back of escutcheon. Make sure wall is clean, place the escutcheon (F) over the stop tube (B) then re-install the screws (G). A gasket on the back of the escutcheon provides a seal against the wall.

Special instructions for shallow wall cavity installations:



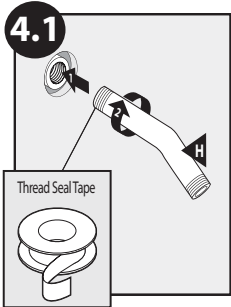
This plaster ground valve assembly variation should only be used when the wall cavity restricts the depth the valve may be placed in the wall. It can be used with either the thick wall installation when the back wall prevents the plaster ground printed face from coming flush to the finished wall or the thin wall installation where the plaster ground / valve assembly will not fit within the wall cavity.

Note: Installing the valve using this method will result in the handle extending into the shower area farther and exposing more of the valve.



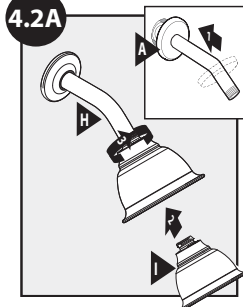
- To reconfigure the plaster ground / valve assembly for a shallow wall cavity installation:
1. Using a pair of pliers, remove the plaster ground cap by snapping it off.
 2. Remove the screw(s) holding the plaster ground to the valve.
 3. Remove the #2 hole covers by prying them out with a flat bladed screw driver or drilling them out with a 3/16" drill bit.
 4. Rotate the plaster ground 90° clockwise so that the arrows on either side of the word optional point upwards and reinstall the screws removed in step 2 into the holes marked 2.
 5. Install the plaster ground per the thick wall installation or thin wall installation method described earlier.

4. Installing Your Moen Tub/Shower Trim



Wrap thread seal tape around the threads of the shower arm (H) then screw the arm into the threaded connection in the wall.

If there is a rubber washer inside the threaded adapter on the showerhead, continue to step 4.2A. If there is no rubber washer, then proceed to step 4.2B.



4.2A Plastic Shower Ball
Seal around the shower arm hole with sealant (caulk) then slide shower flange (A) over shower arm (H). Remove any debris from the shower arm to ensure proper flow. Then, simply thread showerhead (I) onto shower arm (H).

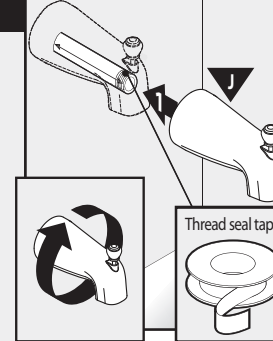
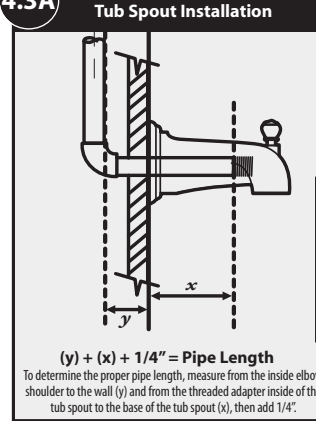
OR



4.2B Metal Shower Ball
Seal around the shower arm hole with sealant (caulk) then slide shower flange (A) over shower arm (H). Wrap thread seal tape around threads at bottom of shower arm (H). Remove any debris from the shower arm to ensure proper flow. Thread showerhead (I) onto shower arm (H).

Threaded Tub Spout Installation

4.3A Tub Spout Installation

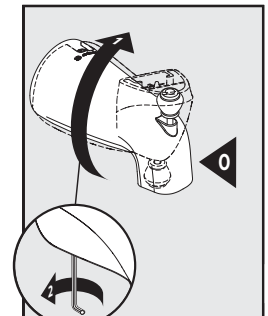
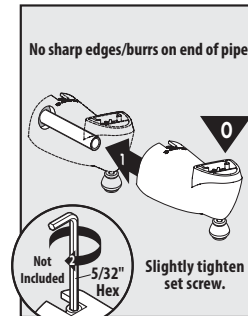
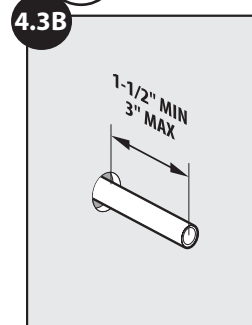


If this is a shower only installation, skip to step 4.4.

IPS (threaded) spouts are designed to screw onto a pipe with 1/2 inch male pipe threads. To determine the proper pipe length, measure from the inside elbow shoulder to the wall (y) and from the threaded adapter inside of the tub spout to the base of the tub spout (x), then add 1/4". Place thread seal tape and a sealant (plumbers putty or caulk) around the base of the pipe to prevent leaking behind the wall. Thread the tub spout onto the pipe until flush with the wall.

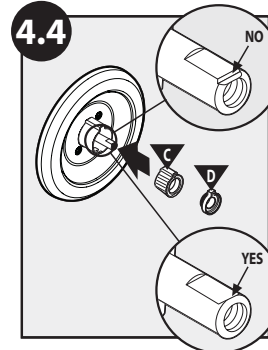
OR

Slip Fit Tub Spout Installation



Some models may feature a slip fit installation with no threaded adapter in the tub spout. For these installations, ensure 1/2" copper water tube is at least 1-1/2" min to 3" max for slip fit tub spout. Slip the tub spout onto pipe pointing up and slightly tighten the set screw. Rotate tub spout to final position and fully tighten set screw in place.

Cartridge Orientation



Now you are ready to attach the handle. Rotate cartridge stem so the notch at the end of the stem is facing down towards the drain. Insert the key stop (C) and the adjustable limit stop (D) into stop tube as shown.

Moen Lifetime Limited Warranty

Moen products have been manufactured under the highest standards of quality and workmanship. Moen warrants to the original consumer purchaser for as long as the original consumer purchaser owns their home (the "Warranty Period" for homeowners), that this faucet will be leak- and drip-free during normal use and all parts and finishes of this faucet will be free from defects in material and manufacturing workmanship. All other purchasers (including purchasers for industrial, commercial and business use) are warranted for a period of 5 years from the original date of purchase (the "Warranty Period" for non-homeowners).

If this faucet should ever develop a leak or drip during the Warranty Period, Moen will FREE OF CHARGE provide the parts necessary to put the faucet back in good working condition and will replace FREE OF CHARGE any part or finish that proves defective in material and manufacturing workmanship, under normal installation, use and service. Replacement parts may be obtained by calling 1-800-289-6636 (Canada 1-800-465-6130), or by writing to the address shown. Proof of purchase (original sales receipt) from the original consumer purchaser must accompany all warranty claims. Defects or damage caused by the use of other than genuine Moen parts is not covered by this warranty. This warranty is applicable only to faucets purchased after December, 1995 and shall be effective from the date of purchase as shown on purchaser's receipt.

This warranty is extensive in that it covers replacement of all defective parts and finishes. However, damage due to installation error, product abuse, product misuse, or use of cleaners containing abrasives, alcohol or other organic solvents, whether performed by a contractor, service company, or yourself, are excluded from this warranty. Moen will not be responsible for labor charges and/or damage incurred in installation, repair or replacement, nor for any indirect, incidental or consequential damages, losses, injury or costs of any nature relating to this faucet. Except as provided by law, this warranty is in lieu of and excludes all other warranties, conditions and guarantees, whether expressed or implied, statutory or otherwise, including without restriction those of merchantability or of fitness for use.

Some states, provinces and nations do not allow the exclusion or limitation of incidental or consequential damages, so the above limitations or exclusions may not apply to you. This warranty gives you specific legal rights and you may also have other rights which vary from state to state, province to province, nation to nation. Moen will advise you of the procedure to follow in making warranty claims. Simply write to Moen Incorporated using the address below. Explain the defect and include proof of purchase and your name, address, area code and telephone number.

Moen Incorporated
25300 Al Moen Drive, North Olmsted, Ohio 44070-8022 U.S.A.

Shower heads: Standard 9.5 L/min (2.5 gpm) max. and High Efficiency 7.6 L/min (2.0 gpm) max. or less

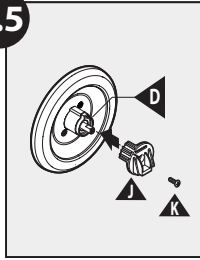
For use with automatic compensating valves rated at 5.7 L/min (1.5 gpm) or less

Automatic Compensating Valves:

Posi-Temp® and CFG®: For use with Showerheads rated at 5.7 L/min (1.5 gpm) or higher
ExactTemp® and ioDigital™: For use with Showerheads rated at 9.5 L/min (2.5 gpm) or higher
Moentrol®: For use with Showerheads rated at 4.9 L/min (1.3 gpm) or higher

Lever Handle Installation

4.5



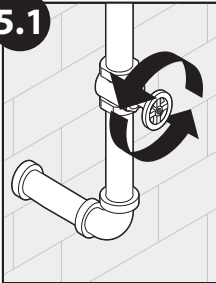
Attach the plastic handle adapter (J) to the cartridge stem using the 1/2 inch adapter screw (K). Make sure the ridges on the back of the adapter (J) are to the left of the tab on limit stop (D).



Place the lever (L) on the lever handle adapter.

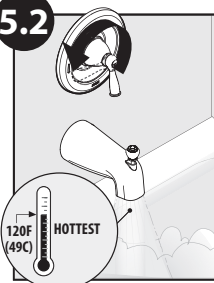
5. Setting The Temperature Limit Stop and Finishing Your Tub/Shower Installation

5.1



Turn on the hot and cold water supply to check for leaks and set temperature limit stop.

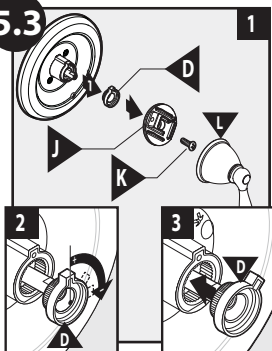
5.2



Rotate the lever counterclockwise until the water is to the maximum desired temperature, not to exceed 120 degrees F (49 degrees C). Seasonal maintenance of the maximum outlet temperature may be required due to changes in groundwater temperature.
TURN LEVER TO THE OFF POSITION ONCE THE TEMPERATURE IS SET.

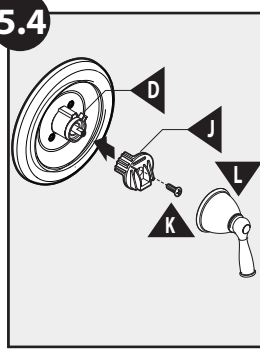
**If temperature exceeds 120 degrees, go to step 5.3.
If temperature is less than 120 degrees, go to step 5.4.**

5.3



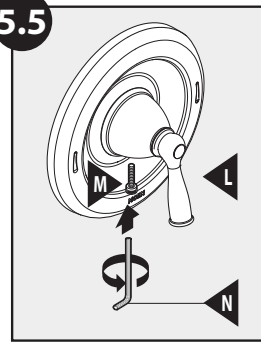
Remove the lever (L) and lever handle adapter (J). Note the position of the stop. Position the adjustable temperature limit stop (D) so the lever stops at that position. This prevents the lever from being turned into an unsafe temperature.

5.4



After setting the adjustable temperature limit stop to the desired position, reattach the lever handle adapter (J), adapter screw (K), and lever (L) – make sure ridges on back of (J) are to the left of the tab on (D).

5.5



Using 7/64 inches hex wrench (N), insert and tighten hex screw (M) into lever (L).



Buy it for looks. Buy it for life.®

Instrucciones para el cuidado

Para proteger el acabado de las partes metálicas de su mezcladora Moen, aplique una cera no abrasiva como una cera para automóviles. Cualquier limpiador debe ser enjuagado de inmediato.

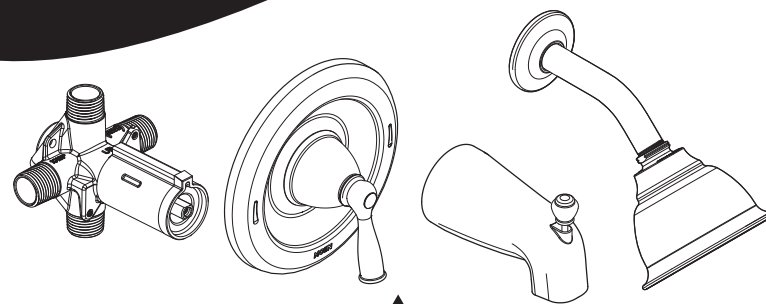
6. Guía de solución de problemas post-instalación

Problema	Posible causa	Para Diagnosticar	Remedio
Caliente/frío invertidos	Líneas invertidas/cartucho instalado cabeza abajo	Caliente/frío invertidos	Haga girar el vástago del cartucho 180° de modo que la muesca quede hacia abajo hacia el desagüe.
No hay agua/poco flujo	Uno o ambos suministros no está conectado a la unidad	No hay agua/poco flujo	Haga girar ambas válvulas de suministro en dirección contraria a las agujas del reloj a la posición abierto
Fuga o gotera del surtidor	Las arandelas no sellan correctamente	Fuga o gotera del surtidor	Reemplace el cartucho
Sólo caliente/no hay fría – sólo fría /no hay caliente	Carrete compensador atasgado	Sólo caliente/no hay fría – sólo fría /no hay caliente	Reemplace el cartucho
Apilamiento (sale agua de la regadera durante el modo de llenado de la tina)	Elección de la tubería/distancia entre la válvula y la regadera menor de 46" (117 cm)/múltiples codos/cualquier cosa que restrinja el flujo del agua que sale de la válvula	Sale agua del surtidor y de la regadera al mismo tiempo	Cambie la tubería a IPS o cobre/ mueva la distancia de la regadera a la válvula a por lo menos 46" (117 cm)/cambie o retire cualquier restricción
	Restricción de flujo entre la válvula y el surtidor de la tina	Sale agua del surtidor y de la regadera al mismo tiempo, causando una restricción	Retire el surtidor de la tina y enjuague cualquier basura – reemplace la línea o accesorios demasiado pequeños
	Válvula instalada patas arriba	Retire el cartucho y verifique que el agujero de salida esté en su ubicación correcta (debe estar hacia abajo). La palabra "Up" debe quedar en la parte de arriba de la válvula	Retire la válvula y vuelva a instalarla en la orientación correcta
Rango de temperatura restringido	El monomando (más comúnmente en los modelos de perilla) está instalado patas arriba	En posición cerrado, se puede girar el monomando tanto en dirección de las agujas del reloj como en dirección contraria a las agujas del reloj	Retire el monomando, haga girar 180°, vuelva a instalar
	El tope de límite de temperatura está fuera de posición	Retire el monomando y vea el paso 5.3	Coloque el top de temperatura en la posición de temperatura deseada
No se puede instalar el monomando/en monomando roza contra el chapetón	La válvula está instalada demasiado lejos de la pared terminada y el monomando no se puede instalar	No se instala el monomando	Póngase en contacto con Moen para solicitar ayuda.
Handle does not install	El vástago del cartucho es difícil de girar	Movimiento difícil del monomando	Reemplace el cartucho o lubrique

Si necesita más ayuda, póngase en contacto con Moen a:
 EEUU: 1-800-289-6636 o visite www.moen.com
 Canadá: 1-800-465-6130 o visite www.moen.ca

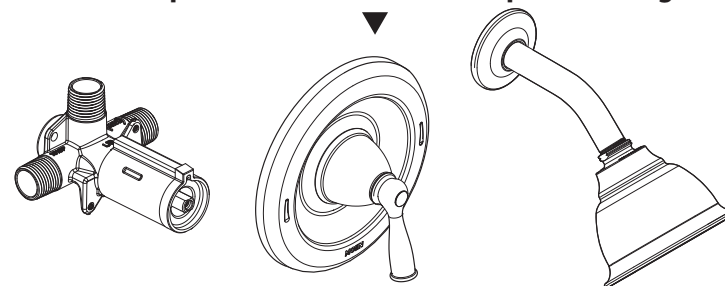


Buy it for looks. Buy it for life.®



Terminación para válvula monomando para tina/regadera

Terminación para válvula monomando para tina/regadera



Acabados en níquel cepillado Spot Resist™ y acero inoxidable Spot Resist™: Moen recomienda limpiar el acabado Spot Resist con un jabón suave, enjuagarlo cuidadosamente con agua tibia y secarlo con un paño limpio y suave. Nunca utilice limpiadores que contengan sustancias abrasivas (incluyendo las esponjas abrasivas o la lana de acero), amoníaco, blanqueadores o hipoclorito sódico, solventes orgánicos (por ejemplo alcoholes) u otros productos químicos fuertes (por ejemplo removedores de calcio y sarro) para limpiar el acabado Spot Resist, ya que pueden dañarlo. La inobservancia de estas instrucciones de limpieza podría anular la garantía de Moen.

Instrucciones para la instalación

Los estilos y piezas varían por el modelo.



INS2150D

Para obtener soporte bajo garantía

Número de modelo _____

Fecha de instalación _____

Gracias por elegir Moen

Por favor, contáctese primero con Moen
Para obtener ayuda de instalación, piezas faltantes o de recambio

USA
1-800-BUY-MOEN
1-800-289-6636

Lunes a viernes de 8:00 a 20:00 hs.
(Costa Este)

Sáb. 8:00 a 18:30 hs. (Costa Este)

www.moen.com

CANADA
1-800-465-6130

Lunes a viernes de 7:30 a.m. a 17:00 hs.
(Costa Este)t

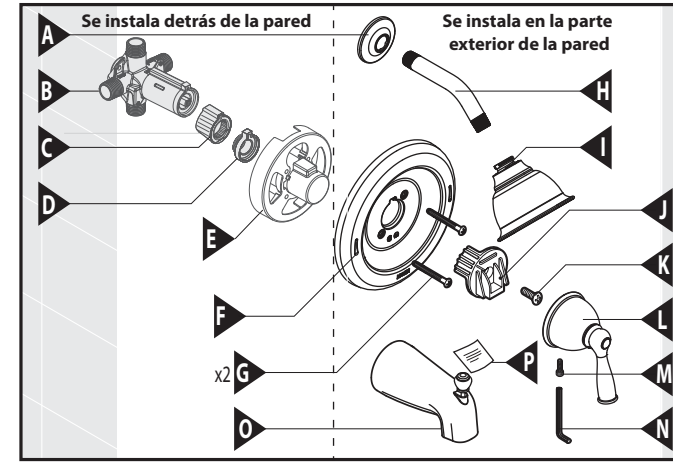
www.moen.ca

Índice

Piezas provistas para tina/regadera	E3
Piezas provistas para regadera solamente	E3
Variaciones de plomería empotrada	
Cobre	E4
IPS	E4
PEX	E5
CVPC	E5
Herramientas útiles	E4-E5
Esquema de instalación	E6
Instalación sobre pared fina/pared gruesa y plantilla de yeso	E6-E8
Instalación de la terminación	E8-E10
Ajuste del tope de límite de temperatura	E10
Garantía	E11
Instrucciones para el cuidado	E12
Guía de solución de problemas	E12

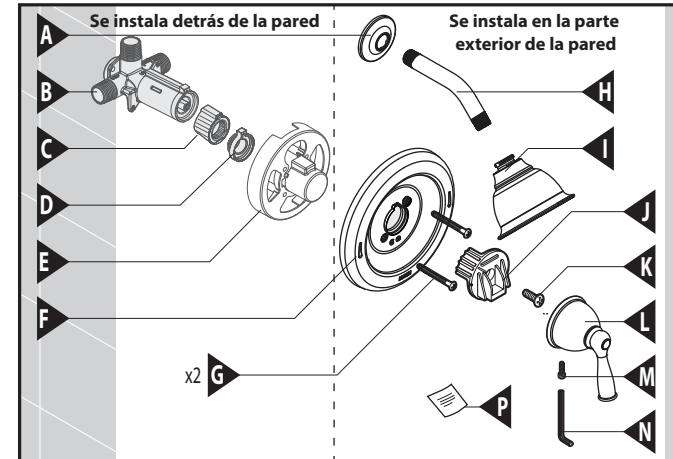
Visite Moen.com para consultar diagramas de piezas de productos específicos.
Los estilos y piezas varían por el modelo.

Piezas para tina/regadera provistas



- | | |
|--|--|
| A. Brida del brazo de la regadera | I. Regadera |
| B. Válvula y tubo de tope de 4 entradas | J. Adaptador del monomando de palanca |
| C. Tope de llave | K. Tornillo del adaptador (1/2") |
| D. Tope de límite de temperatura ajustable | L. Monomando de palanca |
| E. Plantilla de yeso | M. Tornillo hexagonal |
| F. Chapetón | N. Llave hexagonal de 7/64" |
| G. Tornillos del chapetón (2-3/16") | O. Surtidor de la tina |
| H. Brazo de la regadera | P. Etiqueta de identificación del producto |

Piezas provista de la regadera solamente



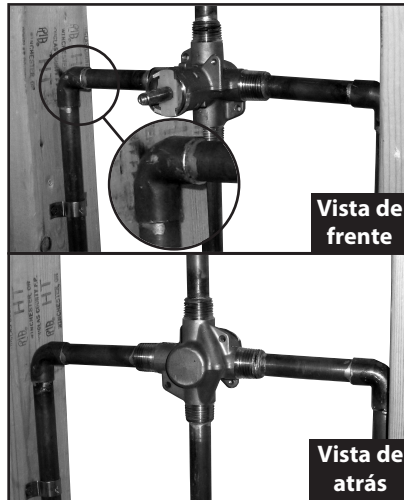
- | | |
|---|--|
| A. Piezas provista de la regadera solamente | I. Regadera |
| B. Válvula y tubo de tope de 3 entradas | J. Adaptador del monomando de palanca |
| C. Tope de llave | K. Tornillo del adaptador (1/2") |
| D. Tope de límite de temperatura ajustable | L. Monomando de palanca |
| E. Plantilla de yeso | M. Tornillo hexagonal |
| F. Chapetón | N. Llave hexagonal de 7/64" |
| G. Tornillos del chapetón (2-3/16") | P. Etiqueta de identificación del producto |
| H. Brazo de la regadera | |

Para instalar solamente la terminación, vaya al paso E8.

1. Para determinar su instalación de plomería empotrada existente

Si va a reemplazar su válvula sanitaria, consulte abajo para ver cuatro métodos comunes de plomería. **No se proveen accesorios** específicos para empotrar que puedan ser necesarios para la instalación. Retire el monomando y la terminación de la válvula existentes antes de reemplazarla. **Por favor, respete todos los códigos locales de construcción y plomería.**

Cobre

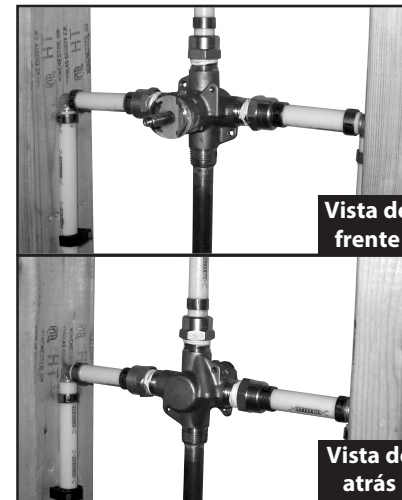


Herramientas útiles

Para que el cambio de la llave sea fácil y seguro, Moen le recomienda usar estas útiles herramientas.



PEX

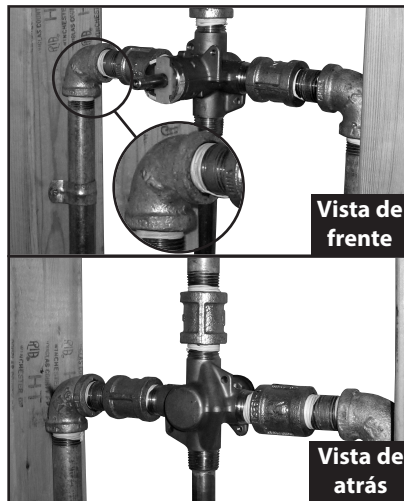


Herramientas útiles

Para que el cambio de la llave sea fácil y seguro, Moen le recomienda usar estas útiles herramientas.



IPS – (Tubo de hierro galvanizado/Conexiones roscadas)

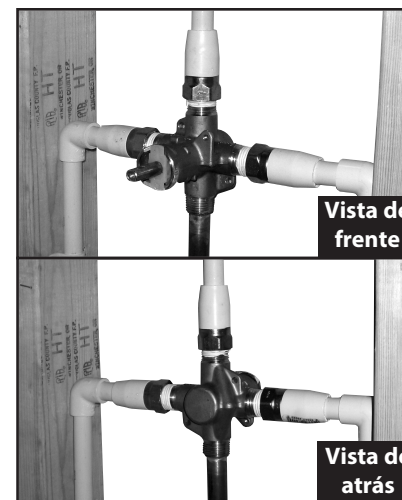


Herramientas útiles

Para que el cambio de la llave sea fácil y seguro, Moen le recomienda usar estas útiles herramientas.



CPVC



Herramientas útiles

Para que el cambio de la llave sea fácil y seguro, Moen le recomienda usar estas útiles herramientas.

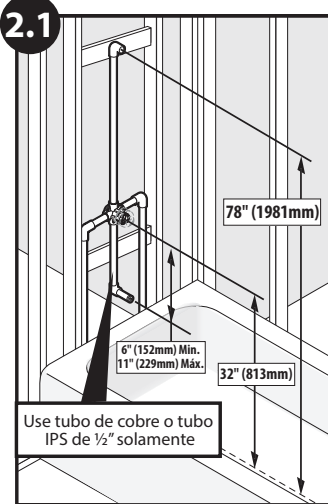


⚠ PRECAUCIÓN – CIERRE LA TOMA DE AGUA FRÍA Y CALIENTE ANTES DE QUITAR LA LLAVE EXISTENTE O DESMONTAR LA VÁLVULA. ABRA LA LLAVE PARA LIBERAR LA PRESIÓN, Y ASEGÚRESE DE QUE ESTÉ BIEN CERRADA EL AGUA.

⚠ PRECAUCIÓN – CIERRE LA TOMA DE AGUA FRÍA Y CALIENTE ANTES DE QUITAR LA LLAVE EXISTENTE O DESMONTAR LA VÁLVULA. ABRA LA LLAVE PARA LIBERAR LA PRESIÓN, Y ASEGÚRESE DE QUE ESTÉ BIEN CERRADA EL AGUA.

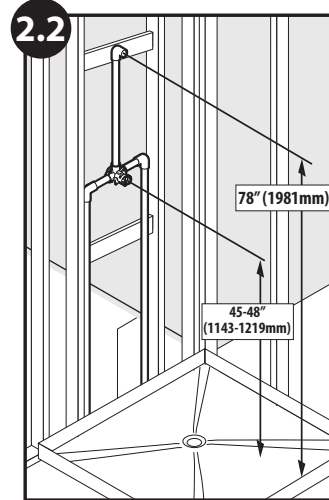
2. Esquema de instalación – Medidas para un desempeño ideal de la tina/regadera

La instalación de este producto con medidas no recomendadas puede llevar a problemas como pérdidas de agua de la regadera durante el modo de llenado de la tina.



Tina /regadera

Ubique el cuerpo de la válvula a 32 pulgadas (81.28 cm) del piso de la tina. El brazo de la regadera debe ser colocado a 78 pulgadas (198.12 cm) por encima del piso de la tina (la instalación recomendada del brazo de la regadera es con un accesorio de codo embridado – **no incluido** – y fijo a una ménsula de madera). El surtidor de la tina debe colocarse no menos de 6 pulgadas (15 cm) y no más de 11 pulgadas (27.5 cm) debajo de la válvula. Si se instala un surtidor de tina roscado, conéctelo a la válvula con tubo de 1/2" o con tubo de cobre de 1/2" con un adaptador roscado. Si se instala un surtidor de tina deslizable, conéctelo a la válvula con tubo de cobre solamente – no se necesita adaptador roscado. **Consulte el paso 4.3 para ver el largo del tubo del surtidor de la tina.**

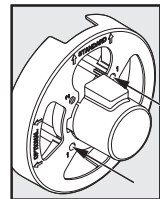


Regadera solamente

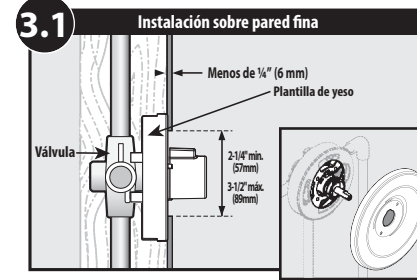
El centro de la válvula debe estar entre 45 y 48 pulgadas (114 cm y 122 cm) por encima del piso de la cabina de la regadera. El brazo de la regadera debe ser colocado a 78 pulgadas (198.12 cm) por encima del piso de la cabina (la instalación recomendada del brazo de la regadera es con un accesorio de codo embridado – **no incluido** – y fijo a una ménsula de madera).

3. Instalación de la válvula

Moen ha provisto una plantilla de yeso adherida a la válvula para ser utilizada como guía de instalación y alineación. La plantilla de yeso viene adherida a la válvula en la configuración estándar de fábrica. La plantilla de yeso puede ser configurada de distintas maneras para adaptarse a varias necesidades de instalación y maximizar el aspecto estético de la válvula en la regadera. La plantilla de yeso puede dejarse adherida hasta la instalación de la terminación para proteger la válvula de posibles daños durante la instalación.



La plantilla de yeso debe fijarse a la válvula usando el agujero para tornillo #1.

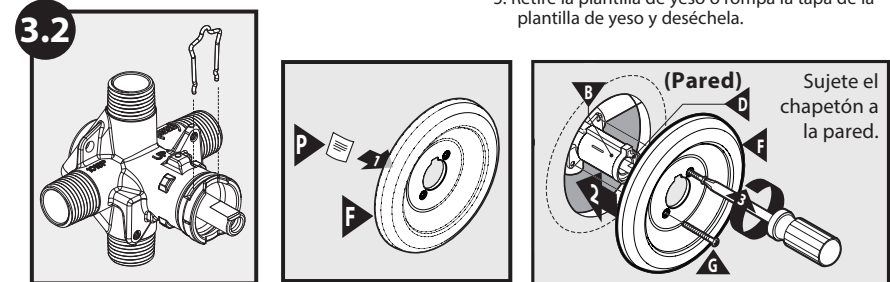


Instalación sobre pared fina:

(Usando la plantilla de yeso para soportar la válvula)

El método de instalación sobre pared fina se utiliza cuando la pared de la tina/regadera tiene menos de 1/4" de espesor (como en el caso de un cerramiento de fibra de vidrio) y será la forma de soporte principal de la válvula. Las instalaciones de este tipo requieren que la plantilla de yeso **permanezca adherida** a la válvula.

1. Perfore un agujero de 2-1/4" a 3-1/2" (5.715 cm a 8.255 cm) de diámetro a través de la pared en el sitio indicado en el esquema de instalación. Este agujero permitirá el acceso a la válvula pero no a la plantilla de yeso.
2. Centre el conjunto de la plantilla de yeso y la válvula detrás de la abertura en la pared.
3. Conecte las conexiones de agua a la válvula.
4. Rompa la tapa de la plantilla de yeso con unas pinzas. Una vez instalada la terminación, la pared quedará "atrapada" entre la terminación y la plantilla de yeso.



Asegúrese de que el clip del cartucho esté instalado antes de la instalación del chapetón. Para una instalación sobre pared fina, la pared quedará "atrapada" entre la plantilla de yeso y la terminación. La plantilla de yeso puede ser desechada para instalaciones sobre pared gruesa. Una vez que la válvula quede fija en su lugar, retire los tornillos del chapetón (G). **Conserve los tornillos del chapetón (G) para instalar el chapetón (F).** Coloque la etiqueta de identificación del producto (P) en la parte de atrás del chapetón. Asegúrese de que la pared esté limpia, coloque el chapetón (F) sobre el tubo de tope (B) y luego vuelva a instalar los tornillos (G). Un empaque en la parte de atrás del chapetón provee un sello contra la pared.

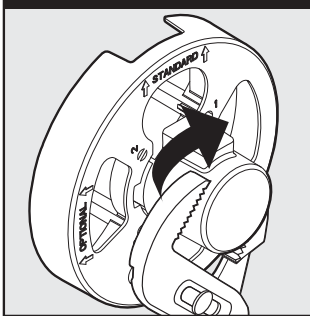
Instrucciones especiales para instalaciones en cavidades de pared poco profundas:



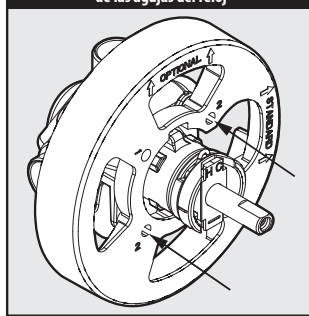
Esta variación del conjunto de válvula y plantilla de yeso debe ser utilizada solamente cuando la cavidad de la pared limita la profundidad a la que puede colocarse la válvula en la pared. Puede ser usada en la instalación sobre pared gruesa cuando la pared de atrás no permite que la cara impresa de la plantilla de yeso quede a ras de la pared terminada o en la instalación sobre pared fina cuando el conjunto de plantilla de yeso y válvula no quepa dentro de la cavidad en la pared.

Nota: La instalación de la válvula por este método hará que el monomando se extienda más hacia la zona de la regadera exponiendo más de la válvula.

Desprenda la tapa de la plantilla de yeso



Vista girada 90° en dirección de las agujas del reloj



Para reconfigurar el conjunto de la plantilla de yeso y la válvula para instalarlo en una cavidad de pared poco profunda:

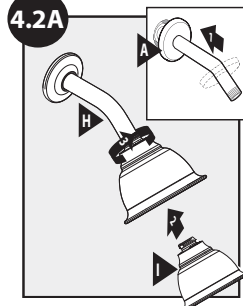
1. Con unas pinzas, retire la tapa de la plantilla de yeso desprendiéndola.
2. Retire el/los tornillo(s) que sujetan la plantilla de yeso a la válvula.
3. Retire las tapas de los tornillos #2 haciendo palanca con un destornillador de punta plana o perforándolos con una mecha de 3/16".
4. Haga girar la plantilla de yeso 90° en dirección de las agujas del reloj para que las flechas a cada lado de la palabra opcional apunten hacia arriba y vuelva a instalar los tornillos retirados en el paso 2 en los agujeros marcados 2.
5. Instale la plantilla de yeso según el método de instalación sobre pared gruesa o sobre pared fina descritos anteriormente.

4. Instalación de la terminación Moen para tina/regadera



Envuelva cinta para sellar roscas alrededor de las roscas del brazo de la regadera (H) y luego enrosque el brazo en la conexión roscada en la pared.

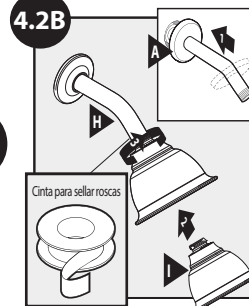
Si hay una arandela de caucho dentro del adaptador roscado en la regadera, continúe al paso 4.2A. Si no hay arandela de caucho, vaya al paso 4.2B.



4.2A Regadera con junta de bola plástica

Selle alrededor del brazo de la regadera con sellador (masilla) y luego deslice la brida de la regadera (A) sobre el brazo de la misma (H). Retire cualquier basura del brazo de la regadera para asegurar un flujo correcto. Luego simplemente enrosque la regadera (I) sobre el brazo de la regadera (H).

S8



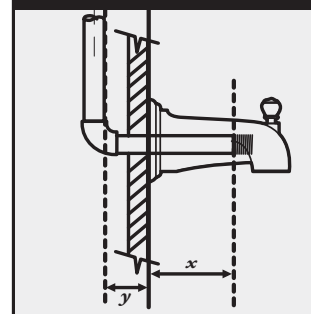
4.2B Regadera con junta de bola de metal

Selle alrededor del brazo de la regadera con sellador (masilla) y luego deslice la brida de la regadera (A) sobre el brazo de la misma (H). Envuelva cinta para sellar roscas alrededor de las roscas en la parte de abajo del brazo de la regadera (H). Retire cualquier basura del brazo de la regadera para asegurar un flujo correcto. Enrosque la regadera (I) sobre el brazo de la regadera (H).

Instalación del surtidor roscado de la tina

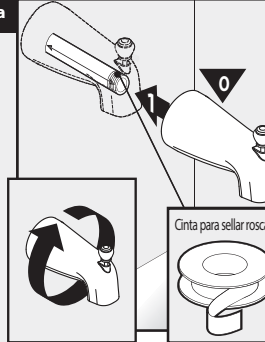
4.3A

Instalación del surtidor de la tina



$(y) + (x) + 1/4" = \text{Longitud del tubo}$

Para determinar la longitud correcta del tubo, mida desde la parte interior del codo hasta la pared (y) y desde el adaptador roscado dentro del surtidor de la tina hasta la base del mismo (x) y luego agregue 1/4".



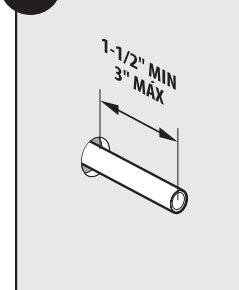
Cinta para sellar roscas

Si esta es una instalación de regadera solamente, vaya al paso 4.4. Los surtidores IPS (roscados) están diseñados para enroscar en un tubo de roscas macho de 1/2". Para determinar la longitud correcta del tubo, mida desde la parte interior del codo hasta la pared (y) y desde el adaptador roscado dentro del surtidor de la tina hasta la base del mismo (x) y luego agregue 1/4". Coloque cinta para sellar roscas alrededor de las roscas del tubo y un sellador (masilla de plomero) alrededor de la base del tubo para evitar pérdidas detrás de la pared. Enrosque el surtidor de la tina en el tubo hasta que quede a ras de la pared.

O

Instalación del surtidor de tina deslizable

4.3B



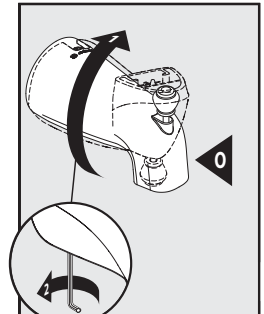
No dejar bordes afilados ni ásperos en el extremo del tubo



No incluido

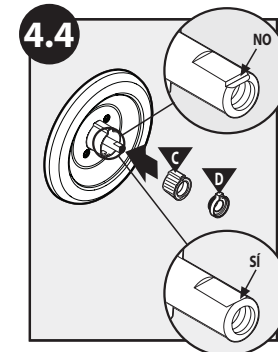
5/32" hexagonal

Apriete levemente el tornillo de fijación.



Algunos modelos presentan una instalación deslizable sin adaptador roscado en el surtidor de la tina. Para este tipo de instalaciones, asegúrese de que tubo de agua de cobre de 1/2" tenga por lo menos 1-1/2" mín. a 3" máx. para el surtidor deslizable. Deslice el surtidor de la tina sobre el tubo apuntando hacia arriba y apriete levemente el tornillo de fijación. Haga girar el surtidor de la tina a su posición final y apriete bien el tornillo de fijación en su lugar.

Orientación del cartucho

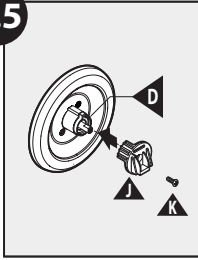


Ahora está listo para conectar el monomando. Haga girar el vástago del cartucho de modo que la muesca en el extremo del vástago mire hacia abajo hacia el desagüe. Inserte el tope de llave (C) y el tope de límite ajustable (D) dentro del tubo de tope como se indica.

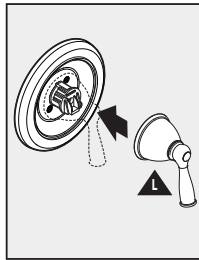
S9

Instalación del monomando de palanca

4.5



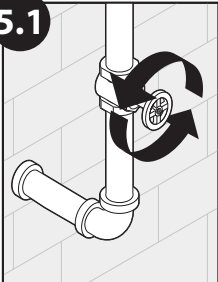
Conecte el adaptador plástico del monomando (J) al vástago del cartucho usando el tornillo del adaptador de 1/2" (K). Asegúrese de que los rebordes en la parte de atrás del adaptador (J) queden a la izquierda de la aleta del tope de límite (D).



Coloque la palanca (L) en el adaptador del monomando de palanca.

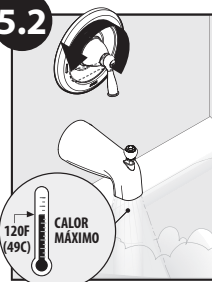
5. Ajuste del tope de límite de temperatura y finalización de la instalación de la tina/regadera

5.1



Abra el agua fría y caliente para verificar si hay pérdidas y ajustar el tope de límite de temperatura.

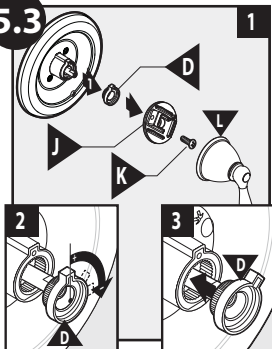
5.2



Haga girar la palanca en dirección contraria a las agujas del reloj hasta que el agua llegue a la temperatura máxima deseada, sin exceder los 120 grados F (49 grados C). Puede ser necesario un mantenimiento estacional de la temperatura máxima de salida debido a cambios en la temperatura del agua en los terrenos. **COLOQUE LA PALANCA EN POSICIÓN CERRADA UNA VEZ AJUSTADA LA TEMPERATURA.**

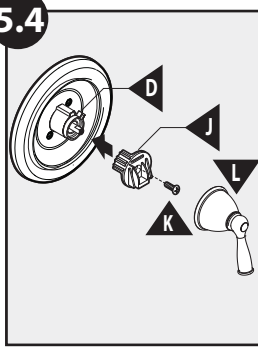
Si la temperatura excede los 120 grados, vaya al paso 5.3.
Si la temperatura es menor de 120 grados, vaya al paso 5.5.

5.3



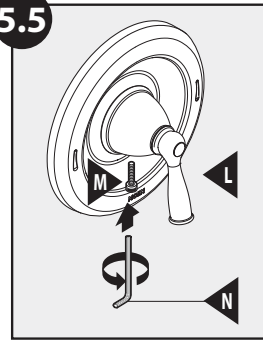
Retire la palanca (L) y el adaptador de monomando de palanca (J). Note la posición del tope. Coloque el tope de límite de temperatura ajustable (D) de modo que la palanca se detenga en esa posición. Esto evitará girar la palanca hasta una temperatura peligrosa.

5.4



Una vez colocado el tope de límite de temperatura ajustable en la posición deseada, vuelva a colocar el adaptador del monomando de palanca (J), el tornillo del adaptador (K), y la palanca (L) – asegurándose de que los rebordes en la parte de atrás de (J) queden a la izquierda de la aleta de la (D).

5.5



Con la llave hexagonal de 7/64" (N), inserte y apriete el tornillo hexagonal (M) en la palanca (L).

Moen Garantía Limitada De Por Vida

Los productos Moen han sido elaborados bajo las más estrictas normas de calidad y mano de obra. Moen garantiza al consumidor - comprador original durante el tiempo en que éste esté en posesión de su casa (el "Período de Garantía" del propietario), que esta mezcladora no presentará filtraciones ni goteo durante su uso normal y que ni las piezas ni el acabado de la misma presentarán defectos de material ni de fabricación. Cualquier otro comprador, (incluyendo aquellos que la adquieran para uso industrial, comercial y profesional) recibirá una garantía por un período de 5 años desde la fecha original de compra ("Período de Garantía" para los no propietarios).

En caso de que esta mezcladora comenzara a gotear o presentase pérdidas durante el Período de Garantía, Moen suministrará LIBRE DE CARGO las piezas necesarias para restaurar el buen funcionamiento de la misma y reemplazará LIBRE DE CARGO cualquier pieza o acabado que resulte ser defectuoso en cuanto a material y elaboración, en condiciones de instalación, uso y servicio normal. Las piezas de repuesto se pueden obtener llamando al 1-800-289-6636 (Canadá 1-800-465-6130), o escribiendo a la dirección indicada. El comprobante de compra (recibo original de la venta) del consumidor - comprador de origen debe acompañar todas las reclamaciones de garantía. Esta garantía no cubre defectos o daños ocasionados por el uso de piezas que no sean Moen genuinas. Esta garantía se extiende solamente a mezcladoras compradas después de Diciembre de 1995 y será efectiva desde la fecha de la compra indicada en el recibo del comprador.

Esta es una garantía amplia que cubre la reposición de todas las piezas y acabados defectuosos. Sin embargo, quedan excluidos de esta garantía los daños causados por un error de instalación, abuso del producto, mal uso del producto o el uso de limpiadores que contengan abrasivos, alcohol u otros solventes orgánicos, ya sean responsabilidad de un contratista, compañía de servicio o de Ud. mismo. Moen no se hará responsable de costos de mano de obra y/o daños producidos durante la instalación, reparación o reemplazo ni de cualquier daño incidental o consiguiente, pérdidas, heridas o costos de cualquier naturaleza relacionados con esta mezcladora. Salvo en los casos previstos por la ley, esta garantía reemplaza y excluye todas las otras garantías, condiciones y resguardos, ya sea expresos o implícitos, legales u otros, incluyendo sin restricción alguna aquellos de comercialización o aptitud para el uso.

Algunos estados, provincias y naciones no permiten la exclusión o limitación de daños incidentales o consiguientes, y por este motivo las limitaciones citadas pueden no afectarlo a Ud. Esta garantía le otorga derechos legales específicos y posiblemente tenga también otros derechos que varían de un estado a otro, de una provincia a otra, de una nación a otra. Moen le informará sobre el procedimiento a seguir cuando haga una reclamación bajo garantía. Simplemente escriba a Moen Incorporated a la dirección indicada a continuación. Explique el defecto e incluya la prueba de compra así como su nombre, dirección, código de área y número de teléfono.

Moen Incorporated
25300 Al Moen Drive, North Olmsted, Ohio 44070-8022 U.S.A.

Regaderas: Estándar 9.5 L/min. (2.5 gpm) máx. y Alta Eficiencia 7.6 L/min. (2.0 gpm) máx. o menos

Para usar con válvulas de compensación automáticas con capacidad nominal de 5.7 L/min (1.5 gpm) o menos

Válvulas de compensación automáticas:

Posi-Temp® y CFG®: Para usar con regaderas con capacidad nominal de 5.7 L/min (1.5 gpm) o más

ExactTemp® y ioDigital™: Para usar con regaderas con capacidad nominal de 9.5 L/min (2.5 gpm) o más

Moentrol®: Para usar con regaderas con capacidad nominal de 4.9 L/min (1.3 gpm) o más



Buy it for looks. Buy it for life.®

Directives d'entretien

Pour préserver le fini des pièces métalliques du robinet Moen, leur appliquer une cire non abrasive, telle qu'une cire pour voiture. Rincer immédiatement le robinet après l'avoir nettoyé, quel que soit le type d'agent nettoyant utilisé.

6. Après l'installation – Guide de dépannage

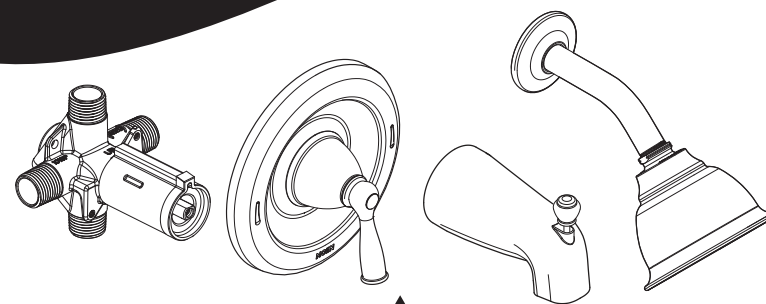
Problème	Cause Possible	Pour Diagnostiquer	Solution
Eau chaude/froide inversée	Les conduites sont inversées/la cartouche est installée à l'envers	Eau chaude/froide inversée	Faire pivoter la tige de la cartouche de 180° pour que l'encoche soit dirigée vers le drain.
Aucun débit/faible débit d'eau	Au moins une des deux conduites n'est pas ouverte sur l'unité	Aucun débit /faible débit d'eau	Faire tourner les deux soupapes d'alimentation en eau dans le sens antihoraire, à la position ouverte
Fuite ou égouttement du bec	Œillets non scellés correctement	Fuite/égouttement du bec	Remplacer la cartouche
Eau chaude ou froide seulement / aucune eau froide ou chaude	Bobine d'équilibrage coincée	Eau chaude ou froide seulement / aucune eau froide ou chaude	Remplacer la cartouche
Effet de colonne (l'eau sort de la pomme de douche durant le remplissage en mode baignoire)	Choix de tuyau/distance entre soupape et pomme de douche inférieure à 46 po/plusieurs coudes/tout ce qui pourrait limiter le débit de la soupape de sortie d'eau.	L'eau sort du bec et de la pomme de douche en même temps	Changer le tuyau pour un tuyau IPS ou en cuivre/l'espace entre la pomme de douche et la soupape doit être d'au moins 46 po/changer ou enlever tout ce qui fait obstacle
	Restriction du débit entre la soupape et le bec de baignoire	L'eau sort du bec et de la pomme de douche en même temps, causant une restriction	Enlever le bec de baignoire et rincer pour enlever les débris – remplacer conduite ou raccords trop petits
	La soupape est installée à l'envers	Enlever la cartouche et vérifier que le trou de sortie est au bon endroit (doit être vers le bas). Le mot « Up » est sur le dessus de la soupape.	Enlever la soupape et réinstaller dans le bon sens.
Plage de températures limitée	La poignée (plus fréquente dans les modèles à bouton) est installée à l'envers.	À la position fermée, on peut tourner la poignée dans les sens horaire et antihoraire	Enlever la poignée, la faire pivoter de 180°, la réinstaller
	Le limiteur de température n'est pas à la position appropriée	Enlever la poignée et voir l'étape 5.3	Positionner le limiteur de température à la position de température voulue
Impossible d'installer la poignée/poignée frotte sur la rosace	La soupape est installée trop loin derrière le mur fini. Impossible d'installer la poignée	Impossible d'installer la poignée	Contacter Moen pour obtenir de l'aide.
La poignée est difficile à tourner	La tige de la cartouche pivote difficilement.	Mouvement difficile de la poignée	Remplacer la cartouche ou lubrifier

Pour obtenir de l'aide, contacter Moen au :
 É.-U. : 1-800-289-6636 ou visiter le site www.moen.com
 Canada : 1-800-465-6130 ou visiter le site www.moen.ca



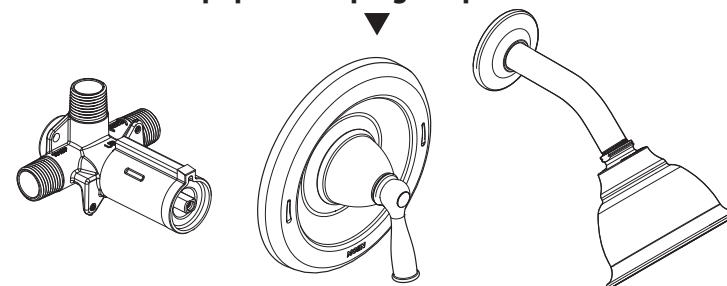
Buy it for looks. Buy it for life.®

INS2150D - 8/15 ©2015 Moen Incorporated www.moen.com



Garniture de soupape de douche/baignoire à une poignée

Garniture de soupape à une poignée pour douche seulement



Fini inoxydable Spot Resist™ et fini nickel broissé Spot Resist™ :
 Moen recommande de nettoyer le fini Spot Resist avec du savon doux puis de rincer soigneusement à l'eau tiède avant d'essuyer avec un chiffon doux propre. Ne jamais utiliser de produits de nettoyage contenant des abrasifs (y compris éponges abrasives ou laine de verre), ammoniaque, eau de javel ou hypochlorite de sodium, solvants organiques (par ex. alcool) ou autres produits chimiques durs (par ex. produits pour enlever le tartre) pour nettoyer le fini Spot Resist car ils peuvent endommager le fini. Ne pas respecter ces instructions sur le nettoyage peut annuler la garantie de Moen.

Directives d'installation

Les styles et les pièces peuvent varier selon le modèle choisi.



INS2150D

Pour obtenir un soutien de garantie

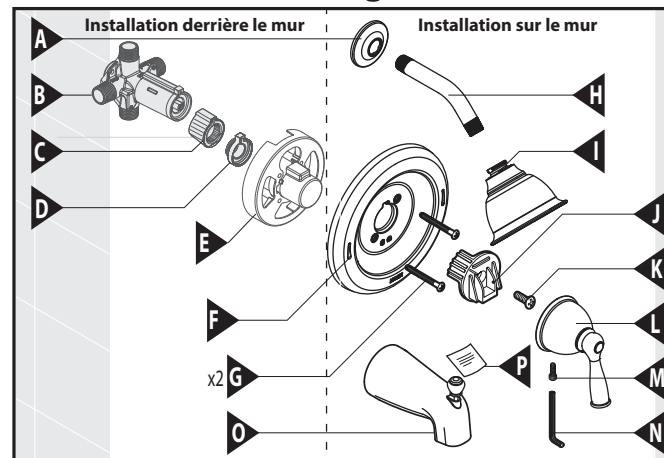
Numéro de modèle _____

Date d'installation _____

Nous vous remercions d'avoir choisi Moen.

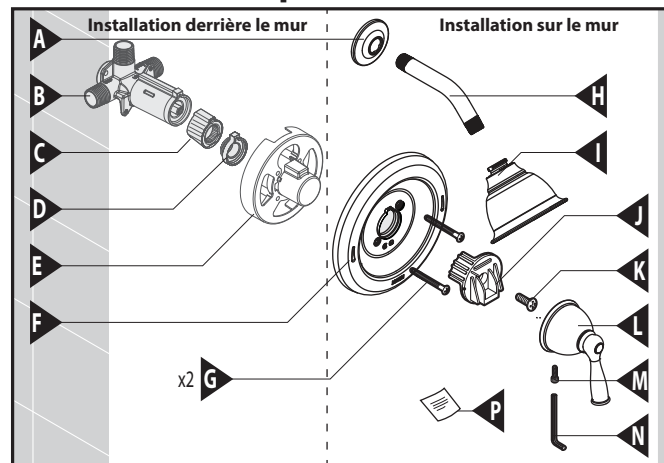
Visiter Moen.com pour obtenir les diagrammes de pièces particulières du produit.
Les styles et les pièces peuvent varier selon le modèle choisi.

Pièces de douche/baignoire fournies



- | | |
|--|---|
| A. Bride de bras de douche | I. Pomme de douche |
| B. Soupape à 4 orifices et tube d'arrêt | J. Adaptateur de poignée à levier |
| C. Butée-clé | K. Vis d'adaptateur (1/2 po) |
| D. Limiteur de température réglable | L. Poignée à levier |
| E. Arrêt d'enduit | M. Vis à tête hexagonale |
| F. Rosace | N. Clé hexagonale de 7/64 po |
| G. Vis de rosace (2 3/16 po) | O. Bec de baignoire |
| H. Bras de douche | P. Étiquette d'identification de produit |

Pièces fournies pour douche seulement



- | | |
|--|---|
| A. Bride de bras de douche | I. Pomme de douche |
| B. Soupape à 4 orifices et tube d'arrêt | J. Adaptateur de poignée à levier |
| C. Butée-clé | K. Vis d'adaptateur (1/2 po) |
| D. Limiteur de température réglable | L. Poignée à levier |
| E. Arrêt d'enduit | M. Vis à tête hexagonale |
| F. Rosace | N. Clé hexagonale de 7/64 po |
| G. Vis de rosace (2 3/16 po) | P. Étiquette d'identification de produit |
| H. Bras de douche | |

Pour la garniture seulement, veuillez passer à l'étape E8.

Veillez d'abord contacter Moen
En cas de problèmes avec l'installation, ou pour obtenir toute pièce manquante ou de rechange

<p>É.-U. :</p> <p>1-800-BUY-MOEN 1-800-289-6636</p> <p>Du lundi au vendredi : De 8 h à 20 h (HE) Samedi : De 9 h à 17 h 30 (HE)</p> <p>www.moen.com</p>	<p>CANADA</p> <p>1-800-465-6130</p> <p>Du lundi au vendredi : De 7 h 30 à 17 h (HE)</p> <p>www.moen.ca</p>
--	--

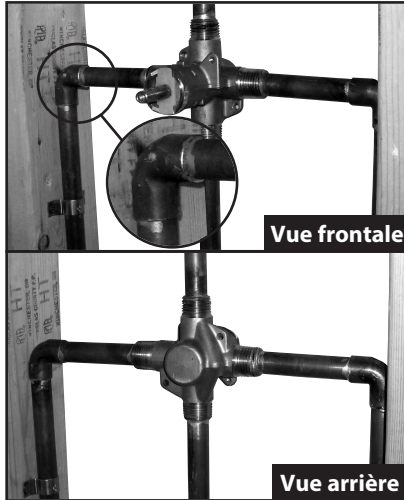
Table des matières

Pièces de douche/de baignoire fournies	E3
Pièces fournies pour douche seulement	E3
Modèles de plomberie brute	
Cuivre	E4
IPS	E4
PEX	E5
PVC-C	E5
Outils utiles	E4-E5
Schéma d'installation.....	E6
Installations pour mur mince, épais ou en plâtre	E6-E8
Installation de la garniture	E8-E10
Définition du limiteur de température	E10
Garantie	E11
Directives d'entretien	E12
Guide de dépannage	E12

1. Détermination du type d'installation de la plomberie brute existante

Avant de remplacer la soupape de plomberie, voir ci-dessous les quatre modèles de plomberie les plus courants. Les raccords de plomberie brute qui leur sont propres ne sont **pas fournis**. Ils seront peut-être nécessaires à l'installation. Enlever la poignée et la garniture de soupape existantes avant de remplacer votre soupape. **Veillez vous conformer aux codes de plomberie et de construction locaux.**

Cuivre



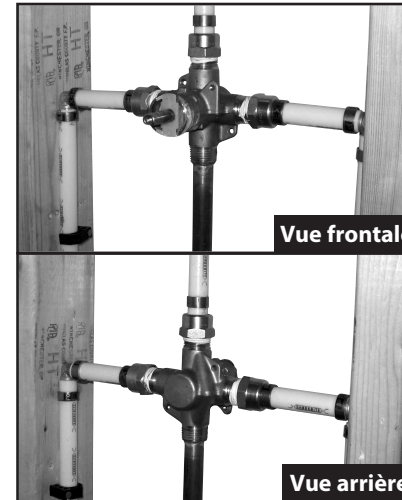
Outils utiles
Pour votre sécurité et faciliter l'installation, Moen suggère l'utilisation des outils suivants.

- Lunettes de sécurité
- Ruban à mesurer
- Chalumeau
- Brosse métallique
- Tournevis à pointe cruciforme
- Coupe-tube
- Trousse de soudure sans plomb
- Thermomètre
- Ruban pour joints filetés
- Clé anglaise
- Pâte à joints
- Lampe de poche
- Scie à guichet

Remarque :

La configuration de votre installation détermine si des tuyaux et raccords de tuyau supplémentaires sont requis.

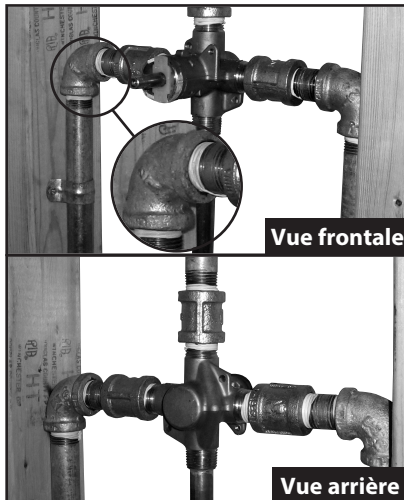
PEX



Outils utiles
Pour votre sécurité et faciliter l'installation, Moen suggère l'utilisation des outils suivants.

- Lunettes de sécurité
- Ruban à mesurer
- Pâte à joints
- Clé anglaise
- Ruban pour joints filetés
- Tournevis à pointe cruciforme
- Pince à sertir circulaire
- Thermomètre
- Coupe-tube
- Lampe de poche
- Scie à guichet

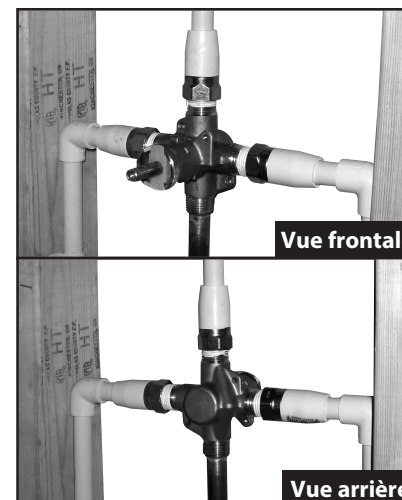
IPS – (tuyau en acier galvanisé/raccords filetés)



Outils utiles
Pour votre sécurité et faciliter l'installation, Moen suggère l'utilisation des outils suivants.

- Lunettes de sécurité
- Ruban à mesurer
- Pâte à joints
- Clé anglaise
- Ruban pour joints filetés
- Tournevis à pointe cruciforme
- Clé anglaise
- Thermomètre
- Lampe de poche

PVC-C



Outils utiles
Pour votre sécurité et faciliter l'installation, Moen suggère l'utilisation des outils suivants.

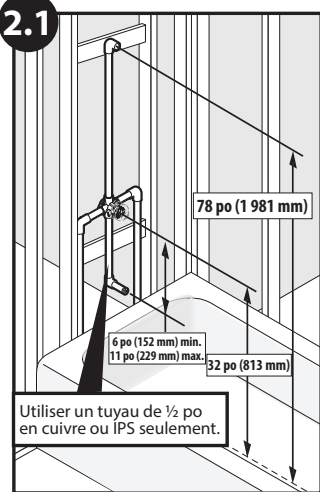
- Lunettes de sécurité
- Ruban à mesurer
- Pâte à joints
- Clé anglaise
- Ruban pour joints filetés
- Tournevis à pointe cruciforme
- Ciment à PVC-C
- Thermomètre
- Coupe-tube
- Lampe de poche
- Scie à guichet

⚠ MISE EN GARDE – COUPER L'ALIMENTATION EN EAU FROIDE ET EN EAU CHAUDE AVANT D'ENLEVER LE ROBINET EXISTANT OU DE DÉMONTER LA SOUPAPE EXISTANTE. OUVRIR LE ROBINET POUR ÉLIMINER LA PRESSION D'EAU ET VOUS ASSURER QUE L'ALIMENTATION EN EAU A ÉTÉ COMPLÈTEMENT COUPEE.

⚠ MISE EN GARDE – COUPER L'ALIMENTATION EN EAU FROIDE ET EN EAU CHAUDE AVANT D'ENLEVER LE ROBINET EXISTANT OU DE DÉMONTER LA SOUPAPE EXISTANTE. OUVRIR LE ROBINET POUR ÉLIMINER LA PRESSION D'EAU ET VOUS ASSURER QUE L'ALIMENTATION EN EAU A ÉTÉ COMPLÈTEMENT COUPEE.

2. Schéma d'installation - Mesures pour un rendement idéal de la douche/baignoire

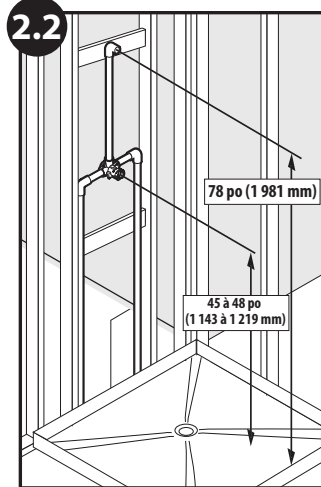
Le fait d'installer ce produit sans respecter les mesures recommandées peut causer des problèmes, comme l'écoulement de l'eau par la pomme de douche durant le mode de remplissage de la baignoire.



Douche/Baignoire

Placer le corps de la soupape à 32 po du plancher ou du fond de la baignoire. Le bras de douche doit être placé à 78 po au-dessus du fond de la baignoire (l'installation recommandée du bras de douche comporte un raccord de coude à bride – **non inclus** – et fixé à un support de bois). Le bec de la baignoire doit être positionné au minimum à 6 po et au maximum à 11 po sous la soupape. Pour installer un bec de baignoire fileté, le raccorder à la soupape à l'aide d'un tuyau de 1/2 po ou d'un tube en cuivre de 1/2 po doté d'un adaptateur fileté. Pour installer un bec de baignoire à glissement rapide, le raccorder à la soupape uniquement à l'aide d'un tube en cuivre – aucun adaptateur fileté requis.

Voir étape 4.3 pour connaître la longueur du tube de bec de baignoire.

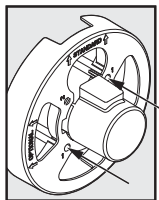


Douche seulement

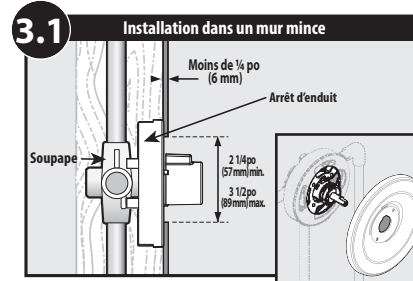
Le centre de la soupape doit être situé de 45 à 48 po au-dessus du plancher de la douche. Le bras de douche doit être placé à 78 po au-dessus du plancher de la douche (l'installation recommandée du bras de douche comporte un raccord de coude à bride – **non inclus** – et fixé à un support de bois).

3. Installation de la soupape

Moen a fourni un arrêt d'enduit fixé à la soupape à utiliser pour servir de guide d'installation et d'alignement. L'arrêt d'enduit est fixé à la soupape selon la configuration standard de l'usine. L'arrêt d'enduit peut être configuré de différentes façons pour s'adapter à divers besoins d'installation et optimiser l'apparence esthétique de la soupape dans la douche. L'arrêt d'enduit peut être laissé en place jusqu'à ce que la garniture soit installée afin de protéger la soupape contre tous dommages de construction possibles.



L'arrêt d'enduit doit être fixé à la soupape dans le trou de vis no 1.

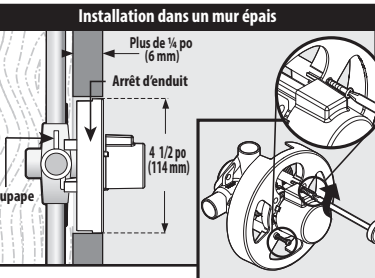
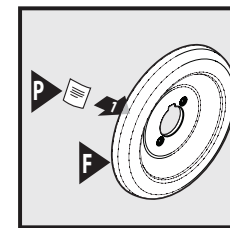
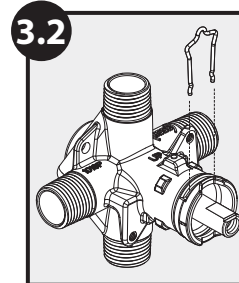


Installation dans un mur mince :

(Utiliser l'arrêt d'enduit pour soutenir la soupape)

La méthode d'installation dans un mur mince est utilisée lorsque l'épaisseur du mur de la douche/baignoire est inférieure à 1/4 po (comme dans le cas des cabines de baignoire en fibre de verre) et que ce mur constituera le support principal de la soupape. Pour des installations de ce type, l'arrêt d'enduit doit **rester fixé** à la soupape.

1. Percer un trou de 2 1/4 à 3 1/2 po de diamètre dans le mur, à l'endroit illustré dans le schéma d'installation. Ce trou donne accès à la soupape, mais non à l'arrêt d'enduit.
2. Centrer l'arrêt d'enduit / l'assemblage de soupape derrière l'ouverture du mur.
3. Fixer les raccords d'alimentation en eau sur la soupape.
4. Casser le capuchon de l'arrêt d'enduit à l'aide de pinces. Lorsque la garniture est installée, le mur se trouve « emprisonné » entre la garniture et l'arrêt d'enduit.

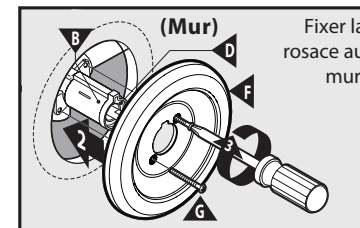


Installation dans un mur épais :

(La plupart des installations)

La méthode d'installation dans un mur épais est utilisée lorsque l'épaisseur des parois de la douche/baignoire est supérieure à 1/4 po. Les murs épais sont normalement fabriqués à partir de matériaux comme les panneaux de ciment, la cloison sèche, le carrelage, etc. L'arrêt d'enduit sert à l'alignement et peut rester fixé à la soupape jusqu'à ce qu'elle soit bien positionnée et fixée.

1. Percer un trou de 4 1/2 po dans le mur (de la même taille que l'arrêt d'enduit) à l'emplacement illustré dans le schéma d'installation. Ce trou aidera à soutenir la soupape durant l'installation et y donne accès si une réparation devient éventuellement nécessaire.
2. Placer l'arrêt d'enduit dans le trou pour que sa surface imprimée soit de niveau avec le mur fini. Ainsi, la soupape sera placée à la bonne hauteur pour y installer ensuite la garniture.
3. Fixer la soupape mécaniquement aux montants de la charpente de cloison en utilisant des courroies (non incluses) ou en fixant les trous de montage de soupape à une traverse derrière la soupape par le biais d'onglets de montage sur la soupape.
4. Fixer les raccords d'alimentation en eau sur la soupape.
5. Enlever l'arrêt d'enduit ou casser le capuchon de l'arrêt d'enduit et le jeter.



Vous assurer que l'étrier de la cartouche est installé avant d'installer la rosace. Pour l'installation dans un mur mince, le mur sera « emprisonné » entre la garniture et l'arrêt d'enduit. L'arrêt d'enduit peut être jeté pour l'installation dans un mur épais. Lorsque la soupape est bien fixée, enlever les vis de rosace (G). **Garder les vis de rosace (G) pour l'installation de la rosace (F).** Placer l'étiquette d'identification du produit (P) au dos de la rosace. S'assurer que le mur est propre, placer la rosace (F) sur le tube d'arrêt (B), puis réinstaller les vis (G). Un joint d'étanchéité situé au dos de la rosace fournit l'étanchéité nécessaire au mur.

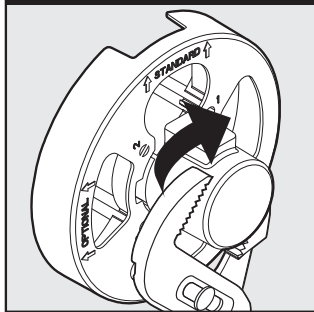
Directives spéciales pour les installations dans des ouvertures murales peu profondes :



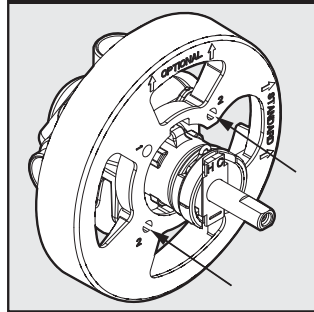
Cette variante d'assemblage de soupape avec arrêt d'enduit ne doit être utilisée que lorsque l'ouverture murale limite la profondeur à laquelle la soupape peut être placée dans le mur. Elle peut être utilisée dans le cas d'une installation dans un mur épais où l'arrière mur empêche la surface imprimée de l'arrêt d'enduit d'être de niveau avec le mur fini, ou dans le cas d'une installation dans un mur mince lorsque l'arrêt d'enduit / l'assemblage de soupape n'entre pas dans la cavité murale.

Remarque : L'installation de la soupape à l'aide de cette méthode fera en sorte que la poignée sera davantage sortie du mur dans la zone de douche, exposant ainsi davantage la soupape.

Casser le capuchon de l'arrêt d'enduit



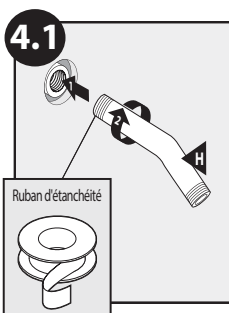
Rotation de l'illustration à 90° dans le sens horaire



Pour reconfigurer la position de l'arrêt d'enduit/l'assemblage de soupape pour une installation dans une cavité murale peu profonde :

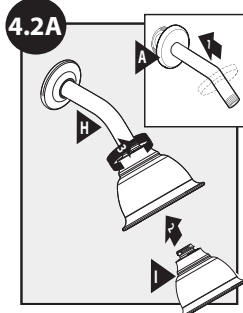
1. À l'aide de pinces, enlever le capuchon de l'arrêt d'enduit en le cassant.
2. Enlever la ou les vis retenant l'arrêt d'enduit à la soupape.
3. Enlever les couvercles du trou no 2 en les soulevant à l'aide d'un tournevis à lame plate ou à l'aide d'une mèche de 3/16 po.
4. Faire pivoter l'arrêt d'enduit de 90° dans le sens horaire pour que les flèches de chaque côté du mot **optional** pointent vers le haut et replacer les vis retirées à l'étape 2 dans les trous marqués « 2 ».
5. Installer l'arrêt d'enduit selon la méthode d'installation dans un mur épais ou dans un mur mince décrite plus haut.

4. Installation de la garniture de douche/baignoire Moen



Envelopper de ruban d'étanchéité pour joints filetés les filetages du bras de douche (H), puis visser le bras dans le raccord fileté du mur.

S'il y a une rondelle en caoutchouc dans l'adaptateur fileté de la pomme de douche, passer à l'étape 4.2A. S'il n'y a pas de rondelle en caoutchouc, passer à l'étape 4.2B.



4.2A Sphère de douche en plastique
Sceller le pourtour de l'orifice du bras de douche avec un agent scellant (cafeutrage), puis faire glisser la bride de douche (A) sur le bras de douche (H). S'assurer que le bras de douche ne contient aucun débris qui risque de ralentir le débit. Puis, visser simplement la pomme de douche (I) sur le bras de douche (H).

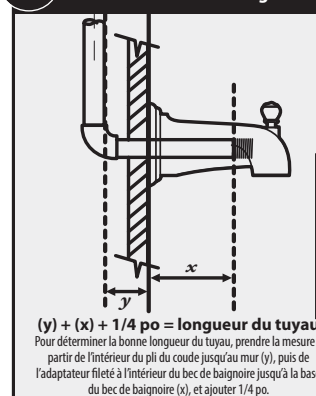
F8



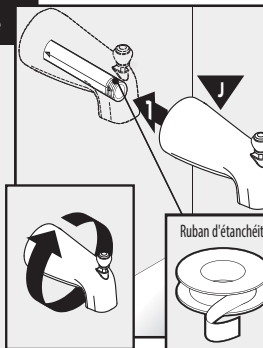
4.2B Sphère de douche métallique
Sceller le pourtour de l'orifice du bras de douche avec un agent scellant (cafeutrage), puis faire glisser la bride de douche (A) sur le bras de douche (H). Envelopper de ruban d'étanchéité pour joints filetés les filetages du bas du bras de douche (H). S'assurer que le bras de douche ne contient aucun débris qui risque de ralentir le débit. Visser la pomme de douche (I) sur le bras de douche (H).

Installation d'un bec de baignoire fileté

4.3A Installation du bec de baignoire



(y) + (x) + 1/4 po = longueur du tuyau
Pour déterminer la bonne longueur du tuyau, prendre la mesure à partir de l'intérieur du pli du coude jusqu'au mur (y), puis de l'adaptateur fileté à l'intérieur du bec de baignoire jusqu'à la base du bec de baignoire (x), et ajouter 1/4 po.

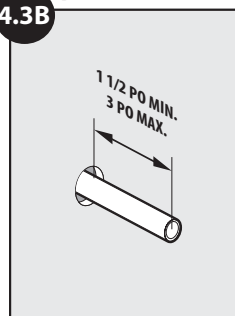


S'il s'agit de l'installation pour douche seulement, passer à l'étape 4.4.

Les becs IPS (filetés) sont conçus pour se visser sur un tuyau avec filetages de tuyau mâle de 1/2 po. Pour déterminer la bonne longueur du tuyau, prendre la mesure à partir de l'intérieur du pli du coude jusqu'au mur (y), puis de l'adaptateur fileté à l'intérieur du bec de baignoire jusqu'à la base du bec de baignoire (x), puis ajouter 1/4 po. Placer le ruban d'étanchéité fileté autour du filetage du tuyau et un agent scellant (mastic de plombier ou cafeutrage) autour de la base du tuyau pour prévenir les fuites derrière le mur. Visser le bec de baignoire sur le tuyau jusqu'à ce qu'il soit de niveau avec le mur.

OU Installation d'un bec de baignoire à glissement rapide

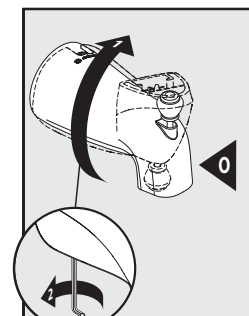
4.3B



Aucune arête vive ni bavure à l'extrémité du tuyau.

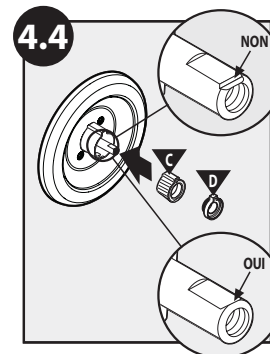


Serrer légèrement la vis de pression.



Certains modèles peuvent offrir une installation à glissement rapide, sans adaptateur fileté dans le bec de baignoire. Pour ce genre d'installation, s'assurer que le tube d'eau en cuivre de 1/2 po est de 1 1/2 po à 3 po pour un bec de baignoire type à glissement. Faire glisser le bec de baignoire sur le tuyau en orientant le bec vers le haut, puis serrer légèrement la vis de pression. Faire pivoter le bec de baignoire à sa position finale, puis serrer complètement la vis de pression bien en place.

Orientation de la cartouche

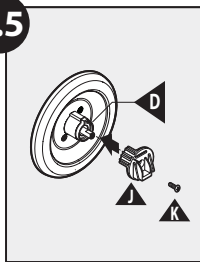


Maintenant, vous êtes prêt à installer la poignée. Faire pivoter la tige de la cartouche pour que l'encoche à l'extrémité de la tige soit orientée vers le bas, en direction du drain. Insérer la clé de butée (C), puis le limiteur réglable (D) dans le tube d'arrêt, comme illustré.

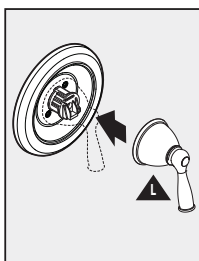
F9

Installation de poignée à levier

4.5



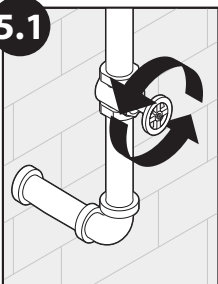
Fixer l'adaptateur de poignée (J) sur la tige de la cartouche en utilisant la vis d'adaptateur de 1/2 po (K). Vous assurer que les rainures au dos de l'adaptateur (J) sont à gauche de l'onglet sur le limiteur (D).



Placer le levier (L) sur l'adaptateur de poignée à levier.

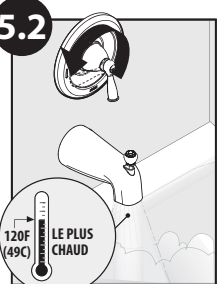
5. Réglage du limiteur de température et finalisation de l'installation de la douche/baignoire

5.1



Ouvrir l'alimentation en eau chaude et en eau froide pour décèler la présence de toute fuite et régler le limiteur de température.

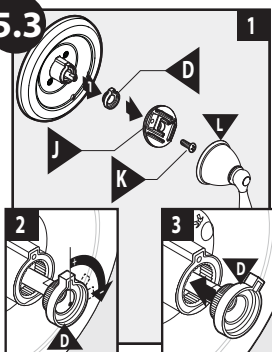
5.2



Tourner le levier dans le sens contraire des aiguilles d'une montre jusqu'à ce que la température maximale désirée soit atteinte - ne pas dépasser 49 oC (120 oF). Le réglage saisonnier de la température maximale de sortie pourrait être requis vu le changement de la température de l'eau souterraine. **FAIRE PIVOTER LE LEVIER VERS LA POSITION FERMÉE UNE FOIS RÉGLÉE LA TEMPÉRATURE DÉSIRÉE.**

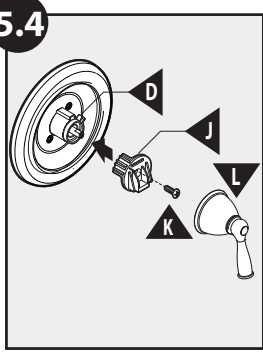
**Si la température dépasse 49 oC, passer à l'étape 5.3.
Si la température est inférieure à 49 oC, passer à l'étape 5.5.**

5.3



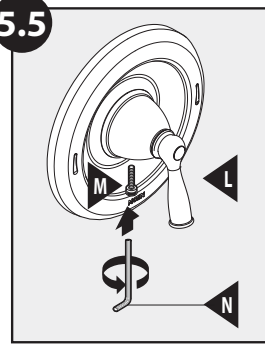
Enlever le levier (L) et l'adaptateur de poignée à levier (J). Noter la position du limiteur. Placer à cet endroit le limiteur de température réglable (D) pour que ce soit le point de pivotement maximum du levier. De cette façon, il ne sera pas possible de tourner le levier jusqu'à une température trop élevée.

5.4



Après avoir réglé le limiteur de température à la position voulue, fixer de nouveau l'adaptateur de poignée à levier (J), la vis d'adaptateur (K), puis le levier (L) – vous assurer que les rainures au dos de (J) sont placées à gauche de l'onglet sur (D).

5.5



À l'aide d'une clé hexagonale de 7/64 po (N), insérer et serrer la vis à tête hexagonale (M) dans le levier (L).

Garantie à vie limitée Moen

Les produits Moen ont été fabriqués selon les normes de qualité et de main-d'œuvre les plus élevées. Moen garantit à la personne ayant acheté le robinet originalement, aussi longtemps qu'elle est propriétaire du domicile où a été installé le robinet (la « Période de garantie » pour propriétaires), que ce robinet sera libre de toute fuite ou d'égouttement pendant son usage normal et que toutes les pièces et tous les finis de ce robinet ne présenteront aucun défaut de matériel et de main-d'œuvre en usine. Tout autre achat (y compris les achats à des fins industrielles, commerciales et d'affaires) sera garanti pendant cinq (5) ans à compter de la date d'achat originale (la « Période de garantie » pour les non-propriétaires).

Si ce robinet fuit ou dégoutte durant la période de la garantie, Moen fournira GRATUITEMENT les pièces de rechange requises pour remettre le robinet en parfait état, et remplacera GRATUITEMENT toute pièce ou tout fini présentant un défaut de matériau, de fabrication ou de main-d'œuvre, dans tous les cas d'une installation, d'un usage et d'un service normaux. On peut obtenir les pièces de rechange en composant le 1-800-465-6130 ou en écrivant à l'adresse indiquée ci-dessous. Le reçu de vente original du consommateur ayant acheté le robinet initialement doit accompagner toute réclamation. Les défauts ou les dommages causés par l'utilisation de pièces non fournies par Moen ne sont pas couverts par cette garantie. Cette garantie s'applique uniquement aux robinets achetés après décembre 1995 et entre en vigueur à compter de la date d'achat indiquée sur le reçu de caisse du client.

Cette garantie est vaste, car elle couvre le remplacement de toute pièce ou de tout fini défectueux. Cependant, les dommages causés par une erreur d'installation, un abus du produit, une mauvaise utilisation du produit, l'immersion de l'appareil de filtration ou l'utilisation de nettoyeurs contenant des agents abrasifs, de l'alcool ou des solvants organiques, qu'ils soient utilisés par un entrepreneur, une entreprise de service ou le consommateur, sont exclus de cette garantie. Moen n'est pas responsable des frais de main-d'œuvre, ni de tous dommages survenus durant l'installation, la réparation ou le remplacement, ni des dommages indirects ou consécutifs, des pertes, des blessures ou des coûts connexes à ce robinet. Sauf lorsque prévu par la loi, cette garantie remplace et exclut toutes les autres garanties et conditions, qu'elles soient exprimées ou sous-entendues, obligatoires ou autres, y compris sans restriction, celle de commercialisation ou d'aptitude d'utilisation.

Certains pays, États et certaines provinces, ne permettent aucune exclusion, ni limitation suite aux dommages indirects ou consécutifs. Cette garantie accorde des droits juridiques et il est possible que d'autres droits soient applicables selon l'État, la province ou le pays. Moen avisera le consommateur de la procédure à suivre pour soumettre une réclamation. Il suffit d'écrire à Moen incorporée à l'adresse indiquée ci-dessous. Expliquer le défaut et inclure une preuve d'achat, inscrire son nom, adresse ainsi que l'indicatif régional et numéro de téléphone.

Moen inc.
25300 Al Moen Drive, North Olmsted, Ohio 44070-8022 É.-U.

Pommes de douche : standards 9,5 l/min (2,5 gpm) max. ou à haute efficacité 7,6 l/min (2,0 gpm) max. ou moins

À utiliser avec des soupapes de compensation automatiques dont le débit nominal est de 5,7 lpm (1,5 gpm) ou moins

Soupapes de compensation automatique

Posi-Temp® et CFG® : À utiliser avec les pommes de douche cotées à 5,7 l/min (1,5 gpm) ou plus
ExactTemp® et ioDigitalMC : À utiliser avec les pommes de douche cotées à 9,5 l/min (2,5 gpm) ou plus
Moentrol® : À utiliser avec les pommes de douche cotées à 4,9 l/min (1,3 gpm) ou plus