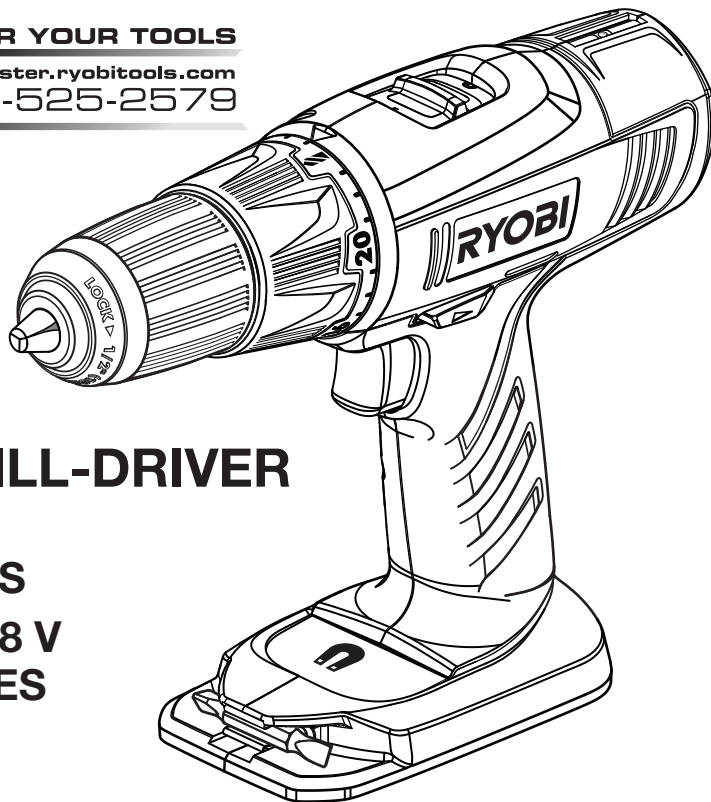




REGISTER YOUR TOOLS

<http://register.ryobitools.com>

1-800-525-2579



# OPERATOR'S MANUAL

MANUEL D'UTILISATION

MANUAL DEL OPERADOR

## 18 VOLT 1/2 in. 2-SPEED DRILL-DRIVER

18 V 13 mm (1/2 po)

PERCEUSE-TOURNEVIS 2 VITESSES

TALADRO-DESTORNILLADOR DE 18 V

13 mm (1/2 pulg.) DOS VELOCIDADES

P271

ACCEPTS ALL 18 VOLT ONE+ BATTERY PACKS

COMPATIBLE AVEC TOUS LE BLOC-PILES ONE+ DE 18 V

ACEPTA TODOS LOS PAQUETES DE BATERÍAS DE 18V ONE+

BATTERIES AND CHARGERS SOLD SEPARATELY

BLOC-PILES ET CHARGEUR VENDUS SÉPARÉMENT

LAS BATERÍAS Y LOS CARGADORES SE VENDEN POR SEPARADO

Your drill-driver has been engineered and manufactured to our high standard for dependability, ease of operation, and operator safety. When properly cared for, it will give you years of rugged, trouble-free performance.

**WARNING:** To reduce the risk of injury, the user must read and understand the operator's manual before using this product.

Thank you for your purchase.

**SAVE THIS MANUAL FOR FUTURE REFERENCE**

Cette perceuse-tournevis a été conçue et fabriquée conformément à nos strictes normes de fiabilité, simplicité d'emploi et sécurité d'utilisation. Correctement entretenue, elle vous donnera des années de fonctionnement robuste et sans problème.

**AVERTISSEMENT :** Pour réduire les risques de blessures, l'utilisateur doit lire et veiller à bien comprendre le manuel d'utilisation avant d'employer ce produit.

Merci de votre achat.

**CONSERVER CE MANUEL POUR  
FUTURE RÉFÉRENCE**

Su taladro-destornillador ha sido diseñado y fabricado de conformidad con las estrictas normas para brindar fiabilidad, facilidad de uso y seguridad para el operador. Con el debido cuidado, le brindará muchos años de sólido y eficiente funcionamiento.

**ADVERTENCIA:** Para reducir el riesgo de lesiones, el usuario debe leer y comprender el manual del operador antes de usar este producto.

Le agradecemos su compra.

**GUARDE ESTE MANUAL PARA  
FUTURAS CONSULTAS**

# TABLE OF CONTENTS

■ Introduction .....	2
■ Warranty .....	2
■ General Power Tool Safety Rules .....	3-4
■ Drill-Driver Safety Rules .....	5
■ Symbols.....	6
■ Features.....	7
■ Assembly .....	7-8
■ Operation.....	8-10
■ Maintenance.....	11
■ Figure Numbers (Illustrations).....	12-13
■ Parts Ordering / Service .....	Back page

## INTRODUCTION

This product has many features for making its use more pleasant and enjoyable. Safety, performance, and dependability have been given top priority in the design of this product making it easy to maintain and operate.

## WARRANTY

### **RYOBI® POWER TOOL - LIMITED THREE YEAR WARRANTY AND 90 DAY EXCHANGE POLICY**

One World Technologies, Inc., warrants its RYOBI® power tools with the following conditions:

**90-DAY EXCHANGE POLICY:** During the first 90 days after date of purchase, you may either request service under this warranty or you may exchange any RYOBI® power tool which does not work properly due to defective workmanship or materials by returning the power tool to the dealer from which it was purchased. To receive a replacement power tool or requested warranty service, you must present proof of purchase and return all original equipment packaged with the original product. The replacement power tool will be covered by the limited warranty for the balance of the three year period from the date of the original purchase.

**WHAT THIS WARRANTY COVERS:** This warranty covers all defects in workmanship or materials in your RYOBI® power tool for a period of three years from the date of purchase. With the exception of batteries, power tool accessories are warranted for ninety (90) days. Batteries are warranted for three years.

**HOW TO GET SERVICE:** Just return the power tool, properly packaged and postage prepaid, to an Authorized Service Center. You can obtain the location of the Service Center nearest you by contacting a service representative at One World Technologies, Inc., P.O. Box 1207, Anderson, SC 29622-1207, by calling 1-800-525-2579 or by logging on to [www.ryobitools.com](http://www.ryobitools.com). When you request warranty service, you must also present proof of purchase documentation, which includes the date of purchase (for example, a bill of sale). We will repair any faulty workmanship, and either repair or replace any defective part, at our option. We will do so without any charge to you. We will complete the work in a reasonable time, but, in any case, within ninety (90) days or less.

**WHAT'S NOT COVERED:** This warranty applies only to the original purchaser at retail and may not be transferred. This warranty only covers defects arising under normal usage and does not cover any malfunction, failure or defects resulting from misuse, abuse, neglect, alteration, modification or repairs by other than Authorized Service Centers. One World Technologies, Inc. makes no warranties, representations or promises as to the quality or performance of its power tools other than those specifically stated in this warranty.

**ADDITIONAL LIMITATIONS:** Any implied warranties granted under state law, including warranties of merchantability or fitness for a particular purpose, are limited to three years from the date of purchase. One World Technologies, Inc. is not responsible for direct, indirect, or incidental damages, so the above limitations and exclusions may not apply to you. This warranty gives you specific legal rights, and you may also have other rights which vary from state to state.

# GENERAL POWER TOOL SAFETY WARNINGS



## WARNING

Read all safety warnings and all instructions. Failure to follow the warnings and instructions may result in electric shock, fire and/or serious injury.

### Save all warnings and instructions for future reference.

The term “power tool” in the warnings refers to your mains-operated (corded) power tool or battery-operated (cordless) power tool.

## WORK AREA SAFETY

- **Keep work area clean and well lit.** Cluttered or dark areas invite accidents.
- **Do not operate power tools in explosive atmospheres, such as in the presence of flammable liquids, gases or dust.** Power tools create sparks which may ignite the dust or fumes.
- **Keep children and bystanders away while operating a power tool.** Distractions can cause you to lose control.

## ELECTRICAL SAFETY

- **Power tool plugs must match the outlet. Never modify the plug in any way. Do not use any adapter plugs with earthed (grounded) power tools.** Unmodified plugs and matching outlets will reduce risk of electric shock.
- **Avoid body contact with earthed or grounded surfaces such as pipes, radiators, ranges and refrigerators.** There is an increased risk of electric shock if your body is earthed or grounded.
- **Do not expose power tools to rain or wet conditions.** Water entering a power tool will increase the risk of electric shock.
- **Do not abuse the cord. Never use the cord for carrying, pulling or unplugging the power tool. Keep cord away from heat, oil, sharp edges or moving parts.** Damaged or entangled cords increase the risk of electric shock.
- **When operating a power tool outdoors, use an extension cord suitable for outdoor use.** Use of a cord suitable for outdoor use reduces the risk of electric shock.
- **If operating a power tool in a damp location is unavoidable, use a ground fault circuit interrupter (GFCI) protected supply.** Use of a GFCI reduces the risk of electric shock.
- **Use battery only with charger listed.** For use with 18V nickel-cadmium and 18V lithium-ion battery packs, see tool/appliance/battery pack/charger correlation supplement 987000-432.

## PERSONAL SAFETY

- **Stay alert, watch what you are doing and use common sense when operating a power tool. Do not use a power tool while you are tired or under the influence of drugs, alcohol or medication.** A moment of inattention while operating power tools may result in serious personal injury.
- **Use personal protective equipment. Always wear eye protection.** Protective equipment such as dust mask, non-skid safety shoes, hard hat, or hearing protection used for appropriate conditions will reduce personal injuries.
- **Prevent unintentional starting. Ensure the switch is in the off-position before connecting to power source and/or battery pack, picking up or carrying the tool.** Carrying power tools with your finger on the switch or energising power tools that have the switch on invites accidents.
- **Remove any adjusting key or wrench before turning the power tool on.** A wrench or a key left attached to a rotating part of the power tool may result in personal injury.
- **Do not overreach. Keep proper footing and balance at all times.** This enables better control of the power tool in unexpected situations.
- **Dress properly. Do not wear loose clothing or jewellery. Keep your hair, clothing and gloves away from moving parts.** Loose clothes, jewellery or long hair can be caught in moving parts.
- **If devices are provided for the connection of dust extraction and collection facilities, ensure these are connected and properly used.** Use of dust collection can reduce dust-related hazards.
- **Do not wear loose clothing or jewelry. Contain long hair.** Loose clothes, jewelry, or long hair can be drawn into air vents.
- **Do not use on a ladder or unstable support.** Stable footing on a solid surface enables better control of the power tool in unexpected situations.

## POWER TOOL USE AND CARE

- **Do not force the power tool. Use the correct power tool for your application.** The correct power tool will do the job better and safer at the rate for which it was designed.
- **Do not use the power tool if the switch does not turn it on and off.** Any power tool that cannot be controlled with the switch is dangerous and must be repaired.

# GENERAL POWER TOOL SAFETY WARNINGS

- **Disconnect the plug from the power source and/or the battery pack from the power tool before making any adjustments, changing accessories, or storing power tools.** Such preventive safety measures reduce the risk of starting the power tool accidentally.
- **Store idle power tools out of the reach of children and do not allow persons unfamiliar with the power tool or these instructions to operate the power tool.** Power tools are dangerous in the hands of untrained users.
- **Maintain power tools. Check for misalignment or binding of moving parts, breakage of parts and any other condition that may affect the power tool's operation. If damaged, have the power tool repaired before use.** Many accidents are caused by poorly maintained power tools.
- **Keep cutting tools sharp and clean.** Properly maintained cutting tools with sharp cutting edges are less likely to bind and are easier to control.
- **Use the power tool, accessories and tool bits etc. in accordance with these instructions, taking into account the working conditions and the work to be performed.** Use of the power tool for operations different from those intended could result in a hazardous situation.
- **Use power tools only with specifically designated battery packs.** Use of any other battery packs may create a risk of injury and fire.
- **When battery pack is not in use, keep it away from other metal objects, like paper clips, coins, keys, nails, screws or other small metal objects, that can make a connection from one terminal to another.** Shorting the battery terminals together may cause burns or a fire.
- **Under abusive conditions, liquid may be ejected from the battery; avoid contact. If contact accidentally occurs, flush with water. If liquid contacts eyes, additionally seek medical help.** Liquid ejected from the battery may cause irritation or burns.

## SERVICE

- **Have your power tool serviced by a qualified repair person using only identical replacement parts.** This will ensure that the safety of the power tool is maintained.
- **When servicing a power tool, use only identical replacement parts. Follow instructions in the Maintenance section of this manual.** Use of unauthorized parts or failure to follow Maintenance instructions may create a risk of shock or injury.

## BATTERY TOOL USE AND CARE

- **Recharge only with the charger specified by the manufacturer.** A charger that is suitable for one type of battery pack may create a risk of fire when used with another battery pack.

# DRILL-DRIVER SAFETY WARNINGS

- **Use auxiliary handle(s), if supplied with the tool.** Loss of control can cause personal injury.
- **Hold power tool by insulated gripping surfaces, when performing an operation where the cutting accessory may contact hidden wiring.** Cutting accessory contacting a “live” wire may make exposed metal parts of the power tool “live” and could give the operator an electric shock.
- **Know your power tool. Read operator’s manual carefully. Learn its applications and limitations, as well as the specific potential hazards related to this power tool.** Following this rule will reduce the risk of electric shock, fire, or serious injury.
- **Always wear eye protection with side shields marked to comply with ANSI Z87.1.** Following this rule will reduce the risk of serious personal injury.
- **Protect your lungs. Wear a face or dust mask if the operation is dusty.** Following this rule will reduce the risk of serious personal injury.
- **Protect your hearing. Wear hearing protection during extended periods of operation.** Following this rule will reduce the risk of serious personal injury.
- **Battery tools do not have to be plugged into an electrical outlet; therefore, they are always in operating condition. Be aware of possible hazards when not using your battery tool or when changing accessories.** Following this rule will reduce the risk of electric shock, fire, or serious personal injury.
- **Do not place battery tools or their batteries near fire or heat.** This will reduce the risk of explosion and possibly injury.
- **Do not crush, drop or damage battery pack. Do not use a battery pack or charger that has been dropped or received a sharp blow.** A damaged battery is subject to explosion. Properly dispose of a dropped or damaged battery immediately.
- **Batteries can explode in the presence of a source of ignition, such as a pilot light.** To reduce the risk of serious personal injury, never use any cordless product in the presence of open flame. An exploded battery can propel debris and chemicals. If exposed, flush with water immediately.
- **Do not charge battery tool in a damp or wet location.** Following this rule will reduce the risk of electric shock.
- **For best results, your battery tool should be charged in a location where the temperature is more than 50°F but less than 100°F.** To reduce the risk of serious personal injury, do not store outside or in vehicles.
- **Under extreme usage or temperature conditions, battery leakage may occur. If liquid comes in contact with your skin, wash immediately with soap and water. If liquid gets into your eyes, flush them with clean water for at least 10 minutes, then seek immediate medical attention.** Following this rule will reduce the risk of serious personal injury.
- **Save these instructions.** Refer to them frequently and use them to instruct others who may use this tool. If you loan someone this tool, loan them these instructions also to prevent misuse of the product and possible injury.

## CALIFORNIA PROPOSITION 65

### **WARNING:**

This product and some dust created by power sanding, sawing, grinding, drilling, and other construction activities may contain chemicals, including lead, known to the State of California to cause cancer, birth defects, or other reproductive harm. ***Wash hands after handling.***




Some examples of these chemicals are:

- lead from lead-based paints,
- crystalline silica from bricks and cement and other masonry products and,
- arsenic and chromium from chemically treated lumber.






Your risk from exposure to these chemicals varies, depending on how often you do this type of work. To reduce your exposure, work in a well-ventilated area and with approved safety equipment, such as dust masks that are specially designed to filter out microscopic particles.

# SYMBOLS

The following signal words and meanings are intended to explain the levels of risk associated with this product.

SYMBOL	SIGNAL	MEANING
	<b>DANGER:</b>	Indicates an imminently hazardous situation, which, if not avoided, will result in death or serious injury.
	<b>WARNING:</b>	Indicates a potentially hazardous situation, which, if not avoided, could result in death or serious injury.
	<b>CAUTION:</b>	Indicates a potentially hazardous situation, which, if not avoided, may result in minor or moderate injury.
	<b>CAUTION:</b>	(Without Safety Alert Symbol) Indicates a situation that may result in property damage.

Some of the following symbols may be used on this product. Please study them and learn their meaning. Proper interpretation of these symbols will allow you to operate the product better and safer.

SYMBOL	NAME	DESIGNATION/EXPLANATION
	Safety Alert	Indicates a potential personal injury hazard.
	Read Operator's Manual	To reduce the risk of injury, user must read and understand operator's manual before using this product.
	Eye Protection	Always wear eye protection with side shields marked to comply with ANSI Z87.1.
	Wet Conditions Alert	Do not expose to rain or use in damp locations.
	Recycle Symbols	This product uses lithium-ion or nickel-cadmium batteries. Local, state or federal laws may prohibit disposal of batteries in ordinary trash. Consult your local waste authority for information regarding available recycling and/or disposal options.
V	Volts	Voltage
min	Minutes	Time
—	Direct Current	Type or a characteristic of current
$n_0$	No Load Speed	Rotational speed, at no load
.../min	Per Minute	Revolutions, strokes, surface speed, orbits etc., per minute

# FEATURES

## PRODUCT SPECIFICATIONS

Chuck ..... 1/2 in. Keyless  
Motor ..... 18 V DC  
Switch ..... VSR (Variable Speed Reversible)

No Load Speed ..... 0-440/0-1,600/min. (RPM)  
Clutch ..... 24 Positions  
Torque ..... 340 in.lb.

## KNOW YOUR DRILL-DRIVER

See Figure 1, page 12.

The safe use of this product requires an understanding of the information on the product and in this operator's manual as well as a knowledge of the project you are attempting. Before use of this product, familiarize yourself with all operating features and safety rules.

## BIT STORAGE

Bits provided with the drill can be placed in the storage area, located on the base of the drill.

## DIRECTION OF ROTATION SELECTOR (FORWARD/REVERSE/CENTER LOCK)

Your drill has a direction of rotation (forward/reverse/center lock) selector located above the switch trigger for changing the direction of bit rotation. Setting the direction of rotation selector in the **OFF** (center lock) position helps reduce the possibility of accidental starting when not in use.

## KEYLESS CHUCK

The keyless chuck allows you to hand-tighten or release the drill bit in the chuck jaws.

## LEVEL

A level is located on the top of the motor housing to help keep the drill bit level during use.

## MAG TRAY™ (SCREW HOLDER)

The magnetic tray conveniently stores screws or other small parts.

## TORQUE ADJUSTMENT RING

Your drill has a 24-position clutch. The torque adjustment ring can be turned to select the right amount of torque for your application.

## TWO-SPEED GEAR TRAIN (HI-LO)

The two-speed gear train is designed for drilling or driving at **LO (1)** or **HI (2)** speeds. A slide switch is located on top of your drill for selecting either **LO (1)** or **HI (2)** speed.

## VARIABLE SPEED

The variable speed switch trigger delivers higher speed with increased trigger pressure and lower speed with decreased trigger pressure.

# ASSEMBLY

## UNPACKING

This product has been shipped completely assembled.

- Carefully remove the product and any accessories from the box. Make sure that all items listed in the packing list are included.

### **WARNING:**

Do not use this product if it is not completely assembled or if any parts appear to be missing or damaged. Use of a product that is not properly and completely assembled could result in serious personal injury.

- Inspect the product carefully to make sure no breakage or damage occurred during shipping.
- Do not discard the packing material until you have carefully inspected and satisfactorily operated the product.
- If any parts are damaged or missing, please call 1-800-525-2579 for assistance.

## PACKING LIST

Drill-driver  
Double-ended Bit  
Operator's Manual

### **WARNING:**

If any parts are damaged or missing do not operate this product until the parts are replaced. Use of this product with damaged or missing parts could result in serious personal injury.

# ASSEMBLY

## WARNING:

Do not attempt to modify this product or create accessories not recommended for use with this product. Any such alteration or modification is misuse and could result in a hazardous condition leading to possible serious personal injury.

## WARNING:

To prevent accidental starting that could cause serious personal injury, always remove the battery pack from the product when assembling parts.

# OPERATION

## WARNING:

Do not allow familiarity with products to make you careless. Remember that a careless fraction of a second is sufficient to inflict serious injury.

## WARNING:

Always wear eye protection with side shields marked to comply with ANSI Z87.1. Failure to do so could result in objects being thrown into your eyes, resulting in possible serious injury.

## WARNING:

Do not use any attachments or accessories not recommended by the manufacturer of this product. The use of attachments or accessories not recommended can result in serious personal injury.

## WARNING:

Always remove battery pack from your tool when you are assembling parts, making adjustments, cleaning, or when not in use. Removing battery pack will prevent accidental starting that could cause serious personal injury.

## TO INSTALL/REMOVE BATTERY PACK

See Figure 2, page 12.

### To install:

- Place the direction of rotation selector in the center position.
- Insert the battery pack into the product as shown.
- Make sure the latches on each side of the battery pack snap in place and that battery pack is secured in the product before beginning operation.

### To remove:

- Depress the latches on each side of the battery pack.
- Remove the battery pack from the drill.

## WARNING:

Battery products are always in operating condition. Therefore, the switch should always be locked when not in use or carrying at your side.

## APPLICATIONS

You may use this product for the purposes listed below:

- Drilling in all types of wood products (lumber, plywood, paneling, composition board, and hard board)
- Drilling in ceramics, plastics, fiberglass, and laminates
- Drilling in metals

This product will accept Ryobi One+ 18 V lithium-ion battery packs and Ryobi One+ 18 V nickel-cadmium battery packs.

For complete charging instructions, refer to the Operator's Manual for your Ryobi One+ battery pack and charger models.

## BATTERY PROTECTION FEATURES

Ryobi lithium-ion batteries are designed with features that protect the lithium-ion cells and maximize battery life.

If the tool stops during use, release the trigger to reset and resume operation. If the tool still does not work, the battery needs to be recharged.

## SWITCH TRIGGER

See Figure 3, page 12.

To turn the drill **ON**, depress the switch trigger. To turn it **OFF**, release the switch trigger.

## VARIABLE SPEED

The variable speed switch trigger delivers higher speed with increased trigger pressure and lower speed with decreased trigger pressure.

**NOTE:** You might hear a whistling or ringing noise from the switch during use. Do not be concerned; this is a normal part of the switch function.



# OPERATION

## DIRECTION OF ROTATION SELECTOR (FORWARD/REVERSE/CENTER LOCK)

See Figure 3, page 12.

The direction of bit rotation is reversible and is controlled by a selector located above the switch trigger. With the drill held in normal operating position, the direction of rotation selector should be positioned to the left of the switch trigger for forward drilling. The drilling direction is reversed when the selector is to the right of the switch trigger.

Setting the direction of rotation selector in the **OFF** (center lock) position helps reduce the possibility of accidental starting when not in use.

### CAUTION:

To prevent gear damage, always allow the chuck to come to a complete stop before changing the direction of rotation.

To stop the drill, release the switch trigger and allow the chuck to come to a complete stop.

**NOTE:** The drill will not run unless the direction of rotation selector is pushed fully to the left or right.

Avoid running the drill at low speeds for extended periods of time. Running at low speeds under constant usage may cause the drill to become overheated. If this occurs, cool the drill by running it without a load and at full speed.

## KEYLESS CHUCK

See Figure 4, page 12.

The drill has a keyless chuck to tighten or release drill bits in the chuck jaws. The arrows on the chuck indicate which direction to rotate the chuck body in order to **LOCK** (tighten) or **UNLOCK** (release) the drill bit.



### WARNING:

Do not hold the chuck with one hand and use the power of the drill to tighten the chuck jaws on the drill bit. The chuck body could slip in your hand, or your hand could slip and come in contact with the rotating drill bit. This could cause an accident resulting in serious personal injury.

## TWO-SPEED GEAR TRAIN (HI-LO)

See Figure 5, page 12.

The drill has a two-speed gear train designed for drilling or driving at **LO (1)** or **HI (2)** speeds. A slide switch is located on top of the drill to select either **LO (1)** or **HI (2)** speed. When using drill in the **LO (1)** speed range, speed will decrease and unit will have more power and torque. When using drill in the **HI (2)** speed range, speed will increase and unit will have less power and torque. Use **LO (1)** speed for high power and torque applications and **HI (2)** speed for fast drilling or driving applications.


## ADJUSTABLE TORQUE CLUTCH

This product is equipped with an adjustable torque clutch for driving different types of screws into different materials. The proper setting depends on the type of material and the size of screw you are using.

## ADJUSTING TORQUE

See Figure 6, page 12.

There are twenty-four torque indicator settings located on the front of the drill.

- Rotate the adjusting ring to the desired setting.
  - 1 - 4 For driving small screws
  - 5 - 8 For driving screws into soft material
  - 9 - 12 For driving screws into soft and hard materials
  - 13 - 16 For driving screws into hard wood
  - 17 - 20 For driving large screws
  - 21-  For heavy drilling

## BIT STORAGE

See Figure 7, page 13.

When not in use, bits provided with the drill can be placed in the storage area located on the base of the drill.

## MAG TRAY™ (SCREW HOLDER)

See Figure 7, page 13.

The magnetic tray conveniently stores screws or other small parts.

## INSTALLING BITS

See Figures 8 - 9, page 13.

- Lock the switch trigger by placing the direction of rotation selector in the center position.
- Open or close the chuck jaws to a point where the opening is slightly larger than the bit size you intend to use. Also, raise the front of the drill slightly to keep the bit from falling out of the chuck jaws.
- Insert the drill bit.



### WARNING:

Make sure to insert the drill bit straight into the chuck jaws. Do not insert the drill bit into the chuck jaws at an angle then tighten, as shown in figure 9. This could cause the drill bit to be thrown from the drill, resulting in possible serious personal injury or damage to the chuck.

- Tighten the chuck jaws securely on the bit.

**NOTE:** Rotate the chuck body in the direction of the arrow marked **LOCK** to close the chuck jaws. Do not use a wrench to tighten or loosen the chuck jaws.

# OPERATION

## REMOVING BITS

See Figure 8, page 13.

- Lock the switch trigger by placing the direction of rotation selector in the center position.

- Open the chuck jaws.

**NOTE:** Rotate the chuck body in the direction of the arrow marked **UNLOCK** to open the chuck jaws. Do not use a wrench to tighten or loosen the chuck jaws.

- Remove the drill bit.

## DRILLING

See Figure 10, page 13.

A level is located on the top of the motor housing to help keep the drill bit level during use.

- Check the direction of rotation selector for the correct setting (forward or reverse).
- Secure the material to be drilled in a vise or with clamps to keep it from turning as the drill bit rotates.
- Hold the drill firmly and place the bit at the point to be drilled.
- Depress the switch trigger to start the drill.
- Move the drill bit into the workpiece, applying only enough pressure to keep the bit cutting. Do not force the drill or apply side pressure to elongate a hole. Let the tool do the work.

### **WARNING:**

Be prepared for binding at bit breakthrough. When these situations occur, drill has a tendency to grab and kick opposite to the direction of rotation and could cause loss of control when breaking through material. If not prepared, this loss of control can result in possible serious injury.

- When drilling hard, smooth surfaces, use a center punch to mark the desired hole location. This will prevent the drill bit from slipping off-center as the hole is started.

- When drilling metals, use a light oil on the drill bit to keep it from overheating. The oil will prolong the life of the bit and increase the drilling action.

- If the bit jams in the workpiece or if the drill stalls, stop the tool immediately. Remove the bit from the workpiece and determine the reason for jamming.

**NOTE:** This drill has an electric brake. When the switch trigger is released, the chuck stops turning. When the brake is functioning properly, sparks will be visible through the vent slots on the housing. This is normal and is the action of the brake.

## WOOD DRILLING

For maximum performance, use high speed steel bits for wood drilling.

- Begin drilling at a very low speed to prevent the bit from slipping off the starting point. Increase the speed as the drill bit bites into the material.
- When drilling through holes, place a block of wood behind the workpiece to prevent ragged or splintered edges on the back side of the hole.

## METAL DRILLING

For maximum performance, use high speed steel bits for metal or steel drilling.

- Begin drilling at a very low speed to prevent the bit from slipping off the starting point.
- Maintain a speed and pressure which allows cutting without overheating the bit. Applying too much pressure will:
  - Overheat the drill;
  - Wear the bearings;
  - Bend or burn bits; and
  - Produce off-center or irregular-shaped holes.
- When drilling large holes in metal, start with a small bit, then finish with a larger bit. Also, lubricate the bit with oil to improve drilling action and increase bit life.

# MAINTENANCE

## **WARNING:**

When servicing, use only identical replacement parts. Use of any other parts could create a hazard or cause product damage.

## **WARNING:**

Always wear eye protection with side shields marked to comply with ANSI Z87.1. Failure to do so could result in objects being thrown into your eyes, resulting in possible serious injury.

## **WARNING:**

To avoid serious personal injury, always remove the battery pack from the product when cleaning or performing any maintenance.

## GENERAL MAINTENANCE

Avoid using solvents when cleaning plastic parts. Most plastics are susceptible to damage from various types of commercial solvents and may be damaged by their use. Use clean cloths to remove dirt, dust, oil, grease, etc.

## **WARNING:**

Do not at any time let brake fluids, gasoline, petroleum-based products, penetrating oils, etc., come in contact with plastic parts. Chemicals can damage, weaken or destroy plastic which could result in serious personal injury.

Only the parts shown on the parts list are intended to be repaired or replaced by the customer. All other parts should be replaced at an Authorized Service Center.

## BATTERY PACK REMOVAL AND PREPARATION FOR RECYCLING

## **WARNING:**

Upon removal, cover the battery pack's terminals with heavy-duty adhesive tape. Do not attempt to destroy or disassemble battery pack or remove any of its components. Lithium-ion and nickel-cadmium batteries must be recycled or disposed of properly. Also, never touch both terminals with metal objects and/or body parts as short circuit may result. Keep away from children. Failure to comply with these warnings could result in fire and/or serious injury.

## CHUCK REMOVAL

See Figures 11 - 13, page 13.

The chuck may be removed and replaced by a new one.

- Lock the switch trigger by placing the direction of rotation selector in center position.
- Insert a 5/16 in. or larger hex key into the chuck of the drill and tighten the chuck jaws securely.
- Tap the hex key sharply with a mallet in a clockwise direction. This will loosen the screw in the chuck for easy removal.
- Open the chuck jaws and remove the hex key. Using a screwdriver, remove the chuck screw by turning it in a clockwise direction.  
**NOTE:** The chuck screw has left hand threads.
- Insert the hex key into the chuck and tighten the chuck jaws securely. Tap sharply with a mallet in a counterclockwise direction. This will loosen the chuck on the spindle. It can now be unscrewed by hand.

## TO RETIGHTEN A LOOSE CHUCK

The chuck may become loose on the spindle and develop a wobble. Also, the chuck screw may become loose, causing the chuck jaws to bind and prevent them from closing.

### To tighten:

- Lock the switch trigger by placing the direction of rotation selector in the center position.
- Open the chuck jaws.
- Insert the hex key into the chuck and tighten the chuck jaws securely. Tap the hex key sharply with a mallet in a clockwise direction. This will tighten the chuck on the spindle.
- Open the chuck jaws and remove the hex key.
- Tighten the chuck screw.

**NOTE: FIGURES (ILLUSTRATIONS) START ON PAGE 12 AFTER FRENCH AND SPANISH LANGUAGE SECTIONS.**

# TABLE DES MATIÈRES

■ Introduction .....	2
■ Garantie .....	2
■ Règles de sécurité relatives aux outils électriques.....	3-4
■ Avertissements de sécurité relatifs perceuse-tournevis.....	5
■ Symboles.....	6
■ Caractéristiques .....	7
■ Assemblage.....	7-8
■ Utilisation.....	8-10
■ Entretien .....	11
■ Figure numéros (illustrations).....	12-13
■ Commande de pièces / réparation.....	Pág. arrière

## INTRODUCTION

Cet produit offre de nombreuses fonctions destinées à rendre son utilisation plus plaisante et satisfaisante. Lors de la conception de ce produit, l'accent a été mis sur la sécurité, les performances et la fiabilité, afin d'en faire un outil facile à utiliser et à entretenir.

## GARANTIE

### OUTILS ÉLECTRIQUES RYOBI® – GARANTIE LIMITÉE DE TROIS ANS ET POLITIQUE D'ÉCHANGE DE 90 JOURS

One World Technologies, Inc., garantit ses outils électriques dans les conditions suivantes :

**POLITIQUE D'ÉCHANGE DE 90 JOURS :** En cas de défaillance due à des vices de matériaux ou de fabrication au cours des 90 jours suivant la date d'achat, l'acheteur pourra faire réparer tout outil électrique RYOBI® au titre de cette garantie ou le retourner l'établissement où il a été acheté. Pour obtenir un outil en échange ou demander la réparation en garantie, l'équipement complet devra être retourné, dans son emballage d'origine, accompagné d'une preuve d'achat. L'outil fourni en échange sera couvert par la garantie limitée pour le restant de la période de validité de trois ans à compter de la date d'achat.

**CE QUI EST COUVERT PAR LA GARANTIE :** Cette garantie couvre tous les vices de matériaux et de fabrication de cet outil électrique RYOBI®, pour une période de trois ans, à compter de la date d'achat. À l'exception des piles, les accessoires sont garantis pour une période de quatre-vingt-dix (90) jours. Les piles sont garanties trois ans.

**RÉPARATIONS SOUS GARANTIE :** Il suffit de retourner l'outil, correctement emballé, en port payé, à un centre de réparations agréé. L'adresse du centre de réparations agréé le plus proche peut être obtenue en contactant un représentant du service après-vente par courrier, à l'adresse One World Technologies, Inc., P.O. Box 1207, Anderson, SC 29622-1207, par téléphone au 1-800-525-2579 ou par courriel, à l'adresse Internet [www.ryobitools.com](http://www.ryobitools.com). Lors de toute demande de réparation sous garantie, une preuve d'achat datée (par exemple un reçu de vente) doit être fournie. Nous nous engageons à réparer tous les défauts de fabrication et à réparer ou remplacer, à notre choix, toutes les pièces défectueuses. Les réparations et remplacements seront gratuits. Les réparations sous garantie seront effectuées dans un délai raisonnable, ne dépassant en aucun cas quatre-vingt-dix (90) jours.

**CE QUI N'EST PAS COUVERT :** La garantie ne couvre que l'acheteur au détail original et n'est pas transférable. Cette garantie ne couvre que les défauts résultant d'une utilisation normale. Elle ne couvre pas les problèmes de fonctionnement, défaillances ou autres défauts résultant d'un usage incorrect ou abusif, de la négligence, de la modification, de l'altération ou de réparations effectuées par quiconque autre qu'un centre de réparations agréé. One World Technologies, Inc. ne fait aucune autre garantie, représentation ou promesse concernant la qualité et les performances de cet outil électrique, autres que celles expressément indiquées dans le présent document.

**AUTRES LIMITATIONS :** Toutes les garanties implicites accordées par les lois en vigueur, y compris les garanties de valeur marchande ou d'adéquation à un usage particulier, sont limitées à une durée de trois ans, à compter de la date d'achat. One World Technologies, Inc. déclinant toute responsabilité pour les dommages directs ou indirects, les limitations et exclusions peuvent ne pas s'appliquer à chaque acheteur. Cette garantie donne au consommateur des droits spécifiques, et celui-ci peut bénéficier d'autres droits, qui varient selon les états ou provinces.

# RÈGLES DE SÉCURITÉ RELATIVES AUX OUTILS ÉLECTRIQUES



## AVERTISSEMENT

### Lire tous les avertissements et toutes les instructions.

Ne pas suivre l'ensemble des avertissements et des instructions peut entraîner une électrocution, un incendie ou des blessures graves.

Conserver les avertissements et les instructions à des fins de référence ultérieure. Le terme « outil motorisé », utilisé dans tous les avertissements ci-dessous désigne tout outil fonctionnant sur secteur (câblé) ou sur piles (sans fil).

## SÉCURITÉ DU LIEU DE TRAVAIL

- **Garder le lieu de travail propre et bien éclairé.** Les endroits encombrés ou sombres sont propices aux accidents.
- **Ne pas utiliser d'outils électriques dans des atmosphères explosives, par exemple en présence de liquides, gaz ou poussières inflammables.** Les outils électriques produisent des étincelles risquant d'enflammer les poussières ou vapeurs.
- **Garder les enfants et badauds à l'écart pendant l'utilisation d'un outil électrique.** Les distractions peuvent causer une perte de contrôle.

## SÉCURITÉ ÉLECTRIQUE

- **Les fiches des outils électriques doivent correspondre à la prise secteur utilisée. Ne jamais modifier la fiche, de quelque façon que ce soit. Ne jamais utiliser d'adaptateurs de fiche avec des outils mis à la terre.** Les fiches et prises non modifiées réduisent le risque de choc électrique.
- **Éviter tout contact du corps avec des surfaces mises à la terre, telles que tuyaux, radiateurs, cuisinières et réfrigérateurs.** Le risque de choc électrique est accru lorsque le corps est mis à la terre.
- **Ne pas exposer les outils électriques à l'eau ou l'humidité.** La pénétration d'eau dans ces outils accroît le risque de choc électrique.
- **Ne pas maltraiter le cordon d'alimentation. Ne jamais utiliser le cordon d'alimentation pour transporter l'outil et ne jamais débrancher ce dernier en tirant sur le cordon. Garder le cordon à l'écart de la chaleur, de l'huile, des objets tranchants et des pièces en mouvement.** Un cordon endommagé ou emmêlé accroît le risque de choc électrique.
- **Pour les travaux à l'extérieur, utiliser un cordon spécialement conçu à cet effet.** Utiliser un cordon conçu pour l'usage extérieur pour réduire les risques de choc électrique.
- **S'il est nécessaire d'utiliser l'outil électrique dans un endroit humide, employer un dispositif interrupteur de défaut à la terre (GFCI).** L'utilisation d'un GFCI réduit le risque de décharge électrique.

- **Ne recharger les piles qu'avec l'appareil indiqué.** Pour utiliser l'appareil avec des piles au nickel-cadmium et au lithium-ion de 18 V, consulter le supplément de raccordement pour chargeur/outils/piles/appareil n° 987000-432.

## SÉCURITÉ PERSONNELLE

- **Rester attentif, prêter attention au travail et faire preuve de bon sens lors de l'utilisation de tout outil électrique. Ne pas utiliser cet outil en état de fatigue ou sous l'influence de l'alcool, de drogues ou de médicaments.** Un moment d'inattention pendant l'utilisation d'un outil électrique peut entraîner des blessures graves.
- **Utiliser l'équipement de sécurité. Toujours porter une protection oculaire.** L'équipement de sécurité, tel qu'un masque filtrant, de chaussures de sécurité, d'un casque ou d'une protection auditive, utilisé dans des conditions appropriées réduira le risque de blessures.
- **Éviter les démarrages accidentels. S'assurer que le commutateur est en position d'arrêt avant de brancher l'outil.** Porter un outil avec le doigt sur son commutateur ou brancher un outil dont le commutateur est en position de marche peut causer un accident.
- **Retirer les clés de réglage avant de mettre l'outil en marche.** Une clé laissée sur une pièce rotative de l'outil peut causer des blessures.
- **Ne pas travailler hors de portée. Toujours se tenir bien campé et en équilibre.** Ceci permettra de mieux contrôler l'outil en cas de situation imprévue.
- **Porter une tenue appropriée. Ne porter ni vêtements amples, ni bijoux. Garder les cheveux, les vêtements et les gants à l'écart des pièces en mouvement.** Les vêtements amples, bijoux et cheveux longs peuvent se prendre dans les pièces en mouvement.
- **Si les outils sont équipés de dispositifs de dépoussiérage, s'assurer qu'ils sont connectés et correctement utilisés.** L'usage de ces dispositifs de dépoussiérage peut réduire les dangers présentés par la poussière.
- **Ne porter ni vêtements amples, ni bijoux. Attacher ou couvrir les cheveux longs.** Les vêtements amples, bijoux et cheveux longs peuvent se prendre dans les ouïes d'aération.
- **Ne pas utiliser l'outil sur une échelle ou un support instable.** Une bonne tenue et un bon équilibre permettent de mieux contrôler l'outil en cas de situation imprévue.

## UTILISATION ET ENTRETIEN DES OUTILS ÉLECTRIQUES

- **Ne pas forcer l'outil. Utiliser l'outil approprié pour l'application.** Un outil approprié exécutera le travail mieux et de façon moins dangereuse s'il est utilisé dans les limites prévues.

# RÈGLES DE SÉCURITÉ RELATIVES AUX OUTILS ÉLECTRIQUES

- **Ne pas utiliser l'outil si le commutateur ne permet pas de le mettre en marche ou de l'arrêter.** Tout outil qui ne peut pas être contrôlé par son commutateur est dangereux et doit être réparé.
- **Débrancher l'outil et/ou retirer le bloc-piles avant d'effectuer des réglages, de changer d'accessoire ou de remiser l'outil.** Ces mesures de sécurité préventives réduisent les risques de démarrage accidentel de l'outil.
- **Ranger les outils motorisés hors de la portée des enfants et ne laisser personne n'étant pas familiarisé avec l'outil ou ces instructions utiliser l'outil.** Dans les mains de personnes n'ayant pas reçu des instructions adéquates, les outils sont dangereux.
- **Entretenir les outils motorisés. Vérifier qu'aucune pièce mobile n'est mal alignée ou bloquée, qu'aucune pièce n'est brisée et s'assurer qu'aucun autre problème ne risque d'affecter le bon fonctionnement de l'outil. En cas de dommages faire réparer l'outil avant de l'utiliser de nouveau.** Beaucoup d'accidents sont causés par des outils mal entretenus.
- **Garder les outils bien affûtés et propres.** Des outils correctement entretenus et dont les tranchants sont bien affûtés risquent moins de se bloquer et sont plus faciles à contrôler.
- **Utiliser l'outil, les accessoires et embouts, etc. conformément à ces instructions pour les applications pour lesquelles ils sont conçus, en tenant compte des conditions et du type de travail à exécuter.** L'usage d'un outil motorisé pour des applications pour lesquelles il n'est pas conçu peut être dangereux.

## UTILISATION ET ENTRETIEN DE LA PILE

- **Ne recharger qu'avec l'appareil spécifié par le fabricant.** Un chargeur approprié pour un type de pile peut créer un risque d'incendie s'il est utilisé avec un autre type de pile.
- **Utiliser exclusivement le bloc-pile spécifiquement indiqué pour l'outil.** L'usage de tout autre bloc peut créer un risque de blessures et d'incendie.
- **Lorsque le bloc-piles n'est pas en usage, le garder à l'écart d'articles tels qu'attaches trombones, pièces de monnaie, clous, vis ou autres petits objets métalliques risquant d'établir le contact entre les deux bornes.** La mise en court-circuit des bornes de piles peut causer des étincelles, des brûlures ou un incendie.
- **En cas d'usage abusif, du liquide peut s'échapper des piles. Éviter tout contact avec ce liquide. En cas de contact accidentel, rincer immédiatement les parties atteintes avec de l'eau. En cas d'éclaboussure dans les yeux consulter un médecin.** Le liquide s'échappant des piles peut causer des irritations ou des brûlures.

## DÉPANNAGE

- **Les réparations doivent être confiées à un technicien qualifié, utilisant exclusivement des pièces identiques à celles d'origine.** Ceci assurera le maintien de la sécurité de l'outil.
- **Utiliser exclusivement des pièces identiques à celles d'origine pour les réparations. Se conformer aux instructions de la section Entretien de ce manuel.** L'usage de pièces non autorisées ou le non-respect des instructions peut présenter des risques de choc électrique ou de blessures.

# AVERTISSEMENTS DE SÉCURITÉ RELATIFS PERCEUSE-TOURNEVIS

- **Utiliser la poignée auxiliaire(s), si elle est fournie avec l'outil.** La perte de contrôle peut causer des blessures.
- **Lorsque l'outil est utilisé pour un travail risquant de le mettre en contact avec des fils électriques cachés, le tenir par les surfaces de prise isolées.** Le contact d'un accessoire de coupe avec un fil sous tension « électrifie » les pièces métalliques exposées de l'outil et peut électrocuter l'utilisateur.
- **Apprendre à connaître l'outil. Lire attentivement le manuel d'utilisation. Apprendre les applications et les limites de l'outil, ainsi que les risques spécifiques relatifs à son utilisation.** Le respect de cette consigne réduira les risques d'incendie, de choc électrique et de blessures graves.
- **Toujours porter une protection oculaire certifiée conforme à la norme ANSI Z87.1.** Le respect de cette règle réduira les risques de blessures graves.
- **Protection respiratoire. Porter un masque facial ou un masque antipoussière si le travail produit de la poussière.** Le respect de cette consigne réduira les risques de blessures graves.
- **Protection auditive. Porter une protection auditive lors de l'utilisation prolongée.** Le respect de cette règle réduira les risques de blessures graves.
- **Les outils fonctionnant sur piles n'ayant pas besoin d'être branchés sur une prise secteur, ils sont toujours en état de fonctionnement. Tenir compte des dangers possibles lorsque l'outil n'est pas en usage et lors du remplacement des piles.** Le respect de cette consigne réduira les risques d'incendie, de choc électrique et de blessures graves.
- **Ne pas placer les outils électriques sans fil ou leurs piles à proximité de flammes ou d'une source de chaleur.** Ceci réduira les risques d'explosion et de blessures.
- **Ne pas écraser, faire tomber ou endommager les bloc-piles. Ne jamais utiliser un bloc-piles ou un chargeur qui est tombé, a été écrasé, a reçu un choc violent ou a été endommagé de quelque façon que ce soit.** Une pile endommagée risque d'exploser. Éliminer immédiatement toute pile endommagée, selon une méthode appropriée.
- **Les piles peuvent exploser en présence d'une source d'allumage, telle qu'une veilleuse.** Pour réduire les risques de blessures graves, ne jamais utiliser un appareil sans fil, quel qu'il soit, en présence d'une flamme vive. En explosant, une pile peut projeter des débris et des produits chimiques. En cas d'exposition, rincer immédiatement les parties atteintes avec de l'eau.
- **Ne pas recharger un outil fonctionnant sur piles dans un endroit humide ou mouillé.** Le respect de cette règle réduira les risques de choc électrique.
- **Pour un résultat optimal, les piles de l'outil doivent être rechargées dans un local où la température est de 10 à 38 °C (50 à 100°F). Ne pas ranger l'outil à l'extérieur ou dans un véhicule.**
- **Si l'outil est utilisé de façon intensive ou sous des températures extrêmes, des fuites de pile peuvent se produire. En cas de contact du liquide avec la peau, rincer immédiatement la partie atteinte avec de l'eau. En cas d'éclaboussure dans les yeux, les rincer à l'eau fraîche pendant au moins 10 minutes, puis contacter immédiatement un médecin.** Le respect de cette règle réduira les risques de blessures graves.
- **Conserver ces instructions.** Les consulter fréquemment et les utiliser pour instruire les autres utilisateurs éventuels. Si cet outil est prêté, il doit être accompagné de ces instructions, afin d'éviter un usage incorrect et d'éventuelles blessures.

## PROPOSITION 65 DE LA CALIFORNIE

### AVERTISSEMENT :

Ce produit et la poussière dégagée lors du ponçage, sciage, meulage, perçage de certains matériaux et lors d'autres opérations de construction contient des produits chimiques reconnus causer le cancer, des malformations congénitales ou des lésions de l'appareil reproducteur. **Bien se laver les mains après toute manipulation.**




Voici certains exemples de ces produits chimiques :

- le plomb contenu dans la peinture au plomb,
- la silice cristalline contenue dans les briques, le béton et d'autres produits de maçonnerie, ainsi que
- l'arsenic et le chrome contenus dans le bois de construction traité par produits chimiques.






Le risque présenté par l'exposition à ces produits varie en fonction de la fréquence de ce type de travail. Pour réduire l'exposition, travailler dans un endroit bien aéré et utiliser des équipements de sécurité approuvés tels que masques antipoussière spécialement conçus pour filtrer les particules microscopiques.

# SYMBOLES

Les termes de mise en garde suivants et leur signification ont pour but d'expliquer le degré de risques associé à l'utilisation de ce produit.

SYMBOLE	SIGNAL	SIGNIFICATION
	<b>DANGER :</b>	Indique une situation extrêmement dangereuse qui, si elle n'est pas évitée, aura pour conséquences des blessures graves ou mortelles.
	<b>AVERTISSEMENT :</b>	Indique une situation potentiellement dangereuse qui, si elle n'est pas évitée, pourrait entraîner des blessures graves ou mortelles.
	<b>ATTENTION :</b>	Indique une situation potentiellement dangereuse qui, si elle n'est pas évitée, pourrait entraîner des blessures légères ou de gravité modérée.
	<b>ATTENTION :</b>	(Sans symbole d'alerte de sécurité) Indique une situation pouvant entraîner des dommages matériels.

Certains des symboles ci-dessous peuvent être utilisés sur produit. Veiller à les étudier et à apprendre leur signification. Une interprétation correcte de ces symboles permettra d'utiliser produit plus efficacement et de réduire les risques.

SYMBOLE	NOM	DÉSIGNATION / EXPLICATION
	Symbole d'alerte de sécurité	Indique un risque de blessure potentiel.
	Lire manuel d'utilisation	Pour réduire les risques de blessures, l'utilisateur doit lire et veiller à bien comprendre le manuel d'utilisation avant d'utiliser ce produit.
	Protection oculaire	Toujours porter une protection oculaire avec écrans latéraux certifiée conforme à la norme ANSI Z87.1.
	Avertissement concernant l'humidité	Ne pas exposer à la pluie ou l'humidité.
	Symbole recycler	Ce produit utilise les piles de nickel-cadmium (Ni-Cd) ou lithium-ion (Li-ion). Les réglementations locales ou gouvernementales peuvent interdire de jeter les piles dans les ordures ménagères. Consulter les autorités locales compétentes pour les options de recyclage et/ou l'élimination.
V	Volts	Tension
min	Minutes	Temps
—	Courant continu	Type ou caractéristique du courant
$n_0$	Vitesse à vide	Vitesse de rotation à vide
.../min	Par minute	Tours, coups, vitesse périphérique, orbites, etc., par minute



# CARACTÉRISTIQUES

## FICHE TECHNIQUE

Mandrin ..... 13 mm (1/2 po), sans clé  
Moteur ..... 18 V c.c.  
Commutateur ..... (VSR) Vitesse variable et réversible

Vitesse à vide ..... 0 à 440 / 0 à 1 600/min (RPM)  
Embrayage ..... 24 positions  
Couple ..... 38,4 N-m (340 po-lb)

## VEILLER À BIEN CONNAÎTRE LA PERCEUSE-TOURNEVIS

Voir la figure 1, page 12.

La sécurité d'utilisation de ce produit exige la compréhension des informations apposées sur l'outil et contenues dans ce manuel d'utilisation, ainsi que la connaissance du travail à exécuter. Avant d'utiliser ce produit, se familiariser avec toutes ses fonctions et règles de sécurité.

## RANGEMENT D'EMBOUS

Il est possible de loger les embouts fournis avec la perceuse dans le rangement situé sur la base de l'outil.

## SÉLECTEUR DE SENS DE ROTATION (AVANT / ARRIÈRE / VERROUILLAGE CENTRAL)

La perceuse est équipée d'un sélecteur de sens de rotation (avant / arrière / verrouillage central) situé au-dessus de la gâchette. Le sélecteur de sens de rotation peut être verrouillé en position **ARRÊT** (verrouillage central) pour empêcher le démarrage de l'outil lorsqu'il n'est pas utilisé.

## MANDRIN SANS CLÉ

Le mandrin sans clé permet de serrer les forets et de les libérer des mors à la main.

## NIVEAU

Un niveau est situé sur le dessus du logement du moteur pour faire en sorte que la mèche de perçage demeure à la même hauteur pendant l'utilisation.

## MAG TRAY™ (COMPARTIMENT POUR VIS)

Le plateau magnétique permet de ranger commodément les vis et autres petites pièces.

## BAGUE DE RÉGLAGE DU COUPLE

Cette perceuse est équipée d'un embrayage à 24 positions. La bague de réglage permet de sélectionner le couple approprié pour chaque application.

## TRAIN D'ENGRENAGES À DEUX VITESSES (BASSE-HAUTE)

La perceuse est équipée d'un train d'engrenages permettant de visser et percer à deux vitesses : **BASSE (1)** et **HAUTE (2)**. Un commutateur à glissière permet de sélectionner la vitesse **BASSE (1)** ou **HAUTE (2)**.

## VITESSE VARIABLE

La pression exercée sur la gâchette permet de contrôler la vitesse de rotation.

# ASSEMBLAGE

## DÉBALLAGE

Ce produit a été expédié complètement assemblé.

- Avec précaution, sortir l'outil et les accessoires de la boîte. S'assurer que toutes les pièces figurant sur la liste de contrôle sont incluses.



### AVERTISSEMENT :

Ne pas utiliser le produit s'il n'est pas complètement assemblé ou si des pièces semblent manquantes ou endommagées. Le fait d'utiliser un produit assemblé de façon inadéquate ou incomplète peut entraîner des blessures graves.

- Examiner soigneusement l'outil pour s'assurer que rien n'a été brisé ou endommagé en cours de transport.

- Ne pas jeter les matériaux d'emballage avant d'avoir soigneusement examiné l'outil et avoir vérifié qu'il fonctionne correctement.
- Si des pièces sont manquantes ou endommagées, appeler le 1-800-525-2579.

## LISTE DE CONTRÔLE D'EXPÉDITION

Perceuse-tournevis

Embout doubles

Manuel d'utilisation



### AVERTISSEMENT :

Si des pièces manquent ou sont endommagées, ne pas utiliser cet produit avant qu'elles aient été remplacées. Le fait d'utiliser ce produit même s'il contient des pièces endommagées ou s'il lui manque des pièces peut entraîner des blessures graves.

# ASSEMBLAGE

## AVERTISSEMENT :

Ne pas essayer de modifier cet produit ou de créer des accessoires non recommandés pour l'produit. De telles altérations ou modifications sont considérées comme un usage abusif et peuvent créer des conditions dangereuses, risquant d'entraîner des blessures graves.

## AVERTISSEMENT :

Pour empêcher un démarrage accidentel pouvant entraîner des blessures graves, toujours retirer le bloc de batterie de l'produit avant d'assembler des pièces.

# UTILISATION

## AVERTISSEMENT :

Ne pas laisser la familiarité avec l'produit faire oublier la prudence. Ne pas oublier qu'une fraction de seconde d'inattention peut entraîner des blessures graves.

## AVERTISSEMENT :

Toujours porter une protection oculaire avec écrans latéraux certifiée conforme à la norme ANSI Z87.1. Si cette précaution n'est pas prise, des objets peuvent être projetés dans les yeux et causer des lésions graves.

## AVERTISSEMENT :

Ne pas utiliser d'produits ou accessoires non recommandés par le fabricant pour cet outil. L'utilisation de pièces et accessoires non recommandés peut entraîner des blessures graves.

Si l'outil s'arrête en cours d'utilisation, relâcher la gâchette pour le réenclencher et reprendre l'opération. Si l'outil ne fonctionne toujours pas, cela signifie qu'il est nécessaire de recharger la pile.

## AVERTISSEMENT :

Toujours retirer la pile de l'outil au moment d'assembler des pièces, d'effectuer des réglages et de procéder au nettoyage, ou lorsque l'outil n'est pas utilisé. Le fait de retirer la pile permet d'empêcher un démarrage accidentel pouvant entraîner des blessures graves.

## INSTALLATION / RETRAIT DU BLOC-PILES

Voir la figure 2, page 12.

### Pour installer :

- Mettre le sélecteur de sens de rotation en position centrale.
- Insérer le bloc-piles dans la perceuse.
- S'assurer que ses deux loquets latéraux s'engagent correctement et vérifier que le bloc est solidement assujéti avant d'utiliser l'outil.

### Pour retirer :

- Appuyer sur les loquets de chaque côté du bloc-piles.
- Retirer le bloc-piles de perceuse.

## AVERTISSEMENT :

Les outils à piles sont toujours en état de fonctionnement. Il est donc nécessaire de toujours verrouiller la gâchette lorsque l'outil n'est pas en usage et pendant son transport.

## GÂCHETTE

Voir la figure 3, page 12.

Pour mettre la perceuse EN **MARCHE**, appuyer sur la gâchette. Pour **ARRÊTER**, relâcher la gâchette.

## APPLICATIONS

Cet produit peut être utilisé pour les applications ci-dessous :

- Perçage de tous types de produits en bois (bois d'oeuvre, contreplaqué, lambrissage, aggloméré et bois dur)
- Perçage de la céramique, du plastique, de la fibre de verre et des matériaux laminés
- Perçage du métal

Ce produit est compatible avec les piles 18 V au lithium-ion et au nickel cadmium de Ryobi One+.

Pour prendre connaissance de l'ensemble des instructions relatives à la charge, consulter les manuels d'utilisation des blocs-piles One+ de Ryobi et des modèles de chargeur connexes.

## CARACTÉRISTIQUES RELATIVES À LA PROTECTION DES PILES

Les piles au lithium ion de Ryobi sont conçues de manière à protéger les piles au lithium ion et à maximiser l'autonomie des piles.

# UTILISATION

## VITESSE VARIABLE

La pression exercée sur la gâchette permet de contrôler la vitesse de rotation.

**NOTE :** La gâchette peut produire un bruit de sifflement ou de grincement pendant le fonctionnement. Ne pas s'inquiéter, ce bruit fait partie du fonctionnement normal.

## SÉLECTEUR DE SENS DE ROTATION (AVANT / ARRIÈRE / VERROUILLAGE CENTRAL)

Voir la figure 3, page 12.

Le sens de rotation est commandé par un sélecteur situé au-dessus de la gâchette. La perceuse étant tenue en position normale d'utilisation, le sélecteur de sens de rotation doit être tourné vers la gauche pour percer. Le sens de rotation est inversé lorsque le sélecteur est tourné vers la droite.

La sélecteur de sens de rotation peut être verrouillée en position d'**ARRÊT** (position centrale) pour empêcher le démarrage accidentel de l'outil lorsqu'il n'est pas utilisé.

### ATTENTION :

Pour éviter des dommages aux engrenages, toujours laisser le mandrin parvenir à l'arrêt complet avant de changer de sens de rotation.

Pour arrêter la perceuse, relâcher la gâchette et laisser le moteur parvenir à l'arrêt complet.

**NOTE :** La perceuse ne peut fonctionner que si le sélecteur de sens de rotation est poussé à fond vers la droite ou la gauche.

Éviter d'utiliser la perceuse à basse vitesse pendant des périodes prolongées. Ceci pourrait causer une surchauffe. Si la perceuse surchauffe, la refroidir en la laissant tourner à vide et à la vitesse maximum.

## MANDRIN SANS CLÉ

Voir la figure 4, page 12.

La perceuse est équipée d'un mandrin sans clé permettant de serrer les forets et embouts à la main. Saisir le collier du mandrin d'une main. Tourner le corps du mandrin avec l'autre main. Les flèches gravées sur le mandrin indiquent dans quel sens tourner pour **LOCK** (serrer) ou **UNLOCK** (desserrer) le foret.



### AVERTISSEMENT :

Ne pas tenir le corps du mandrin d'une main et utiliser la force du moteur pour serrer les mors du mandrin sur le foret ou l'embout. Le mandrin pourrait glisser de la main et celle-ci risquerait d'être heurtée par le foret en rotation. Ceci pourrait entraîner des blessures graves.

## TRAIN D'ENGRENAGES À DEUX VITESSES (HAUTE ET BASSE)

Voir la figure 5, page 12.

La perceuse est équipée d'un train d'engrenages permettant de visser et percer à deux vitesses : **BASSE (1)** et **HAUTE (2)**. Un commutateur à glissière permet de sélectionner la vitesse **BASSE (1)** ou **HAUTE (2)**. Lorsque la gamme **BASSE (1)** est utilisée, l'outil offre davantage de puissance et de couple. Lorsque la vitesse **HAUTE (2)** est utilisée, la vitesse augmente et l'outil offre moins de puissance et de couple. Utiliser la vitesse **BASSE (1)** pour les applications exigeant beaucoup de puissance et de couple, et la vitesse **HAUTE (2)** pour visser ou percer rapidement.


## EMBRAYAGE DE COUPLE RÉGLABLE

Ce produit est doté d'un embrayage à couple réglable permettant d'enfoncer différents types de vis dans différents matériaux. Le réglage dépend du type de matériau et de la taille de la vis utilisée.

## RÉGLAGE DU COUPLE

Voir la figure 6, page 12.

Une bague de réglage de couple à 24 positions se trouve à l'avant de la perceuse.

- Tourner la bague sur le réglage désiré.
  - 1 à 4 pour les vis de petite taille
  - 5 à 8 pour le vissage dans des matériaux tendres
  - 9 à 12 pour le vissage dans des matériaux tendres ou durs
  - 13 à 16 pour le vissage dans du bois dur
  - 17 à 20 pour les vis de grande taille
  - 21 à  pour les travaux de perçage les plus durs

## RANGEMENT D'EMBOU

Voir la figure 7, page 13.

Lorsqu'ils ne sont pas utilisés, il est possible de loger les embouts fournis avec la perceuse dans le rangement situé sur la base de l'outil.

## MAG TRAY™ (COMPARTIMENT POUR VIS)

Voir la figure 7, page 13.

Le plateau magnétique permet de ranger commodément les vis et autres petites pièces.

## INSTALLATION DES EMBOUTS

Voir les figures 8 et 9, page 13.

- Verrouiller la gâchette en mettant le sélecteur de sens de rotation en position centrale.
- Ouvrir les mors du foret de manière à pouvoir insérer l'embout à utiliser. Relever légèrement l'avant de la perceuse pour empêcher le foret de s'échapper des mors du mandrin.

# UTILISATION

- Insérer l'embout.

## AVERTISSEMENT :

Veiller à insérer le foret ou l'embout droit dans les mors du mandrin. Ne pas insérer un foret dans les mors en serrant comme illustré à la figure 9. Le foret pourrait être éjecté de la perceuse et causer des blessures graves ou endommager le mandrin.

- Tourner le mandrin vers la droite pour serrer les mors sur le foret.

**NOTE :** Tourner le corps du mandrin dans le sens de la flèche marquée **LOCK** (serrer) pour serrer les mors. Ne pas utiliser une clé pour serrer ou desserrer les mors du mandrin.

## RETRAIT DES EMBOUTS

Voir la figure 8, page 13.

- Verrouiller la gâchette en mettant le sélecteur de sens de rotation en position centrale.
- Ouvrir les mors en tournant le manchon du mandrin vers la droite.

**NOTE :** Tourner le corps du mandrin dans le sens de la flèche marquée **UNLOCK** (desserrer) pour desserrer les mors. Ne pas utiliser une clé pour serrer ou desserrer les mors du mandrin.

- Retirer le foret.

## PERÇAGE

Voir la figure 10, page 13.

Un niveau est situé sur le dessus du logement du moteur pour faire en sorte que la mèche de perçage demeure à la même hauteur pendant l'utilisation.

- Vérifier la position du sélecteur de rotation (rotation avant ou arrière).
- Bloquer la pièce de travail dans un étau ou avec des serre-joints pour l'empêcher de tourner avec le foret.
- Tenir la perceuse fermement et placer la pointe du foret à l'endroit à percer.
- Appuyer sur la gâchette pour mettre le foret en rotation.
- Percer en appuyant sur la perceuse juste assez pour que le foret morde dans le matériau. Ne pas forcer la perceuse ou appliquer une force latérale pour élargir un trou. Laisser l'outil effectuer le travail.

## AVERTISSEMENT :

Se tenir prêt pour un blocage lorsque le foret traverse le matériau. Dans ces situations, la perceuse a tendance à être propulsée dans le sens contraire à la rotation, ce qui peut causer la perte de contrôle. Si l'opérateur n'est pas préparé, cette perte de contrôle peut entraîner des blessures graves.

- Avant de percer un matériau dur et lisse, poinçonner l'emplacement du trou. Cette précaution empêchera le foret de glisser au départ du trou.
- Lors du perçage de métaux, appliquer de l'huile légère sur le foret pour l'empêcher de surchauffer. Cette huile prolongera la vie utile du foret et facilitera le perçage.
- Si le foret se bloque dans la pièce ou si la perceuse cale, l'arrêter immédiatement. Sortir le foret de la pièce et déterminer la raison du blocage.

**NOTE :** Cette perceuse est équipée d'un frein électrique. Lorsque la gâchette est relâchée, le mandrin cesse de tourner. Si le frein fonctionne correctement, des étincelles sont visibles au travers des trous d'aération du corps de l'outil. Ces étincelles, causées par le fonctionnement du frein, sont normales.

## PERÇAGE DU BOIS

Pour une performance optimale, utiliser des forets en acier haute vitesse pour le perçage du bois.

- Commencer le perçage à basse vitesse pour éviter que la pointe du foret ne glisse. Augmenter la vitesse une fois que le foret a mordu dans le matériau.
- Lors du perçage de trous traversants, placer un morceau de bois derrière la pièce pour éviter l'éclatement du bord inférieur du trou.

## PERÇAGE DU MÉTAL

Pour une performance optimale, utiliser des forets en acier haute vitesse pour métal ou acier.

- Commencer le perçage à basse vitesse pour éviter que la pointe du foret ne glisse.
- Appuyer sur la gâchette de façon à maintenir une vitesse ne causant pas la surchauffe du foret. Une pression excessive causerait :
  - La surchauffe de la perceuse ;
  - Une usure excessive des roulements ;
  - La déformation ou le brûlage du foret ; et
  - Des trous décentrés ou de forme irrégulière.
- Lors du perçage de gros trous dans le métal, nous recommandons de commencer avec un foret de petite taille avant d'élargir le trou avec le foret du diamètre désiré. Lubrifier le foret avec de l'huile afin de prolonger la vie utile du foret et de faciliter le perçage.

# ENTRETIEN

## AVERTISSEMENT :

Utiliser exclusivement des pièces d'origine pour les réparations. L'usage de toute autre pièce pourrait créer une situation dangereuse ou endommager l'produit.

## AVERTISSEMENT :

Toujours porter une protection oculaire avec écrans latéraux certifiée conforme à la norme ANSI Z87.1. Si cette précaution n'est pas prise, des objets peuvent être projetés dans les yeux et causer des lésions graves.

## AVERTISSEMENT :

Pour empêcher un démarrage accidentel pouvant entraîner des blessures graves, toujours retirer le piles de l'produit avant tout nettoyage ou entretien.

## ENTRETIEN GÉNÉRAL

Éviter d'utiliser des solvants pour le nettoyage des pièces en plastique. La plupart des matières plastiques peuvent être endommagées par divers types de solvants du commerce. Utiliser un chiffon propre pour éliminer la saleté, la poussière, l'huile, la graisse, etc.

## AVERTISSEMENT :

Ne jamais laisser de liquides tels que le fluide de freins, l'essence, les produits à base de pétrole, les huiles pénétrantes, etc., entrer en contact avec les pièces en plastique. Les produits chimiques peuvent endommager, affaiblir ou détruire le plastique, ce qui peut entraîner des blessures graves.

Seules les pièces figurant sur la liste de contrôle sont conçues pour être réparées ou remplacées par l'utilisateur. Toutes les autres pièces doivent être remplacées dans un centre de réparations agréé.

## RETRAIT ET PRÉPARATION DU PILES POUR LE RECYCLAGE

### AVERTISSEMENT :

Après avoir retiré le piles, couvrir ses bornes avec un ruban adhésif de qualité industrielle. Ne pas essayer de démonter ou détruire le piles, ni de retirer des composants quels qu'ils soient. Les piles épuisées doivent être recyclées ou éliminées selon une méthode appropriée. Ne jamais toucher les deux bornes avec des objets en métal ou une partie du corps, car cela pourrait créer un court-circuit. Garder hors de la portée des enfants. Le non-respect de ces mises en garde peut résulter en un incendie et/ou des blessures graves.

## RETRAIT DU MANDRIN

*Voir les figures 11 à 13, page 13.*

Le mandrin peut être retiré et remplacé.

- Verrouiller la gâchette en mettant le sélecteur de sens de rotation en position centrale.
  - Insérer une clé hexagonale de 7,9 mm (5/16 po) ou plus grosse dans le mandrin et serrer fermement ce dernier.
  - Frapper la clé vers la droite d'un coup sec avec un maillet. Ceci desserre la vis de fixation du mandrin et permet de le retirer facilement.
  - Ouvrir les mors et retirer la clé hexagonale. Retirer la vis du mandrin en la tournant vers la droite avec un tournevis.
- NOTE :** La vis du mandrin est filetée à gauche.
- Insérer la clé hexagonale dans le mandrin et serrer fermement les mors. Frapper d'un coup sec avec un maillet (vers la gauche). Ceci desserre le mandrin sur la broche. Le mandrin peut maintenant être dévissé à la main.

## SERRAGE D'UN MANDRIN DESSERRÉ

Le mandrin peut se desserrer sur la broche et se mettre à brouter. En outre, la vis du mandrin peut se desserrer et causer le blocage des mors et empêcher leur fermeture.

**Pour serrer :**

- Verrouiller la gâchette en mettant le sélecteur de sens de rotation en position centrale.
- Ouvrir les mors du mandrin.
- Insérer la clé hexagonale dans le mandrin et serrer fermement les mors. Frapper la clé vers la droite d'un coup sec avec un maillet. Ceci serre le mandrin sur la broche.
- Ouvrir les mors et retirer la clé hexagonale.
- Serrer la vis du mandrin.

**FIGURES (ILLUSTRATIONS) COMMENÇANT SUR  
12 DE PAGE APRÈS LA SECTION ESPAGNOL.**

# ÍNDICE DE CONTENIDO

■ Introducción.....	2
■ Garantía .....	2
■ Advertencias de seguridad para herramientas eléctricas .....	3-4
■ Advertencias de seguridad taladro-destornillador .....	5
■ Símbolos.....	6
■ Características.....	7
■ Armado .....	7-8
■ Funcionamiento.....	8-10
■ Mantenimiento.....	11
■ Figura numeras (ilustraciones).....	12-13
■ Pedidos de piezas / Servicio .....	Pág. posterior

## INTRODUCCIÓN

Este producto ofrece numerosas características para hacer más agradable y placentero su uso. En el diseño de este producto se ha conferido prioridad a la seguridad, el desempeño y la fiabilidad, por lo cual se facilita su manejo y mantenimiento.

## GARANTÍA

### HERRAMIENTAS ELÉCTRICAS RYOBI® – GARANTÍA LIMITADA DE TRES AÑOS Y POLÍTICA DE INTERCAMBIO A LOS 90 DÍAS

One World Technologies, Inc., garantiza sus herramientas eléctricas con las siguientes condiciones:

**POLÍTICA DE INTERCAMBIO A LOS 90 DÍAS:** Durante los primeros 90 días a partir de la fecha de compra, usted puede solicitar servicio al amparo de esta garantía o puede intercambiar cualquier herramienta eléctrica RYOBI® que no funcione correctamente debido a defectos en los materiales o en la mano de obra, devolviéndola en el establecimiento donde la adquirió. Para recibir la herramienta eléctrica de reemplazo o el servicio de garantía solicitado, debe presentar documentación de prueba de la compra, y devolver el equipo original empaquetado con el producto original. La herramienta eléctrica de reemplazo queda cubierta por la garantía limitada por el resto del período de garantía de tres años a partir de la fecha de la compra original.

**LO QUE CUBRE ESTA GARANTÍA:** Esta garantía cubre todos los defectos en material y en mano de obra empleados en la herramienta eléctrica RYOBI® por un período de tres años a partir de la fecha de compra. Con excepción de las baterías, los accesorios de las herramientas eléctricas están garantizados por noventa (90) días. Las baterías están garantizadas por tres años.

**FORMA DE OBTENER SERVICIO:** Simplemente envíe la herramienta eléctrica debidamente empaquetada y con el flete pagado por anticipado a un centro de servicio autorizado. Puede obtener información sobre la ubicación del centro de servicio autorizado más cercano escribiendo a One World Technologies, Inc., P.O. Box 1207, Anderson, SC 29622-1207, USA, llamando al 1-800-525-2579 o dirigiéndose al sitio en Internet, [www.ryobitools.com](http://www.ryobitools.com). Al solicitar servicio al amparo de la garantía, debe presentar documentación de prueba de la compra que incluya la fecha de ésta (por ejemplo un recibo de venta). Repararemos toda mano de obra deficiente del producto, y reparamos o reemplazamos cualquier pieza defectuosa, a nuestra sola discreción. Lo hacemos sin cargarle ningún costo al consumidor. Efectuamos el trabajo en un período de tiempo razonable, pero en todo caso en menos de noventa (90) días.

**LO QUE NO ESTÁ CUBIERTO:** Esta garantía se ofrece exclusivamente al comprador original al menudeo y no puede transferirse. Esta garantía sólo cubre defectos que aparezcan en el uso normal de la herramienta y no cubre ningún malfuncionamiento, falla o defecto producido por el uso indebido, maltrato, negligencia, alteración, modificación o reparación efectuada por terceros diferentes de los centros de servicio autorizados. One World Technologies, Inc. no ofrece ninguna garantía, declaración o promesa en relación con la calidad o el desempeño de sus herramientas eléctricas más que las señaladas específicamente en esta garantía.

**LIMITACIONES ADICIONALES:** Toda garantía otorgada de conformidad con las leyes estatales, incluidas las garantías de comerciabilidad o idoneidad para un uso en particular, está limitada a tres años a partir de la fecha de compra. One World Technologies, Inc. no es reponsable de daños directos, indirectos o incidentales, por lo tanto es posible que las limitaciones y exclusiones descritas arriba no se apliquen en el caso de usted. Esta garantía le confiere derechos legales específicos, y es posible que usted goce de otros derechos, los cuales pueden variar de estado a estado.

# ADVERTENCIAS DE SEGURIDAD PARA HERRAMIENTAS ELÉCTRICAS



## ADVERTENCIA

Lea todas las advertencias de seguridad y las instrucciones. El incumplimiento de las advertencias e instrucciones puede ocasionar descarga eléctrica, fuego o lesiones graves.

Guarde todas las advertencias e instrucciones para futuras consultas. El término “herramienta eléctrica” empleado en todos los avisos de advertencia enumerados abajo se refiere a las herramientas eléctricas de cordón (alámbricas) y de baterías (inalámbricas).

### SEGURIDAD EN EL ÁREA DE TRABAJO

- **Mantenga limpia y bien iluminada el área de trabajo.** Un área de trabajo mal despejada o mal iluminada propicia accidentes.
- **No utilice herramientas motorizadas en atmósferas explosivas, como las existentes alrededor de líquidos, gases y polvos inflamables.** Las herramientas eléctricas generan chispas que pueden encender el polvo y los vapores inflamables.
- **Mantenga alejados a los niños y circunstantes al maniobrar una herramienta eléctrica.** Toda distracción puede causar pérdida del control de la herramienta.

### SEGURIDAD ELÉCTRICA

- **Las clavijas de las herramientas eléctricas deben corresponder a las tomas de corriente donde se conectan. Nunca modifique la clavija de ninguna forma. No utilice ninguna clavija adaptadora con herramientas eléctricas dotadas de contacto a tierra.** Conectando las clavijas originales en las tomas de corriente donde corresponden se disminuye el riesgo de una descarga eléctrica.
- **Evite el contacto del cuerpo con las superficies de objetos que estén haciendo tierra o estén conectados a ésta, como tuberías, radiadores, estufas y refrigeradores.** Existe un mayor riesgo de descargas eléctricas si el cuerpo está haciendo tierra.
- **No exponga las herramientas eléctricas a la lluvia ni a condiciones de humedad.** La introducción de agua en una herramienta eléctrica aumenta el riesgo de descargas eléctricas.
- **No maltrate el cordón eléctrico. Nunca utilice el cordón para trasladar, desconectar o tirar de la herramienta eléctrica. Mantenga el cordón alejado del calor, del aceite, de bordes afilados y de piezas móviles.** Los cordones eléctricos dañados o enredados aumentan el riesgo de descargas eléctricas.
- **Al utilizar una herramienta eléctrica a la intemperie, use un cordón de extensión apropiado para el exterior.** Usando un cordón adecuado para el exterior se disminuye el riesgo de descargas eléctricas.

- **Si inevitablemente debe utilizar una herramienta eléctrica en un lugar húmedo, utilice un interruptor de circuito con pérdida a tierra (GFCI) para tener un suministro protegido.** El uso de un GFCI disminuye el riesgo de descarga eléctrica.
- **Cargue las baterías solamente con el cargador indicado.** Para utilizar con paquetes de baterías de níquel-cadmio de 18 V o de iones de litio de 18 V, consulte el folleto de la herramienta/aparato/paquete de baterías/cargador complementario 987000-432.

### SEGURIDAD PERSONAL

- **Permanezca alerta, preste atención a lo que esté haciendo y aplique el sentido común al utilizar herramientas eléctricas. No utilice la herramienta eléctrica si está cansado o se encuentra bajo los efectos de alguna droga, alcohol o medicamento.** Un momento de inatención al utilizar una herramienta eléctrica puede causar lesiones corporales serias.
- **Use equipo de seguridad. Siempre póngase protección ocular.** El uso de equipo de seguridad como mascarilla para el polvo, calzado de seguridad, casco y protección para los oídos en las circunstancias donde corresponda disminuye el riesgo de lesiones.
- **Evite un arranque accidental de la unidad. Asegúrese de que el interruptor esté en la posición de apagado antes de conectar la herramienta.** Portar las herramientas eléctricas con el dedo en el interruptor, o conectarlas con el interruptor puesto, propicia accidentes.
- **Retire toda llave o herramienta de ajuste antes de encender la herramienta eléctrica.** Toda llave o herramienta de ajuste dejada en una pieza giratoria de la herramienta eléctrica puede causar lesiones.
- **No estire el cuerpo para alcanzar mayor distancia. Mantenga una postura firme y buen equilibrio en todo momento.** De esta manera se logra un mejor control de la herramienta eléctrica en situaciones inesperadas.
- **Vístase adecuadamente. No vista ropas holgadas ni joyas. Mantenga el cabello, la ropa y los guantes alejados de las piezas móviles.** Las ropas holgadas, las joyas y el cabello largo pueden engancharse en las piezas móviles.
- **Si se suministran dispositivos para conectar mangueras de extracción y captación de polvo, asegúrese de que éstas estén bien conectadas y se usen correctamente.** La utilización de captador de polvo puede disminuir los peligros relacionados con el polvo.
- **No vista ropas holgadas ni joyas. Recójase el cabello si está largo.** Las ropas holgadas y las joyas, así como el cabello largo, pueden resultar atraídas hacia el interior de las aberturas de ventilación.

# ADVERTENCIAS DE SEGURIDAD PARA HERRAMIENTAS ELÉCTRICAS

- **No utilice la unidad al estar en una escalera o en un soporte inestable.** Una postura estable sobre una superficie sólida permite un mejor control de la herramienta eléctrica en situaciones inesperadas.

## EMPLEO Y CUIDADO DE LA HERRAMIENTA ELÉCTRICA

- **No fuerce la herramienta eléctrica. Utilice la herramienta eléctrica adecuada para cada trabajo.** La herramienta eléctrica adecuada efectúa mejor y de manera más segura el trabajo, si además se maneja a la velocidad para la que está diseñada.
- **No utilice la herramienta si el interruptor no enciende o no apaga.** Cualquier herramienta eléctrica que no pueda controlarse con el interruptor es peligrosa y debe repararse.
- **Desconecte la clavija del suministro de corriente o retire el paquete de baterías de la herramienta eléctrica, según sea el caso, antes de efectuarle cualquier ajuste, cambiarle accesorios o guardarla.** Tales medidas preventivas de seguridad reducen el riesgo de poner en marcha accidentalmente la herramienta.
- **Guarde las herramientas eléctricas desocupadas fuera del alcance de los niños y no permita que las utilicen personas no familiarizadas con las mismas o con estas instrucciones.** Las herramientas eléctricas son peligrosas en manos de personas no capacitadas en el uso de las mismas.
- **Preste servicio a las herramientas eléctricas. Revise para ver si hay desalineación o atoramiento de piezas móviles, ruptura de piezas o cualquier otra condición que pueda afectar el funcionamiento de la herramienta. Si está dañada la herramienta eléctrica, permita que la reparen antes de usarla.** Numerosos accidentes son causados por herramientas eléctricas mal cuidadas.
- **Mantenga las herramientas de corte afiladas y limpias.** Las herramientas de corte bien cuidadas y con bordes bien afilados, tienen menos probabilidad de atascarse en la pieza de trabajo y son más fáciles de controlar.

- **Utilice la herramienta eléctrica, los accesorios y brocas, hojas y cuchillas de corte, ruedas de esmeril, etc. de conformidad con estas instrucciones, tomando en cuenta las condiciones de trabajo y la tarea por realizar.** Si se utiliza la herramienta eléctrica para operaciones diferentes de las indicadas podría originar una situación peligrosa.

## EMPLEO Y CUIDADO DE LA HERRAMIENTA DE BATERÍAS

- **Sólo cargue el paquete de baterías con el cargador especificado por el fabricante.** Un cargador adecuado para un tipo paquete de baterías puede significar un riesgo de incendio si se emplea con un paquete de baterías diferente.
- **Utilice las herramientas eléctricas sólo con los paquetes de baterías específicamente indicados.** El empleo de paquetes de baterías diferentes puede presentar un riesgo de incendio.
- **Cuando no esté utilizándose el paquete de baterías, manténgalo lejos de otros objetos metálicos, como clips, monedas, llaves, clavos, tornillos o otros objetos metálicos, pequeños que puedan establecer conexión entre ambas terminales.** Establecer una conexión directa entre las dos terminales de las baterías puede causar quemaduras o incendios.
- **Si se maltratan las baterías, puede derramarse líquido de las mismas; evite todo contacto con éste. En caso de contacto, lávese con agua. Si el líquido llega a tocar los ojos, además busque atención médica.** El líquido de las baterías puede causar irritación y quemaduras.

## SERVICIO

- **Permita que un técnico de reparación calificado preste servicio a la herramienta eléctrica, y sólo con piezas de repuesto idénticas.** De esta manera se mantiene la seguridad de la herramienta eléctrica.
- **Al dar servicio a una herramienta eléctrica, sólo utilice piezas de repuesto idénticas. Siga las instrucciones señaladas en la sección Mantenimiento de este manual.** El empleo de piezas no autorizadas o el incumplimiento de las instrucciones de mantenimiento puede significar un riesgo de descarga eléctrica o de lesiones.



# ADVERTENCIAS DE SEGURIDAD TALADRO-DESTORNILLADOR

- **Utilice el mango auxiliar(s), si se suministra con la herramienta.** Cualquier pérdida de control puede causar lesiones.
- **Sujete las herramientas eléctricas por las superficies aisladas de sujeción al efectuar una operación en la cual la herramienta de corte pueda entrar en contacto con cables ocultos o con su propio cordón eléctrico.** Todo contacto de una herramienta con un cable cargado carga las piezas metálicas expuestas de la herramienta y da una descarga eléctrica al operador.
- **Familiarícese con su herramienta eléctrica. Lea cuidadosamente el manual del operador. Aprenda sus usos y limitaciones, así como los posibles peligros específicos de esta herramienta eléctrica.** Con el cumplimiento de esta regla se reduce el riesgo de una descarga eléctrica, incendio o lesión seria.
- **Siempre póngase protección ocular con la marca de cumplimiento de la norma ANSI Z87.1.** Con el cumplimiento de esta regla se reduce el riesgo de lesiones corporales serias.
- **Protéjase los pulmones. Use una careta o mascarilla contra el polvo si la operación genera mucho polvo.** Con el cumplimiento de esta regla se reduce el riesgo de lesiones serias.
- **Protéjase los oídos. Durante períodos prolongados de utilización del producto, póngase protección para los oídos.** Con el cumplimiento de esta regla se reduce el riesgo de lesiones corporales serias.
- **No se necesita conectar a una toma de corriente las herramientas de baterías; por lo tanto, siempre están en condiciones de funcionamiento. Esté consciente de los posibles peligros cuando no esté usando la herramienta de baterías o cuando esté cambiando los accesorios de la misma.** Con el cumplimiento de esta regla se reduce el riesgo de una descarga eléctrica, incendio o lesión corporal seria.
- **No coloque herramientas de baterías ni las baterías mismas cerca del fuego o del calor.** De esta manera se reduce el riesgo de explosiones y de lesiones.
- **No aplaste, deje caer o dañe de baterías. Nunca utilice una batería o cargador que se ha caído, aplastado, recibido un golpe contundente o ha sido dañado(a) de alguna manera.** Las baterías dañadas pueden sufrir explosiones. Deseche de inmediato toda batería que haya sufrido una caída o cualquier daño.
- **Las baterías pueden explotar en presencia de fuentes de inflamación, como los pilotos de gas.** Para reducir el riesgo de lesiones serias, nunca use un producto inalámbrico en presencia de llamas expuestas. La explosión de una batería puede lanzar fragmentos y compuestos químicos. Si ha quedado expuesto a la explosión de una batería, lávese de inmediato con agua.
- **No cargue herramientas de baterías en lugares mojados o húmedos.** Con el cumplimiento de esta regla se reduce el riesgo de una descarga eléctrica.
- **Para obtener resultados óptimos, debe cargar la herramienta de baterías en un lugar donde la temperatura esté entre 10 y 38 °C (entre 50 y 100 °F). No guarde la herramienta a la intemperie ni en el interior de vehículos.**
- **En condiciones extremas de uso o temperatura las baterías pueden emanar líquido. Si el líquido llega a tocarle la piel, lávese de inmediato con agua y jabón. Si le entra líquido en los ojos, láveselos con agua limpia por lo menos 10 minutos, y después busque de inmediato atención médica.** Con el cumplimiento de esta regla se reduce el riesgo de lesiones corporales serias.
- **Guarde estas instrucciones.** Consúltelas con frecuencia y empléelas para instruir a otras personas que puedan utilizar esta herramienta. Si presta a alguien esta herramienta, facilítele también las instrucciones.

## CALIFORNIA - PROPUESTA DE LEY NÚM. 65

### ADVERTENCIA:

Este producto puede contener sustancias químicas (por ejemplo, plomo) reconocidas por el estado de California como causantes de cáncer, defectos congénitos y otras afecciones del aparato reproductor. **Lávese las manos después de utilizar el aparato.**




Algunos ejemplos de estas sustancias químicas son:

- plomo de las pinturas a base de plomo,
- silicio cristalino de los ladrillos, del cemento y de otros productos de albañilería, y
- arsénico y cromo de la madera químicamente tratada.






El riesgo de la exposición a estos compuestos varía, según la frecuencia con que se realice este tipo de trabajo. Para reducir la exposición personal, trabaje en áreas bien ventiladas, y con equipo de seguridad aprobado, tal como las caretas para el polvo especialmente diseñadas para filtrar partículas microscópicas.

# SÍMBOLOS

Las siguientes palabras de señalización y sus significados tienen el objeto de explicar los niveles de riesgo relacionados con este producto.

SÍMBOLO	SEÑAL	SIGNIFICADO
	<b>PELIGRO:</b>	Indica una situación peligrosa inminente, la cual, si no se evita, causará la muerte o lesiones serias.
	<b>ADVERTENCIA:</b>	Indica una situación peligrosa posible, la cual, si no se evita, podría causar la muerte o lesiones serias.
	<b>PRECAUCIÓN:</b>	Indica una situación peligrosa posible, la cual, si no se evita, podría causar lesiones menores o leves.
	<b>PRECAUCIÓN:</b>	(Sin el símbolo de alerta de seguridad) Indica una situación que puede producir daños materiales.

Es posible que se empleen en este producto algunos de los siguientes símbolos. Le suplicamos estudiarlos y aprender su significado. Una correcta interpretación de estos símbolos le permitirá utilizar mejor y de manera más segura el producto.

SÍMBOLO	NOMBRE	DENOMINACIÓN/EXPLICACIÓN
	Alerta de seguridad	Indica un peligro posible de lesiones personales.
	Lea el manual del operador	Para reducir el riesgo de lesiones, el usuario debe leer y comprender el manual del operador antes de usar este producto.
	Protección ocular	Siempre póngase protección ocular con protección lateral con la marca de cumplimiento de la norma ANSI Z87.1.
	Alerta de condiciones húmedas	No exponga la unidad a la lluvia ni la use en lugares húmedos.
	Símbolos reciclar	Este producto contiene baterías de níquel-cadmio (Ni-Cd) o iones de litio (Li-ion). Es posible que algunas leyes municipales, estatales o federales prohíban desechar las baterías de níquel-cadmio en la basura normal. Consulte a las autoridades reguladoras de desechos para obtener información en relación con las alternativas de reciclado y desecho disponibles.
V	Volts	Voltaje
min	Minutos	Tiempo
==	Corriente continua	Tipo o característica de corriente
n <sub>0</sub>	Velocidad en vacío	Velocidad de rotación, en vacío
.../min	Por minuto	Revoluciones, carreras, velocidad superficial, órbitas, etc., por minuto

# CARACTERÍSTICAS

## ESPECIFICACIONES DEL PRODUCTO

Portabrocas ..... 13 mm (1/2 pulg.), de apriete sin llave  
Motor ..... 18 V corr. cont.  
Interruptor ..... (VSR) Velocidad variable e invertible

Velocidad en vacío ..... 0-440 / 0-1 600/min (RPM)  
Embrague ..... 24 posiciones  
Fuerza de torsión ..... 38,4 N-m (340 lb-pulg.)

## FAMILIARÍCESE CON EL TALADRO DESTORNILLADOR

Vea la figura 1, página 12.

Para usar este producto con la debida seguridad se debe comprender la información indicada en la herramienta misma y en este manual, y se debe comprender también el trabajo que intenta realizar. Antes de usar este producto, familiarícese con todas las características de funcionamiento y normas de seguridad del mismo.

## COMPARTIMIENTO DE PUNTAS DE DESTORNILLADOR

Las brocas suministradas con el taladro pueden colocarse en el compartimiento que se encuentra en la base de esta herramienta.

## SELECTOR DE SENTIDO DE ROTACIÓN (MARCHA ADELANTE / ATRÁS / SEGURO EN EL CENTRO)

El taladro dispone de un selector de sentido de giro (marcha adelante / atrás / seguro en el centro) situado arriba del gatillo del interruptor para cambiar el sentido de giro de la broca. Si se pone un selector de sentido de giro en la posición de **APAGADO** (seguro en el centro) se evita el peligro de arrancar accidentalmente la herramienta cuando no está usándose.

## PORTABROCAS DE APRIETE SIN LLAVE

El portabrocas de apriete sin llave permite apretar o aflojar a mano la broca en las mordazas del portabrocas.

## NIVEL

Hay un nivel ubicado en la parte superior del alojamiento del motor para mantener nivelada la broca durante el uso de la herramienta.

## MAG TRAY™ (COMPARTIMIENTO PARA TORNILLOS)

La bandeja magnética sirve para guardar de forma conveniente tornillos y otras partes pequeñas

## ANILLO DE AJUSTE DE FUERZA DE TORSIÓN

El taladro incorpora un embrague de 24 posiciones. El anillo de ajuste de la fuerza de torsión puede girarse para escoger la cantidad correcta de torsión necesaria en cada caso.

## ENGRANAJE DE DOS VELOCIDADES (ALTA-BAJA)

El engranaje de dos velocidades taladra o atornilla a velocidad **BAJA**, posición (1) o **ALTA**, posición (2). Hay un interruptor deslizante en la parte superior del taladro para seleccionar velocidad **BAJA**, posición (1), o **ALTA**, posición (2).

## VELOCIDAD VARIABLE

El gatillo del interruptor produce mayor velocidad cuanto mayor presión se aplica en el gatillo, y menor velocidad cuanto menor presión se aplica en el mismo.

# ARMADO

## DESEMPAQUETADO

Embarcamos este producto completamente armado.

- Extraiga cuidadosamente de la caja la producto y los accesorios. Asegúrese de que estén presentes todos los artículos enumerados en la lista de empaquetado.



### ADVERTENCIA:

No use este producto si no está totalmente ensamblado o si alguna pieza falta o está dañada. Si utiliza un producto que no se encuentra ensamblado de forma correcta y completa, puede sufrir lesiones graves.

- Inspeccione cuidadosamente la producto para asegurarse de que no haya sufrido ninguna rotura o daño durante el transporte.
- No deseche el material de empaquetado hasta que haya inspeccionado cuidadosamente la producto y la haya utilizado satisfactoriamente.
- Si hay piezas dañadas o faltantes, le suplicamos llamar al 1-800-525-2579, donde le brindaremos asistencia.

## LISTA DE EMPAQUETADO

Taladro-destornillador  
Punta de destornillador dobles  
Manual del operador

## ARMADO

### **ADVERTENCIA:**

Si hay piezas dañadas o faltantes, no utilice este producto sin haber reemplazado las piezas dañadas o faltantes. Usar este producto con partes dañadas o faltantes puede causar lesiones serias al operador.

### **ADVERTENCIA:**

No intente modificar este producto ni hacer accesorios no recomendados para la misma. Cualquier alteración o modificación constituye maltrato el cual puede causar una condición peligrosa, y como consecuencia posibles lesiones corporales serias.

### **ADVERTENCIA:**

Para evitar un arranque accidental que podría causar lesiones corporales serias, siempre desmonte de la producto el paquete de baterías al montarle piezas a aquélla.

## FUNCIONAMIENTO

### **ADVERTENCIA:**

No permita que su familiarización con los productos lo vuelva descuidado. Tenga presente que un descuido de un instante es suficiente para causar una lesión grave.

### **ADVERTENCIA:**

Siempre póngase protección ocular con protección lateral con la marca de cumplimiento de la norma ANSI Z87.1. La inobservancia de esta advertencia puede permitir que los objetos lanzados hacia los ojos puedan provocar lesiones graves.

### **ADVERTENCIA:**

No utilice ningún aditamento o accesorio no recomendado por el fabricante de este producto. El empleo de aditamentos o accesorios no recomendados podría causar lesiones serias.

Para ver las instrucciones de carga completas, consulte los manuales del operador del paquete de baterías Ryobi One+ y los modelos de cargador.

### **CARACTERÍSTICAS DE PROTECCIÓN DE LAS BATERÍAS**

Las baterías de iones de litio Ryobi de 18 V están diseñadas con características que protegen las celdas de iones de litio y maximizan la duración de las baterías.

Si la herramienta se detiene durante el uso, suelte el gatillo para reiniciarla y reanude el funcionamiento. Si aun así no funciona, se debe recargar la batería.

### **ADVERTENCIA:**

Retire siempre el paquete de baterías de la herramienta antes de instalar las piezas, realizar ajustes, limpiarla o cuando no la utilice. Retirar el paquete de baterías evitará que la unidad se accione accidentalmente y provoque lesiones graves.

### **PARA INSTALAR/DESMONTAR EL PAQUETE DE BATERÍAS**

*Vea la figura 2, página 12.*

#### **Para instalar:**

- Coloque el selector de sentido de rotación en la posición central.
- Coloque el paquete de baterías en el taladro.
- Asegúrese de que los pestillos situados en ambos lados del paquete de baterías entren completamente en su lugar con un chasquido, y de que el paquete quede bien fijo en el taladro antes de empezar a utilizarlo.

#### **Para retirar:**

- Oprima los pestillos laterales del paquete de baterías
- Retire de radio el paquete de taladro.

## APLICACIONES

Este producto puede emplearse para los fines enumerados abajo:

- Taladrado en todo tipo de productos de madera (tablas, madera contrachapada, paneles, madera aglomerada y madera dura).
- Taladrado en cerámica, plásticos, fibra de vidrio y material laminado
- Taladrado en metales

Este producto acepta los paquetes de baterías Ryobi One+ de iones de litio de 18 V y los paquetes de baterías Ryobi One+ de níquel-cadmio de 18 V.

# FUNCIONAMIENTO

## ADVERTENCIA:

Las productos de baterías siempre están en condiciones de funcionamiento. Por lo tanto, siempre debe estar asegurado el interruptor cuando no esté usándose o el operador lo lleve por un lado.

## GATILLO DEL INTERRUPTOR

Vea la figura 3, página 12.

Para **ENCENDER** el taladro, oprima el gatillo del interruptor. Para **APAGAR** la unidad, suelte el gatillo del interruptor.

## GATILLO DEL INTERRUPTOR DE VELOCIDAD VARIABLE

El gatillo del interruptor produce mayor velocidad y fuerza de torsión cuanto mayor presión se aplica en el gatillo, y menor cuanto menor presión se le aplica en el mismo.

**NOTA:** Es posible que se escuche un ruido de silbido o de zumbido del interruptor al usarse. No debe ser motivo de preocupación; es parte normal del funcionamiento del interruptor.

## SELECTOR DE SENTIDO DE ROTACIÓN (MARCHA ADELANTE / ATRÁS / SEGURO EN EL CENTRO)

Vea la figura 3, página 12.

El sentido de rotación de la broca es invertible y se controla con un selector, el cual está situado arriba del gatillo del interruptor. Con el taladro sostenido en la posición normal de trabajo, el selector de sentido de rotación debe estar a la izquierda del gatillo del interruptor para el taladrado. El sentido de rotación está invertido cuando el selector se encuentra a la derecha del gatillo del interruptor.

Si se pone el selector de sentido de rotación en la posición de **APAGADO** (seguro en el centro) se evita el peligro de arrancar accidentalmente la producto cuando no está usándose.

## PRECAUCIÓN:

Para evitar dañar el engranaje, antes de cambiar el sentido de rotación siempre permita que se detenga completamente el portabrocas.

Para detener el taladro, suelte el gatillo del interruptor y permita que se detenga completamente el portabrocas.

**NOTA:** El taladro no funciona a menos que se empuje el selector de dirección de giro completamente a la izquierda o derecha.

Evite utilizar el taladro a velocidad baja durante períodos de tiempo prolongados. Si se hace funcionar el taladro a baja velocidad en uso constante puede recalentarse. Si ocurre tal situación, enfríe el taladro poniéndolo a funcionar en vacío y a toda velocidad.

## PORTABROCAS DE APRIETE SIN LLAVE

Vea la figura 4, página 12.

El taladro dispone de un portabrocas de apriete sin llave para apretar o aflojar la broca en las mordazas del portabrocas. Sujete con una mano el collar del portabrocas y no lo suelte. Gire el cuerpo del portabrocas con la otra mano. Las flechas del portabrocas indican en que dirección girar el cuerpo de éste para **LOCK** (ASEGURAR) o **UNLOCK** (DESASEGURAR) la broca.

## ADVERTENCIA:

No sujete el cuerpo del portabrocas con una mano para usar la potencia del taladro con el fin de apretar la broca en las mordazas. El cuerpo del portabrocas podría resbalarse en la mano, o la mano misma podría resbalarse y llegar a tocar la broca girando. Esto podría causar un accidente, y como consecuencia lesiones corporales serias.

## ENGRANAJE DE DOS VELOCIDADES (ALTA-BAJA)

Vea la figura 5, página 12.

El taladro dispone de un engranaje de dos velocidades para taladrar o impulsar tornillos a velocidad **BAJA**, posición (1) o **ALTA**, posición (2). Hay un interruptor deslizante en la parte superior del taladro para seleccionar velocidad **BAJA**, posición (1), **ALTA**, posición (2). Al utilizar el taladro en la gama de velocidad **BAJA**, posición (1), la velocidad disminuye, y la unidad desarrolla potencia y fuerza de torsión mayores. Al utilizar el taladro en la gama de velocidad **ALTA**, posición (2), la velocidad aumenta, y la unidad desarrolla potencia y fuerza de torsión menores. Para usos donde se requieran potencia y fuerza de torsión elevadas, use velocidad **BAJA**, posición (1), y para taladrado o atornillado rápidos, use velocidad **ALTA**, posición (2).


## EMBRAGUE DE FUERZA DE TORSIÓN AJUSTABLE

Este producto viene equipado de un embrague de fuerza de torsión ajustable para atornillar diferentes tipos de tornillos en diferentes materiales. El ajuste adecuado depende del tipo de material y del tamaño del tornillo.

## AJUSTE DE LA FUERZA DE TORSIÓN

Vea la figura 6, página 12.

Hay veinticuatro marcas de ajuste del indicador de fuerza de torsión situadas en la parte frontal del taladro.

- Gire el anillo de ajuste a la marca deseada.
  - 1 a 4 Para enroscar tornillos pequeños
  - 5 a 8 Para enroscar tornillos en material blando
  - 9 a 12 Para enroscar tornillos en material blando o duro
  - 13 a 16 Para enroscar tornillos en madera dura
  - 17 a 20 Para enroscar tornillos grandes
  - 21 a  Para taladrado pesado

## COMPARTIMIENTO DE PUNTAS DE DESTORNILLADOR

Vea la figura 7, página 13.

Cuando no se las utiliza, las brocas suministradas con el taladro pueden colocarse en el compartimiento que se encuentra en la base de esta herramienta.

## MAG TRAY™ (COMPARTIMIENTO PARA TORNILLOS)

Vea la figura 7, página 13.

La bandeja magnética sirve para guardar de forma conveniente tornillos y otras partes pequeñas.

# FUNCIONAMIENTO

## INSTALACIÓN DE LAS BROCAS

Vea las figuras 8 y 9, página 13.

- Asegure el gatillo del interruptor; para ello, coloque el selector de sentido de rotación en la posición central.
- Abra o cierre las mordazas del portabrocas a tal punto que la abertura sea levemente más grande que la broca deseada. Además, eleve levemente la parte frontal del taladro para evitar que la broca caiga de las mordazas del portabrocas.
- Introduzca la broca.



### ADVERTENCIA:

Asegúrese de introducir la broca recta en las mordazas del portabrocas. No introduzca en ángulo la broca en las mordazas del portabrocas para después apretarla, como se muestra en la figura 9. Podría causar que la broca salga disparada del taladro, y por consecuencia, posibles lesiones corporales serias, o daños al portabrocas.

- Gire a la izquierda el portabrocas para apretar firmemente la broca en las mordazas.

**NOTA:** Para apretar las mordazas del portabrocas, gire el cuerpo del mismo en la dirección de la flecha marcada con la palabra **LOCK** (ASEGURAR). No utilice ninguna llave para apretar o aflojar las mordazas del portabrocas.

## REMOCIÓN DE LAS BROCAS

Vea la figura 8, página 13.

- Asegure el gatillo del interruptor; para ello, coloque el selector de sentido de rotación en la posición central.
- Gire a la derecha el collar del portabrocas para abrir las mordazas del mismo.

**NOTA:** Para aflojar las mordazas del portabrocas, gire el cuerpo del mismo en la dirección de la flecha marcada con la palabra **UNLOCK** (DESASEGURAR). No utilice ninguna llave para apretar o aflojar las mordazas del portabrocas.

- Retire la broca.

## TALADRADO

Vea la figura 10, página 13.

Hay un nivel ubicado en la parte superior del alojamiento del motor para mantener nivelada la broca durante el uso de la herramienta.

- Revise el selector de sentido de rotación para ver si está en la posición correcta (marcha adelante o atrás).
- Asegure la pieza de trabajo en una prensa de banco, o con prensas de mano, para evitar que rote al girar la broca.
- Sostenga firmemente el taladro y coloque la broca en el punto donde va a taladrar.
- Oprima el gatillo del interruptor para encender el taladro.
- Introduzca la broca en la pieza de trabajo aplicando justamente la presión suficiente para mantener la broca perforando el material. No fuerce el taladro ni aplique presión lateral para ovalar el orificio. Permita que la herramienta realice el trabajo.



### ADVERTENCIA:

Esté preparado por si se atasca la broca al traspasar la pieza de trabajo. Cuando ocurren estas situaciones, el taladro presenta una tendencia a trabarse y dar un contragolpe en la dirección opuesta, y podría causar una pérdida de control al perforar el material. Si usted no está preparado, esta pérdida de control podría ser causa de lesiones serias.

- Para taladrar superficies lisas duras utilice un punzón de marcar para señalar la ubicación de la perforación. De esta manera se evita que la broca se desplace del centro al iniciar la perforación.
- Al taladrar metales aplique aceite de baja viscosidad en la broca para evitar el recalentamiento de la misma. El aceite prolonga la vida de servicio de la broca y aumenta la eficacia de la operación de taladrado.
- Si se atora la broca en la pieza de trabajo, o si se detiene el taladro, apague de inmediato la herramienta. Retire la broca de la pieza de trabajo y determine la razón causante del atoramiento.

**NOTA:** Este taladro dispone de un freno eléctrico. Al soltarse el gatillo del interruptor, el portabrocas cesa de girar. Cuando el freno funciona correctamente, se observan chispas a través de las ranuras de ventilación del alojamiento del motor. Esto es normal y es la acción del freno.

## TALADRADO EN MADERA

Para obtener un desempeño óptimo de la unidad, utilice brocas de acero de alta velocidad para taladrado en madera.

- Comience a taladrar a una velocidad muy baja para impedirle a la broca abandonar el punto inicial. Aumente la velocidad a medida que la broca penetra en el material.
- Al taladrar orificios de lado a lado, coloque un bloque de madera detrás de la pieza de trabajo para evitar producir orillas deshilachadas o astilladas en la parte posterior del orificio.

## TALADRADO EN METAL

Para obtener un desempeño óptimo de la unidad, utilice brocas de acero de alta velocidad para taladrado en metal o en acero.

- Comience a taladrar a una velocidad muy baja para impedirle a la broca abandonar el punto inicial.
- Mantenga una velocidad y una presión tales que permitan taladrar sin recalentar la broca. Si se aplica demasiada presión:
  - Se recalienta el taladro;
  - Se gastan los cojinetes;
  - Se doblan o queman las brocas; y
  - Se producen orificios descentrados o de forma irregular.
- Al taladrar agujeros grandes en metal, comience con una broca pequeña y termine con una grande. También, lubrique la broca con aceite para mejorar la acción de taladrado y aumentar la vida útil de la broca.

# MANTENIMIENTO

## **ADVERTENCIA:**

Al dar servicio a la unidad, sólo utilice piezas de repuesto idénticas. El empleo de piezas diferentes podría causar un peligro o dañar el producto.

## **ADVERTENCIA:**

Siempre póngase protección ocular con protección lateral con la marca de cumplimiento de la norma ANSI Z87.1. La inobservancia de esta advertencia puede permitir que los objetos lanzados hacia los ojos puedan provocar lesiones graves.

## **ADVERTENCIA:**

Para evitar lesiones corporales serias, siempre retire el paquete de baterías de la producto al limpiarla o darle mantenimiento.

## MANTENIMIENTO GENERAL

Evite el empleo de solventes al limpiar piezas de plástico. La mayoría de los plásticos son susceptibles a diferentes tipos de solventes comerciales y pueden resultar dañados. Utilice paños limpios para eliminar la suciedad, el polvo, el aceite, la grasa, etc.

## **ADVERTENCIA:**

No permita en ningún momento que fluidos para frenos, gasolina, productos a base de petróleo, aceites penetrantes, etc., lleguen a tocar las piezas de plástico. Las sustancias químicas pueden dañar, debilitar o destruir el plástico, lo cual a su vez puede producir lesiones corporales serias.

Solamente las piezas mostradas en la lista de piezas pueden ser reparadas o cambiadas por el consumidor. Todas las piezas restantes deben ser reemplazadas en un centro de servicio autorizado.

## REMOCIÓN Y PREPARACIÓN DEL PAQUETE DE BATERÍAS PARA EL RECICLADO

## **ADVERTENCIA:**

Al retirar el paquete de baterías, cubra las terminales del mismo con cinta adhesiva reforzada. No intente destruir o desarmar el paquete de baterías, ni de desmontar ninguno de sus componentes. Las baterías deben reciclarse o desecharse debidamente. Asimismo, nunca toque ambas terminales con objetos metálicos y partes del cuerpo, ya que puede producirse un corto circuito. Manténgase fuera del alcance de los niños. La inobservancia de estas advertencias puede causar incendios y lesiones corporales serias.

## DESMONTAJE DEL PORTABROCAS

Veá las figuras 11 a 13, página 13.

El portabrocas puede desmontarse y reemplazarse con uno nuevo.

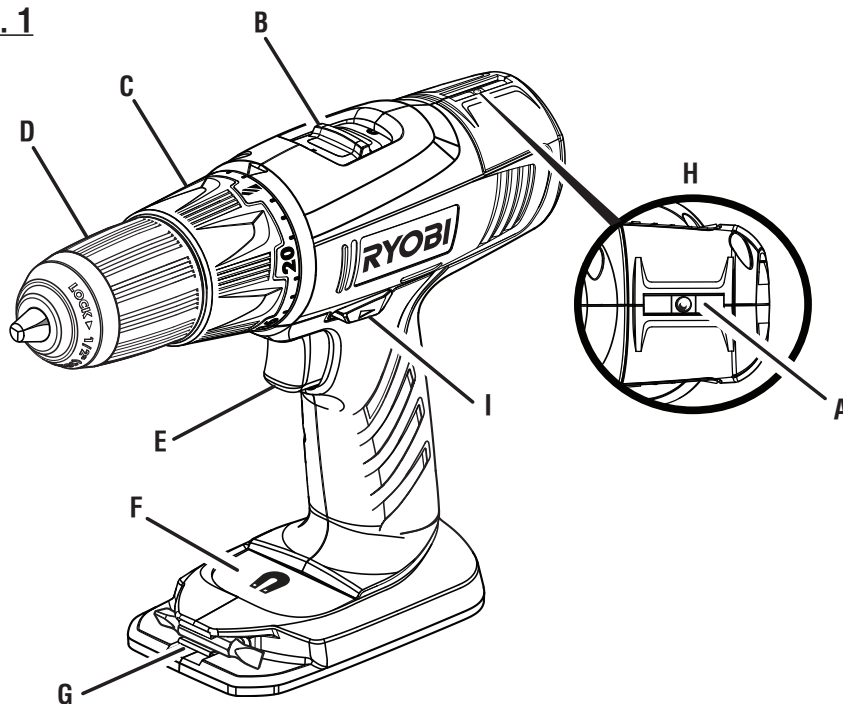
- Asegure el gatillo del interruptor; para ello, coloque el selector de sentido de rotación en la posición central.
- Introduzca una llave hexagonal de 7,9 mm (5/16 pulg.) o más grande en el portabrocas y apriete firmemente las mordazas del mismo.
- Golpee sólidamente la llave hexagonal con un mazo de goma hacia la derecha. De esta manera se afloja el tornillo del portabrocas para permitir el desmontaje de éste.
- Abra las mordazas del portabrocas y retire la llave hexagonal. Con un destornillador desenrosque el tornillo del portabrocas; para ello, gírelo hacia la derecha.  
**NOTA:** El tornillo del portabrocas tiene rosca izquierda.
- Inserte la llave hexagonal en el portabrocas y apriete firmemente las mordazas del mismo. Golpee sólidamente hacia la izquierda con un mazo de goma. De esta manera se afloja el portabrocas en el husillo. Ahora ya puede desenroscarse a mano.

## PARA APRETAR EL PORTABROCAS CUANDO SE AFLOJE

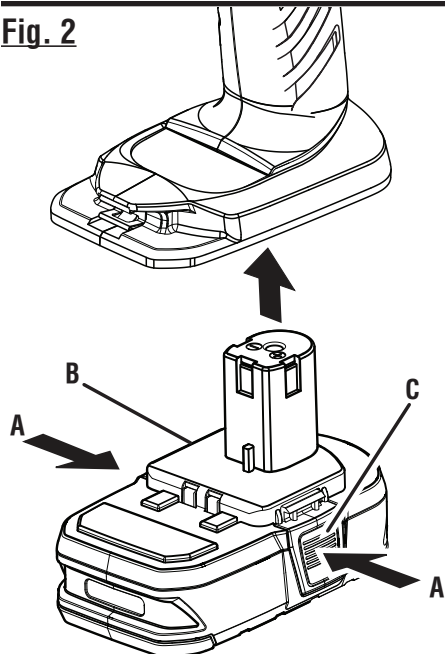
El portabrocas puede llegar a aflojarse en el husillo, con lo cual empieza a bambolearse. Además, el tornillo del portabrocas puede aflojarse y causar atoramiento de las mordazas del portabrocas, con lo cual podrían quedar imposibilitadas para cerrar adecuadamente.

### Para apretar:

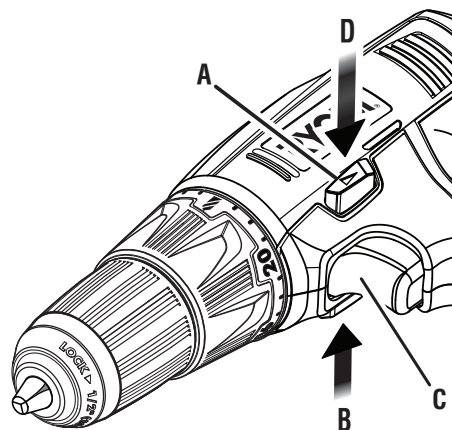
- Asegure el gatillo del interruptor; para ello, coloque el selector de sentido de rotación en la posición central.
- Abra las mordazas del portabrocas.
- Inserte la llave hexagonal en el portabrocas y apriete firmemente las mordazas del mismo. Golpee sólidamente la llave hexagonal con un mazo de goma hacia la derecha. De esta manera se aprieta el portabrocas en el husillo.
- Abra las mordazas del portabrocas y retire la llave hexagonal.
- Apriete el tornillo del portabrocas.

**Fig. 1**

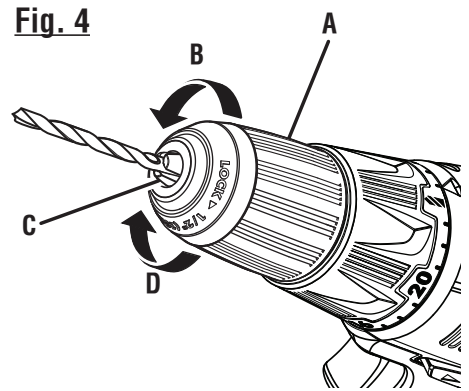
- A - Level (niveau, nivel)
- B - Two-speed gear train (hi-lo) [train d'engrenages à deux vitesses (haute et basse), engrajaje de dos velocidades (alta-baja)]
- C - Torque adjustment ring (bague de réglage du couple, anillo de ajuste de fuerza de torsión)
- D - Keyless chuck (mandrin sans clé, portabrocas de apriete sin llave)
- E - Switch trigger (gâchette, gatillo del interruptor)
- F - Mag Tray™ (screw holder) [Mag Tray™ (compartiment pour vis), Mag Tray™ (compartiment para tornillos)]
- G - Bit storage (rangement d'embouts, compartimento de brocas)
- H - Top view of level for horizontal drilling (vue de dessus du niveau pour le perçage horizontal, vista de frente del nivel para taladrado horizontal)
- I - Direction of rotation selector (forward/reverse/center lock) [sélecteur de sens de rotation (avant / arrière / verrouillage central), selector de sentido de rotación (adelante, atrás, seguro en el centro)]

**Fig. 2**

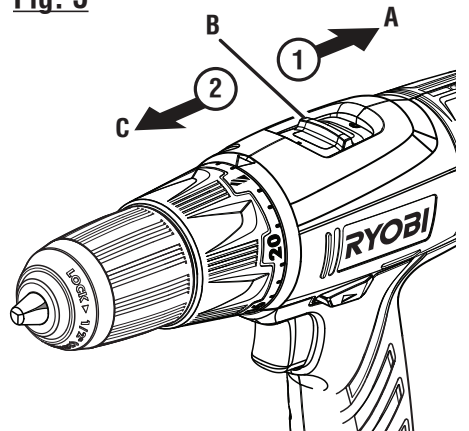
- A - Depress latches to release battery pack (appuyer sur les loquets pour libérer le bloc-piles, para soltar el paquete de baterías oprima los pestillos)
- B - Battery pack (bloc-piles, paquete de baterías)
- C - Latch(es) [loquet(s), pestillos]

**Fig. 3**

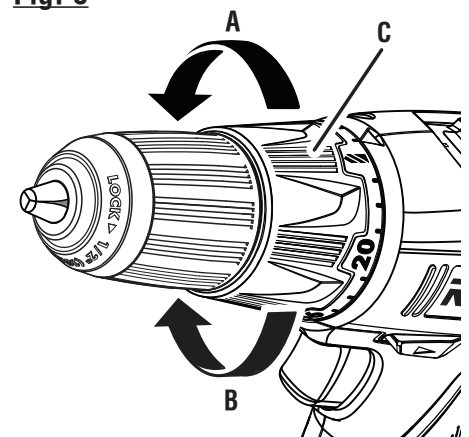
- A - Direction of rotation selector (forward/reverse/center lock) [sélecteur de sens de rotation (avant / arrière / verrouillage central), selector de sentido de rotación (adelante, atrás, seguro en el centro)]
- B - Forward (rotation avant, marcha adelante)
- C - Switch trigger (gâchette, gatillo del interruptor)
- D - Reverse (rotation arrière, marcha atrás)

**Fig. 4**

- A - Keyless chuck (mandrin sans clé, portabrocas de apriete sin llave)
- B - Unlock (release) [unlock (libération), unlock (aflojar)]
- C - Chuck jaws (mors du mandrin, mordazas del portabrocas)
- D - Lock (tighten) [lock (blocage), lock (apretar)]

**Fig. 5**

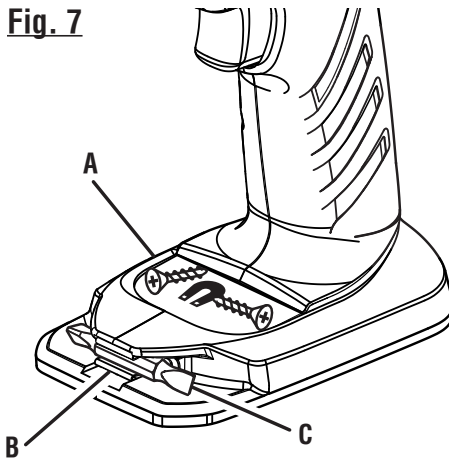
- A - Lo speed (basse vitesse, baja velocidad)
- B - Two-speed gear train (hi-lo) [train d'engrenages à deux vitesses (haute et basse), engrajaje de dos velocidades (alta-baja)]
- C - Hi speed (haute vitesse, alta velocidad)

**Fig. 6**

- A - To decrease torque (pour réduire le couple, para disminuir la fuerza de torsión)
- B - To increase torque (pour augmenter le couple, para aumentar la fuerza de torsión)
- C - Torque adjustment ring (bague de réglage du couple, anillo de ajuste de fuerza de torsión)

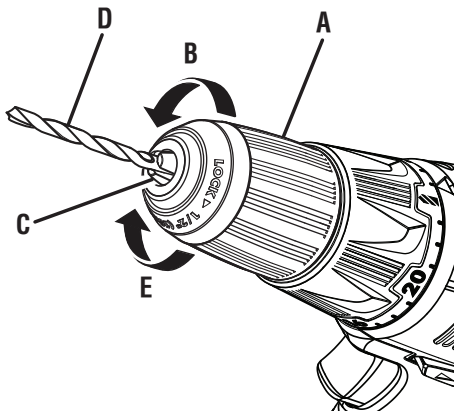


**Fig. 7**



- A - Mag Tray™ (screw holder) [Mag Tray™ (compartiment pour vis), Mag Tray™ (compartimiento para tornillos)]
- B - Double-ended bit (embout doubles, punta de destornillador dobles)
- C - Bit storage (rangement d'embouts, compartimiento de brocas)

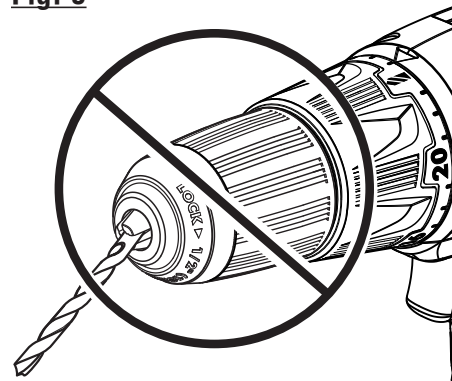
**Fig. 8**



**RIGHT / CORRECT / FORMA CORRECTA**

- A - Keyless chuck (mandrin sans clé, portabrocas de apriete sin llave)
- B - Unlock (release) [unlock (libération), unlock (aflojar)]
- C - Chuck jaws (mors du mandrin, mordazas del portabrocas)
- D - Drill bit (embout, broca)
- E - Lock (tighten) [lock (blocage), lock (apretar)]

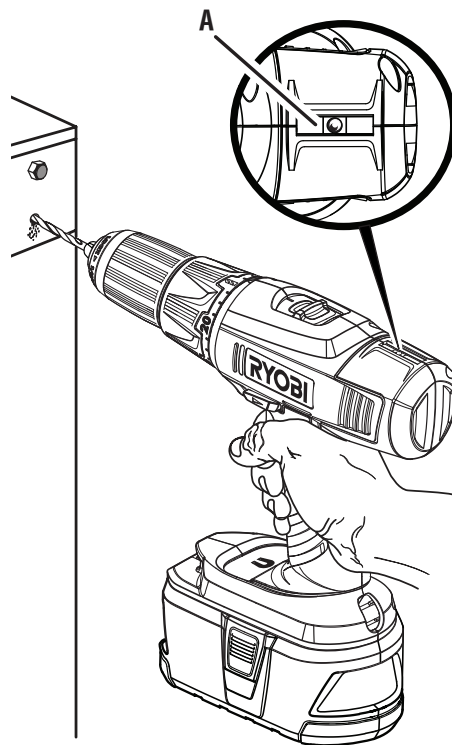
**Fig. 9**



**WRONG / INCORRECT / FORMA INCORRECTA**

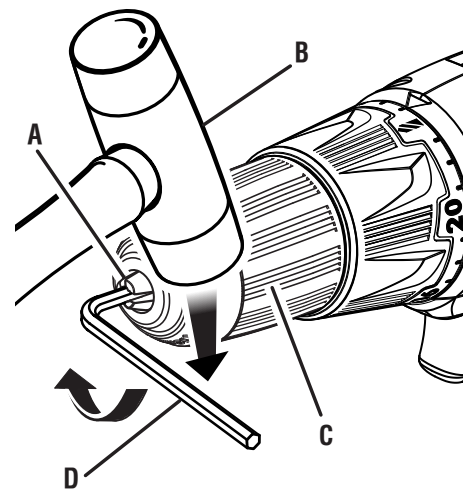
**Fig. 10**

**LEVEL TOP VIEW / VUE DE DESSUS DE NIVEAU / VISTA SUPERIOR DE NIVEL**



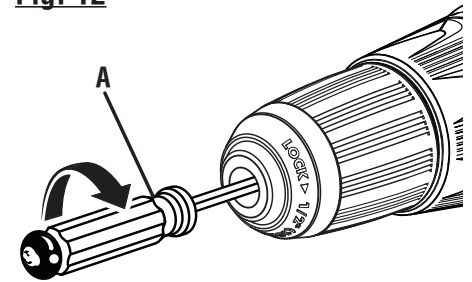
A - Level (niveau, nivel)

**Fig. 11**



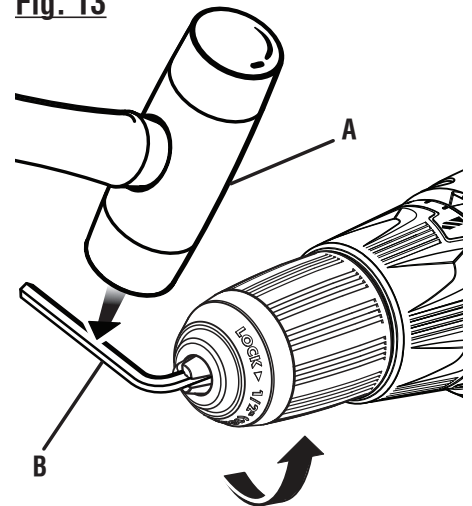
- A - Chuck jaws (mors du mandrin, mordazas del portabrocas)
- B - Mallet (maillet, mazo de goma)
- C - Keyless chuck (mandrin sans clé, portabrocas de apriete sin llave)
- D - Hex key (clé hexagonale, llave hexagonal)

**Fig. 12**



A - Screwdriver (tournevis, destornillador)

**Fig. 13**



- A - Mallet (maillet, mazo de goma)
- B - Hex key (clé hexagonale, llave hexagonal)



**NOTES / NOTAS**

---

---

---

---

---

---

---

---

---

---

---

---

---

---

---

---

---

---

---

---

---

---

---

---

---

---

---

---

