

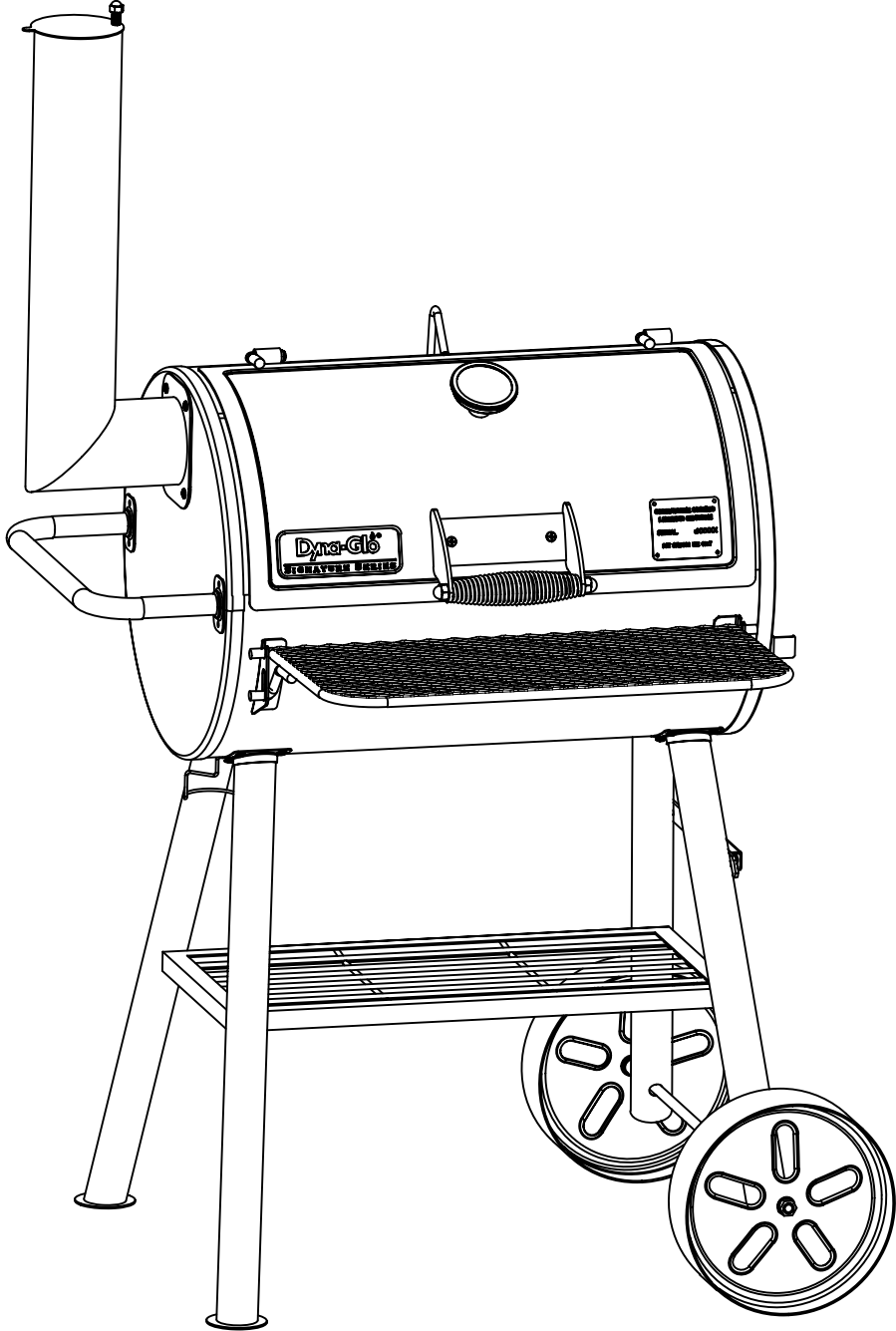


Heavy-Duty Compact Barrel Charcoal Grill

MODEL #DGSS443CB-D /
DGSS443CB

Français p. 19

Español p. 37



ATTACH YOUR RECEIPT HERE

Serial Number _____ Purchase Date _____




Questions, problems, missing parts? Before returning to your retailer, call our customer service department at 1-877-447-4768, 8:30 a.m. – 4:30 p.m. CST, Monday – Friday or log on to customerservice@ghpgroupinc.com.

TABLE OF CONTENTS

Safety Information	2
Package Contents	4
Hardware Contents	5
Preparation	5
Assembly Instructions	6
Operation Instructions	14
Care and Maintenance	15
Warranty	16
Replacement Parts List	17

SAFETY INFORMATION

Please read and understand this entire manual before attempting to assemble, operate, or install the product. If you have any questions regarding the product, call our customer service department at 1-877-447-4768, 8:30 a.m.- 4:30 p.m. CST, Monday - Friday or log on to customerservice@ghpgroupinc.com.

 Use caution when lifting and moving the unit to avoid back strain or back injury. Do not move the unit while it is in use.

- **DO NOT** operate the unit near or under flammable or combustible materials such as decks, porches or carports.
- A minimum clearance to combustible construction is 36 in. (91.4 cm) from sides and back.
- **DO NOT** operate the unit under overhead construction.
- **DO NOT** use this grill as a heater.
- Operate the unit on a stable, level, noncombustible surface such as asphalt, concrete, or solid ground.
- **DO NOT** operate the unit on flammable material such as carpet or wood deck.

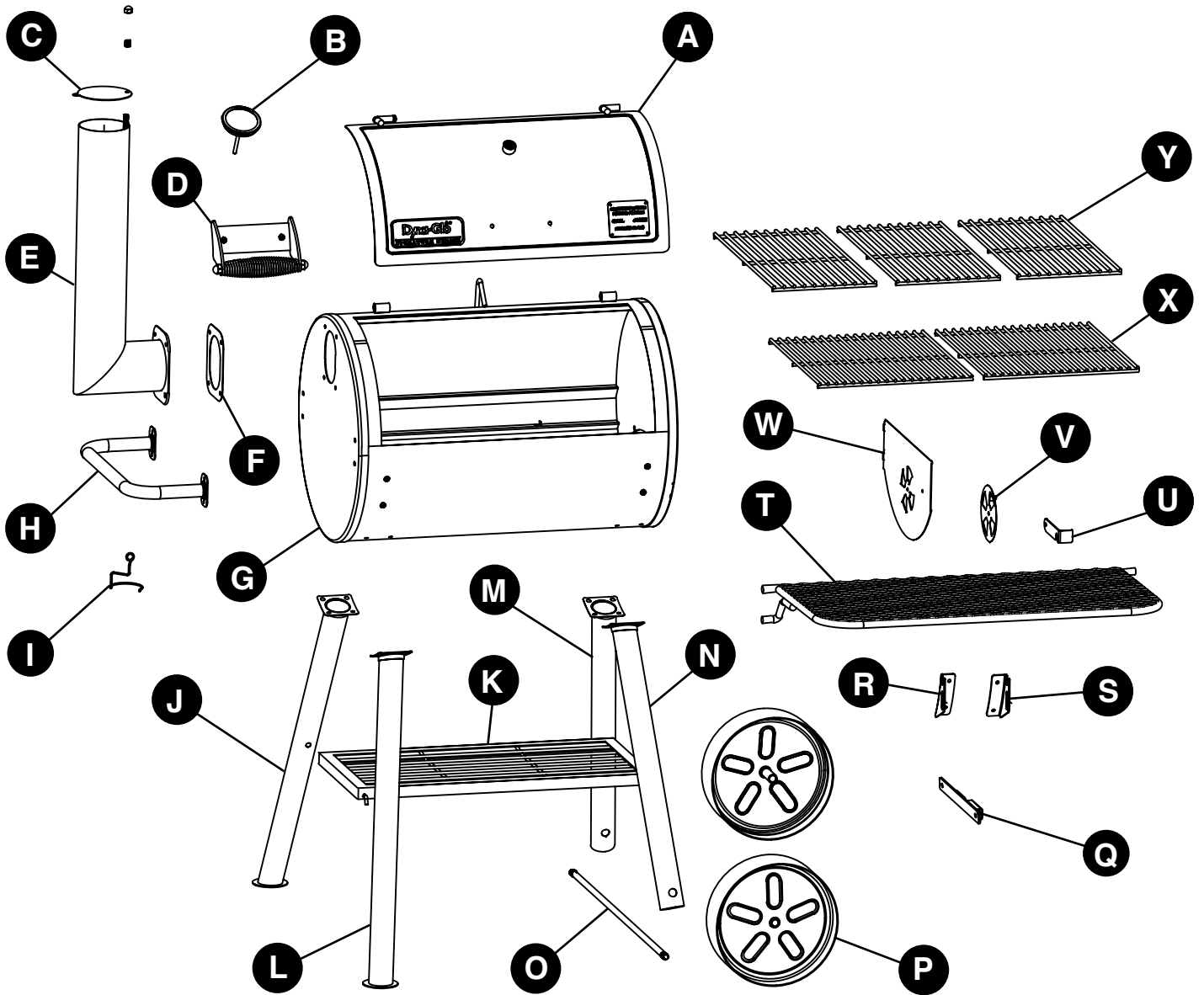
SAFETY INFORMATION

- Use caution when assembling and operating this unit to avoid cuts and scrapes from edges.
- **DO NOT** use this product in a manner other than its intended purpose. It is NOT intended for commercial use. It is NOT intended to be installed or used in or on a recreational vehicle and/or boats.
- **DO NOT** store this unit near gasoline or other combustible liquids or where other combustible vapors may be present.
- **DO NOT** use, store or operate this unit in an area accessible to children or pets. Store this unit in a dry protected location.
- **DO NOT** leave the unit unattended while in use.
- **DO NOT** leave hot ashes unattended, until the unit cools completely.
- **DO NOT** move the unit while in use, or while ashes are still hot. Allow the unit to cool completely before moving or storing.
- **NEVER** use gasoline, kerosene, Zippo/Ronson lighter fluid, or other highly volatile fluids as a starter.
- Always cook your food on the grate after the flame is burned out.
- Dispose of cold ashes by wrapping them in heavy-duty aluminum foil and placing in a noncombustible container. Make sure that there are no other combustible materials in or near the container.
- If you must dispose of ashes in less time than it takes for the ashes to completely cool down, remove the ashes from the unit using heat-resistant gloves along with long metal tongs or fireplace shovel. Place the coals in aluminum foil and soak them completely with water before disposing of them in a noncombustible container.
- Allow the unit to cool completely before conducting any routine cleaning or maintenance.
- This product will be hot during and after use. Use insulated oven mitts, or gloves, for protection from hot surfaces or splatter from cooking liquids.
- Grease or other liquids inside the grease cup will be hot after using this appliance. Allow the grease cup to completely cool before removing or disposing. If the grease cup must be removed before it's allowed to completely cool, use heat resistant gloves or mitts for removal or disposal.
- Use caution when opening the lid of the unit while in operation. Keep hands, face and body safe from hot steam or flare-ups. **DO NOT** inhale smoke.
- **DO NOT** wear loose clothing while operating the unit. Tie back long hair while operating the unit.
- **ALWAYS** wear shoes that fully cover your feet while operating the unit.
- **NEVER** use glassware, plastic or ceramic cookware on or in the unit. Use metallic cookware only.
- Use of accessories not intended for this unit is not recommended and may lead to injury or property damage.

CALIFORNIA PROPOSITION 65

Fuels used in wood and charcoal burning appliances and the products of combustion of such fuels contain chemicals known to the State of California to cause cancer, birth defects or other reproductive harm. This product contains chemicals, including lead and lead compounds, known to the State of California to cause cancer, birth defects or other reproductive harm. ***Wash hands after handling.***






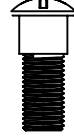
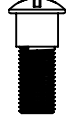

PACKAGE CONTENTS



PART	DESCRIPTION	QUANTITY
A	Lid	1
B	Temperature Gauge	1
C	Smoke Stack Damper	1
D	Lid Handle	1
E	Smoke Stack	1
F	Smoke Stack Gasket	1
G	Grill Body	1
H	Side Handle	1
I	Grease Cup Support	1
J	Left Leg - Rear	1
K	Bottom Shelf	1
L	Left Leg - Front	1
M	Right Leg - Rear	1

PART	DESCRIPTION	QUANTITY
N	Right Leg - Front	1
O	Wheel Axle	1
P	Wheels	2
Q	Offset Smoker Box Support	1
R	Front Shelf Bracket - Left	1
S	Front Shelf Bracket - Right	1
T	Front Shelf	1
U	Side Access Door Latch	1
V	Side Damper	1
W	Side Access Door	1
X	Charcoal Grates	2
Y	Cooking Grates	3

HARDWARE CONTENTS

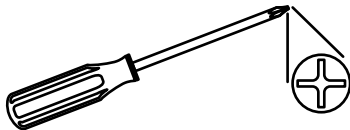
AA	BB	CC	DD	EE	FF	GG	HH
							
M6 x 12 Bolt	M6 Nut	M6 Flat Washer	M12 Nut	M6 Lock Nut	M6 x 14 Bolt	M5 x 13 Bolt	M5 Nut
Qty. 31	Qty. 28	Qty. 16	Qty. 2	Qty. 1	Qty. 1	Qty. 1	Qty. 1

PREPARATION

Before beginning assembly of product, make sure all parts are present. Compare parts with package contents list and hardware contents above. If any part is missing or damaged, do not attempt to assemble the product. Contact customer service for replacement parts.

Estimated Assembly Time: 30 minutes

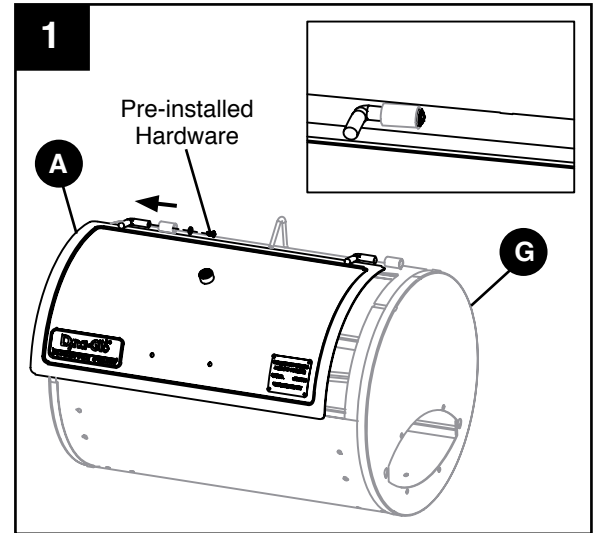
Tools Required for Assembly (not included): Phillips Screwdriver, Adjustable Wrench



ASSEMBLY INSTRUCTIONS




⚠ CAUTION: This unit is HEAVY! Do not attempt to handle this unit without assistance!

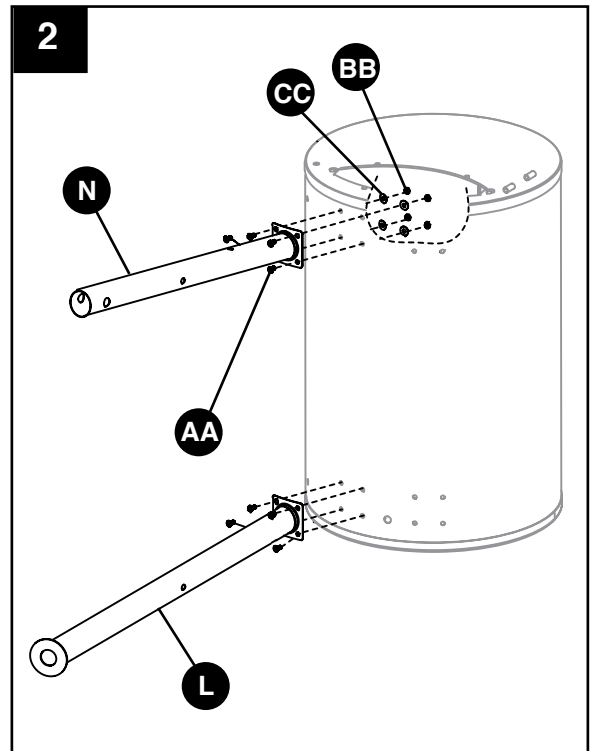
1. Remove the pre-installed bolt and washer from the left lid hinge on the grill body (G) and slide the lid (A) off the grill body hinges.



2. Attach the left front leg (L) and right front leg (N) using four M6 x 12 bolts (AA), four M6 nuts (BB) and four M6 flat washers (CC) per leg.

Hardware Used




AA	M6 x 12mm Bolt		x 8
BB	M6 Nut		x 8
CC	M6 Flat Washer		x 8

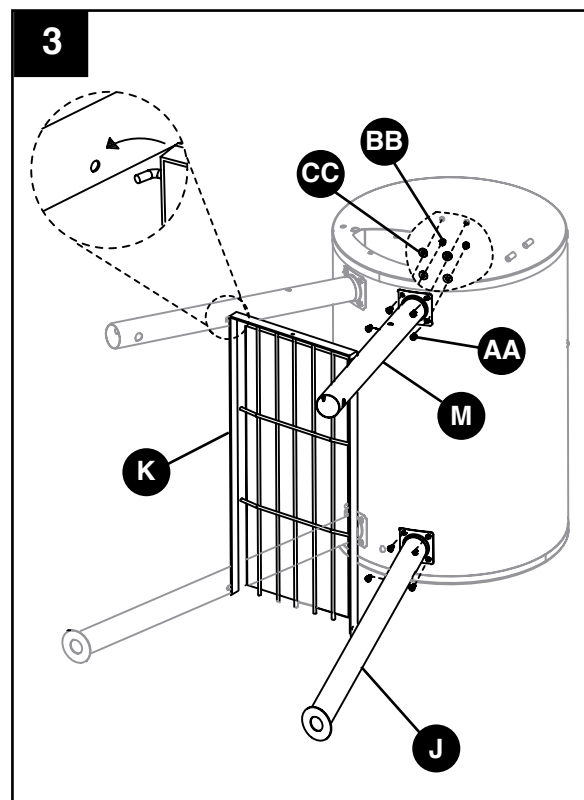


ASSEMBLY INSTRUCTIONS

3. Before attaching the rear legs, insert the bottom shelf (K) posts into the holes located on all four legs. With the bottom shelf (K) securely in place, attach the left rear leg (J) and right rear leg (M) using four M6 x 12 bolts (AA), four M6 nuts (BB) and four M6 flat washers (CC), per leg.

Hardware Used

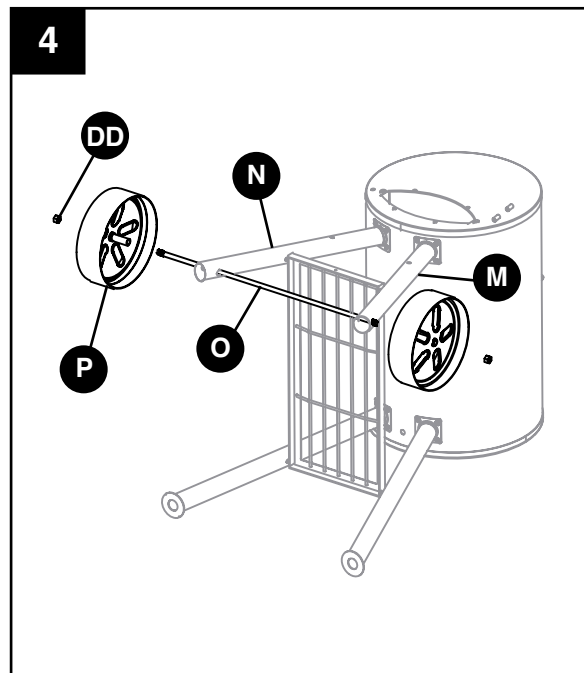
AA	M6 x 12mm Bolt		x 8
BB	M6 Nut		x 8
CC	M6 Flat Washer		x 8



4. Insert the wheel axle (O) through the holes in the right front (N) and right rear leg (M) and attach the left and right wheel (P) using one M12 nut (DD) per side.

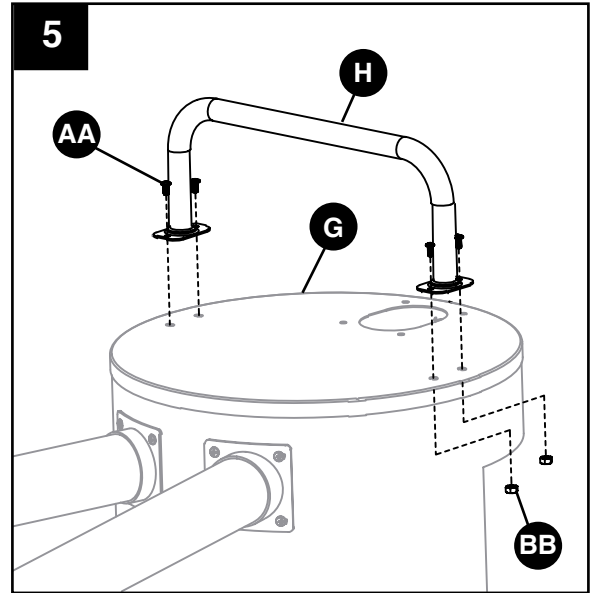
Hardware Used

DD	M12 Nut		x 2
-----------	---------	---	-----





ASSEMBLY INSTRUCTIONS

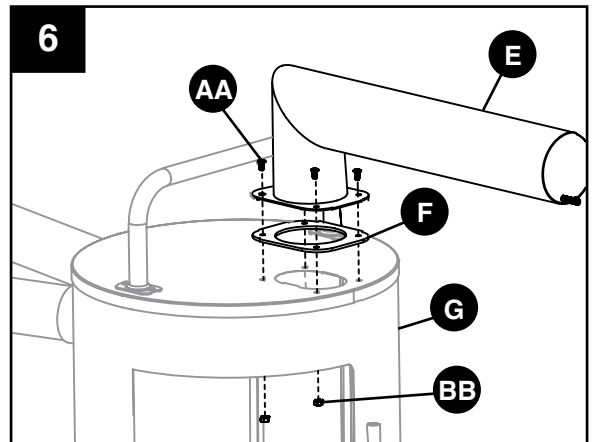
5. Attach side handle (H) to the left side of the grill body (G) using four M6 x 12 bolts (AA) and four M6 nuts (BB).





Hardware Used

AA	M6 x 12mm Bolt		x 4
BB	M6 Nut		x 4

6. Place the smoke stack gasket (F) between the grill body (G) and the smoke stack (E) and attach using four M6 x 12 bolts (AA) and four M6 nuts (BB).

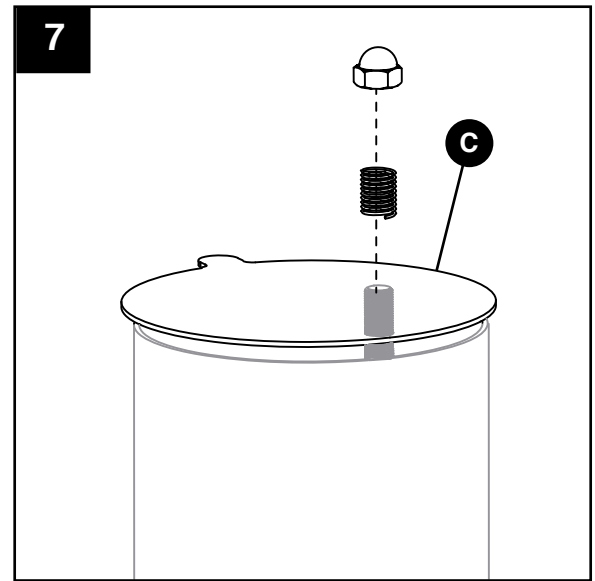


Hardware Used

AA	M6 x 12mm Bolt		x 4
BB	M6 Nut		x 4

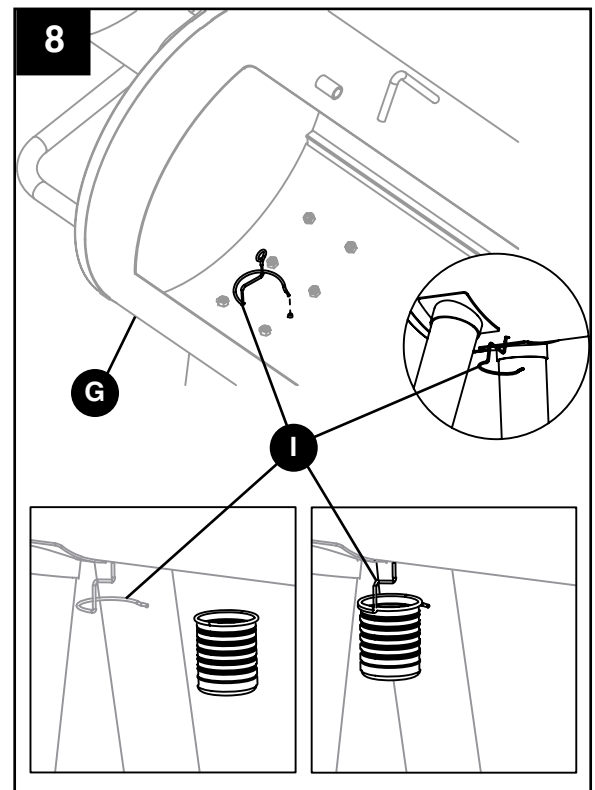
ASSEMBLY INSTRUCTIONS

7. Attach the smoke stack damper (C) using the pre-installed spring and nut.



8. Insert the end of the grease cup support (I) into the hole located on the bottom of the smoker body (G). Thread the support through the hole until the support is hanging as shown.



Note: This grill does not include a container for catching grease or liquids from inside the smoker body. Use a discarded aluminum can with minimum diameter of 2 1/4" (58mm) and slide the top lip of the can onto the grease cup support (I) as shown. See Page 3 for disposing the can after use.

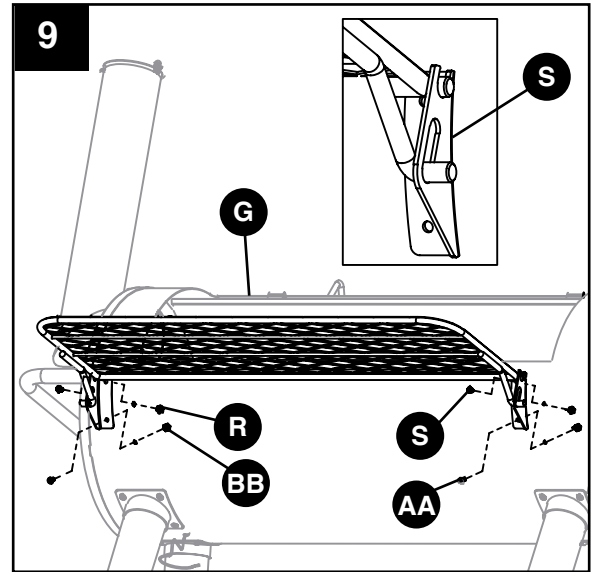


ASSEMBLY INSTRUCTIONS

9. Attach the right shelf bracket (S) to the grill body (G), using two M6 x 12 bolts (AA) and two M6 nuts (BB), and insert the shelf support wire into the bracket, as shown. Insert the shelf supports into the left shelf bracket (R), before securing the bracket with two M6 x 12 bolts (AA) and two M6 nuts (BB).

Hardware Used

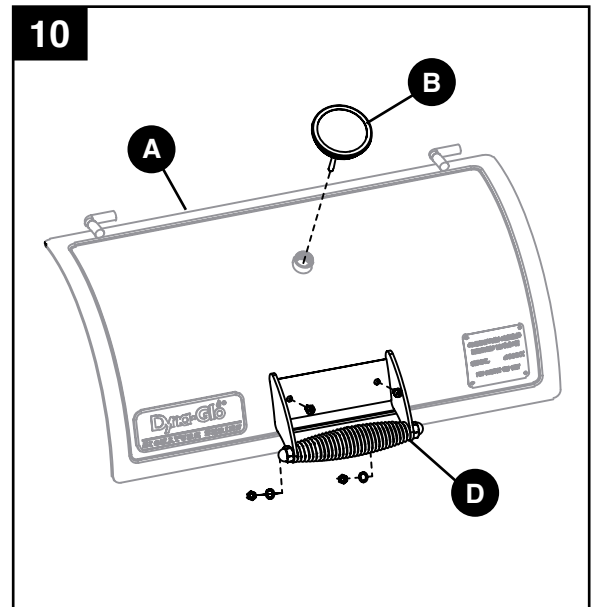
AA	M6 x 12mm Bolt		x 4
BB	M6 Nut		x 4



10. Attach the temperature gauge (B) by inserting the probe through the threaded opening on the lid (A) and turning clockwise. Do not remove the pre-installed nut prior to attaching the gauge.

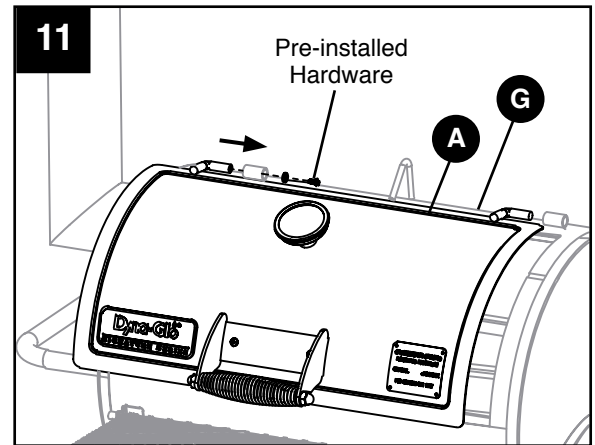
NOTE: The alignment of the temperature gauge can be adjusted by turning the pre-installed nut clockwise (or counter-clockwise) prior to installing.

Attach the lid handle (D) to the lid (A) using two pre-installed bolts & nuts and flat washers



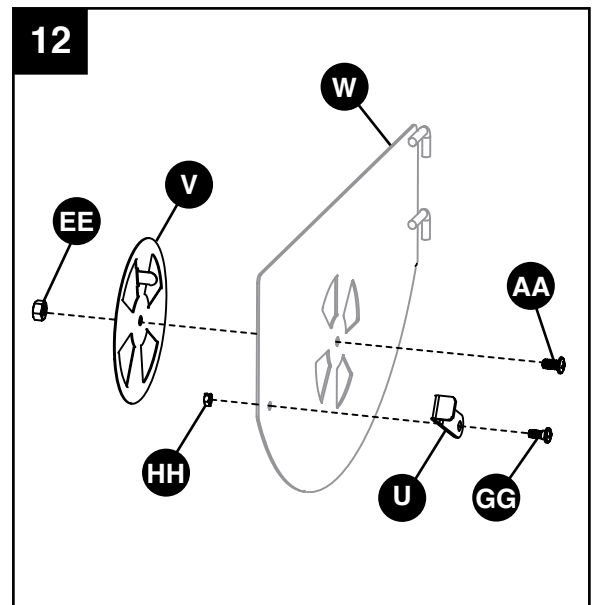
ASSEMBLY INSTRUCTIONS

11. Attach the lid assembly (A) to the hinges on the grill body (G) using the pre-installed bolt and washer.

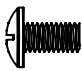

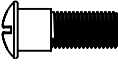



12. Attach the side damper plate (V) to the inside of the access door (W) using one M6 x 12mm bolt (AA) and one M6 lock nut (EE).

Attach the door latch (U) to the outside of the access door (W) using one M5 x 13mm bolt (GG) and one M5 nut (HH).



Hardware Used

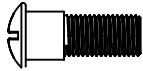
AA	M6 x 12mm Bolt		x 1
EE	M6 Lock Nut		x 1
GG	M5 x 13mm Bolt		x 1
HH	M5 Nut		x 1

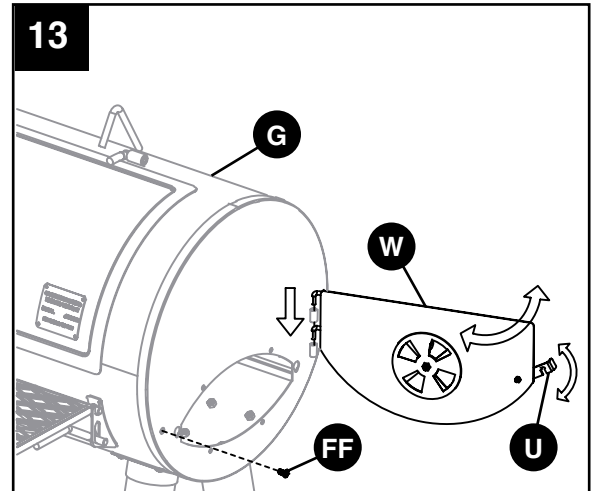
ASSEMBLY INSTRUCTIONS

13. Screw one M6 x 14 shoulder bolt (FF) into the grill body (G). Attach the access door (W) to the grill body (G) by sliding the hinge rods into the hinge openings on the grill body (G).

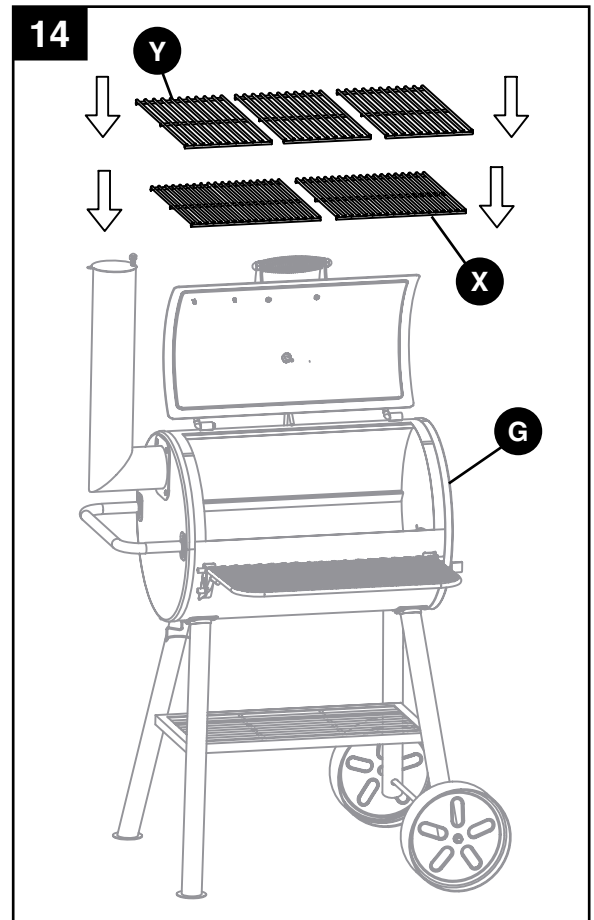
Latch the access door (W) by pivoting the door latch (U) onto the M6 x 14 bolt on the grill body (G).

Hardware Used

FF	M6 x 12mm Bolt		x 1
-----------	-------------------	---	-----



14. Install the charcoal grates (X) on the bottom support rails inside the grill body (G). Install the cooking grates (Y) on the top support rails inside the grill body (G).



ASSEMBLY INSTRUCTIONS

15. Attach the offset support bracket (Q) to the right front (N) and rear leg (M) using two M6 x 12 bolts (AA).

Note: This bracket is used to support Dyna-Glo smoker box model DGSS287CB-D (Sold Separately)

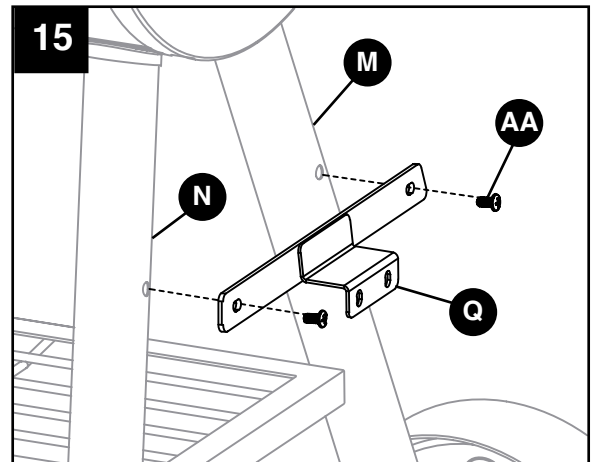
Hardware Used

AA

M6 x 12mm
Bolt



x 2



OPERATING INSTRUCTIONS

BEFORE FIRST USE

Remove all hangings or plastic straps, if present.

It is important to "season" your grill, prior to cooking food. Seasoning seals the paint and interior of your smoker to enhance flavoring, durability and overall performance. To season your grill, simply use it as you normally would without adding food. You will need to follow all of the lighting and operating procedures in the next few sections of this manual.

Seasoning the Grill

Using the recommended amount of charcoal (listed below), burn the grill for at least 30-45 minutes.

Lighting Instructions

Start with at least 4 lbs. (1.8 kgs.) of charcoal (75 standard briquettes).

Make adjustments as needed when cooking in colder climates or during high winds, and/or when fair amounts of precipitation are present.

Step 1

Note: Please refer to the manufacturer's recommended amount of charcoal lighter fluid before applying fluid to the briquettes. Charcoal can be added to the grill by removing the cooking grates. Pile the charcoal towards the middle of the charcoal grate. Briquettes should be packed closely together for maximum burn efficiency. Saturate charcoal with the amount of charcoal lighter fluid as recommended by the charcoal lighter fluid manufacturer. After soaking the charcoal, place the charcoal lighter fluid at a safe distance away from the grill. Allow the charcoal lighter fluid to soak into the charcoal for 3 minutes before lighting.

Step 2

With lid open, stand back and carefully light charcoal and allow to burn until covered with a light ash (approximately 20 minutes). Charcoal lighter fluid must be allowed to completely burn off prior to closing the lid. (Fumes will tend to collect in both fireboxes, when both lids are closed).

Step 3

After 20-25 minutes, charcoal should be ready for grilling. Use heat-resistant gloves or oven mitts when placing the cooking grates back into the grill. Refer to the next section before adding wood chips to pre-lit charcoal.

⚠ WARNING: Use caution since flames can flare-up when fresh air suddenly comes in contact with fire. When opening the lid, keep hands, face and body a safe distance from hot steam and flame flare-ups.

⚠ WARNING: Never add charcoal lighting fluid to hot or even warm coals as flashback may occur causing severe burns.

Allow the ashes to completely cool before reusing or cleaning the grill or smoker.

CARE AND MAINTENANCE

AFTER USE SAFETY AND MAINTENANCE

WARNING

- Use caution when lifting and moving the unit to avoid strain injuries. Two people are recommended to lift or move the unit.
- **DO NOT** store the unit near gasoline or other combustible liquids or where combustible vapors may be present. Keep the area around the appliance clear and free of combustible materials and vapors.
- **DO NOT** store this appliance in an area accessible to children or pets. Store the appliance in a dry, protected location.
- **DO NOT** allow anyone to conduct activities around the appliance following use until it has cooled. It is hot during operation and remains hot for a period of time following use.
- **DO NOT** leave hot ashes unattended until the appliance cools completely.
- The grill becomes extremely hot – allow the appliance to cool completely before handling. Allow the grill to cool before removing and cleaning the grease cup.
- Dispose of **cold** ashes by wrapping them in heavy-duty aluminum foil and putting them in a noncombustible container.
- If you must dispose of the ashes in less time than it takes for them to completely cool, remove the ashes using heat-resistant gloves, along with Dyna Glo ash scoop (if equipped), metal tongs, or fire place shovel. Place the ashes in aluminum foil. Completely soak the ashes with water before disposing of them in a noncombustible container.

 **CAUTION: All care and maintenance procedures are to be performed while the unit is completely cooled.**

Clean the cooking grates with hot, soapy water. Rinse and dry thoroughly. You may prefer to coat the cooking grates lightly with cooking oil or cooking spray.

To clean the inside and outside of the grill body, simply use a damp cloth. Spray-washing with a water hose is not recommended. Moisture should be wiped away and not allowed to stand inside or on top of the unit. Once cleaned, you may prefer to lightly coat the interior of the grill body with cooking oil or cooking spray.

If rust is present on the exterior surface of the unit, clean the area with steel wool or emery cloth and use heavy-duty, heat-resistant paint.

NEVER apply additional paint to the interior of the unit. If rust is present on the interior of the grill, clean it thoroughly with steel wool or emery cloth and lightly coat the area with cooking oil or cooking spray to help minimize recurring rust.

To protect your unit from weather conditions, always keep it covered while not in use.

WARRANTY

This charcoal grill is warranted against broken or damaged parts at the time of purchase. All parts carry a one (1) year limited warranty. Paint is warranted to be free of defects for 90 days except for rust, which may appear after repeated use.

This warranty does not cover damage or issues related to neglect, abuse or modifications to the appliance. Repair labor is not covered.

All parts that meet the warranty requirements will be shipped at no charge via the discretion of GHP Group Inc. (ground shipments, US Mail or Parcel Post ONLY). Any special handling charges (i.e. Second Day, Overnight, etc.) will be the responsibility of the consumer.

All warranty claims apply only to the original purchaser and require a proof of purchase verifying purchase date. Do not return parts to GHP address without first obtaining a return authorization number from our customer service. This service is available by calling toll free 1-877-447-4768, 8:30 a.m. - 4:30 p.m. CST, Monday - Friday.

Some states do not allow the exclusion or limitation of incidental or consequential damages or limitations on how long an implied warranty lasts, so the above limitations or exclusions may not apply to you. This warranty gives you specific legal rights, and you may have other rights that vary from state to state.

GHP Group Inc.
6440 W. Howard Street
Niles, IL, USA
60714-3302

Item name: Heavy-Duty Compact Barrel Charcoal Grill
Model #: DGSS443CB / DGSS443CB-D

REPLACEMENT PARTS LIST

For replacement parts, call our customer service department at 1-877-447-4768, 8:30 a.m. - 4:30 p.m. CST, Monday - Friday or log on to customerservice@ghpgroupinc.com.

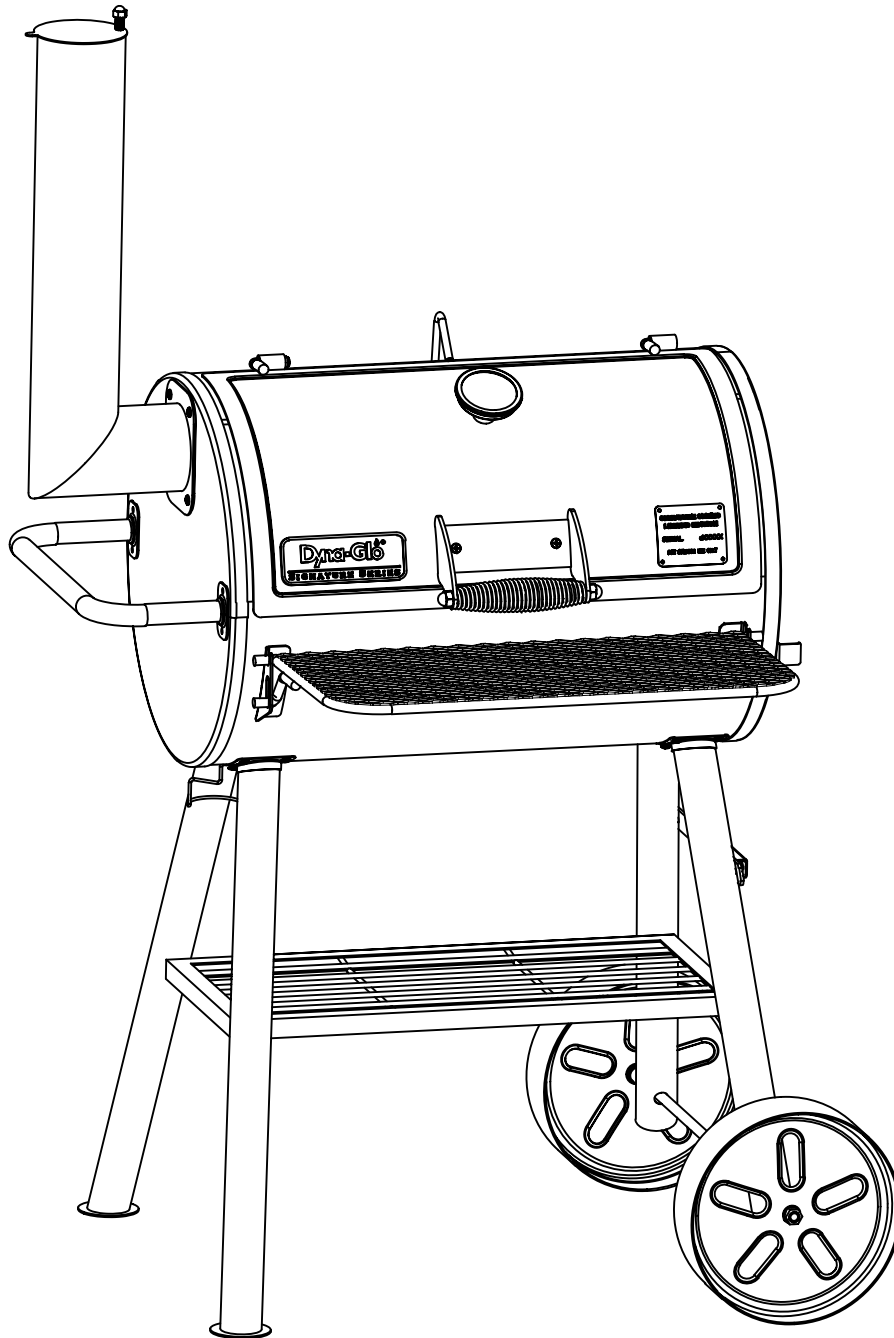
PART	DESCRIPTION	PART #
1	Lid assembly (without Dyna Glo badge and temperature gauge)	70-01-545
2	Temperature gauge	70-01-518
3	Smoke stack damper	70-01-522
4	Lid handle	70-01-584
5	Smoke stack	70-01-548
6	Smoke stack gasket	70-01-549
7	Grill body (without door assembly)	70-01-558
8	Side handle - Grill	70-01-550
9	Grease cup support	70-01-554
10	Left leg - Rear	70-01-585
11	Bottom shelf	70-01-595
12	Left leg - Front	70-01-586
13	Right leg - Rear	70-01-587
14	Right leg - Front	70-01-588

PART	DESCRIPTION	PART #
15	Wheel axle	70-01-596
16	Wheel - Left/Right(1pc.)	70-01-516
17	Offset smoker box support	70-01-589
18	Front shelf bracket - Left	70-01-559
19	Front shelf bracket - Right	70-01-566
20	Front shelf	70-01-597
21	Side access door latch	70-01-592
22	Side damper plate	70-01-593
23	Side access door	70-01-594
24	Charcoal grate(1pc)	70-01-547
25	Cooking grate(1pc)	70-01-598
26	Dyna Glo badge	70-01-562
n/a	Instruction manual	70-10-596
n/a	Hardware pack	70-09-520



Barbecue au charbon haute-capacité cylindrique compact

MODÈLE N° DGSS443CB-D/
DGSS443CB



AGRAFEZ VOTRE FACTURE ICI

Numéro de série _____ Date d'achat _____




Des questions, des problèmes, des pièces manquantes? Avant de retourner chez votre détaillant, appelez notre service à la clientèle au 1 877 447-4768, entre 8 h 30 et 16 h 30 (HNC), du lundi au vendredi ou écrivez à customerservice@ghpgroupinc.com.

TABLE DES MATIÈRES

Informations relatives à la sécurité	20
Contenu de l'emballage	22
Quincaillerie fournie	23
Préparation	23
Instructions d'assemblage	24
Instructions de fonctionnement	32
Entretien et maintenance	33
Garantie	34
Liste des pièces de rechange	35

INFORMATIONS RELATIVES À LA SÉCURITÉ

Veuillez lire et comprendre le présent guide avant de tenter d'assembler, d'utiliser ou d'installer le produit. Si vous avez des questions concernant le produit, appelez notre service à la clientèle au 1 877 447-4768, entre 8 h 30 et 16 h 30 (HNC), du lundi au vendredi, ou écrivez à customerservice@ghpgroupinc.com.

 Faites preuve de prudence lorsque vous soulevez et déplacez l'appareil afin d'éviter les douleurs et les blessures au dos. Ne déplacez jamais l'appareil lorsqu'il est en fonction.

- N'utilisez **PAS** l'appareil près de matériaux inflammables ou combustibles, comme une terrasse, un porche ou un abri à voitures, ou sous de tels matériaux.
- Le dégagement minimum entre l'appareil et les constructions combustibles, sur les côtés et à l'arrière, est de 91,4 cm (36 po).
- N'utilisez **PAS** l'appareil sous des constructions.
- N'utilisez **PAS** l'appareil comme réchaud.
- Utilisez l'appareil sur une surface stable, plane et incombustible comme de l'asphalte, du béton ou tout autre sol solide.
- N'utilisez **PAS** l'appareil sur des matériaux inflammables comme un tapis ou une terrasse en bois.
- Faites preuve de prudence lorsque vous assemblez et utilisez l'appareil pour éviter de vous couper ou de vous écorcher sur les rebords de l'appareil ou de ses pièces.
- N'utilisez **PAS** le produit de quelque manière autre que la fonction pour laquelle il a été prévu. Il n'est PAS destiné à un usage commercial. Il n'est PAS conçu pour une installation ou un usage à bord d'un véhicule récréatif ou d'un bateau.
- N'entrez pas **PAS** l'appareil près d'essence ou d'autres liquides combustibles, ni dans des endroits où des vapeurs combustibles peuvent être présentes.

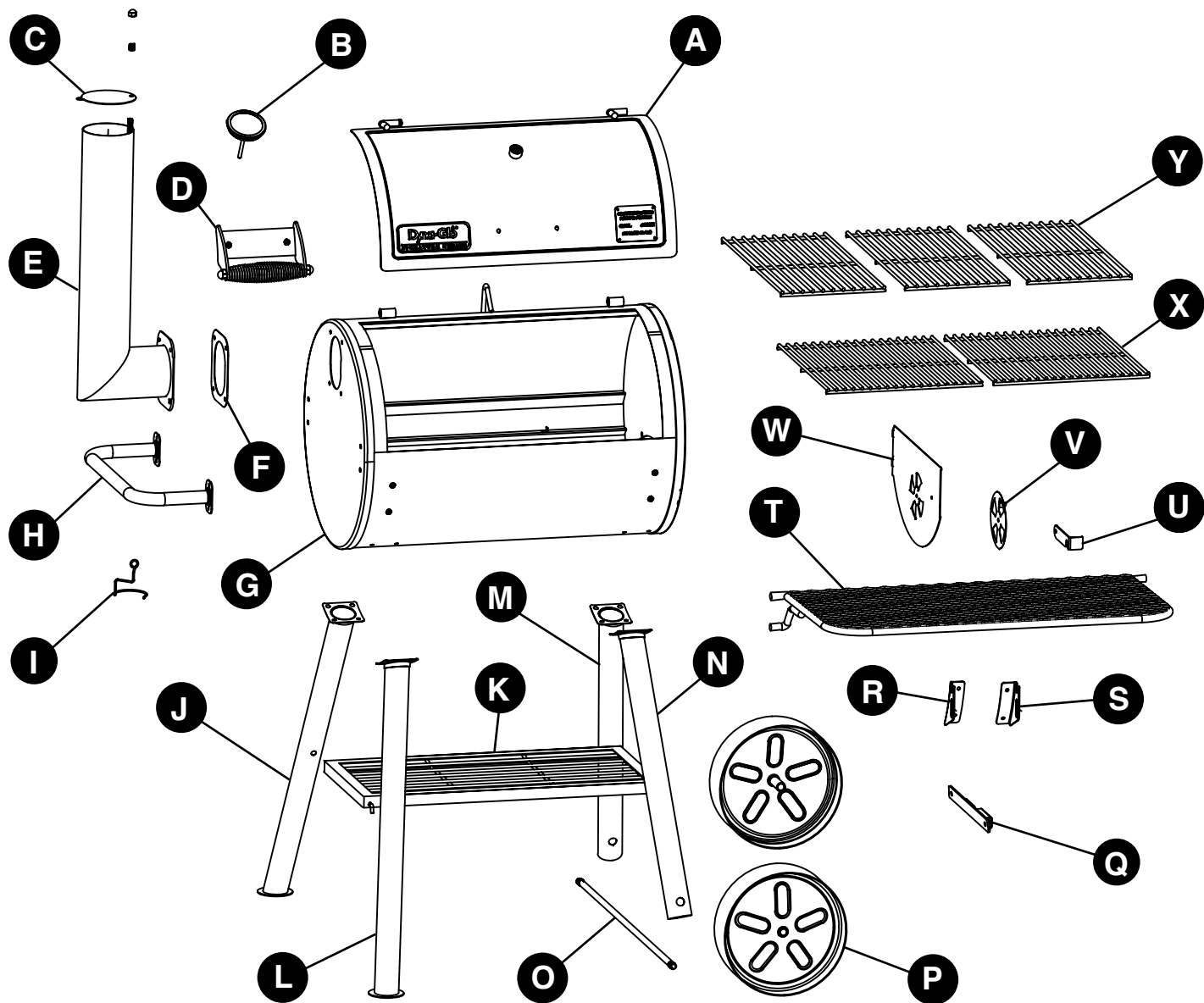
INFORMATIONS RELATIVES À LA SÉCURITÉ

- Ne rangez et n'utilisez **PAS** le produit dans un endroit accessible aux enfants ou aux animaux. Rangez-le dans un endroit sec et protégé.
- Ne laissez **PAS** l'appareil sans surveillance pendant qu'il est en fonction.
- Ne laissez **PAS** de cendres chaudes sans surveillance tant que le barbecue n'a pas complètement refroidi.
- Ne déplacez **PAS** l'appareil lorsqu'il est en fonction ou que les cendres sont encore chaudes. Laissez-le refroidir complètement avant de le déplacer ou de le ranger.
- N'utilisez **JAMAIS** d'essence, de kérosène, d'essence à briquet Zippo/Ronson ou d'autres fluides très volatils comme allume-feu.
- Faites toujours cuire les aliments sur la grille une fois que les flammes se sont éteintes d'elles-mêmes.
- Jetez les cendres froides en les enveloppant dans du papier d'aluminium très résistant et en les plaçant dans un contenant incombustible. Assurez-vous qu'il n'y a aucune matière combustible dans le contenant ou près de celui-ci.
- Si vous devez jeter les cendres avant qu'elles n'aient complètement refroidi, retirez-les de l'appareil à l'aide de gants résistants à la chaleur et de longues pinces en métal ou d'une pelle à cendres. Placez les braises dans du papier d'aluminium et trempez-les complètement dans l'eau avant de les jeter dans un contenant incombustible.
- Laissez l'appareil refroidir complètement avant de procéder au nettoyage et à l'entretien habituels de l'appareil.
- L'appareil sera brûlant pendant et après l'utilisation. Utilisez des mitaines de four ou des gants isolants pour vous protéger des surfaces brûlantes et des éclaboussures de liquides de cuisson chauds.
- La graisse et les autres liquides accumulés dans le récupérateur de graisse seront chauds après l'utilisation de l'appareil. Laissez le récupérateur de graisse refroidir complètement avant de l'enlever ou de le jeter. Si le récupérateur de graisse doit être retiré avant d'avoir complètement refroidi, utilisez des gants résistants à la chaleur ou des mitaines de four pour le retirer ou le jeter.
- Faites preuve de prudence lorsque vous ouvrez le couvercle de l'appareil pendant qu'il est en fonction. Gardez vos mains, votre visage et votre corps loin de la vapeur chaude et des flammes. N'inhalez **PAS** de fumée.
- Ne portez **PAS** de vêtements amples lorsque vous utilisez le barbecue. Attachez vos cheveux, s'ils sont longs, lorsque vous utilisez le barbecue.
- Portez **TOUJOURS** des chaussures qui couvrent entièrement vos pieds lorsque vous utilisez le barbecue.
- N'utilisez **JAMAIS** d'accessoires de cuisson en verre, en plastique ou en céramique sur le barbecue ou à l'intérieur de celui-ci. Utilisez des accessoires en métal uniquement.
- L'utilisation d'accessoires non conçus pour une utilisation avec ce barbecue n'est pas recommandée et peut entraîner des blessures ou des bris matériels.

PROPOSITION 65 DE L'ÉTAT DE LA CALIFORNIE

Les combustibles utilisés dans les appareils fonctionnant au bois ou au charbon et leurs produits de combustion contiennent des substances chimiques reconnues dans l'État de la Californie comme causant le cancer, des malformations congénitales ou d'autres problèmes de reproduction. Ce produit contient des substances chimiques, dont le plomb et des composés de plomb, reconnus par l'État de la Californie comme causant le cancer, des malformations congénitales ou d'autres problèmes de reproduction. **Lavez-vous les mains après avoir manipulé l'appareil.**

CONTENU DE L'EMBALLAGE



PIÈCE	DESCRIPTION	QUANTITÉ
A	Couvercle	1
B	Jauge de température	1
C	Clapet d'aération de la cheminée	1
D	Poignée du couvercle	1
E	Cheminée	1
F	Joint de la cheminée	1
G	Bâti du barbecue	1
H	Poignée latérale	1
I	Support du récupérateur de graisse	1
J	Pied arrière gauche	1
K	Tablette inférieure	1
L	Pied avant gauche	1
M	Pied arrière droit	1

PIÈCE	DESCRIPTION	QUANTITÉ
N	Pied avant droit	1
O	Axe de roue	1
P	Roues	2
Q	Support de la chambre de combustion du fumoir décalé	1
R	Support de tablette avant – gauche	1
S	Support de tablette avant – droit	1
T	Tablette avant	1
U	Loquet de la porte d'accès latérale	1
V	Registre latéral	1
W	Porte d'accès latérale	1
X	Grilles à charbon	2
Y	Grilles de cuisson	3

QUINCAILLERIE FOURNIE

AA



Boulon
M6 x 12 mm

Qté 31

BB



Écrou
M6

Qté 28

CC



Rondelle
plate
M6

Qté 16

DD



Écrou
M12

Qté 2

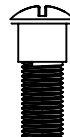
EE



Écrou
de blocage
M6

Qté 1

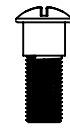
FF



Boulon
M6 x 14 mm

Qté 1

GG



Boulon
M5 x 13 mm

Qté 1

HH



Écrou
M5

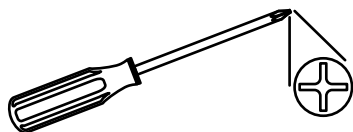
Qté 1

PRÉPARATION

Avant de commencer l'assemblage du produit, assurez-vous que toutes les pièces sont présentes. Comparez les pièces à la liste de contenu de l'emballage et de quincaillerie fournie précédemment. Si des pièces sont manquantes ou endommagées, ne tentez pas d'assembler le produit. Communiquez avec le service à la clientèle pour obtenir des pièces de rechange.

Temps d'assemblage estimé : 30 minutes

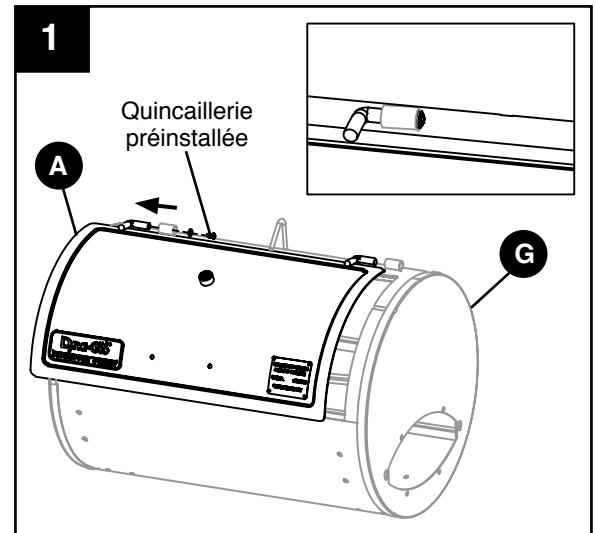
Outils nécessaires pour l'assemblage (non compris) : tournevis cruciforme, clé à molette ajustable



INSTRUCTIONS D'ASSEMBLAGE




**⚠ MISE EN GARDE : Cet appareil est LOURD!
Ne tentez pas de le manipuler sans aide!**

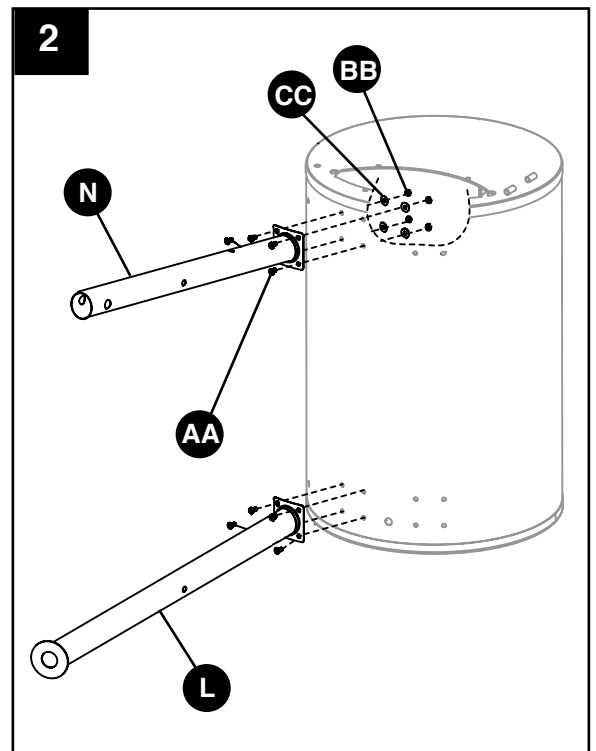
1. Retirez le boulon et la rondelle préinstallés sur la charnière gauche du couvercle du bâti du barbecue (G) et glissez le couvercle (A) hors des charnières du bâti du barbecue.



2. Fixez les pieds avant gauche (L) et droit (N) à l'aide de quatre (4) boulons M6 x 12 mm (AA), de quatre (4) écrous M6 (BB) et de quatre (4) rondelles plates M6 (CC) par pied.

Matériel utilisé




AA	Boulon M6 x 12 mm		x 8
BB	Écrou M6		x 8
CC	Rondelle plate M6		x 8

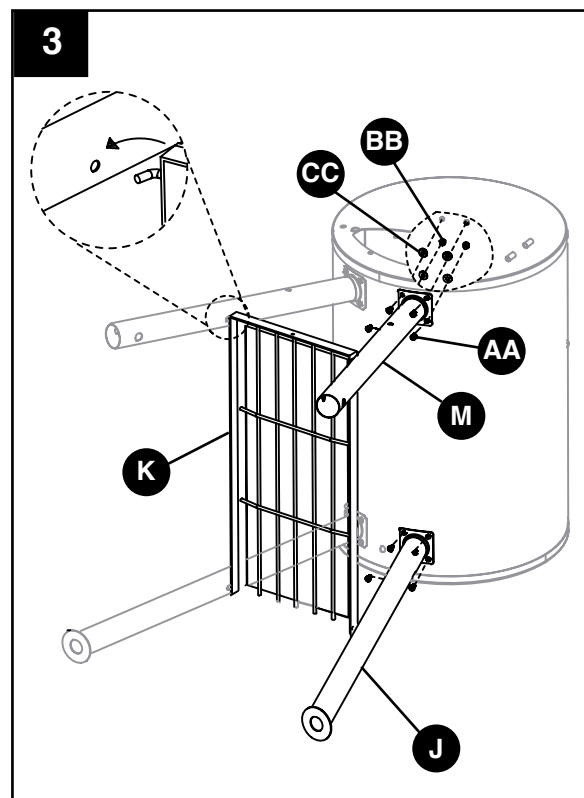


INSTRUCTIONS D'ASSEMBLAGE

3. Avant de fixer les pieds arrière, insérez les tenons de la tablette inférieure (K) dans les trous situés sur les quatre (4) pieds. Une fois la tablette inférieure (K) bien en place, fixez les pieds arrière gauche (J) et droit (M) à l'aide de quatre (4) boulons M6 x 12 mm (AA), de quatre (4) écrous M6 (BB) et de quatre (4) rondelles plates M6 (CC) par pied.

Matériel utilisé

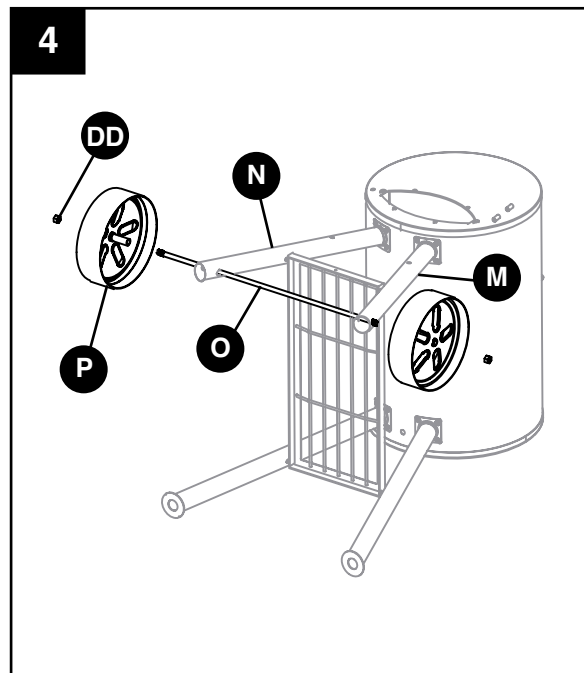
AA	Boulon M6 x 12 mm		x 8
BB	Écrou M6		x 8
CC	Rondelle plate M6		x 8



4. Insérez l'axe de roue (O) dans les trous des pieds droits avant (N) et arrière (M) et fixez les roues gauche et droite (P) à l'aide d'un (1) écrou M12 (DD) de chaque côté.

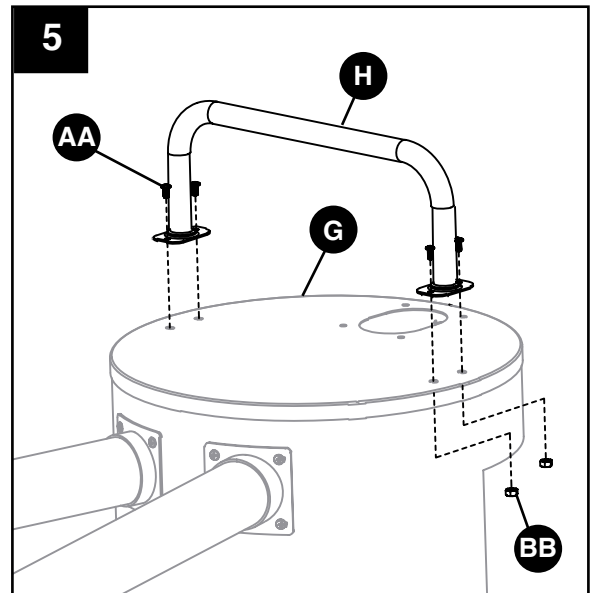
Matériel utilisé

DD	Écrou M12		x 2
-----------	-----------	---	-----





INSTRUCTIONS D'ASSEMBLAGE

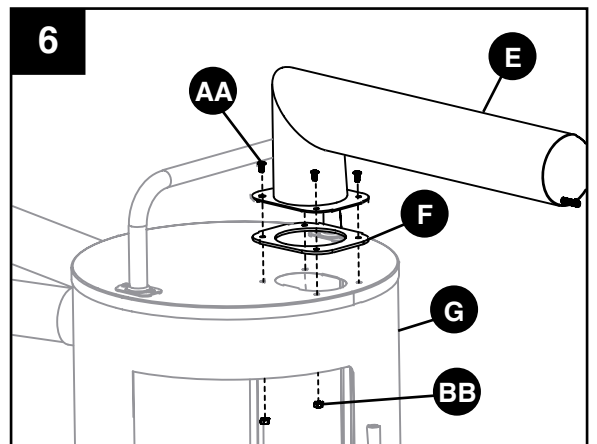
5. Fixez la poignée latérale (H) au côté gauche du bâti du barbecue (G) à l'aide de quatre (4) boulons M6 x 12 mm (AA) et de quatre (4) écrous M6 (BB).





Matériel utilisé

AA	Boulon M6 x 12 mm		x 4
BB	Écrou M6		x 4

6. Placez le joint de la cheminée (F) entre le bâti du barbecue (G) et la cheminée (E) et fixez le tout à l'aide de quatre (4) boulons M6 x 12 mm (AA) et de quatre (4) écrous M6 (BB).

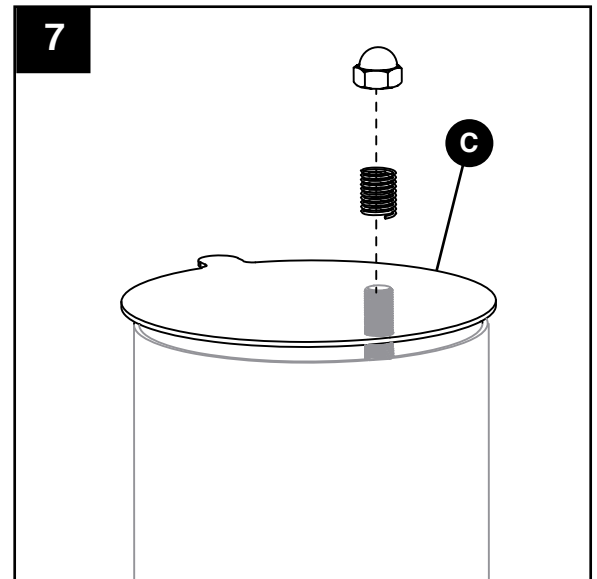


Matériel utilisé

AA	Boulon M6 x 12 mm		x 4
BB	Écrou M6		x 4

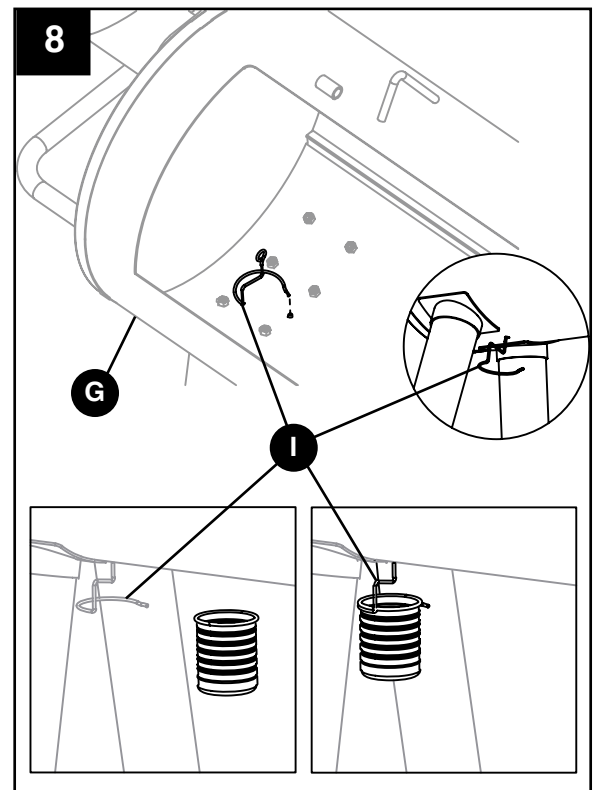
INSTRUCTIONS D'ASSEMBLAGE

7. Fixez le clapet d'aération de la cheminée (C) à l'aide du ressort et de l'écrou préinstallés.



8. Insérez l'extrémité du support du récupérateur de graisse (I) dans le trou situé au fond du bâti du barbecue (G). Faites glisser le support dans le trou jusqu'à ce qu'il soit suspendu comme illustré.



Remarque : Ce barbecue ne comprend pas de contenant pour récupérer la graisse ou les liquides s'écoulant à l'intérieur du bâti du barbecue. Utilisez une boîte de conserve en aluminium vide d'un diamètre minimal de 58 mm (2 1/4 po) et glissez la lèvre supérieure de la boîte dans le support du récupérateur de graisse (I) comme illustré. Voir la page 3 pour savoir comment jeter la boîte après utilisation.

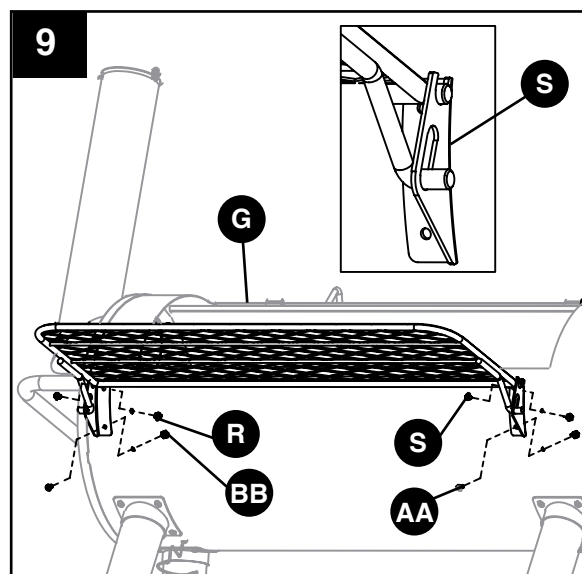


INSTRUCTIONS D'ASSEMBLAGE

9. Fixez le support de tablette de droite (S) au bâti du barbecue (G) à l'aide de deux (2) boulons M6 x 12 mm (AA) et de deux (2) écrous M6 (BB). Insérez les tiges de la tablette dans le support comme illustré. Insérez les tiges de la tablette dans le support de tablette de gauche (R) avant de le fixer à l'aide de deux (2) boulons M6 x 12 mm (AA) et de deux (2) écrous M6 (BB).

Matériel utilisé

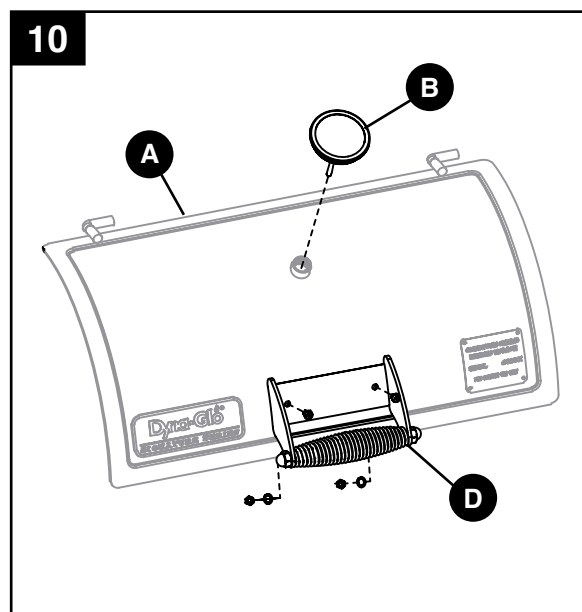
AA	Boulon M6 x 12 mm		x 4
BB	Écrou M6		x 4



10. Fixez la jauge de température (B) en insérant la sonde par l'ouverture fileté du couvercle (A) et en tournant dans le sens horaire. Ne retirez pas l'écrou préinstallé avant l'installation.

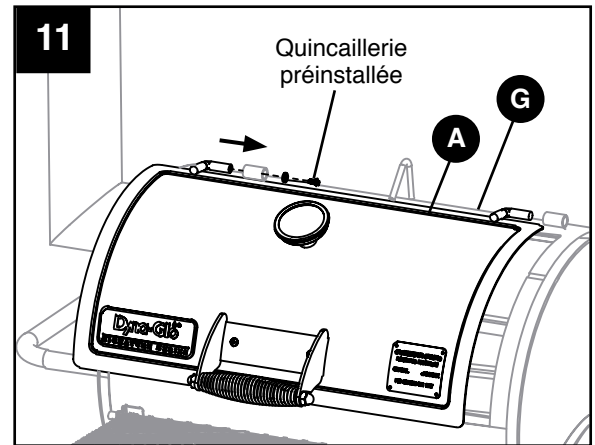
REMARQUE : L'alignement de la jauge de température peut être réglé en tournant l'écrou préinstallé dans le sens horaire (ou antihoraire) avant l'installation.

Fixez la poignée du couvercle (D) au couvercle (A) à l'aide de deux (2) boulons, de deux (2) écrous et de deux (2) rondelles plates préinstallés.



INSTRUCTIONS D'ASSEMBLAGE

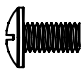

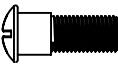

11. Fixez l'assemblage du couvercle (A) aux charnières du bâti du barbecue (G) à l'aide du boulon et de la rondelle préinstallés.

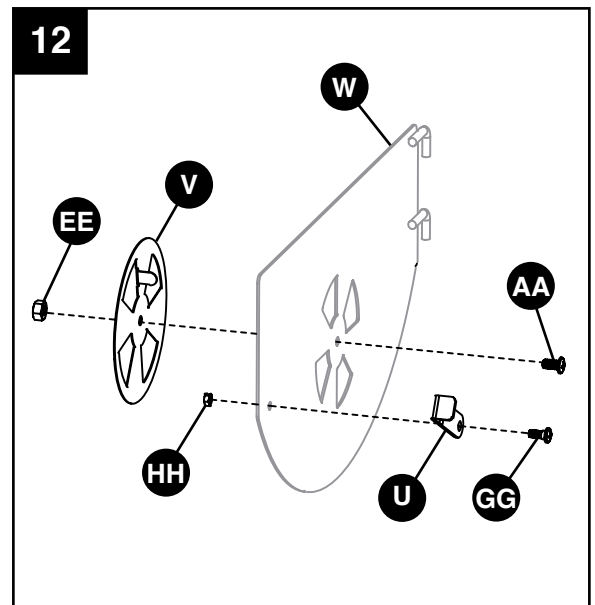


12. Fixez le registre latéral (V) à l'intérieur de la porte d'accès (W) à l'aide d'un (1) boulon M6 x 12 mm (AA) et d'un (1) écrou de blocage M6 (EE).

Fixez le loquet de la porte (U) à l'extérieur de la porte d'accès (W) à l'aide d'un (1) boulon M5 x 13 mm (GG) et d'un (1) écrou M5 (HH).

Matériel utilisé

AA	Boulon M6 x 12 mm		x 1
EE	Écrou de blocage M6		x 1
GG	Boulon M5 x 13 mm		x 1
HH	Écrou M5		x 1



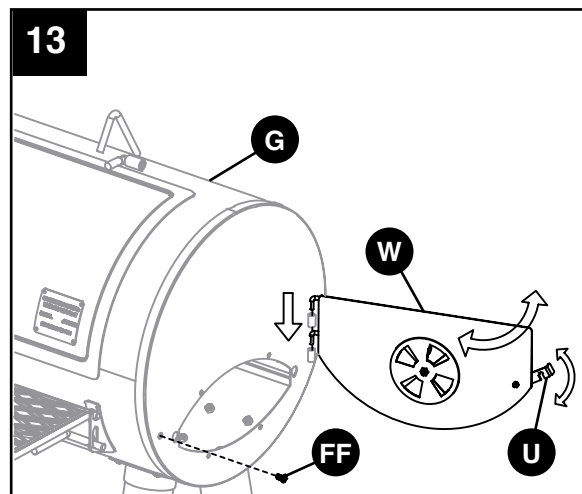
INSTRUCTIONS D'ASSEMBLAGE

13. Vissez un (1) boulon à épaulement M6 x 14 mm (FF) dans le bâti du barbecue (G). Fixez la porte d'accès (W) au bâti du barbecue (G) en faisant glisser les tiges de la charnière dans les trous de la charnière du bâti du barbecue (G).

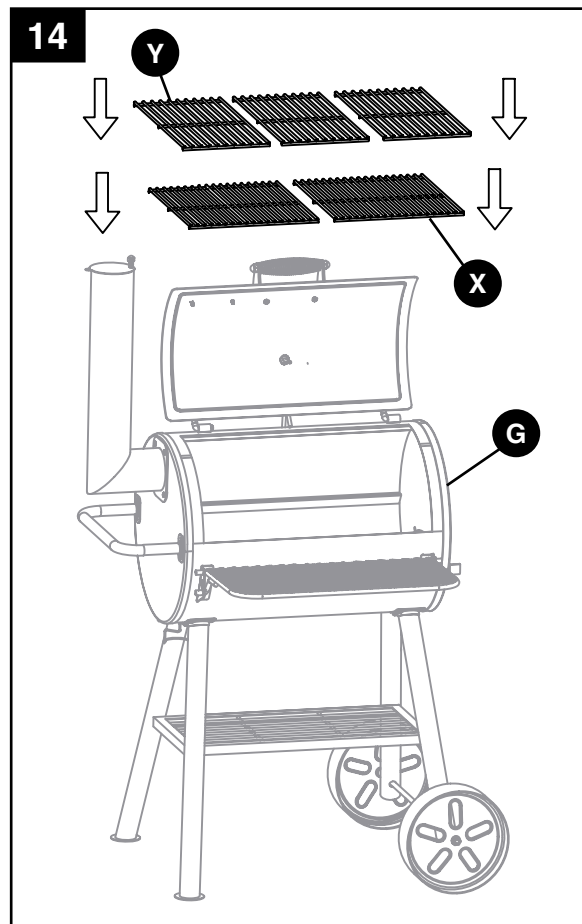
Verrouillez la porte d'accès (W) en pivotant le loquet de la porte (U) sur le boulon M6 x 14 mm du bâti du barbecue (G).

Matériel utilisé

FF Boulon M6 x 12 mm  x 1



14. Placez les grilles à charbon (X) sur les rails de soutien inférieurs à l'intérieur du bâti du barbecue (G). Placez les grilles de cuisson (Y) sur les rails de soutien supérieurs à l'intérieur du bâti du barbecue (G).



INSTRUCTIONS D'ASSEMBLAGE

15. Fixez le support du fumoir décalé (Q) aux pieds droits avant (N) et arrière (M) à l'aide de deux (2) boulons M6 x 12 mm (AA).

Remarque : Ce support sert à soutenir la chambre de combustion du fumoir décalé Dyna-Glo DGSS287CB-D (vendu séparément).

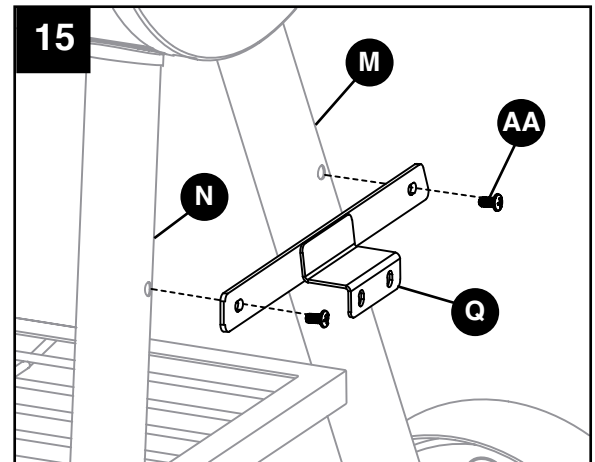
Matériel utilisé

AA

Boulon
M6 x 12 mm



x 2



INSTRUCTIONS DE FONCTIONNEMENT

AVANT LA PREMIÈRE UTILISATION

Retirez tous les emballages et toutes les attaches de plastique, le cas échéant.

Avant la cuisson des aliments, il est important de culotter le barbecue. Le culottage permet de sceller la peinture et l'intérieur de l'appareil pour améliorer le goût des aliments, en plus d'augmenter la durabilité et la performance globale. Pour culotter le barbecue, utilisez-le comme vous le feriez normalement, mais en ne faisant cuire aucun aliment. Vous devrez suivre toutes les procédures d'allumage et d'utilisation des prochaines sections de ce guide.

Culottage du barbecue

En utilisant la quantité recommandée de charbon (indiquée ci-dessous), faites chauffer le barbecue pendant au moins 30 à 45 minutes.

Instructions d'allumage

Commencez avec au moins 1,8 kg (4 lb) de charbon (75 briquettes standards). Ajustez la quantité au besoin lorsque vous cuisinez par temps froid, venteux ou pluvieux.

Étape 1

Remarque : Veuillez vous reporter aux recommandations du fabricant pour connaître la quantité d'allume-feu liquide pour charbon de bois avant d'en mettre sur les briquettes. Il est possible d'ajouter du charbon au barbecue en retirant les grilles de cuisson de ce dernier. Empilez le charbon au milieu de la grille à charbon. Les briquettes doivent être rapprochées les unes des autres afin d'assurer une combustion optimale. Dispersez de l'allume-feu liquide sur les charbons en respectant la quantité recommandée par le fabricant. Après avoir laissé le charbon s'imbiber, placez l'allume-feu liquide à une distance sécuritaire du barbecue. Laissez l'allume-feu liquide s'imbiber dans le charbon pendant trois (3) minutes avant l'allumage.

Étape 2

Alors que le couvercle est ouvert, tenez-vous à l'écart, allumez le charbon avec prudence et laissez-le brûler jusqu'à ce qu'il soit recouvert d'une mince couche de cendre (environ 20 minutes). Il faut laisser le temps à l'allume-feu liquide de se consumer complètement avant de fermer le couvercle. (Les vapeurs auront tendance à s'accumuler dans les deux chambres de combustion lorsque les deux couvercles sont fermés.)

Étape 3

Après 20 à 25 minutes, les charbons devraient être prêts pour la cuisson. Utilisez des gants résistants à la chaleur ou des mitaines de four lorsque vous remplacez les grilles de cuisson dans le barbecue. Reportez-vous à la prochaine section avant d'ajouter des copeaux sur les charbons allumés.

⚠ AVERTISSEMENT : Faites preuve de prudence, car des flammes peuvent jaillir lorsque de l'air frais entre soudainement en contact avec le feu. Lorsque vous ouvrez le couvercle, gardez vos mains, votre visage et votre corps à une distance sécuritaire de la vapeur chaude et des flammes.

⚠ AVERTISSEMENT : N'ajoutez jamais d'allume-feu liquide sur les charbons ardents ou même chauds, car cela pourrait provoquer un retour de flamme entraînant des blessures graves.

Attendez que les braises aient complètement refroidi avant de réutiliser ou de nettoyer le barbecue ou le fumoir.

SÉCURITÉ ET ENTRETIEN APRÈS USAGE

AVERTISSEMENT

- Soyez prudent lorsque vous soulevez et déplacez l'appareil afin d'éviter les douleurs et les blessures. Il est conseillé de s'y prendre à deux pour le soulever ou le déplacer.
- N'entreposez **PAS** l'appareil près d'essence ou d'autres liquides combustibles, ni dans des endroits où des vapeurs combustibles peuvent être présentes. Maintenez la zone entourant l'appareil propre et libre de tout matériau ou de toute vapeur combustibles.
- Ne rangez **PAS** l'appareil dans un endroit accessible aux enfants ou aux animaux. Rangez-le dans un endroit sec et protégé.
- Ne laissez **PERSONNE** mener des activités autour de l'appareil après son fonctionnement tant qu'il n'a pas refroidi. Il devient chaud pendant son fonctionnement et reste chaud pendant un certain temps après l'utilisation.
- Ne laissez **PAS** de cendres chaudes sans surveillance tant que l'appareil n'a pas complètement refroidi.
- Le barbecue peut devenir extrêmement chaud – laissez-le refroidir complètement avant de le manipuler. Laissez le barbecue refroidir avant d'enlever et de nettoyer le récupérateur de graisse.
- Jetez les cendres **froides** en les enveloppant dans du papier d'aluminium très résistant et en les plaçant dans un contenant incombustible.
- Si vous devez jeter les cendres avant qu'elles n'aient complètement refroidi, retirez les cendres à l'aide de gants résistants à la chaleur, de même qu'à l'aide de pinces en métal ou d'une pelle à cendres Dyna-Glo (en option) ou autre. Placez les cendres dans du papier d'aluminium. Trempez-les complètement dans l'eau avant de les jeter dans un contenant incombustible.

MISE EN GARDE : Toutes les procédures d'entretien et de maintenance doivent être effectuées lorsque l'appareil a complètement refroidi.

Nettoyez les grilles de cuisson à l'aide d'eau chaude savonneuse. Rincez-les et essuyez-les bien. Il est préférable d'enduire les grilles de cuisson d'un peu d'huile ou d'aérosol de cuisson.

Pour nettoyer l'intérieur et l'extérieur du bâti du barbecue, utilisez simplement un chiffon humide. Le lavage à l'aide d'un boyau d'arrosage n'est pas recommandé. L'humidité doit être essuyée et ne doit pas être tolérée à l'intérieur ou sur le dessus du barbecue. Une fois nettoyé, il est préférable d'enduire l'intérieur du bâti du barbecue d'un peu d'huile ou d'aérosol de cuisson.

S'il y a présence de rouille à l'extérieur de l'appareil, nettoyez bien la zone à l'aide d'une laine d'acier ou d'une toile d'émeri et enduisez-la de peinture durable résistante à la chaleur.

N'appliquez JAMAIS de peinture supplémentaire à l'intérieur de l'appareil. S'il y a présence de rouille à l'intérieur du barbecue, nettoyez-le bien à l'aide d'une laine d'acier ou d'une toile d'émeri et enduisez la zone d'un peu d'huile ou d'aérosol de cuisson pour aider à réduire la réapparition de la rouille.

Pour protéger l'appareil des conditions climatiques, couvrez-le toujours lorsque vous ne l'utilisez pas.

GARANTIE

Ce barbecue au charbon est garanti contre les pièces brisées ou endommagées au moment de l'achat. Toutes les pièces sont couvertes par une garantie limitée d'un (1) an. La peinture est garantie contre les défauts pour une période de 90 jours, mais n'est pas garantie contre la rouille, qui pourrait apparaître après une utilisation répétée.

La garantie ne couvre pas les dommages et les problèmes causés par une négligence, une utilisation abusive ou des modifications apportées à l'appareil. La garantie ne couvre pas les coûts de main-d'œuvre.

Pour chaque pièce couverte par la garantie, une pièce de remplacement sera livrée sans frais selon la méthode choisie par GHP Group, Inc. (livraisons par voie terrestre, service postal des États-Unis ou services de colis postaux UNIQUEMENT). Tous les frais de manutention spéciaux (p. ex. 2 jours, jour suivant, etc.) relèvent de la responsabilité du consommateur.

Toutes les réclamations sous garantie s'appliquent uniquement à l'acheteur initial du produit et nécessitent une preuve d'achat qui indique la date d'achat. Ne retournez aucune pièce à l'adresse de GHP sans avoir obtenu au préalable un numéro d'autorisation de retour de la part du service à la clientèle. Pour obtenir ce service, appelez sans frais au 1 877 447-4768, entre 8 h 30 et 16 h 30 (HNC), du lundi au vendredi.

Les lois en vigueur dans certains États, provinces ou territoires n'autorisent pas l'exclusion ou la limitation des dommages consécutifs ou indirects, ou encore, la limitation de la durée d'une garantie implicite et, par conséquent, les limitations et exclusions énoncées ci-dessus pourraient ne pas s'appliquer à vous. La présente garantie vous accorde des droits spécifiques reconnus par la loi et vous bénéficiez peut-être aussi d'autres droits, qui peuvent varier selon l'État, la province ou le territoire.

GHP Group, Inc.
6440 W. Howard St.
Niles, IL, États-Unis
60714-3302

Nom de l'article : Barbecue au charbon haute-capacité cylindrique compact
N° de modèle : DGSS443CB/DGSS443CB-D

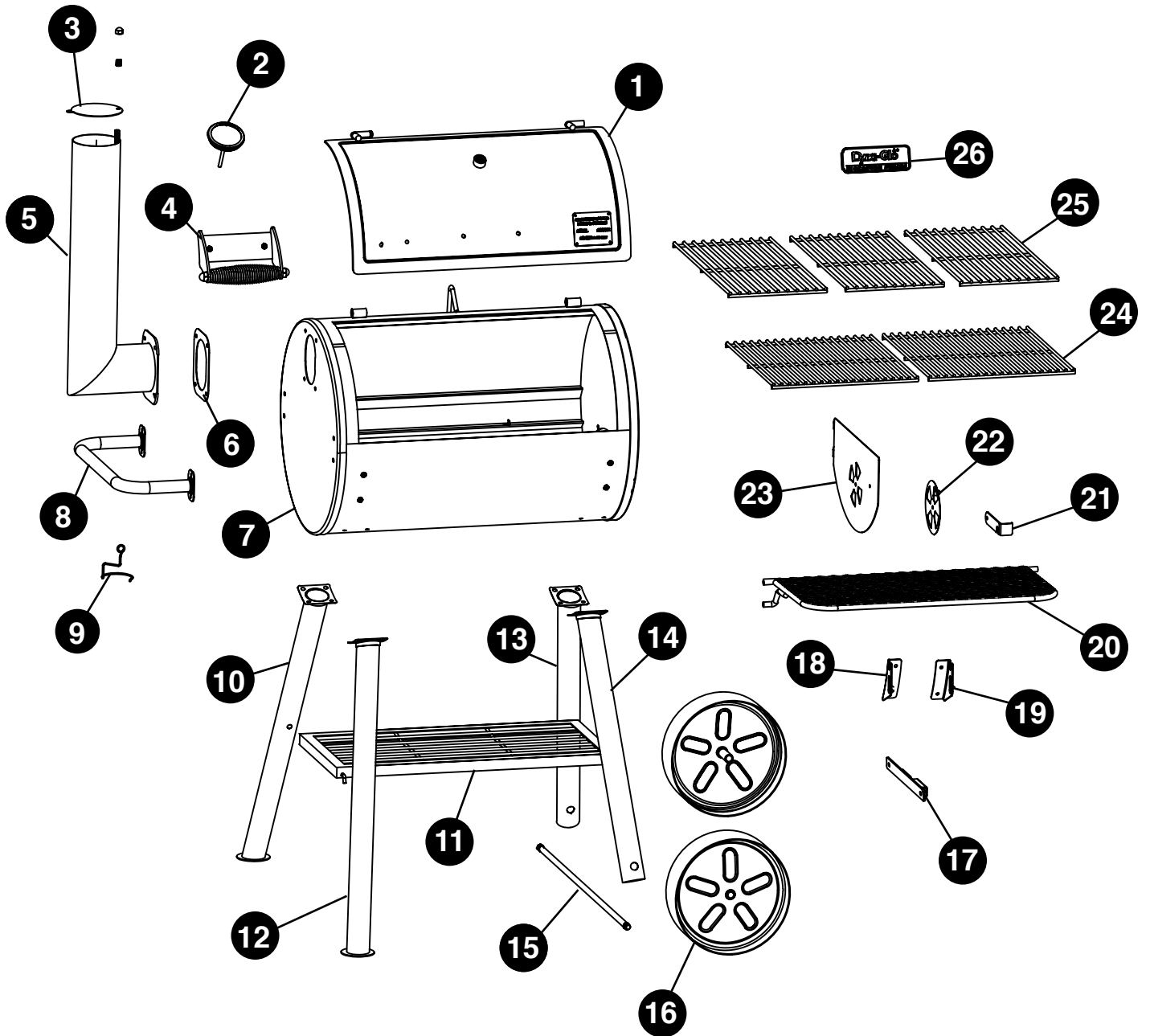
LISTE DES PIÈCES DE RECHANGE

Pour obtenir des pièces de rechange, appelez notre service à la clientèle au 1 877 447-4768, entre 8 h 30 et 16 h 30 (HNC), du lundi au vendredi, ou écrivez à customerservice@ghpgroupinc.com.

PIÈCE	DESCRIPTION	NUMÉRO DE PIÈCE
1	Assemblage du couvercle (sans le badge Dyna-Glo et la jauge de température)	70-01-545
2	Jauge de température	70-01-518
3	Clapet d'aération de la cheminée	70-01-522
4	Poignée du couvercle	70-01-584
5	Cheminée	70-01-548
6	Joint de la cheminée	70-01-549
7	Bâti du barbecue (sans l'assemblage de la porte)	70-01-558
8	Poignée latérale – barbecue	70-01-550
9	Support du récupérateur de graisse	70-01-554
10	Pied arrière gauche	70-01-585
11	Tablette inférieure	70-01-595
12	Pied avant gauche	70-01-586
13	Pied arrière droit	70-01-587
14	Pied avant droit	70-01-588

PIÈCE	DESCRIPTION	NUMÉRO DE PIÈCE
15	Axe de roue	70-01-596
16	Roue – gauche/droite (1)	70-01-516
17	Support de la chambre de combustion du fumoir décalé	70-01-589
18	Support de tablette avant – gauche	70-01-559
19	Support de tablette avant – droit	70-01-566
20	Tablette avant	70-01-597
21	Loquet de la porte d'accès latérale	70-01-592
22	Registre latéral	70-01-593
23	Porte d'accès latérale	70-01-594
24	Grille à charbon (1)	70-01-547
25	Grille de cuisson (1)	70-01-598
26	Badge Dyna-Glo	70-01-562
n/a	Guide d'instruction	70-10-596
n/a	Trousse de matériel	70-09-520

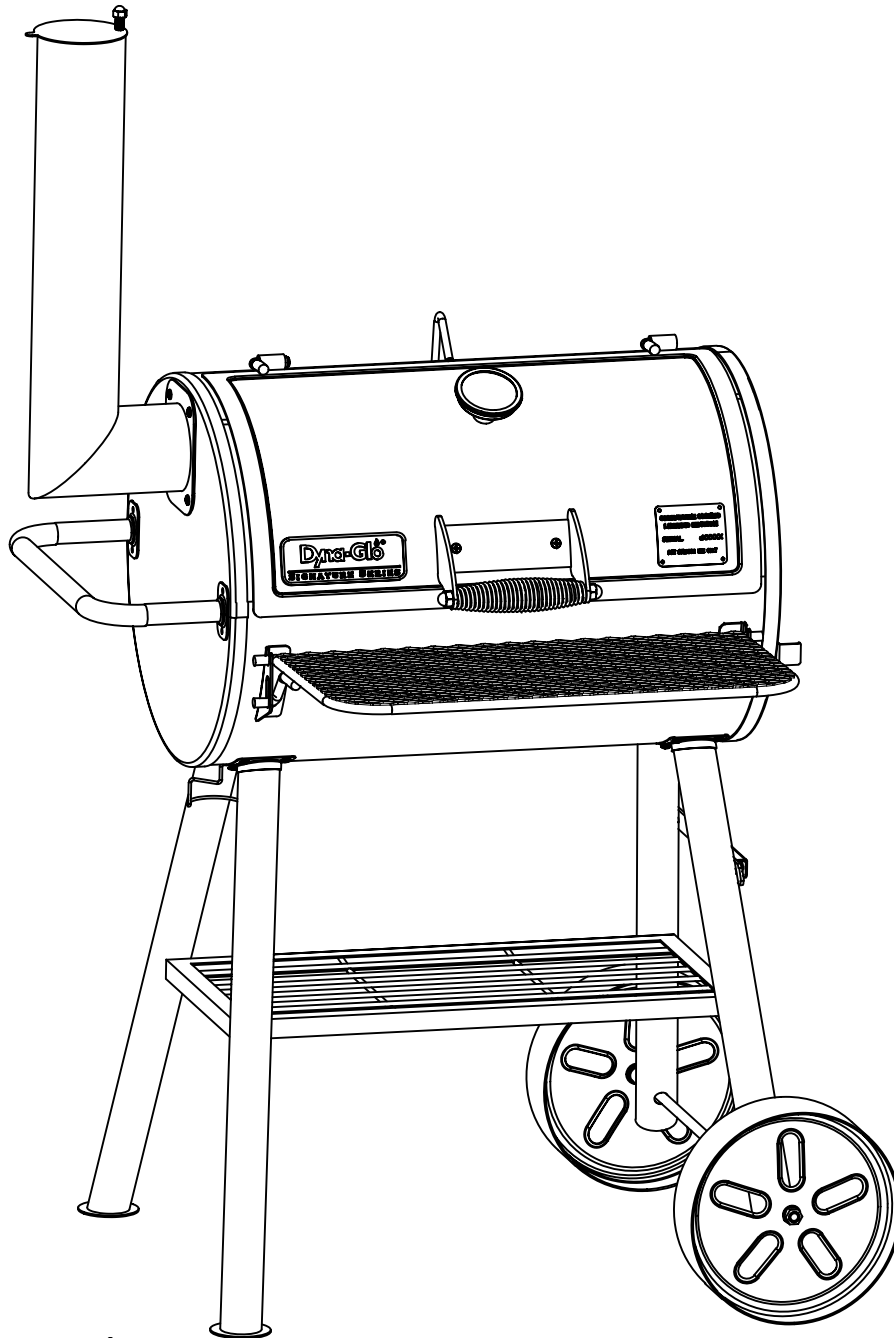
LISTE DES PIÈCES DE RECHANGE





Resistente Parrilla compacta de tambor a carbón

MODELO N.º DGSS443CB-D /
DGSS443CB



ADJUNTE SU RECIBO AQUÍ

Número de serie _____ Fecha de compra _____




¿Dudas, problemas, piezas faltantes? Antes de volver a la tienda, llame a nuestro Departamento de Atención al Cliente al 1-877-447-4768, de lunes a viernes de 8:30 a 16:30 (hora central estándar), o escriba a customerservice@ghpgroupinc.com.

CONTENIDO

Información de seguridad	38
Contenido del paquete	40
Herramientas y tornillería	41
Preparación	41
Instrucciones de ensamblaje	42
Instrucciones de funcionamiento	50
Cuidado y mantenimiento	51
Garantía	52
Lista de piezas de repuesto	53

INFORMACIÓN DE SEGURIDAD

Lea el manual entero atentamente antes de intentar ensamblar, poner en funcionamiento o instalar el producto. Si tiene alguna pregunta sobre el producto, llame a nuestro Departamento de Atención al Cliente al 1-877-447-4768, de lunes a viernes de 8:30 a 16:30 (hora central estándar), o escriba a customerservice@ghpgroupinc.com.

 Tenga precaución al levantar y mover la unidad para evitar un esguince o lesión en la espalda. No mueva la unidad mientras esté en uso.

- **NO** ponga en funcionamiento la unidad cerca ni debajo de materiales combustibles o inflamables, como pisos de madera, galerías o cocheras.
- La distancia mínima desde los laterales y la parte trasera hasta la estructura combustible debe ser de 36 pulgadas (91,4 cm).
- **NO** ponga en funcionamiento la unidad debajo de techos.
- **NO** utilice esta parrilla como calefactor.
- Utilice la unidad sobre una superficie no combustible, estable y nivelada, por ejemplo, una superficie asfaltada, de cemento o tierra firme.
- **NO** ponga en funcionamiento la unidad sobre material inflamable, como alfombra o pisos de madera.
- Tenga precaución al ensamblar y utilizar esta unidad para evitar cortarse y rasparse con los bordes.
- **NO** utilice este producto con una finalidad para la que no fue diseñado. **NO** está diseñada para uso comercial. **NO** está diseñada para ser instalada o utilizada en interiores ni sobre casas rodantes o embarcaciones.
- **NO** guarde esta unidad cerca de gasolina u otros líquidos combustibles o donde podría haber otros vapores combustibles.

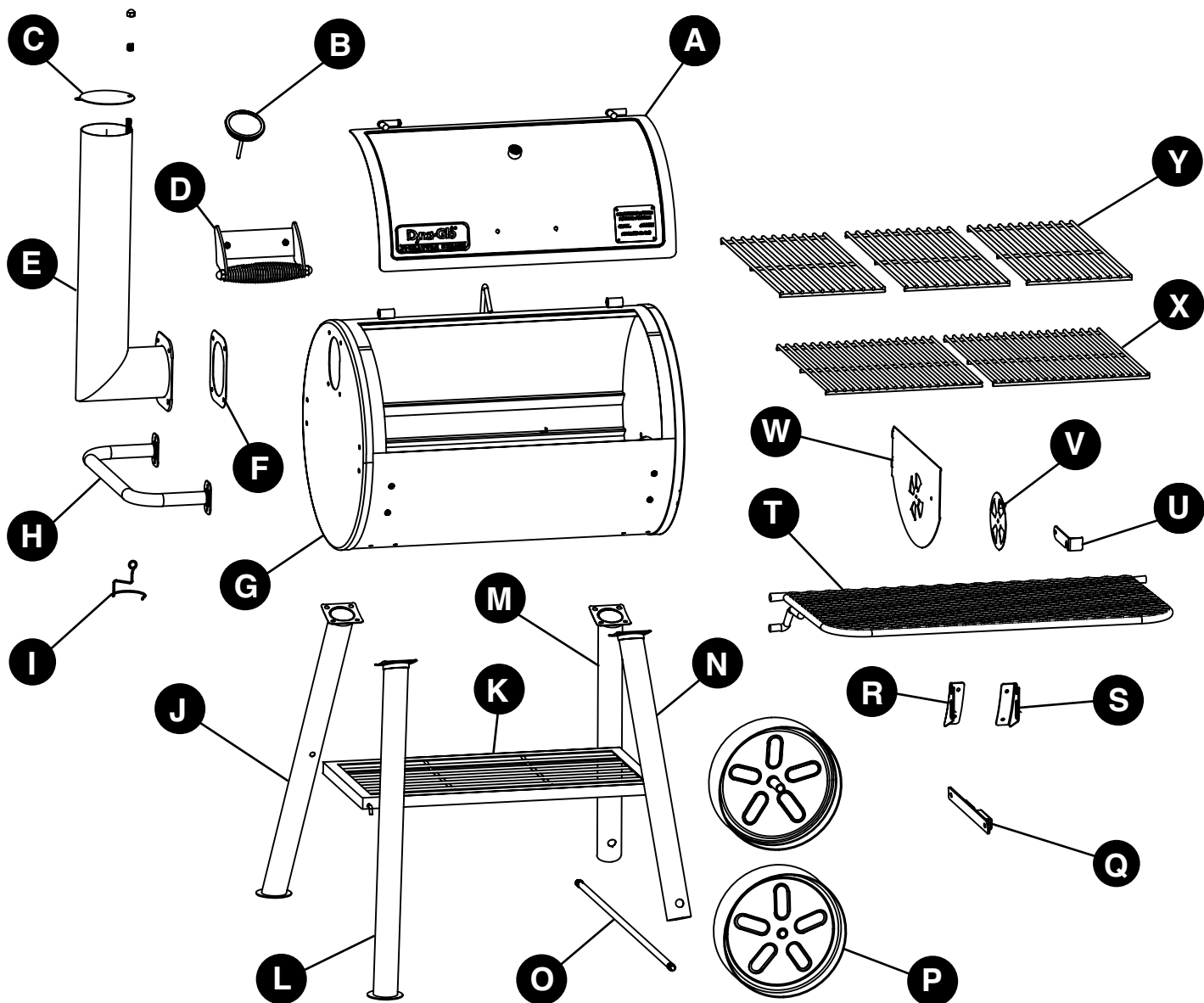
INFORMACIÓN DE SEGURIDAD

- **NO** utilice ni guarde esta unidad en un área a la que podrían acceder niños o mascotas. Guarde esta unidad en un lugar seco y protegido.
- **NO** deje desatendida la unidad mientras esté en uso.
- **NO** deje desatendidas las cenizas calientes hasta que la unidad se enfríe completamente.
- **NO** mueva la unidad mientras esté encendida o mientras las cenizas estén calientes. Deje que la unidad se enfríe completamente antes de moverla o guardarla.
- **NUNCA** utilice gasolina, kerosene, líquido combustible Zippo/Ronson ni otros líquidos altamente volátiles para encender la unidad.
- Siempre cocine los alimentos sobre la parrilla una vez que la llama se haya apagado.
- Deseche las cenizas frías envolviéndolas en una hoja de aluminio resistente y colocándolas en un contenedor no combustible. Asegúrese de que no haya otros materiales combustibles dentro o cerca del contenedor.
- Si debe desechar las cenizas antes de que estén completamente frías, quítelas de la unidad utilizando guantes termorresistentes junto con una pinza de metal larga o una pala para hogar. Coloque las brasas en una hoja de aluminio y mójelas por completo con agua antes de desecharlas en un contenedor no combustible.
- Deje que la unidad se enfríe completamente antes de realizar la limpieza o el mantenimiento de rutina.
- Este producto estará caliente durante y después del uso. Utilice manoplas o guantes aislantes para horno para protegerse de las superficies calientes o de las salpicaduras de los líquidos que se estén cocinando.
- La grasa u otros líquidos dentro de la grasera estarán calientes después de utilizar este artefacto. Deje que la grasera se enfríe por completo antes de extraerla o desecharla. Si debe extraer la grasera antes de que esté completamente fría, utilice manoplas o guantes termorresistentes para extraerla o desecharla.
- Tenga precaución al abrir la puerta de la unidad durante el funcionamiento. Protéjase las manos, el rostro y el cuerpo del vapor caliente o de las llamaradas. **NO** inhale humo.
- **NO** use vestimentas sueltas mientras cocina en la unidad. Sujétese el cabello hacia atrás mientras cocina.
- **SIEMPRE** use calzado que le cubra completamente los pies mientras cocine en la unidad.
- **NUNCA** use vajilla de cristal ni utensilios de plástico o cerámica sobre la unidad ni dentro de ella. Use utensilios metálicos únicamente.
- El uso de accesorios que no estén diseñados para esta unidad no es recomendable y podría causar lesiones personales o daños materiales.

PROPOSICIÓN 65 DE CALIFORNIA

Los combustibles utilizados en los artefactos que queman madera y carbón, así como los productos de la combustión de esas sustancias, contienen productos químicos que, según el estado de California, pueden provocar cáncer, anomalías congénitas u otros daños reproductivos. Este producto contiene productos químicos, como plomo y compuestos de plomo, que, según el estado de California, pueden provocar cáncer, anomalías congénitas u otros daños reproductivos. ***Lávase las manos después de manipular estos productos.***






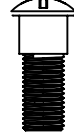
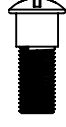

CONTENIDO DEL PAQUETE



PIEZA	DESCRIPCIÓN	CANTIDAD
A	Tapa	1
B	Indicador de temperatura	1
C	Regulador de tiro de la chimenea	1
D	Manija de la tapa	1
E	Chimenea	1
F	Junta de la chimenea	1
G	Estructura de la parrilla	1
H	Manija lateral	1
I	Soporte de la grasera	1
J	Pata izquierda: trasera	1
K	Estante inferior	1
L	Pata izquierda: frontal	1
M	Pata derecha: trasera	1

PIEZA	DESCRIPCIÓN	CANTIDAD
N	Pata derecha: frontal	1
O	Eje de las ruedas	1
P	Ruedas	2
Q	Soporte de ahumador lateral	1
R	Abrazadera del estante frontal: izquierda	1
S	Abrazadera del estante frontal: derecha	1
T	Estante frontal	1
U	Cerrojo de puerta de acceso lateral	1
V	Regulador de tiro lateral	1
W	Puerta de acceso lateral	1
X	Rejilla para carbón	2
Y	Rejilla para cocinar	3

HERRAMIENTAS Y TORNILLERÍA

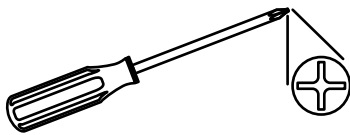
AA	BB	CC	DD	EE	FF	GG	HH
							
Perno M6 x 12	Tuerca M6	Arandela plana M6	Tuerca M12	Contratuerca M6	Perno M6 x 14	Perno M5 x 13	Tuerca M5
Cant. 31	Cant. 28	Cant. 16	Cant. 2	Cant. 1	Cant. 1	Cant. 1	Cant. 1

PREPARACIÓN

Antes de comenzar a ensamblar el producto, asegúrese de tener todas las piezas. Compare las piezas con la lista del contenido del paquete, y con las herramientas y tornillería que figuran más arriba. No intente ensamblar el producto si falta una pieza o hay una pieza dañada. Comuníquese con el servicio de atención al cliente para obtener las piezas de repuesto.

Tiempo estimado para el ensamblaje: 30 minutos

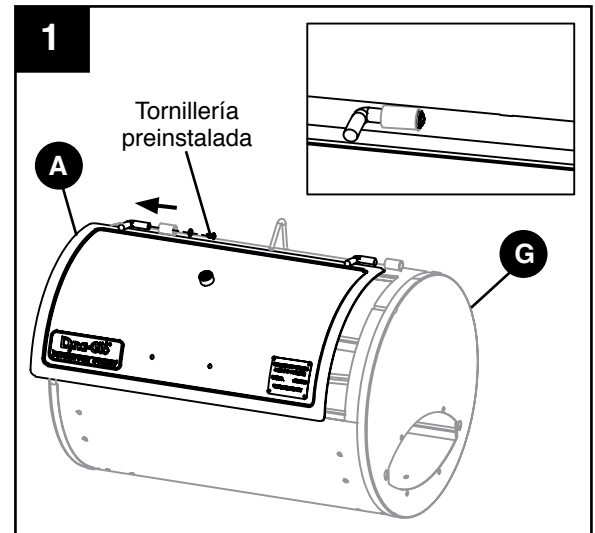
Herramientas requeridas para el ensamblaje (no incluidas): destornillador Phillips, llave ajustable



INSTRUCCIONES DE ENSAMBLAJE

⚠ PRECAUCIÓN: Esta unidad es PESADA. No intente manipular esta unidad sin ayuda.

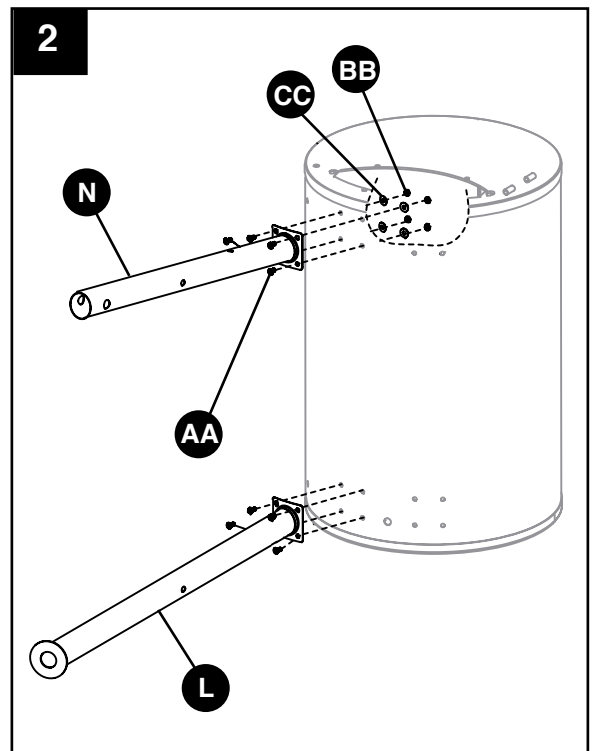
1. Quite el perno y la arandela preinstalados de la bisagra izquierda de la estructura de la parrilla (G) y deslice la tapa (A) hacia afuera de las bisagras de la estructura de la parrilla.



2. Fije la pata frontal izquierda (L) y la pata frontal derecha (N) utilizando cuatro pernos M6 x 12 (AA), cuatro tuercas M6 (BB) y cuatro arandelas planas M6 (CC) en cada pata.

Herramientas y tornillería utilizadas



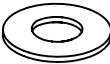
AA	Perno M6 x 12 mm		x 8
BB	Tuerca M6		x 8
CC	Arandela plana M6		x 8

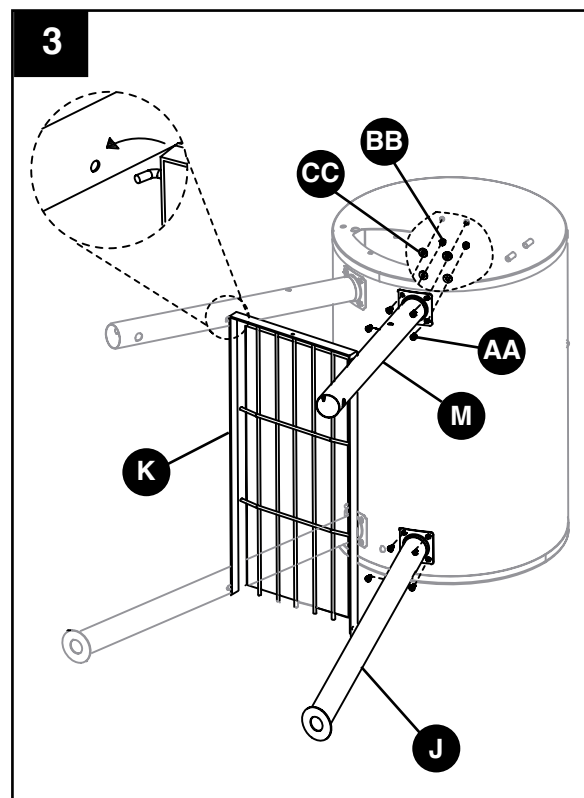


INSTRUCCIONES DE ENSAMBLAJE

3. Antes de colocar las patas traseras, inserte los pasantes del estante inferior (K) en los orificios ubicados en las cuatro patas. Con el estante inferior (K) colocado firmemente en su lugar, fije la pata trasera izquierda (J) y la pata trasera derecha (M) utilizando cuatro pernos M6 x 12 (AA), cuatro tuercas M6 (BB) y cuatro arandelas planas M6 (CC) en cada pata.

Herramientas y tornillería utilizadas

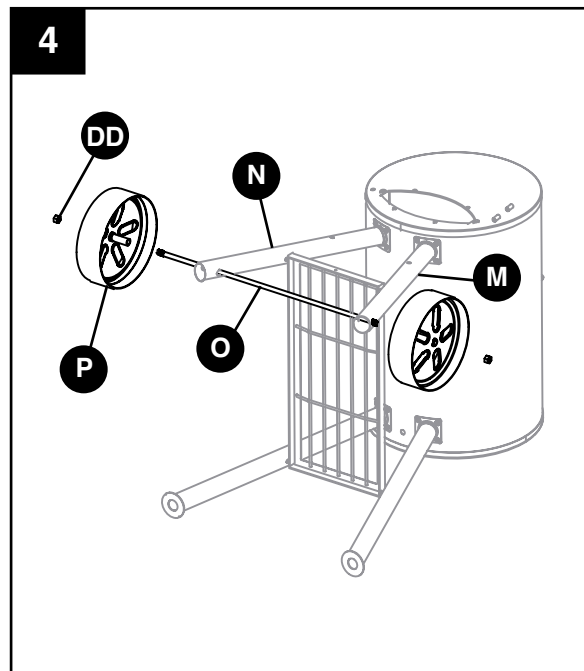
AA	Perno M6 x 12 mm		x 8
BB	Tuerca M6		x 8
CC	Arandela plana M6		x 8



4. Inserte el eje de las ruedas (O) en los orificios de la pata frontal derecha (N) y la pata trasera derecha (M) y fije las ruedas izquierda y derecha (P) utilizando una tuerca M12 (DD) en cada lado.

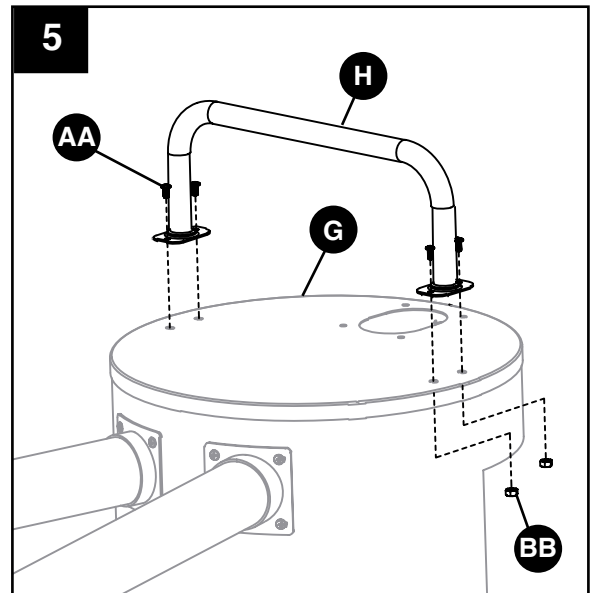
Herramientas y tornillería utilizadas

DD	Tuerca M12		x 2
-----------	------------	---	-----





INSTRUCCIONES DE ENSAMBLAJE

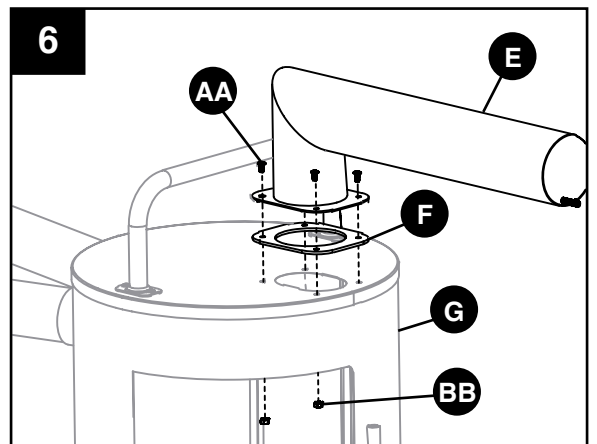
5. Instale la manija lateral (H) en el lado izquierdo de la estructura de la parrilla (G) utilizando cuatro pernos M6 x 12 (AA) y cuatro tuercas M6 (BB).



Herramientas y tornillería utilizadas

AA	Perno M6 x 12 mm		x 4
BB	Tuerca M6		x 4

6. Coloque la junta de la chimenea (F) entre la estructura de la parrilla (G) y la chimenea (E), y fijela utilizando cuatro pernos M6 x 12 (AA) y cuatro tuercas M6 (BB).

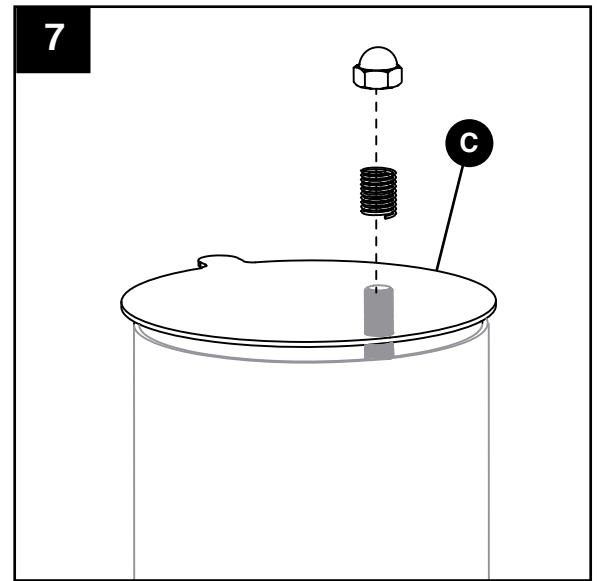


Herramientas y tornillería utilizadas

AA	Perno M6 x 12 mm		x 4
BB	Tuerca M6		x 4

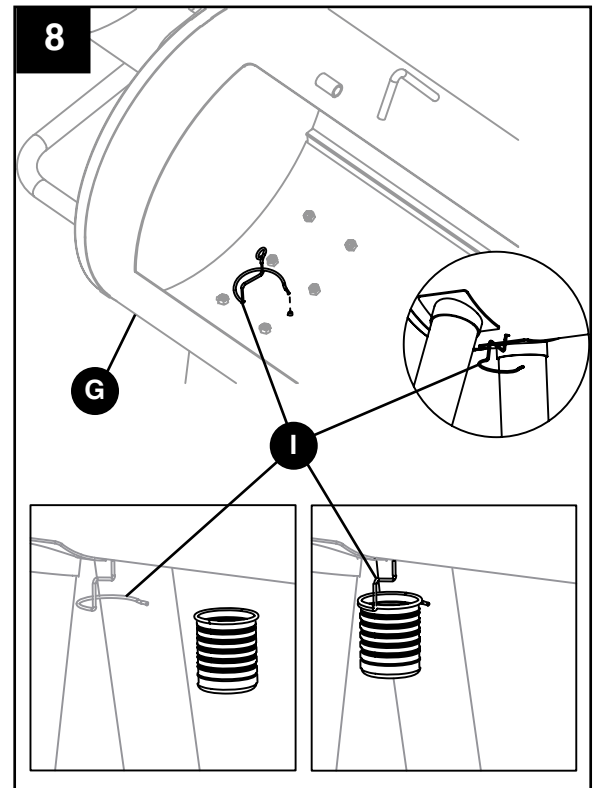
INSTRUCCIONES DE ENSAMBLAJE

7. Coloque el regulador de tiro de la chimenea (C) utilizando el resorte y la tuerca preinstalados.



8. Inserte el extremo del soporte de la grasera (I) en el orificio ubicado en la parte inferior de la estructura del ahumador (G). Enrosque el soporte en el orificio hasta que quede colgando como se muestra.



Nota: Esta parrilla no incluye un contenedor para recolectar grasa o líquidos del interior de la estructura del ahumador. Utilice una lata de aluminio desechada de un diámetro mínimo de 2 1/4" (58 mm) y deslice el extremo superior de la lata en el soporte de la grasera (I), como se muestra. Consulte la página 3 para saber cómo desechar la lata luego del uso.

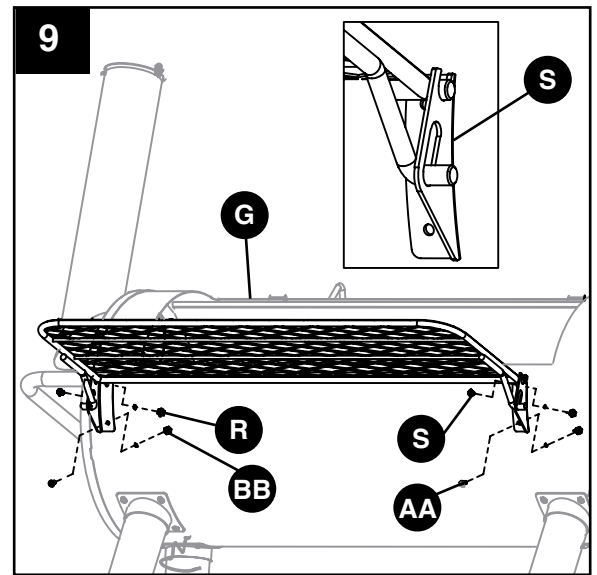


INSTRUCCIONES DE ENSAMBLAJE

9. Fije la abrazadera derecha del estante (S) a la estructura de la parrilla (G) utilizando dos pernos M6 x 12 (AA) y dos tuercas M6 (BB), e inserte el soporte del estante en la abrazadera, como se muestra. Inserte los soportes del estante en la abrazadera izquierda del estante (R), antes de fijar la abrazadera con dos pernos M6 x 12 (AA) y dos tuercas M6 (BB).

Herramientas y tornillería utilizadas

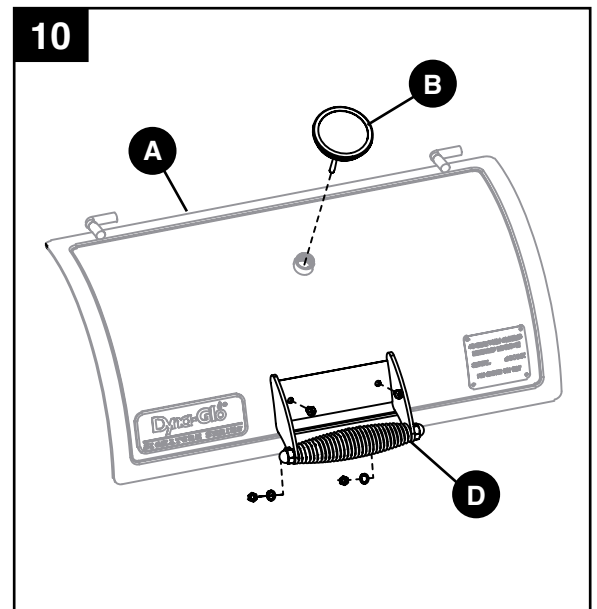
AA	Perno M6 x 12 mm		x 4
BB	Tuerca M6		x 4



10. Coloque el indicador de temperatura (B) insertando la sonda térmica en el orificio roscado de la tapa (A) y girando en el sentido de las agujas del reloj. No quite la tuerca preinstalada antes de colocar el indicador de temperatura.

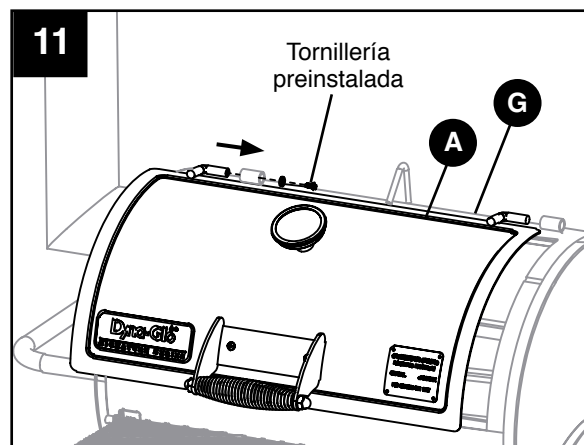
NOTA: La alineación del indicador de temperatura se puede ajustar girando la tuerca preinstalada en el sentido de las agujas del reloj (o en sentido contrario) antes de instalar.

Fije la manija de la tapa (D) a la tapa (A) mediante dos pernos, tuercas y arandelas planas preinstalados.



INSTRUCCIONES DE ENSAMBLAJE

11. Fije el conjunto de la tapa (A) a las bisagras de la estructura de la parrilla (G) utilizando el perno y la arandela preinstalados.

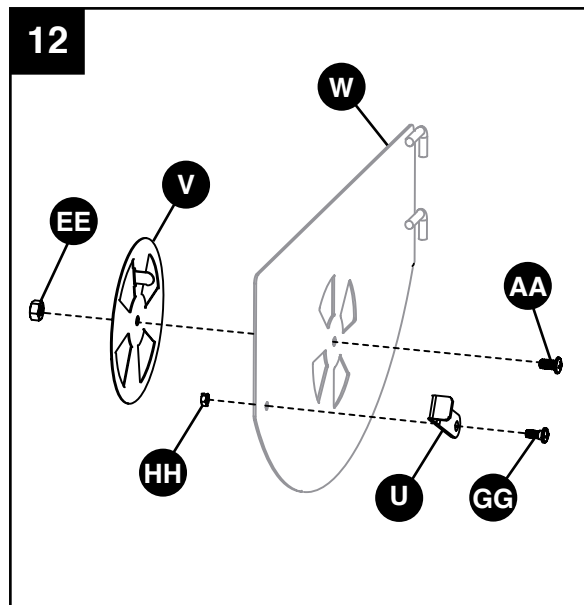


12. Fije el plato regulador de tiro lateral (V) a la parte interior de la puerta de acceso (W) utilizando un perno M6 x 12 (AA) y una contratuerca M6 (EE).

Fije el cerrojo de la puerta (U) a la parte exterior de la puerta de acceso (W) utilizando un perno M5 x 12 (GG) y una tuerca M5 (HH).

Herramientas y tornillería utilizadas

AA	Perno M6 x 12 mm		x 1
EE	Contratuerca M6		x 1
GG	Perno M5 x 13 mm		x 1
HH	Tuerca M5		x 1




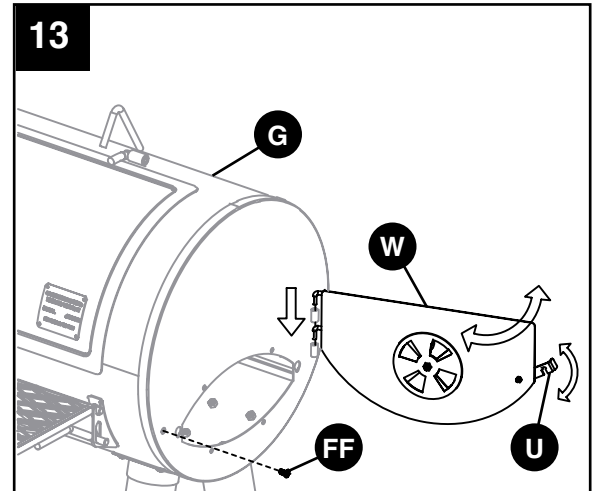
INSTRUCCIONES DE ENSAMBLAJE

13. Atornille un perno de tope M6 x 14 (FF) en la estructura de la parrilla (G). Fije la puerta de acceso (W) a la estructura de la parrilla (G) deslizando las varillas de la bisagra dentro de las aberturas de la bisagra en la estructura de la parrilla (G).

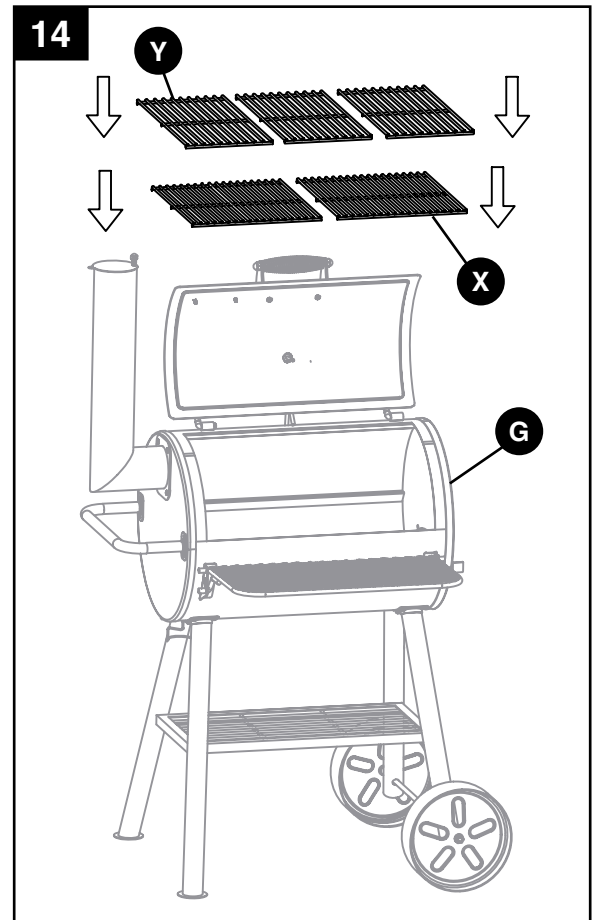
Cierre el cerrojo de la puerta de acceso (W) haciendo girar el cerrojo de la puerta (U) en el perno M6 x 14 de la estructura de la parrilla (G).

Herramientas y tornillería utilizadas

FF Perno M6 x 12 mm  x 1



14. Coloque las rejillas para carbón (X) en los carriles de soporte inferiores dentro de la estructura de la parrilla (G). Coloque las rejillas para cocinar (Y) en los carriles de soporte superiores dentro de la estructura de la parrilla (G).

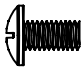


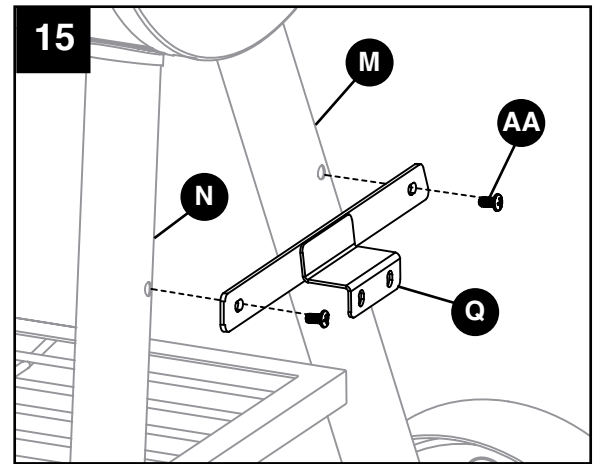
INSTRUCCIONES DE ENSAMBLAJE

15. Fije la abrazadera de soporte del conjunto lateral (Q) a la pata frontal (N) y la pata trasera (M) utilizando dos pernos M6 × 12 (AA).

Nota: Esta abrazadera se utiliza para sostener el ahumador Dyna-Glo modelo DGSS287CB-D (se vende por separado).

Herramientas y tornillería utilizadas

AA Perno
M6 × 12 mm  × 2



INSTRUCCIONES DE FUNCIONAMIENTO

ANTES DE UTILIZAR LA UNIDAD POR PRIMERA VEZ

Quite todas las presillas o las fajas de plástico, si están presentes.

Es importante "curar" la parrilla antes de cocinar alimentos. Este proceso sella la pintura y el interior del ahumador para mejorar el sabor, la durabilidad y el rendimiento en general. Para curar la parrilla, simplemente utilícela como lo haría normalmente, pero sin agregar alimentos. Deberá seguir los procedimientos de encendido y funcionamiento de las secciones siguientes de este manual.

Cómo curar la parrilla

Utilizando la cantidad de carbón recomendada (que figura debajo), haga funcionar la parrilla durante 30 a 45 minutos como mínimo.

Instrucciones de encendido

Comience con al menos 4 lb (1,8 kg) de carbón (75 briquetas estándar).

Realice los ajustes necesarios cuando cocina en climas fríos, cuando hay mucho viento y/o cuando hay una cantidad considerable de precipitaciones.

Paso 1


Nota: Consulte la cantidad de líquido para encender carbón recomendada por el fabricante antes de aplicar el líquido a las briquetas. Se puede agregar carbón a la parrilla quitando las rejillas para cocinar. Apile el carbón en el medio de la rejilla para carbón. Las briquetas deben estar apiladas muy juntas para que se quemen con la máxima eficiencia. Empape el carbón con la cantidad de líquido para encender carbón recomendada por el fabricante del líquido. Luego de empapar el carbón, coloque el líquido para encender carbón a una distancia segura de la parrilla. Deje que el líquido penetre en el carbón durante 3 minutos antes de encender.


Paso 2

Con la tapa abierta, aléjese de la unidad, encienda cuidadosamente el carbón y deje que se queme hasta que quede cubierto de ceniza encendida (aproximadamente 20 minutos). Antes de cerrar la tapa, debe dejar que el líquido para encender carbón se haya quemado completamente. (Si las dos tapas se cierran, el humo tenderá a acumularse en ambas cámaras de combustión).

Paso 3

Después de 20 a 25 minutos, el carbón estará listo para asar. Utilice guantes termorresistentes o manoplas para horno al colocar nuevamente las rejillas para cocinar en la parrilla. Consulte la sección siguiente antes de agregar viruta de madera al carbón preencendido.

 **ADVERTENCIA:** Tenga precaución para evitar que se genere una llamarada cuando el aire fresco entre en contacto con el fuego. Al abrir la puerta, mantenga las manos, el rostro y el cuerpo a una distancia prudente del vapor caliente y las llamas.

 **ADVERTENCIA:** Nunca agregue líquido para encender carbón a las brasas calientes, ni siquiera a las brasas templadas, porque el retroceso de la llama podría causar quemaduras graves.

Permita que las cenizas se enfríen completamente antes de volver a utilizar o limpiar la parrilla o el ahumador.

CUIDADO Y MANTENIMIENTO

SEGURIDAD Y MANTENIMIENTO DESPUÉS DEL USO

ADVERTENCIA

- Tenga precaución al levantar y mover la unidad para evitar lesiones por esfuerzo. Se recomienda levantar o mover la unidad entre dos personas.
- **NO** guarde la unidad cerca de gasolina u otros líquidos combustibles o donde podría haber vapores combustibles. Asegúrese de que no haya materiales ni vapores combustibles en el área donde se encuentra el artefacto.
- **NO** guarde este artefacto en un área a la que podrían acceder niños o mascotas. Guarde el artefacto en un lugar seco y protegido.
- **NO** deje que nadie realice actividades cerca del artefacto después de haberlo utilizado sin que se haya enfriado. Se calienta durante el uso y permanece caliente por un tiempo después del uso.
- **NO** deje desatendidas las cenizas calientes hasta que el artefacto se enfríe completamente.
- La parrilla se calienta mucho; deje que se enfríe completamente antes de manipularla. Deje que la parrilla se enfríe antes de extraer y limpiar la grasera.
- Deseche las cenizas **frías** envolviéndolas en una hoja de aluminio resistente y colocándolas en un contenedor no combustible.
- Si debe desechar las cenizas antes de que estén completamente frías, quite las cenizas utilizando guantes termorresistentes y una pala para cenizas Dyna Glo (si la unidad está equipada con una), pinza de metal o pala para hogar. Coloque las cenizas en una hoja de aluminio. Moje las cenizas por completo con agua antes de desecharlas en un contenedor no combustible.

PRECAUCIÓN: Todos los procedimientos de cuidado y mantenimiento se realizarán con la unidad completamente fría.

Limpie las rejillas para cocinar con agua caliente y jabonosa. Enjuague y seque bien. Si lo desea, puede cubrir las rejillas para cocinar con una pequeña capa de aceite comestible líquido o en aerosol.

Para limpiar el interior y el exterior de la estructura de la parrilla, utilice solo un paño húmedo. No es recomendable realizar un lavado por aspersion con manguera. Se debe secar la humedad y asegurarse de que el interior y la parte superior de la unidad no queden húmedos. Luego de la limpieza, si lo desea, puede cubrir el interior de la estructura de la parrilla con una pequeña capa de aceite comestible líquido o en aerosol.

Si hay óxido en la superficie exterior de la unidad, limpie el área con lana de acero o tela de esmeril y utilice una pintura sólida resistente al calor.

NUNCA aplique pintura adicional en el interior de la unidad. Si hay óxido en el interior de la parrilla, límpielo bien con una estopa metálica o tela de esmeril y cubra el área con una pequeña capa de aceite comestible líquido o en aerosol para minimizar la posibilidad de que se vuelva a oxidar.

Para proteger la unidad de las condiciones climáticas, manténgala siempre cubierta cuando no esté en uso.

GARANTÍA

Esta parrilla a carbón está garantizada contra piezas rotas o dañadas en el momento de la compra. Todas las piezas tienen una garantía limitada por un (1) año. La pintura tiene una garantía contra defectos por 90 días, a excepción del óxido, que podría aparecer después de varios usos.

Esta garantía no cubre daños o problemas relacionados con la negligencia, el uso indebido o modificaciones realizadas al artefacto. El trabajo de reparación no está cubierto.

Todas las piezas que cumplan con los requisitos de la garantía serán enviadas sin cargo a través de un medio seleccionado por GHP Group Inc. (envíos terrestres, correo de EE. UU. o servicio de encomiendas ÚNICAMENTE). Los cargos de entrega especial (es decir, entrega de segundo día, antes del mediodía, etc.) serán responsabilidad del consumidor.

Todos los reclamos bajo la garantía solo se aplican al comprador original y requieren una prueba de la compra que verifique la fecha de compra. No devuelva piezas a la dirección de GHP sin antes obtener el número de autorización de devolución emitido por nuestro servicio al cliente. Este servicio está disponible a través del número gratuito 1-877-447-4768, de lunes a viernes de 8:30 a 16:30 (hora central estándar).

Algunos estados no permiten la exclusión o limitación de daños incidentales o daños indirectos por el tiempo que dura una garantía implícita. Por lo tanto, es posible que las limitaciones o exclusiones mencionadas no se apliquen en su caso. Esta garantía otorga derechos legales específicos, y podría haber otros derechos aplicables según el estado.

GHP Group Inc.
6440 W. Howard Street
Niles, IL, EE. UU.
60714-3302

Nombre del artículo: Resistente parrilla de tambor compacto a carbón
N.º de modelo: DGSS443CB / DGSS443CB-D

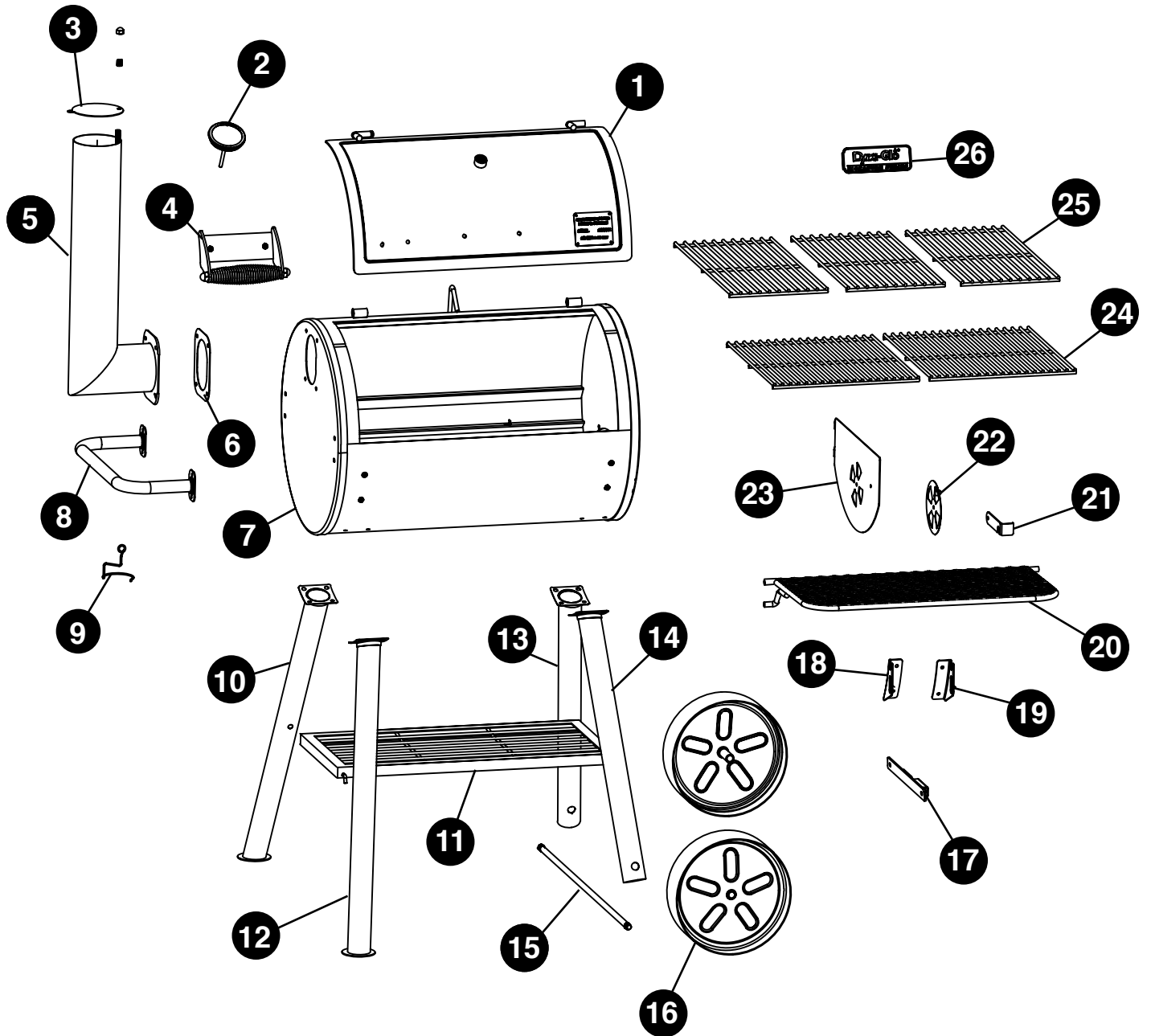
LISTA DE PIEZAS DE REPUESTO

Para obtener piezas de repuesto, llame a nuestro Departamento de Atención al Cliente al 1-877-447-4768, de lunes a viernes de 8:30 a 16:30 (hora central estándar), o escriba a customerservice@ghpgroupinc.com.

PIEZA	DESCRIPCIÓN	N.º DE PIEZA
1	Conjunto de la tapa (sin Placa Dyna Glo ni indicador de temperatura)	70-01-545
2	Indicador de temperatura	70-01-518
3	Regulador de tiro de la chimenea	70-01-522
4	Manija de la tapa	70-01-584
5	Chimenea	70-01-548
6	Junta de la chimenea	70-01-549
7	Estructura de la parrilla (sin conjunto de la puerta)	70-01-558
8	Manija lateral: parrilla	70-01-550
9	Soporte de la grasera	70-01-554
10	Pata izquierda: trasera	70-01-585
11	Estante inferior	70-01-595
12	Pata izquierda: frontal	70-01-586
13	Para derecha: trasera	70-01-587
14	Pata derecha: frontal	70-01-588

PIEZA	DESCRIPCIÓN	N.º DE PIEZA
15	Eje de las ruedas	70-01-596
16	Rueda: izquierda/derecha (1 pieza)	70-01-516
17	Soporte de ahumador lateral	70-01-589
18	Abrazadera del estante frontal: izquierda	70-01-559
19	Abrazadera del estante frontal: derecha	70-01-566
20	Estante frontal	70-01-597
21	Cerrojo de puerta de acceso lateral	70-01-592
22	Plato regulador de tiro lateral	70-01-593
23	Puerta de acceso lateral	70-01-594
24	Rejilla para carbón (1 pieza)	70-01-547
25	Rejilla para cocinar (1 pieza)	70-01-598
26	Placa Dyna Glo	70-01-562
n/a	Manual de instrucciones	70-10-596
n/a	Paquete de herramientas y tornillería	70-09-520

LISTA DE PIEZAS DE REPUESTO



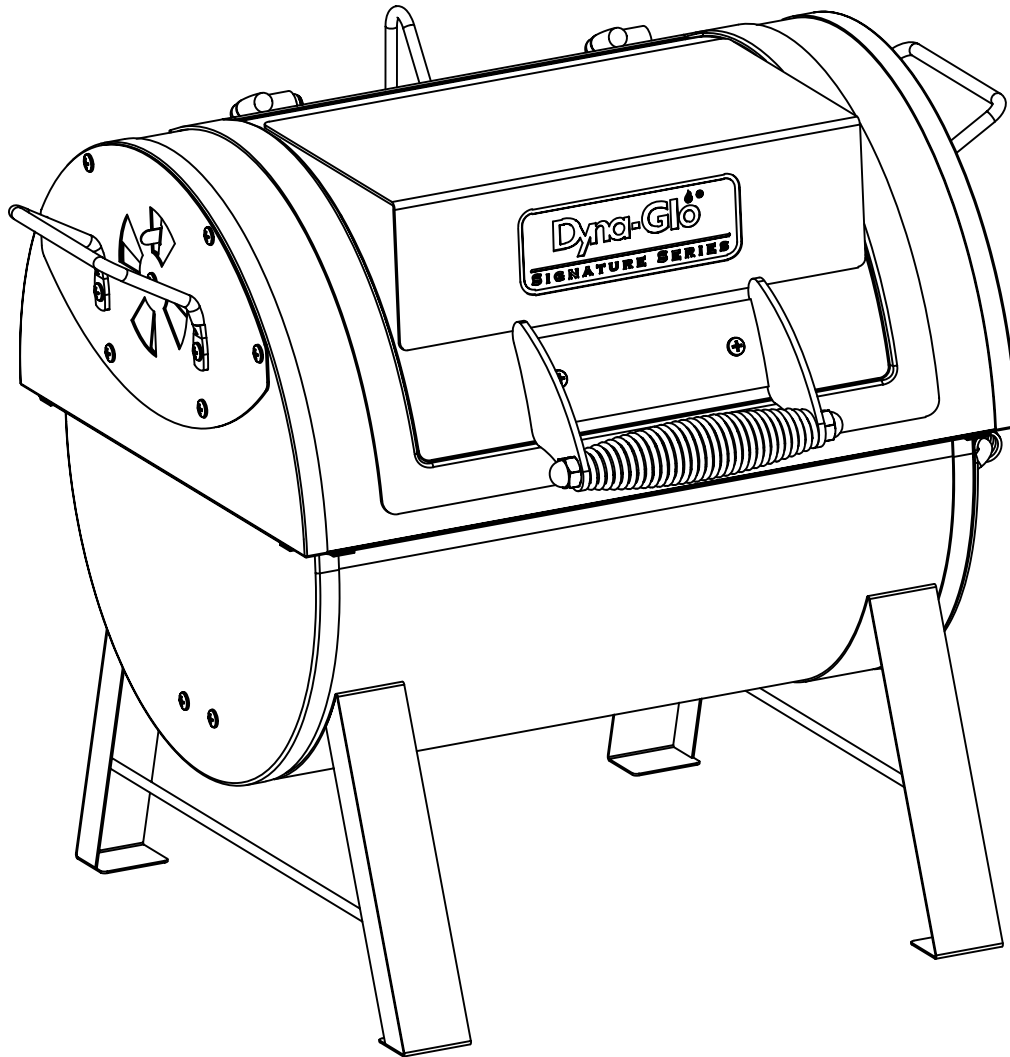


Heavy-Duty Charcoal Grill & Offset Smoker Box

MODEL #DGSS287CB-D /
DGSS287CB

Français p. 24

Español p. 47



ATTACH YOUR RECEIPT HERE

Serial Number _____ Purchase Date _____




Questions, problems, missing parts? Before returning to your retailer, call our customer service department at 1-877-447-4768, 8:30 a.m. – 4:30 p.m. CST, Monday – Friday or log on to customerservice@ghpgroupinc.com.

TABLE OF CONTENTS

Safety Information	2
Package Contents	4
Hardware Contents	5
Preparation	5
Assembly Instructions	6
Operation Instructions	16
Tips On Smoking	19
Care and Maintenance	21
Warranty	22
Replacement Parts List	23

SAFETY INFORMATION

Please read and understand this entire manual before attempting to assemble, operate, or install the product. If you have any questions regarding the product, call our customer service department at 1-877-447-4768, 8:30 a.m.- 4:30 p.m. CST, Monday - Friday or log on to customerservice@ghpgroupinc.com.

-  Use caution when lifting and moving the unit to avoid back strain or back injury. Do not move the unit while it is in use.
- **DO NOT** operate the unit near or under flammable or combustible materials such as decks, porches, or carports.
 - A minimum clearance to combustible construction is 36 in. (91.4 cm) from sides and back.
 - **DO NOT** operate the unit under overhead construction.
 - **DO NOT** use this smoker and grill as a heater.
 - Operate the unit on a stable, level, noncombustible surface such as asphalt, concrete, or solid ground.
 - **DO NOT** operate the unit on flammable material such as carpet or wood deck.
 - Use caution when assembling and operating this unit, to avoid cuts and scrapes from edges.

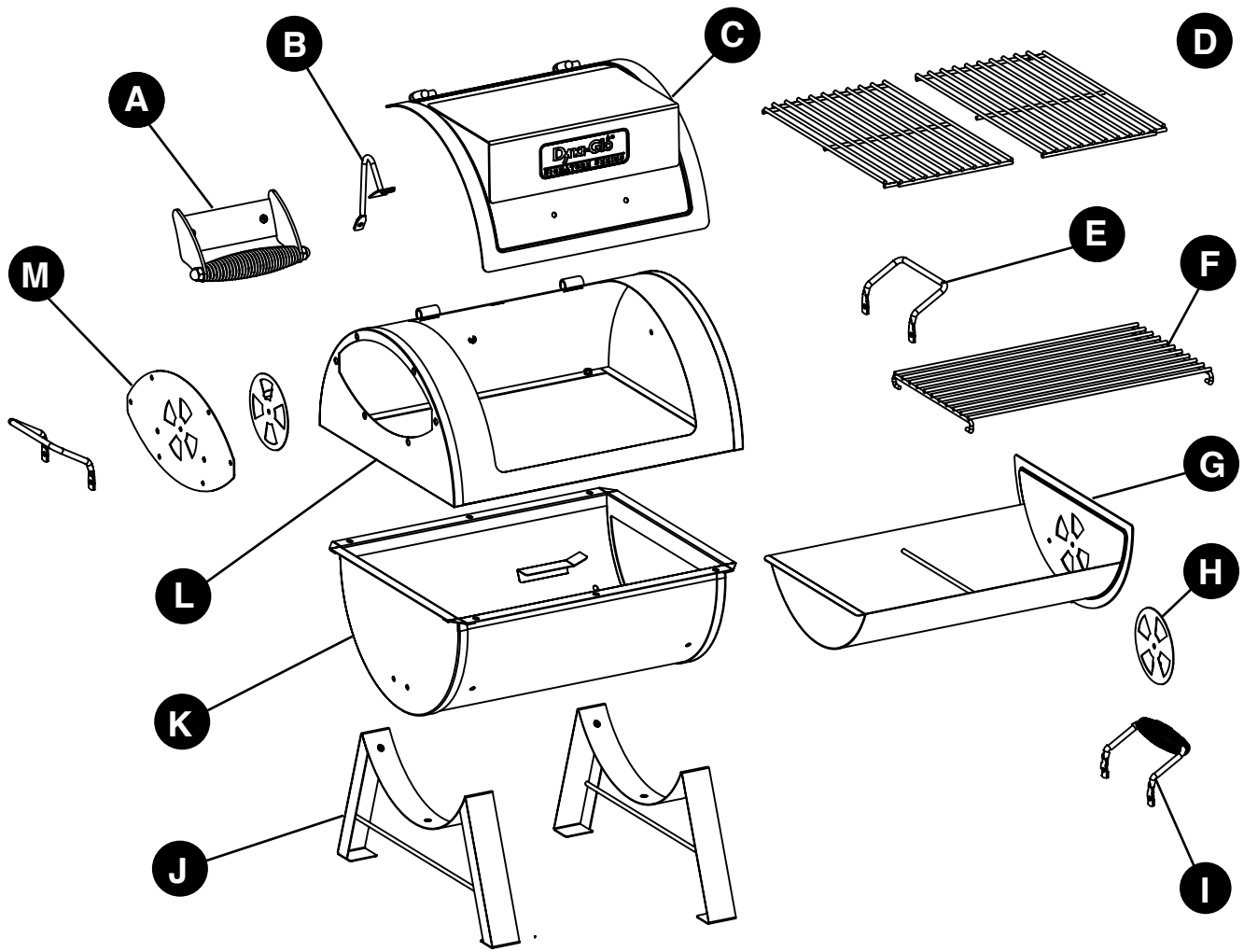
SAFETY INFORMATION

- **DO NOT** use this product in a manner other than its intended purpose. It is NOT intended for commercial use. It is NOT intended to be installed or used in or on a recreational vehicle and/or boats.
- **DO NOT** store this unit near gasoline or other combustible liquids or where other combustible vapors may be present.
- **DO NOT** use or store or operate this unit in an area accessible to children or pets. Store this unit in a dry protected location.
- **DO NOT** leave the unit unattended while in use.
- **DO NOT** leave hot ashes unattended, until the unit cools completely.
- **DO NOT** move the unit while in use, or while ashes are still hot. Allow the unit to cool completely before moving or storing.
- **NEVER** use gasoline, kerosene, Zippo/Ronson lighter fluid, or other highly volatile fluids as a starter.
- Always cook your food on the grate after the flame is burned out.
- Dispose of cold ashes by wrapping them in heavy-duty aluminum foil and placing in a noncombustible container. Make sure that there are no other combustible materials in or near the container.
- If you must dispose of ashes in less time than it takes for the ashes to completely cool down, remove the ashes from the unit using heat-resistant gloves along with long metal tongs or fireplace shovel. Place the coals in aluminum foil and soak them completely with water before disposing of them in a noncombustible container.
- Allow the unit to cool completely before conducting any routine cleaning or maintenance.
- This product will be hot during and after use. Use insulated oven mitts, or gloves, for protection from hot surfaces or splatter from cooking liquids.
- Use caution when opening the lid of the unit while in operation. Keep hands, face and body safe from hot steam or flare-ups. **DO NOT** inhale smoke.
- **DO NOT** wear loose clothing while operating the unit. Tie back long hair while operating the unit.
- **ALWAYS** wear shoes that fully cover your feet while operating the unit.
- **NEVER** use glassware, plastic or ceramic cookware on or in the unit. Use metallic cookware only.
- Use of accessories not intended for this unit is not recommended and may lead to injury or property damage.

CALIFORNIA PROPOSITION 65

Fuels used in wood and charcoal burning appliances and the products of combustion of such fuels contain chemicals known to the State of California to cause cancer, birth defects or other reproductive harm. This product contains chemicals, including lead and lead compounds, known to the State of California to cause cancer, birth defects or other reproductive harm. ***Wash hands after handling.***

PACKAGE CONTENTS



PART	DESCRIPTION	QUANTITY
A	Lid Handle	1
B	Lid Bracket	1
C	Lid	1
D	Cooking Grate	2
E	Side Handle - Left / Right	2
F	Charcoal Grate	1
G	Access Tray	1
H	Damper Plate - Tray and Firebox	2
I	Access Tray Handle	1
J	Leg Assembly - Left / Right	2
K	Firebox Bottom Section	1
L	Firebox Top Section	1
M	Firebox Adapter Plate	1

HARDWARE CONTENTS

AA

BB

CC



M6 x 12
Bolt

M6 Nut

M6 Lock Nut

Qty. 29

Qty. 9

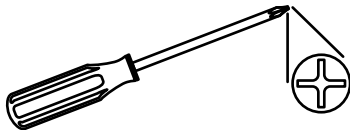
Qty. 2

PREPARATION

Before beginning assembly of product, make sure all parts are present. Compare parts with package contents list and hardware contents above. If any part is missing or damaged, do not attempt to assemble the product. Contact customer service for replacement parts.

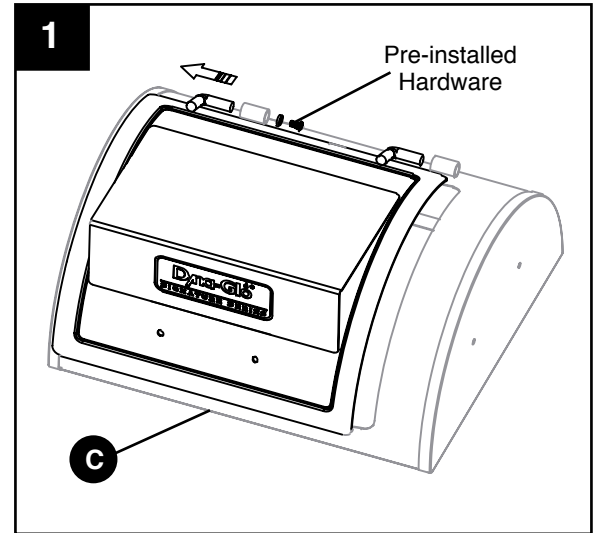
Estimated Assembly Time: 30 minutes

Tools Required for Assembly (not included): Phillips Screwdriver, Adjustable Wrench

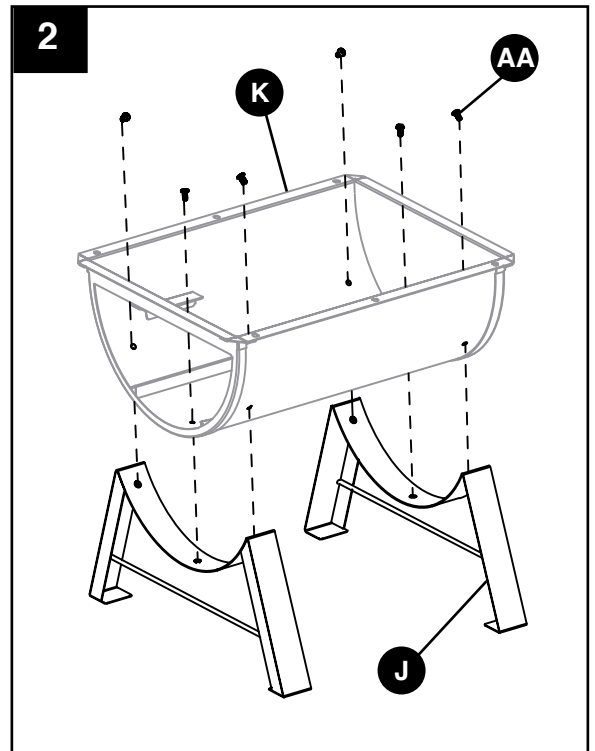


ASSEMBLY INSTRUCTIONS


1. Remove the pre-installed bolt and washer from the left lid hinge and slide the lid (C) off the hinges.



2. Attach the left and right leg assembly (J) to the bottom section of the firebox (K) using three M6 x 12 bolts (AA) per leg.



Hardware Used

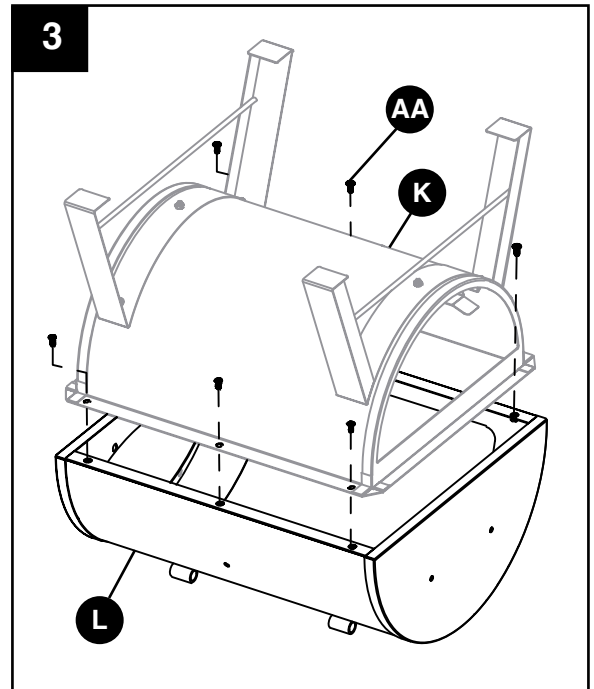
AA M6 x 12mm Bolt  x 6

ASSEMBLY INSTRUCTIONS

3. Attach bottom section of the firebox (K) to the top section (L) using six M6x12 bolts (AA).

Hardware Used

AA M6 x 12mm Bolt x 6

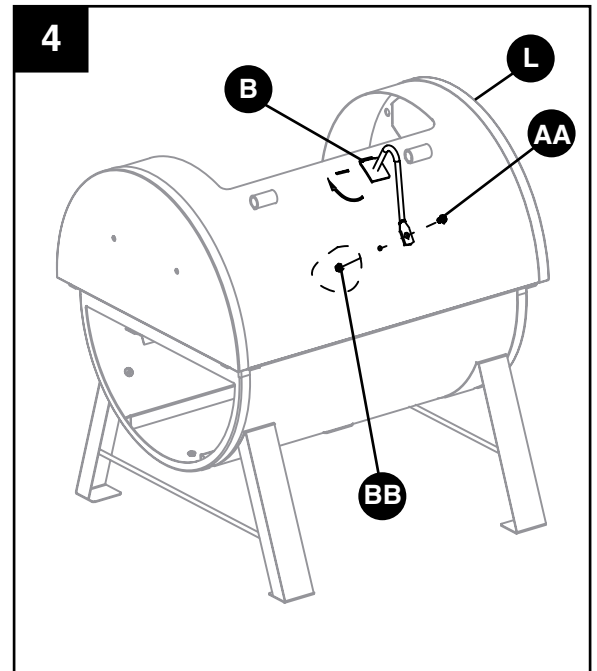


4. Insert the edge of the lid bracket (B) into the slotted opening on the top section of the firebox (L). Attach using one M6 x 12 bolt (AA) and one M6 nut (BB).

Hardware Used

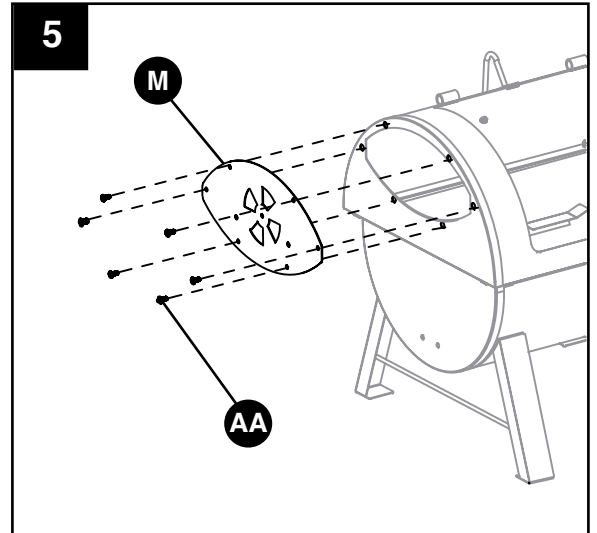
AA M6 x 12mm Bolt x 1

BB M6 Nut x 1




ASSEMBLY INSTRUCTIONS

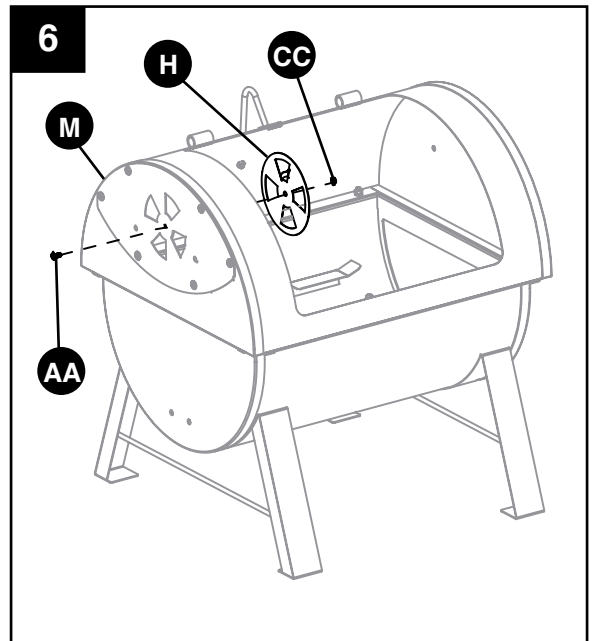
5. Attach the firebox adapter plate (M) using six M6 x 12 bolts (AA).





Hardware Used

AA	M6 x 12mm Bolt		x 6
-----------	----------------	---	-----

6. Attach the damper plate (H) to the inside of the adapter plate (M) using one M6 x 12 bolt (AA) and one M6 lock nut (CC).



Hardware Used

AA	M6 x 12mm Bolt		x 1
CC	M6 Nut Lock		x 1

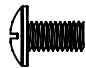

ASSEMBLY INSTRUCTIONS

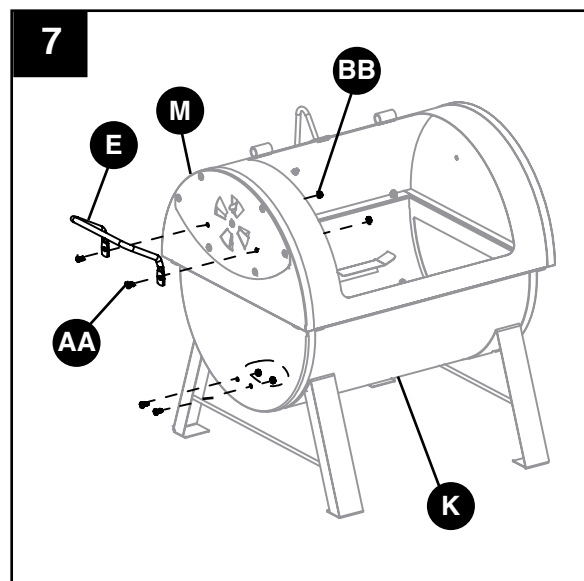
7. Attach the side handle (E) to the adapter plate (M) using two M6 x 12 bolts (AA) and two M6 nuts (BB).

Use two M6 x12 bolts (AA) and two M6 nuts (BB) for filling the two holes on the bottom section of the firebox (K).

Note: This grill is also compatible as an offset smoker box. The bottom holes are pre-drilled for use with a support bracket (not included). For more information on using this grill as an offset smoker box, see Page 13.

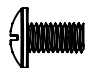

Hardware Used

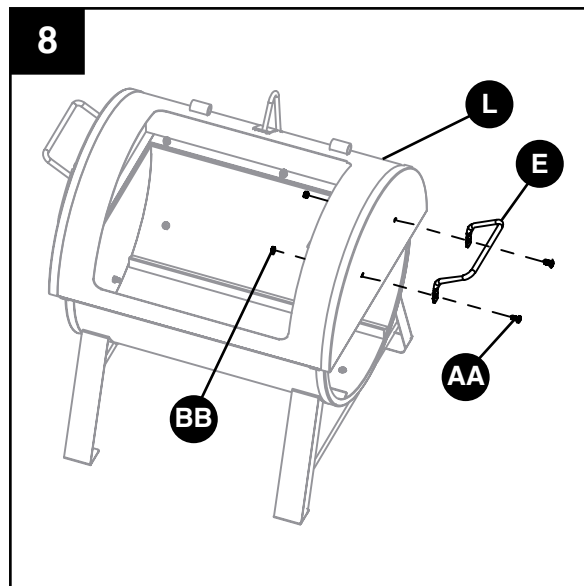
AA	M6 x 12mm Bolt		x 4
BB	M6 Nut		x 4



8. Attach the other side handle (E) to the top section of the firebox (L) using two M6 x 12 bolts (AA) and two M6 nuts (BB).

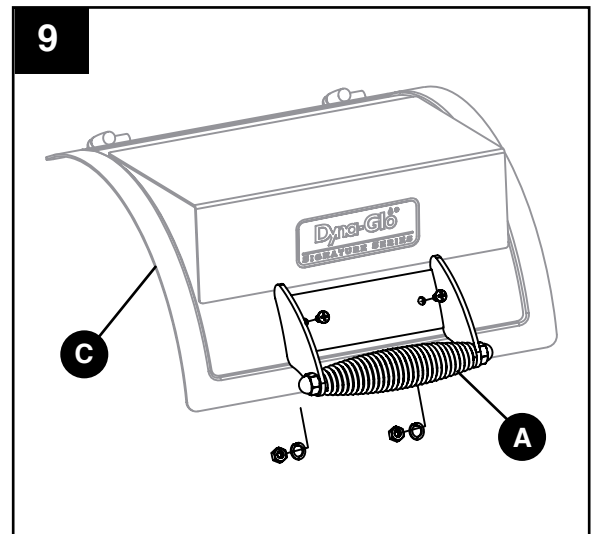
Hardware Used

AA	M6 x 12mm Bolt		x 2
BB	M6 Nut		x 2

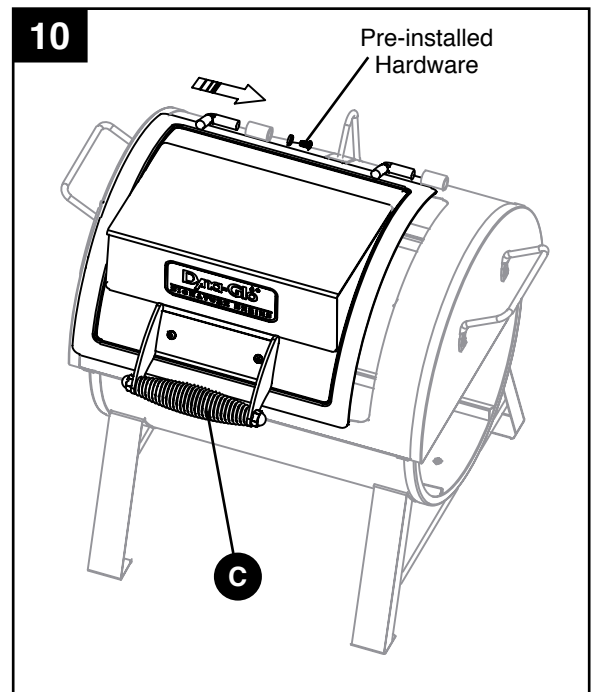


ASSEMBLY INSTRUCTIONS

9. Attach the lid handle (A) to the lid (C) using the pre-installed bolts, washers and nuts.





10. Re-attach the lid (C) using the pre-installed washer and bolt.

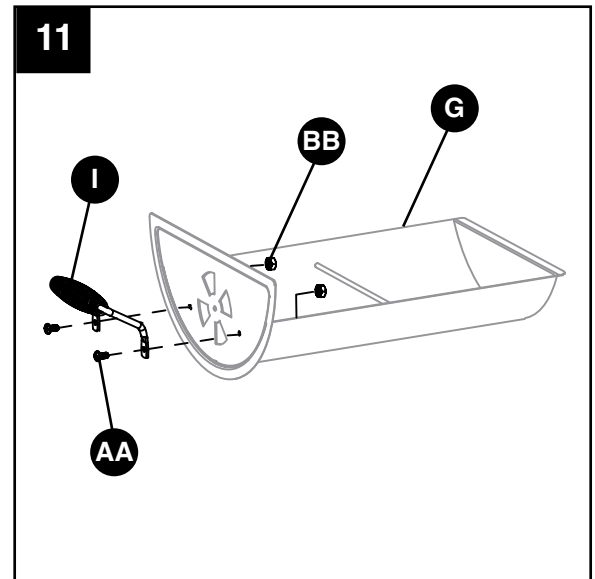


ASSEMBLY INSTRUCTIONS

11. Attach the access tray handle (I) to the access tray (G) using two M6 x 12 bolts (AA) and two M6 nuts (BB).



Hardware Used

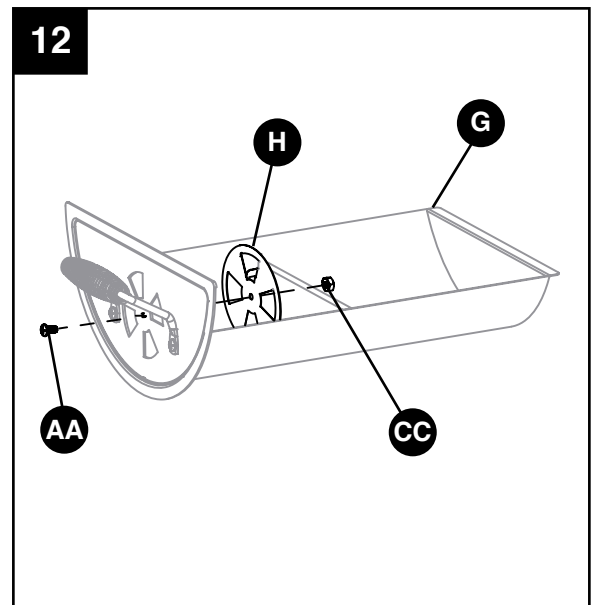
AA	M6 x 12mm Bolt		x 2
BB	M6 Nut		x 2



12. Attach the damper plate (H) to the inside of the access tray (G) using one M6 x 12 bolt (AA) and one M6 lock nut (CC).

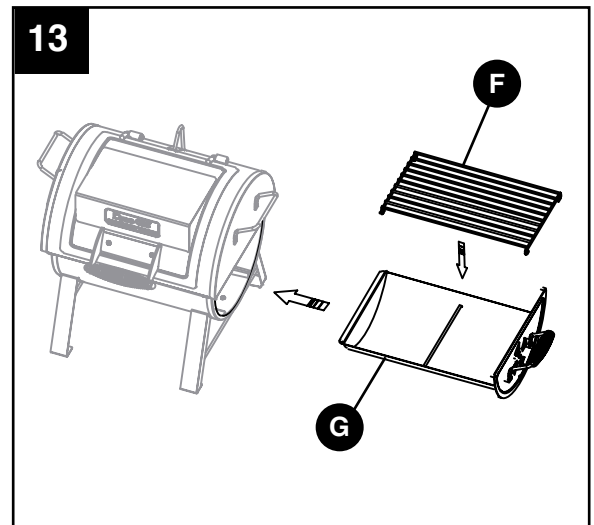
Hardware Used

AA	M6 x 12mm Bolt		x 1
CC	M6 Lock Nut		x 1

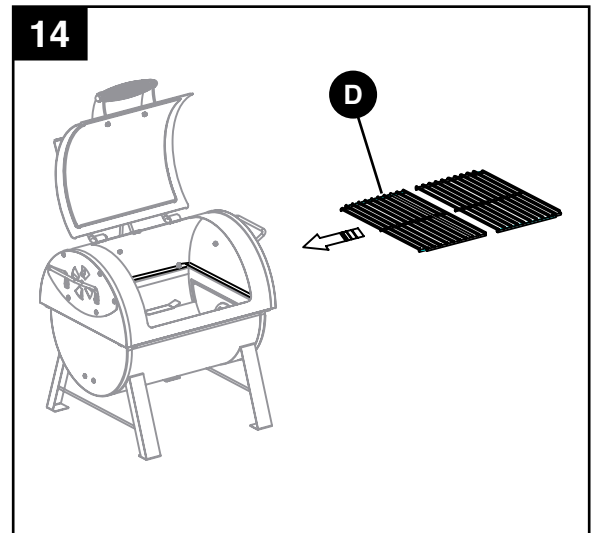


ASSEMBLY INSTRUCTIONS

13. Place the charcoal grate (F) inside the access tray (G) and slide the tray into the offset smoker box.



14. Place the cooking grates (D) on the top rail of the firebox.



ASSEMBLY INSTRUCTIONS

Using the Firebox as an Offset Smoker (Optional).

This grill is also compatible as an offset smoker box for Dyna Glo grill models DGSS675CB-D and DGSS443CB-D.

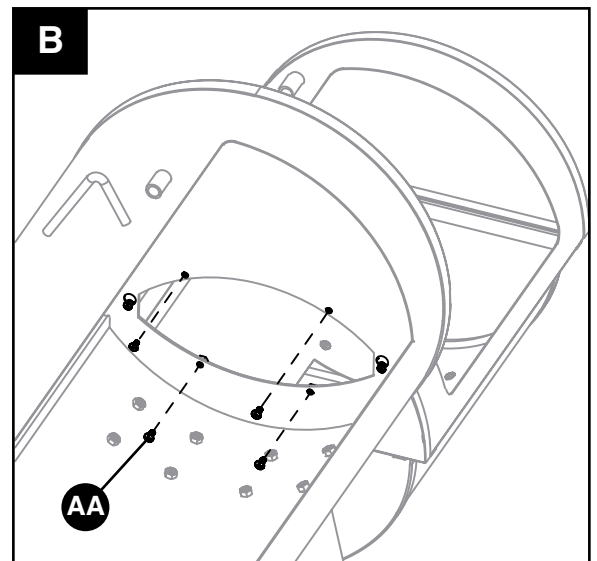
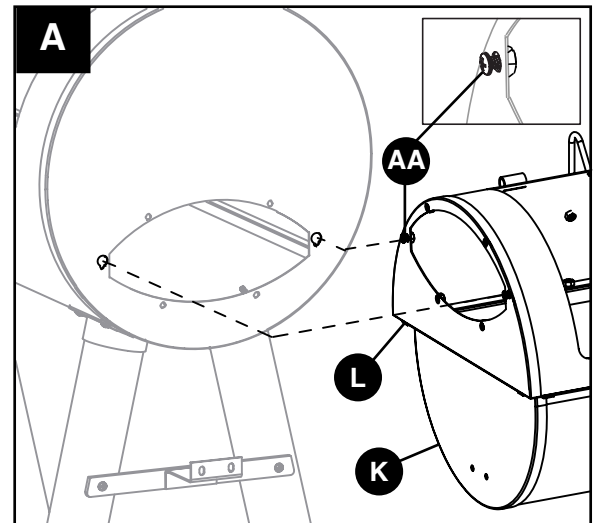
Optional Step A.

NOTE: The leg assemblies (J) can remain on the offset smoker box, or removed prior to installing. When removing the legs, be sure to reinsert the M6 x 12 bolts into the holes on the bottom section of the grill/smoker body (K).

To install the offset smoker box, remove the access door on the side of the primary grill and the adapter plate (Part M, not shown) on top section of the offset smoker box (L). Reuse the hardware from the adapter plate and insert two M6 x 12 bolts with at least 1/4" (6mm) of the bolt exposed on the left and right side of the opening on the top section of the smoker box (L). Insert the bolt heads inside the keyholes on the side of the primary grill. Do not tighten.

Optional Step B.

Insert the remaining four M6 x 12 bolts from inside the primary grill body and tighten all bolts - including the side bolts for the keyholes.





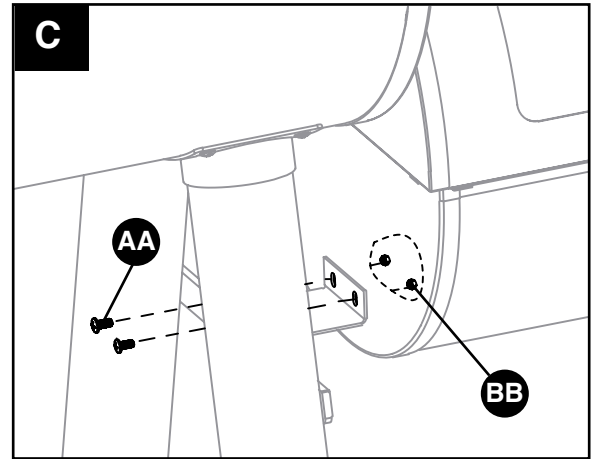
ASSEMBLY INSTRUCTIONS

Optional Step C.

Attach the offset box to the offset support bracket (not included) using the two M6 x 12 bolts (AA) and two M6 nuts (BB) that were included in the original hardware pack.

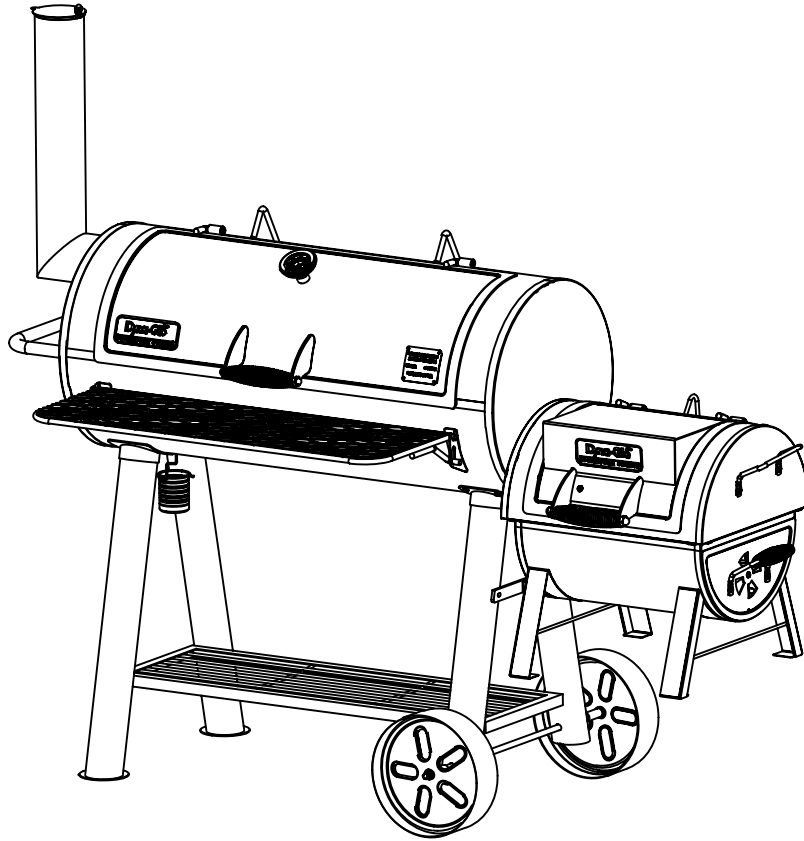
Hardware Used

AA	M6 x 12mm Bolt		x 2
BB	M6 Nut		x 2

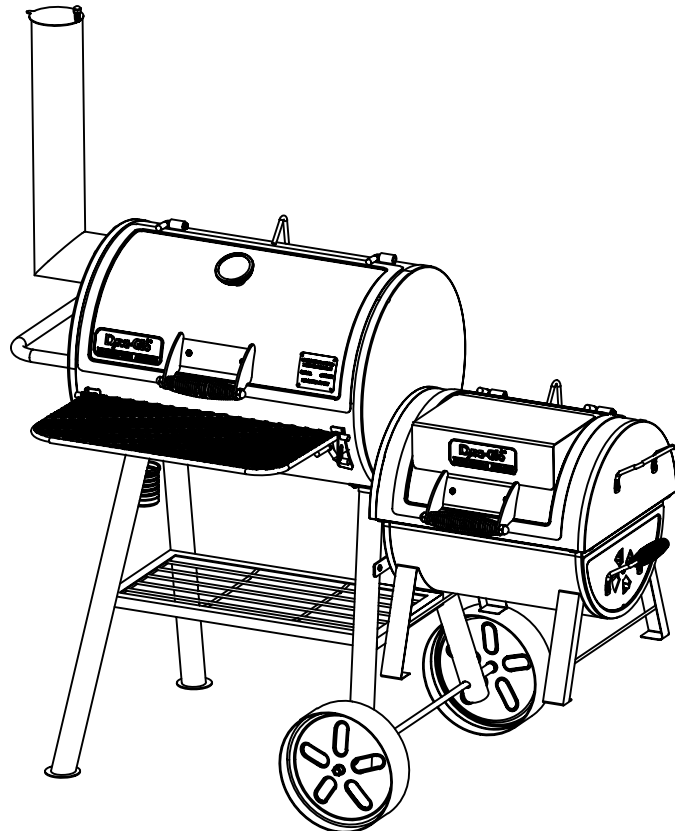


ASSEMBLY INSTRUCTIONS

DGSS675CB-D



DGSS443CB-D



OPERATING INSTRUCTIONS

BEFORE FIRST USE

Remove all hangings or plastic straps, if present.

It is important to "season" your grill, prior to cooking food. Seasoning seals the paint and interior of your grill to enhance flavoring, durability and overall performance. To season your grill, simply use it as you normally would without adding food. You will need to follow all of the lighting and operating procedures in the next few sections of this manual.

Lighting Instructions for Grilling

Start with at least 2 lbs. (.91 kgs.) of charcoal (35-40 standard briquettes).

Make adjustments as needed when cooking in colder climates or during high winds, and/or when fair amounts of precipitation are present.

Step 1

Note: Please refer to the manufacturer's recommended amount of charcoal lighter fluid before applying fluid to the briquettes. Charcoal can be added to the grill by removing the cooking grates or pulling out the side access tray. Pile the charcoal towards the middle of the charcoal grate. Briquettes should be packed closely together for maximum burn efficiency. Saturate charcoal with the amount of charcoal lighter fluid as recommended by the charcoal lighter fluid manufacturer. After soaking the charcoal, place the charcoal lighter fluid at a safe distance away from the smoker. Allow the charcoal lighter fluid to soak into the charcoal for 3 minutes before lighting. Make sure the access tray is pushed back into the firebox before lighting.

Step 2

With grill lid open, stand back and carefully light charcoal and allow to burn until covered with a light ash (approximately 20 minutes). Charcoal lighter fluid must be allowed to completely burn off prior to closing the primary grill lid and offset lid. (Fumes will tend to collect in both fireboxes, when both lids are closed). Open both side dampers to allow airflow during the lighting process.

Step 3

After 20-25 minutes, charcoal should be ready for grilling. Use heat-resistant gloves or oven mitts when placing the cooking grates back into the grill. Refer to the next section before adding wood chips to pre-lit charcoal.

Lighting Instructions for Cooking with Offset Smoker Box

DO NOT USE PRETREATED, MATCH-LIGHT CHARCOAL when using as a grill or smoker.

Seasoning the Grill

Using the recommended amount of charcoal (listed below), burn the grill for at least 30-45 minutes. Only use standard, untreated briquettes or lump charcoal and **ONLY** use charcoal lighting fluid approved for lighting charcoal. Do not use lighter fluid, paint thinners, gasoline, kerosene, alcohol or other flammable material for lighting charcoal. **Damage to the unit may occur with the use of match-light charcoal.**

OPERATING INSTRUCTIONS

Lighting Instructions (Continued)

Start with at least 2 lbs. (.91 kgs.) of charcoal (35-40 standard briquettes).

Make adjustments as needed when cooking in colder climates or during high winds, and/or when fair amounts of precipitation are present.

Step 1

Note: Please refer to the manufacturer's recommended amount of charcoal lighter fluid before applying fluid to the briquettes. Charcoal can be added to the offset firebox by removing the offset cooking grates or pulling out the side access tray. Pile the charcoal towards the middle of the offset charcoal grate. Briquettes should be packed closely together for maximum burn efficiency. Saturate charcoal with the amount of charcoal lighter fluid as recommended by the charcoal lighter fluid manufacturer. After soaking the charcoal, place the charcoal lighter fluid at a safe distance away from the smoker. Allow the charcoal lighter fluid to soak into the charcoal for 3 minutes before lighting. Make sure the access tray is pushed back into the firebox before lighting.

Step 2

With **primary grill lid and offset lid open**, stand back and carefully light charcoal and allow to burn until covered with a light ash (approximately 20 minutes). Charcoal lighter fluid must be allowed to completely burn off prior to closing the primary firebox door and offset lid. (Fumes will tend to collect in both fireboxes, when both lids are closed).

Step 3

After 20-25 minutes, charcoal should be ready for cooking and/or adding woodchips.

ADDING WOOD CHIPS (BEFORE AND DURING COOKING)

⚠ WARNING: Use caution since flames can flare-up when fresh air suddenly comes in contact with fire. When opening the offset lid, keep hands, face and body a safe distance from hot steam and flame flare-ups.

Presoaked Wood Chips

Soak the desired amount of chips in water for 30 minutes. Wrap the wood chips in aluminum foil and poke holes on the top of the foil wrapping. **FOLLOW THE STEPS ON THE NEXT PAGE BEFORE ADDING PRESOAKED WOOD CHIPS.**

OPERATING INSTRUCTIONS

Dry Wood Chips

Dry wood chips can be placed directly onto the pre-lit charcoal with or without aluminum foil.

FOLLOW THE STEPS BELOW BEFORE ADDING DRY WOOD CHIPS.

The amount and type of wood used is entirely dependent on the desired amount of flavor. Refer to the chart on the next page for tips on paring wood chips with various food types.

Step 1

Stand back and carefully open the offset lid allowing heat and steam to escape away from your face. Use caution since flames can flare-up when fresh air suddenly comes in contact with fire. Wood can be added by either removing the cooking grates with flame retardant oven mitts/gloves OR using the side pull out tray.

Step 2

Wearing flame retardant oven mitts/gloves, use long metal cooking tongs to lightly brush aside ashes on hot coals. Use the long metal cooking tongs to add wood chips (and/or charcoal) directly onto the charcoal, being careful not to stir-up ashes and sparks.

⚠ WARNING: Never add charcoal lighting fluid to hot or even warm coals as flashback may occur causing severe burns.

Allow the ashes to completely cool before reusing or cleaning the grill or smoker.

TIPS ON SMOKING

Smoking foods is different from grilling foods. Smoking is typically done slowly and at lower temperature than grilling. The smoke produced by the wood infuses itself into the meat giving it that great smoked flavor. Grilling is a much quicker cooking process using higher temperatures.

- Small wood chips work best inside the wood chip tray.
- Use dry hardwoods such as hickory, pecan, apple, cherry or mesquite.
- To produce more smoke and prevent fast burning, pre-soak the wood chips in a separate bowl of water for at least 30 minutes, or wrap the chips in perforated aluminum foil.
- Most smoke flavoring occurs within the first hour of cooking. **Adding wood chips after the first hour is typically not necessary unless extra smoke flavoring is desired.**

Here's a list of the most popular smoking woods and a little information about each.

Type of Wood	Suggested Food	Comments
Apple	All meats	Mild and sweet flavor with a slight hint of fruity flavor. Each species of Apple wood should offer a slightly different flavor. Apple smoke produces an attractive browning effect.
Almond	All meats	Produces a sweet smoke with a natural nutty flavor.
Ash	Fish and red meat	Very light flavor.
Citrus	Pork and chicken	Lemon and orange wood produce light but fruity flavor.
Cherry	Pork and beef	Light and fruity flavor.
Fruitwood	Pork, poultry and fish	Wood such as Peach, Pear and Plum produce a mild but sweet smoke with a hint of fruity flavor.
Grapevine	Poultry, game and lamb	Grapevine wood produces a lot of smoke. A little wood goes a long way. It produces a tart flavor that has a hint of fruit.
Hickory	Pork and beef	Hickory is arguably the favorite wood for smoking. Hickory produces a very strong flavor so we recommend starting slow with this wood.
Maple	Pork and poultry	Light and sweet.
Mesquite	Beef, chicken and fish	This wood burns very hot so be aware. Much like Hickory, Mesquite is very popular and produces a strong flavor.
Oak	Red meats, game, ribs and fish	Another wood that produces a heavy smoke. Start slow with this wood.
Pecan	Ribs and red meat	Produces a light smoke that offers a sweet and nutty flavor.

SUGGESTED SMOKING AND MEAT TEMPERATURES

Smoking Temperatures

Accurate smoking temperatures are critical for safely cooking food when meat probes are not available. Please understand that using the factory installed temperature gauge is an acceptable tool for smoking food; but it's not always the ideal means of measuring the most accurate smoking temperature because internal smoker temperatures can vary between the top and bottom cooking grates. Also keep in mind that the probes used on most gauges are designed to measure the temperature at the tip of the temperature probe and not the overall temperature of the smoker.

Alternatively, it is recommended that users either purchase an aftermarket, oven-ready temperature gauge, or a meat thermometer. Meat thermometers are the most effective way of determining when the food is cooked to the minimum temperature required for safe consumption.

Please refer to the chart below for cooking temps.

SUGGESTED SMOKING TEMPERATURES

	Suggested Smoking Temperatures	Safe Minimum Food Temperatures
Meat, Poultry, Fish		
Beef, veal and lamb (pieces and whole cuts)		
Medium-rare	225°F (107.2°C)	145°F (63°C)
Medium	225°F (107.2°C)	160°F (71°C)
Well done	225°F (107.2°C)	170°F (77°C)
Pork (ham, pork loin, ribs)		
Pork (pieces and whole cuts)	225 - 240°F (107.2 - 115.6°C)	160°F (71°C)
Ground meat and meat mixtures (burgers, sausages, meatballs, meatloaf, casseroles and mechanically tenderized beef)		
Beef, veal (including mechanically tenderized), lamb and pork	250 - 300°F (121 - 149°C)	160°F (71°C)
Poultry (chicken & turkey)	250 - 300°F	165°F (74°C)
Poultry (chicken, turkey, duck)		
Pieces	250°F (121°C)	165°F (74°C)
Whole	240°F (115.6°C)	185°F (85°C)
Seafood		
Fish	225 - 240°F (107.2 - 115.6°C)	158°F (70°C)
Shellfish (shrimp, lobster, crab, scallops, clams, mussels and oysters)	225 - 240°F (107.2 - 115.6°C)	165°F (74°C)
Since it is difficult to use a food thermometer to check the temperature of shellfish, discard any that do not open when cooked.		

	Suggested Smoking Temperatures	Safe Minimum Food Temperatures
Game		
Chops, steaks and roasts (deer, elk, moose, caribou/reindeer, antelope and pronghorn)		
Well done	225°F (107.2°C)	170°F (77°C)
Large Game		
Bear, bison, musk ox walrus, etc.	250 - 300°F (121 - 149°C)	165°F (74°C)
Small game		
Rabbit, muskrat, beaver, etc.	225 - 240°F (107.2 - 115.6°C)	165°F (74°C)
Ground Meat		
Ground meat and meat mixtures	250 - 300°F (121 - 149°C)	165°F (74°C)
Ground venison and sausage	250 - 300°F (121 - 149°C)	165°F (74°C)
Game birds/waterfowl (wild turkey, duck, goose, partridge and pheasant)		
Whole	250°F (121°C)	180°F (82°C)
Breasts and roasts	250°F (121°C)	165°F (74°C)
Thighs, wings	250°F (121°C)	165°F (74°C)
Stuffing (cooked alone or in a bird)	250°F (121°C)	165°F (74°C)

CARE AND MAINTENANCE

AFTER USE SAFETY AND MAINTENANCE

WARNING

- Use caution when lifting and moving the unit to avoid strain injuries.
- **DO NOT** store the unit near gasoline or other combustible liquids or where combustible vapors may be present. Keep the area around the appliance clear and free of combustible materials and vapors.
- **DO NOT** store this appliance in an area accessible to children or pets. Store the appliance in a dry, protected location.
- **DO NOT** allow anyone to conduct activities around the appliance following use until it has cooled. It is hot during operation and remains hot for a period of time following use.
- **DO NOT** leave hot ashes unattended until the appliance cools completely.
- The grill and offset smoker box becomes extremely hot – allow the appliance to cool completely before handling. Allow the grill and offset smoker box to cool before removing and cleaning the grease cup.
- Dispose of **cold** ashes by wrapping them in heavy-duty aluminum foil and putting them in a noncombustible container.
- If you must dispose of the ashes in less time than it takes for them to completely cool, remove the ashes using heat-resistant gloves, along with Dyna Glo ash scoop (if equipped), metal tongs, or fire place shovel. Place the ashes in aluminum foil. Completely soak the ashes with water before disposing of them in a noncombustible container.

 **CAUTION: All care and maintenance procedures are to be performed while the unit is completely cooled. Always perform maintenance by a qualified service person.**

Clean the cooking grates with hot, soapy water. Rinse and dry thoroughly. You may prefer to coat the cooking grates lightly with cooking oil or cooking spray.

To clean the inside and outside of the unit, simply use a damp cloth. Spray-washing with a water hose is not recommended. Moisture should be wiped away and not allowed to stand inside or on top of the unit. Once cleaned, you may prefer to lightly coat the interior of the firebox with cooking oil or cooking spray.

If rust is present on the exterior surface of the unit, clean the area with steel wool or emery cloth and use heavy-duty, heat-resistant paint.

NEVER apply additional paint to the interior of the unit. If rust is present on the interior of the unit, clean it thoroughly with steel wool or emery cloth and lightly coat the area with cooking oil or cooking spray to help minimize recurring rust.

To protect your unit from weather conditions, always keep it covered while not in use.

WARRANTY

This unit is warranted against broken or damaged parts at the time of purchase. All parts carry a one (1) year limited warranty. Paint is warranted to be free of defects for 90 days except for rust, which may appear after repeated use.

This warranty does not cover damage or issues related to neglect, abuse or modifications to the appliance. Repair labor is not covered.

All parts that meet the warranty requirements will be shipped at no charge via the discretion of GHP Group Inc. (ground shipments, US Mail or Parcel Post ONLY). Any special handling charges (i.e. Second Day, Overnight, etc.) will be the responsibility of the consumer.

All warranty claims apply only to the original purchaser and require a proof of purchase verifying purchase date. Do not return parts to GHP address without first obtaining a return authorization number from our customer service. This service is available by calling toll free 1-877-447-4768, 8:30 a.m. - 4:30 p.m. CST, Monday - Friday.

Some states do not allow the exclusion or limitation of incidental or consequential damages or limitations on how long an implied warranty lasts, so the above limitations or exclusions may not apply to you. This warranty gives you specific legal rights, and you may have other rights that vary from state to state.

GHP Group Inc.
6440 W. Howard Street
Niles, IL, USA
60714-3302

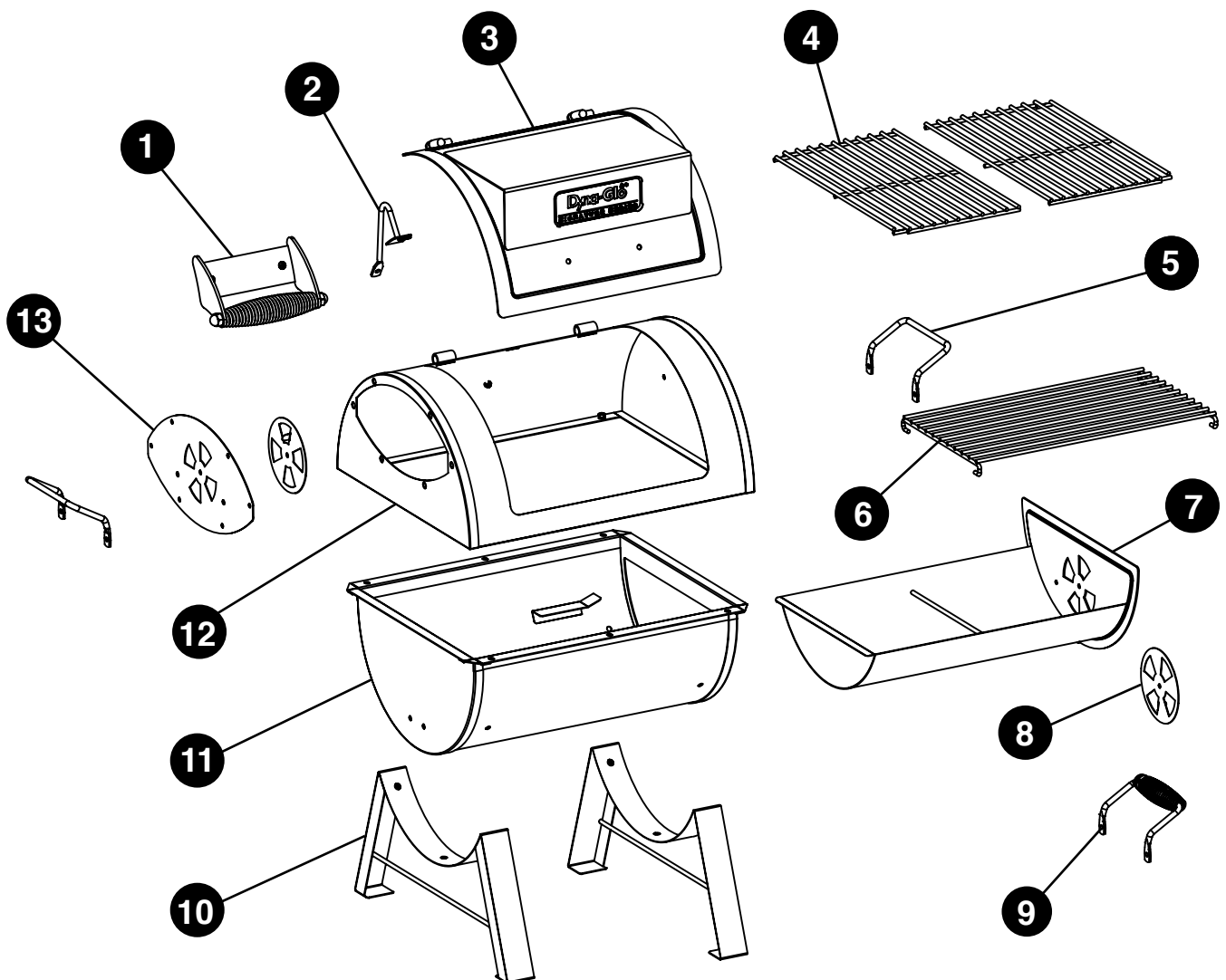
Item name: Heavy-Duty Charcoal Grill and Offset Smoker Box
Model #: DGSS287CB / DGSS287CB-D

REPLACEMENT PARTS LIST

For replacement parts, call our customer service department at 1-877-447-4768, 8:30 a.m. - 4:30 p.m. CST, Monday - Friday or log on to customerservice@ghpgroupinc.com.

PART	DESCRIPTION	PART #
1	Lid Handle	70-01-584
2	Lid Bracket	70-01-528
3	Lid (Without Handle)	70-01-529
4	Cooking Grate (1pc)	70-01-535
5	Side Handle - Left/Right	70-01-563
6	Charcoal Grate	70-01-536
7	Access Tray	70-01-533
8	Damper Plate - Tray & Firebox (1pc)	70-01-593

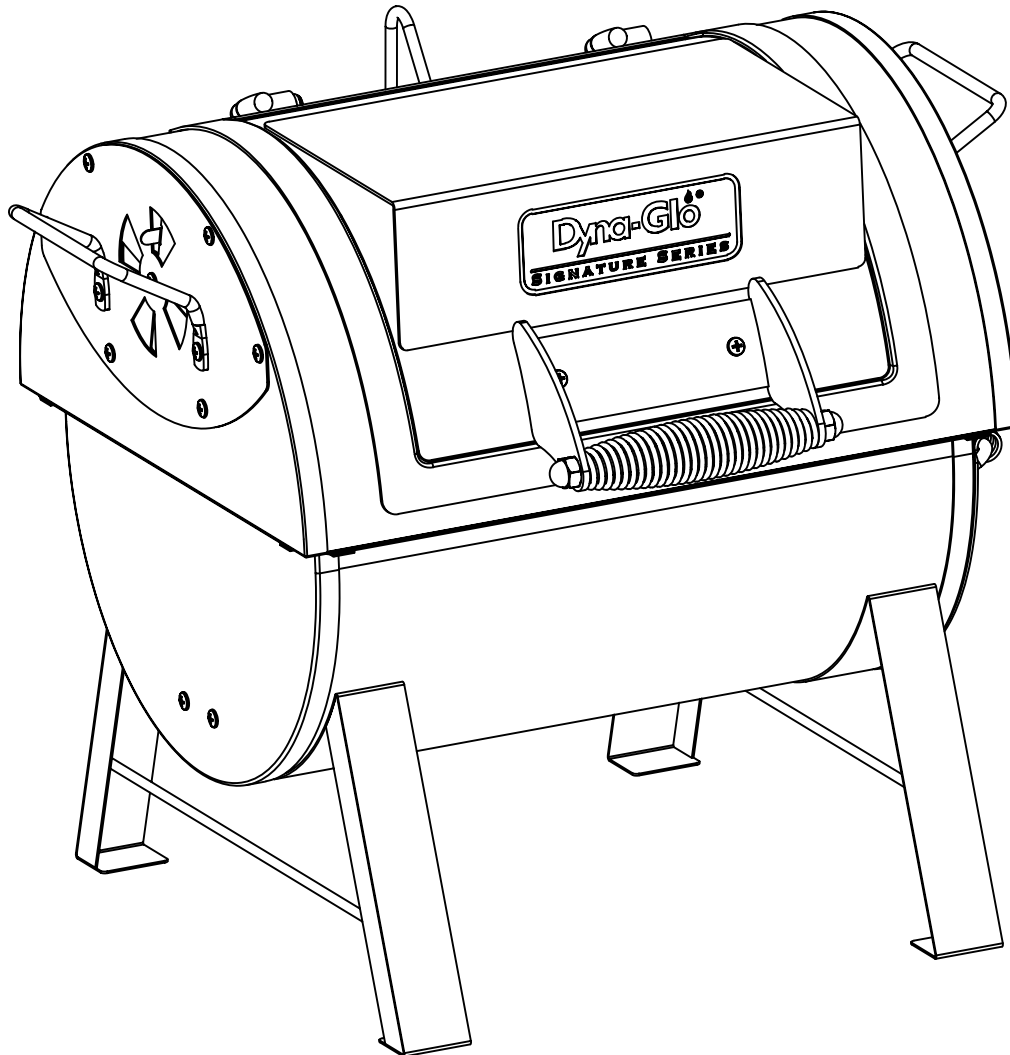
PART	DESCRIPTION	PART #
9	Access Tray Handle	70-01-534
10	Leg Assembly - Left/Right	70-01-564
11	Firebox Bottom Section	70-01-532
12	Firebox Top Section (without lid)	70-01-557
13	Firebox Adapter Plate	70-01-565
n/a	Hardware pack	70-09-516
n/a	Instruction manual	70-10-587





Barbecue au charbon haute-capacité et fumoir décalé

MODÈLE N° DGSS287CB-D/
DGSS287CB



AGRAFEZ VOTRE FACTURE ICI

Numéro de série _____ Date d'achat _____



Des questions, des problèmes, des pièces manquantes? Avant de retourner chez votre détaillant, appelez notre service à la clientèle au 1 877 447-4768, entre 8 h 30 et 16 h 30 (HNC), du lundi au vendredi ou écrivez à customerservice@ghpgroupinc.com.

70-10-587


Rév. 12/19/16

TABLE DES MATIÈRES

Informations relatives à la sécurité	25
Contenu de l'emballage	27
Quincaillerie fournie	28
Préparation	28
Instructions d'assemblage	29
Instructions de fonctionnement	39
Conseils sur le fumage	42
Entretien et maintenance	44
Garantie	45
Liste des pièces de rechange	46

INFORMATIONS RELATIVES À LA SÉCURITÉ

Veuillez lire et comprendre le présent guide avant de tenter d'assembler, d'utiliser ou d'installer le produit. Si vous avez des questions concernant le produit, appelez notre service à la clientèle au 1 877 447-4768, entre 8 h 30 et 16 h 30 (HNC), du lundi au vendredi, ou écrivez à customerservice@ghpgroupinc.com.

-  Faites preuve de prudence lorsque vous soulevez et déplacez l'appareil afin d'éviter les douleurs et les blessures au dos. Ne déplacez jamais l'appareil lorsqu'il est en fonction.
- N'utilisez **PAS** l'appareil près de matériaux inflammables ou combustibles, comme une terrasse, un porche ou un abri à voitures, ou sous de tels matériaux.
 - Le dégagement minimum entre l'appareil et les constructions combustibles, sur les côtés et à l'arrière, est de 91,4 cm (36 po).
 - N'utilisez **PAS** l'appareil sous des constructions.
 - N'utilisez **PAS** l'appareil comme réchaud.
 - Utilisez l'appareil sur une surface stable, plane nivelée et non combustible comme de l'asphalte, du béton ou tout autre sol solide.
 - N'utilisez **PAS** l'appareil sur des matériaux inflammables comme un tapis ou une terrasse en bois.
 - Faites preuve de prudence lorsque vous assemblez et utilisez l'appareil pour éviter de vous couper ou de vous écorcher sur les rebords de l'appareil ou de ses pièces.

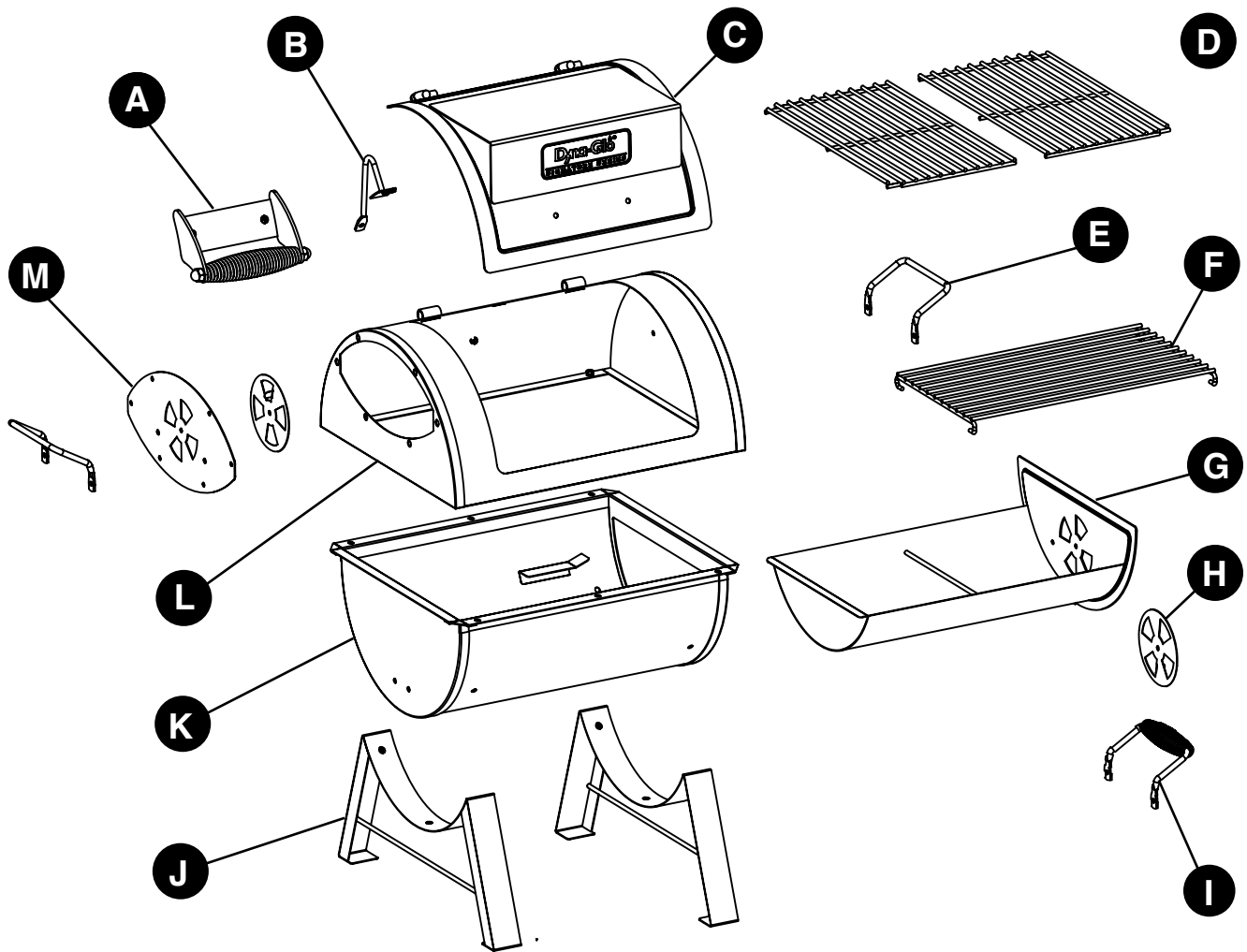
INFORMATIONS RELATIVES À LA SÉCURITÉ

- N'utilisez **PAS** l'appareil de quelque manière autre que la fonction pour laquelle il a été prévu. Il n'est **PAS** destiné à un usage commercial. Il n'est **PAS** conçu pour une installation ou un usage à bord d'un véhicule récréatif ou d'un bateau.
- N'entreposez **PAS** l'appareil près d'essence ou d'autres liquides combustibles, ni dans des endroits où des vapeurs combustibles peuvent être présentes.
- N'entreposez et n'utilisez **PAS** l'appareil dans un endroit accessible aux enfants ou aux animaux domestiques. Rangez-le dans un endroit sec et protégé.
- Ne laissez **PAS** l'appareil sans surveillance pendant qu'il est en fonction.
- Ne laissez **PAS** de cendres chaudes sans surveillance tant que le barbecue n'a pas complètement refroidi.
- Ne déplacez **PAS** l'appareil lorsqu'il est en fonction ou que les cendres sont encore chaudes. Laissez-le refroidir complètement avant de le déplacer ou de le ranger.
- N'utilisez **JAMAIS** d'essence, de kérosène, d'essence à briquet Zippo/Ronson ou d'autres fluides très volatils comme allume-feu.
- Faites toujours cuire les aliments sur la grille une fois que les flammes se sont éteintes d'elles-mêmes.
- Jetez les cendres froides en les enveloppant dans du papier d'aluminium très résistant et en les plaçant dans un contenant incombustible. Assurez-vous qu'il n'y a aucune matière combustible dans le contenant ou près de celui-ci.
- Si vous devez jeter les cendres avant qu'elles n'aient complètement refroidi, retirez-les de l'appareil à l'aide de gants résistants à la chaleur et de longues pinces en métal ou d'une pelle à cendres. Placez les braises dans du papier d'aluminium et trempez-les complètement dans l'eau avant de les jeter dans un contenant incombustible.
- Laissez l'appareil refroidir complètement avant de procéder au nettoyage et à l'entretien habituels de l'appareil.
- L'appareil sera brûlant pendant et après l'utilisation. Utilisez des mitaines de four ou des gants isolants pour vous protéger des surfaces brûlantes et des éclaboussures de liquides de cuisson chauds.
- Faites preuve de prudence lorsque vous ouvrez le couvercle de l'appareil pendant qu'il est en fonction. Gardez vos mains, votre visage et votre corps loin de la vapeur chaude et des flammes. N'inhalez **PAS** de fumée.
- Ne portez **PAS** de vêtements amples lorsque vous utilisez le barbecue. Attachez vos cheveux, s'ils sont longs, lorsque vous utilisez le barbecue.
- Portez **TOUJOURS** des chaussures qui couvrent entièrement vos pieds lorsque vous utilisez le barbecue.
- N'utilisez **JAMAIS** d'accessoires de cuisson en verre, en plastique ou en céramique sur le barbecue ou à l'intérieur de celui-ci. Utilisez des accessoires en métal uniquement.
- L'utilisation d'accessoires non conçus pour une utilisation avec ce barbecue n'est pas recommandée et peut entraîner des blessures ou des bris matériels.

PROPOSITION 65 DE L'ÉTAT DE LA CALIFORNIE

Les combustibles utilisés dans les appareils fonctionnant au bois ou au charbon et les produits de la combustion de ces combustibles contiennent des substances chimiques reconnues dans l'État de la Californie comme causant le cancer, des anomalies congénitales ou d'autres problèmes de reproduction. Ce produit contient des substances chimiques, dont le plomb et des composés de plomb, reconnus par l'État de la Californie comme causant le cancer, des malformations congénitales ou d'autres problèmes de reproduction. ***Lavez-vous les mains après avoir manipulé l'appareil.***

CONTENU DE L'EMBALLAGE



PIÈCE	DESCRIPTION	QUANTITÉ
A	Poignée du couvercle	1
B	Support du couvercle	1
C	Couvercle	1
D	Grille de cuisson	2
E	Poignée latérale – gauche/droite	2
F	Grille à charbon	1
G	Tiroir d'accès	1
H	Registre – tiroir et chambre de combustion	2
I	Poignée du tiroir d'accès	1
J	Pied – gauche/droit	2
K	Partie inférieure de la chambre de combustion	1
L	Partie supérieure de la chambre de combustion	1
M	Plaque d'adaptation à la chambre de combustion	1

QUINCAILLERIE FOURNIE

AA

BB

CC



Boulon
M6 x 12 mm

Écrou
M6

Écrou
de blocage
M6

Qté 29

Qté 9

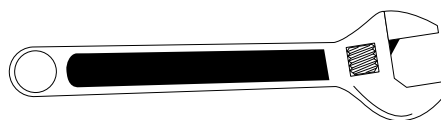
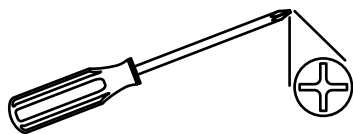
Qté 2

PRÉPARATION

Avant de commencer l'assemblage du produit, assurez-vous que toutes les pièces sont présentes. Comparez les pièces à la liste de contenu de l'emballage et de quincaillerie fournie précédemment. Si des pièces sont manquantes ou endommagées, ne tentez pas d'assembler le produit. Communiquez avec le service à la clientèle pour obtenir des pièces de rechange.

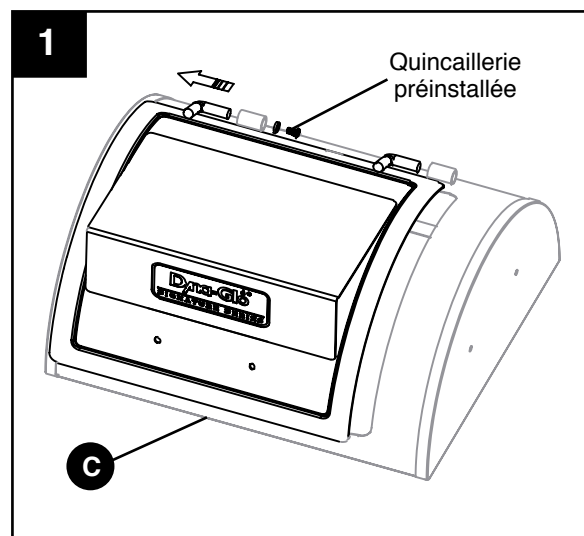
Temps d'assemblage estimé : 30 minutes

Outils nécessaires pour l'assemblage (non compris) : tournevis cruciforme, clé à molette ajustable




INSTRUCTIONS D'ASSEMBLAGE

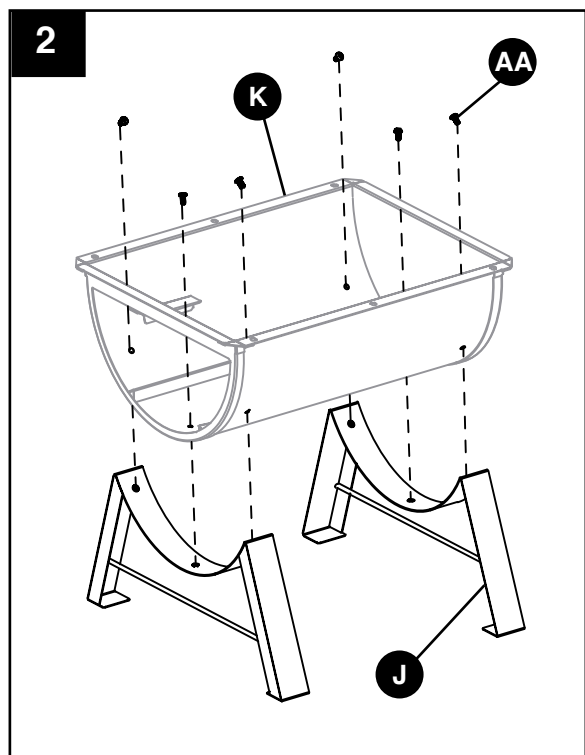
1. Retirez le boulon et la rondelle préinstallés sur la charnière gauche du couvercle et glissez le couvercle (C) hors des charnières.



2. Fixez les pieds gauche et droit (J) à la partie inférieure de la chambre de combustion (K) à l'aide de trois (3) boulons M6 x 12 mm par pied.

Matériel utilisé

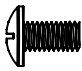
AA Boulon M6 x 12 mm  x 6

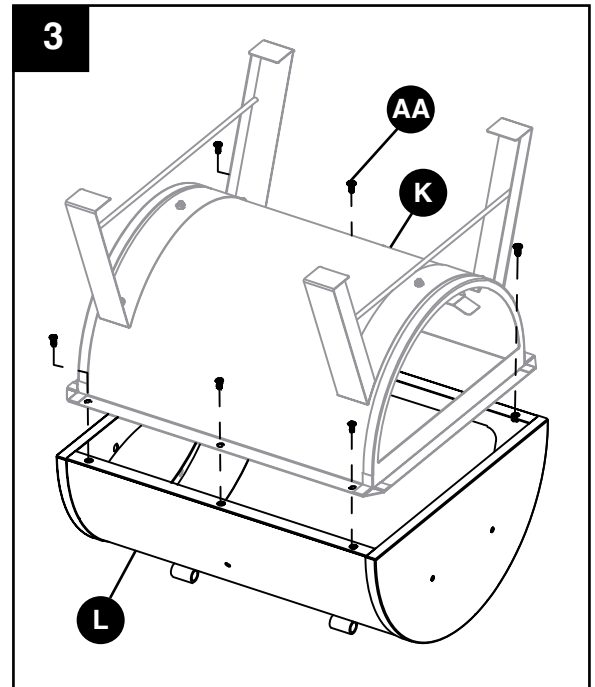


INSTRUCTIONS D'ASSEMBLAGE

3. Fixez la partie inférieure de la chambre de combustion (K) à la partie supérieure (L) à l'aide de six (6) boulons M6 x 12 mm (AA).

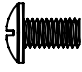

Matériel utilisé

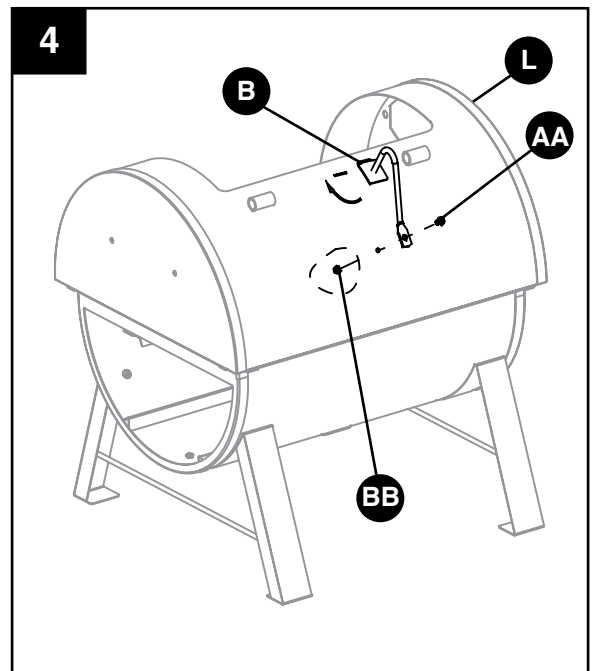
- AA** Boulon M6 x 12 mm  x 6



4. Insérez le côté du support du couvercle (B) dans l'ouverture prévue à cet effet sur la partie supérieure de la chambre de combustion (L). Fixez le support à l'aide d'un (1) boulon M6 x 12 mm (AA) et d'un (1) écrou M6 (BB).

Matériel utilisé


- AA** Boulon M6 x 12 mm  x 1
- BB** Écrou M6  x 1

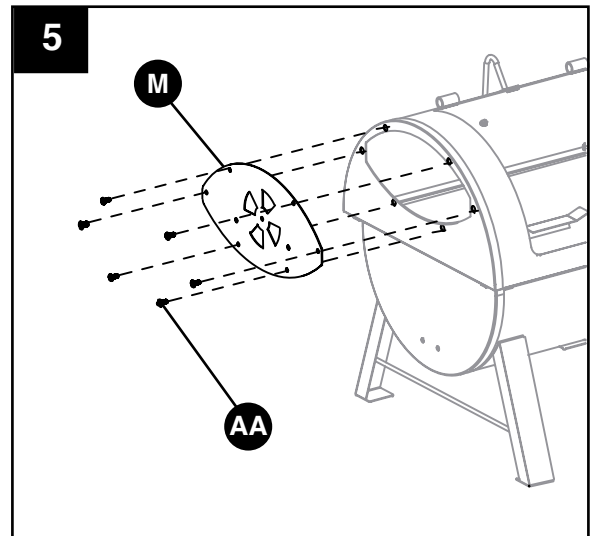


INSTRUCTIONS D'ASSEMBLAGE

5. Fixez la plaque d'adaptation à la chambre de combustion (M) à l'aide de six (6) boulons M6 x 12 mm (AA).



Matériel utilisé

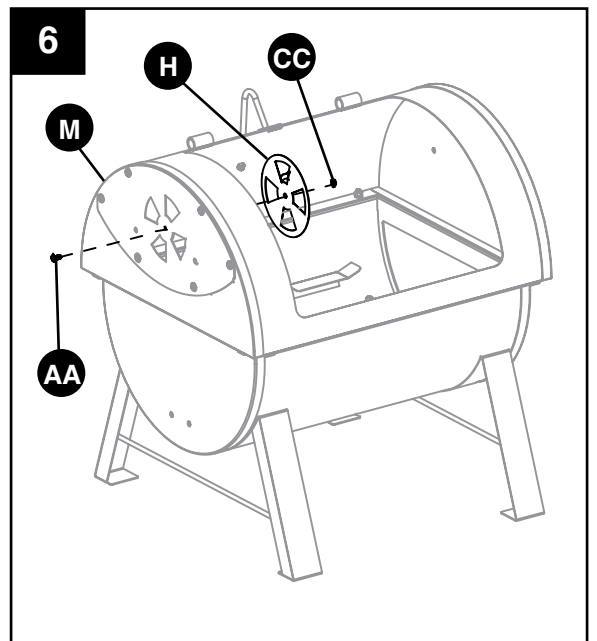
AA	Boulon M6 x 12 mm		x 6
-----------	----------------------	---	-----



6. Fixez le registre latéral (H) à l'intérieur de la plaque d'adaptation (M) à l'aide d'un (1) boulon M6 x 12 mm (AA) et d'un (1) écrou de blocage M6 (CC).

Matériel utilisé

AA	Boulon M6 x 12 mm		x 1
CC	Écrou de blocage M6		x 1

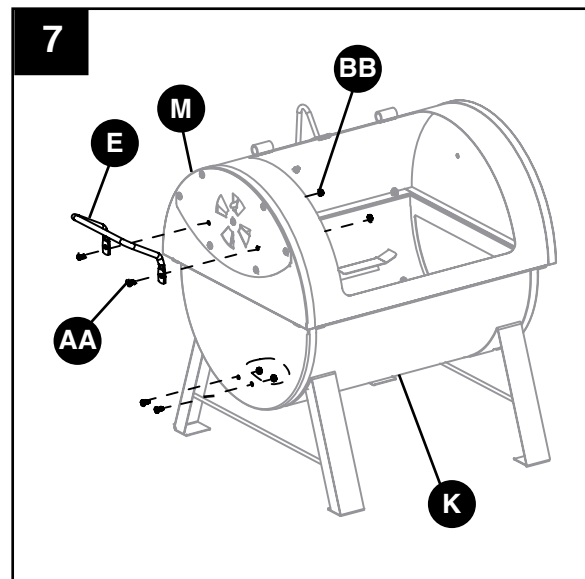


INSTRUCTIONS D'ASSEMBLAGE



7. Fixez la poignée latérale (E) à la plaque d'adaptation (M) à l'aide de deux (2) boulons M6 x 12 mm (AA) et de deux (2) écrous M6 (BB).

Vissez deux (2) boulons M6 x 12 mm et deux (2) écrous M6 (BB) dans les deux trous de la partie inférieure de la chambre de combustion (K) afin de les boucher.

Remarque : Le barbecue peut également servir de fumeur décalé. Les trous dans la partie inférieure sont préalablement percés pour l'installation d'un support de raccordement (non compris). Pour davantage d'informations sur l'utilisation du barbecue comme fumeur décalé, consultez la page 13.





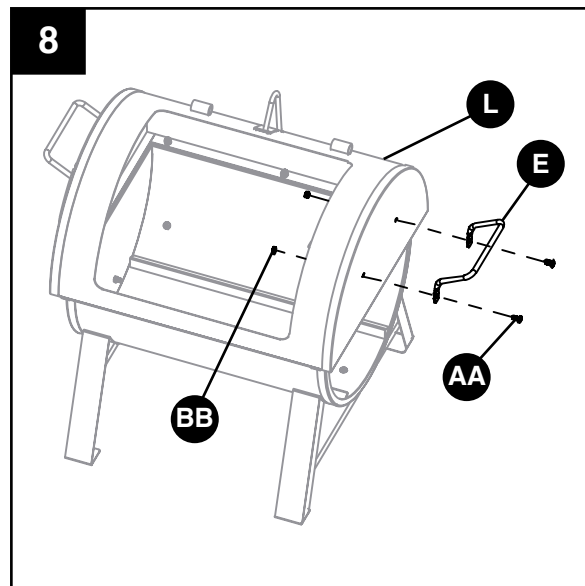
Matériel utilisé

AA	Boulon M6 x 12 mm		x 4
BB	Écrou M6		x 4

8. Fixez l'autre poignée latérale (E) à la partie supérieure de la chambre de combustion (L) à l'aide de deux (2) boulons M6 x 12 mm (AA) et de deux (2) écrous M6 (BB).

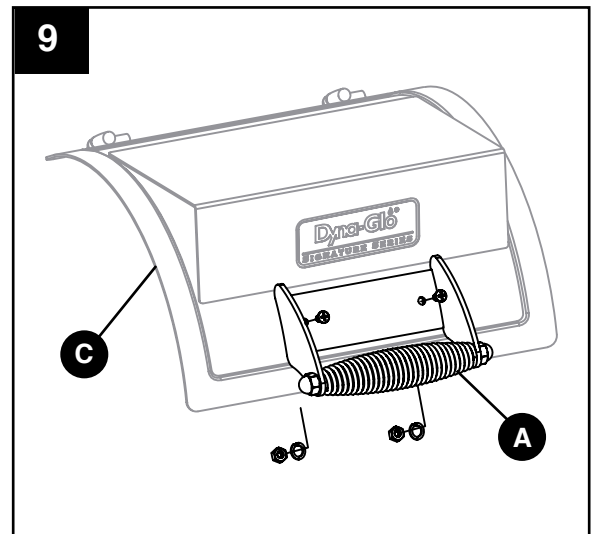
Matériel utilisé

AA	Boulon M6 x 12 mm		x 2
BB	Écrou M6		x 2

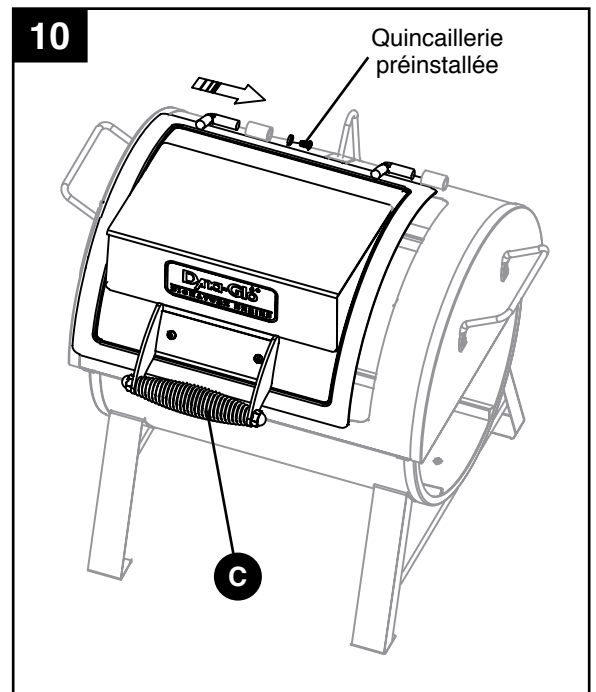


INSTRUCTIONS D'ASSEMBLAGE

9. Fixez la poignée du couvercle (A) au couvercle (C) à l'aide des boulons, des rondelles et des écrous préinstallés.





10. Remplacez le couvercle (C) et fixez-le à l'aide de la rondelle et du boulon préinstallés.

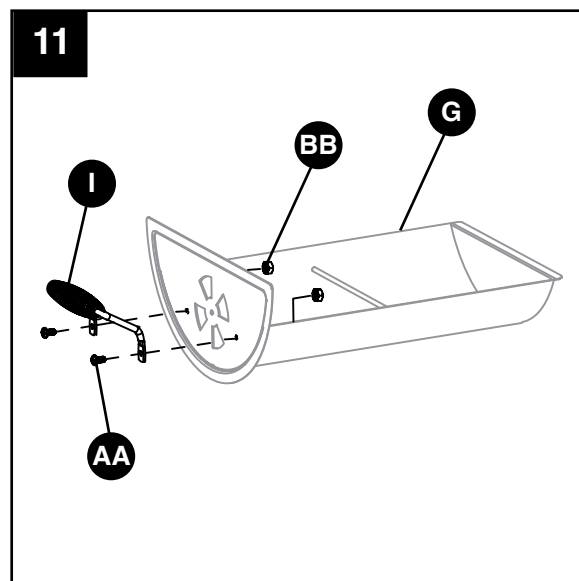


INSTRUCTIONS D'ASSEMBLAGE

11. Fixez la poignée du tiroir d'accès (I) au tiroir d'accès (G) à l'aide deux (2) boulons M6 x 12 mm (AA) et de deux (2) écrous M6 (BB).


Matériel utilisé

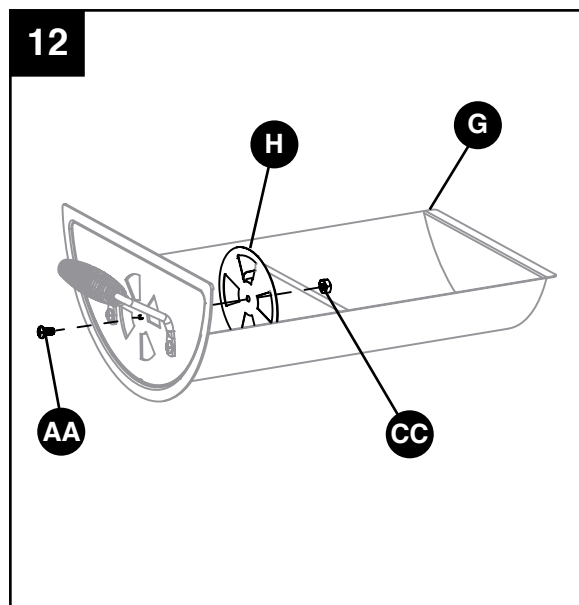
AA	Boulon M6 x 12 mm		x 2
BB	Écrou M6		x 2



12. Fixez le registre latéral (H) à l'intérieur du tiroir d'accès (G) à l'aide d'un (1) boulon M6 x 12 mm (AA) et d'un d'un (1) écrou de blocage M6 (CC).

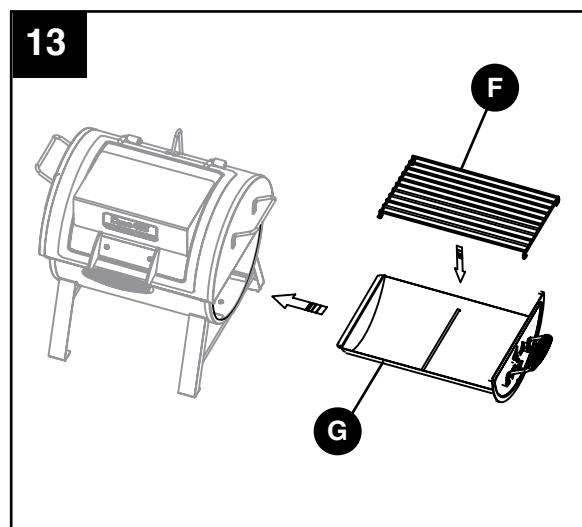
Matériel utilisé

AA	Boulon M6 x 12 mm		x 1
CC	Écrou de blocage M6		x 1

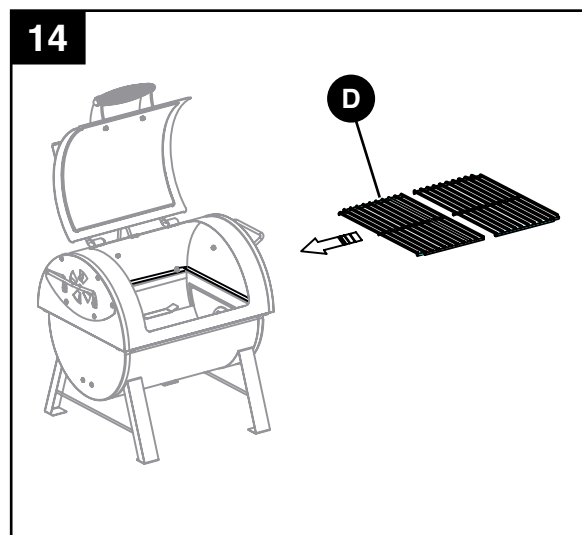


INSTRUCTIONS D'ASSEMBLAGE

13. Placez la grille à charbon (F) à l'intérieur du tiroir d'accès (G) et glissez le tiroir à l'intérieur du fumoir décalé.



14. Positionnez les grilles de cuisson (D) sur le rail supérieur de la chambre de combustion.



INSTRUCTIONS D'ASSEMBLAGE

Utilisation de la chambre de combustion comme fumoir décalé (facultatif).

Le barbecue peut également servir de fumoir décalé sur les modèles de barbecue Dyna-Glo DGSS675CB-D et DGSS443CB-D.

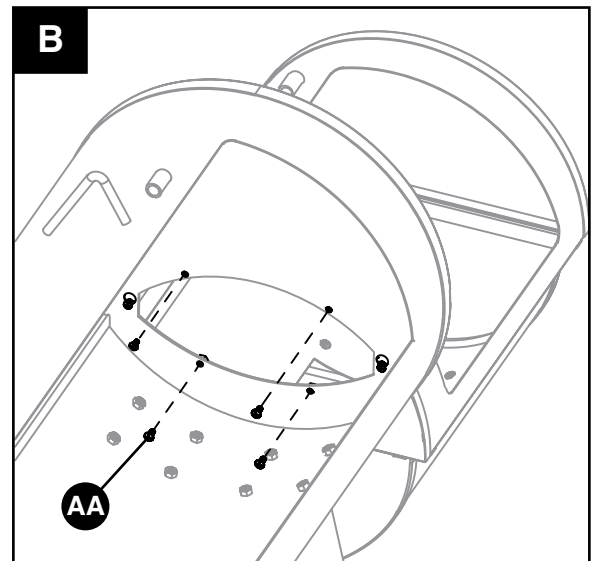
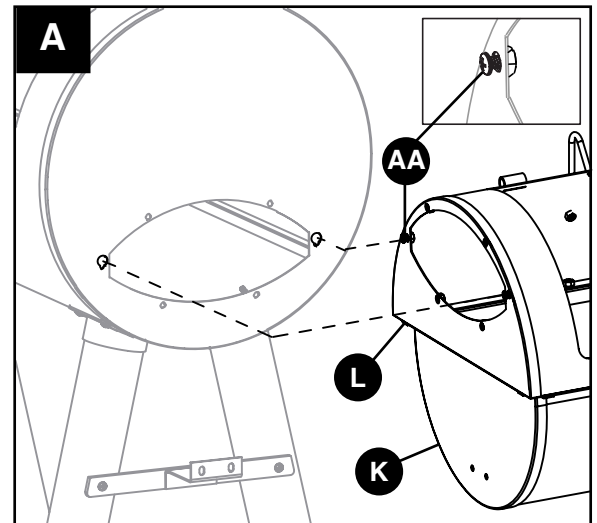
Étape facultative A.

REMARQUE : Les pieds (J) peuvent demeurer attachés au fumoir décalé ou être retirés avant l'installation. Lorsque vous retirez les pieds, assurez-vous de réinsérer les boulons M6 x 12 mm dans les trous de la partie inférieure du bâti du barbecue/fumoir (K).

Pour installer le fumoir décalé, retirez la porte d'accès sur le côté du barbecue principal et la plaque d'adaptation (pièce M, non illustrée) de la partie supérieure du fumoir décalé (L). Réutilisez la quincaillerie employée pour fixer la plaque d'adaptation et insérez deux (2) boulons M6 x 12 mm en les laissant dépasser d'au moins 6 mm (1/4 po) des cotés gauche et droit de l'ouverture dans la partie supérieure du fumoir (L). Insérez les têtes de boulons dans les encoches en trou de serrure sur le côté du barbecue principal. Ne serrez pas.

Étape facultative B.

Installez les quatre (4) boulons M6 x 12 mm restants à l'intérieur du bâti du barbecue principal et serrez tous les boulons, y compris les boulons insérés dans les encoches en trou de serrure de chaque côté de l'ouverture.





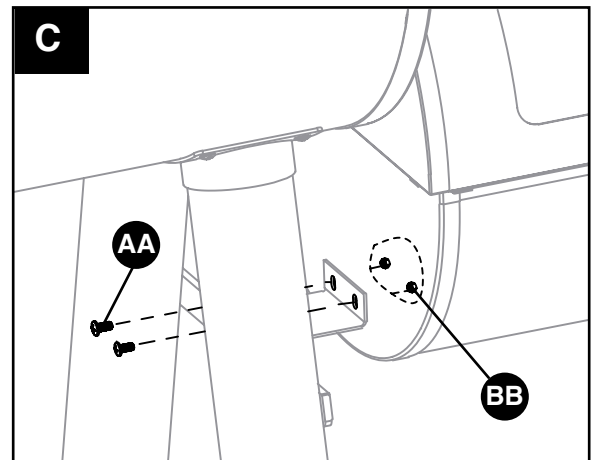
INSTRUCTIONS D'ASSEMBLAGE

Étape facultative C.

Fixez le fumoir décalé sur le support de raccordement (non compris) à l'aide des deux (2) boulons M6 x 12 mm (AA) et des deux (2) écrous M6 (BB) fournis dans la trousse de matériel de départ.

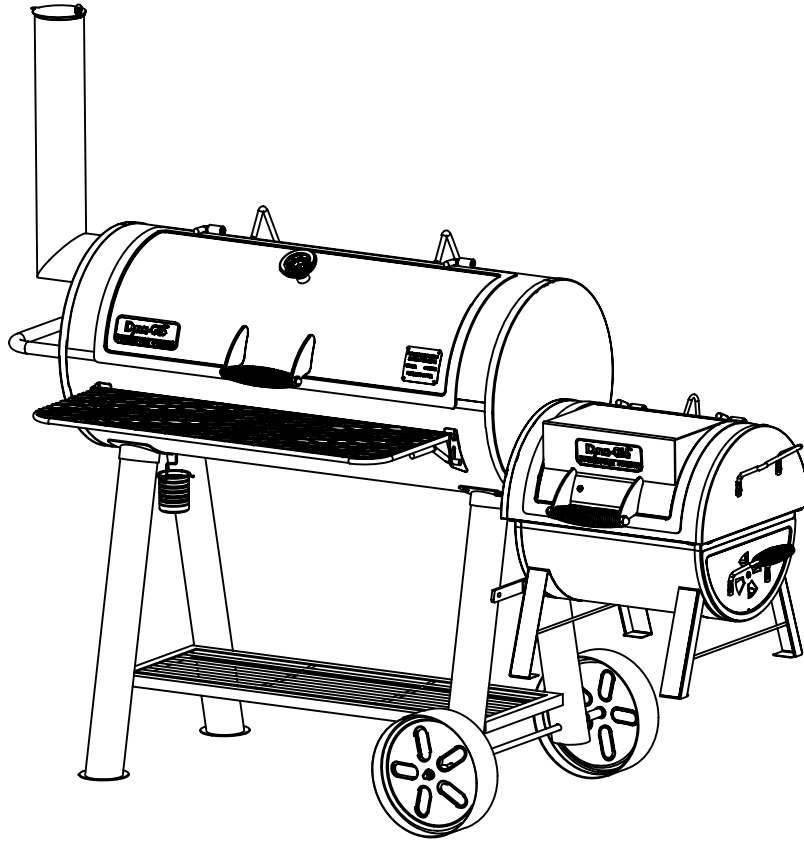
Matériel utilisé

AA	Boulon M6 x 12 mm		x 2
BB	Écrou M6		x 2

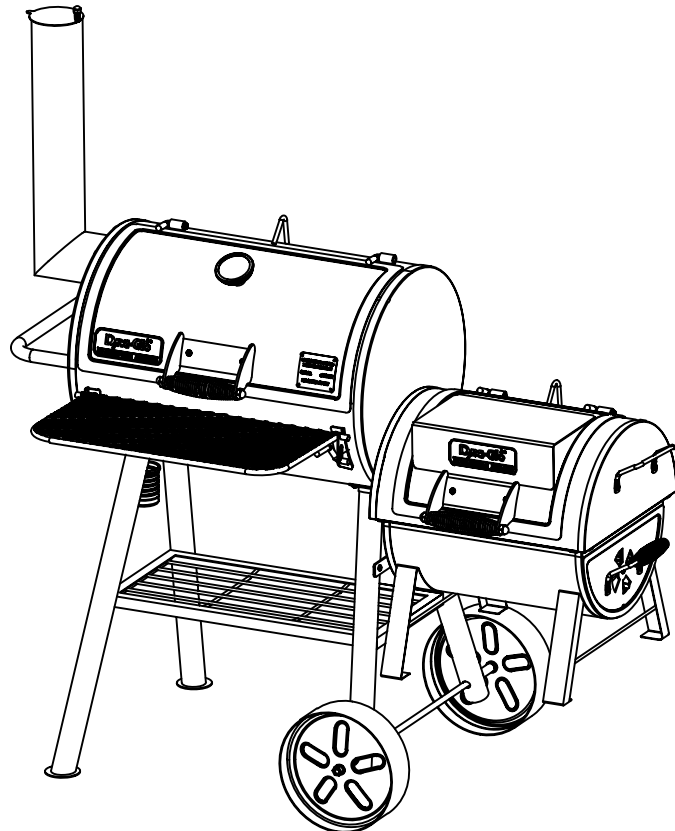


INSTRUCTIONS D'ASSEMBLAGE

DGSS675CB-D



DGSS443CB-D



INSTRUCTIONS DE FONCTIONNEMENT

AVANT LA PREMIÈRE UTILISATION

Retirez tous les emballages et toutes les attaches de plastique, le cas échéant.

Avant la cuisson des aliments, il est important de culotter le barbecue. Le culottage permet de sceller la peinture et l'intérieur du barbecue pour améliorer le goût des aliments, en plus d'augmenter la durabilité et la performance globale. Pour culotter le barbecue, utilisez-le comme vous le feriez normalement, mais en ne faisant cuire aucun aliment. Vous devrez suivre toutes les procédures d'allumage et d'utilisation des prochaines sections de ce guide.

Instructions d'allumage pour cuisson

Commencez avec 0,91 kg (2 lb) de charbon (35-40 briquettes standards).

Ajustez la quantité au besoin lorsque vous cuisinez par temps froid, venteux ou pluvieux.

Étape 1

Remarque : Veuillez vous reporter aux recommandations du fabricant pour connaître la quantité d'allume-feu liquide pour charbon de bois avant d'en mettre sur les briquettes. Il est possible d'ajouter du charbon au barbecue en retirant les grilles de cuisson de ce dernier, ou en retirant le tiroir d'accès latéral. Empilez le charbon au milieu de la grille à charbon. Les briquettes doivent être rapprochées les unes des autres afin d'assurer une combustion optimale. Dispersez de l'allume-feu liquide sur les charbons en respectant la quantité recommandée par le fabricant. Après avoir laissé le charbon s'imbiber, placez l'allume-feu liquide à une distance sécuritaire du fumoir. Laissez l'allume-feu liquide s'imbiber dans le charbon pendant trois (3) minutes avant l'allumage. Assurez-vous que le tiroir d'accès est bien repoussé à l'intérieur de la chambre de combustion avant l'allumage.

Étape 2

En laissant le couvercle du barbecue ouvert, tenez-vous à l'écart, allumez le charbon avec prudence et laissez-le brûler jusqu'à ce qu'il soit recouvert d'une mince couche de cendre (environ 20 minutes). Il faut laisser le temps à l'allume-feu liquide de se consumer complètement avant de fermer le couvercle du barbecue principal et celui du fumoir décalé. (Les vapeurs auront tendance à s'accumuler dans les deux chambres de combustion lorsque les deux couvercles sont fermés.) Ouvrez les registres de chaque côté du barbecue pour permettre une circulation d'air durant l'allumage.

Étape 3

Après 20 à 25 minutes, les charbons devraient être prêts pour la cuisson. Utilisez des gants résistants à la chaleur ou des mitaines de four lorsque vous replacez les grilles de cuisson dans le barbecue. Reportez-vous à la prochaine section avant d'ajouter des copeaux sur les charbons allumés.

Instructions d'allumage pour cuisson dans le fumoir décalé

N'UTILISEZ PAS DE CHARBON DE BOIS TRAITÉ AVEC UN ACCÉLÉRATEUR lorsque vous vous servez de cet appareil comme barbecue ou comme fumoir.

Culottage du barbecue

En utilisant la quantité recommandée de charbon (indiquée ci-dessous), faites chauffer le barbecue pendant au moins 30 à 45 minutes. Utilisez uniquement des briquettes ou du charbon de bois en blocs standards non traités et ajoutez uniquement de l'allume-feu liquide pour charbon de bois. N'utilisez pas d'essence à briquet, de diluants, d'essence, de kérosène ou d'autres matières inflammables pour allumer le charbon. **L'utilisation de charbon prétraité avec un accélérateur peut endommager l'appareil.**

INSTRUCTIONS DE FONCTIONNEMENT

Instructions d'allumage (suite)

Commencez avec 0,91 kg (2 lb) de charbon (35-40 briquettes standards).

Ajustez la quantité au besoin lorsque vous cuisinez par temps froid, venteux ou pluvieux.

Étape 1

Remarque : Veuillez vous reporter aux recommandations du fabricant pour connaître la quantité d'allume-feu liquide pour charbon de bois avant d'en mettre sur les briquettes. Il est possible d'ajouter du charbon au fumoir décalé en retirant les grilles de cuisson de ce dernier, ou en retirant le tiroir d'accès latéral. Empilez le charbon au milieu de la grille à charbon du fumoir décalé. Les briquettes doivent être rapprochées les unes des autres afin d'assurer une combustion optimale. Dispersez de l'allume-feu liquide sur le charbon en respectant la quantité recommandée par le fabricant. Après avoir laissé le charbon s'imbiber, placez l'allume-feu liquide à une distance sécuritaire du fumoir. Laissez l'allume-feu liquide s'imbiber dans le charbon pendant trois (3) minutes avant l'allumage. Assurez-vous que le tiroir d'accès est bien repoussé à l'intérieur de la chambre de combustion avant l'allumage.

Étape 2

Alors que le **couverture du barbecue principal et celui du fumoir décalé sont ouverts**, tenez-vous à l'écart, allumez le charbon avec prudence et laissez-le brûler jusqu'à ce qu'il soit recouvert d'une mince couche de cendre (environ 20 minutes). Il faut laisser le temps à l'allume-feu liquide de se consumer complètement avant de fermer le couvercle de la chambre de combustion principale et le couvercle du fumoir décalé. (Les vapeurs auront tendance à s'accumuler dans les deux chambres de combustion lorsque les couvercles sont fermés.)

Étape 3

Après 20 à 25 minutes, les charbons devraient être prêts pour la cuisson ou pour l'ajout de copeaux de bois.

AJOUT DE COPEAUX DE BOIS (AVANT ET PENDANT LA CUISSON)

⚠ AVERTISSEMENT : Faites preuve de prudence, car des flammes peuvent jaillir lorsque de l'air frais entre soudainement en contact avec le feu. Lorsque vous ouvrez le couvercle du fumoir décalé, gardez vos mains, votre visage et votre corps à une distance sécuritaire de la vapeur chaude et des flammes.

Copeaux de bois trempés

Trempez la quantité désirée de copeaux dans l'eau pendant 30 minutes. Enveloppez les copeaux de bois dans du papier d'aluminium et percez des trous sur le dessus de l'emballage. **SUIVEZ LES ÉTAPES DE LA PAGE SUIVANTE AVANT D'AJOUTER DES COPEAUX DE BOIS TREMPÉS.**

INSTRUCTIONS DE FONCTIONNEMENT

Copeaux de bois secs

Les copeaux de bois secs peuvent être placés directement sur le charbon allumé, qu'ils soient dans du papier d'aluminium ou non.

SUIVEZ LES ÉTAPES CI-DESSOUS AVANT D'AJOUTER DES COPEAUX DE BOIS SECS.

La quantité et l'essence de bois à utiliser dépendent entièrement de la concentration de saveur désirée. Veuillez vous reporter au tableau ci-dessous pour des conseils sur l'utilisation de copeaux de bois avec différents aliments.

Étape 1

Tenez-vous à l'écart et ouvrez doucement la porte du fumoir décalé pour permettre à la chaleur et à la vapeur de s'échapper loin de votre visage. Faites preuve de prudence, car des flammes peuvent jaillir lorsque de l'air frais entre soudainement en contact avec le feu. Il est possible d'ajouter du bois, soit en retirant les grilles de cuisson avec des mitaines de four ou gants résistants aux flammes OU en utilisant le tiroir d'accès latéral.

Étape 2

Muni de mitaines de four ou de gants résistants aux flammes, utilisez de longues pinces à cuisson en métal pour balayer doucement les cendres qui recouvrent les charbons ardents. Utilisez les longues pinces à cuisson en métal pour ajouter des copeaux de bois (ou des charbons) directement sur les charbons, en prenant soin de ne pas soulever de cendres et de ne pas provoquer d'étincelles.

 **AVERTISSEMENT : N'ajoutez jamais d'allume-feu liquide sur les charbons ardents ou même chauds, car cela pourrait provoquer un retour de flamme entraînant des blessures graves.**

Attendez que les braises aient complètement refroidi avant de réutiliser ou de nettoyer le barbecue ou le fumoir.

CONSEILS SUR LE FUMAGE

Le fumage d'aliments est différent de la cuisson normale. Le fumage se fait généralement lentement et à une température plus basse que la cuisson. La fumée produite par le bois s'infuse d'elle-même dans la viande, ce qui lui confère ce délicieux goût de fumée. La cuisson normale, elle, se fait beaucoup plus rapidement et à des températures plus élevées.

- Les petits copeaux de bois sont plus efficaces dans le tiroir à copeaux de bois.
- Utilisez des bois francs secs comme les bois de caryer, de pacanier, de pommier, de cerisier et de mesquite.
- Pour produire davantage de fumée et éviter la combustion trop rapide, trempez les copeaux de bois dans un bol d'eau à part pendant 30 minutes avant leur utilisation, ou enveloppez-les dans du papier d'aluminium perforé.
- L'aromatisation des aliments par la fumée se produit principalement pendant la première heure de cuisson.
L'ajout de copeaux de bois après la première heure de cuisson n'est généralement pas nécessaire, sauf si vous désirez un arôme de fumée plus prononcé.

Voici une liste des essences de bois les plus répandues pour le fumage des aliments, ainsi que quelques renseignements sur chacune d'elles :

Essence de bois	Aliment suggéré	Commentaires
Pommier	Toutes les viandes	Saveur douce, sucrée et légèrement fruitée. Chaque espèce de pommier confère aux aliments une saveur légèrement différente. Le bois de pommier produit un effet de brunissement qui rend la nourriture encore plus appétissante.
Amandier	Toutes les viandes	Produit une fumée sucrée avec des saveurs naturelles de noix.
Frêne	Poisson et viandes rouges	Saveur très douce.
Citrus	Porc et poulet	Les bois de citronnier et d'oranger confèrent aux aliments une saveur douce et fruitée.
Cerisier	Porc et bœuf	Saveur douce et fruitée.
Arbres fruitiers	Porc, volaille et poisson	Le bois d'arbres fruitiers, comme le pêcher, le poirier et le prunier, confère aux aliments une saveur douce, sucrée et légèrement fruitée.
Vigne	Volaille, gibier et agneau	Le bois de vigne dégage beaucoup de fumée et brûle longtemps en petite quantité. Il confère aux aliments une saveur acidulée et légèrement fruitée.
Caryer	Porc et bœuf	Le bois de caryer est sans doute le bois le plus apprécié des amateurs de fumage. La saveur qu'il produit est très prononcée; par conséquent, nous recommandons de l'utiliser en faible quantité pour commencer.
Érable	Porc et volaille	Saveur douce et sucrée.
Mesquite	Bœuf, poulet et poisson	Le bois de mesquite dégage une chaleur intense, alors soyez prudent. Tout comme le bois de caryer, il est très apprécié et confère aux aliments une saveur prononcée.
Chêne	Viandes rouges, gibier, côtes levées et poisson	Le bois de chêne produit également une fumée dense. Utilisez-en une faible quantité pour commencer.
Pacanier	Côtes levées et viandes rouges	Le bois de pacanier produit une fumée légère qui confère aux aliments une saveur sucrée et un goût de pacane.

SUGGESTIONS SUR LES TEMPÉRATURES DE FUMAGE ET DE CUISSON DE LA VIANDE

Températures de fumage

Des températures de fumage précises sont essentielles pour faire cuire les aliments de manière sécuritaire si vous ne disposez pas d'une sonde thermique. Veuillez noter que la jauge de température préinstallée est un outil acceptable pour le fumage des aliments, mais que ce n'est pas toujours le moyen idéal pour mesurer la température exacte de fumage, car il peut y avoir une différence de température à l'intérieur du fumoir entre les grilles de cuisson supérieure et inférieure. Veuillez également garder à l'esprit que les sondes de la majorité des jauges sont conçues pour mesurer la température à leur extrémité et non pour mesurer la température globale à l'intérieur du fumoir.

Autrement, il est recommandé que les utilisateurs se procurent une jauge de température à four ou un thermomètre à viande. Le thermomètre à viande est le moyen le plus efficace de déterminer quand les aliments ont atteint la température sécuritaire de cuisson.

Veuillez vous reporter au tableau ci-dessous pour connaître les températures de cuisson.

SUGGESTIONS DE TEMPÉRATURES DE FUMAGE

	Température de fumage suggérée	Température sécuritaire de cuisson
Porc, volaille et poisson		
Bœuf, veau et agneau (coupes entières et morceaux)		
Mi-saignant	107,2 °C (225 °F)	63 °C (145 °F)
À point	107,2 °C (225 °F)	71 °C (160 °F)
Bien cuit	107,2 °C (225 °F)	77 °C (170 °F)
Porc (jambon, longe de porc, côtes levées)		
Porc (coupes entières et morceaux)	107,2 °C à 115,6 °C (225 °F à 240 °F)	71 °C (160 °F)
Viandes hachées et mélanges de viande (hamburgers, saucisses, boulettes, plats en casserole et bœuf attendri mécaniquement)		
Bœuf, veau (y compris la viande attendrie mécaniquement), agneau et porc	121 °C à 149 °C (250 °F à 300 °F)	71 °C (160 °F)
Volaille (poulet et dinde)	121 °C à 149 °C (250 °F à 300 °F)	74 °C (165 °F)
Volaille (poulet, dinde, canard)		
Morceaux	121 °C (250 °F)	74 °C (165 °F)
Entière	115,6 °C (240 °F)	85 °C (185 °F)
Fruits de mer		
Poisson	107,2 °C à 115,6 °C (225 °F à 240 °F)	70 °C (158 °F)
Crustacés (crevettes, homard, crabe, pétoncles, palourdes, moules et huîtres)	107,2 °C à 115,6 °C (225 °F à 240 °F)	74 °C (165 °F)
Étant donné qu'il est difficile d'utiliser un thermomètre pour aliments pour mesurer la température des mollusques, jetez ceux dont la coquille n'a pas ouvert lors de la cuisson.		

	Température de fumage suggérée	Température sécuritaire de cuisson
Gibier		
Côtelettes, steaks et rôtis (cerf, wapiti, orignal, caribou/renne, antilope et antilope d'Amérique)		
Bien cuit	107,2 °C (225 °F)	77 °C (170 °F)
Grand gibier		
Ours, bison, bœuf musqué morse, etc.	121 °C à 149 °C (250 °F à 300 °F)	74 °C (165 °F)
Petit gibier		
Lièvre, rat musqué, castor, etc.	107,2 °C à 115,6 °C (225 °F à 240 °F)	74 °C (165 °F)
Viande hachée		
Viandes hachées et mélanges de viande	121 °C à 149 °C (250 °F à 300 °F)	74 °C (165 °F)
Venaison hachée et saucisse	121 °C à 149 °C (250 °F à 300 °F)	74 °C (165 °F)
Gibier à plumes/oiseaux aquatiques (dindon sauvage, canard, oie, perdrix et faisán)		
Entier	121 °C (250 °F)	82 °C (180 °F)
Poitrines et rôtis	121 °C (250 °F)	74 °C (165 °F)
Cuisses, ailes	121 °C (250 °F)	74 °C (165 °F)
Farce (cuite à part ou dans l'oiseau)	121 °C (250 °F)	74 °C (165 °F)

SÉCURITÉ ET ENTRETIEN APRÈS USAGE

AVERTISSEMENT

- Soyez prudent lorsque vous soulevez et déplacez l'appareil afin d'éviter les douleurs et les blessures.
- N'entreposez **PAS** l'appareil près d'essence ou d'autres liquides combustibles, ni dans des endroits où des vapeurs combustibles peuvent être présentes. Maintenez la zone entourant l'appareil propre et libre de tout matériau ou de toute vapeur combustibles.
- Ne rangez **PAS** l'appareil dans un endroit accessible aux enfants ou aux animaux. Rangez-le dans un endroit sec et protégé.
- Ne laissez **PERSONNE** mener des activités autour de l'appareil après son fonctionnement tant qu'il n'a pas refroidi. Il devient chaud pendant son fonctionnement et reste chaud pendant un certain temps après l'utilisation.
- Ne laissez **PAS** de cendres chaudes sans surveillance tant que l'appareil n'a pas complètement refroidi.
- Le barbecue et le fumoir décalé deviennent extrêmement chauds – laissez-les refroidir complètement avant de les manipuler. Laissez-les refroidir avant d'enlever et de nettoyer le récupérateur de graisse.
- Jetez les cendres **froides** en les enveloppant dans du papier d'aluminium très résistant et en les plaçant dans un contenant incombustible.
- Si vous devez jeter les cendres avant qu'elles n'aient complètement refroidi, retirez les cendres à l'aide de gants résistants à la chaleur, de même qu'à l'aide de pinces en métal ou d'une pelle à cendres Dyna-Glo (en option) ou autre. Placez les cendres dans du papier d'aluminium. Trempez-les complètement dans l'eau avant de les jeter dans un contenant incombustible.

MISE EN GARDE : Toutes les procédures d'entretien et de maintenance doivent être effectuées lorsque l'appareil a complètement refroidi. La maintenance doit toujours être confiée à un technicien qualifié.

Nettoyer les grilles de cuisson à l'aide d'eau chaude savonneuse. Rincez-les et essuyez-les bien. Il est préférable d'enduire les grilles de cuisson d'un peu d'huile ou d'aérosol de cuisson.

Pour nettoyer l'intérieur et l'extérieur de l'appareil, utilisez simplement un chiffon humide. Le lavage à l'aide d'un boyau d'arrosage n'est pas recommandé. L'humidité doit être essuyée et ne doit pas être tolérée à l'intérieur ou sur le dessus de l'appareil. Une fois l'appareil nettoyé, il est préférable d'enduire l'intérieur de la chambre de combustion d'un peu d'huile ou d'aérosol de cuisson.

S'il y a présence de rouille sur la surface extérieure de l'appareil, nettoyez la zone à l'aide d'une laine d'acier ou d'une toile d'émeri et utilisez de la peinture durable résistant à la chaleur.

N'appliquez JAMAIS de peinture supplémentaire à l'intérieur de l'appareil. S'il y a présence de rouille à l'intérieur de l'appareil, nettoyez-le bien à l'aide d'une laine d'acier ou d'une toile d'émeri et enduisez la zone d'un peu d'huile ou d'aérosol de cuisson pour aider à réduire la réapparition de la rouille.

Pour protéger l'appareil des conditions climatiques, couvrez-le toujours lorsque vous ne l'utilisez pas.

GARANTIE

Cet appareil est garanti contre les pièces brisées ou endommagées au moment de l'achat. Toutes les pièces sont couvertes par une garantie limitée d'un (1) an. La peinture est garantie contre les défauts pour une période de 90 jours, mais n'est pas garantie contre la rouille, qui pourrait apparaître après une utilisation répétée.

La garantie ne couvre pas les dommages et les problèmes causés par une négligence, une utilisation abusive ou des modifications apportées à l'appareil. La garantie ne couvre pas les coûts de main-d'œuvre.

Pour chaque pièce couverte par la garantie, une pièce de remplacement sera livrée sans frais selon la méthode choisie par GHP Group, Inc. (livraisons par voie terrestre, service postal des États-Unis ou services de colis postaux UNIQUEMENT). Tous les frais de manutention spéciaux (p. ex. 2 jours, jour suivant, etc.) relèvent de la responsabilité du consommateur.

Toutes les réclamations sous garantie s'appliquent uniquement à l'acheteur initial du produit et nécessitent une preuve d'achat qui indique la date d'achat. Ne retournez aucune pièce à l'adresse de GHP sans avoir obtenu au préalable un numéro d'autorisation de retour de la part du service à la clientèle. Pour obtenir ce service, appelez sans frais au 1 877 447-4768, entre 8 h 30 et 16 h 30 (HNC), du lundi au vendredi.

Les lois en vigueur dans certains États, provinces ou territoires n'autorisent pas l'exclusion ou la limitation des dommages consécutifs ou indirects, ou encore la limitation de la durée d'une garantie implicite et, par conséquent, les limitations et exclusions énoncées ci-dessus pourraient ne pas s'appliquer à vous. La présente garantie vous accorde des droits spécifiques reconnus par la loi et vous bénéficiez peut-être aussi d'autres droits, qui peuvent varier selon l'État, la province ou le territoire.

GHP Group, Inc.
6440 W. Howard St.
Niles, IL, États-Unis
60714-3302

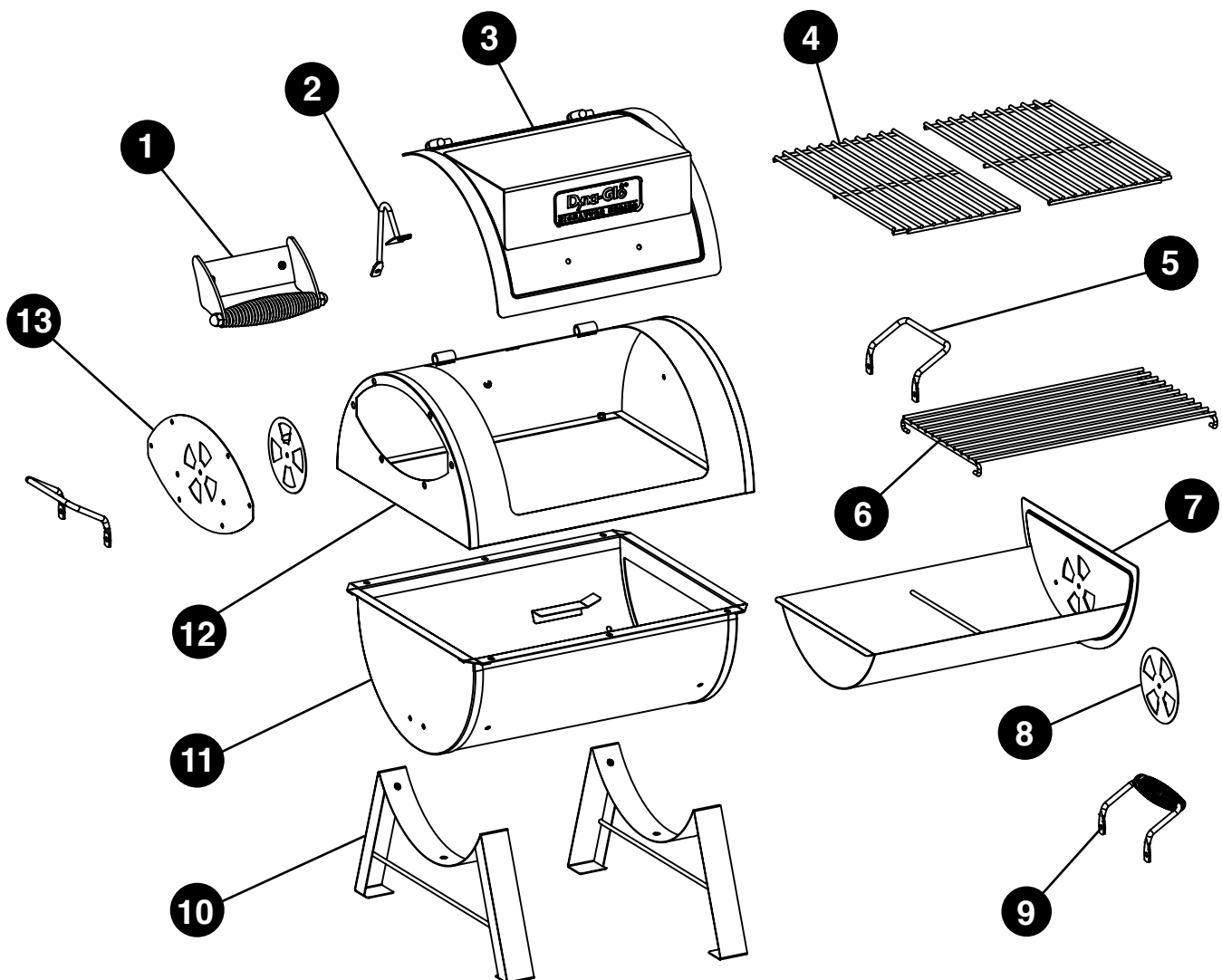
Nom de l'article : Barbecue au charbon haute-capacité et fumoir décalé
N° de modèle : DGSS287CB/DGSS287CB-D

LISTE DES PIÈCES DE RECHANGE

Pour obtenir des pièces de rechange, appelez notre service à la clientèle au 1 877 447-4768, entre 8 h 30 et 16 h 30 (HNC), du lundi au vendredi, ou écrivez à customerservice@ghpgroupinc.com.

PIÈCE	DESCRIPTION	NUMÉRO DE PIÈCE
1	Poignée du couvercle	70-01-584
2	Support du couvercle	70-01-528
3	Couvercle (sans poignée)	70-01-529
4	Grille de cuisson (1)	70-01-535
5	Poignée latérale – gauche/droite	70-01-563
6	Grille à charbon	70-01-536
7	Tiroir d'accès	70-01-533
8	Registre – tiroir et chambre de combustion (1)	70-01-593

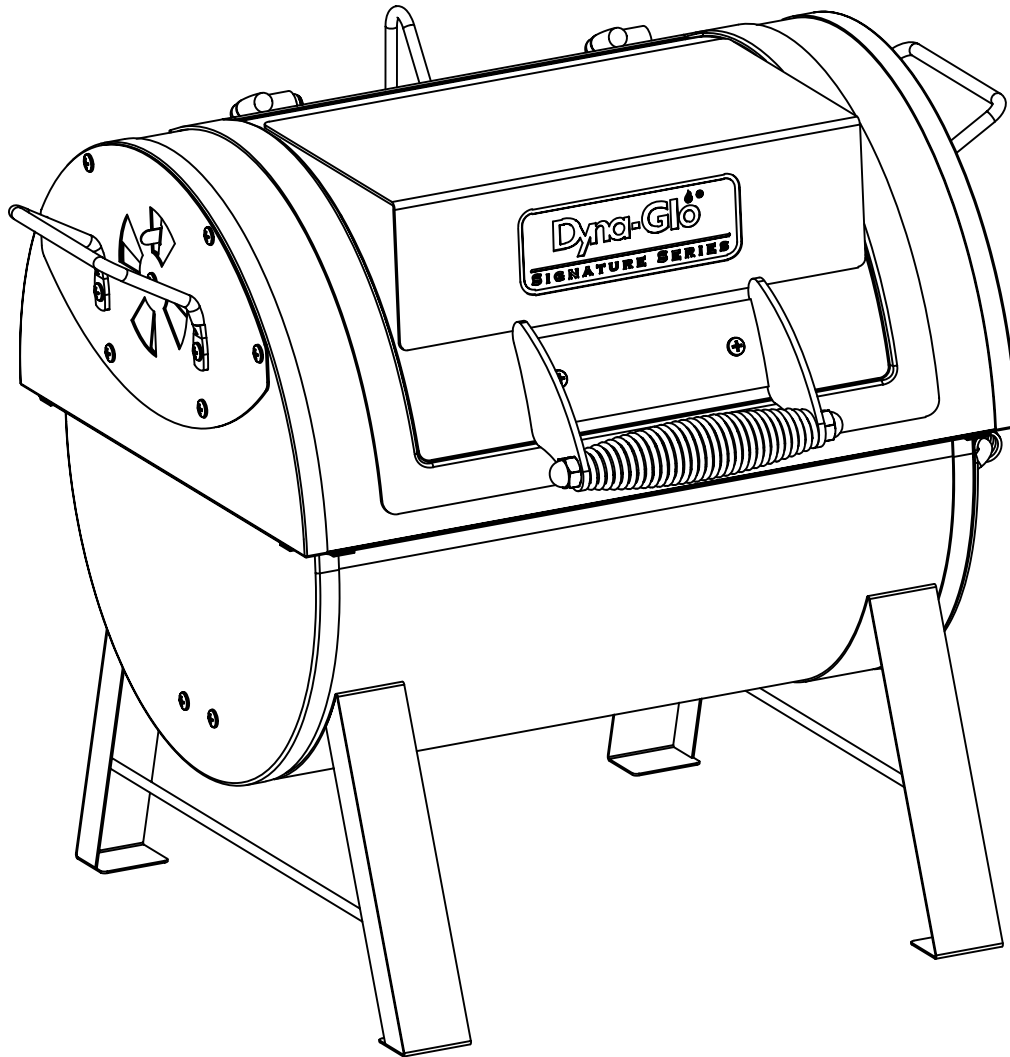
PIÈCE	DESCRIPTION	NUMÉRO DE PIÈCE
9	Poignée du tiroir d'accès	70-01-534
10	Pied – gauche/droit	70-01-564
11	Partie inférieure de la chambre de combustion	70-01-532
12	Partie supérieure de la chambre de combustion (sans le couvercle)	70-01-557
13	Plaque d'adaptation à la chambre de combustion	70-01-565
n/a	Trousse de matériel	70-09-516
n/a	Guide d'instruction	70-10-587





Resistente parrilla y ahumador lateral

MODELO N.º DGSS287CB-D /
DGSS287CB



ADJUNTE SU RECIBO AQUÍ

Número de serie _____ Fecha de compra _____



¿Dudas, problemas, piezas faltantes? Antes de volver a la tienda, llame a nuestro Departamento de Atención al Cliente al 1-877-447-4768, de lunes a viernes de 8:30 a 16:30 (hora central estándar), o escriba a customerservice@ghpgroupinc.com.

70-10-587


Rev. 12/19/16

CONTENIDO

Información de seguridad	48
Contenido del paquete	50
Herramientas y tornillería	51
Preparación	51
Instrucciones de ensamblaje	52
Instrucciones de funcionamiento	62
Consejos para ahumar	65
Cuidado y mantenimiento	67
Garantía	68
Lista de piezas de repuesto	69

INFORMACIÓN DE SEGURIDAD

Lea el manual entero atentamente antes de intentar ensamblar, poner en funcionamiento o instalar el producto. Si tiene alguna pregunta sobre el producto, llame a nuestro Departamento de Atención al Cliente al 1-877-447-4768, de lunes a viernes de 8:30 a 16:30 (hora central estándar), o escriba a customerservice@ghpgroupinc.com.

-  Tenga precaución al levantar y mover la unidad para evitar un esguince o lesión en la espalda. No mueva la unidad mientras esté en uso.
- **NO** ponga en funcionamiento la unidad cerca ni debajo de materiales combustibles o inflamables, como pisos de madera, galerías o cocheras.
 - La distancia mínima desde los laterales y la parte trasera hasta la estructura combustible debe ser de 36 pulgadas (91,4 cm).
 - **NO** ponga en funcionamiento la unidad debajo de techos.
 - **NO** utilice este ahumador y parrilla como calefactor.
 - Utilice la unidad sobre una superficie no combustible, estable y nivelada, por ejemplo, una superficie asfaltada, de cemento o tierra firme.
 - **NO** ponga en funcionamiento la unidad sobre material inflamable, como alfombra o pisos de madera.
 - Tenga precaución al ensamblar y utilizar esta unidad para evitar cortarse y raspase con los bordes.

INFORMACIÓN DE SEGURIDAD

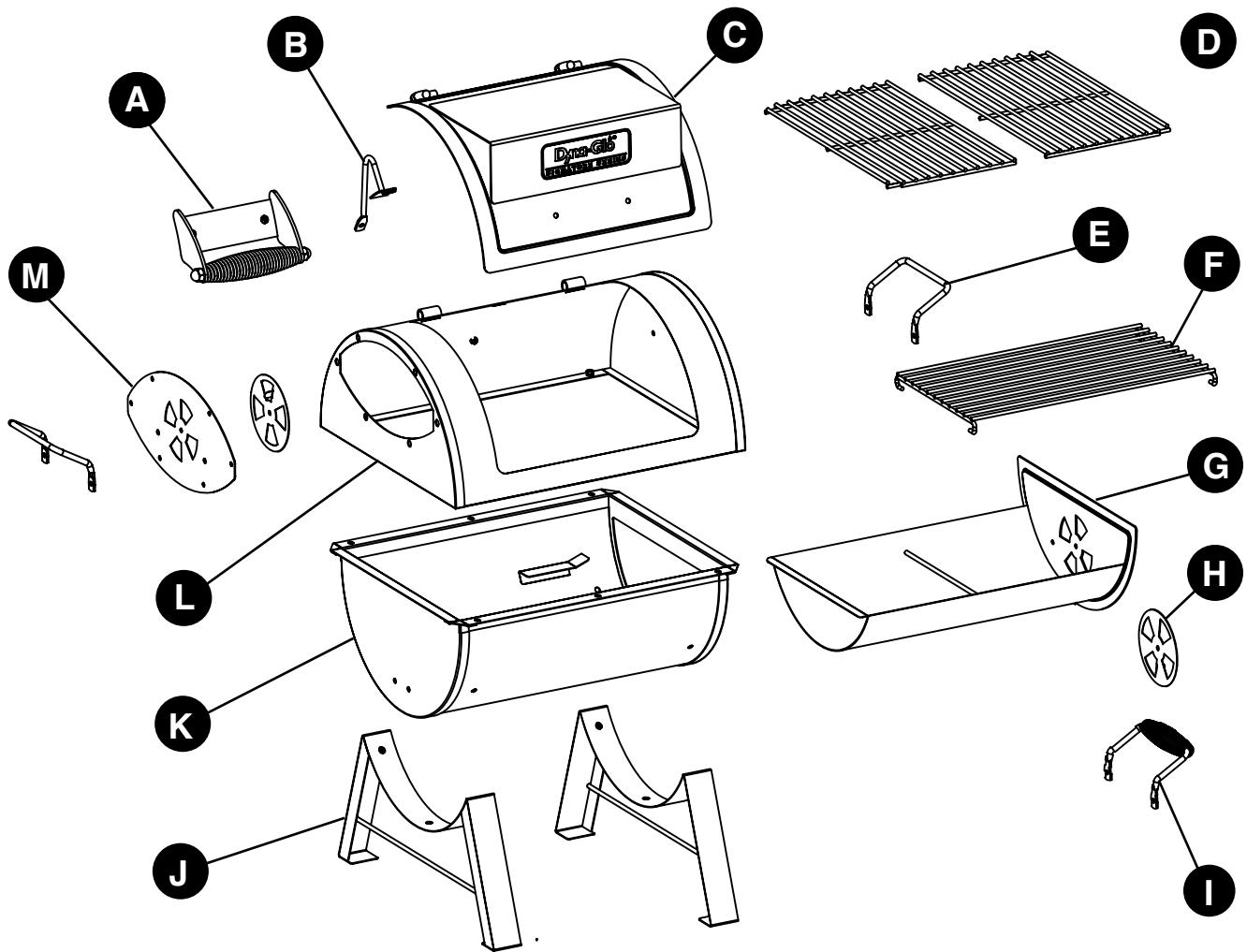
- **NO** utilice este producto con una finalidad para la que no fue diseñado. **NO** está diseñada para uso comercial. **NO** está diseñada para ser instalada o utilizada en interiores ni sobre casas rodantes o embarcaciones.
- **NO** guarde esta unidad cerca de gasolina u otros líquidos combustibles o donde podría haber otros vapores combustibles.
- **NO** utilice ni guarde esta unidad en un área a la que podrían acceder niños o mascotas. Guarde esta unidad en un lugar seco y protegido.
- **NO** deje desatendida la unidad mientras esté en uso.
- **NO** deje desatendidas las cenizas calientes hasta que la unidad se enfríe completamente.
- **NO** mueva la unidad mientras esté encendida o mientras las cenizas estén calientes. Deje que la unidad se enfríe completamente antes de moverla o guardarla.
- **NUNCA** utilice gasolina, kerosene, líquido combustible Zippo/Ronson ni otros líquidos altamente volátiles para encender la unidad.
- Siempre cocine los alimentos sobre la parrilla una vez que la llama se haya apagado.
- Deseche las cenizas frías envolviéndolas en una hoja de aluminio resistente y colocándolas en un contenedor no combustible. Asegúrese de que no haya otros materiales combustibles dentro o cerca del contenedor.
- Si debe desechar las cenizas antes de que estén completamente frías, quítelas de la unidad utilizando guantes termorresistentes junto con una pinza de metal larga o una pala para hogar. Coloque las brasas en una hoja de aluminio y mójelas por completo con agua antes de desecharlas en un contenedor no combustible.
- Deje que la unidad se enfríe completamente antes de realizar la limpieza o el mantenimiento de rutina.
- Este producto estará caliente durante y después del uso. Utilice manoplas o guantes aislantes para horno para protegerse de las superficies calientes o de las salpicaduras de los líquidos que se estén cocinando.
- Tenga precaución al abrir la puerta de la unidad durante el funcionamiento. Protéjase las manos, el rostro y el cuerpo del vapor caliente o de las llamaradas. **NO** inhale humo.
- **NO** use vestimentas sueltas mientras cocina en la unidad. Sujétese el cabello hacia atrás mientras cocina.
- **SIEMPRE** use calzado que le cubra completamente los pies mientras cocine en la unidad.
- **NUNCA** use vajilla de cristal ni utensilios de plástico o cerámica sobre la unidad ni dentro de ella. Use utensilios metálicos únicamente.
- El uso de accesorios que no estén diseñados para esta unidad no es recomendable y podría causar lesiones personales o daños materiales.

PROPOSICIÓN 65 DE CALIFORNIA

Los combustibles utilizados en los artefactos que queman madera y carbón, así como los productos de la combustión de esas sustancias, contienen productos químicos que, según el estado de California, pueden provocar cáncer, anomalías congénitas u otros daños reproductivos. Este producto contiene productos químicos, como plomo y compuestos de plomo, que, según el estado de California, pueden provocar cáncer, anomalías congénitas u otros daños reproductivos.

Lávese las manos después de manipular estos productos.

CONTENIDO DEL PAQUETE



PIEZA	DESCRIPCIÓN	CANTIDAD
A	Manija de la tapa	1
B	Abrazadera de la tapa	1
C	Tapa	1
D	Rejilla para cocinar	2
E	Manija lateral - Izquierda/derecha	2
F	Rejilla para carbón	1
G	Bandeja de acceso	1
H	Plato regulador - Bandeja y cámara de combustión	2
I	Manija de la bandeja de acceso	1
J	Conjunto de patas - Izquierda/derecha	2
K	Sección inferior de la cámara de combustión	1
L	Sección superior de la cámara de combustión	1
M	Plato adaptador de la cámara de combustión	1

HERRAMIENTAS Y TORNILLERÍA

AA

BB

CC



Perno
M6 x 12

Tuerca
M6

Contratuerca
M6

Cant. 29

Cant. 9

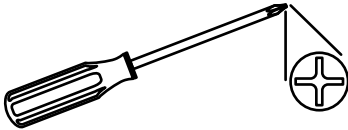
Cant. 2

PREPARACIÓN

Antes de comenzar a ensamblar el producto, asegúrese de tener todas las piezas. Compare las piezas con la lista del contenido del paquete, y con las herramientas y tornillería que figuran más arriba. No intente ensamblar el producto si falta una pieza o hay una pieza dañada. Comuníquese con el servicio de atención al cliente para obtener las piezas de repuesto.

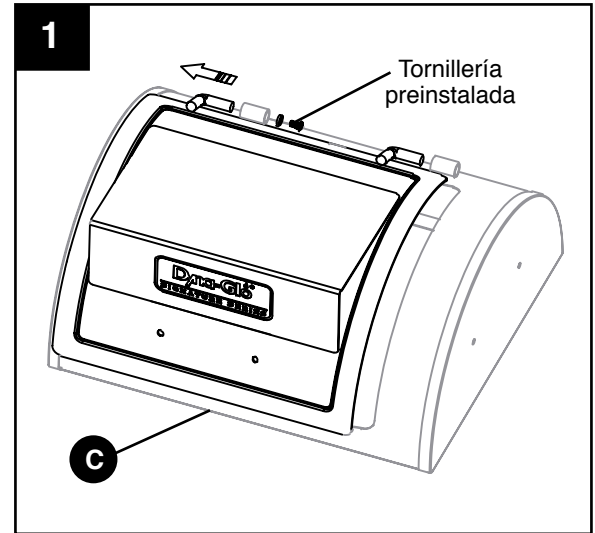
Tiempo estimado para el ensamblaje: 30 minutos

Herramientas requeridas para el ensamblaje (no incluidas): destornillador Phillips, llave ajustable

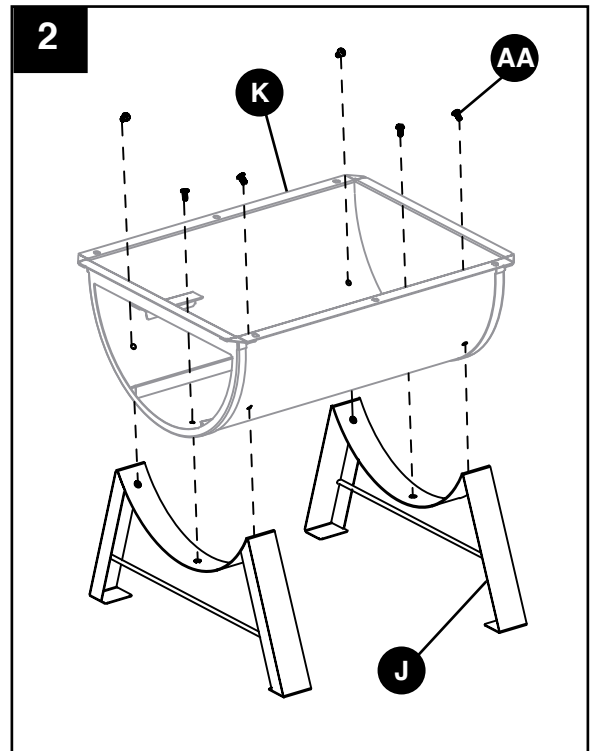


INSTRUCCIONES DE ENSAMBLAJE


1. Quite el perno y la arandela preinstalados de la bisagra izquierda de la tapa y deslice la tapa (C) hacia afuera de las bisagras.



2. Fije el conjunto de patas izquierda y derecha (J) a la sección inferior de la cámara de combustión (K) utilizando tres pernos M6 x 12 (AA) en cada pata.



Herramientas y tornillería utilizadas

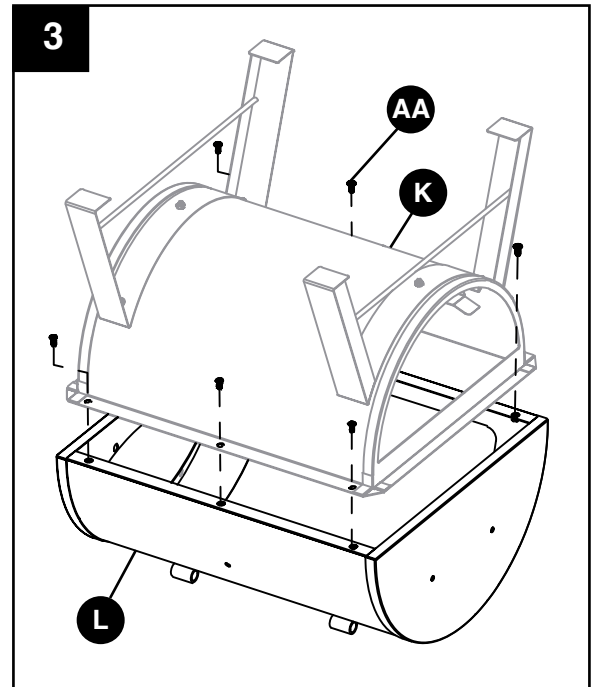
AA Perno M6 x 12 mm  x 6

INSTRUCCIONES DE ENSAMBLAJE

3. Fije la sección inferior de la cámara de combustión (K) a la sección superior (L) utilizando seis pernos M6 x 12 (AA).

Herramientas y tornillería utilizadas

AA Perno M6 x 12 mm  x 6

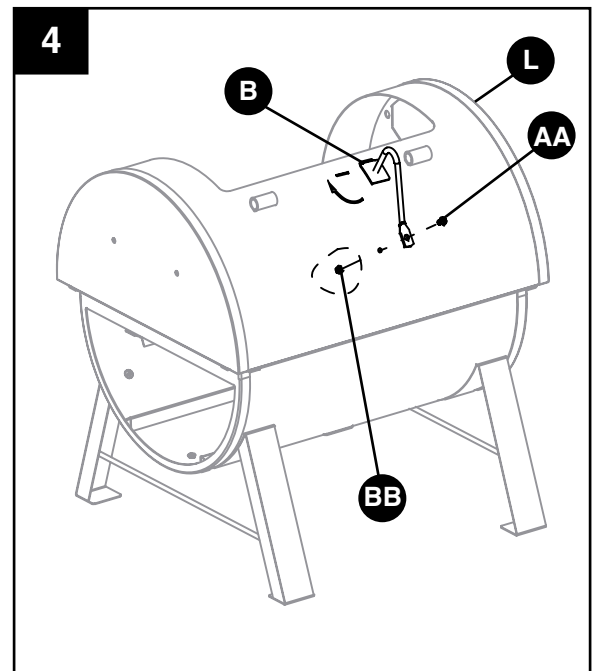


4. Inserte el borde de la abrazadera de la tapa (B) en la abertura ranurada de la sección superior de la cámara de combustión (L). Fíjela utilizando un perno M6 x 12 (AA) y una tuerca M6 (BB).

Herramientas y tornillería utilizadas

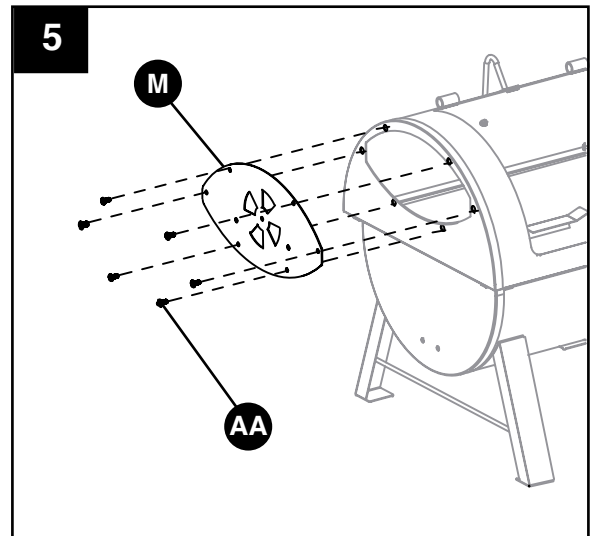
AA Perno M6 x 12 mm  x 1

BB Tuerca M6  x 1




INSTRUCCIONES DE ENSAMBLAJE

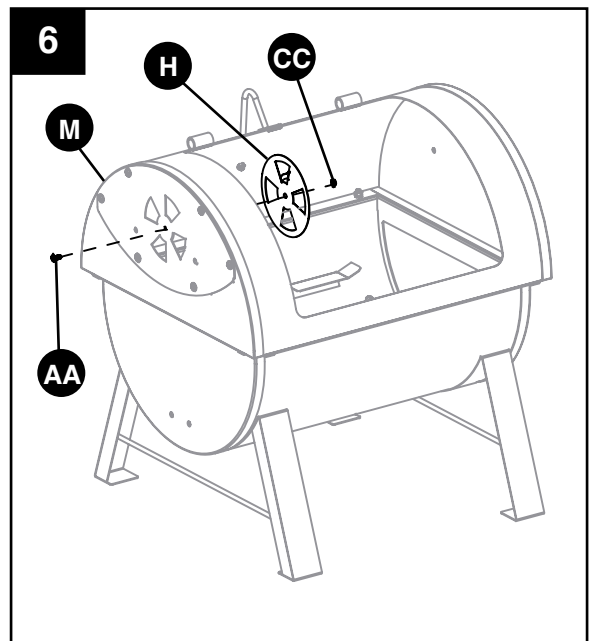
5. Fije el plato adaptador de la cámara de combustión (M) utilizando seis pernos M6 x 12 (AA).



Herramientas y tornillería utilizadas

- AA** Perno M6 x 12 mm  x 6

6. Fije el plato regulador (H) a la parte interior del plato adaptador (M) utilizando un perno M6 x 12 (AA) y una contratuerca M6 (CC).



Herramientas y tornillería utilizadas

- AA** Perno M6 x 12 mm  x 1
- CC** Contratuerca M6  x 1



INSTRUCCIONES DE ENSAMBLAJE

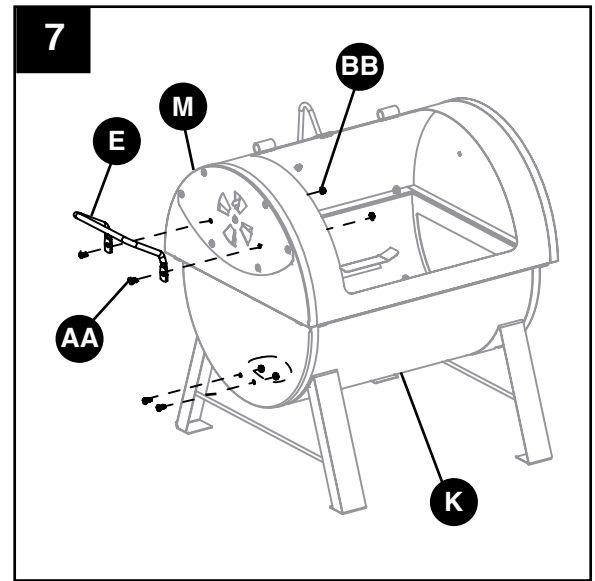
7. Fije la manija lateral (E) al plato adaptador (M) utilizando dos pernos M6 x 12 (AA) y dos tuercas M6 (BB).

Use dos pernos M6 x 12 (AA) y dos tuercas M6 (BB) para rellenar los dos orificios de la sección inferior de la cámara de la combustión (K).

Nota: La parrilla también puede utilizarse como ahumador lateral. Viene con orificios inferiores perforados para usar una abrazadera de soporte (no se incluye). Para obtener más información sobre el uso de esta parrilla como ahumador lateral, consulte la página 13.



Herramientas y tornillería utilizadas

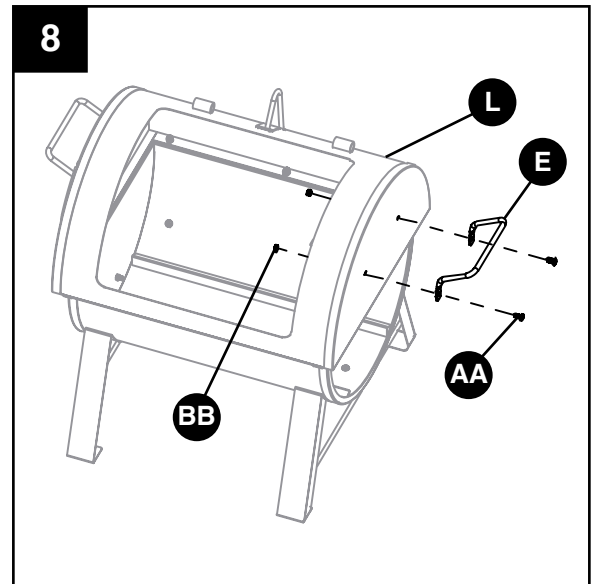
AA	Perno M6 x 12 mm		x 4
BB	Tuerca M6		x 4



8. Fije la otra manija lateral (E) a la sección superior de la cámara de combustión (L) utilizando dos pernos M6 x 12 (AA) y dos tuercas M6 (BB).

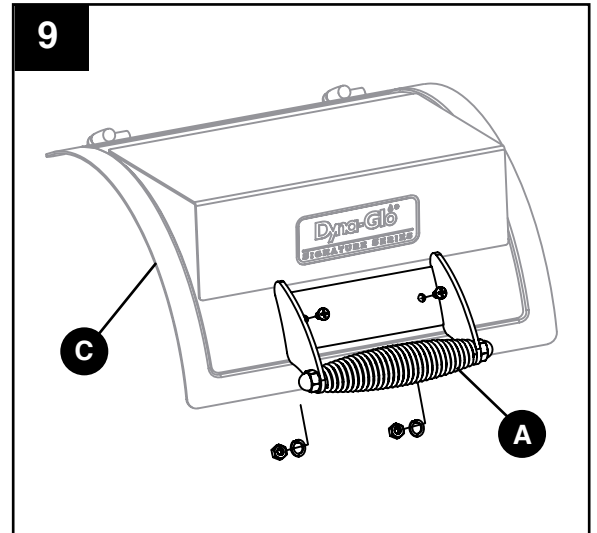
Herramientas y tornillería utilizadas

AA	Perno M6 x 12 mm		x 2
BB	Tuerca M6		x 2

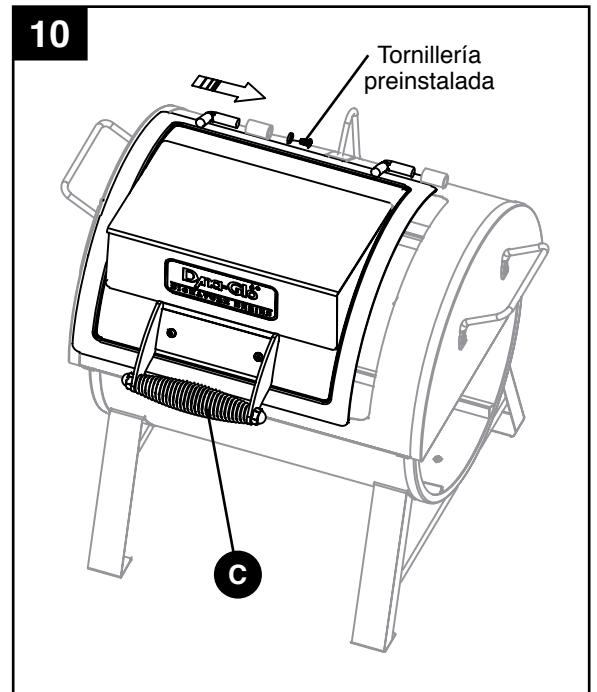


INSTRUCCIONES DE ENSAMBLAJE

9. Fije la manija de la tapa (A) a la tapa (C) utilizando los pernos, las arandelas y las tuercas preinstalados.





10. Vuelva a instalar la tapa (C) utilizando la arandela y el perno preinstalados.

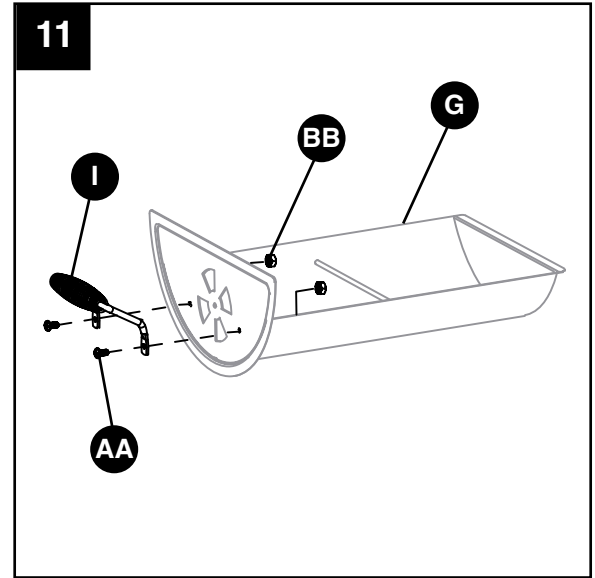


INSTRUCCIONES DE ENSAMBLAJE

11. Fije la manija de la bandeja de acceso (I) a la bandeja de acceso (G) utilizando dos pernos M6 x 12 (AA) y dos tuercas M6 (BB).



Herramientas y tornillería utilizadas

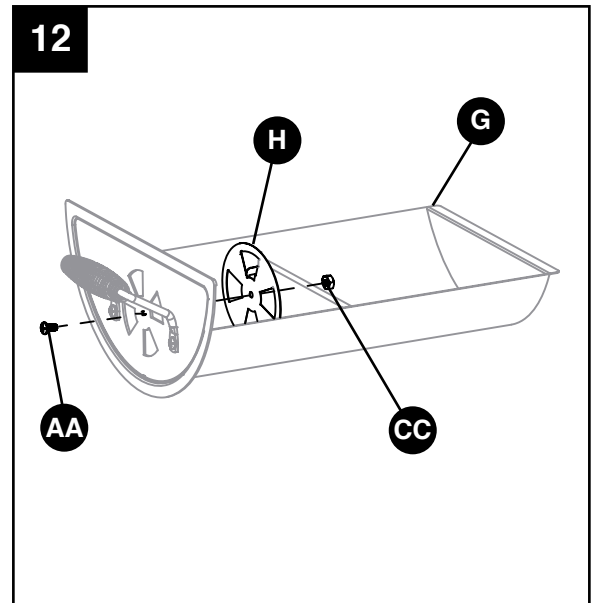
AA	Perno M6 x 12 mm		x 2
BB	Tuerca M6		x 2



12. Fije el plato regulador (H) a la parte interior de la bandeja de acceso (G) utilizando un perno M6 x 12 (AA) y una contratuerca M6 (CC).

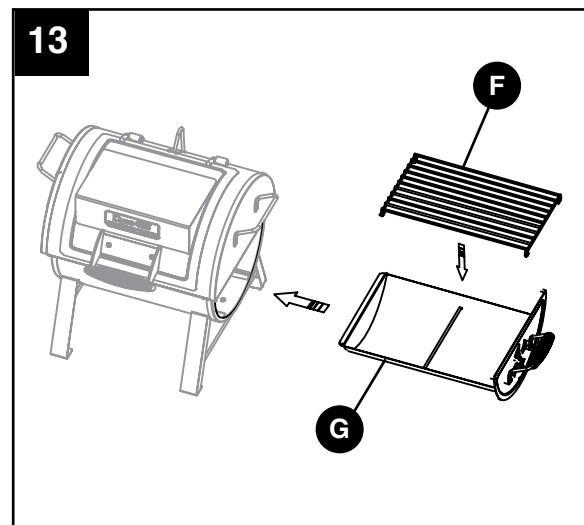
Herramientas y tornillería utilizadas

AA	Perno M6 x 12 mm		x 1
CC	Contratuerca M6		x 1

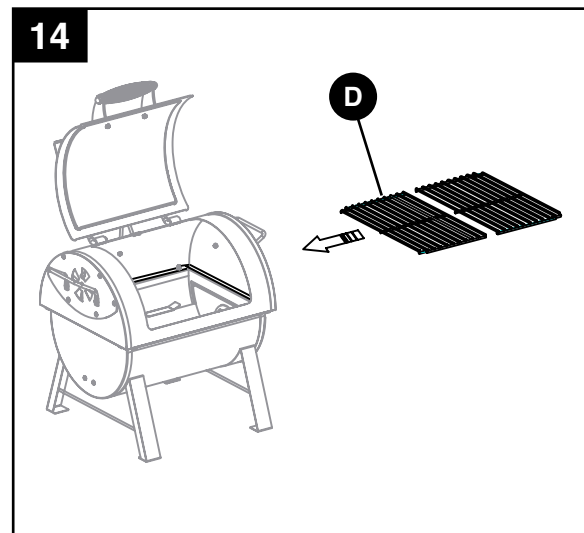


INSTRUCCIONES DE ENSAMBLAJE

13. Coloque la rejilla para carbón (F) dentro de la bandeja de acceso (G) y deslice la bandeja hacia el interior del ahumador lateral.



14. Coloque las rejillas para cocinar (D) en el carril superior de la cámara de combustión.



INSTRUCCIONES DE ENSAMBLAJE

Uso de la cámara de combustión como ahumador lateral (opcional).

Esta parrilla también puede utilizarse como ahumador lateral en los modelos de parrilla Dyna Glo DGSS675CB-D y DGSS443CB-D.

Paso opcional A.

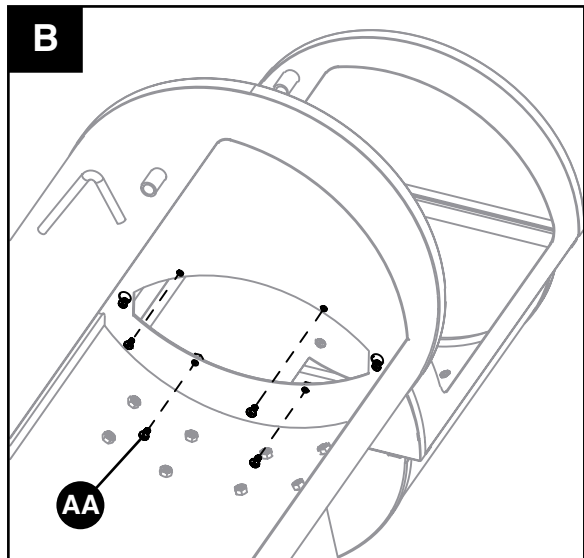
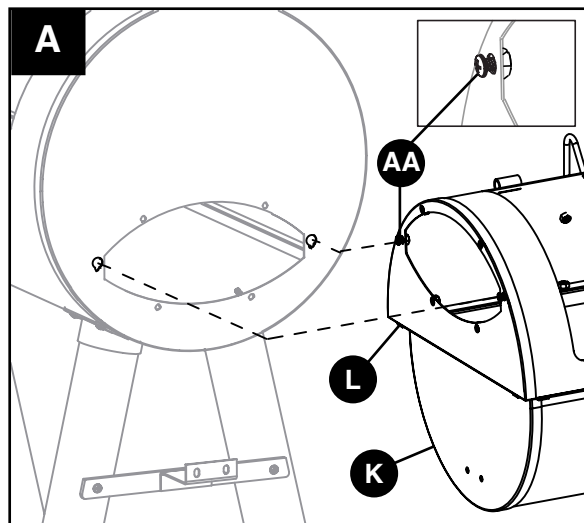
NOTA: Los conjuntos de patas (J) pueden permanecer en el ahumador lateral o retirarse antes de la instalación. Al retirar las patas, asegúrese de volver a insertar los pernos M6 × 12 en los orificios de la sección inferior de la estructura de la parrilla/ahumador (K).

Para instalar el ahumador lateral, retire la puerta de acceso del costado de la parrilla principal y el plato adaptador (pieza M, no se ilustra) de la sección superior del ahumador lateral (L). Vuelva a utilizar la tornillería del plato adaptador e inserte dos pernos M6 × 12 dejando expuesto por lo menos 1/4" (6 mm) del perno en los lados izquierdo y derecho de la abertura de la sección superior del ahumador (L). Inserte las cabezas de los pernos en los orificios bocallave del costado de la parrilla principal.

No apriete los pernos.

Paso opcional B.

Inserte los cuatro pernos M6 × 12 restantes en la estructura de la parrilla principal y apriete todos los pernos, incluidos los pernos laterales de los orificios bocallave.





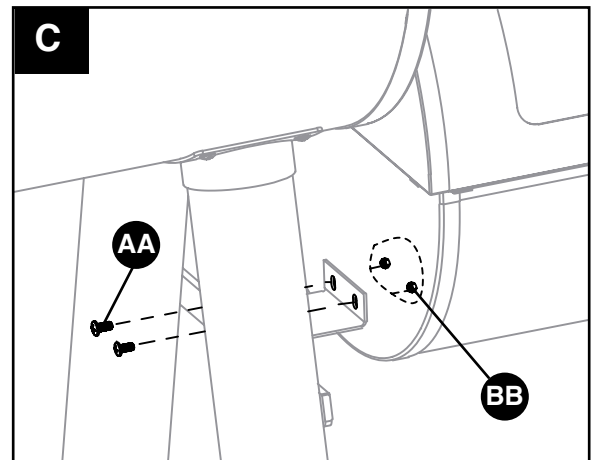
INSTRUCCIONES DE ENSAMBLAJE

Paso opcional C.

Fije el ahumador lateral a la abrazadera de soporte del conjunto lateral (no se incluye) utilizando los dos pernos M6 x 12 (AA) y las dos tuercas M6 (CC) que vienen en el paquete de herramientas y tornillería original.

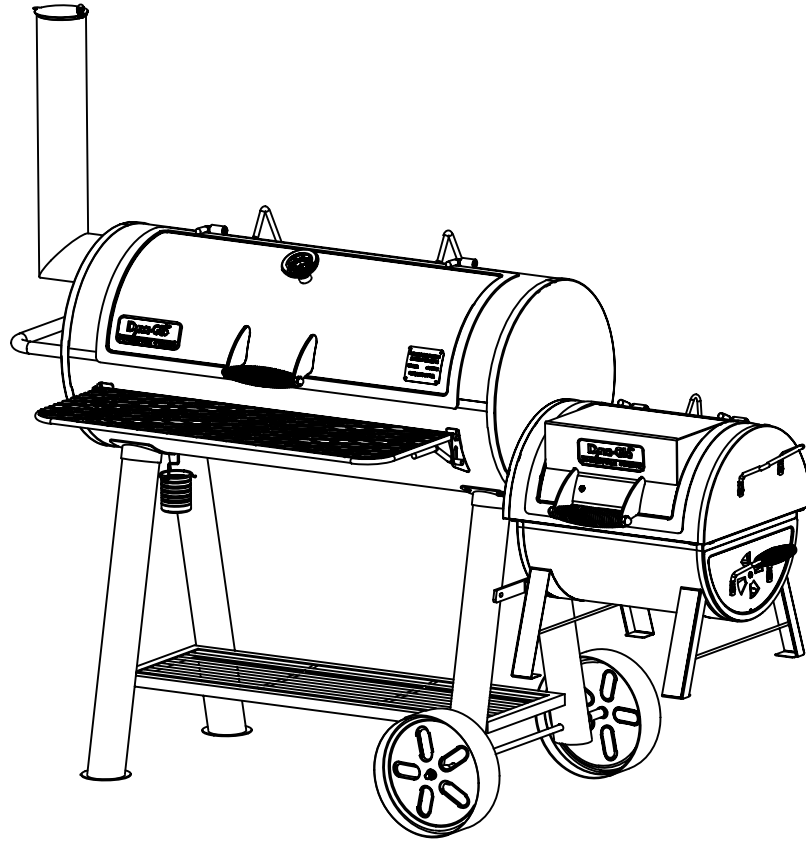
Herramientas y tornillería utilizadas

AA	Perno M6 x 12 mm		x 2
BB	Tuerca M6		x 2

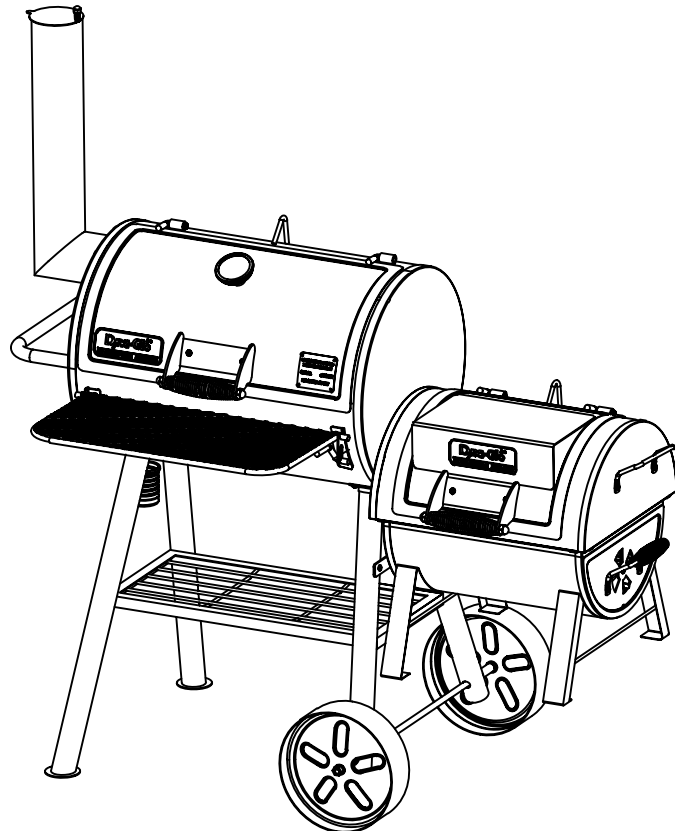


INSTRUCCIONES DE ENSAMBLAJE

DGSS675CB-D



DGSS443CB-D



INSTRUCCIONES DE FUNCIONAMIENTO

ANTES DE UTILIZAR LA UNIDAD POR PRIMERA VEZ

Quite todas las presillas o las fajas de plástico, si están presentes.

Es importante "curar" la parrilla antes de cocinar alimentos. Este proceso sella la pintura y el interior de la parrilla para mejorar el sabor, la durabilidad y el rendimiento en general. Para curar la parrilla, simplemente utilícela como lo haría normalmente, pero sin agregar alimentos. Deberá seguir los procedimientos de encendido y funcionamiento de las secciones siguientes de este manual.

Instrucciones de encendido para asar

Comience con al menos 2 lb (0,91 kg) de carbón (de 35 a 40 briquetas estándar).

Realice los ajustes necesarios cuando cocina en climas fríos, cuando hay mucho viento y/o cuando hay una cantidad considerable de precipitaciones.

Paso 1

Nota: Consulte la cantidad de líquido para encender carbón recomendada por el fabricante antes de aplicar el líquido a las briquetas. Para agregar carbón a la parrilla, se pueden quitar las rejillas para cocinar o se puede retirar la bandeja de acceso lateral. Apile el carbón en el medio de la rejilla para carbón. Las briquetas deben estar apiladas muy juntas para que se quemen con la máxima eficiencia. Empape el carbón con la cantidad de líquido para encender carbón recomendada por el fabricante del líquido. Luego de empapar el carbón, coloque el líquido para encender carbón a una distancia segura del ahumador. Deje que el líquido penetre en el carbón durante 3 minutos antes de encender. Asegúrese de que la bandeja de acceso esté colocada contra la pared trasera de la cámara de combustión antes del encendido.

Paso 2

Con la tapa de la parrilla abierta, aléjese de la unidad, encienda cuidadosamente el carbón y deje que se quemé hasta que quede cubierto de ceniza encendida (aproximadamente 20 minutos). Antes de cerrar la tapa de la parrilla principal y la tapa del conjunto lateral, debe dejar que el líquido para encender carbón se haya quemado completamente. (Si las dos tapas se cierran, el humo tenderá a acumularse en ambas cámaras de combustión). Abra ambos reguladores laterales para que circule aire durante el procedimiento de encendido.

Paso 3

Después de 20 a 25 minutos, el carbón estará listo para asar. Utilice guantes termorresistentes o manoplas para horno al colocar nuevamente las rejillas para cocinar en la parrilla. Consulte la sección siguiente antes de agregar viruta de madera al carbón preencendido.

Instrucciones de encendido para cocinar con el ahumador lateral

NO UTILICE CARBÓN TRATADO PREVIAMENTE CON LÍQUIDO ENCENDEDOR cuando use este producto como parrilla ahumador.

Cómo curar la parrilla

Utilizando la cantidad de carbón recomendada (que figura debajo), haga funcionar la parrilla durante 30 a 45 minutos como mínimo. Utilice solo carbón grueso o briquetas estándar sin tratamiento y utilice SOLO líquido aprobado para encender carbón. No utilice líquido combustible, solventes para pintura, gasolina, kerosene, alcohol ni otros materiales inflamables para encender el carbón. **Si se utiliza carbón con líquido encendedor, se podrían ocasionar daños en la unidad.**

INSTRUCCIONES DE FUNCIONAMIENTO

Instrucciones de encendido (continuación)

Comience con al menos 2 lb (0,91 kg) de carbón (de 35 a 40 briquetas estándar).

Realice los ajustes necesarios cuando cocina en climas fríos, cuando hay mucho viento y/o cuando hay una cantidad considerable de precipitaciones.

Paso 1

Nota: Consulte la cantidad de líquido para encender carbón recomendada por el fabricante antes de aplicar el líquido a las briquetas. Para agregar carbón a la cámara de combustión del conjunto lateral, se pueden quitar las rejillas para cocinar del conjunto lateral o se puede retirar la bandeja de acceso lateral. Apile el carbón en el medio de la rejilla para carbón del conjunto lateral. Las briquetas deben estar apiladas muy juntas para que se quemen con la máxima eficiencia. Empape el carbón con la cantidad de líquido para encender carbón recomendada por el fabricante del líquido. Luego de empapar el carbón, coloque el líquido para encender carbón a una distancia segura del ahumador. Deje que el líquido penetre en el carbón durante 3 minutos antes de encender. Asegúrese de que la bandeja de acceso esté colocada contra la pared trasera de la cámara de combustión antes del encendido.


Paso 2

Con **la tapa de la parrilla principal y la tapa del conjunto lateral abiertas**, aléjese de la unidad, encienda cuidadosamente el carbón y deje que se quemé hasta que quede cubierto de ceniza encendida (aproximadamente 20 minutos). Antes de cerrar la puerta de la cámara de combustión principal y la tapa del conjunto lateral, debe dejar que el líquido para encender carbón se haya quemado completamente. (Si las dos tapas se cierran, el humo tenderá a acumularse en ambas cámaras de combustión).

Paso 3

Después de 20 a 25 minutos, el carbón estará listo para cocinar y/o agregarle viruta de madera.

CÓMO AGREGAR VIRUTA DE MADERA (ANTES Y DURANTE LA COCCIÓN)

 **ADVERTENCIA:** Tenga precaución para evitar que se genere una llamarada cuando el aire fresco entre en contacto con el fuego. Al abrir la tapa del conjunto lateral, mantenga las manos, el rostro y el cuerpo a una distancia prudente del vapor caliente y las llamas.

Viruta de madera previamente remojada

Remoje la cantidad de viruta de madera deseada en agua durante 30 minutos. Envuelva la viruta de madera en una hoja de aluminio y realice orificios en la parte superior del envoltorio. **SIGA LOS PASOS QUE FIGURAN EN LA PRÓXIMA PÁGINA ANTES DE AGREGAR VIRUTA DE MADERA PREVIAMENTE REMOJADA.**

INSTRUCCIONES DE FUNCIONAMIENTO

Viruta de madera seca

La viruta de madera seca se puede colocar directamente en el carbón preencendido, con o sin la hoja de aluminio. **SIGA LOS PASOS QUE FIGURAN A CONTINUACIÓN ANTES DE AGREGAR VIRUTA DE MADERA SECA.**

La cantidad y el tipo de madera utilizada dependen completamente de la intensidad de sabor que se desea lograr. Consulte el gráfico de la página siguiente para obtener consejos sobre cómo combinar la viruta de madera con distintos tipos de alimentos.

Paso 1

Aléjese de la unidad y abra cuidadosamente la tapa del conjunto lateral para dejar escapar el calor y el vapor. Tenga precaución para evitar que se genere una llamarada cuando el aire fresco entra en contacto con el fuego. Para agregar madera, se pueden quitar las rejillas para cocinar utilizando manoplas o guantes resistentes a las llamas O se puede utilizar la bandeja lateral extraíble.

Paso 2

Con manoplas o guantes resistentes a las llamas y utilizando una pinza de metal larga, aparte ligeramente las cenizas de las brasas. Utilice la pinza de metal larga para agregar viruta de madera (y/o carbón) directamente sobre el carbón. Tenga cuidado de no agitar las cenizas ni las chispas.

 **ADVERTENCIA: Nunca agregue líquido para encender carbón a las brasas calientes, ni siquiera a las brasas templadas, porque el retroceso de la llama podría causar quemaduras graves.**

Permita que las cenizas se enfríen completamente antes de volver a utilizar o limpiar la parrilla o el ahumador.

CONSEJOS PARA AHUMAR

El proceso para ahumar alimentos es distinto del proceso para asar alimentos. En general, el proceso para ahumar se realiza lentamente y a una temperatura más baja que el proceso para asar. El humo producido por la madera penetra en la carne dándole ese exquisito sabor ahumado. El proceso para asar es un proceso de cocción mucho más rápido que se realiza a temperaturas más altas.

- La viruta pequeña funciona mejor adentro de la bandeja para viruta.
- Utilice madera dura seca como nogal, pecán, manzano, cerezo o mezquite.
- Para producir más humo y evitar el quemado rápido, sumerja la viruta previamente en un recipiente con agua durante al menos 30 minutos y/o envuélvala en una hoja de aluminio perforada.
- La mayor parte del sabor ahumado se produce durante la primera hora de cocción. **En general, no es necesario agregar viruta de madera después de la primera hora, a menos que se desee lograr un sabor ahumado extra.**

A continuación, se muestra una lista de las maderas más utilizadas para ahumar y algunos datos sobre cada tipo.

Tipo de madera	Alimento sugerido	Comentarios
Manzano	Todas las carnes	Sabor suave y dulce con un leve toque de sabor frutal. Cada una de las especies de madera de manzano ofrecerá un sabor ligeramente diferente. El humo del manzano produce un atractivo efecto dorado.
Almendro	Todas las carnes	Produce un humo dulce con un sabor almendrado natural.
Fresno	Pescado y carnes rojas	Sabor muy suave.
Cítrico	Cerdo y pollo	La madera de limonero y naranjo produce un suave sabor frutal.
Cerezo	Cerdo y carne de vaca	Sabor suave y frutal.
Madera de frutal	Cerdo, aves de corral y pescado	Las maderas como las del duraznero, del peral y del ciruelo producen un suave y dulce humo con un toque de sabor frutal.
Parra	Aves de corral, carne de caza y cordero	La madera de parra produce mucho humo. Una pequeña cantidad dura mucho. Produce un sabor agrio con un toque de sabor frutal.
Nogal	Cerdo y carne de vaca	Se podría decir que el nogal es la madera favorita para ahumar. El nogal produce un sabor muy fuerte por lo que recomendamos comenzar lentamente con esta madera.
Arce	Cerdo y aves de corral	Suave y dulce.
Mezquite	Carne de vaca, pollo y pescado	Tenga cuidado porque esta madera alcanza mucha temperatura. Al igual que el nogal, el mezquite es muy utilizado y produce un sabor fuerte.
Roble	Carnes rojas, carne de caza, costillas y pescado	Otra madera que produce un humo pesado. Comience lentamente con esta madera.
Pecán	Costillas y carnes rojas	Produce un humo leve que ofrece un sabor dulce a nueces.

TEMPERATURAS SUGERIDAS PARA AHUMAR Y PARA LA CARNE

Temperaturas para ahumar

Una temperatura precisa para ahumar es fundamental para cocinar los alimentos de forma segura cuando no se dispone de una sonda térmica para carne. Tenga en cuenta que el indicador de temperatura instalado de fábrica es una herramienta aceptable para ahumar alimentos, pero no siempre es el medio ideal para medir la temperatura más precisa para ahumar, ya que las temperaturas internas del ahumador pueden variar entre las rejillas para cocinar superior e inferior. También tenga en cuenta que las sondas térmicas que se utilizan en la mayoría de los indicadores están diseñadas para medir la temperatura en la punta de la sonda y no la temperatura total del ahumador.

Como alternativa, se recomienda que los usuarios adquieran, como accesorio, un indicador de temperatura listo para horno o un termómetro para carne. Los termómetros para carne son la manera más eficaz de determinar cuándo los alimentos están cocidos a la temperatura mínima requerida para el consumo seguro. Consulte el siguiente cuadro para conocer las temperaturas de cocción.

TEMPERATURAS SUGERIDAS PARA AHUMAR

	Temperaturas sugeridas para ahumar	Temperaturas mínimas seguras para los alimentos		Temperaturas sugeridas para ahumar	Temperaturas mínimas seguras para los alimentos
Carne, aves de corral, pescado			Carne de caza		
Carne de vaca, ternera y cordero (piezas y cortes enteros)			Chuletas, filetes y asado (ciervo, alce, alce americano, caribú/reno, antílope y antilocapra)		
Jugosa	225 °F (107,2 °C)	145 °F (63 °C)	Bien cocida	225 °F (107,2 °C)	170 °F (77 °C)
A punto	225 °F (107,2 °C)	160 °F (71 °C)	Caza mayor		
Bien cocida	225 °F (107,2 °C)	170 °F (77 °C)	Oso, bisonte, buey almizclero, morsa, etc.	250 °F - 300 °F (121 °C - 149 °C)	165 °F (74 °C)
Cerdo (jamón, lomo, costillas)			Caza menor		
Cerdo (piezas y cortes enteros)	225 °F - 240 °F (107,2 °C - 115,6 °C)	160 °F (71 °C)	Conejo, rata almizclera, castor, etc.	225 °F - 240 °F (107,2 °C - 115,6 °C)	165 °F (74 °C)
Carne picada y mezcla de carnes (hamburguesas, salchichas, albóndigas, pastel de carne, guisos y carne de vaca tiernizada mecánicamente)			Carne picada		
Carne de vaca, ternera (incluida la carne tiernizada mecánicamente), cordero y cerdo	250 °F - 300 °F (121 °C - 149 °C)	160 °F (71 °C)	Carne picada y mezclas de carnes	250 °F - 300 °F (121 °C - 149 °C)	165 °F (74 °C)
Aves de corral (pollo y pavo)	250 °F - 300 °F	165 °F (74 °C)	Carne de venado picada y salchicha	250 °F - 300 °F (121 °C - 149 °C)	165 °F (74 °C)
Aves de corral (pollo, pavo, pato)			Aves de caza/aves acuáticas (pavo salvaje, pato, ganso, perdiz y faisán)		
Piezas	250 °F (121 °C)	165 °F (74 °C)	Entero	250 °F (121 °C)	180 °F (82 °C)
Entero	240 °F (115,6 °C)	185 °F (85 °C)	Pechugas y asado	250 °F (121 °C)	165 °F (74 °C)
Pescado y mariscos			Muslos, alas	250 °F (121 °C)	165 °F (74 °C)
Pescado	225 °F - 240 °F (107,2 °C - 115,6 °C)	158 °F (70 °C)	Relleno (cocinado solo o en el ave)	250 °F (121 °C)	165 °F (74 °C)
Mariscos (camarón, langosta, cangrejo, vieiras, almejas, mejillones y ostras)	225 °F - 240 °F (107,2 °C - 115,6 °C)	165 °F (74 °C)			
Dado que es difícil utilizar un termómetro de alimentos para verificar la temperatura de los mariscos, deseche los mariscos que no se abren durante la cocción.					

CUIDADO Y MANTENIMIENTO

SEGURIDAD Y MANTENIMIENTO DESPUÉS DEL USO

ADVERTENCIA

- Tenga precaución al levantar y mover la unidad para evitar lesiones por esfuerzo.
- **NO** guarde la unidad cerca de gasolina u otros líquidos combustibles o donde podría haber vapores combustibles. Asegúrese de que no haya materiales ni vapores combustibles en el área donde se encuentra el artefacto.
- **NO** guarde este artefacto en un área a la que podrían acceder niños o mascotas. Guarde el artefacto en un lugar seco y protegido.
- **NO** deje que nadie realice actividades cerca del artefacto después de haberlo utilizado sin que se haya enfriado. Se calienta durante el uso y permanece caliente por un tiempo después del uso.
- **NO** deje desatendidas las cenizas calientes hasta que el artefacto se enfríe completamente.
- La parrilla y la estructura del ahumador lateral se calientan mucho; deje que el artefacto se enfríe completamente antes de manipularlo. Deje que la parrilla y la estructura del ahumador lateral se enfríen antes de extraer y limpiar la grasera.
- Deseche las cenizas **frías** envolviéndolas en una hoja de aluminio resistente y colocándolas en un contenedor no combustible.
- Si debe desechar las cenizas antes de que estén completamente frías, quite las cenizas utilizando guantes termorresistentes y una pala para cenizas Dyna Glo (si la unidad está equipada con una), pinza de metal o pala para hogar. Coloque las cenizas en una hoja de aluminio. Moje las cenizas por completo con agua antes de desecharlas en un contenedor no combustible.

PRECAUCIÓN: Todos los procedimientos de cuidado y mantenimiento se realizarán con la unidad completamente fría. Al mantenimiento siempre lo debe realizar un técnico calificado.

Limpie las rejillas para cocinar con agua caliente y jabonosa. Enjuague y seque bien. Si lo desea, puede cubrir las rejillas para cocinar con una pequeña capa de aceite comestible líquido o en aerosol.

Para limpiar el interior y el exterior de la unidad, utilice solo un paño húmedo. No es recomendable realizar un lavado por aspersion con manguera. Se debe secar la humedad y asegurarse de que el interior y la parte superior de la unidad no queden húmedos. Luego de la limpieza, si lo desea, puede cubrir el interior de la cámara de combustión con una capa fina de aceite comestible líquido o en aerosol.

Si hay óxido en la superficie exterior de la unidad, limpie el área con lana de acero o tela de esmeril y utilice una pintura sólida resistente al calor.

NUNCA aplique pintura adicional en el interior de la unidad. Si hay óxido en el interior de la unidad, límpielo bien con una estopa metálica o tela de esmeril y cubra el área con una capa fina de aceite comestible líquido o en aerosol para minimizar la posibilidad de que se vuelva a oxidar.

Para proteger la unidad de las condiciones climáticas, manténgala siempre cubierta cuando no esté en uso.

GARANTÍA

Esta unidad está garantizada contra piezas rotas o dañadas en el momento de la compra. Todas las piezas tienen una garantía limitada por un (1) año. La pintura tiene una garantía contra defectos por 90 días, a excepción del óxido, que podría aparecer después de varios usos.

Esta garantía no cubre los daños o problemas relacionados con negligencia, uso indebido o modificaciones realizadas al artefacto. El trabajo de reparación no está cubierto.

Todas las piezas que cumplan con los requisitos de la garantía serán enviadas sin cargo a través de un medio seleccionado por GHP Group Inc. (envíos terrestres, correo de EE. UU. o servicio de encomiendas ÚNICAMENTE). Los cargos de entrega especial (es decir, entrega de segundo día, antes del mediodía, etc.) serán responsabilidad del consumidor.

Todos los reclamos bajo la garantía solo se aplican al comprador original y requieren una prueba de la compra que verifique la fecha de compra. No devuelva piezas a la dirección de GHP sin antes obtener el número de autorización de devolución emitido por nuestro servicio al cliente. Este servicio está disponible a través del número gratuito 1-877-447-4768, de lunes a viernes de 8:30 a 16:30 (hora central estándar).

Algunos estados no permiten la exclusión o limitación de daños incidentales o daños indirectos por el tiempo que dura una garantía implícita. Por lo tanto, es posible que las limitaciones o exclusiones mencionadas no se apliquen en su caso. Esta garantía otorga derechos legales específicos, y podría haber otros derechos aplicables según el estado.

GHP Group Inc.
6440 W. Howard Street
Niles, IL, EE. UU.
60714-3302

Nombre del artículo: Resistente parrilla a carbón y ahumador lateral
N.º de modelo: DGSS287CB/DGSS287CB-D

LISTA DE PIEZAS DE REPUESTO

Para obtener piezas de repuesto, llame a nuestro Departamento de Atención al Cliente al 1-877-447-4768, de lunes a viernes de 8:30 a 16:30 (hora central estándar), o escriba a customerservice@ghpgroupinc.com.

PIEZA	DESCRIPCIÓN	N.º DE PIEZA
1	Manija de la tapa	70-01-584
2	Abrazadera de la tapa	70-01-528
3	Tapa (sin manija)	70-01-529
4	Rejilla para cocinar (1 pieza)	70-01-535
5	Manija lateral - Izquierda/derecha	70-01-563
6	Rejilla para carbón	70-01-536
7	Bandeja de acceso	70-01-533
8	Plato regulador - Bandeja y cámara de combustión (1 pieza)	70-01-593

PIEZA	DESCRIPCIÓN	N.º DE PIEZA
9	Manija de la bandeja de acceso	70-01-534
10	Conjunto de patas - Izquierda/derecha	70-01-564
11	Sección inferior de la cámara de combustión	70-01-532
12	Sección superior de la cámara de combustión (sin tapa)	70-01-557
13	Plato adaptador de la cámara de combustión	70-01-565
n/a	Paquete de herramientas y tornillería	70-09-516
n/a	Manual de instrucciones	70-10-587

