



Item #'s 215583, 468213,
1000064498, 1001362798,
1005748381
Model #N2316

USE AND CARE GUIDE

HIGH EFFICIENCY ELONGATED DUAL FLUSH TOILET



Questions, problems, missing parts?
Before returning to the store,
call Glacier Bay Customer Service

1-855-HD-GLACIER

8 a.m. – 7 p.m., EST, Monday-Friday,
9 a.m. – 6 p.m., EST, Saturday

HOMEDEPOT.COM/GLACIERBAY

THANK YOU

We appreciate the trust and confidence you have placed in Glacier Bay through the purchase of this toilet. We strive to continually create quality products designed to enhance your home. Visit us online to see our full line of products available for your home improvement needs. Thank you for choosing Glacier Bay!

Before you begin



3D-GUIDED INTERACTIVE ASSEMBLY
INSTRUCTIONS CAN BE FOUND IN **BILT**[®]
DOWNLOAD THE **FREE** APP



Table of Contents

Table of Contents.....	2	Installation.....	5
Safety Information.....	2	Care and Cleaning.....	8
Warranty.....	2	Troubleshooting.....	8
Pre-Installation.....	3	Replacement Parts List.....	9
Planning Installation.....	3		
Tools required.....	3	Spanish (Español).....	11-19
Hardware Included.....	3		
Package Contents.....	4		

Safety Information



WARNING: Handle with care. Vitreous chinaware is glasslike with sharp edges if broken. Do not drop, handle roughly, or overtighten bolts.



WARNING: Risk of hazardous gases. If a new toilet is not installed immediately, temporarily plug the floor flange hole with a towel (or cover) to block sewer gases from escaping.



CAUTION: Observe local plumbing and building codes.

Warranty

LIMITED LIFETIME WARRANTY

Glacier Bay products are manufactured with superior quality standards and workmanship and are backed by our limited lifetime warranty. Glacier Bay products are warranted to the original consumer purchaser to be free of defects in materials or workmanship. We will replace FREE OF CHARGE any product or parts that prove defective. Simply, return the product / part to any of The Home Depot retail locations or call 1-855-HD-GLACIER (1-855-434-5224) to receive the replacement item. Proof of purchase (original sales receipt) from the original consumer purchaser must be made available for all Glacier Bay warranty claims.

This warranty excludes incidental/inconsequential damages and failures due to misuse, abuse or normal wear and tear. This warranty excludes all industrial, commercial and business usage, whose purchasers are hereby, extended a five year limited warranty from the date of purchase, with all other terms of this warranty applying except the duration of warranty.

Some states and provinces do not allow the exclusion or limitation of incidental or consequential damages, so the above limitations may not apply to you. This warranty gives you specific legal rights and you may also have other rights that vary from state to state and province to province. Please see a store or contact 1-855-HD-GLACIER for more details.

Contact the Customer Service Team at 1-855-HD-GLACIER or visit WWW.HOMEDEPOT.COM/GLACIERBAY

Pre-Installation

PLANNING INSTALLATION

Before beginning installation of this product, make sure all parts are present. Compare parts with the Hardware Included and Package Contents lists. If any part is missing or damaged, do not attempt to assemble, install, or operate the product. Contact customer service for replacement parts.

Estimated Assembly Time: 60 minutes

TOOLS REQUIRED



Putty knife



Carpenter's level



Toilet water supply line

HARDWARE INCLUDED



NOTE: Hardware not shown to actual size.



AA



BB



CC



DD



EE



FF



GG



HH



II



JJ



KK



LL



MM



NN



OO



PP

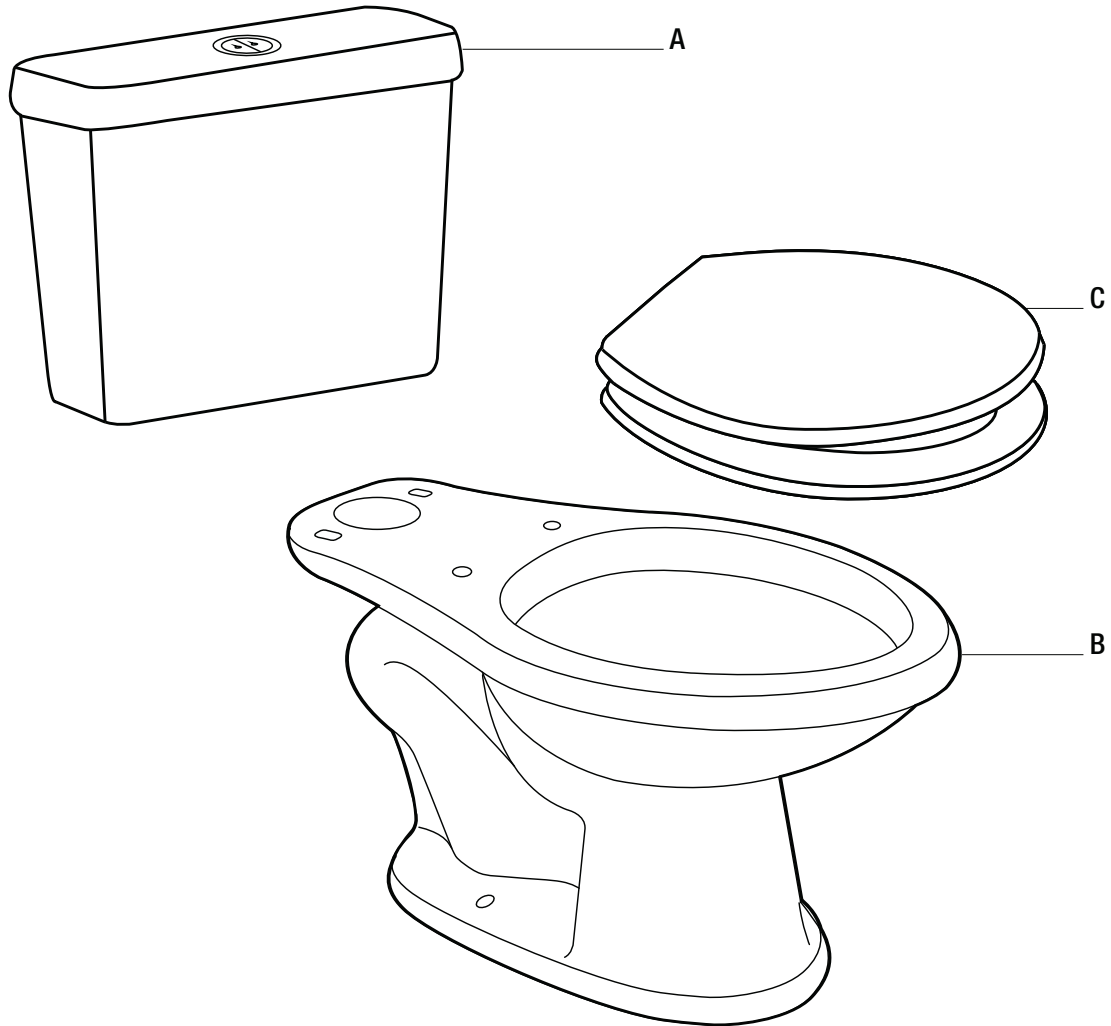


QQ

Part	Description	Quantity
AA	Floor bolt (Located in wax ring box)	2
BB	Floor bolt hex nut (Located in wax ring box)	2
CC	Wax ring	1
DD	Plastic disc	2
EE	Floor bolt wing nut (Located in wax ring box)	2
FF	Bolt cap	2
GG	Brass washer (Preassembled to Tank (A))	2
HH	Rubber washer (Preassembled to Tank (A))	4
II	Bolt (Preassembled to Tank (A))	2
JJ	Hex nut (Preassembled to tank (A))	2
KK	Rubber sealing gasket	1
LL	Oval metal washer	2
MM	Wing nut	2
NN	Lock bolt (Located in seat box)	2
OO	Toilet seat washer (Located in seat box)	2
PP	Lock nut (Located in seat box)	2
QQ	Dual flush button	1

Pre-Installation (continued)

PACKAGE CONTENTS



Part	Description	Quantity
A	Tank with cover	1
B	Toilet bowl	1
C	Seat with lid	1

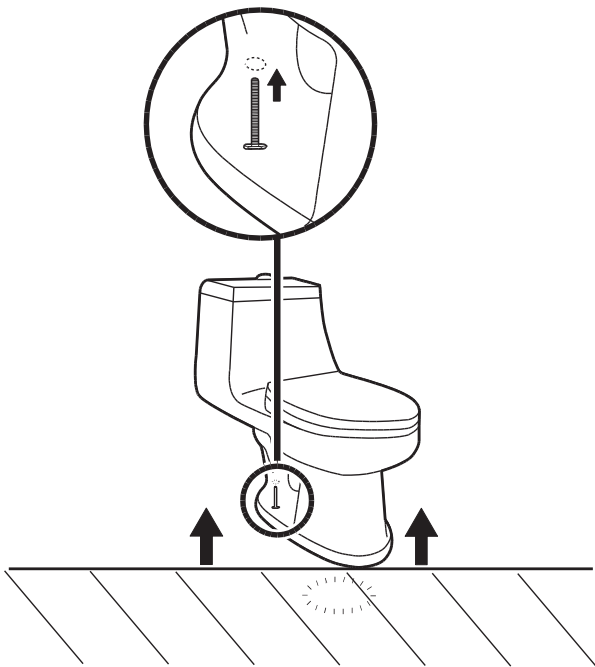
Installation

1 Removing the old toilet

- Turn off the water supply and flush the tank completely. Towel or sponge remaining water from the tank and bowl.
- Disconnect and remove the old water supply line.
- Remove the bowl from the floor by removing the bolt caps and the floor bolt nuts.
- Remove the floor bolts from the toilet flange and clean old wax, putty, and sealant from the base area.
- Temporarily plug the floor flange with a towel or cover to block sewer gases from escaping.

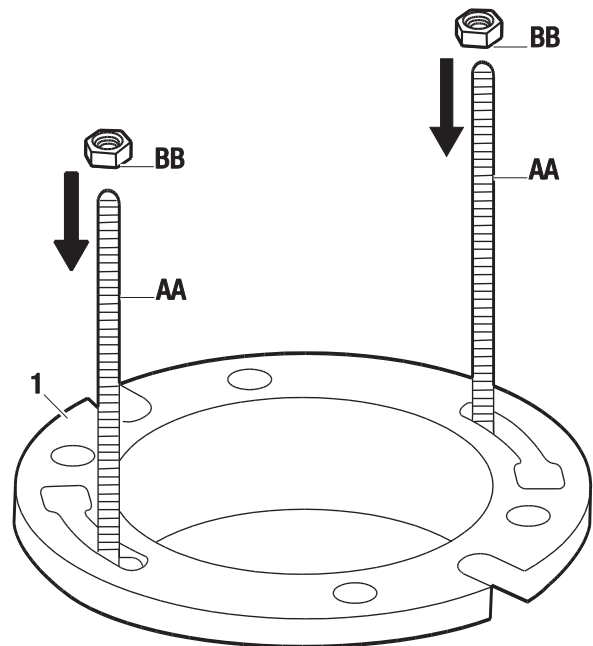


NOTE: The mounting surface must be clean and level before the new toilet is installed.



2 Installing the floor bolts

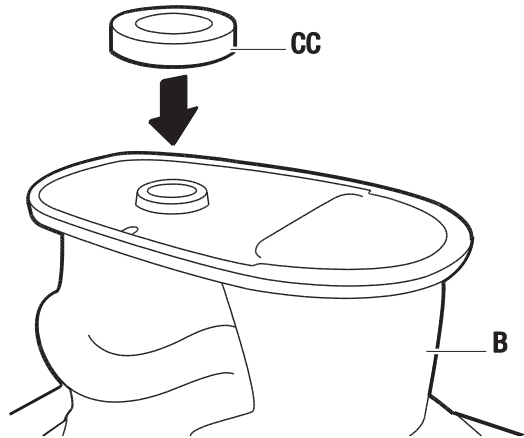
- Insert the floor bolts (AA) into the slots on the toilet flange (1) with the bolt heads down and threaded ends facing up. The heads of the floor bolts (AA) should be perpendicular to the slot opening in the toilet flange.
- Ensure the floor bolts (AA) are parallel to the wall. When set, hand-tighten the hex nuts (BB) onto the floor bolts (AA) to secure.



Installation (continued)

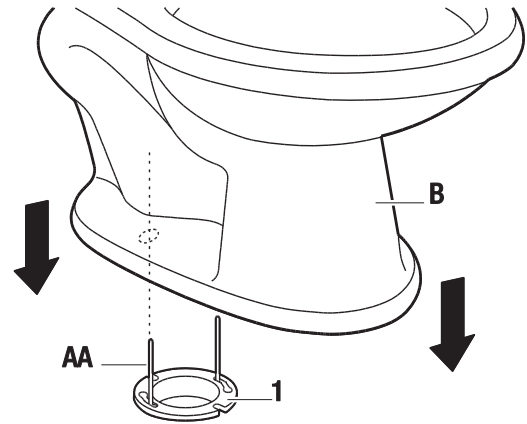
3 Installing the wax ring

- Turn the toilet bowl (B) upside down onto a towel or cushioned surface. With the rounded (tapered) end of the wax ring (CC) facing the toilet, place the wax ring (CC) around the raised outlet ring of the bowl (B), and press firmly enough so the wax ring (CC) adheres to the bowl (B). If the supplied wax ring has a black plastic cone extension, that should be facing away from the toilet.



4 Installing the toilet

- Place the toilet bowl (B) over the toilet flange (1) in alignment with the floor bolts (AA) so they protrude through the slots on the base of the toilet bowl (B). Press down on the toilet bowl (B). Apply weight evenly. Do not move after placement. Watertight seal may be broken.



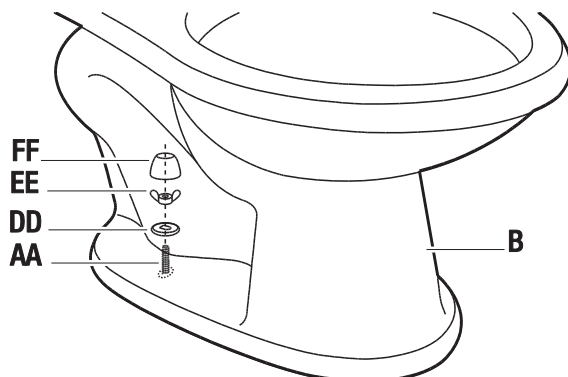
NOTE: Remember to remove temporary plug from the floor flange prior to placing the bowl.

5 Securing the toilet

- From the backside of the toilet (B), place the plastic discs (DD) over the floor bolts (AA), noting 'THIS SIDE UP' on the top of the discs.
- Tighten the floor bolt wing nuts (EE) onto the floor bolts (AA) to secure the position of the plastic discs (DD).
- Place the bolt cap covers (FF) over the floor bolts (AA) and snap into place.



CAUTION: Do not overtighten the nuts. May cause severe damage.

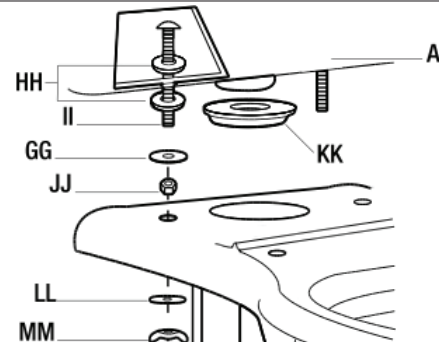


6 Installing the tank

- Attach the rubber sealing gasket (KK) to the center drain hole under the tank (A).
- Gently place the tank (A) on the toilet bowl (B) with bolts (II) protruding out underneath.
- Place an oval metal washer (LL) followed by a wing nut (MM) onto each protruding bolt (II).
- Tighten the wing nuts (MM) enough so that the tank (A) sits level and secure on the toilet bowl (B). Make sure the tank (A) is parallel to the wall and straight on the toilet bowl (B).



CAUTION: Do not overtighten the nuts. May cause severe damage.



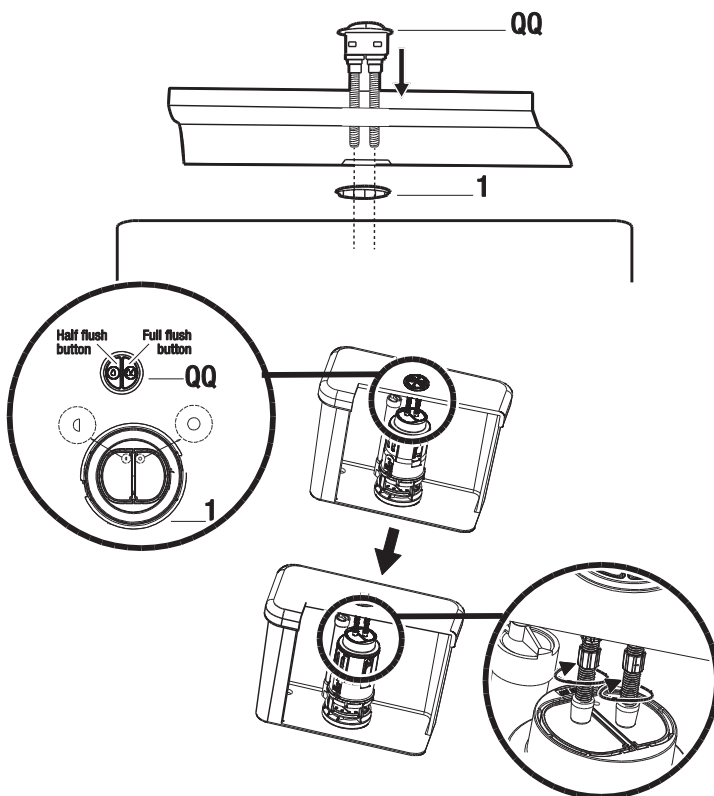
Installation (continued)

7 Installing and adjusting the flush button

- Position the flush button mechanism (QQ) in tank lid so the single drop button will align with blue button (half flush) on top of the flush valve and double drop button aligns with the grey button (full flush). This will also align the blue and grey rods on the flush button to the same color buttons on top of the flush valve
- Secure the flush button mechanism (QQ) in the tank lid by hand tightening the lock nut (1).
- The rubber tip on the bottom of the push rods leading from the flush buttons should be slightly backed off from the top of the levers on the flush valve.
- To increase the rod length, turn the rod locknut counter-clockwise to loosen, then rotate the push rod counter-clockwise to increase exposed length. When the desired length is achieved, turn the rod locknut clockwise, while holding the push rod, until it is tightened.



NOTE: Do not overtighten the tank connection.

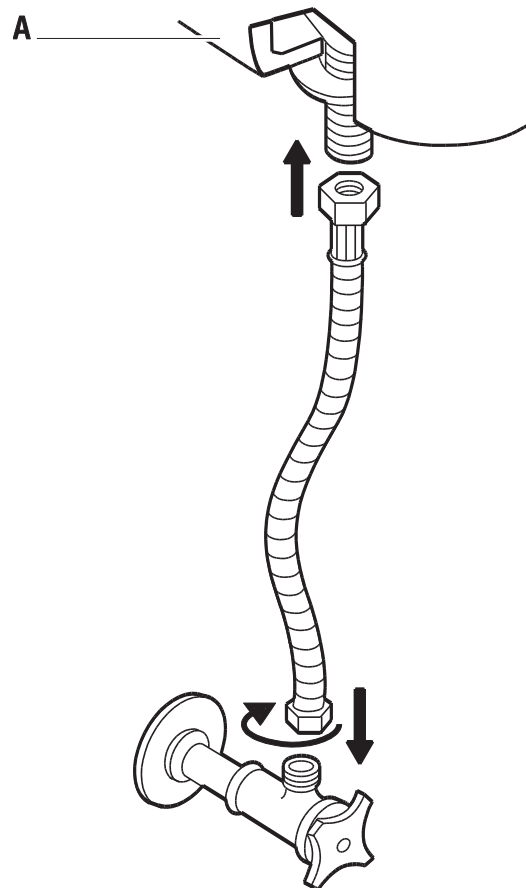


8 Connecting the water supply line

- Connect the water supply line (not included) between the tank (A) and shut-off valve.
- Tighten the tank connection coupling nut ¼ turn beyond hand tight.
- Turn on the supply valve and allow the tank (A) to fill.
- Check for leakage at all connections and tighten or correct as needed.



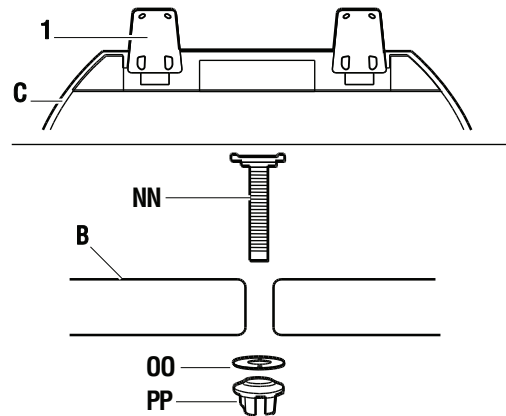
NOTE: Do not overtighten the tank connection.



Installation (continued)

9 Installing the seat with lid

- Turn the toilet seat with lid (C) upside-down.
- Insert the lock bolt (NN) in the bolt trough (1), then adjust the lock bolt (NN) to make the hole distance match with the toilet.
- Turn the toilet seat with lid (C) over so that the lock bolts (NN) protrude downward.
- Insert the lock bolts (NN) into the holes on the toilet (B) and adjust the toilet seat and lid (C) to find the best assembly position.
- Place the washer (OO) and the lock nut (PP) onto the lock bolt (NN) from underneath the toilet (B) and tighten the lock nut (PP) firmly to secure the seat and lid (C) in place on the toilet (B). Close the bolt trough covers and snap into place.



Care and Cleaning

Your new toilet is made of stain-, acid- and abrasion-resistant vitreous china. Clean the outside surface with mild soap, warm water and a soft cloth. On stubborn stains use a powdered detergent and damp sponge or nylon scouring pad. Never use abrasive scouring powders, cleansers or pads because they will scratch, damage and dull the surface. The manufacturer shall not be responsible or liable for any tank fitting damage caused by the use of cleaners containing chlorine (calcium hypochlorite). When cleaning your toilet seat, wash it with mild soapy water. Rinse the seat thoroughly with clean water and dry with a soft cloth. Avoid detergents, disinfectants or cleaning products in aerosol cans. NEVER use abrasive scouring powders on your seat. Some bathroom chemicals and cosmetics may cause damage to the seat's finish, so test your cleaning solution on an inconspicuous area before applying to the entire surface.



WARNING: DO NOT USE IN-TANK CLEANERS. Products containing chlorine (calcium hypochlorite) can seriously damage tank fittings potentially causing leaks, excessive water use and property damage.

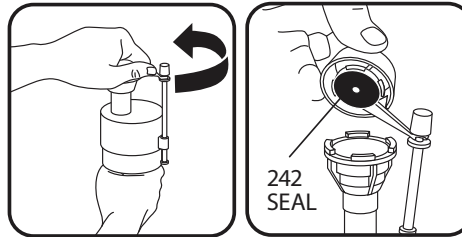
Troubleshooting

Problem	Solution
If fill valve does not turn on, will not turn off, or will not refill the tank after the flush.	<ul style="list-style-type: none"> □ Remove top cap and check for debris. If you find debris or flow is weak; Inspect lower section of fill valve for partial blockage. Partial blockage may be at shut off valve or in water supply line. (See "REMOVING THE VALVE CAP ASSEMBLY & FLUSHING OUT DEBRIS") □ If fill valve has been in use for some time and/or float cup does not drop when flushing tank, replace seal with a genuine Fluidmaster 242 seal (See "IF REPLACING SEAL")
The flush quality of the toilet is poor.	<ul style="list-style-type: none"> □ Make sure the water level in the tank is up to the water line printed on the overflow tube of the flush valve. To increase the water level, turn the adjustment screw on the fill valve clockwise to raise the float cup. □ Make sure the push rods are the correct length. The push rods should be set to a gap of approximately 1/16 in. above the push buttons of the flush valve. To adjust, loosen the collar on the push rod and turn the rod counterclockwise to extend the length. Tighten the collar to secure.
Water continues to run.	<ul style="list-style-type: none"> □ Check to make sure the rubber seal gasket on the flush valve is completely closed. Clear any debris from the gasket surface and sealing area of the flush valve which may be obstructing full closure.

Troubleshooting (continued)

REMOVING VALVE CAP ASSEMBLY

Turn off water supply and flush out tank. Push float up with right hand (see picture). Grip and hold shaft under float with right hand. With left hand, twist cap and lever counter clockwise 1/8th of a turn to unlock the top cap. Pressing down on top may be helpful with older valves. Let cap assembly hand out float cup.



FLUSHING OUT DEBRIS

Hold cup upside down over uncapped valve to prevent splashing. Turn water supply on and off a few times. Turn water supply off when putting cap back on valve.



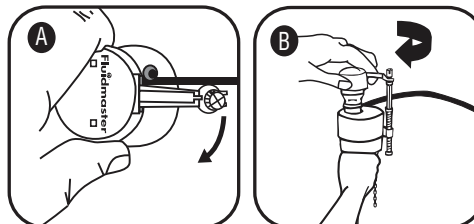
IF REPLACING SEAL

Use only a genuine Fluidmaster 242 seal.



REPLACING VALVE CAP

- A. Place cap assembly on top of grey valve body by aligning cap arm and adjustment rod next to refill tube.
- B. Press down on top cap while rotating top arm clockwise to locked position.



Fluidmaster Replacement Parts List

Part Name	Model Number	Home Depot SKU
Fill Valve	<input type="checkbox"/> 400ARHR	<input type="checkbox"/> #717773, #1001281180
Replacement Seal	<input type="checkbox"/> 83SGB	<input type="checkbox"/> #1000047459
3" Flush Valve	<input type="checkbox"/> 830VBGB	<input type="checkbox"/> #1000047453



Questions, problems, missing parts? Before returning to the store, call
Glacier Bay Customer Service
8 a.m. – 7 p.m., EST, Monday-Friday, 9 a.m. – 6 p.m., EST, Saturday

1-855-HD-GLACIER

[HOMEDEPOT.COM/GLACIERBAY](https://www.homedepot.com/glacierbay)

Retain this manual for future use.



Artículos n.ºs 215583,
468213, 1000064498,
1001362798, 1005748381

Modelo n.ºs #N2316

GUÍA DE USO Y MANTENIMIENTO

INODORO ALARGADO DE DOBLE DESCARGA DE ALTA EFICIENCIA



¿Preguntas, problemas, piezas faltantes? Antes de regresar a la tienda,
llama al Servicio al Cliente de Glacier Bay
8:00 a.m. – 7:00 p.m., hora del Este, lunes a viernes,
9:00 a.m. – 6:00 p.m., hora del Este, sábado

1-855-HD-GLACIER

HOMEDEPOT.COM/GLACIERBAY

GRACIAS POR TU COMPRA

Apreciamos la confianza que has depositado en Glacier Bay al comprar este inodoro. Nos esforzamos en crear continuamente productos de calidad diseñados para mejorar tu hogar. Visítanos en Internet para ver nuestra línea completa de productos disponibles para las necesidades de mejoras de tu hogar.

¡Gracias por elegir Glacier Bay!

Tabla de contenido

Tabla de contenido.....	12	Instalación.....	15
Información de seguridad.....	12	Mantenimiento y limpieza.....	18
Garantía.....	12	Solución de problemas.....	18
Preinstalación.....	13	Lista de piezas de repuesto.....	19
Planificación de la instalación.....	13		
Herramientas necesaria.....	13	Inglés (English).....	1-10
Herrajes incluidos.....	13		
Contenido del paquete.....	14		

Información de seguridad



ADVERTENCIA: Manipular con cuidado. Cuando la vitrocerámica se rompe parece vidrio con bordes afilados. No dejes caer ni manipules bruscamente ni aprietes demasiado los pernos.



ADVERTENCIA: Riesgo de emisión de gases peligrosos. Si no se instala de inmediato el inodoro nuevo, tapa temporalmente la brida del piso con una toalla (o cubierta) para impedir que escapen los gases del alcantarillado.



PRECAUCIÓN: Cumple con las normas locales de plomería y construcción.

Garantía

GARANTÍA LIMITADA DE POR VIDA

Los productos Glacier Bay se fabrican con normas y mano de obra de calidad superior, y están respaldados por nuestra garantía limitada de por vida. Los productos Glacier Bay están garantizados para el comprador original contra defectos materiales o de fabricación. Reemplazaremos GRATIS cualquier producto o pieza defectuosos. Simplemente devuelva el producto / pieza a cualquier tienda de The Home Depot, o llame al 1-855-HD-GLACIER (1-855-434-5224) para recibir el artículo de reemplazo. La prueba de compra (recibo original de ventas) del comprador original debe estar disponible para cualquier reclamación de garantía de Glacier Bay.

Esta garantía excluye fallas y daños directos/indirectos debido al mal uso o abuso o al desgaste normal por el uso. Esta garantía excluye todo uso industrial, comercial y de negocios, a cuyos compradores se les extiende una garantía limitada de cinco años a partir de la fecha de compra, manteniendo todos los demás términos de la garantía, con excepción de la duración.

Algunos estados y provincias no permiten la exclusión o limitación de daños directos o indirectos, por ello las limitaciones previamente enunciadas pueden no aplicarse a su caso. Esta garantía le otorga derechos legales específicos y es posible que también goce de otros derechos que varían de un estado a otro y de una provincia a otra. Consulte en la tienda o llame al 1-855-HD-GLACIER para obtener más detalles.

Comuníquese con el equipo de Servicio al Cliente llamando al 1-855-HD-GLACIER o visite WWW.HOMEDEPOT.COM/GLACIERBAY

Preinstalación

CÓMO PLANIFICAR LA INSTALACIÓN

Antes de instalar el producto, asegúrate de tener todas las piezas. Compara las piezas con las listas de Contenido del Paquete y Herrajes Incluidos de este manual. Si alguna pieza está dañada o falta, no intentes ensamblar, instalar u operar el producto. Comunícate con Servicio al Cliente para piezas de repuesto.

Tiempo estimado de ensamblaje: 60 minutos

HERRAMIENTAS NECESARIAS



Espátula para masilla



Nivel de carpintero

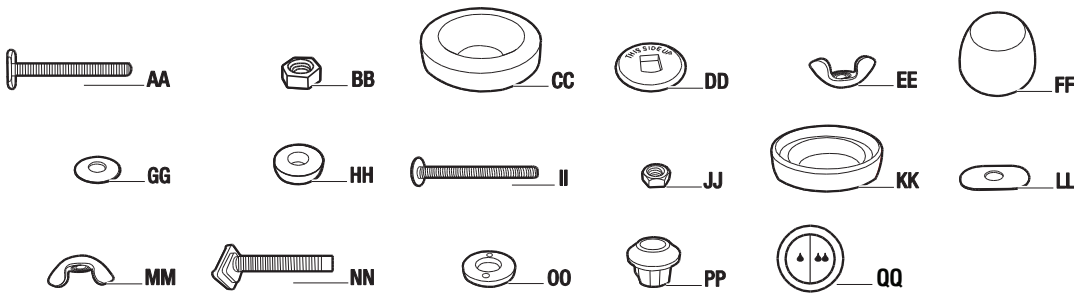


Línea de suministro de agua para el inodoro

HERRAJES INCLUIDOS



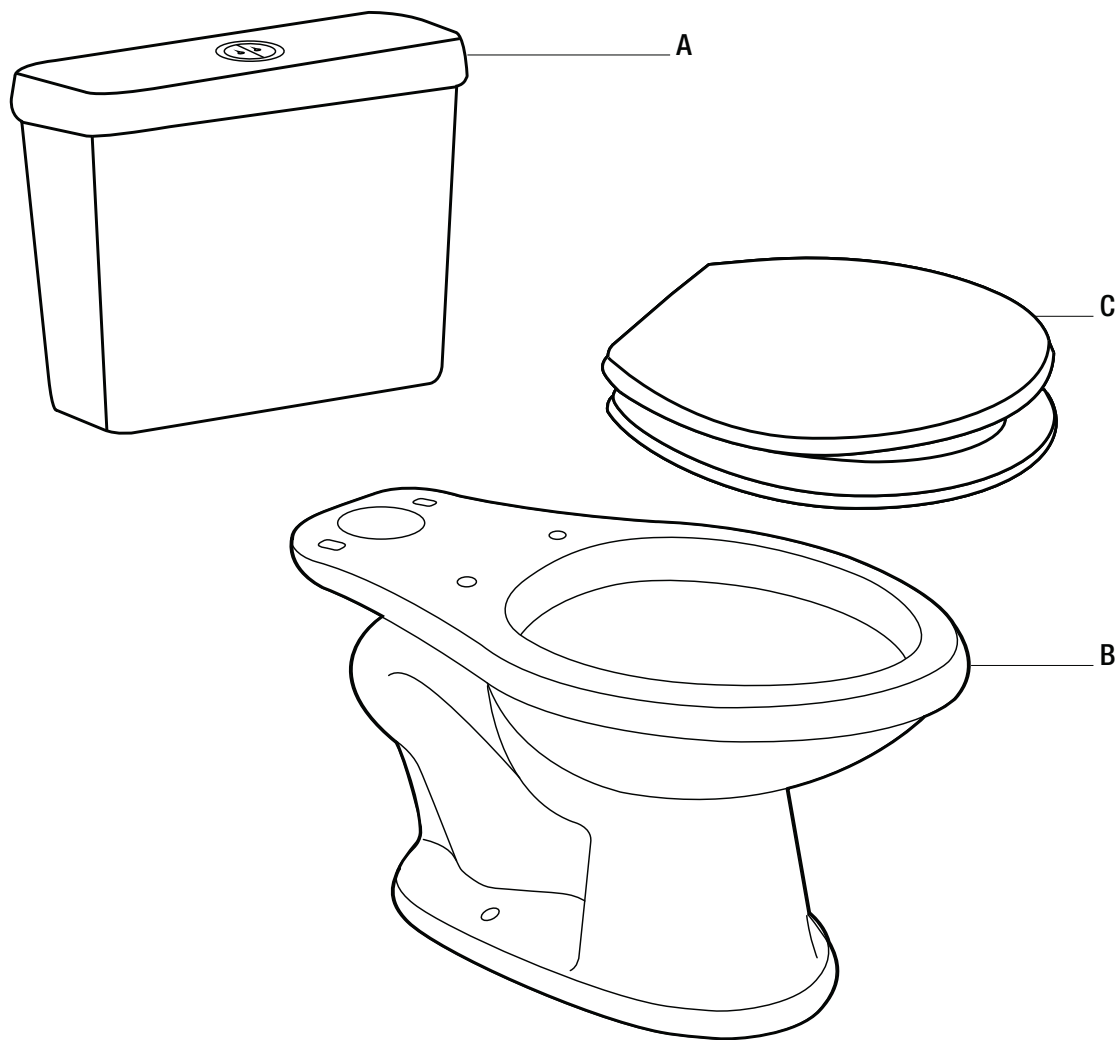
NOTA: No se muestra el tamaño real de los herrajes.



Pieza	Descripción	Cantidad
AA	Perno de piso (Ubicado en la caja del anillo de cera)	2
BB	Tuerca hexagonal de perno para piso (Ubicada en la caja del anillo de cera)	2
CC	Anillo de cera	1
DD	Disco plástico	2
EE	Tuerca mariposa de perno para piso (Ubicada en la caja del anillo de cera)	2
FF	Tapa para perno	2
GG	Arandela de latón (preensamblada al tanque (A))	2
HH	Arandela de goma (preensamblada al tanque (A))	4
II	Perno (preensamblado al tanque (A))	2
JJ	Tuerca hexagonal (preensamblada al tanque (A))	2
KK	Junta selladora de goma	1
LL	Arandela ovalada de metal	2
MM	Tuerca de mariposa	2
NN	Perno de seguridad (Ubicado en la caja del asiento)	2
OO	Arandela de asiento de inodoro (Ubicada en la caja del asiento)	2
PP	Contratuerca (Ubicada en la caja del asiento)	2
QQ	Botón de descarga dual	1

Preinstalación (continuación)

CONTENIDO DEL PAQUETE



Pieza	Descripción	Cantidad
A	Tanque con tapa	1
B	Taza de Inodoro	1
C	Asiento con tapa	1

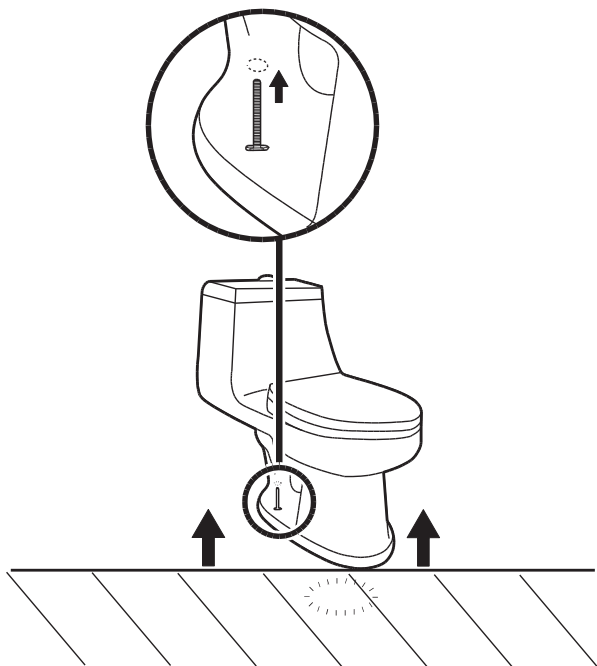
Instalación

1 Desmontar el inodoro antiguo

- ❑ Cierra el suministro de agua y descarga completamente el tanque. Limpia con una toalla o esponja el resto de agua que quede en el tanque y en la taza.
- ❑ Desconecta y retira la vieja línea de suministro de agua.
- ❑ Retira el tanque del piso, sacando las tapas de pernos y las tuercas de los pernos del piso.
- ❑ Retira los pernos del piso de la brida del inodoro y limpia la cera, la masilla y el sellador viejos del área de la base.
- ❑ Tapa temporalmente la brida del piso con una toalla o cubierta para impedir que escapen los gases de los drenajes.

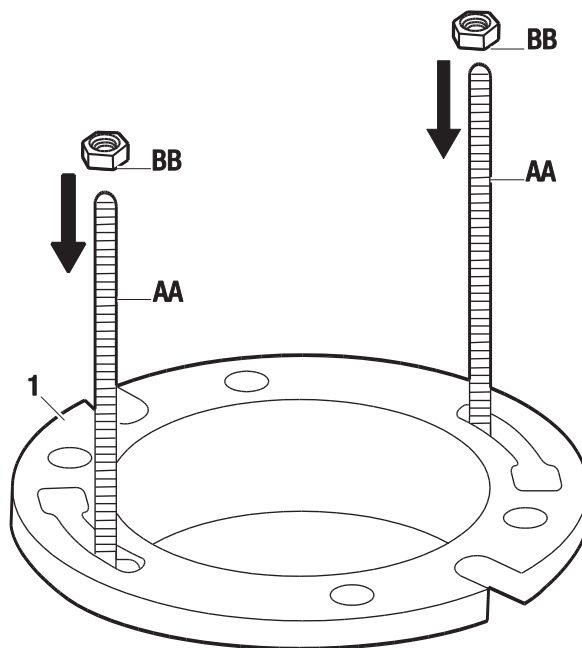


NOTA: La superficie de montaje debe estar limpia y nivelada antes de instalar el inodoro nuevo.



2 Instalación de los pernos del piso

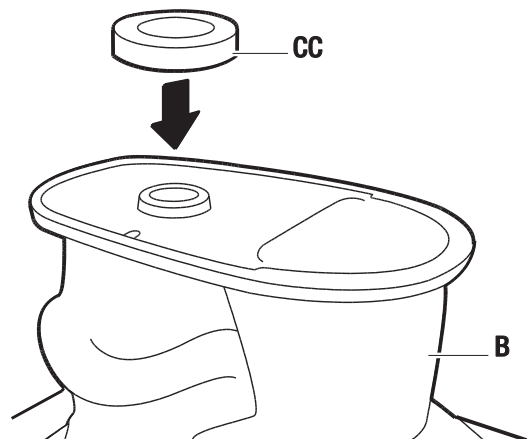
- ❑ Inserta los pernos de piso (AA) en las ranuras de la brida del inodoro con las cabezas de los pernos abajo y los extremos roscados hacia arriba. Las cabezas de los pernos de piso (AA) deben estar perpendiculares a la abertura de la ranura en la brida del inodoro.
- ❑ Ajustar los pernos de piso (AA) a fin de garantizar que queden paralelos a la pared. Cuando estén colocadas, aprieta a mano las tuercas hexagonales (BB) en los pernos del piso (AA) para asegurarlos.



Instalación (continuación)

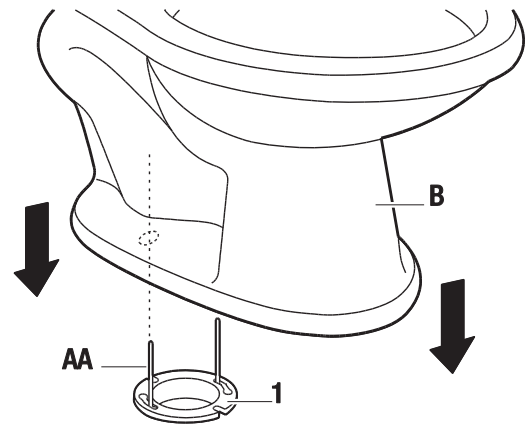
3 Instalación del anillo de cera

- Coloca boca abajo la taza del inodoro (B) sobre una toalla o superficie acolchada. Con el extremo redondeado (ahusado) del anillo de cera (CC) apuntando hacia el inodoro, coloca el anillo de cera (CC) alrededor del aro elevado de salida de la taza del inodoro (B) y presiónalo con suficiente firmeza como para que el anillo de cera (CC) se adhiera a la taza (B). Si el anillo de cera incluido tiene una extensión cónica de plástico negro, esta debe mirar en dirección opuesta al inodoro.



4 Cómo instalar el Inodoro

- Coloca la taza del inodoro (B) a medida que se pone sobre la brida del inodoro (1) en alineación con los pernos de piso (AA) para que sobresalgan a través de las ranuras en la base de la taza del inodoro (B). Presiona hacia abajo la taza del inodoro (B). Aplica el peso de manera uniforme. No mover una vez ubicado. El sello hermético se puede romper.



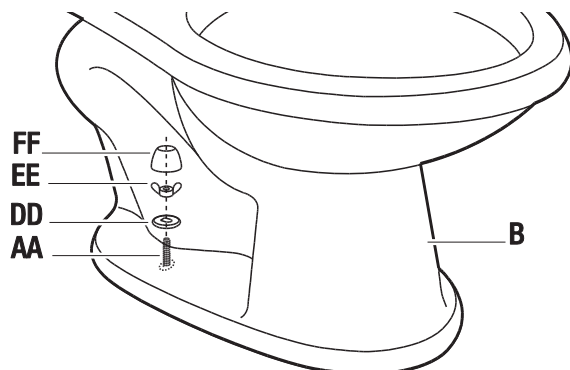
NOTA: Recuerda quitar el tapón temporal de la brida para piso antes de colocar el tazón.

5 Asegurar el inodoro

- Desde la parte posterior del inodoro (B), coloca los discos de plástico (DD) sobre los pernos de piso (AA), fijándote que la indicación "ESTE LADO HACIA ARRIBA" esté en la parte superior de los discos.
- Aprieta las tuercas de mariposa del perno de piso (EE) sobre los pernos de piso (AA) para asegurar la posición de los discos de plástico (DD).
- Coloca las tapas de los pernos (FF) sobre los pernos del piso (AA) y encájalas en su lugar.



PRECAUCIÓN: No aprietes demasiado las tuercas. Puede causar daños graves.

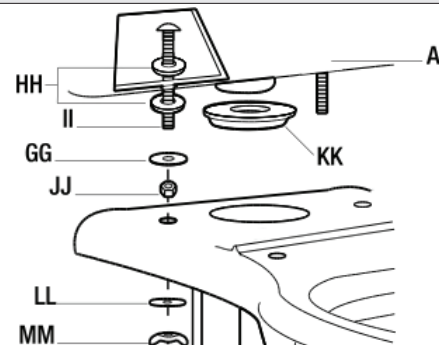


6 Instalar el tanque

- Sujeta la junta selladora de goma (KK) para centrar el orificio de drenaje bajo el tanque (A).
- Coloca con cuidado el tanque (A) sobre la taza del inodoro (B) dejando que los pernos (II) sobresalgan por debajo.
- Coloca una arandela de metal ovalada (LL) seguida por la tuerca de mariposa (MM) sobre cada perno sobresaliente (II).
- Aprieta la tuerca de mariposa (MM) lo suficiente para que el tanque (A) descansa a nivel y seguro sobre la taza de inodoro (B). Asegúrate de que el tanque (A) esté paralelo a la pared y perpendicular con la taza de inodoro (B).



PRECAUCIÓN: No aprietes demasiado las tuercas. Puede causar daños graves.



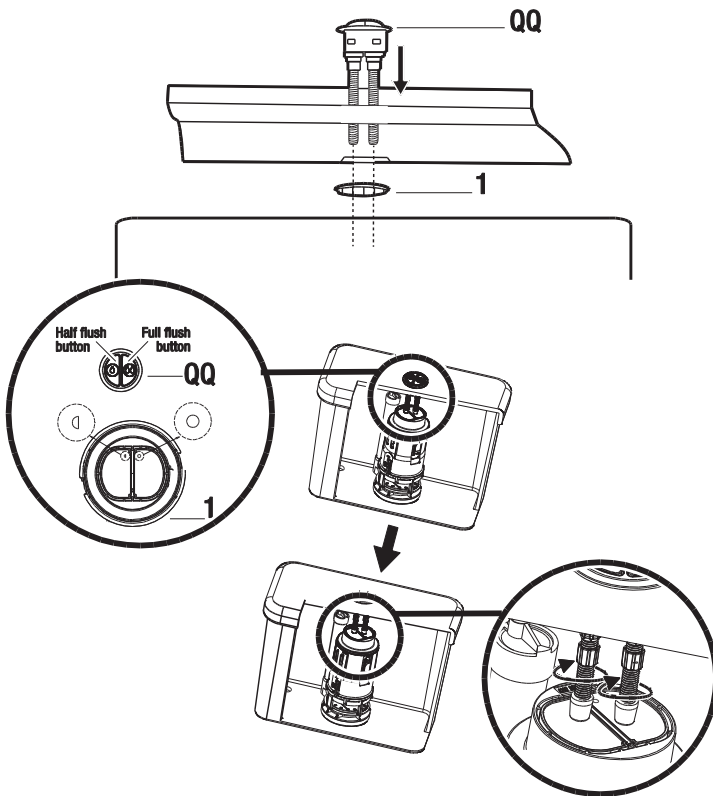
Instalación (continuación)

7 Instalar y ajustar el botón de descarga

- Coloca el mecanismo del botón de descarga (QQ) en la tapa del tanque de modo que el botón de caída simple se alinee con el botón azul (media descarga) en la parte superior de la válvula de descarga y el botón de caída doble se alinee con el botón gris (descarga completa). Esto también alineará las barras azules y grises en el botón de descarga con los mismos botones de color en la parte superior de la válvula de descarga.
- Asegura el mecanismo del botón de descarga (QQ) en la tapa del tanque apretando la contratuerca con la mano (1).
- La punta de goma en la parte inferior de las varillas de presión que salen de los botones de descarga debe retroceder ligeramente desde la parte superior de las palancas de la válvula de descarga.
- Para aumentar la longitud de la varilla, gira la contratuerca de las misma en sentido contrario a las manecillas del reloj para aflojarla, luego rota la varilla de presión en sentido contrario a las manecillas del reloj para incrementar la longitud de la parte expuesta. Cuando se alcance la longitud deseada, gira la contratuerca de la varilla en sentido de las manecillas del reloj sosteniendo la varilla hasta que esté segura.



NOTA: No aprietes demasiado la conexión del tanque.

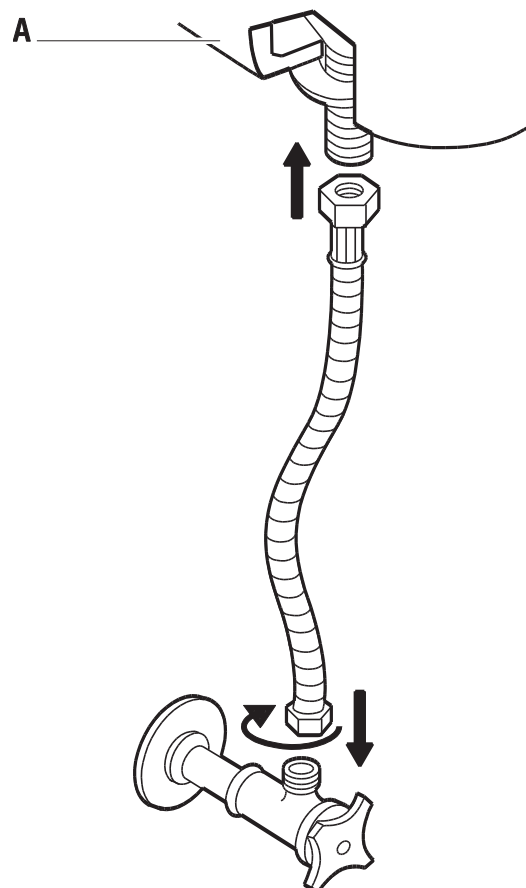


8 Conexión de las líneas del suministro de agua

- Conecta la línea de suministro de agua (no incluida) entre el tanque (A) y la válvula de cierre.
- Aprieta la tuerca de acople de conexión del tanque con un cuarto de vuelta adicional después de apretar con la mano.
- Abre la válvula de suministro y deja que el tanque (A) se llene.
- Revisa que no haya filtración en ninguna de las conexiones y aprieta o rectifica como corresponda.



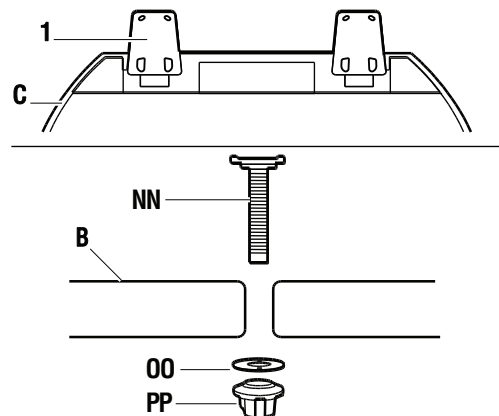
NOTA: No aprietes demasiado la conexión del tanque.



Instalación (continuación)

9 Instalación del asiento con tapa

- Vira boca abajo el asiento del inodoro con tapa (C).
- Inserta el perno de seguridad (NN) en el orificio correspondiente (1) y ajústalo para que la distancia del orificio coincida con el inodoro.
- Vira boca abajo el asiento del inodoro con tapa (C) de manera que los pernos de seguridad (NN) sobresalgan hacia abajo. Inserta los pernos de seguridad (NN) en los orificios correspondientes del inodoro (B) y ajusta el asiento y tapa (C) hasta encontrar la mejor posición del conjunto.
- Coloca la arandela (OO) y la tuerca de seguridad (PP) en el perno de seguridad (NN) debajo del inodoro (B) y aprieta la tuerca de seguridad (PP) firmemente para asegurar el asiento y tapa (C) en su lugar en el inodoro (B). Cierra las tapas de los orificios de los pernos y encájalas en su lugar.



Mantenimiento y limpieza

Tu nuevo inodoro está fabricado con vitrocerámica resistente a las manchas, ácido y la abrasión. Limpia la superficie exterior con agua tibia y jabón y un paño suave. Para manchas difíciles, usa un detergente en polvo y una esponja húmeda o una esponjilla de nylon. Nunca uses polvos, limpiadores o esponjillas abrasivas para pulir porque rayarán, dañarán y opacarán la superficie. El fabricante no será responsable de ningún daño a conexiones de tanque causado por el uso de limpiadores que contengan cloro (hipoclorito de calcio). Al limpiar el asiento del inodoro, lávalo con agua con jabón suave. Enjuaga cuidadosamente con agua limpia y seca con un paño suave. Evita usar detergentes, desinfectantes o productos de limpieza en latas de aerosol. NUNCA uses polvos pulidores abrasivos en tu asiento. Algunos productos químicos y cosméticos de baño pueden causar daños al acabado del asiento del, así que prueba tu solución limpiadora en un área oculta antes de aplicarla a toda la superficie.



ADVERTENCIA: NO USES LIMPIADORES DENTRO DEL TANQUE Los productos que contienen cloro (hipoclorito de calcio) pueden dañar gravemente las conexiones del tanque y ser causa potencial de filtraciones, consumo excesivo de agua y daños a la propiedad.

Solución de problemas

Problema	Solución
Si la válvula de llenado no se abre, no se cerrará o no volverá a llenar el tanque después de la descarga.	<ul style="list-style-type: none"> □ Quita la tapa superior y comprueba que no haya suciedad. Si encuentras suciedad o el flujo es débil; inspecciona la sección inferior de la válvula de llenado por si hay una obstrucción parcial. La obstrucción parcial puede estar en la válvula de cierre o en la línea de suministro de agua. (Consultar "DESMONTAJE DEL CONJUNTO DE LA TAPA DE LA VÁLVULA Y DESCARGA DE LOS DESECHOS") □ Si la válvula de llenado ha estado en uso por algún tiempo y/o el tapón del flotante no cae al descargarse el tanque, reemplaza el sello con uno genuino Fluidmaster 242 (Ver "SI HAY QUE VOLVER A COLOCAR EL SELLO")
La calidad de descarga del inodoro es pobre.	<ul style="list-style-type: none"> □ Asegúrate de que el nivel de agua en el tanque esté hasta la línea de agua impresa en el tubo de rebosadero de la válvula de descarga. Para aumentar el nivel de agua, gira el tornillo de ajuste en la válvula de llenado en el sentido de las manecillas del reloj para levantar el tapón del flotante. □ Asegúrate de que las varillas de presión tengan la longitud correcta. Las varillas de presión deben ajustarse a un espacio de aproximadamente 1/16 pulg por encima de los botones de la válvula de descarga. Para ajustar, afloja el collarín de la varilla de presión y gira la varilla en sentido contrario a las manecillas del reloj para extender la longitud. Aprieta el collarín de conexión para fijar.
El agua sigue corriendo.	<ul style="list-style-type: none"> □ Verifica que la junta del sello de goma en la válvula de descarga esté completamente cerrada. Limpia todo residuo de la junta y el área de sellado de la válvula de descarga que pudiera estar obstruyendo el cierre completo.

Solución de problemas (continuación)

DESMONTAJE DEL CONJUNTO DE LA TAPA DE LA VÁLVULA

Cierra el suministro de agua y descarga el tanque. Empuja el flotante hacia arriba con la mano derecha (ver la imagen). Agarra y sostén el eje debajo del flotante con la mano derecha. Con la mano izquierda, da 1/8 de giro a la tapa y la palanca en sentido contrario a las manecillas del reloj para desbloquear la tapa superior. Presionar hacia abajo en la parte superior puede ser útil con válvulas más antiguas. Deja que el ensamblaje de la tapa extienda el tapón del flotante.



DESCARGA LOS RESIDUOS

Mantén la tapa boca abajo sobre la válvula destapada para evitar salpicaduras. Abre y cierra el suministro de agua varias veces. Cierra el suministro de agua cuando vuelvas a colocar la tapa en la válvula.



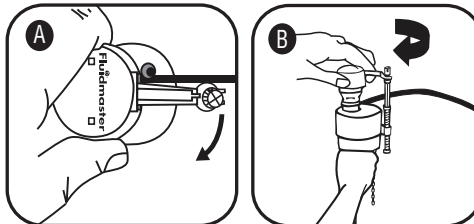
SI REEMPLAZAS EL SELLO

Usa solo un auténtico sello Fluidmaster 242.



REEMPLAZO DE LA TAPA DE LA VÁLVULA

- Coloca el conjunto de la tapa en la parte superior del cuerpo gris de la válvula alineando el brazo de la tapa y la varilla de ajuste al lado del tubo de llenado.
- Presiona hacia abajo la tapa superior mientras giras el brazo superior en el sentido de las manecillas del reloj hasta la posición de cierre.



Lista de piezas de repuesto Fluidmaster

Nombre de la pieza	Número de modelo	Home Depot SKU
Válvula de llenado	<input type="checkbox"/> 400ARHR	<input type="checkbox"/> #717773, #1001281180
Sello de repuesto	<input type="checkbox"/> 83SGB	<input type="checkbox"/> #1000047459
Válvula de descarga de 3 plg (7.6 cm)	<input type="checkbox"/> 830VBGB	<input type="checkbox"/> #1000047453



**¿Preguntas, problemas, piezas faltantes? Antes de regresar a la tienda,
llama al Servicio al Cliente de Glacier Bay
8:00 a.m. – 7:00 p.m., hora del Este, lunes a viernes,
9:00 a.m. – 6:00 p.m., hora del Este, sábado**

1-855-HD-GLACIER

[HOMEDEPOT.COM/GLACIERBAY](https://www.homedepot.com/glacierbay)

Conserva este manual para uso futuro.