



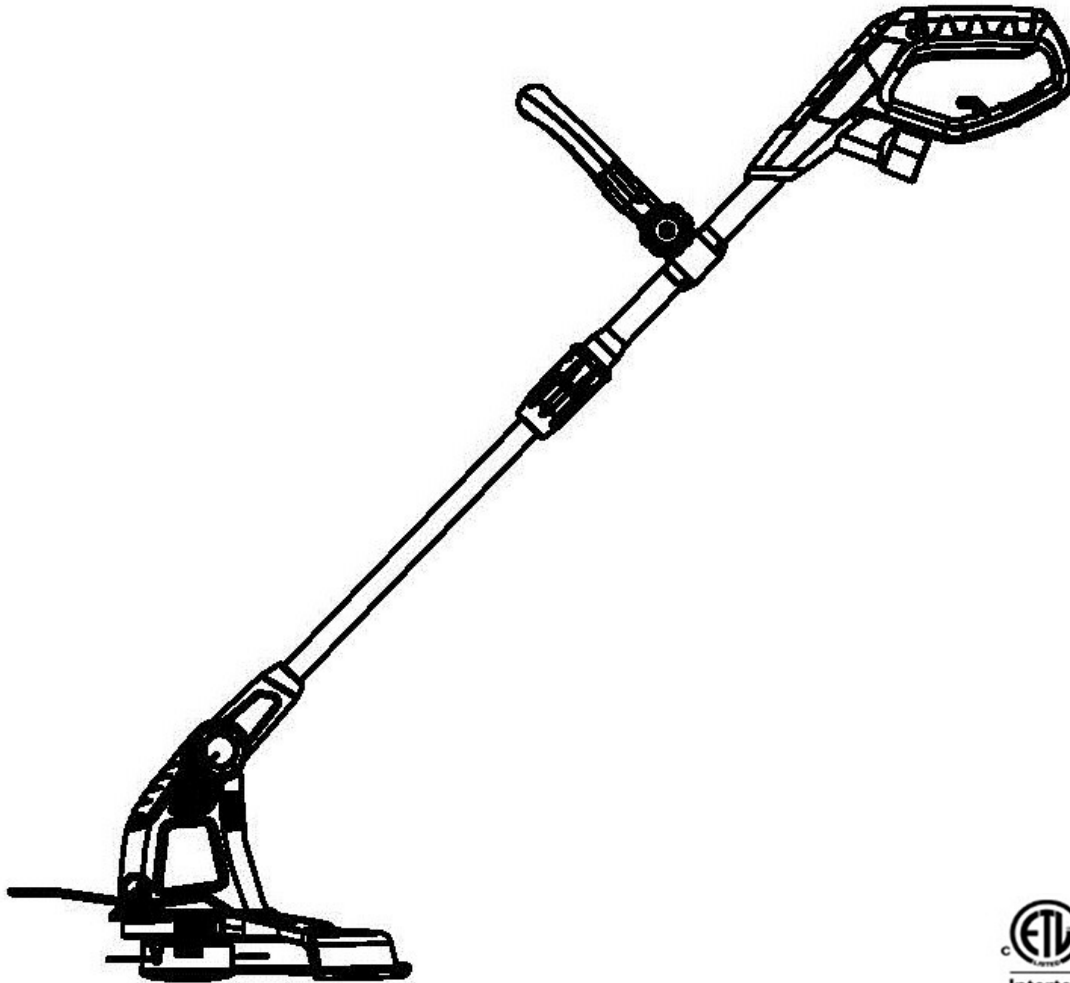
OPERATOR'S MANUAL

ELECTRIC STRING TRIMMER

This product is covered by U.S. patents and other international patents

Copyright. All Rights Reserved.

15 in. – ST00115



Your string trimmer has been engineered and manufactured to our high standard for dependability, ease of operation, and operator safety. Properly cared for, it will give you years of rugged, trouble-free performance.



WARNING: To reduce the risk of injury, the user must read and understand the operator's manual before using this product.

Thank you for your purchase.

DO NOT RETURN THIS PRODUCT TO THE STORE. OPERATING, ASSEMBLY, PARTS, SERVICE QUESTIONS? CALL 1-800-313-5111 BETWEEN 7:30 AM—4:30 PM EST FOR ASSISTANCE.

SAVE THIS MANUAL FOR FUTURE REFERENCE



IMPORTANT SAFETY WARNINGS



TO REDUCE RISK OF INJURY:

Before any use, be sure everyone using this tool reads and understands all safety instructions and other information contained in this manual.

CAUTION: Wear appropriate personal hearing protection during use. Under some conditions and duration of use, noise from this product may contribute to hearing loss.

Save these instructions and review frequently prior to use and in instructing others.

WARNING: When using electric gardening appliances, basic safety precautions should always be followed to reduce risk of fire, electric shock, and personal injury, including the following:

READ ALL INSTRUCTIONS

GENERAL SAFETY

DON'T ABUSE CORD – Never carry the string trimmer by the cord or yank the cord in order to disconnect from the receptacle. Keep cord from heat, oil, and sharp edges.

KEEP CHILDREN AWAY - All visitors, children and pets should stay at a safe distance from the work area.

DRESS PROPERLY – Don't wear loose clothing or jewelry. Wear protective hair covering to contain long hair. They can be caught in moving parts. Use of rubber gloves and substantial footwear is recommended when working outdoors.

USE SAFETY GLASSES –Wear safety glasses with side shields or goggles that are marked to comply with ANSI Z87.1 standard when operating this product. Use face or dust mask if environment is dusty.

GROUND FAULT CIRCUIT INTERRUPTER (GFCI) protection should be provided on the circuit(s) or outlet(s) to be used for the string trimmer. Receptacles are available having built-in GFCI protection and may be used.

USE RIGHT APPLIANCE – Do not use an appliance for any job except that for which it is intended.

EXTENSION CORD. Make sure your extension cord is in good condition. When using an extension cord be sure it is heavy enough to carry the current your product will draw. An undersized extension cord will cause a drop in line voltage resulting in loss of power and overheating. The following table shows the correct size to use depending on cord length and nameplate ampere rating. If in doubt, use the next heavier gage. The smaller the gage number, the heavier the cord.

Minimum Gage for Cord Sets					
Volts	Total Length of cord in Feet				
120V	0-7	8-15	16-30	31-45	
Ampere Rating		American wire Gage			
More Than	Not More Than				
0	- 6	18	16	16	14
6	- 10	18	16	14	12
10	- 12	16	16	14	12
12	- 16	14	12	Not Recommended	

It is possible to tie the extension cord and power cord in a knot to prevent them from becoming disconnected during use. Make the knot as shown, then connect the plug end of the power cord into the receptacle end of the extension cord. This method can also be used to tie two extension cords together.



WARNING: Use outdoor extension cords marked SW-A, SOW-A, STW-A, STOW-A, SJW-A, SJTW-A, or SJTOWA. These cords are rated for outdoor use and reduce the risk of electric shock.

DOUBLE INSULATION – Double Insulation is a concept in safety in electric power tools, which eliminates the need for the usual three-wire grounded power cord. All exposed metal parts are isolated from the internal metal motor components with protecting insulation. Double insulated tools do not need to be grounded.

NOTE: The double insulated system is intended to protect the user from shock resulting from a break in the tool's internal insulation. Observe all normal safety precautions to avoid electrical shock.

DISCONNECT STRING TRIMMER from the power supply when not in use or when servicing or cleaning. Do not leave unattended.

AVOID DANGEROUS ENVIRONMENTS – Don't use trimmer in rain, damp or wet locations. Do not operate trimmer in gaseous or explosive atmospheres. Motors in these tools normally spark, and the sparks might ignite fumes.

AVOID UNINTENTIONAL STARTING – Don't carry plugged in string trimmer with finger on switch. Be sure switch is off when plugging in.

DANGER: Risk of cut. Keep hands away from the line. Keep both hands on handles when power is on.

DO NOT ATTEMPT to remove cut material or hold material to be cut when lines are moving. Make sure trimmer switch is off when clearing jammed material from guard. Do not grasp the guard or lines when picking up or holding the trimmer.

CAUTION: Lines coast after turn off.

DON'T FORCE TRIMMER – It will do the job better and with less likelihood of a risk of injury at the rate for which it was designed.

STAY ALERT – Watch what you are doing. Use common sense. Do not operate string trimmer when you are tired or under the influence of drugs, alcohol or medications.

STORE IDLE STRING TRIMMER INDOORS – When not in use, the string trimmer should be stored indoors in a dry and high or locked-up place, out of reach of children.

MAINTAIN TRIMMER WITH CARE – Keep clean for best performance and to reduce the risk of injury. Inspect extension cord periodically and replace if damaged. Keep handles dry, clean and free from oil and grease.

CHECK DAMAGED PARTS – Before further use of the trimmer, a guard or other part that is damaged should be carefully checked to determine that it will operate properly and perform its intended function. Check for alignment of moving parts, binding of moving parts, breakage of parts, mounting and any other condition that may affect its operation. A guard or other part that is damaged should be properly repaired or replaced. Call our customer service help line at 1-800-313-5111 for assistance.

LIGHTING - Only operate trimmer in daylight or good artificial light.

DON'T OVERREACH – Keep proper footing and balance at all times.

GENERAL SAFETY

POLARIZED PLUGS – To reduce the risk of electric shock, this equipment has a polarized plug (one blade is wider than the other). This equipment must be used with a suitable polarized 2 wire or 3 wire extension cord. Polarized connections will fit together only one way. Make sure that the receptacle end of the extension cord has large and small blade slot widths. If the plug does not fit fully into the extension cord, reverse the plug. If it still does not fit, obtain a suitable extension cord. If the extension cord does not fit fully into the outlet, contact a qualified electrician to install the proper outlet. Do not change the tool plug or extension cord in any way.

WARNING: Do Not use the string trimmer with any type of accessory or attachment. Such usage might be hazardous.

WARNING: Some dust created by this product contains chemicals known to the State of California to cause cancer, birth defects or other reproductive harm. Some examples of these chemicals are:

- compounds in fertilizers
- compounds in insecticides, herbicides and pesticides
- arsenic and chromium from chemically treated lumber

Your risk from exposure to these chemicals varies depending on how often you do this type of work. To reduce your exposure to these chemicals, wear approved safety equipment such as dust masks that are specially designed to filter out microscopic particles.

WARNING: California Proposition 65:
This product contains chemicals known to the State of California to cause cancer, birth defects or other reproductive harm.

ASSEMBLY

PACKING LIST

- String Trimmer - Safety Guard - Instruction Manual
- Hardware Bag (attached to Safety Guard)

UNPACKING

This product requires some assembly.

Carefully remove the product and accessories from the box. Make sure that all items listed in the packing list are included.

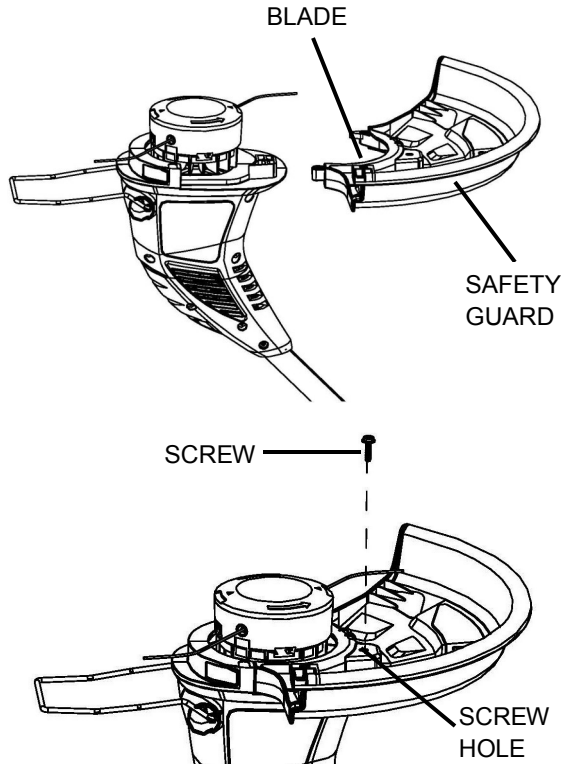
Inspect the product carefully to make sure no breakage or damage occurred during shipping.

Do not discard the packing material until you have carefully inspected and satisfactorily operated the product.

If any parts are damaged or missing, please call 1-800-313-5111 for assistance.

ATTACHING THE GUARD

Assemble the guard as shown as below by inserting it into the slot of the head of the motor housing. With a Phillips screw driver secure to the motor housing with the screw. Remove the masking tape from the blade.



WARNING: Do not connect to power supply until assembly is complete. Failure to comply could result in accidental starting and possible serious personal injury.

WARNING: If any parts are damaged or missing do not operate this product until the parts are replaced. Failure to heed this warning could result in serious personal injury.

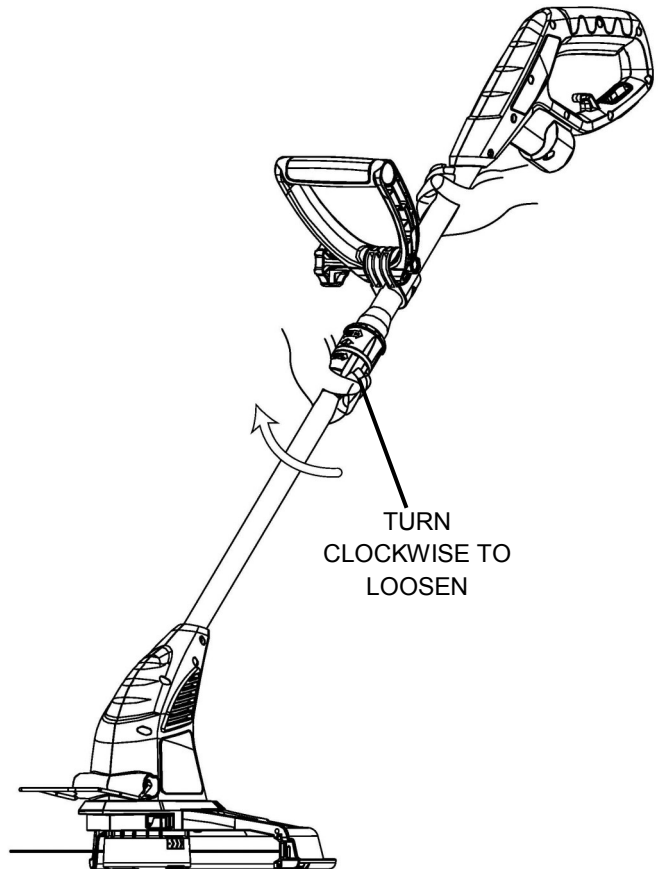
WARNING: Do not operate the trimmer without the guard attached.

AUXILIARY HANDLE ADJUSTMENT

For maximum comfort and control, adjust the auxiliary handle to suit your height. Shorter users adjust handle to a lower position (away from you) and taller users adjust handle to an upper position (towards you). The handle should be adjusted so that your front arm is straight.

HEIGHT ADJUSTMENT

The overall height of the trimmer can be adjusted by loosening the lock collar. The tubes can then be extended shorter or longer. When the desired height is achieved rotate the locking collar back to the original tightened position.



OPERATING

TO TURN THE TOOL ON

Push the lock button in with your thumb and then squeeze the trigger with your fingers. (Once the tool is running, you can release the lock button). To turn the tool OFF, release the trigger.

Before you start the unit, make sure the trimmer is not contacting any object.

WARNING: Stones, pieces of metal and other objects can be thrown out at high speed by the line. The unit and guard are designed to reduce the danger.

WARNING: To guard against injury, observe the following:
Read instruction manual before using.
Save instruction manual.
Keep hands away from lines.
Keep hands on handles. Don't overreach.

CAUTION: Inspect area to be trimmed and remove any wire, cord, or string-like objects which could become entangled in the rotating line or spool. Be particularly careful to avoid any wire which might be bent outwardly into the path of the tool, such as barbs at the base of a chain link fence.

If you strike or become entangled with a foreign object, stop tool immediately, check for damage and have any damage repaired before further operation is attempted. Do not operate with a broken hub or spool.

WARNING: Do not allow familiarity with this type of product to make you careless. Remember that a careless fraction of a second is sufficient to inflict serious injury.

CAUTION: Lines coasts after turn off.
Do not use under wet conditions.
Do not use with damaged extension cord.

CUTTING INSTRUCTIONS

Basic Cutting Procedure

Wear non-slip gloves for maximum grip and protection.

For the best cutting action against walls, fences and in high grass, move trimmer slowly so grass is cut WITH THE TIP of the high speed nylon line.

Avoid running trimmer with hub in contact with ground.

Trim only when grass and weeds are dry.

NOTE: As the weather becomes cooler, the tendency for the nylon line to break becomes greater. **DO NOT USE WHEN TEMPERATURE IS BELOW 50 degrees F.**

Cut tall grass from top down.

Hold the trimmer with your right hand on the rear handle and your left hand on the front handle. Trimmer should be held at a comfortable position with the rear handle about hip height.

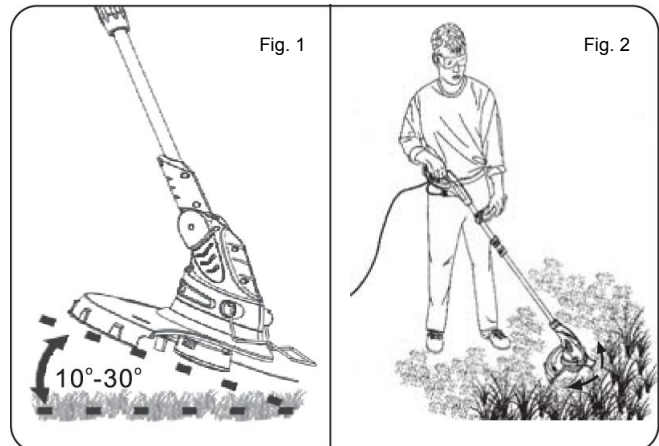
WARNING: Always hold trimmer away from body. Any contact with the string trimmer cutting head while operating can result in serious personal injury.

The life of your nylon line is dependent upon following instructions for proper use, as well as what is being cut, and where the cutting is being done.

WARNING: Do not trim near electrical wires.

LINE FEEDING

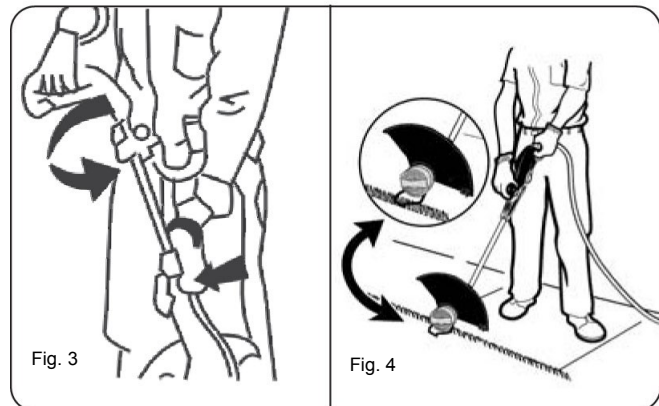
Your trimmer uses .065" (1.65mm) diameter nylon line to cut grass and weeds quickly and easily. In time, the tip of the nylon line will become worn and the auto feed mechanism will automatically feed and trim a fresh length of line. The cutting line will wear faster if the cutting is done along sidewalks or other abrasive surfaces or heavier weeds are being cut. The line will extend approximately ¼ in. with each stop and start of the switch trigger until the line reaches the length of the grass deflector blade. **Do not bump unit on ground** in attempt to feed line or for any other purpose.



TRIMMING INSTRUCTIONS

- Angle unit as shown. (Fig. 1)
- Slowly swing trimmer side to side as shown. (Fig. 2)
- To convert for maintenance edging, turn off the tool. Holding the trimmer with one hand by the auxiliary handle, grasp the collar and push in the direction of arrow and rotate the trimmer head until it stops (half turn), release your hand, (rotate clockwise when viewed from the switch end). The tool is locked in the edger position. (Fig. 3)
- Rotate the wire edge guide forward and down into place before edging.
- To operate as a maintenance edger, position trimmer above sidewalk as shown. (Fig. 4)
- Return to trimming position by turning the tool off, push in direction of arrow and rotate the trimmer head counter clockwise until it stops. When using the tool in the trimmer mode you may choose to fold the wire edge guide up out of the way.

WARNING: Do not operate a string trimmer in a tree, on a ladder, or on a scaffold; this is extremely dangerous.



OPERATING

CUTTING INSTRUCTIONS

REPLACING SPOOL / CLEARING JAMS AND TANGLED LINES

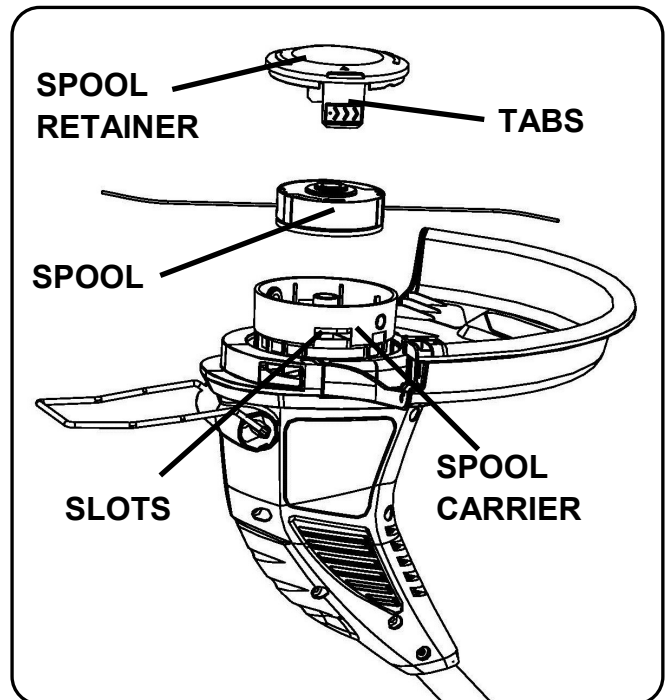
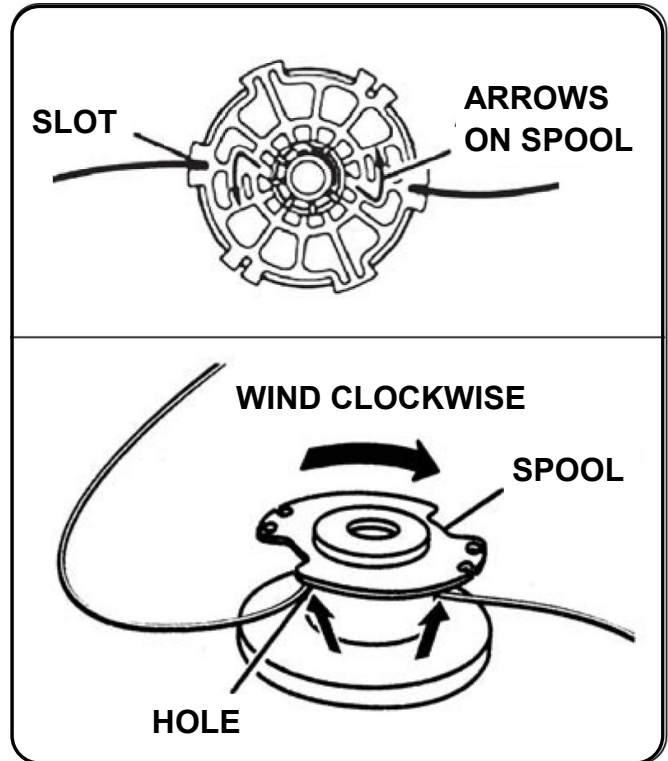
From time to time, especially when cutting thick or stocky weeds, the line feeding hub may become clogged with sap or other material and the line will become jammed as a result. To clear the jam, follow these steps.

- Turn off the trimmer and unplug from power source.
- Press the release tabs on the line spool retainer and remove the cover by pulling it straight off.
- Lift the spool of nylon line out of the hub and clear any broken line or cutting debris from the spool area.
- In case of jams and tangled line, unwrap about one foot (30cm) of line to ensure that it is undamaged. If it is OK, rewind it and insert the line ends through the eyelets in the spool hub.
- Press the spool down GENTLY and rotate it until you feel it drop into place. (When in place, the spool will freely turn a few degrees left and right.)
- Snap the spool retainer back on, insert the cord into the outlet and turn the tool on. In a few seconds or less you'll hear the line being cut automatically to the proper length.

REWINDING SPOOL FROM BULK LINE (USE ONLY .065" DIAMETER LINE)

Bulk line for your trimmer/edger is available at extra cost from your local dealer or service center. To install bulk line, follow these steps:

- Turn off the trimmer and unplug from the power source.
- Remove the spool assembly from the trimmer. To do so, hold the outer ribbed part of the assembly with one hand, while pushing down and turning the spool head to unlock it with the other hand.
- Remove any existing line from the spool.
- Using approximately 9 ft. of .065 replacement line, loop the line into 2 equal lengths. Insert looped center into slot of spool.
- Wind the line tightly around the spool. The line is wound in the direction of the arrow on the spool. Tightly wind it until there is about 6" of line left.
- Lock each end of line into opposite holding slot.
- Thread each end of the line through the upper and lower eyelets of the white plastic cover.
- Insert the line through each eyelet in the spool carrier and slide the spool into it.
- Insert the spring, assemble the spool and spool retainer back onto the trimmer. To do so, push the head on and turn it clockwise until it locks.
- Plug trimmer back in and in a few seconds or less you'll hear the line being cut automatically to the proper length.



MAINTENANCE

⚠ CAUTION: Do not at any time let brake fluids, gasoline, petroleum based products, penetrating oils, etc., come in contact with plastic parts. They contain chemicals that can damage, weaken or destroy plastic.

Make sure the trimmer is unplugged from the power supply, then use only mild soap and a damp cloth to clean the tool. Never let any liquid get inside the tool; never immerse any part of the tool into a liquid.

Fertilizers and other garden chemicals contain agents which greatly accelerate the corrosion of metals. Do not store the tool on or adjacent to fertilizers or chemicals.

⚠ IMPORTANT: To assure product SAFETY and RELIABILITY, repairs, maintenance and adjustment should be performed by a qualified individual using only identical replacement parts.

If you drop the trimmer, carefully inspect it for damage. If the guard is bent or cracked, handles broken or if you see any other condition that may affect the trimmer's operation, it must be repaired before putting it back into use. Call our customer service help line at 1-800-313-5111 for assistance.

TROUBLESHOOTING

Problem	Possible Cause	Possible Solution
- Unit does not run	- Extension cord not connected to the plug - Cord not connected to power source - Lock button not fully operated	- Check extension cord is fully connected to tool - Check extension cord is fully connected to a live receptacle - Check that lock button is fully depressed prior to moving trigger
- Line won't feed	- Line tangled in spool	- Untangle line
- Line fails to cut off	- Line cutter in guard is damaged or missing - Line extends past guard	- Replacement/repair line cutter - Rewind or trim line to line cutter

CALL US FIRST !!

Call us first with questions about operating or maintaining your string trimmer at 1.800.313.5111 between 7:30 a.m. – 4:30 p.m. Eastern Standard Time, or send emails to earthwise@reelin.com.

FEATURES

PRODUCT SPECIFICATIONS

ST00115

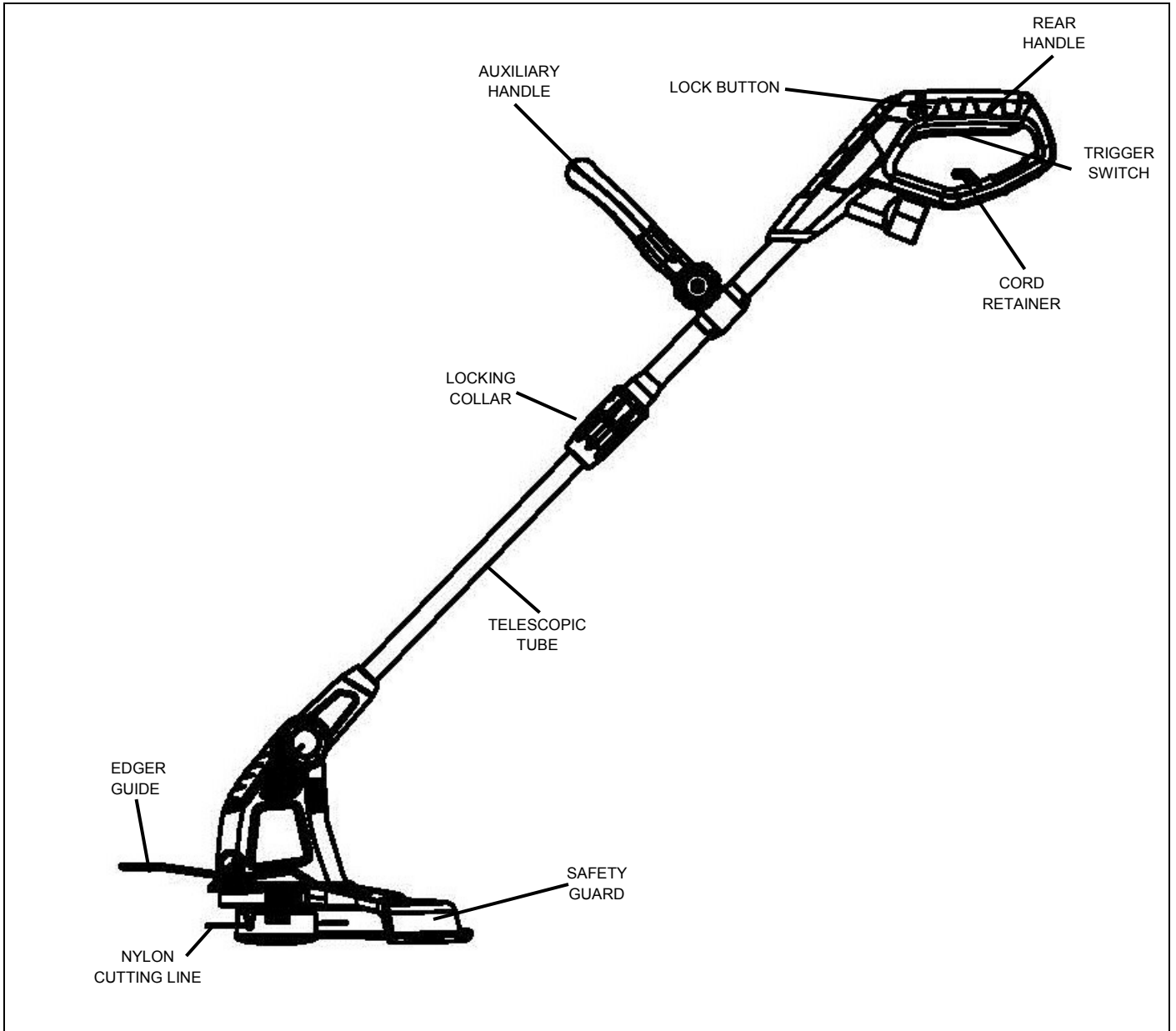
Input 120 V, 60 Hz, 5 Amps

Speed 7500 RPM

Cutting Width 15 in.

Weight 5.73 lb.

- Dual Line - .065 Line Diameter - Automatic Feed - Adjustable Height - 4 position adjustable head -



WARRANTY

LIMITED WARRANTY FOR CORDED ELECTRIC MODELS

This product is manufactured for The Great States Corporation/American Lawn Mower Company. The Great States Corporation/American Lawn Mower Company, Shelbyville, Indiana, has been making lawn mowers for over 100 years and it warrants to the original owner that each new product and service part is free from defects in material and workmanship and agrees to repair or replace under this warranty any defective product or part from the original date of purchase for two (2) years except for the conditions and circumstances listed below. Proof of purchase (original dated sales receipt) must accompany all warranty claims.

THIS WARRANTY IS NOT TRANSFERABLE AND DOES NOT COVER:

Products sold damaged or incomplete, sold "as is", sold reconditioned, or used as rental equipment.

Delivery, installation, or normal adjustments explained in the operator's manual.

Damage or liability caused by shipping, improper handling, improper installation, incorrect voltage or improper wiring, improper maintenance, improper modification, or the use of accessories and/or attachments not specifically recommended.

Repairs necessary because of operator abuse or negligence, or the failure to install, operate, maintain, or store the product according to the instructions in the operator's manual.

Damage caused by cold, heat, rain, excessive humidity, corrosive environments and materials, or other contaminants.

Expendable items that become worn during normal use.

Cosmetic defects that do not interfere with tool functionality.

Freight costs from customer to vendor.

Repair and transportation costs of products or parts determined not to be defective.

ANY INCIDENTAL, INDIRECT, OR CONSEQUENTIAL LOSS, DAMAGE, OR EXPENSE THAT MAY RESULT FROM ANY DEFECT, FAILURE, OR MALFUNCTION OF THE PRODUCT. Some states do not allow the exclusion or limitation on how long an implied warranty lasts, so the above limitations may not apply to you.

ANY NON-RESIDENTIAL USE OR COMMERCIAL USE VOIDS ALL WARRANTIES.



The Great States Corporation
American Lawn Mower Company
830 Webster Street
Shelbyville, IN 46176
Phone 1-800-313-5111
www.americanlawnmower.com

In a continued commitment to improve quality, the Manufacturer reserves the right to make component changes or design changes when necessary.

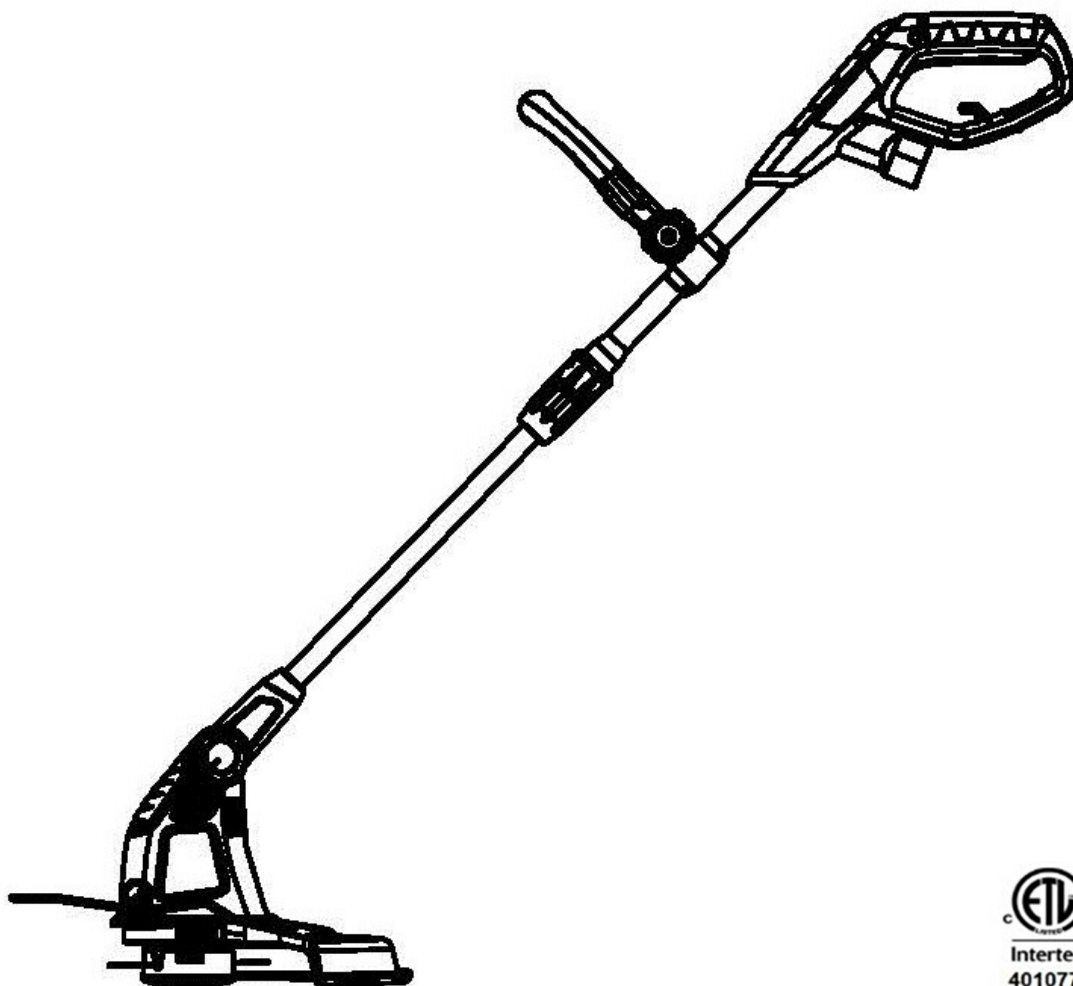


MANUAL DEL OPERARIO DESBROZADORA ELÉCTRICA

Este producto está amparado por patentes de EE. UU. y otras patentes internacionales.

Copyright. Todos los derechos reservados.

15 in – ST00115



Su desbrozadora fue diseñada y fabricada de acuerdo con nuestros altos estándares de confiabilidad, facilidad de operación y seguridad para el operario. Si se trata con cuidado, esta herramienta le otorgará años de óptimo rendimiento y resistencia.



ADVERTENCIA: Para reducir el riesgo de sufrir alguna lesión, el usuario debe leer y comprender el manual del operario antes de usar este producto.

Muchas gracias por su compra.

NO DEVUELVA ESTE PRODUCTO A LA TIENDA. ¿TIENE PREGUNTAS SOBRE FUNCIONAMIENTO, MONTAJE, PIEZAS O SERVICIO TÉCNICO? LLAME AL 1-800-313-5111 ENTRE LAS 7:30 AM Y LAS 4:30 PM, HORA ESTÁNDAR DEL ESTE DE LOS ESTADOS UNIDOS.

GUARDE ESTE MANUAL PARA CONSULTAS FUTURAS

⚠️ ADVERTENCIAS DE SEGURIDAD IMPORTANTES ⚠️

PARA REDUCIR EL RIESGO DE LESIONES:

Antes de poner en uso la herramienta, cerciórese de que todos los usuarios lean y comprendan las instrucciones de seguridad y la demás información incluida en este manual.

⚠️ **PRECAUCIÓN:** Use protección auditiva apropiada mientras trabaja. En ciertas condiciones y con cierta duración de uso, el ruido generado por este producto puede contribuir a la pérdida de la audición.

Guarde estas instrucciones y revíselas con frecuencia antes de usar la herramienta y para impartirlas a otros.

⚠️ **ADVERTENCIA:** Al utilizar aparatos eléctricos para el jardín, se recomienda respetar las precauciones de seguridad básicas que se detallan a continuación, a fin de reducir riesgos de incendios, descargas eléctricas y lesiones personales.

LEA TODAS LAS INSTRUCCIONES

NORMAS GENERALES DE SEGURIDAD

NO MALTRATE EL CABLE. Nunca tire del cable para trasladar la desbrozadora ni para desconectarlo del receptáculo. Aleje el cable del calor, el aceite y los bordes filosos.

MANTENGA ALEJADOS A LOS NIÑOS. Todos los visitantes, niños y mascotas deben mantenerse a una distancia segura de la zona de trabajo.

USE ROPA ADECUADA. No use prendas sueltas ni artículos de joyería. Use protección para cubrir y contener el cabello largo, ya que podría quedar atrapado en las piezas móviles. Se recomienda usar guantes de goma y calzado resistente cuando se trabaja al aire libre.

USE GAFAS DE SEGURIDAD. Al trabajar con este producto, use gafas de seguridad con protectores laterales que cumplan la norma ANSI Z87.1. Protéjase la cara con una mascarilla antipolvo si el ambiente genera polvo.

INTERRUPTOR DE CIRCUITO POR FALLA A TIERRA (ICFT). Los circuitos o tomacorrientes que se usen para la desbrozadora deben contar con esta protección. Se puede utilizar uno de los receptáculos que tengan la protección de ICFT incorporada.

USE LA HERRAMIENTA EN FORMA CORRECTA. No utilice esta herramienta en trabajos para los que no esté indicada.

CABLE DE EXTENSIÓN. Asegúrese de que el cable de extensión esté en buenas condiciones. Además, compruebe que tenga el grosor suficiente para transportar la corriente que necesitará el producto. Un cable de extensión muy pequeño provocará una disminución en la tensión de la línea y, como resultado, una pérdida de potencia y recalentamiento. La siguiente tabla muestra el tamaño correcto que se debe usar según la longitud del cable y el amperaje de la etiqueta. Ante la duda, utilice el siguiente calibre más grueso. Cuanto más bajo es el número de calibre, más grueso es el cable.

		Calibre mínimo para los cables			
Voltios		Longitud total del cable en metros			
120V		0-7	8-15	16-30	31-45
Amperaje		Calibre AWG			
Más de	No más de				
0	- 6	18	16	16	14
6	- 10	18	16	14	12
10	- 12	16	16	14	12
12	- 16	14	12	No se recomienda	

El cable de extensión y el cable de alimentación se pueden atar para evitar que se desconecten durante el uso. Realice el nudo como se muestra en la imagen y luego conecte el enchufe del cable de alimentación en el receptáculo del cable de extensión. Este método también se puede aplicar para unir dos cables de extensión.



⚠️ **ADVERTENCIA:** Para el exterior, use cables de extensión rotulados con las siguientes inscripciones: SW-A, SOW-A, STW-A, STOW-A, SJW-A, SJTW-A, o SJTOWA. Estos cables están especificados para usar al aire libre y reducir el riesgo de descarga eléctrica.

DOBLE AISLAMIENTO. El doble aislamiento es un concepto de seguridad en las herramientas eléctricas que elimina la necesidad del acostumbrado cable de alimentación puesto a tierra mediante el sistema de tres cables. Todas las piezas metálicas expuestas están separadas de los componentes

del motor metálico interno por un aislamiento protector. Las herramientas con doble aislamiento no necesitan la conexión a tierra.

NOTA: La finalidad del sistema de doble aislamiento es proteger al usuario de una descarga eléctrica provocada por una rotura del aislamiento interno de la herramienta. Respete todas las precauciones generales de seguridad para evitar una descarga eléctrica.

DESCONECTE LA DESBROZADORA del suministro eléctrico cuando no esté en uso o durante el servicio de mantenimiento o la limpieza. Manténgala bajo vigilancia constante.

EVITE AMBIENTES PELIGROSOS. No utilice esta herramienta en la lluvia ni en lugares húmedos o mojados. Tampoco trabaje en entornos donde existan gases o sustancias explosivas. Por lo general, los motores de estas herramientas producen chispas que podrían inflamar los gases.

EVITE EL ENCENDIDO ACCIDENTAL. No transporte la desbrozadora enchufada, con el dedo en el interruptor. Asegúrese de que el interruptor esté en la posición de apagado al enchufar el cable de la herramienta.

⚠️ **PELIGRO:** Riesgo de corte. Mantenga las manos lejos del hilo. Mantenga ambas manos en los mangos mientras la herramienta está encendida.

NO INTENTE extraer el material cortado ni sostener el material que desea cortar mientras los hilos están en movimiento. Asegúrese de que el interruptor esté en posición de apagado para luego quitar el material atascado en el protector. No tome la desbrozadora por los hilos al tratar de levantar o sostener la herramienta.

⚠️ **PRECAUCIÓN:** Los hilos se mueven por inercia después de apagar el motor.

NO FUERCE LA DESBROZADORA. Realizará mejor el trabajo con menor probabilidad de lesiones si maneja la desbrozadora a la velocidad para la que fue diseñada.

PONGA ATENCIÓN. Observe lo que está haciendo. Use el sentido común y no opere la desbrozadora si está cansado o bajo la influencia de medicamentos, drogas o alcohol.

GUARDE LA DESBROZADORA BAJO TECHO. Cuando no esté en uso, la desbrozadora se deberá guardar en un lugar cerrado, seco y elevado o fuera del alcance de los niños.

TENGA CUIDADO AL DAR MANTENIMIENTO A LA HERRAMIENTA. La desbrozadora debe estar siempre limpia para lograr un óptimo funcionamiento y reducir el riesgo de lesiones. Inspeccione el cable de extensión periódicamente y reemplácelo si está dañado. Mantenga los mangos secos, limpios y libres de grasa y aceite.

VERIFIQUE LAS PIEZAS DAÑADAS. Antes de seguir usando la desbrozadora, se deberán revisar los protectores u otras piezas dañadas en forma exhaustiva para determinar si la herramienta funcionará correctamente y realizará el trabajo previsto. Compruebe la alineación y las uniones de las piezas móviles, el montaje, averías de componentes y otros factores que puedan afectar el funcionamiento. Un protector o cualquier otra pieza dañada deben repararse en forma adecuada o reemplazarse. Comuníquese con nuestra línea de ayuda de atención al cliente al 1-800-313-5111 para recibir asistencia.

ILUMINACIÓN. Trabaje sólo con luz natural o buena luz artificial.

NO ADOPTE UNA POSTURA INCÓMODA. Mantenga una base y equilibrio apropiados en todo momento.

NORMAS GENERALES DE SEGURIDAD

ENCHUFES POLARIZADOS. Para reducir el riesgo de una descarga eléctrica, este equipo tiene un enchufe polarizado (un contacto es más ancho que el otro). Se debe utilizar un cable de extensión polarizado adecuado de dos o tres cables. Las conexiones polarizadas encajan de una sola manera. Cerciórese de que el extremo del receptáculo del cable de extensión tenga ranuras de anchos diferentes para los contactos. Invierta el enchufe si no encaja totalmente en el cable de extensión. Si aún así no encaja, consiga un cable de extensión adecuado. Si el cable de extensión no se adapta bien al tomacorriente, llame a un electricista competente para que instale un tomacorriente adecuado. No cambie el enchufe ni el cable de extensión de la herramienta de ningún modo.

⚠️ ADVERTENCIA: No aplique ninguna clase de accesorio o dispositivo de sujeción a la desbrozadora. Dicha práctica podría resultar peligrosa.

⚠️ ADVERTENCIA: Parte del polvo y los desechos generados por el uso de esta herramienta contienen químicos reconocidos por el Estado de California como causantes de cáncer, defectos de nacimiento u otros efectos nocivos para el aparato reproductor. Algunos ejemplos de estos productos químicos son:

- * químicos presentes en fertilizantes
- * compuestos presentes en insecticidas, herbicidas y pesticidas
- * arsénico y cromo de maderas tratadas químicamente

El riesgo que usted corre al exponerse a estos químicos varía según la frecuencia con la que realiza este tipo de trabajo. Para reducir la exposición, trabaje en una zona bien ventilada y utilice equipo de protección aprobado, como mascarillas antipolvo especialmente diseñadas para filtrar partículas microscópicas.

⚠️ ADVERTENCIA: Proposición 65 de California: Este producto contiene sustancias químicas al estado de California como causantes de cáncer, defectos de nacimiento u otros problemas reproductivos.

MONTAJE

LISTA DE EMBALAJE

Desbrozadora; protector de seguridad; manual de instrucciones, Paquete de ferretería (adjunto al protector de seguridad)

DESEMBALAJE

Este producto requiere algunas operaciones de montaje.

Extraiga la herramienta y los accesorios de la caja con cuidado. Asegúrese de que estén incluidos todos los elementos detallados en la lista de embalaje.

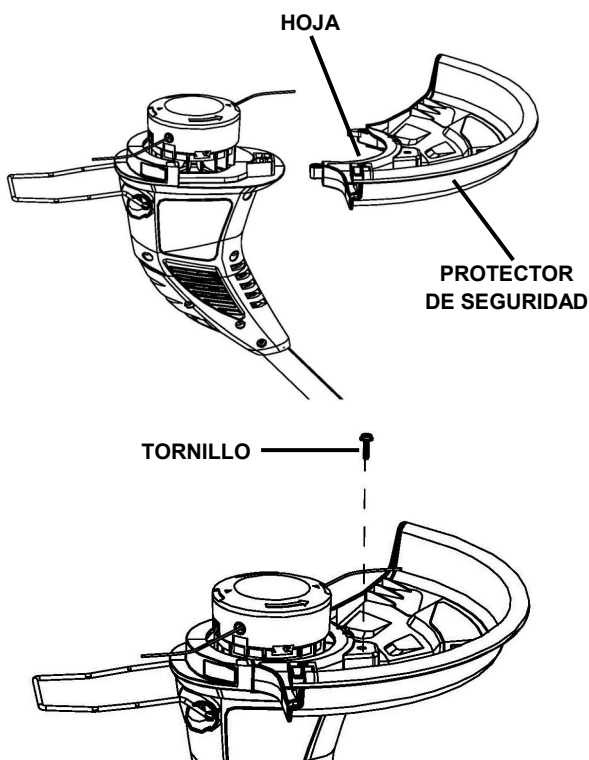
Inspeccione el producto detenidamente para corroborar que no existan roturas ni averías ocurridas durante el envío.

No deseche el material de embalaje hasta haber inspeccionado exhaustivamente el producto y comprobar que funciona en forma satisfactoria.

Si alguna pieza falta o está dañada, llame al 1-800-313-5111 para obtener asistencia.

COLOCACIÓN DEL PROTECTOR

Monte el protector como se muestra a continuación, insertándola en la ranura de la cabeza de la carcasa del motor. Utilice un destornillador Phillips para ajustar el tornillo. Retire la cinta adhesiva de la hoja.



⚠️ ADVERTENCIA: No conecte la herramienta al suministro eléctrico antes de finalizar el montaje. De lo contrario, la máquina podría arrancar accidentalmente y provocar lesiones personales de gravedad.

⚠️ ADVERTENCIA: Si alguna pieza falta o está dañada, no utilice este producto hasta reponer la pieza en cuestión. De lo contrario, podría sufrir lesiones personales de gravedad.

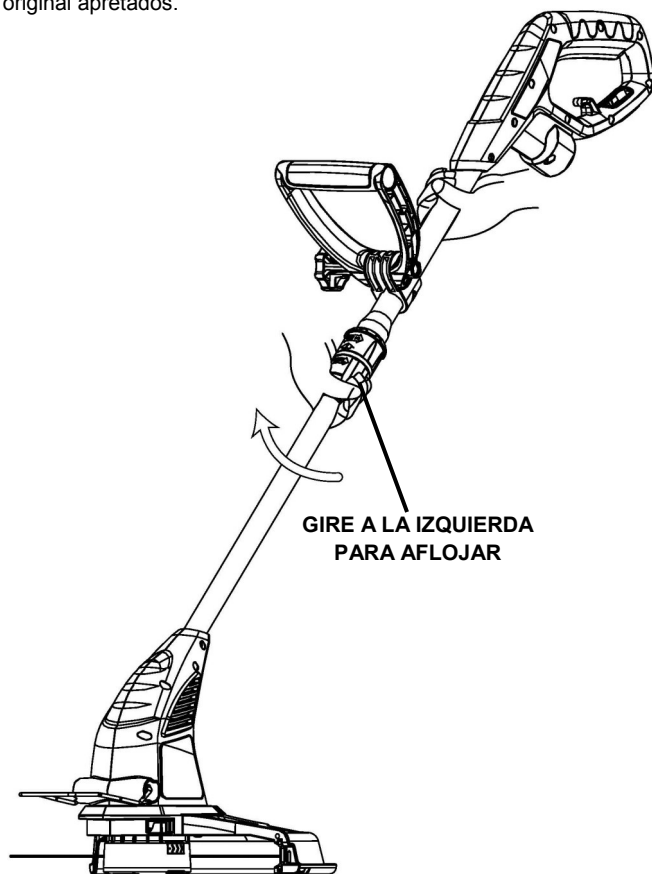
⚠️ ADVERTENCIA: No utilice la desbrozadora si el protector no está colocado.

AJUSTE DEL MANGO AUXILIAR

Para obtener una mayor comodidad y control, regule el mango auxiliar de acuerdo a su altura. Los usuarios de menor estatura ajustan el mango en una posición inferior (lejos del cuerpo) y los de mayor estatura lo ajustan en una posición superior (hacia el cuerpo). El mango se debe ajustar de tal modo que el brazo de adelante quede extendido.

AJUSTE DE LA ALTURA

Para regular la altura total de la desbrozadora, afloje el collar de fijación. Luego puede acortar o extender los tubos. Una vez que logra la altura deseada, gire el anillo de fijación de nuevo a la posición original apretados.



FUNCIONAMIENTO

ENCENDIDO DE LA HERRAMIENTA

Presione el botón de bloqueo con el dedo pulgar y luego apriete el gatillo con los dedos. (Una vez que la herramienta está en marcha, puede soltar el botón de bloqueo.) Para apagar la máquina, suelte el gatillo.

Antes de encender la unidad, asegúrese de que no esté en contacto con ningún objeto.

- ⚠ **ADVERTENCIA:** El hilo puede lanzar piedras, trozos de metal y otros objetos a gran velocidad. La unidad y el protector están diseñados para reducir este peligro.
- ⚠ **ADVERTENCIA:** Para prevenir daños personales, tenga en cuenta las siguientes recomendaciones:
 - Lea el manual de instrucciones antes de usar el producto y guárdelo para consultas futuras.
 - Mantenga las manos alejadas de los hilos.
 - Sostenga la herramienta con ambas manos en los mangos.
 - No adopte una postura incómoda.

INSTRUCCIONES DE CORTE

Procedimiento básico de corte

Use guantes antideslizantes para lograr un máximo agarre y una protección adecuada.

Para lograr el mejor corte contra paredes, cercas y en césped o pastos altos, desplace la desbrozadora lentamente de modo que el corte se realice CON LA PUNTA del hilo de nylon a alta velocidad.

Evite que el eje de la herramienta entre en contacto con el suelo.

Corte sólo cuando el césped y las malezas estén secos.

NOTA: Al descender la temperatura ambiente, aumenta la tendencia del hilo de nylon a romperse. NO USE LA DESBROZADORA CUANDO LA TEMPERATURA SEA INFERIOR A 10 °C (50 °F).

Corte los pastos altos de arriba hacia abajo.

Sujete la desbrozadora con la mano derecha en el mango trasero y la mano izquierda en el mango delantero. Debe adoptar una postura cómoda, con el mango trasero a la altura de la cadera.

- ⚠ **ADVERTENCIA:** Sostenga la herramienta lejos del cuerpo en todo momento. El contacto con el cabezal de corte de la desbrozadora mientras está en funcionamiento puede provocar lesiones personales de gravedad.

La vida útil del hilo de nylon depende del cumplimiento de las instrucciones de uso correcto, además de qué se corta y dónde se realiza el corte.

- ⚠ **ADVERTENCIA:** No corte cerca de cableados eléctricos.

INSTRUCCIONES DE CORTE

- Oriente la unidad en el ángulo que se observa en la ilustración. (Fig. 1)

- Desplace la desbrozadora de lado a lado lentamente como se muestra. (Fig. 2)

- Si desea transformar la herramienta en una bordeadora de mantenimiento, primero debe apagarla. Sostenga la desbrozadora con una mano en el mango auxiliar, presione el collar en la dirección que indica la flecha y gire el cabezal de la máquina hasta que se detenga (medio giro), suelte la mano, (gire en el sentido de las agujas del reloj, visto desde el extremo del interruptor). De este modo, la herramienta queda ajustada en la posición de bordeadora. (Fig. 3)

- Rote la guía de borde de alambre hacia adelante y hacia abajo hasta que quede bien instalada antes de comenzar a bordear.

- Para utilizar la herramienta como bordeadora de mantenimiento, ubíquela por encima de la acera como muestra la ilustración. (Fig. 4)

- Si desea volver a la posición de desbrozadora, apague la herramienta, presione en la dirección de la flecha y gire el cabezal en el sentido contrario a las agujas del reloj hasta que se detenga. Cuando usa la herramienta en el modo de desbrozadora, puede elegir plegar la guía de borde hacia arriba para que no estorbe.

- ⚠ **ADVERTENCIA:** No opere la desbrozadora en un árbol, en una escalera ni en un andamio; esto es sumamente peligroso.

- ⚠ **PRECAUCIÓN:** Inspeccione el área de trabajo y elimine alambres, cables, hilos u objetos similares que pudieran enredarse en el hilo giratorio o en el carrete. Sea particularmente cuidadoso con los alambres que puedan proyectarse hacia afuera e interponerse en el recorrido de la herramienta; por ejemplo, púas en la base de una cerca de alambre.

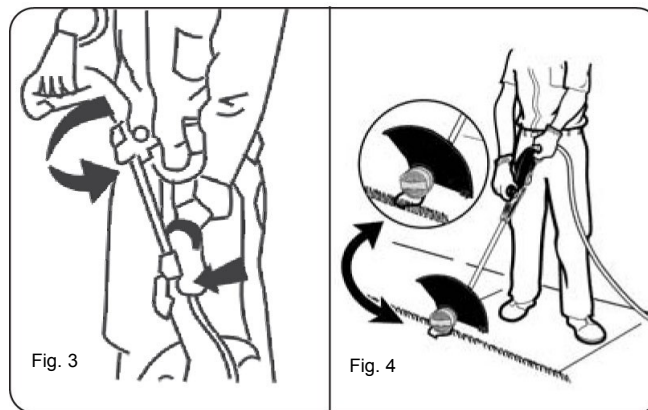
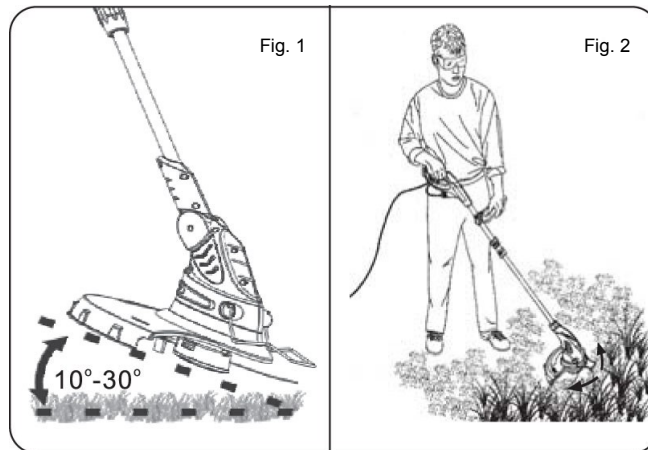
Si la herramienta golpea o se enreda con algún objeto extraño, deténgala de inmediato y verifique si hay daños; en ese caso, hágala reparar antes de usarla nuevamente. No utilice la desbrozadora si el eje o el carrete están rotos.

- ⚠ **ADVERTENCIA:** No permita que la familiaridad con este tipo de productos termine en negligencia. Recuerde que un segundo de descuido es suficiente para provocar una lesión grave.

- ⚠ **PRECAUCIÓN:** Los hilos se mueven por inercia después de apagar el motor.
 - No trabaje en condiciones de humedad.
 - No utilice la herramienta si el cable de extensión está dañado.

AVANCE DEL HILO

La desbrozadora utiliza hilo de nylon de 1,65 mm (0,065 in) de diámetro para cortar césped y malezas en forma rápida y fácil. Con el tiempo, la punta del hilo de nylon se gasta y el mecanismo de alimentación automática avanzará y cortará un trozo de hilo nuevo automáticamente. El hilo de corte se desgasta con mayor rapidez si el corte se realiza a lo largo de las aceras u otras superficies abrasivas o si se cortan malezas más densas. El hilo avanza aproximadamente 6 mm (1/4 in) con cada detención y arranque del gatillo del interruptor hasta que alcanza la longitud de la cuchilla del deflector de hierba. **No golpee la unidad contra el suelo** al intentar avanzar el hilo ni por cualquier otro motivo.



FUNCIONAMIENTO

INSTRUCCIONES DE CORTE

REEMPLAZO DEL CARRETE Y SOLUCIÓN EN CASO DE ATASCOS E HILOS ENREDADOS

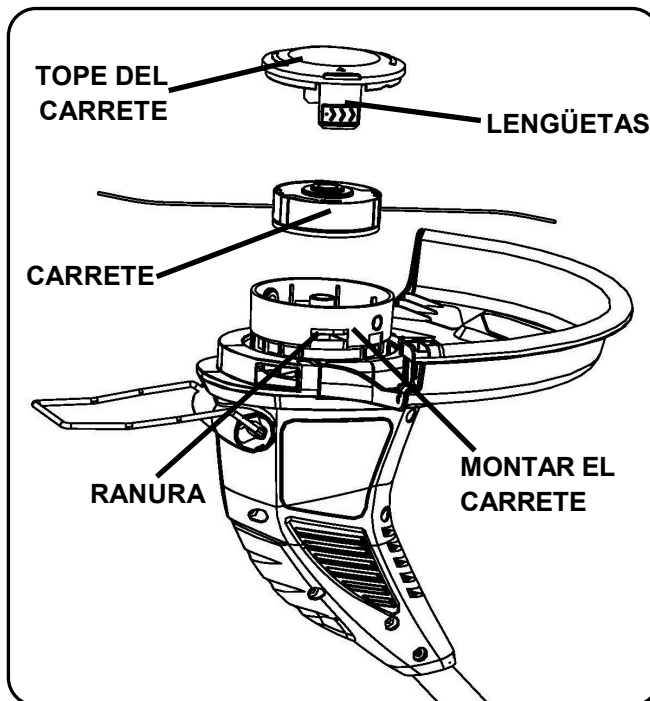
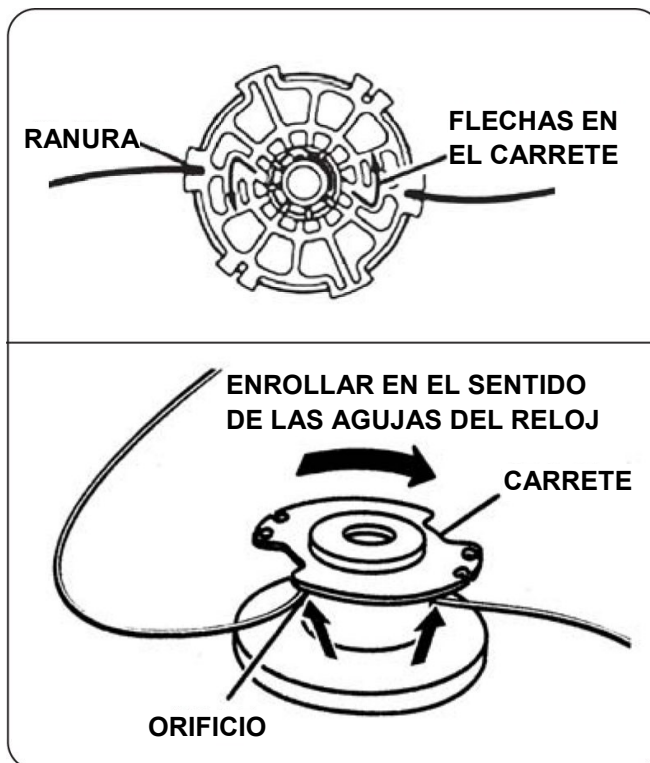
De vez en cuando, especialmente al cortar malezas duras o densas, el eje de alimentación del hilo puede obstruirse con savia u otro material y, por consiguiente, se atasca. Para desatascar el hilo, siga estos pasos.

- Apague la desbrozadora y desconéctela del suministro eléctrico.
- Presione las lengüetas de desbloqueo en la tapa del carrete de hilo y tire de la tapa para extraerla.
- Levante el carrete de hilo de nylon para sacarlo del eje y elimine el hilo roto o los desechos de corte del área del carrete.
- En caso de atascos e hilo enredado, desenrolle aproximadamente 30 cm (1 pie) de hilo para asegurarse de que no esté dañado. Si está en buenas condiciones, rebóbinelo e introduzca los extremos en los ojales del eje del carrete.
- Presione el carrete hacia abajo **SUAVEMENTE** y gírelo hasta sentir que entra en su lugar. (Cuando está bien colocado, el carrete girará unos grados a la izquierda y a la derecha libremente.)
- Vuelva a colocar la tapa del carrete, enchufe el cable en el tomacorriente y encienda la herramienta. En unos segundos o menos oírás que el hilo se corta automáticamente con la longitud adecuada.

REBOBINADO DEL HILO A GRANEL EN EL CARRETE (USE SÓLO HILO DE 1,65 MM [0.065 IN] DE DIÁMETRO)

El distribuidor o centro de servicio local ofrece hilo a granel para su desbrozadora/bordeadora con un costo adicional. Para instalar el hilo a granel, siga estos pasos:

- Apague la desbrozadora y desconéctela del suministro eléctrico.
- Extraiga el montaje del carrete de la herramienta; para esto, sostenga la parte estriada externa del montaje con una mano mientras presiona hacia abajo y gira el cabezal del carrete con la otra mano para destrabarlo.
- Quite el hilo que haya quedado en el carrete.
- Tome un trozo de aproximadamente 2,75 m (9 pies) de hilo de reemplazo de 1,65 mm (0,065 in) y realice un lazo dejando los extremos de la misma longitud. Inserte el centro del lazo en la ranura del carrete.
- Enrolle el hilo en el carrete en forma ajustada y en la dirección que indica la flecha hasta que queden 15 cm (6 in) de hilo.
- Trabe cada extremo del hilo en la ranura de retención opuesta.
- Introduzca cada extremo del hilo en el ojal superior y el inferior de la tapa plástica blanca.
- Inserte el hilo a través de cada ojal del portacarrete y coloque el carrete en el portacarrete.
- Inserte el resorte y vuelva a montar el carrete y el portacarrete en la desbrozadora.
- Para eso, presione el cabezal y gírelo en el sentido de las agujas del reloj hasta que se trabe.
- Vuelva a enchufar la desbrozadora y en unos segundos o menos oírás que el hilo se corta automáticamente con la longitud adecuada.



MANTENIMIENTO

⚠ **PRECAUCIÓN:** Evite en todo momento que líquidos de frenos, gasolina, productos a base de petróleo, aceites penetrantes, etc., entren en contacto con piezas plásticas, debido a que contienen químicos que pueden dañar, debilitar o destruir el plástico.

Cerciórese de que la desbrozadora esté desconectada del suministro eléctrico y luego utilice únicamente un jabón suave y un paño húmedo para limpiar la herramienta. No permita que se filtre líquido en el interior de la herramienta ni sumerja ninguna pieza en líquido.

Los fertilizantes y otros productos químicos para el jardín contienen agentes que aceleran la corrosión de los metales en forma considerable. No guarde la herramienta junto a fertilizantes ni productos químicos.

⚠ **IMPORTANTE:** A fin de garantizar la **SEGURIDAD** y la **CONFIABILIDAD** del producto, las reparaciones, el mantenimiento y los ajustes deben estar a cargo de una persona calificada, y siempre se deben utilizar repuestos idénticos.

Si la desbrozadora se ha caído, inspecciónela cuidadosamente para comprobar si sufrió algún daño. Si el protector está doblado o tiene grietas o los mangos están rotos, o si detecta alguna otra condición que pudiera afectar el funcionamiento de la desbrozadora, llame al 1-800-313-5111 para obtener asistencia.

DETECCIÓN Y SOLUCIÓN DE PROBLEMAS

Problema	Posible causa	Posible solución
- La unidad no funciona.	- El cable de extensión no está conectado al enchufe. - El cable no está conectado a la fuente de alimentación. - El botón de bloqueo no está en la posición correcta.	- Verifique que el cable de extensión esté bien conectado a la herramienta. - Asegúrese de que el cable de extensión esté bien conectado a un receptáculo activo. - Compruebe que el botón de bloqueo se encuentre totalmente presionada antes de accionar el gatillo.
- El hilo no avanza.	- El hilo está enredado en el carrete.	- Desenrolle 60 cm (24 in) de hilo y rebobine.
- El hilo no se corta.	- La cortadora de hilo en el protector falta o está dañada. - El hilo sobrepasa el protector.	- Visite el centro de servicio para un cambio o reparación de la pieza. - Rebobine o corte el hilo al nivel de la cortadora de hilo.

¡LLÁMENOS PRIMERO!

Llámenos primero si tiene preguntas sobre el funcionamiento o el mantenimiento de su desbrozadora al 1.800.313.5111, de 7:30 a 16:30, hora estándar del este, o envíe un correo electrónico a earthwise@reelin.com.

CARACTERÍSTICAS

ESPECIFICACIONES DEL PRODUCTO

ST00115

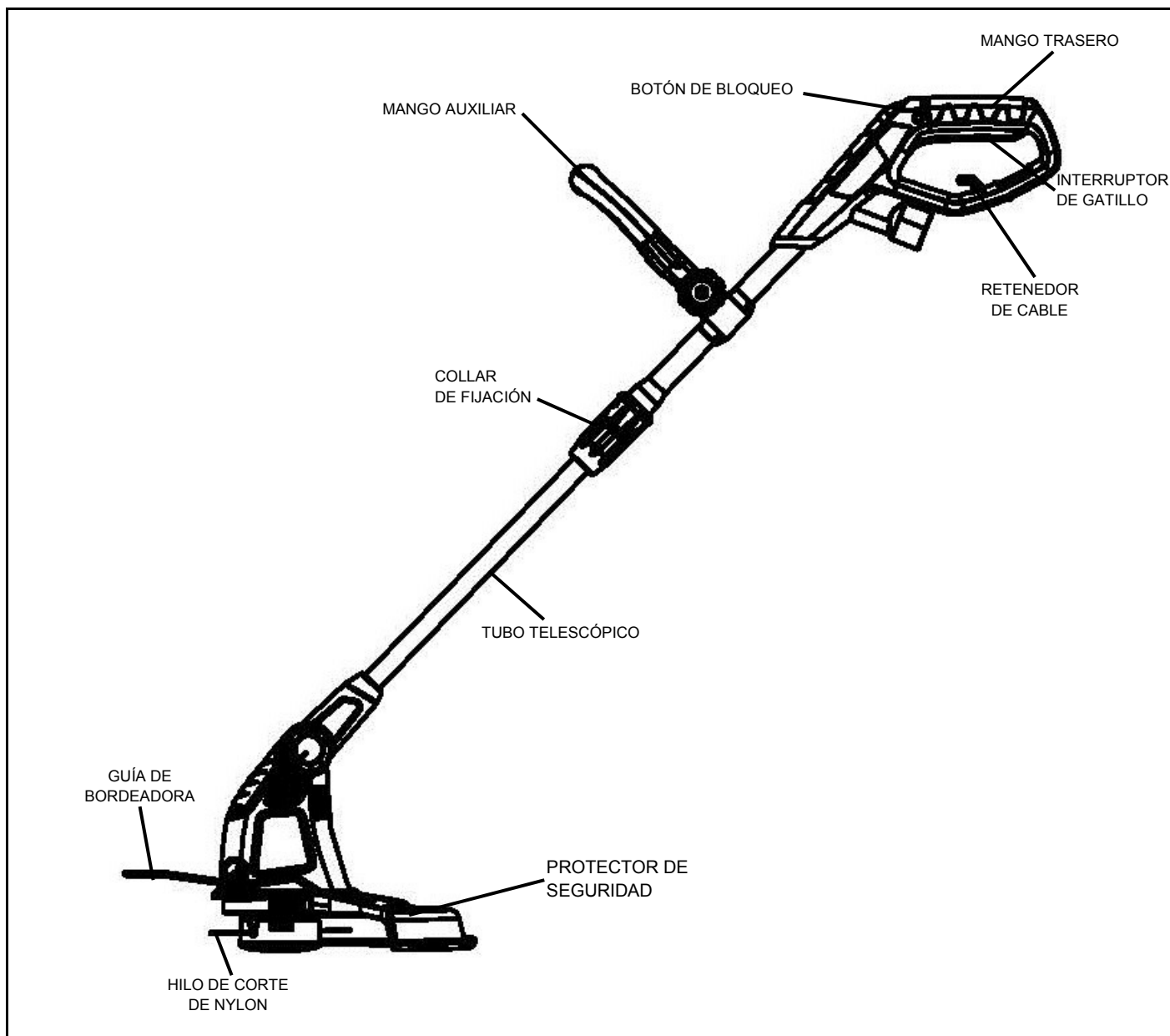
Entrada120 V, 60 Hz, 5 amp

Velocidad 7500 RPM

Ancho de corte 38 cm (15 in)

Peso 2,6 kg (5,73 libras)

- Hilo doble de 1,65 mm (0,065 in) de diámetro - Alimentación automática - Altura regulable - Cabezal regulable en 4 posiciones



GARANTÍA

GARANTÍA LIMITADA PARA MODELOS ELÉCTRICOS CON CABLE

Este producto ha sido fabricado por The Great States Corporation/American Lawn Mower Company. The Great States Corporation/American Lawn Mower Company, Shelbyville, Indiana, ha fabricado máquinas cortacésped durante más de 100 años y garantiza al propietario original que cada uno de los productos y repuestos nuevos no tienen defectos de materiales ni de fabricación, y se compromete a reparar o sustituir, conforme a esta garantía, cualquier pieza o producto defectuoso por (2) años a partir de la fecha original de compra, a excepción de las condiciones y circunstancias detalladas a continuación. Todos los reclamos de garantía deben estar acompañados de un comprobante de compra (recibo de compra con la fecha original).

ESTA GARANTÍA NO ES TRANSFERIBLE Y NO CUBRE:

Productos vendidos con averías o incompletos, vendidos en las condiciones que se encuentren, reacondicionados o usados como equipos de alquiler.

Entrega, instalación ni ajustes normales que se explican en el manual del operario.

Daños ni inconvenientes causados por envío, manipulación inadecuada, instalación incorrecta, voltaje o cableado incorrecto, mantenimiento deficiente, modificaciones inadecuadas o el uso de accesorios o dispositivos de sujeción no recomendados específicamente.

Reparaciones necesarias por el uso indebido o negligencia del operario, o por no instalar, operar, mantener o guardar el producto conforme a las instrucciones del manual del operario.

Daños causados por el frío, el calor, la lluvia, la humedad excesiva, ambientes y materiales corrosivos u otros contaminantes.

Elementos consumibles que se desgastan con el uso normal.

Defectos cosméticos que no interfieren con la funcionalidad de la herramienta.

Costos de flete del cliente al proveedor.

Costos de reparación y transporte de piezas o productos que no se consideren defectuosos.

PÉRDIDAS, DAÑOS O GASTOS INCIDENTALS, INDIRECTOS O CONSECUENCIALES QUE OCURRAN COMO RESULTADO DE DEFECTOS, FALLAS O MAL FUNCIONAMIENTO DEL PRODUCTO.

Algunos estados no permiten la exclusión o limitación respecto de la duración de una garantía implícita; por lo tanto, es posible que las limitaciones enunciadas anteriormente no le correspondan.

EL USO COMERCIAL O NO RESIDENCIAL ANULA TODAS LAS GARANTÍAS.



The Great States Corporation
American Lawn Mower Company
830 Webster Street
Shelbyville, IN 46176
Teléfono 1-800-313-5111
www.americanlawnmower.com

Con el compromiso constante de mejorar la calidad, el fabricante se reserva el derecho de modificar los componentes o diseñar cambios cuando lo considere necesario.

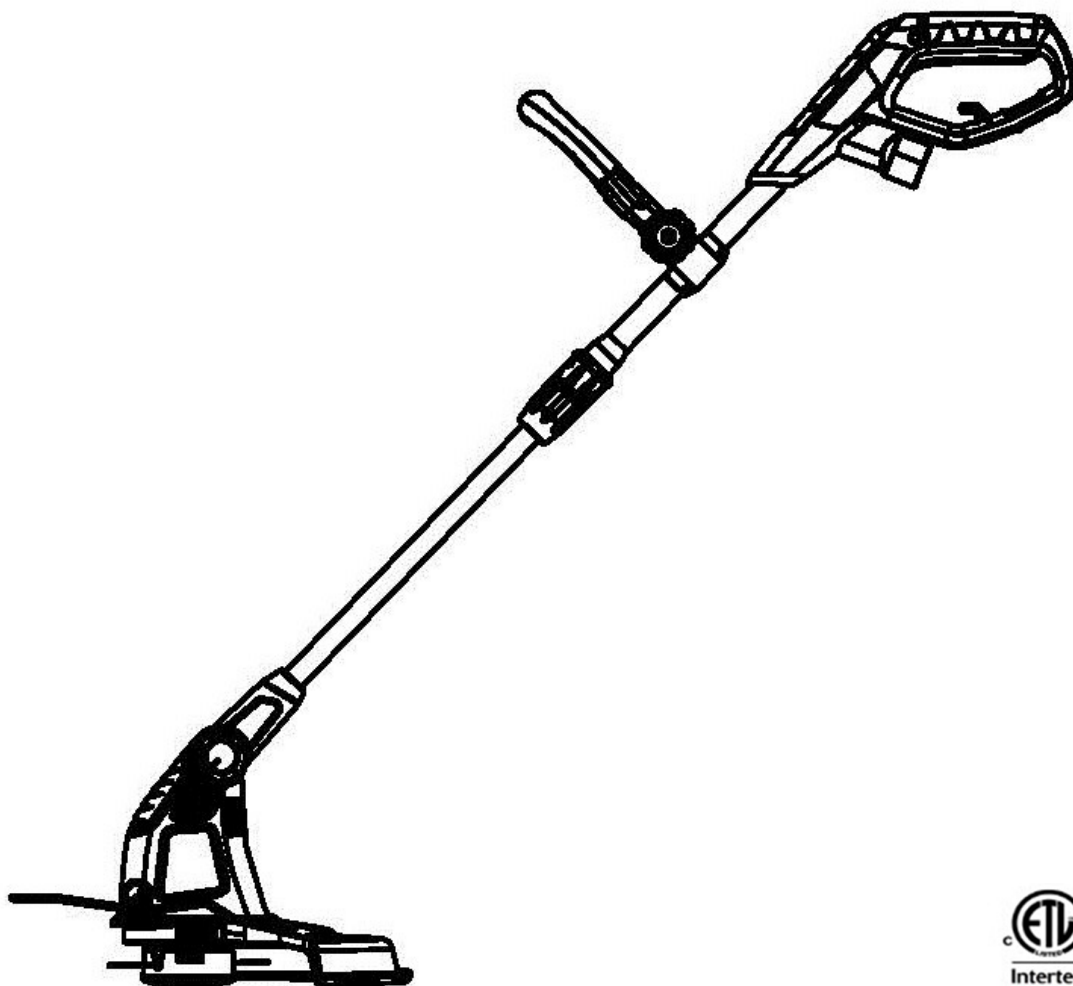


MANUEL DE L'UTILISATEUR TONDEUSE À FIL ÉLECTRIQUE

Ce produit est protégé par des brevets américains et d'autres brevets internationaux

Copyright. Tous droits réservés.

38 cm (15 po) – ST00113




Intertek
4010773



Votre tondeuse à fil a été conçue et fabriquée selon notre norme élevée de fiabilité, de facilité d'utilisation et de sécurité de l'utilisateur. Correctement entretenue, elle vous procurera des années de service intensif et sans soucis.



AVERTISSEMENT : afin de réduire le risque de blessure, l'utilisateur doit lire et comprendre le manuel de l'utilisateur avant d'utiliser ce produit.

Merci pour votre achat.

NE RENVOYEZ PAS CE PRODUIT AU MAGASIN. AVEZ-VOUS DES QUESTIONS CONCERNANT LE FONCTIONNEMENT, L'ASSEMBLAGE, LES PIÈCES OU LA RÉPARATION DU PRODUIT?
COMPOSEZ LE 1-800-313-5111 DE 07 h 30 à 16 h 30, HEURE NORMALE DE L'EST, POUR TOUTE ASSISTANCE.

CONSERVEZ CE MANUEL POUR RÉFÉRENCE ULTÉRIEURE

⚠ AVERTISSEMENTS IMPORTANTS DE SÉCURITÉ ⚠

POUR RÉDUIRE LE RISQUE DE BLESSURE :

Avant toute utilisation, assurez-vous que toute personne utilisant cet outil a lu et compris toutes les consignes de sécurité et les autres informations contenues dans ce manuel.

⚠ ATTENTION : portez des protections appropriées des oreilles pendant l'utilisation. Dans certaines conditions et durées d'utilisation, le bruit émis par ce produit peut contribuer à une perte de l'ouïe.

Conservez ces instructions et relisez-les souvent avant l'utilisation et pour l'instruction d'autres personnes.

⚠ AVERTISSEMENT : lors de l'utilisation d'outils électriques de jardinage, les consignes de sécurité de base doivent toujours être suivies afin de réduire le risque d'incendie, de décharge électrique et de blessure, notamment :

LIRE TOUTES LES INSTRUCTIONS

SÉCURITÉ GÉNÉRALE

NE PAS TIRER SUR LE CÂBLE D'ALIMENTATION – Ne portez jamais la tondeuse à fil par le câble d'alimentation et ne tirez jamais celui-ci pour le débrancher. Maintenez le câble à l'écart de la chaleur, de l'huile et des bords tranchants.

GARDER HORS DE PORTÉE DES ENFANTS – Tous les visiteurs, enfants et animaux domestiques doivent rester au-delà du périmètre de sécurité de la zone de travail.

S'HABILLER DE FAÇON APPROPRIÉE – Ne portez pas des vêtements amples ou des bijoux. Portez une protection des cheveux pour contenir les cheveux longs. Ceux-ci peuvent être happés par des pièces mobiles. L'utilisation de gants en caoutchouc et de chaussures robustes est recommandée pour les travaux à l'extérieur.

PORTER DES LUNETTES DE SÉCURITÉ – Lors de l'utilisation de ce produit, portez des lunettes de sécurité avec des écrans latéraux portant une marque de conformité à la norme ANSI Z87.1. Portez un masque facial ou anti-poussière en présence de poussières.

Une protection par **DISJONCTEUR DE FUITE DE TERRE (GFCI)** doit être présente sur le ou les circuits ou prises à utiliser pour la tondeuse à fil. Des prises avec une protection GFCI intégrée sont disponibles et peuvent être utilisées.

UTILISER LE BON OUTIL – N'utilisez pas l'outil pour une tâche pour laquelle il n'a pas été conçu.

RALLONGE. Assurez-vous que la rallonge est en bon état. Lors de l'utilisation d'une rallonge, assurez-vous qu'elle est d'un calibre suffisant pour transmettre le courant requis par le produit. Une rallonge de calibre insuffisant provoquera une baisse de tension qui entraînera une perte de puissance et une surchauffe. Le tableau suivant montre le calibre correct à utiliser en fonction de la longueur du câble et de l'intensité nominale de la plaque signalétique. En cas de doute, utilisez le calibre immédiatement supérieur. Plus le numéro de calibre est bas, plus le câble est lourd.

Calibre minimum pour les ensembles de câbles						
Tension	Longueur totale du câble en pieds					
120 V	0 à 7	8 à 15	16 à 30	31 à 45		
Intensité nominale		Calibre américain (AWG)				
Supérieure	Inférieure					
à	à					
0	- 6	18	16	16	14	
6	- 10	18	16	14	12	
10	- 12	16	16	14	12	
12	- 16	14	12	Non recommandé		

Il est possible de nouer la rallonge et le câble d'alimentation afin de les empêcher de se déconnecter pendant l'utilisation. Effectuez le nœud comme montré, branchez ensuite la prise du câble d'alimentation dans l'extrémité femelle de la rallonge. Cette méthode peut également être utilisée pour raccorder deux rallonges ensemble.



⚠ AVERTISSEMENT : utilisez des rallonges extérieures marquées SW-A, SOW-A, STW-A, STOW-A, SJW-A, SJTW-A ou SJTOWA. Ces câbles sont conçus pour une utilisation extérieure et réduisent le risque de décharge électrique.

DOUBLE ISOLATION – La double isolation est un concept de sécurité des outils électriques, qui élimine le besoin d'un cordon à 3 conducteurs avec terre. Toutes les pièces métalliques exposées sont isolées des composants métalliques du moteur interne par une isolation de protection. Il n'est pas nécessaire de raccorder les outils à double isolation à la terre.

REMARQUE : le système à double isolation est conçu pour protéger l'utilisateur d'une décharge électrique résultant d'une rupture dans l'isolation interne de l'outil. Suivez toutes les consignes de sécurité normales pour éviter une décharge électrique.

DÉBRANCHER LA TONDEUSE À FIL de l'alimentation quand elle n'est pas utilisée ou lors de l'entretien ou du nettoyage. Ne la laissez pas sans surveillance.

DÉBRANCHER LA TONDEUSE À FIL de l'alimentation quand elle n'est pas utilisée ou lors de l'entretien ou du nettoyage. Ne la laissez pas sans surveillance. Les moteurs de ces outils émettent normalement des étincelles, qui pourraient enflammer les vapeurs.

ÉVITER UNE MISE EN MARCHÉ ACCIDENTELLE – Ne portez pas la tondeuse à fil avec un doigt sur le contacteur. Assurez-vous que le contacteur est sur arrêt avant d'effectuer le branchement.

⚠ DANGER : Risque de coupure. N'approchez pas les mains du fil. Gardez les deux mains sur les poignées quand l'appareil est sous tension.

NE PAS TENTER d'enlever du matériau coupé, ni de tenir du matériau à couper quand les fils sont activés. Assurez-vous que la tondeuse à fil est hors tension pour enlever le matériau coincé dans les fils. Ne saisissez pas les protections ou les fils quand vous prenez ou tenez la tondeuse à fil.

⚠ ATTENTION : les fils tournent encore après la mise hors tension.

NE PAS FORCER LA TONDEUSE À FIL – Elle sera plus efficace et avec un moindre risque de blessure à l'intensité pour laquelle elle a été conçue.

RESTER VIGILANT – Regardez ce que vous faites. Faites preuve de bon sens. N'utilisez pas la tondeuse à fil si vous êtes fatigué ou sous l'influence de médicaments, de drogues ou d'alcool.

RANGER LA TONDEUSE À FIL À L'INTÉRIEUR – Lorsqu'elle n'est pas utilisée, la tondeuse à fil doit être rangée à l'intérieur dans un endroit sec et élevé ou verrouillé, hors de portée des enfants.

ENTREtenir LA TONDEUSE À FIL AVEC ATTENTION – Maintenez la propre pour un rendement optimal et pour réduire le risque de blessure. Inspectez régulièrement la rallonge et remplacez-la si elle est endommagée. Maintenez les poignées sèches, propres et exemptes d'huile et de graisse.

VÉRIFIER LES PIÈCES ENDOMMAGÉES – Avant de poursuivre l'utilisation de la tondeuse sans fil, toute protection ou autre pièce qui est endommagée doit être vérifiée avec précaution afin de déterminer qu'elle fonctionnera correctement et remplira sa fonction prévue. Vérifiez l'alignement des pièces mobiles, si des pièces mobiles sont coincées, la rupture de montage de pièces et toute autre condition pouvant affecter le fonctionnement de l'outil. Une protection ou une autre pièce endommagée doit être correctement réparée ou remplacée. Veuillez appeler le 1-800-313-5111 pour assistance.

ÉCLAIRAGE – N'utilisez la tondeuse à fil qu'à la lumière du jour ou sous un bon éclairage artificiel.

NE PAS ESSAYER DE COUPER TROP LOIN – Conservez toujours une assise correcte et un bon équilibre.

SÉCURITÉ GÉNÉRALE

FICHES POLARISÉES – Afin de réduire le risque de décharge électrique, cet équipement comporte une prise polarisée (une fiche est plus large que l'autre). Cet équipement doit être utilisé avec une rallonge adaptée polarisée à 2 ou 3 conducteurs. Les connexions polarisées ne peuvent être effectuées que dans un sens. Assurez-vous que la prise femelle de la rallonge comporte des emplacements pour une fiche large et une fiche étroite. Si la prise ne s'adapte pas entièrement dans la rallonge, inversez la prise. Si elle ne s'adapte toujours pas, obtenez une rallonge appropriée. Si la rallonge ne s'adapte pas entièrement dans la prise murale, contactez un électricien qualifié pour installer la prise correcte. Ne changez en aucun cas la prise de l'outil ou de la rallonge.

⚠ **AVERTISSEMENT : Proposition 65 de la Californie:** Ce produit contient des agents chimiques connus dans l'État de la Californie pour causer le cancer et des malformations congénitales ou autres appareil reproducteur.

⚠ **AVERTISSEMENT :** L'État de Californie considère que des poussières et débris créés par l'utilisation de cet outil sont susceptibles de contenir un ou plusieurs des produits chimiques qui sont cancérigènes et à l'origine de malformations congénitales ou d'autres troubles de l'appareil reproducteur. Parmi ces produits chimiques, citons :
- les produits chimiques contenus dans les engrais
- les composés contenus dans les insecticides, les herbicides et les pesticides
- l'arsenic et le chrome du bois traité chimiquement.

Votre risque d'exposition à ces produits chimiques varie en fonction du nombre de fois que vous effectuez ce type de travail. Afin de réduire l'exposition à ces produits chimiques, travaillez dans un endroit bien aéré et portez un équipement de sécurité homologué, comme un masque anti-poussière spécialement conçu pour filtrer les particules microscopiques.

⚠ **AVERTISSEMENT :** n'utilisez pas la tondeuse à fil avec n'importe quel type d'accessoire ou d'outil. Une telle utilisation pourrait être dangereuse.

ASSEMBLAGE

LISTE DU CONTENU

Tondeuse à fil - Carter de protection – Manuel d'instructions -
Paquet de pièces de quincaillerie (attaché à la garde de sécurité)

DÉBALLAGE

Ce produit requiert un assemblage.

Enlevez avec précaution le produit et les accessoires du carton. Assurez-vous que tous les éléments figurant dans la liste du contenu sont inclus.

Inspectez soigneusement le produit pour vous assurer qu'aucune casse ou endommagement ne s'est produit pendant le transport.

Ne jetez pas le matériau d'emballage tant que vous n'avez pas soigneusement inspecté et utilisé le produit de façon satisfaisante.

Si des pièces sont endommagées ou manquantes, veuillez appeler le 1-800-313-5111 pour assistance.

FIXATION DU CARTER DE PROTECTION

Assemblez le carter de protection comme indiqué en l'insérant dans la fente de la tête du carter du moteur. Avec un tournevis cruciforme, fixez le vis. Retirer le ruban-cache de la lame.

⚠ **AVERTISSEMENT :** ne branchez pas l'alimentation tant que l'assemblage n'est pas terminé. Le non respect de cette consigne peut entraîner un démarrage accidentel et éventuellement des blessures graves.

⚠ **AVERTISSEMENT :** si des pièces sont endommagées ou manquantes, n'utilisez pas ce produit tant que les pièces ne sont pas remplacées. Le non respect de cette consigne peut entraîner des blessures graves.

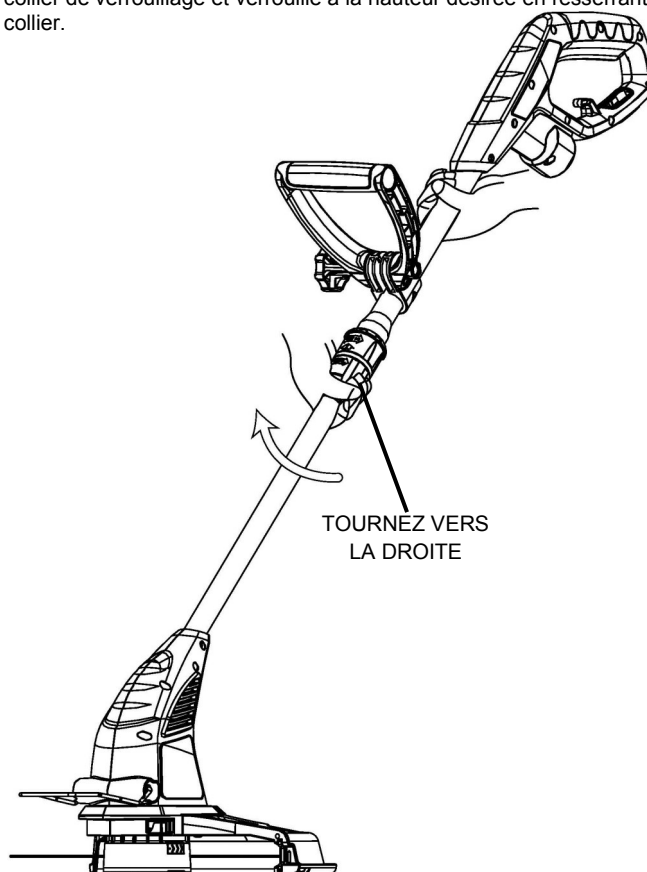
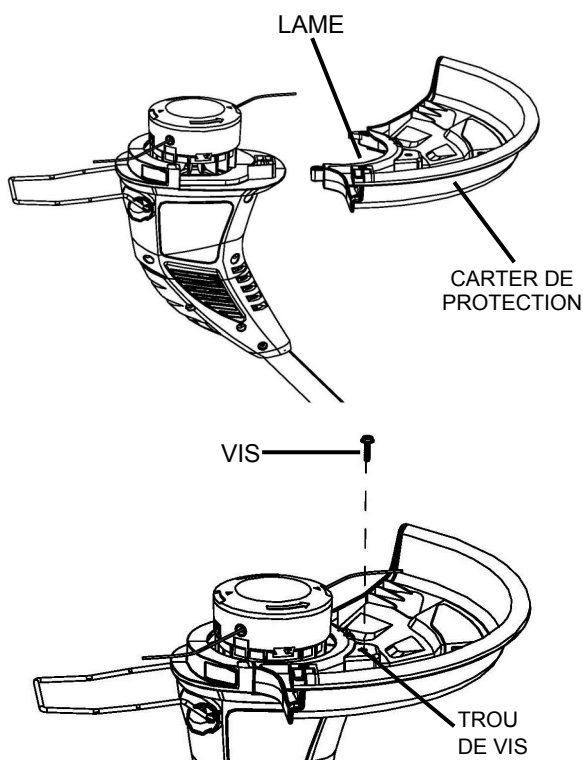
⚠ **AVERTISSEMENT :** n'utilisez pas la tondeuse à fil sans le carter de protection fixé.

RÉGLAGE DE LA POIGNÉE AUXILIAIRE

Pour un confort et une maîtrise maximum de l'outil, réglez la poignée auxiliaire en fonction de votre taille. Les utilisateurs plus petits régleront la poignée à une position plus basse (éloignée d'eux) et les utilisateurs plus grands régleront la poignée à une position plus haute (vers eux). La poignée doit être réglée de façon à ce que le bras avant soit droit.

RÉGLAGE DE LA HAUTEUR

La hauteur hors tout de la tondeuse à fil peut être réglée en desserrant le collier de verrouillage. Le tube peut alors être étendu en desserrant le collier de verrouillage et verrouillé à la hauteur désirée en resserrant le collier.



UTILISATION

MISE EN MARCHÉ DE L'OUTIL

Appuyez sur le bouton de verrouillage avec le pouce et pressez le contacteur gâchette avec les doigts. (Une fois que l'outil fonctionne, vous pouvez relâcher le bouton de verrouillage). Pour arrêter l'outil, relâchez le contacteur.

Avant de mettre l'outil en marche, assurez-vous que la tondeuse à fil ne touche aucun objet.

AVERTISSEMENT : des pierres, des morceaux de métal ou d'autres objets peuvent être projetés à grande vitesse par le fil. L'outil et le carter de protection sont conçus afin de réduire le danger.

AVERTISSEMENT : respectez les consignes suivantes pour éviter une blessure :

- Lisez le manuel d'instructions avant l'utilisation, conservez ce manuel d'instructions.
- N'approchez pas les mains des fils.
- Gardez les mains sur les poignées.
- N'essayez pas de Couper trop loin.

INSTRUCTIONS DE COUPE

Procédure de coupe de base

Portez des gants non glissants pour une tenue et une protection maximum.

Pour la meilleure coupe le long des murs, clôtures et dans l'herbe haute, déplacez la tondeuse à fil lentement afin que l'herbe soit coupée PAR L'EXTRÉMITÉ du fil en nylon à vitesse rapide.

Évitez de déplacer la tondeuse à fil avec le moyeu touchant le sol.

Ne coupez l'herbe ou le gazon que s'ils sont secs.

REMARQUE : lorsque la température baisse, le fil en nylon a tendance à davantage se rompre. **N'UTILISEZ PAS L'OUTIL À UNE TEMPÉRATURE INFÉRIEURE À 10 °C (50 °F).**

Coupez l'herbe haute de haut en bas.

Tenez toujours la tondeuse à fil avec la main droite sur la poignée à contacteur et la main gauche sur la poignée avant. La tondeuse à fil doit être tenue à une position confortable avec la poignée arrière au niveau de la taille.

AVERTISSEMENT : tenez toujours la tondeuse à fil à l'écart du corps. Tout contact avec la tête de coupe de la tondeuse à fil pendant l'utilisation peut provoquer des blessures graves.

La durée de vie du fil en nylon dépend du respect des instructions d'utilisation correcte, ainsi que du matériau coupé et de l'emplacement de la coupe.

AVERTISSEMENT : ne tondez pas à proximité de câbles électriques.

INSTRUCTIONS POUR LA COUPE

- Inclinez l'outil comme indiqué. (Fig. 1)
- Balancez doucement la tondeuse à fil d'un côté à l'autre, comme indiqué. (Fig. 2)
- Afin de convertir l'outil pour la maintenance de bordures, arrêtez-le. Tout en tenant la tondeuse à fil d'une main par la poignée auxiliaire, saisissez le collier et poussez dans le sens de la flèche et faites tourner la tête de la tondeuse à fil jusqu'à la butée (demi-tour), relâchez la main (tournez dans le sens contraire des aiguilles d'une montre en regardant à partir de l'extrémité contacteur). L'outil est verrouillé en position de coupe-bordure. (Fig. 3)
- Faites tourner le guide du fil en place vers l'avant et vers le bas avant de couper les bordures.
- Pour l'utiliser comme coupe-bordures, positionnez la tondeuse à fil au-dessus du passage, comme indiqué. (Fig. 4)
- Pour remettre l'outil en position de coupe, arrêtez-le, poussez dans le sens de la flèche et faites tourner la tête de la tondeuse à fil dans le sens contraire des aiguilles d'une montre jusqu'à ce qu'elle s'arrête. Lors de l'utilisation de l'outil en mode tondeuse à fil, vous pouvez choisir de plier le guide du fil hors de la trajectoire.

AVERTISSEMENT : n'utilisez pas la tondeuse à fil dans un arbre, sur une échelle ou sur un échafaudage; ceci est extrêmement dangereux.

ATTENTION : inspectez la zone à couper et enlevez tout fil de fer, câble ou objet fileux pouvant se faire prendre dans le fil ou la cassette en rotation. Faites particulièrement attention d'éviter tout fil de fer pouvant être tordu vers l'extérieur dans la trajectoire de l'outil, comme le fil barbelé à la base d'une clôture à mailles en losange.

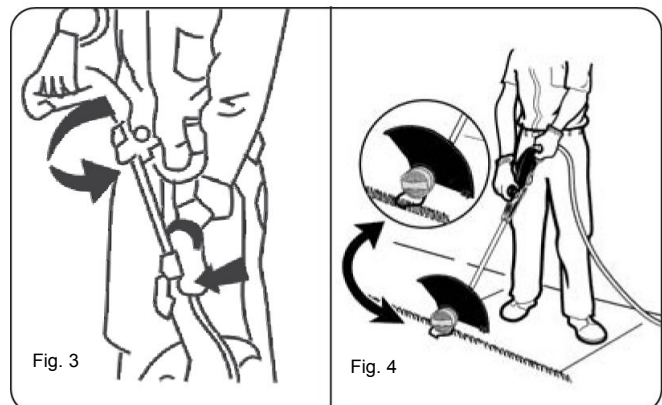
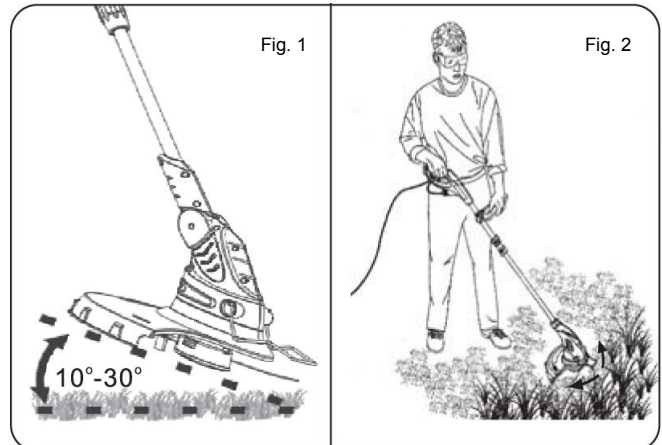
Si vous heurtez ou happez un objet étranger, arrêtez immédiatement l'outil, vérifiez s'il est endommagé et faites-le réparer s'il le faut avant de l'utiliser à nouveau. Ne l'utilisez pas avec un moyeu ou une cassette cassé.

AVERTISSEMENT : ne laissez pas l'habitude d'utiliser ce type de produit vous rendre imprudent. N'oubliez pas qu'une fraction de seconde d'inattention suffit pour infliger des blessures graves.

ATTENTION : Les fils tournent encore après la mise hors tension. N'utilisez pas l'outil dans des conditions mouillées. N'utilisez pas l'outil avec une rallonge endommagée.

AVANCE DU FIL

Votre tondeuse à fil utilise un fil en nylon de 1,65 mm (0,065 po) de diamètre afin de couper le gazon et les mauvaises herbes rapidement et facilement. Avec le temps, l'extrémité du fil en nylon s'use et le mécanisme d'alimentation automatique apporte et ajuste automatiquement une nouvelle longueur de fil. Le fil de coupe s'use plus rapidement si la coupe est effectuée le long de trottoirs ou d'autres surfaces abrasives ou si des herbes épaisses sont coupées. Le fil s'allonge d'environ 0,6 cm (¼ po) à chaque arrêt et démarrage du contacteur, jusqu'à ce qu'il atteigne la longueur de la lame du déflecteur d'herbe. **Ne cognez pas l'outil au sol** pour tenter de faire avancer le fil ou pour toute autre fin.



UTILISATION

INSTRUCTIONS DE COUPE

REPLACEMENT DE LA CASSETTE / ÉLIMINATION DES BOURRAGES ET DES FILS ENCHEVÊTRÉS

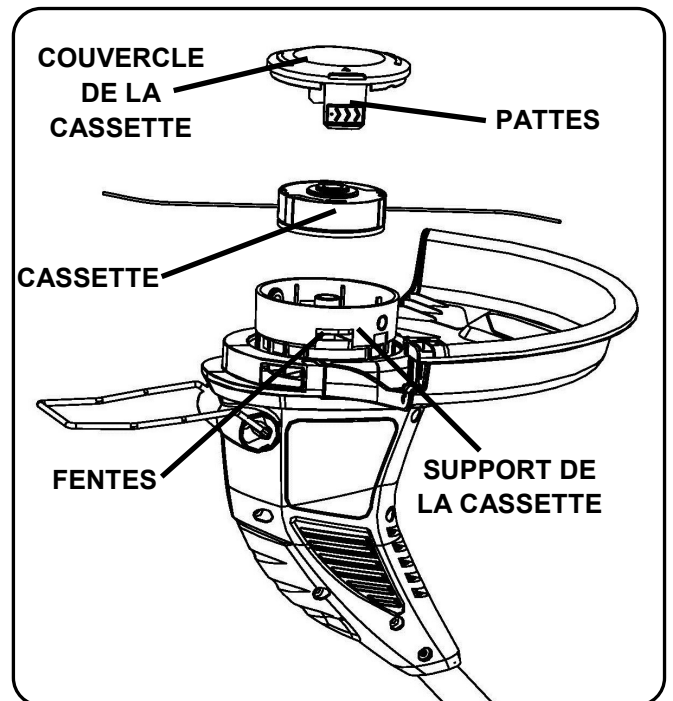
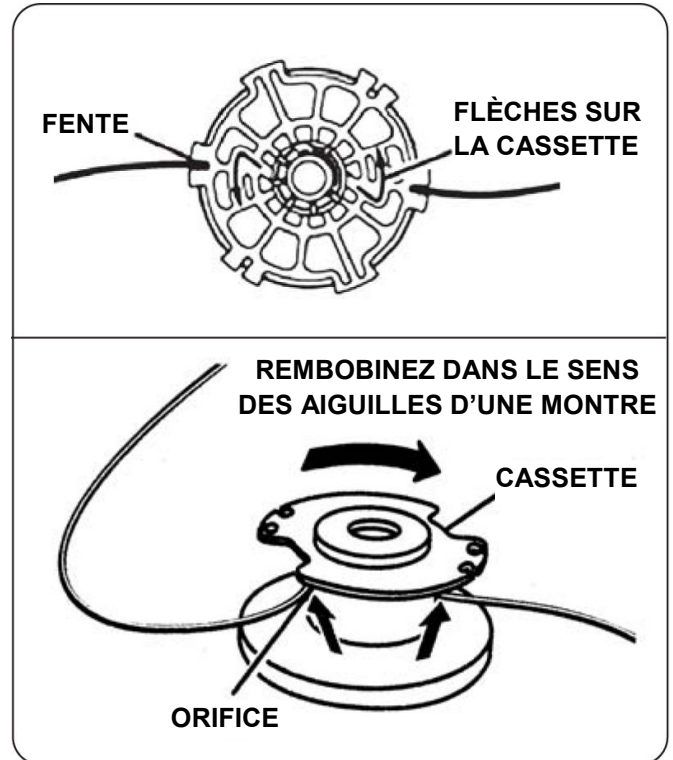
De temps en temps, surtout en cas de coupe d'herbes épaisses ou massives, le moyeu d'alimentation en fil peut s'obstruer avec de la sève ou d'autres matériaux et le fil peut se coincer. Pour éliminer l'obstruction, effectuez les étapes suivantes.

- Arrêtez la tondeuse à fil et débranchez-la de la source d'alimentation.
- Appuyez sur les pattes de libération du couvercle de la cassette et enlevez ce couvercle en le tirant tout droit.
- Levez la cassette de fil en nylon hors du moyeu et enlevez tout fil cassé ou débris de coupe de la zone de la cassette.
- En cas d'obstruction et de fil enchevêtré, déroulez environ 30 cm (1 pied) de fil pour vous assurer qu'il n'est pas endommagé. S'il est acceptable, rembobinez-le et insérez les extrémités du fil dans les œillets du moyeu de la cassette.
- Appuyez **DOUCEMENT** sur la cassette et tournez-la jusqu'à ce que vous la sentiez tomber en place. (Quand elle est en place, la cassette tourne librement de quelques degrés vers la gauche et la droite.)
- Emboîtez le couvercle de la cassette, insérez le câble d'alimentation dans la prise et mettez l'outil en marche. Au bout de quelques secondes ou moins, vous entendrez le fil se couper automatiquement à la longueur appropriée.

REBOBINAGE DE LA CASSETTE À PARTIR DE FIL EN VRAC (N'UTILISEZ QUE DU FIL DE 1,65 MM (0,065 PO) DE DIAMÈTRE)

Le fil en vrac pour votre tondeuse à fil/coupe-bordures est disponible à l'achat auprès de votre vendeur ou centre de réparation local. Effectuez les étapes suivantes pour installer le fil en vrac :

- Arrêtez la tondeuse à fil et débranchez-la de la source d'alimentation.
- Retirez la cassette de la tondeuse à fil. Pour cela, tenez la partie nervurée extérieure d'une main, tout en appuyant sur la cassette et en tournant sa tête pour la déverrouiller de l'autre main.
- Retirez tout fil restant sur la cassette.
- En utilisant environ 2,75 m (9 ft) de fil de 1,65 mm (0,065 po) de rechange, faites une boucle de 2 longueurs égales. Insérez le centre de la boucle dans la fente de la cassette.
- Enroulez le fil fermement autour de la cassette. Le fil s'embobine dans le sens de la flèche sur la cassette. Embobinez fermement jusqu'à ce qu'il reste environ 15 cm (6 po) de fil.
- Bloquez chaque extrémité du fil dans la fente de maintien opposée.
- Faites passer chaque extrémité du fil dans les œillets supérieurs et inférieurs du couvercle en plastique blanc.
- Insérez le fil dans chaque œillet du support de la cassette et faites coulisser la cassette sur celui-ci.
- Insérez le ressort, assemblez la cassette et son support sur la tondeuse à fil. Pour cela, poussez la tête et tournez-la dans le sens des aiguilles d'une montre jusqu'à ce qu'elle se verrouille.
- Branchez la tondeuse à fil et au bout de quelques secondes ou moins, vous entendrez le fil se couper automatiquement à la longueur appropriée.



MAINTENANCE

ATTENTION : ne laissez jamais de liquide de frein, d'essence, de produits à base de pétrole, d'huiles pénétrantes etc. entrer en contact avec les pièces en plastique. Ces produits contiennent des produits chimiques qui peuvent endommager, affaiblir ou détruire le plastique.

Assurez-vous que la tondeuse à fil est débranchée de la source d'alimentation et n'utilisez ensuite que du savon doux et un chiffon humide pour nettoyer l'outil. Ne laissez jamais de liquide entrer dans l'outil; n'immergez jamais une partie de l'outil dans du liquide.

Les engrais et autres produits chimiques de jardinage contiennent des agents qui accélèrent fortement la corrosion des métaux. Ne rangez pas l'outil sur ou à côté d'engrais ou de produits chimiques.

IMPORTANT : Pour garantir la SÉCURITÉ et la FIABILITÉ du produit, les réparations, la maintenance et le réglage doivent être effectués par une personne qualifiée qui utilise toujours des pièces de rechange identiques.

Si la tondeuse à fil tombe, vérifiez avec attention si elle est endommagée. Si le carter est tordu ou fendu ou les poignées cassées ou si vous voyez un autre état pouvant affecter le fonctionnement de la tondeuse à fil, veuillez appeler le 1-800-313-5111 pour assistance.

DÉPANNAGE

Problème	Cause possible	Solution possible
- L'appareil ne fonctionne pas	- La rallonge n'est pas branchée à la prise - Le câble n'est pas branché à la source d'alimentation - Le bouton de verrouillage n'est pas activé à fond	- Vérifier si la rallonge est complètement raccordée à l'outil - Vérifier si la rallonge est complètement raccordée à une prise sous tension - Vérifiez que le bouton de verrouillage est entièrement déprimé avant le déclenchement mobile
- Le fil n'avance pas	- Le fil est enchevêtré dans la cassette	- Dérouler 60 cm (24 po) de fil et le rembobiner
- Le fil n'est pas coupé	- La lame de coupe de fil du carter de protection est endommagée ou manquante - Le fil dépasse du carter de protection	- Renvoyer l'outil au centre de réparation pour remplacement/réparation - Rembobiner ou ajuster la lame de coupe du fil

APPELEZ-NOUS D'ABORD !!

Appelez-nous d'abord pour toute question concernant le fonctionnement ou la maintenance de votre tondeuse à fil au 1.800.313.5111 entre 7h30 et 16h30, heure normale de l'Est, ou envoyez des courriels à earthwise@reelin.com.

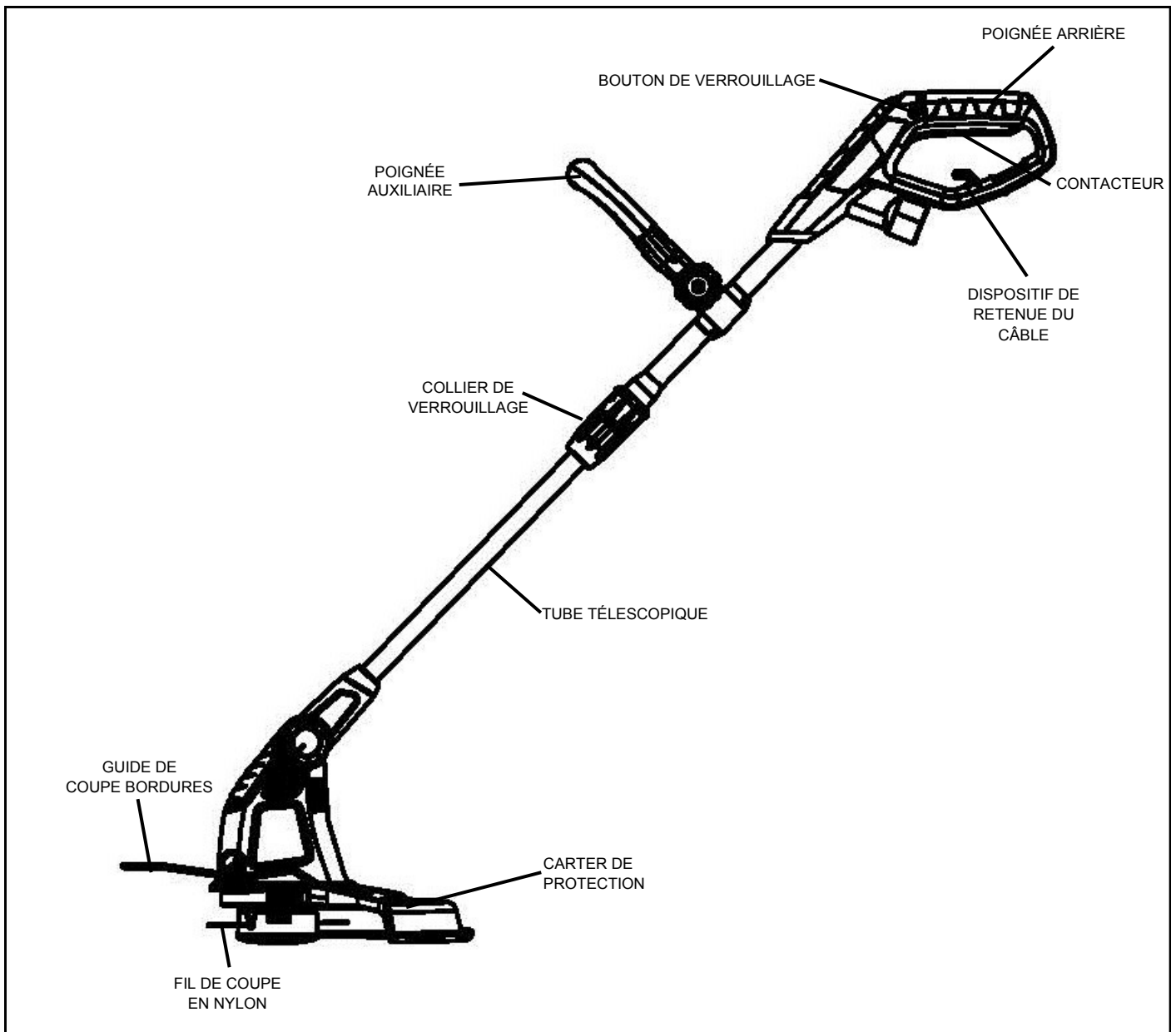
CARACTÉRISTIQUES

SPÉCIFICATIONS PRODUIT

ST00115

Entrée 120 V, 60 Hz, 5 A
Vitesse 7 500 tr/mn
Largeur de coupe 38 cm (15 po)
Poids 2,6 kg (5,73 lb)

- Fil double – Diamètre de 1,65 (0,065) - Alimentation automatique - Réglable en hauteur - Têtes réglable sur 4 positions



GARANTIE

GARANTIE LIMITÉE POUR LES MODÈLES ÉLECTRIQUES SANS FIL

Ce produit est fabriqué pour la société The Great States Corporation/American Lawn Mower Company. The Great States Corporation/American Lawn Mower Company, Shelbyville, Indiana, fabrique des tondeuses à gazon depuis plus de 100 ans et garantit au premier propriétaire que chaque produit neuf et pièces d'entretien est exempt de défauts de matériau et de fabrication et consent à réparer ou remplacer dans le cadre de cette garantie tout produit ou pièce défectueux pendant deux (2) ans à partir de la date d'origine d'achat, sauf pour les conditions et circonstances indiquées ci-dessous. Une preuve d'achat (original du reçu de vente daté) doit accompagner toute réclamation de garantie.

CETTE GARANTIE N'EST PAS TRANSFÉRABLE ET NE COUVRE PAS :

Les produits vendus endommagés ou incomplets, vendus «tels quels», vendus remis en état ou utilisés comme équipements de location.

La livraison, l'installation ou les réglages normaux expliqués dans le manuel de l'utilisateur.

Les dommages ou responsabilités provoqués par le transport, une mauvaise manipulation, une mauvaise installation, une tension ou un câblage incorrects, une mauvaise maintenance, une modification incorrecte ou l'utilisation d'accessoires et/ou d'outils non spécifiquement recommandés.

Les réparations nécessaires à cause d'un abus ou d'une négligence de l'opérateur, ou du manquement à l'installation, l'utilisation, la maintenance ou le stockage du produit conformément aux instructions figurant dans le manuel de l'utilisateur.

Les dommages causés par le froid, la chaleur, la pluie, une humidité excessive, des environnements et matériaux corrosifs ou d'autres contaminants.

Les éléments non réutilisables qui s'usent lors d'une utilisation normale.

Les défauts esthétiques qui n'interfèrent pas avec la fonctionnalité de l'outil.

Les frais de transport du client au revendeur.

Les frais de réparation et de transport des produits ou pièces avérés ne pas être défectueux.

TOUT DOMMAGE, PERTE OU FRAIS CONSÉCUTIF, INDIRECT OU CONSÉQUENT QUI POURRAIT RÉSULTER D'UN DÉFAUT, D'UNE DÉFAILLANCE OU D'UN DYSFONCTIONNEMENT DU PRODUIT. Certains états ne permettent pas l'exclusion ou la limitation de la durée d'une garantie implicite, les restrictions ci-dessus peuvent donc ne pas s'appliquer.

UNE UTILISATION NON RÉSIDENIELLE OU UNE UTILISATION COMMERCIALE ANNULE TOUTES LES GARANTIES.



The Great States Corporation
American Lawn Mower Company
830 Webster Street
Shelbyville, IN 46176
États-Unis
Téléphone 1-800-313-5111
www.americanlawnmower.com

Dans le cadre d'un engagement permanent d'amélioration de la qualité, le Fabricant se réserve le droit d'apporter des modifications à des composants ou à la conception si nécessaire.