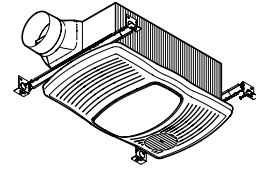


VENTILATION FAN WITH HEATER & LIGHT



READ AND SAVE THESE INSTRUCTIONS

IMPORTANT INSTRUCTIONS

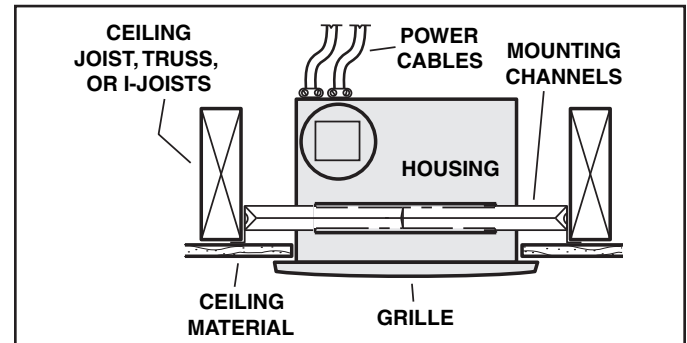
READ ALL INSTRUCTIONS BEFORE INSTALLING OR USING THIS HEATER.

To reduce the risk of fire, electric shock, or injury to persons, observe the following:

1. Use this unit only in the manner intended by the manufacturer. If you have questions, contact the manufacturer at the address or telephone number listed in the warranty.
2. Before servicing or cleaning unit, switch power off at service panel and lock the service disconnecting means to prevent power from being switched on accidentally. When the service disconnecting means cannot be locked, securely fasten a prominent warning device, such as a tag, to the service panel.
3. Installation work and electrical wiring must be done by a qualified person(s) in accordance with all applicable codes and standards, including fire-rated construction codes and standards.
4. When cutting or drilling into wall or ceiling, do not damage electrical wiring and other hidden utilities.
5. This heater is hot when in use. To avoid burns, do not let bare skin touch hot surfaces. Keep combustible materials, such as furniture, pillows, bedding, papers, clothes, etc. and curtains at least 3 feet (0.9 m) from the front of the heater.
6. Extreme caution is necessary when any heater is used by or near children or invalids and whenever the heater is left operating and unattended.
7. Do not operate any heater after it malfunctions. Disconnect power at service panel and have heater inspected by a reputable electrician before reusing.
8. Do not use outdoors.
9. To disconnect heater, turn controls to off, and turn off power to heater circuit at main disconnect panel (or operate internal disconnect switch, if provided).
10. Do not insert or allow foreign objects to enter any ventilation or exhaust opening, as this may cause an electric shock or fire, or damage the heater.
11. To prevent a possible fire, do not block air intakes or exhaust in any manner.
12. A heater has hot and arcing or sparking parts inside. Do not use it in areas where gasoline, paint, or flammable vapors or liquids are used or stored.
13. Use this heater only as described in this manual. Any other use not recommended by the manufacturer may cause fire, electric shock, or injury to persons.
14. This product must be grounded.
15. Do not install heater in a tub or shower enclosure.
16. THIS PRODUCT MUST BE MOUNTED IN A FLAT CEILING ONLY. Installations in ceilings 9-feet high or less will provide maximum comfort. DO NOT MOUNT THIS PRODUCT IN A WALL.
17. Install heater in ceiling only - at least 6 inches from any wall.
18. Do not connect heater to dimmer switch or speed control.
19. Provide a separate 20 AMP circuit. Use 12 GA. power cable of type which meets code. Use supply wiring rated for at least 90°C.
20. For greatest efficiency, install heater so heat is directed toward tub or shower area. Avoid directing toward walls or windows.

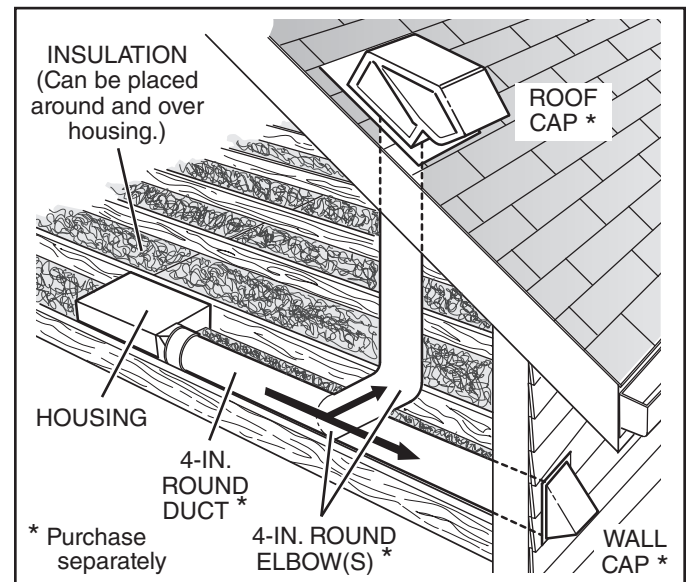
SAVE THESE INSTRUCTIONS

TYPICAL INSTALLATION



*Housing mounted to joists, trusses, or I-joists.
Up to 24-inches on-center.*

PLAN THE INSTALLATION



The unit will operate most quietly and efficiently when located where the shortest possible duct run and minimum number of elbows will be needed.

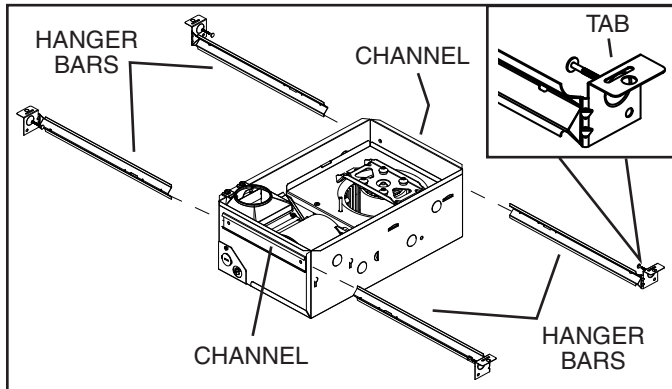
Use a roof cap or wall cap that has a built-in damper to reduce backdrafts.

Plan to supply the unit with proper line voltage and appropriate power cable.

INSTALLATION

WARNING: To reduce the risk of fire, do not store or use gasoline or other flammable vapors and liquids in the vicinity of the heater.

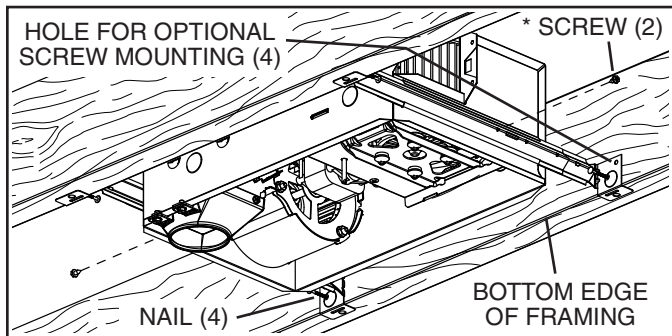
CAUTION: High temperature, risk of fire, keep electrical cords, drapery, furnishings, and other combustibles at least 3 feet (0.9 m) from the front of the heater and away from the side and rear.



1. Insert hanger bars.

Four (4) sliding **hanger bars** are provided to allow for accurate positioning of housing anywhere between framing. They can be used on all types of framing (I-joint, standard joist, and truss construction) and span up to 24".

Slide hanger bars into **channels** on housing. Make sure hanger bar **tabs** face "up" as shown.



2. Mount housing.

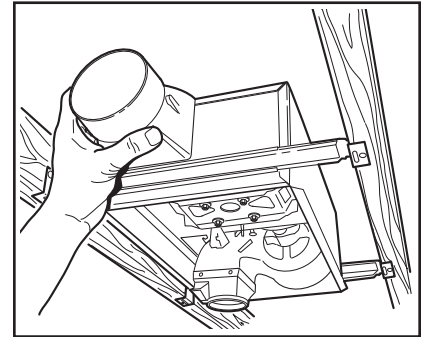
Extend hanger bars to the width of the framing. Hold fan in place with the hanger bar tabs wrapping around the **bottom edge of the framing**.

Nail fan to framing or fasten with screws (not provided) through **holes** near nails.

* To ensure a noise-free mount: Secure hanger bars together with **screws** or use a pliers to crimp mounting channels tightly around hanger bars.

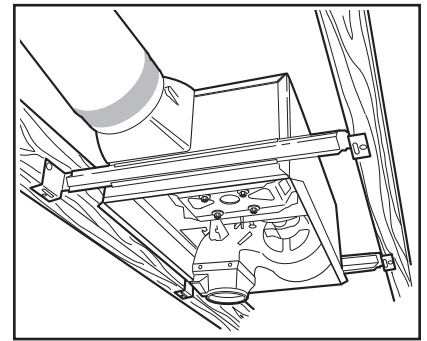
3. Attach damper / duct connector to housing.

Snap damper / duct connector onto housing. Make sure connector is flush with top of housing and damper flap falls closed.



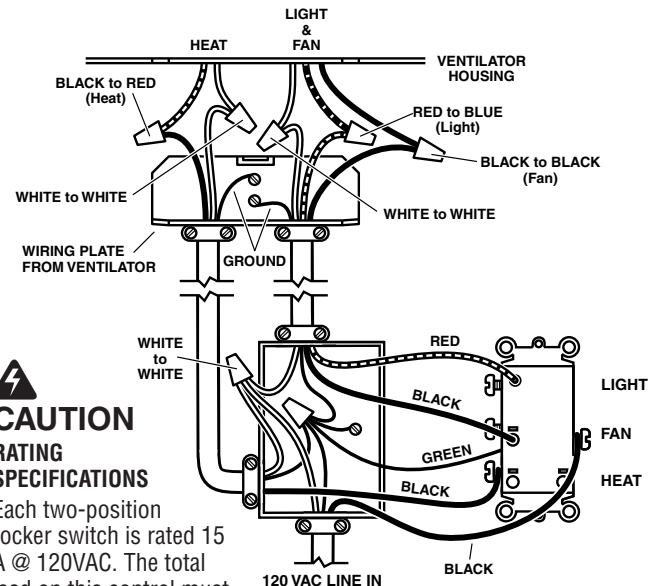
4. Install 4-inch round ductwork.

Connect 4-inch round ductwork to damper / duct connector. Run ductwork to a roof cap or wall cap. Tape all ductwork connections to make them secure and air tight.



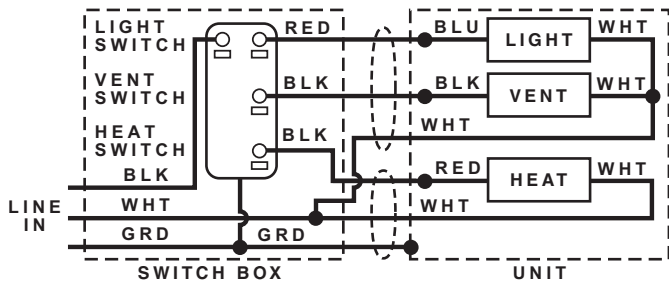
CONNECT WIRING

Installation work and electrical wiring must be done by a qualified person(s) in accordance with all applicable codes and standards, including fire-rated construction codes and standards.



CAUTION RATING SPECIFICATIONS

Each two-position rocker switch is rated 15 A @ 120VAC. The total load on this control must not exceed 20 A @ 120VAC.



5. Connect electrical wiring.

Run 120 VAC house wiring to installation location. Use proper UL approved connectors to secure house wiring to wiring plate. Connect wires as shown in wiring diagram(s).

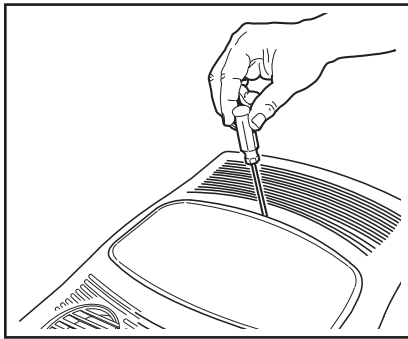
INSTALL GRILLE & BULB

6. Finish ceiling.

Install ceiling material. Cut out ceiling material closely around housing.

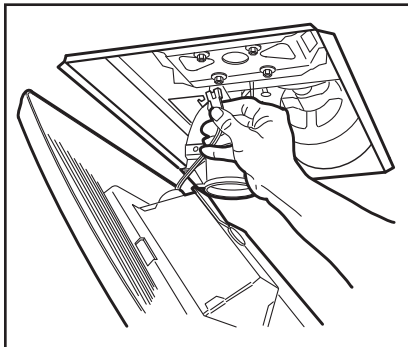
7. Remove light lens from grille.

Insert a small flat-bladed screwdriver into the slot at one end of the light lens. Carefully pry the lens out.



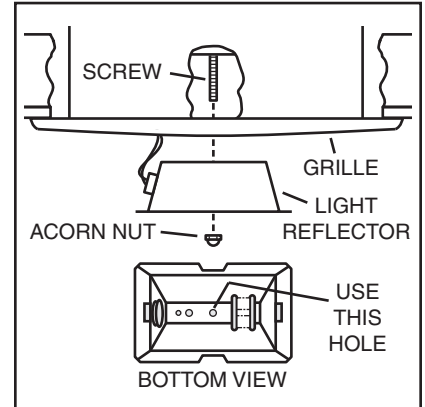
8. Plug-in light.

Hold grille assembly up near housing. Connect light plug from grille assembly to receptacle inside of housing.



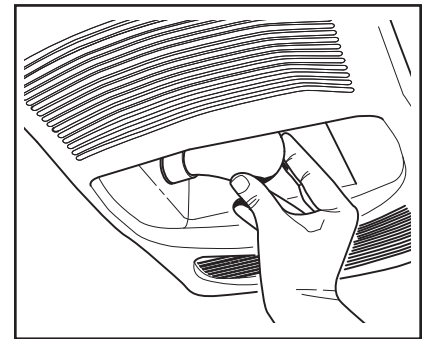
9. Attach grille.

Place grille/reflector combination over protruding screw and fasten in place using acorn nut provided. HAND TIGHTEN acorn nut 1/4 turn after it is snug.



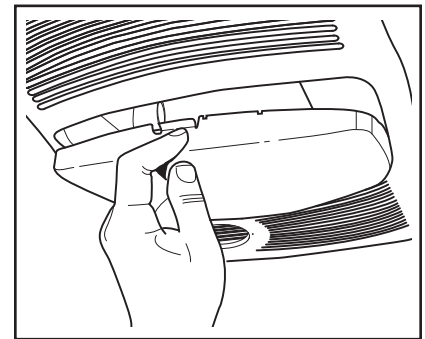
10. Install bulb.

The unit accepts a 100-Watt (maximum) E26 base bulb. (Bulb not included.)



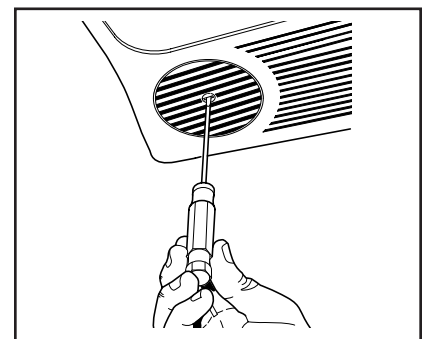
11. Attach light lens.

Hook the tabs on one end of the lens into the slot in the grille. Lift other end of lens up and snap into place.



12. Rotate heater grille.

Use a flat-bladed screwdriver to rotate the round heater grille to provide heat in the desired direction.



OPERATION

Before using heater, make sure heater has been properly installed according to installation steps beginning with the "TYPICAL INSTALLATION" section on page 1.

Use a 3-Function Control to operate the heater, fan, and light separately. See "Connect Wiring" for details.

MAINTENANCE

The following maintenance and cleaning tasks can be performed by the user. All other servicing must be performed by an authorized technician. If you have any questions, please consult with our customer service department at: 800-558-1711.

TO REPLACE BULB

Remove lens by gently depressing sides and pull down. Use a maximum 100-Watt E26 base bulb.

LUBRICATION

The heater is permanently lubricated and never needs oiling or disassembly.

CLEANING

Clean heater once a month as follows:

1. Turn off power at service panel.
2. Make sure heating element is cool.
3. Use a soft brush attachment to gently vacuum grille openings or wipe grille clean with a soft cloth.
4. Restore power.

CAUTION: METAL AND ELECTRICAL PARTS SHOULD NEVER BE IMMERSSED IN WATER.

WARRANTY

Limited Warranty

Warranty Period and Exclusions: Broan-NuTone LLC (the "Company") warrants to the original consumer purchaser of its product ("you") that the product (the "Product") will be free from material defects in the Product or its workmanship for a period of one (1) year from the date of original purchase.

The limited warranty period for any replacement parts provided by the Company and for any Products repaired or replaced under this limited warranty shall be the remainder of the original warranty period.

This warranty does not cover speed controls, fluorescent lamp starters, tubes, halogen and incandescent bulbs, fuses, filters, ducts, roof caps, wall caps and other accessories for ducting that may be purchased separately and installed with the Product. This warranty also does not cover (a) normal maintenance and service, (b) normal wear and tear, (c) any Products or parts which have been subject to misuse, abuse, abnormal usage, negligence, accident, improper or insufficient maintenance, storage or repair (other than repair by the Company), (d) damage caused by faulty installation, or installation or use contrary to recommendations or instructions, (e) any Product that has been moved from its original point of installation, (f) damage caused by environmental or natural elements, (g) damage in transit, (h) natural wear of finish, (i) Products in commercial or nonresidential use, or (j) damage caused by fire, flood or other act of God. This warranty covers only Products sold to original consumers in the United States by the Company or U.S. distributors authorized by the Company.

This warranty supersedes all prior warranties and is not transferable from the original consumer purchaser.

No Other Warranties: This Limited Warranty contains the Company's sole obligation and your sole remedy for defective products. The foregoing warranties are exclusive and in lieu of any other warranties, express or implied. THE COMPANY DISCLAIMS AND EXCLUDES ALL OTHER EXPRESS WARRANTIES, AND DISCLAIMS AND EXCLUDES ALL WARRANTIES IMPLIED BY LAW, INCLUDING WITHOUT LIMITATION THOSE OF MERCHANTABILITY AND FITNESS FOR A PARTICULAR PURPOSE. To the extent that applicable law prohibits the exclusion of implied warranties, the duration of any applicable implied warranty is limited to the period specified for the express warranty above. Some states do not allow limitations on how long an implied warranty lasts, so the above limitation may not apply to you. Any oral or written description of the Product is for the sole purpose of identifying it and shall not be construed as an express warranty.

Whenever possible, each provision of this Limited Warranty shall be interpreted in such manner as to be effective and valid under applicable law, but if any provision is held to be prohibited or invalid, such provision shall be ineffective only to the extent of such prohibition or invalidity, without invalidating the remainder of such provision or the other remaining provisions of the Limited Warranty.

Remedy: During the applicable limited warranty period, the Company will, at its option, provide replacement parts for, or repair or replace, without charge, any Product or part thereof, to the extent the Company finds it to be covered by and in breach of this limited warranty under normal use and service. The Company will ship the repaired or replaced Product or replacement parts to you at no charge. You are responsible for all costs for removal, reinstallation and shipping, insurance or other freight charges incurred in the shipment of the Product or part to the Company. If you must send the Product or part to the Company, as instructed by the Company, you must properly pack the Product or part—the Company is not responsible for damage in transit. The Company reserves the right to utilize reconditioned, refurbished, repaired or remanufactured Products or parts in the warranty repair or replacement process. Such Products and parts will be comparable in function and performance to an original Product or part and warranted for the remainder of the original warranty period.

Exclusion of Damages: THE COMPANY'S OBLIGATION TO PROVIDE REPLACEMENT PARTS, OR REPAIR OR REPLACE, AT THE COMPANY'S OPTION, SHALL BE YOUR SOLE AND EXCLUSIVE REMEDY UNDER THIS LIMITED WARRANTY AND THE COMPANY'S SOLE AND EXCLUSIVE OBLIGATION. THE COMPANY SHALL NOT BE LIABLE FOR INCIDENTAL, INDIRECT, CONSEQUENTIAL OR SPECIAL DAMAGES ARISING OUT OF OR IN CONNECTION WITH THE PRODUCT, ITS USE OR PERFORMANCE.

Some states do not allow the exclusion or limitation of incidental or consequential damages, so the above limitation or exclusion may not apply to you. This warranty gives you specific legal rights, and you may also have other rights, which vary from state to state.

This warranty covers only replacement or repair of defective Products or parts thereof at the Company's main facility and does not include the cost of field service travel and living expenses.

Any assistance the Company provides to or procures for you outside the terms, limitations or exclusions of this limited warranty will not constitute a waiver of such terms, limitations or exclusions, nor will such assistance extend or revive the warranty.

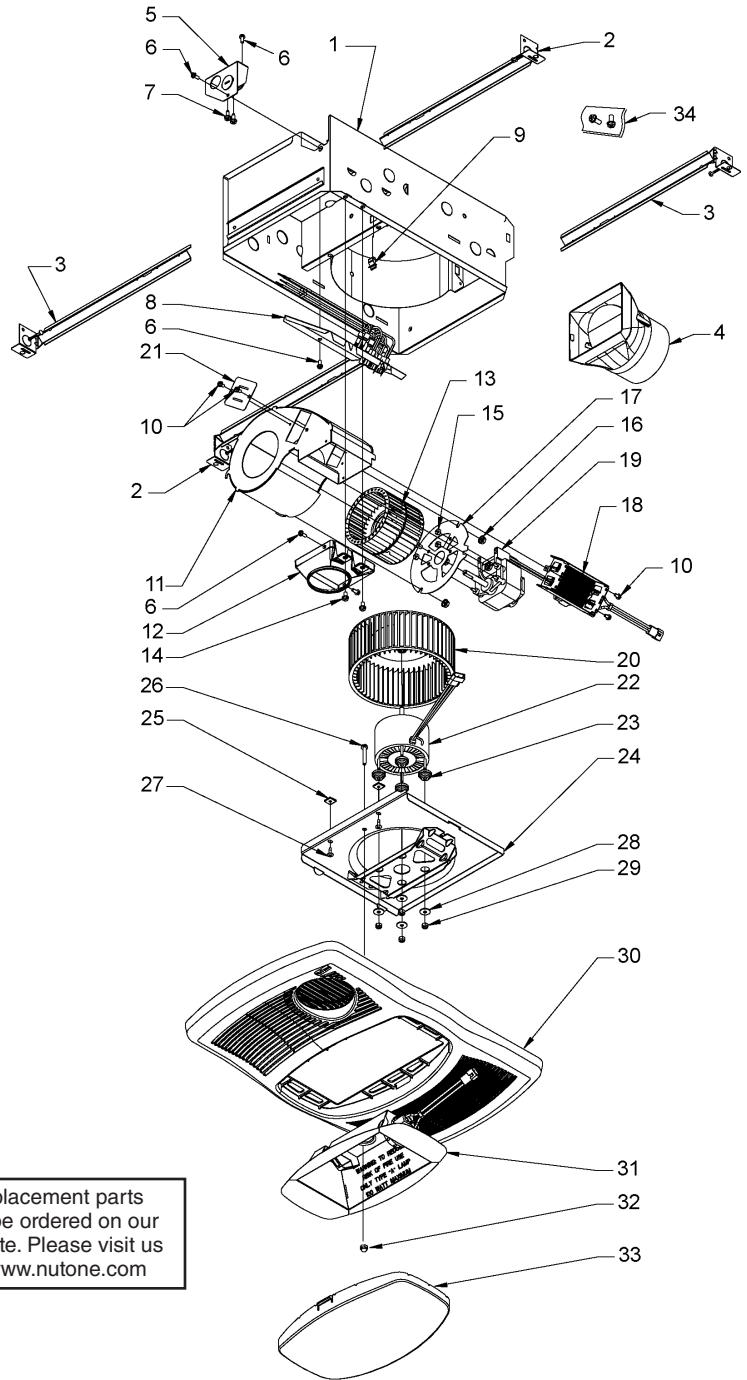
The Company will not reimburse you for any expenses incurred by you in repairing or replacing any defective Product, except for those incurred with the Company's prior written permission.

How to Obtain Warranty Service: To qualify for warranty service, you must (a) notify the Company at the address or telephone number stated below within seven (7) days of discovering the covered defect, (b) give the model number and part identification and (c) describe the nature of any defect in the Product or part. At the time of requesting warranty service, you must present evidence of the original purchase date. If you cannot provide a copy of the original written limited warranty, then the terms of the Company's most current written limited warranty for your particular product will control. The most current limited written warranties for the Company's products can be found at www.broan.com.

Broan-NuTone LLC 926 West State Street, Hartford, WI 53027 www.broan.com 800-637-1453

SERVICE PARTS

Key No.	Part No.	Description
1	97017572	Housing Assembly
2	97017712	Slide Mounting Channel RH (2 req)
3	97017711	Slide Mounting Channel LH (2 req)
4	97016449	Duct Connector Assembly, 4"
5	98010407	Electrical Knockout Panel
6	99170245	Screw, #8-18 X .375" * (5 req)
7	99150471	Screw, Ground #10-32 X .500 PH HWH * (2 req)
8	97017713	Wire Panel Assembly
9	99420666	Wire Clip
10	99150415	Screw, 8B X .25 SL HX SR W * (4 req)
11	97017609	Heater Scroll
12	98010405	Transition
13	99020294	Heater Wheel
14	97017742	Screw, #6-32 X 5/16 * Twin Whiz
15	99260428	Nut, #6-32 X 5/16 * Twin Whiz (4 req)
16	99260488	Nut, #10-24 * Whiz Hex Flange (4 req)
17	98010409	Heater Motor Bracket
18	97020888	Heater Element
19	99080606	Heater Motor
20	99020293	Fan Wheel
21	98010089	Heating Element Mounting Bracket
22	1101134	Fan Motor
23	99100491	Isolator Bushing (4 req)
24	97017606	Partition Assembly
25	93260454	Sheet Metal Nut, #8-18 * (2 req)
26	99150583	Screw, #10-24 X 1.25" *
27	93150459	Screw, #8-18 X .500" * (2 req)
28	99250959	Washer, Flat, #8 * (4 req)
29	99260558	Nut, Hex Lock, #8-32 * (4 req)
30	1101173	Grille Assembly
31	97017688	Reflector Assembly
32	97005316	Acorn Nut
33	99111414	Light Lens
34	97017739	Screw Hardware Bag for Hanger Bars
**	97020890	Heater Scroll Assembly (Includes Key Nos. 6, 10 thru 19, 21)
**	1101255	Blower Assembly (Includes Key Nos. 20, 22, 23, 24, 26, 28, 29)

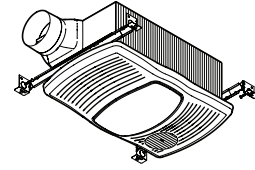


Order service parts by "Part No." - not by "Key No."

* Standard hardware - may be purchased locally.

** Not shown assembled.

VENTILADOR CON CALEFACTOR Y LUZ



LEA Y CONSERVE ESTAS INSTRUCCIONES

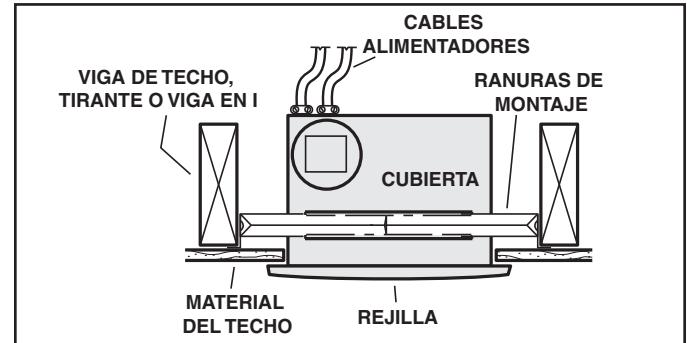
INSTRUCCIONES IMPORTANTES

LEA TODAS LAS INSTRUCCIONES ANTES DE INSTALAR O USAR ESTE CALENTADOR.

Para reducir el riesgo de incendios, descargas eléctricas o lesiones personales, observe las siguientes precauciones:

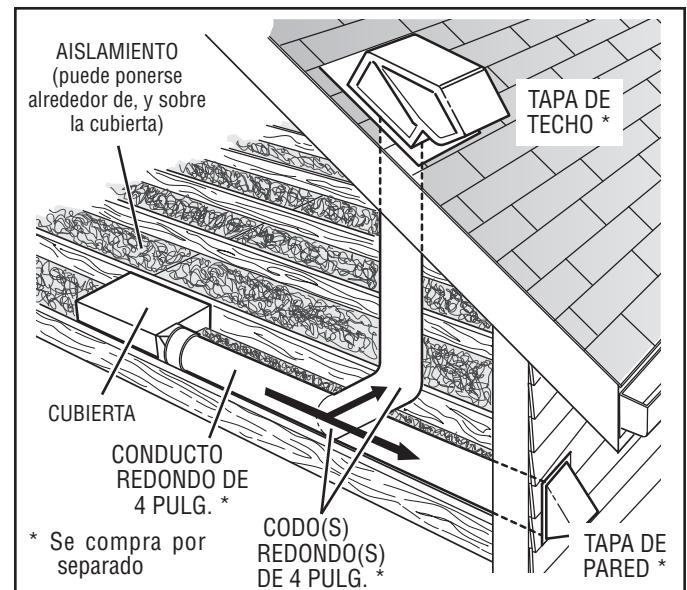
1. Use la unidad solo de la manera indicada por el fabricante. Si tiene preguntas, comuníquese con el fabricante a la dirección o al número telefónico que se incluye en la garantía.
2. Antes de dar servicio a la unidad o de limpiarla, interrumpa el suministro eléctrico en el panel de servicio y bloquee los medios de desconexión del servicio para evitar que la electricidad se reanude accidentalmente. Cuando no sea posible bloquear los medios de desconexión del servicio, fije firmemente una señal de advertencia (como una etiqueta) en un lugar visible del panel de servicio.
3. El trabajo de instalación y el cableado eléctrico deben estar a cargo de personal capacitado, de acuerdo con todos los códigos y normas correspondientes, incluidos los códigos y normas de construcción específicos sobre protección contra incendios.
4. Al cortar o perforar a través de la pared o del cielo raso, tenga cuidado de no dañar el cableado eléctrico ni otros servicios ocultos.
5. Este calentador se calienta cuando se usa. Para evitar quemaduras, no deje que la piel desnuda toque las superficies calientes. Mantenga materiales combustibles como muebles, almohadas, ropa de cama, papeles, ropa, etc., así como las cortinas, por lo menos a 3 pies (0.9 m) de la parte delantera del calentador.
6. Es necesario tener extremo cuidado cuando se use un calentador cerca de niños o personas inválidas, y siempre que el calentador se deje funcionando y sin atención.
7. No haga funcionar ningún calentador después de que presente una falla. Desconecte la energía eléctrica en el panel de servicio y pida que un electricista acreditado inspeccione el calentador antes de volverlo a usar.
8. No lo use en exteriores.
9. Para desconectar el calentador, mueva los controles a la posición de apagado y desconecte la energía eléctrica al circuito del calentador en el panel de desconexión principal (o active el interruptor de desconexión interna, si existe).
10. No inserte ni permita que objetos extraños entren en la abertura de ventilación o de escape, pues esto puede ocasionar una descarga eléctrica, un incendio o daños al calentador.
11. Para prevenir un posible incendio, no bloquee la entrada o salida del aire de ninguna manera.
12. El calentador tiene piezas calientes y que pueden generar arcos eléctricos o chispas en el interior. No lo use en áreas donde se use o almacene gasolina, pintura o vapores o líquidos inflamables.
13. Use este calentador solamente como se describe en este manual. Cualquier otro uso no recomendado por el fabricante puede ocasionar un incendio, una descarga eléctrica o lesiones a personas.
14. Este producto debe ser conectado a tierra.
15. No instale esta unidad sobre una bañera o ducha.
16. Este producto está diseñado para instalarse solamente en techos planos. El confort óptimo se obtiene en instalaciones en techos de 9 pies (2.7 m) o menos. **NO MONTE ESTE PRODUCTO EN LA PARED.**
17. Instálelo únicamente en techos, a distancias mínimas de 6 pulg. (15 cm) de cualquier pared.
18. No conecte el calentador a un variador de luz o control de velocidad.
19. Proporcione un circuito por separado de 20 A. Utilice un cable eléctrico calibre 12 de un tipo conforme al código. Utilice un cable eléctrico clasificado para por lo menos 90°C.
20. Para asegurar una mayor eficiencia, instale el calentador de manera que el calor esté dirigido hacia el área de la bañera o ducha. Evite dirigir el calor hacia paredes o ventanas.

INSTALACIÓN TÍPICA



La cubierta se monta en las vigas, tirantes o vigas en I. Hasta 24 pulg. (61 cm) de centro a centro.

PLANIFICACIÓN



El ventilador funcionará con más eficiencia y menos ruido si se ubica en un sitio donde requiera el tramo de conductos más corto posible y un mínimo número de codos.

Instale una tapa de techo o de pared que tenga un regulador de tiro integrado a fin de reducir los contratiros.

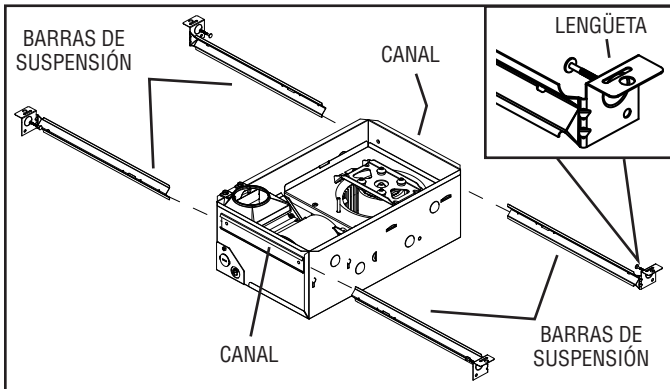
Alimente la unidad con el voltaje de línea y el cable alimentador apropiados.

GUARDE ESTAS INSTRUCCIONES

INSTALACIÓN

ADVERTENCIA: Para reducir el riesgo de incendio, no almacene ni use gasolina u otros vapores y líquidos inflamables en las cercanías del calentador.

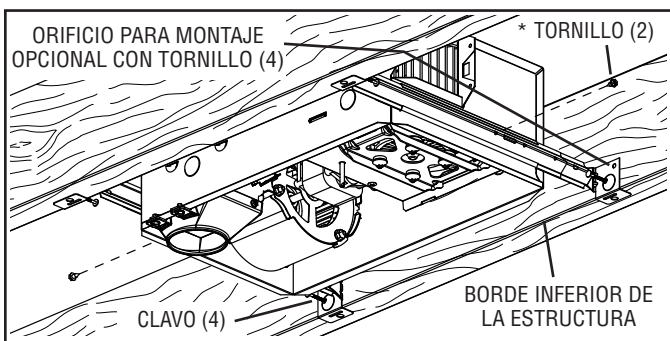
PRECAUCIÓN: Temperatura alta, el riesgo de incendio, mantenga los cables eléctricos, cortinas, muebles y otros materiales combustibles por lo menos 3 pies (0,9 m) del frente del calentador y lejos de la cara y la parte trasera.



1. Inserte las barras de suspensión.

Se proporcionan cuatro (4) **barras de suspensión** deslizantes para facilitar la colocación adecuada de la cubierta en cualquier parte entre la estructura. Estas barras se adaptan a toda clase de estructuras (construcciones de vigas "I", vigas estándar y tirantes) y se extienden a un máximo de 24 pulg. (61 cm).

Deslice las barras de suspensión en los **canales** de la cubierta. Asegúrese de que las **lengüetas** de las barras de suspensión estén de cara hacia arriba, tal como se muestra.



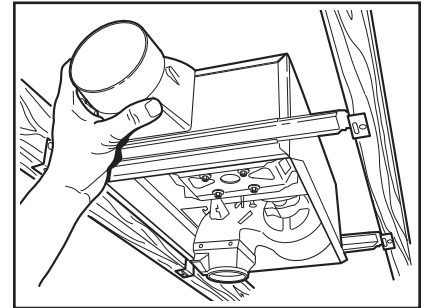
2. Monte la cubierta.

Abra las barras de suspensión hasta el ancho de la estructura. Sostenga el ventilador en su sitio envolviendo las lengüetas de las barras de suspensión alrededor del **borde inferior de la estructura**.

Clave el ventilador a la estructura o sujételo con tornillos (no incluidos) a través de los **orificios** que están cerca de los clavos.

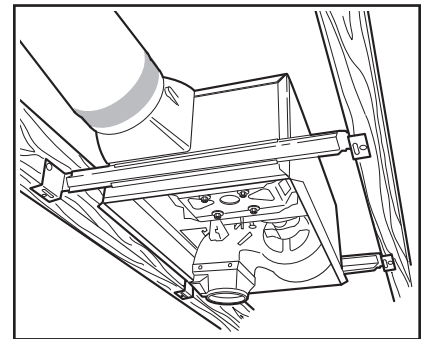
* Para lograr un montaje silencioso: acople y fije las barras de suspensión con **tornillos**, o con un alicate doble los canales de montaje bien justos alrededor de las barras de suspensión.

3. Acople el conector del regulador de tiro/ conducto a la cubierta.



Conecte a presión el conector del regulador de tiro/ conducto en la cubierta. Asegúrese de que el conector esté al ras con la parte superior de la cubierta y que la aleta del regulador caiga cerrada.

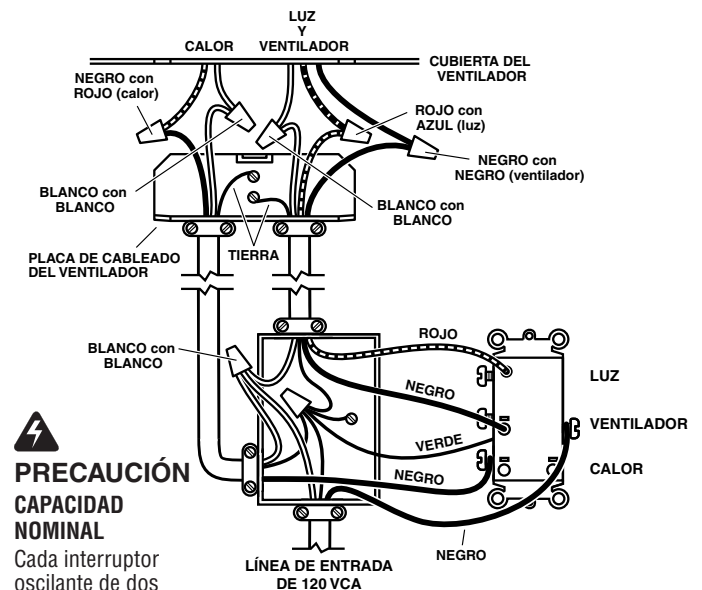
4. Instale el conducto redondo de 4 pulg.



Conecte el conducto redondo de 4 pulg. al conector del regulador/conducto. Extienda el conducto hacia una tapa de techo o tapa de pared. Encinte todas las conexiones de los conductos para fijarlas y hacerlas herméticas al aire.

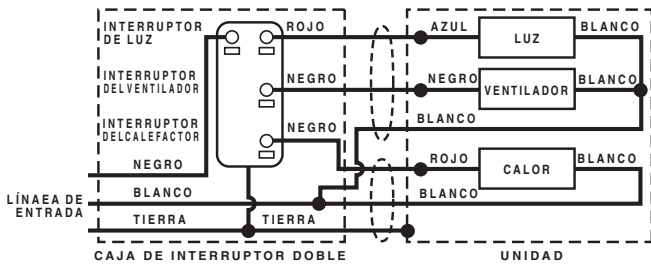
CONEXIÓN ELÉCTRICA

El trabajo de instalación y el cableado eléctrico deben estar a cargo de personal capacitado, de acuerdo con todos los códigos y normas correspondientes, incluidos los códigos y normas de construcción específicos sobre protección contra incendios.



PRECAUCIÓN
CAPACIDAD NOMINAL

Cada interruptor oscilante de dos posiciones tiene una capacidad nominal de 15 A a 120 VCA. La carga total de este control no puede ser mayor de 20 A a 120 VCA.



5. Conecte los cables eléctricos.

Extienda el cableado de la casa de 120 VCA al lugar de la instalación. Utilice conexiones aprobadas por UL para asegurar el cableado de la casa a la placa de cableado. Conecte los cables tal como se ilustra en los diagramas de cableado.

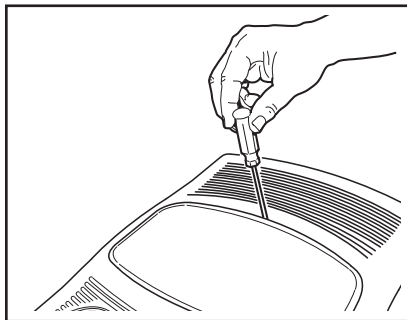
INSTALE LA REJILLA Y LA BOMBILLA

6. Termine el techo.

Instale el material del techo. Corte el material del techo alrededor de la cubierta.

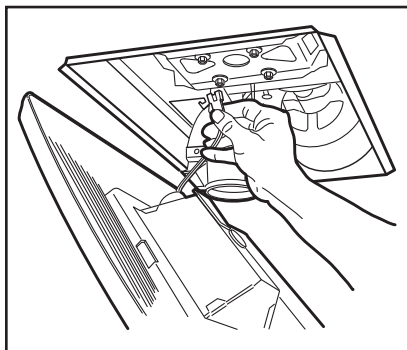
7. Quite la lente de luz de la rejilla.

Inserte un pequeño destornillador plano en un extremo de la lente de luz. Haga palanca con cuidado para retirar la lente.



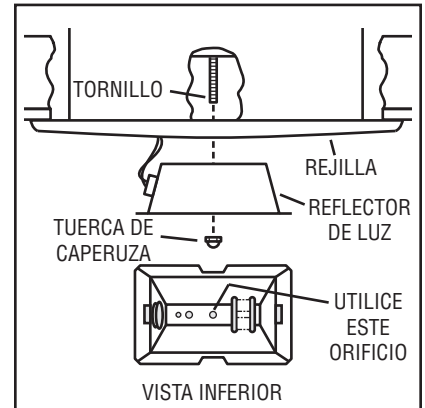
8. Conecte la luz.

Sostenga el conjunto de la rejilla cerca de la cubierta. Conecte el enchufe de la luz del conjunto de la rejilla al receptáculo dentro de la cubierta.



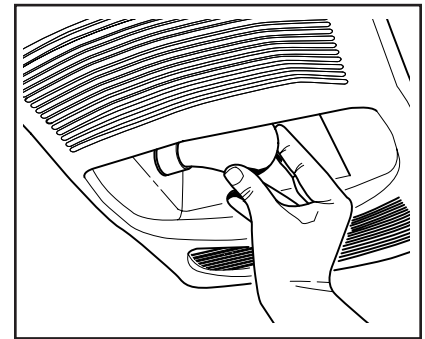
9. Fije la rejilla.

Coloque el conjunto rejilla/reflector sobre el tornillo que sobresale, y fíjelo usando la tuerca de caperuza que se proporciona. APRIETE CON LA MANO la tuerca de caperuza ¼ de vuelta después de que esté ajustada.



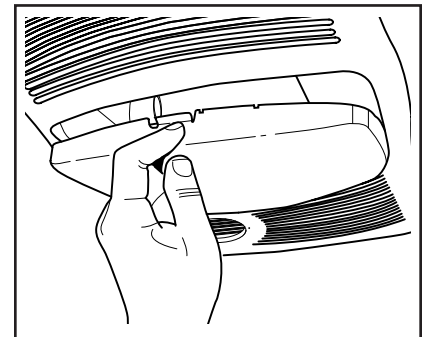
10. Instale la bombilla.

La unidad acepta una bombilla incandescente de 100 watts (máximo) bombilla de base E26. (Bombilla no incluida).



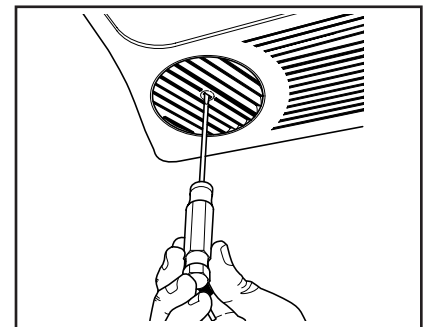
11. Fije la lente de luz.

Enganche las lengüetas por un extremo de la lente en la ranura de la rejilla. Levante el otro extremo de la lente y fíjela en su lugar.



12. Gire la rejilla del calefactor.

Con un destornillador plano, gire la rejilla del calefactor redonda para proporcionar calefacción en la dirección deseada.



OPERACIÓN

Antes de usar el calentador, asegúrese de que esté instalado adecuadamente, de acuerdo con los pasos de instalación indicados en "INSTALACIÓN TYPICA" en la página 7.

Utilice un control de 3 funciones para operar el calefactor, el ventilador y la luz por separado (vea los detalles en la sección "Conexión eléctrica").

MANTENIMIENTO

El usuario puede realizar las siguientes tareas de mantenimiento y limpieza. Todos los demás servicios los debe realizar un técnico autorizado. Si tiene preguntas, consulte a nuestro departamento de servicio al cliente llamando al: 800-558- 1711.

PARA REEMPLAZAR LA LAMPARA

Quite el lente, presionando suavemente los lados y empuje. Use una bombilla incandescente de 100 watts (máximo) bombilla de base E26.

LUBRICACIÓN

El calentador está permanentemente lubricado y nunca necesitará ponerle aceite ni desarmarlo.

LIMPIEZA

Limpie el calentador una vez al mes tal como sigue:

1. Apague la energía eléctrica en el panel de servicio.
2. Asegúrese de que el elemento de calefacción esté frío.
3. Use un aditamento de cepillo suave para aspirar suavemente aberturas de la rejilla o limpie la rejilla con un paño suave.
4. Restaure la energía eléctrica.

CUIDADO: LAS PIEZAS METALICAS Y ELECTRICAS NUNCA SE DEBEN SUMERGIR EN AGUA.

GARANTÍA

Garantía limitada

Periodo y exclusiones de la garantía: Broan-NuTone LLC (la "Compañía") garantiza al consumidor comprador original de su producto ("usted") que el producto (el "Producto") estará libre de defectos en materiales o en mano de obra, por un periodo de un (1) año a partir de la fecha de compra original.

El periodo de garantía limitada para cualquier pieza de repuesto proporcionada por la compañía y para cualquier Producto reparado o reemplazado bajo esta garantía limitada debe ser lo que reste del periodo de garantía original.

Esta garantía no cubre controles de velocidad, arrancadores de lámparas fluorescentes, tubos, bombillas de halógeno e incandescentes, fusibles, filtros, conductos, tapas de techo, tapas de pared ni otros accesorios que pudieran ser comprados por separado e instalados con el producto. Esta garantía tampoco cubre (a) mantenimiento y servicio normal, (b) uso y desgaste normal, (c) Productos o piezas sujetos a mal uso, abuso, uso anormal, negligencia, accidente, mantenimiento inadecuado o insuficiente, almacenamiento o reparación (que no sea reparación por parte de la Compañía), (d) daños causados por instalación defectuosa, o bien instalación o uso contrario a las recomendaciones o instrucciones, (e) cualquier Producto que se haya movido de su punto de instalación original, (f) daños ocasionados por el medio ambiente o los elementos naturales, (g) daños en tránsito, (h) desgaste natural del acabado, (i) Productos en uso comercial o no residencial, o (j) daños ocasionados por incendio, inundación u otro caso fortuito. Esta garantía cubre solamente Productos vendidos a clientes originales en los Estados Unidos por la Compañía o a distribuidores de EE. UU. autorizados por la Compañía.

Esta garantía sustituye todas las garantías anteriores y no es transferible del comprador consumidor original.

No hay otras garantías: Esta garantía limitada contiene la única obligación de la Compañía y su único recurso ante productos defectuosos. Las garantías anteriores son exclusivas y en lugar de cualquier otra garantía, expresa o implícita. LA COMPAÑÍA NIEGA Y EXCLUYE CUALQUIER OTRA GARANTÍA EXPRESA, Y NIEGA Y EXCLUYE TODAS LAS GARANTÍAS IMPLÍCITAS POR LEY, INCLUYENDO, ENTRE OTRAS, LAS DE COMERCIALIZACIÓN Y APTITUD PARA UN PROPÓSITO EN PARTICULAR. Hasta el grado en que la ley aplicable prohíba la exclusión de las garantías implícitas, la duración de cualquier garantía implícita aplicable está limitada al periodo especificado para la garantía expresa antes mencionada. Algunos estados no permiten limitaciones en la duración de una garantía implícita, así que la limitación anterior tal vez no aplique en su caso. Cualquier descripción verbal o escrita del Producto es para el único propósito de identificarlo y no deberá considerarse como una garantía expresa.

Siempre que sea posible, toda disposición de esta garantía limitada deberá ser interpretada de tal forma que sea efectiva y válida de conformidad con la ley aplicable, pero si alguna disposición fuera considerada prohibida o inválida, quedará sin efecto solo en virtud de dicha prohibición o invalidez, sin invalidar el resto de dicha disposición o las demás disposiciones restantes de la garantía limitada.

Recurso: Durante el periodo de garantía limitada aplicable, la Compañía, a su opción, suministrará piezas de repuesto, o reparará o reemplazará, sin cargo alguno, cualquier Producto o pieza del mismo, hasta el grado en que la Compañía lo encuentre cubierto bajo esta garantía limitada y en incumplimiento de la misma en condiciones normales de uso y servicio. La Compañía le enviará el Producto reparado o reemplazado o las piezas de repuesto sin cargo. Usted es responsable de todos los costos de retiro, reinstalación y envío, seguro u otros cargos de flete incurridos en el envío del Producto o pieza a la Compañía. Si debe enviar el Producto o la pieza a la Compañía, tal como lo indique la Compañía, debe empaquetar adecuadamente el Producto o la pieza: la Compañía no se hace responsable por los daños en tránsito. La Compañía se reserva el derecho de utilizar Productos o piezas reacondicionados, renovados, reparados o refabricados en el proceso de reemplazo o reparación de garantía. Dichos Productos y piezas serán comparables en función y desempeño a un Producto o una pieza original y tendrán garantía durante el resto del periodo de la garantía original.

Exclusión de daños: LA OBLIGACIÓN DE LA COMPAÑÍA DE SUMINISTRAR PIEZAS DE REPUESTO, O DE REPARAR O REEMPLAZAR, A OPCIÓN DE LA COMPAÑÍA, SERÁ SU ÚNICO Y EXCLUSIVO RECURSO BAJO ESTA GARANTÍA LIMITADA, Y LA ÚNICA Y EXCLUSIVA OBLIGACIÓN DE LA COMPAÑÍA. LA COMPAÑÍA NO SERÁ RESPONSABLE POR DAÑOS INCIDENTALES, INDIRECTOS, RESULTANTES O ESPECIALES QUE SURJAN POR EL USO O DESEMPEÑO DEL PRODUCTO, O EN RELACIÓN CON EL MISMO.

Algunos estados no permiten la exclusión o limitación de daños incidentales o resultantes, por lo que la limitación antes mencionada podría no aplicarse a usted. Esta garantía le otorga derechos legales específicos, y usted podría tener otros derechos que varían de un estado a otro.

Esta garantía cubre únicamente el reemplazo o la reparación de Productos defectuosos o piezas de los mismos en la planta principal de la Compañía, y no incluye el costo del viaje para el servicio de campo ni los viáticos.

Cualquier asistencia que proporcione o procure la Compañía para usted fuera de los términos, limitaciones o exclusiones de esta garantía limitada no constituirá una renuncia a dichos términos, limitaciones o exclusiones, ni dicha asistencia extenderá o renovará la garantía.

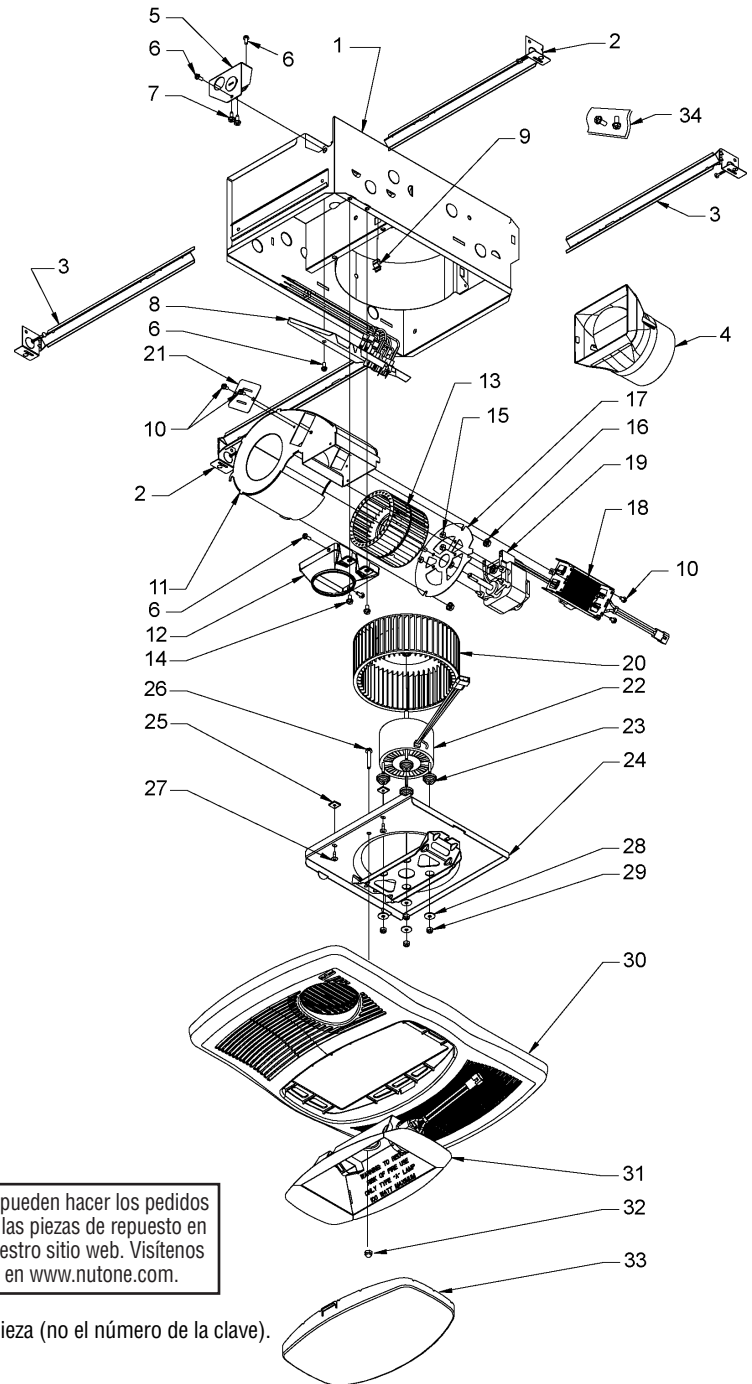
La Compañía no le reembolsará ningún gasto en el que usted haya incurrido al reparar o reemplazar cualquier Producto defectuoso, excepto los incurridos con el permiso previo por escrito de la Compañía.

Cómo obtener el servicio cubierto por la garantía: Para tener derecho al servicio cubierto por la garantía, usted debe (a) notificar a la Compañía a la dirección o número de teléfono que aparecen abajo en un plazo de siete (7) días después de descubrir el defecto cubierto, (b) proporcionar el número de modelo y la identificación de la pieza y (c) describir la naturaleza de cualquier defecto en el Producto o la pieza. En el momento de solicitar el servicio cubierto por la garantía, debe presentar un comprobante de la fecha de compra original. Si usted no puede presentar una copia de la garantía limitada original por escrito, entonces registrarán los términos de la garantía limitada por escrito más actualizada de la compañía para su producto en particular. Las garantías limitadas por escrito más actualizadas para los productos de la Compañía se pueden encontrar en www.broan.com.

Broan-NuTone LLC 926 West State Street, Hartford, WI 53027 www.broan.com 800-637-1453

PIEZAS DE REPUESTO

Clave No.	Pieza No.	Descripción
1	97017572	Conjunto de la cubierta
2	97017712	Canal de montaje de deslizamiento, derecha (se requieren 2)
3	97017711	Canal de montaje de deslizamiento, izquierda (se requieren 2)
4	97016449	Conjunto de conector del conducto, 4 pulg.
5	98010407	Panel eléctrico de agujeros ciegos
6	99170245	Tornillo No. 8-18 x 0.375 pulg. * (se requieren 5)
7	99150471	Tornillo de tierra No. 10-32 X 0.500 PH HWH * (se requieren 2)
8	97017713	Conjunto del panel de cableado
9	99420666	Clip de cable
10	99150415	Tornillo, 8B X 0.25 SL HX SR W * (se requieren 4)
11	97017609	Desplazador del calefactor
12	98010405	Transición
13	99020294	Disco calefactor
14	97017742	Bolso del tornillo para la transición
15	99260428	Tuerca de reborde No. 6-32 X 5/16 * tuerca (se requieren 4)
16	99260488	Tuerca de reborde hexagonal con brida No. 10-24 * (se requieren 4)
17	98010409	Soporte del motor del calefactor
18	97020888	Elemento del calefactor
19	99080606	Motor del calefactor
20	99020293	Disco del ventilador
21	98010089	Soporte de montaje del elemento de calefacción
22	1101134	Motor del ventilador
23	99100491	Casquillo del aislante (se requieren 4)
24	97017606	Conjunto de división
25	93260454	Tuerca autorroscante No. 8-18 * (se requieren 2)
26	99150583	Tornillo, No. 10-24 x 1.25 pulg. *
27	93150459	Tornillo No. 8-18 x 0.500 pulg. * (se requieren 2)
28	99250959	Arandela plana No. 8 * (se requieren 4)
29	99260558	Tuerca hexagonal de seguridad No. 8-32 * (se requieren 4)
30	1101173	Conjunto de la rejilla
31	97017688	Conjunto del reflector
32	97005316	Tuerca ciega
33	99111414	Lente de luz
34	97017739	Bolsa de tornillería para canal de montaje de deslizamiento
**	97020890	Conjunto del desplazador del calefactor (incluye claves No. 6, 10 a 19, 21)
**	1101255	Conjunto del ventilador (incluye claves No. 20, 22, 23, 24, 26, 28, 29)



Al hacer el pedido de una pieza de servicio se debe especificar el número de la pieza (no el número de la clave).

* Tornillería estándar: se puede comprar en una ferretería de la localidad.

** No se muestra montado.