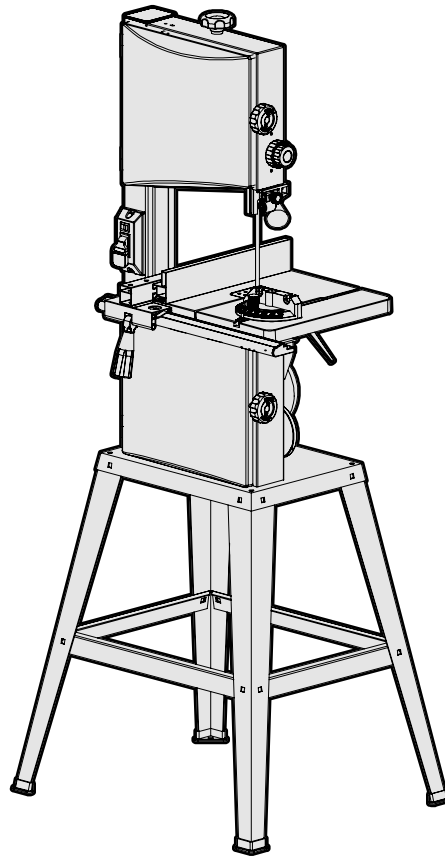




**MODEL 3962**

# ***10-INCH BAND SAW WITH STAND***

**Instruction Manual**



## ***NEED HELP? CONTACT US!***

Have product questions? Need technical support? Please feel free to contact us:

 **1-800-232-1195 (M-F 8AM-5PM CST)** |  **TECHSUPPORT@WENPRODUCTS.COM**

**IMPORTANT:** Your new tool has been engineered and manufactured to WEN's highest standards for dependability, ease of operation, and operator safety. When properly cared for, this product will supply you years of rugged, trouble-free performance. Pay close attention to the rules for safe operation, warnings, and cautions. If you use your tool properly and for its intended purpose, you will enjoy years of safe, reliable service.

For replacement parts and the most up-to-date instruction manuals, visit ***WENPRODUCTS.COM***

# CONTENTS


<b>WELCOME</b>	<b>3</b>
Introduction .....	3
Specifications.....	3
<b>SAFETY</b>	<b>4</b>
General Safety Rules .....	4
Specific Rules for Your Band Saw.....	6
Electrical Information.....	8
<b>BEFORE OPERATING</b>	<b>9</b>
Unpacking & Transportation .....	9
Know Your Band Saw.....	10
Assembly & Adjustments.....	11
<b>OPERATION &amp; MAINTENANCE</b>	<b>16</b>
Operation .....	16
Maintenance.....	18
Troubleshooting Guide.....	19
Exploded View & Parts List.....	21
Warranty Statement .....	25

To purchase accessories for your tool, visit ***WENPRODUCTS.COM***

**Replacement Blades** - visit our website for our full line of 72-inch band saw blades

## INTRODUCTION

Thanks for purchasing the WEN Band Saw. We know you are excited to put your tool to work, but first, please take a moment to read through the manual. Safe operation of this tool requires that you read and understand this operator's manual and all the labels affixed to the tool. This manual provides information regarding potential safety concerns, as well as helpful assembly and operating instructions for your tool.

 **SAFETY ALERT SYMBOL:** Indicates danger, warning, or caution. The safety symbols and the explanations with them deserve your careful attention and understanding. Always follow the safety precautions to reduce the risk of fire, electric shock or personal injury. However, please note that these instructions and warnings are not substitutes for proper accident prevention measures.

**NOTE:** The following safety information is not meant to cover all possible conditions and situations that may occur. WEN reserves the right to change this product and specifications at any time without prior notice.


At WEN, we are continuously improving our products. If you find that your tool does not exactly match this manual, please visit [wenproducts.com](http://wenproducts.com) for the most up-to-date manual or contact our customer service at **1-800-232-1195**.

**Keep this manual available to all users during the entire life of the tool and review it frequently to maximize safety for both yourself and others.**

## SPECIFICATIONS

Model Number	3962
Motor	120V, 60 Hz, 3.5A
Throat	9-3/4 inches
Maximum Workpiece Thickness	6 inches
Blade Speed	1520 / 2620 FPM
Blade Length	72 inches
Blade Width	1/8 to 1/2 inch (3/8 inch blade included)
Work Table Bevel	0 to 45°
Work Table Dimensions	14-1/8 inches x 12-1/2 inches
Weight	73.5 pounds
Product Dimensions (w/ stand)	26.5 in. x 21 in. x 58.5 in.

# GENERAL SAFETY RULES

 **WARNING!** Read all safety warnings and all instructions. Failure to follow the warnings and instructions may result in electric shock, fire and/or serious injury.

Safety is a combination of common sense, staying alert and knowing how your item works. The term “power tool” in the warnings refers to your mains-operated (corded) power tool or battery-operated (cordless) power tool.

## SAVE THESE SAFETY INSTRUCTIONS.

### WORK AREA SAFETY

- 1. Keep work area clean and well lit.** Cluttered or dark areas invite accidents.
- 2. Do not operate power tools in explosive atmospheres, such as in the presence of flammable liquids, gases or dust.** Power tools create sparks which may ignite the dust or fumes.
- 3. Keep children and bystanders away while operating a power tool.** Distractions can cause you to lose control.

### ELECTRICAL SAFETY


- 1. Power tool plugs must match the outlet. Never modify the plug in any way. Do not use any adapter plugs with earthed (grounded) power tools.** Unmodified plugs and matching outlets will reduce risk of electric shock.
- 2. Avoid body contact with earthed or grounded surfaces such as pipes, radiators, ranges and refrigerators.** There is an increased risk of electric shock if your body is earthed or grounded.
- 3. Do not expose power tools to rain or wet conditions.** Water entering a power tool will increase the risk of electric shock.
- 4. Do not abuse the cord. Never use the cord for carrying, pulling or unplugging the power tool. Keep cord away from heat, oil, sharp edges or moving parts.** Damaged or entangled cords increase the risk of electric shock.
- 5. When operating a power tool outdoors, use an extension cord suitable for outdoor use.** Use of a cord suitable for outdoor use reduces the risk of electric shock.

**6. If operating a power tool in a damp location is unavoidable, use a ground fault circuit interrupter (GFCI) protected supply.** Use of a GFCI reduces the risk of electric shock.

### PERSONAL SAFETY

- 1. Stay alert, watch what you are doing and use common sense when operating a power tool. Do not use a power tool while you are tired or under the influence of drugs, alcohol or medication.** A moment of inattention while operating power tools may result in serious personal injury.
- 2. Use personal protective equipment. Always wear eye protection.** Protective equipment such as a respiratory mask, non-skid safety shoes and hearing protection used for appropriate conditions will reduce the risk of personal injury.
- 3. Prevent unintentional starting. Ensure the switch is in the off-position before connecting to power source and/or battery pack, picking up or carrying the tool.** Carrying power tools with your finger on the switch or energizing power tools that have the switch on invites accidents.
- 4. Remove any adjusting key or wrench before turning the power tool on.** A wrench or a key left attached to a rotating part of the power tool may result in personal injury.
- 5. Do not overreach. Keep proper footing and balance at all times.** This enables better control of the power tool in unexpected situations.
- 6. Dress properly. Do not wear loose clothing or jewelry. Keep your hair and clothing away from moving parts.** Loose clothes, jewelry or long hair can be caught in moving parts.

# GENERAL SAFETY RULES

 **WARNING!** Read all safety warnings and all instructions. Failure to follow the warnings and instructions may result in electric shock, fire and/or serious injury.

Safety is a combination of common sense, staying alert and knowing how your item works. The term “power tool” in the warnings refers to your mains-operated (corded) power tool or battery-operated (cordless) power tool.

## SAVE THESE SAFETY INSTRUCTIONS.

**7. If devices are provided for the connection of dust extraction and collection facilities, ensure these are connected and properly used.** Use of dust collection can reduce dust-related hazards.

### POWER TOOL USE AND CARE

**1. Do not force the power tool. Use the correct power tool for your application.** The correct power tool will do the job better and safer at the rate for which it was designed.

**2. Do not use the power tool if the switch does not turn it on and off.** Any power tool that cannot be controlled with the switch is dangerous and must be repaired.

**3. Disconnect the plug from the power source and/or the battery pack from the power tool before making any adjustments, changing accessories, or storing power tools.** Such preventive safety measures reduce the risk of starting the power tool accidentally.

**4. Store idle power tools out of the reach of children and do not allow persons unfamiliar with the power tool or these instructions to operate the power tool.** Power tools are dangerous in the hands of untrained users.

**5. Maintain power tools. Check for misalignment or binding of moving parts, breakage of parts and any other condition that may affect the power tool's operation. If damaged, have the power tool repaired before use.** Many accidents are caused by poorly maintained power tools.

**6. Keep cutting tools sharp and clean.** Properly maintained cutting tools with sharp cutting edges are less likely to bind and are easier to control.

**7. Use the power tool, accessories and tool bits, etc. in accordance with these instructions, taking into account the working conditions and the work to be performed.** Use of the power tool for operations different from those intended could result in a hazardous situation.

**8. Use clamps to secure your workpiece to a stable surface.** Holding a workpiece by hand or using your body to support it may lead to loss of control.

**9. KEEP GUARDS IN PLACE** and in working order.

### SERVICE

**1. Have your power tool serviced by a qualified repair person using only identical replacement parts.** This will ensure that the safety of the power tool is maintained.


### CALIFORNIA PROPOSITION 65 WARNING

Some dust created by power sanding, sawing, grinding, drilling, and other construction activities may contain chemicals, including lead, known to the State of California to cause cancer, birth defects, or other reproductive harm. Wash hands after handling. Some examples of these chemicals are:

- Lead from lead-based paints.
- Crystalline silica from bricks, cement, and other masonry products.
- Arsenic and chromium from chemically treated lumber.

Your risk from these exposures varies depending on how often you do this type of work. To reduce your exposure to these chemicals, work in a well-ventilated area with approved safety equipment such as dust masks specially designed to filter out microscopic particles.

## **SPECIFIC RULES FOR YOUR BAND SAW**

 **WARNING!** Do not operate the power tool until you have read and understood the following instructions and the warning labels.

### **SAW BLADE SAFETY**

1. Always wear protective gloves when handling saw blades.
2. Only use blades with correct size and type for both your band saw and your workpiece.
  - See the blade specifications on page 3.
  - Make sure the blade is installed in the proper direction.
3. Never use damaged or deformed saw blades. Only use sharp blades.
4. Install the saw blade in the correct orientation indicated in the instructions (see “Changing the Saw Blade”, page 17).
5. Keep hands out of path of saw blade. Never use your hands to remove sawdust or scrap wood. Use a brush at all times.
6. Never reach around saw blade or reach in back of the saw blade.
7. The use of accessories or attachments not recommended by the manufacturer may result in a risk of personal injury.

### **PERSONAL SAFETY**

1. Operate in a well ventilated area. Keep the floor area around the band saw level and free of slippery substances or other tripping hazards.
2. Wear ANSI Z87.1-approved safety goggles to protect your eyes from saw dust. Use hearing protection to protect yourself from hearing loss.
3. People with pacemakers should consult their physician(s) before use. Electromagnetic fields in close proximity to pacemakers could cause pacemaker interference or pacemaker failure.

4. Wear work gloves when handling saw blades. DO NOT wear gloves, neckties, jewelry, or loose clothing while operating the saw.
5. Saw dust is harmful to your health. Use NIOSH-approved dust masks or other respiratory protection during operation and cleaning.
6. Always turn off and unplug the band saw before making any adjustments or repair tasks. Never adjust the band saw or the workpiece while the saw is running.
7. Only use the band saw to cut wood.

### **PREPARING THE BAND SAW**

1. When transporting the band saw, never carry the device by its guards or its accessories.
2. Examine the band saw for any damaged or missing parts. Replace or repair damaged parts before operation. Periodically check that all nuts, bolts and other fasteners are properly tightened.

### **SECURE YOUR WORKPIECE**

1. To avoid blade binding or loss of control, always secure the workpiece to a stable platform, ensuring that body exposure is minimized.
2. Ensure that work is correctly supported. Supports must be placed under the workpiece on both sides, close to the line of cut and near the edge of the workpiece.
3. For accuracy of cut, and to avoid blade binding, always use a rip fence or straight edge guide.
4. Use extra caution with very large, very small, or awkwardly-shaped workpieces. Small pieces should be secured with clamps. Do not hold small pieces with your hand because your fingers might go under the blade guard.

## **SPECIFIC RULES FOR YOUR BAND SAW**

**⚠ WARNING!** Do not operate the power tool until you have read and understood the following instructions and the warning labels.

5. Never hand-hold a workpiece that is too small to be clamped, as it can be launched away and cause injury. Use proper support and guides to secure the small workpiece.
6. Support round work properly (use a V block or press it against the miter gauge) to prevent it from rolling and the blade from biting.
7. Plan intricate or small work carefully to avoid pinching the blade. Avoid awkward operations and hand positions to prevent accidental contact with the blade.
7. Blade guide, supports, bearings, and blade tension must be properly adjusted to avoid accidental blade contact and to minimize blade breakage. To maximize blade support, always adjust the upper blade guide and blade guard so that it barely clears the workpiece.
8. Turn on the band saw and let it reach full speed, then slowly slide the workpiece into the blade. This will help produce safer and cleaner cuts.
9. Never cut more than one piece at a time. Do not stack workpieces together. Do not attempt to cut material thicker than specified on page 3 of this manual. Adjust the upper blade guide to suit the thickness of the workpiece.

### **DURING CUTTING OPERATIONS**

1. Always stand to one side when operating the saw. Never have any part of the body in line with the path of the saw. Never hold a workpiece in your hand or across your legs while cutting.
2. Ensure hands are away from the cutting area and blade.
3. Feed work into the blade against the direction of rotation of the blade only.
4. If you are interrupted when operating the saw, complete the process and switch the saw off before looking up.
5. Power tools must always be held by the insulated gripping surfaces when performing an operation, ensuring protection if the cutting tool makes contact with its own cord or hidden wiring. Contact with a 'live' wire will make exposed metal parts of the power tool 'live' and shock the operator if the insulated gripping surfaces are not used.
6. Do not use the band saw unless all guards are in place. Do not operate with any guard disabled, damaged, or removed. Moving guards must move freely and close instantly.
10. If a cut does not extend to the edge of the workpiece, or if the blade binds in the cut, allow the blade to come to a complete stop and lift the workpiece away from the blade.
11. Turn off tool and wait for saw blade to stop before moving workpiece or changing settings. Do not slow or stop a blade with a piece of wood or by hand. Let the blade come to rest naturally. Do not attempt to free a jammed blade while the machine is still running and connected to power.
12. Always adjust the upper blade guide to cover the blade after use.

# ELECTRICAL INFORMATION

## GROUNDING INSTRUCTIONS

**In the event of a malfunction or breakdown**, grounding provides the path of least resistance for an electric current and reduces the risk of electric shock. This tool is equipped with an electric cord that has an equipment grounding conductor and a grounding plug. The plug **MUST** be plugged into a matching outlet that is properly installed and grounded in accordance with ALL local codes and ordinances.

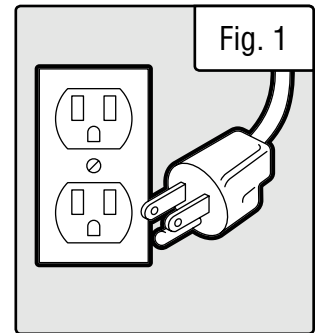
**1. Do not modify the plug provided.** If it will not fit the outlet, have the proper outlet installed by a licensed electrician.

**2. Improper connection** of the equipment grounding conductor can result in electric shock. The conductor with the green insulation (with or without yellow stripes) is the equipment grounding conductor. If repair or replacement of the electric cord or plug is necessary, **DO NOT** connect the equipment grounding conductor to a live terminal.

**3. Check** with a licensed electrician or service personnel if you do not completely understand the grounding instructions or whether the tool is properly grounded.

**4. Use only three-wire extension cords** that have three-pronged plugs and outlets that accept the tool's plug (INSERT CR). Repair or replace a damaged or worn cord immediately.

**CAUTION!** In all cases, make certain the outlet in question is properly grounded. If you are not sure, have a licensed electrician check the outlet.



## GUIDELINES AND RECOMMENDATIONS FOR EXTENSION CORDS

When using an extension cord, be sure to use one heavy enough to carry the current your product will draw. An undersized cord will cause a drop in line voltage resulting in loss of power and overheating. The table below shows the correct size to be used according to cord length and ampere rating. When in doubt, use a heavier cord. The smaller the gauge number, the heavier the cord.

AMPERAGE	REQUIRED GAUGE FOR EXTENSION CORDS			
	25 ft.	50 ft.	100 ft.	150 ft.
3.5A	18 gauge	16 gauge	16 gauge	14 gauge

**1. Examine extension cord before use.** Make sure your extension cord is properly wired and in good condition. Always replace a damaged extension cord or have it repaired by a qualified person before using it.

**2. Do not abuse extension cord.** Do not pull on cord to disconnect from receptacle; always disconnect by pulling on plug. Disconnect the extension cord from the receptacle before disconnecting the product from the extension cord. Protect your extension cords from sharp objects, excessive heat and damp/wet areas.

**3. Use a separate electrical circuit for your tool.** This circuit must not be less than a 12-gauge wire and should be protected with a 15A time-delayed fuse. Before connecting the motor to the power line, make sure the switch is in the OFF position and the electric current is rated the same as the current stamped on the motor nameplate. Running at a lower voltage will damage the motor.



# UNPACKING & TRANSPORTATION

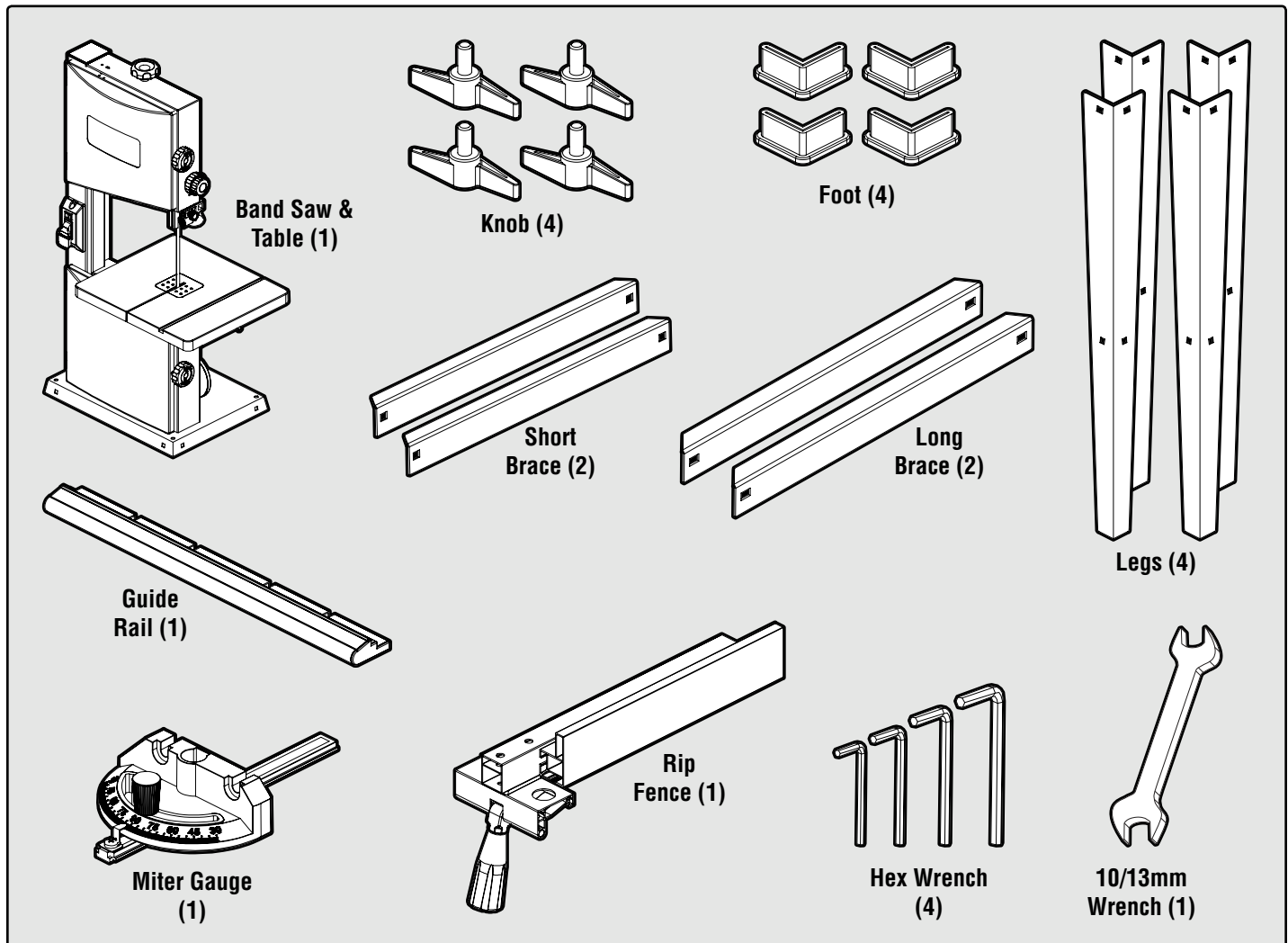
**⚠ WARNING!** Do not plug in or turn on the tool until it is fully assembled according to the instructions. Failure to follow the safety instructions may result in serious personal injury.

## UNPACKING

With the help of a friend or trustworthy foe, carefully remove the band saw from the packaging. Make sure to take out all contents and accessories. Do not discard the packaging until everything is removed. Check the packing list below to make sure you have all of the parts and accessories. If any part is missing or broken, please contact our customer service at **1-800-232-1195** (M-F 8-5 CST), or email [techsupport@wenproducts.com](mailto:techsupport@wenproducts.com).

## PACKING LIST

(NOTE: A hardware bag is included but not shown below.)



## ASSEMBLY/ADJUSTMENT TOOLS (NOT INCLUDED)

The tools listed below are required for either assembly or adjustment:

- 14mm Open-End Wrench (2)
- Combination Square (1)
- Phillips-Head Screwdriver (1)
- Bubble Level (1)

## Hardware Bag Contents

- Carriage Bolts, M8 x 16 (16)
- Flat Washers, 8mm (16)
- Hex Nut, M8 (16)
- Hex Bolts, M6 x 10 (4 - with table)
- Flat Washers, 6mm (4 - with table)

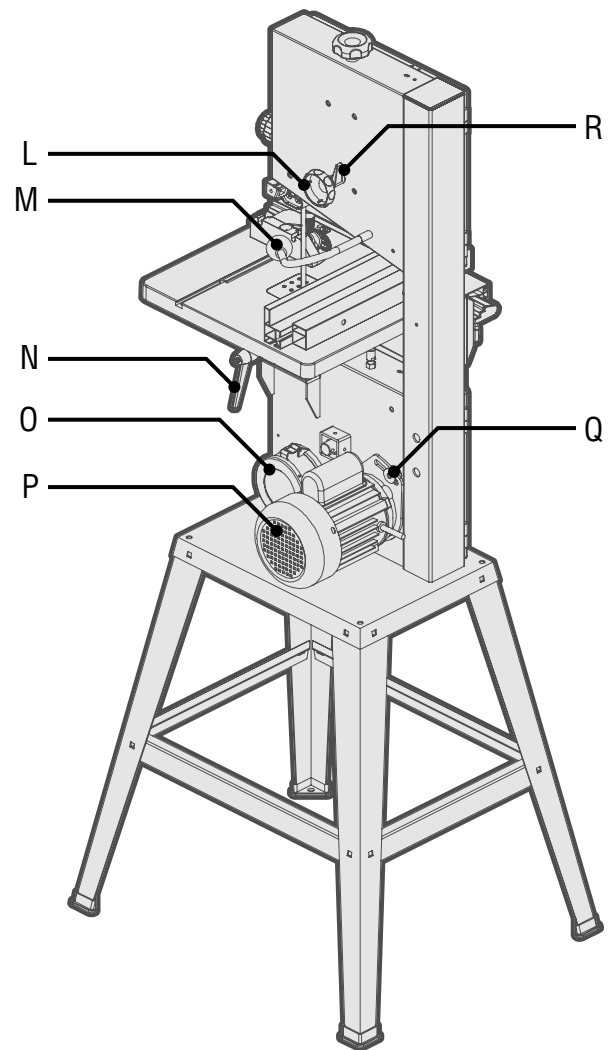
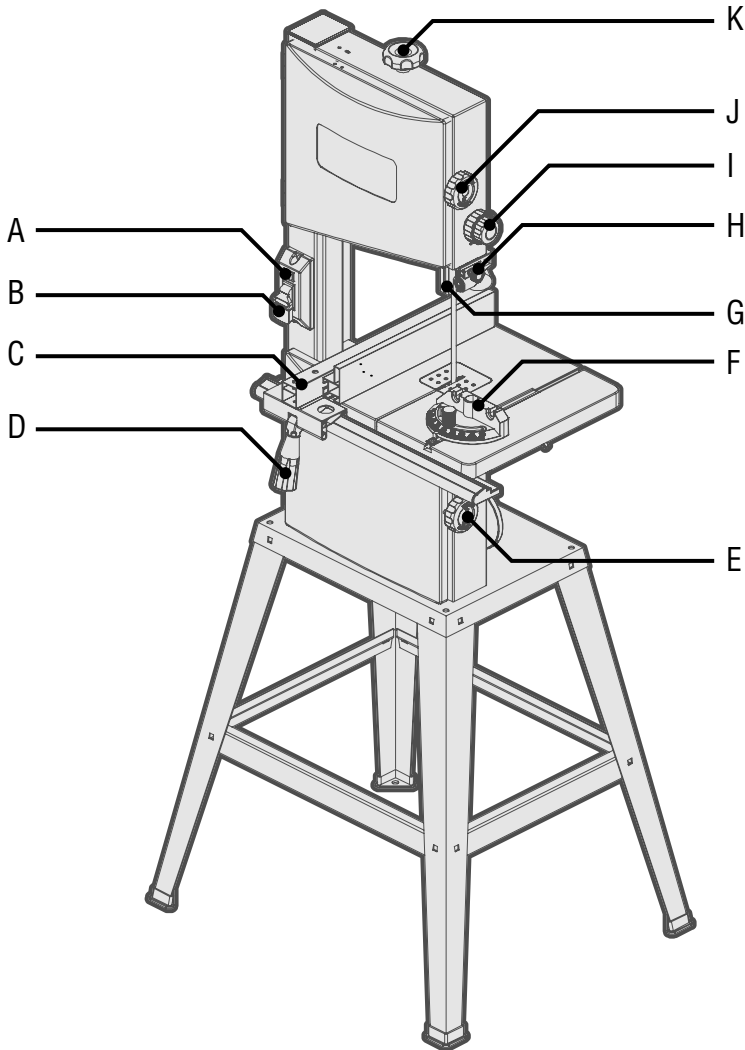
## TRANSPORTING

When transporting your band saw, never carry the saw by its guards or its accessories.

# KNOW YOUR BAND SAW

## TOOL PURPOSE

Band saws are used to cut wood. Refer to the following diagrams to become familiarized with all the parts and controls of your band saw. The components will be referred to later in the manual for assembly and operation instructions.



- A. Light On/Off Switch
- B. Power Switch
- C. Fence Assembly
- D. Fence Locking Lever
- E. Lower Housing Knob
- F. Miter Gauge

- G. Upper Blade Guide
- H. Blade Bearing Adjustment Knob
- I. Blade Guide Adjustment Knob
- J. Upper Housing Knob
- K. Blade Tension Knob
- L. Blade Tracking Adjustment Knob

- M. Work Light
- N. Table Bevel Lock
- O. Dust Port
- P. Motor
- Q. Motor Tension Release  
(Hex Bolt)
- R. Tracking Lock Knob

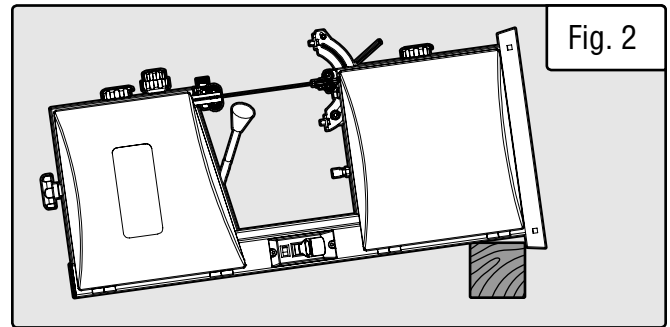
# ASSEMBLY & ADJUSTMENTS

**⚠ WARNING!** Do not plug in or turn on the tool until it is fully assembled according to the instructions. Read through and become familiarized with the following procedures of handling and adjusting your tool. Failure to follow the safety instructions may result in serious personal injury.

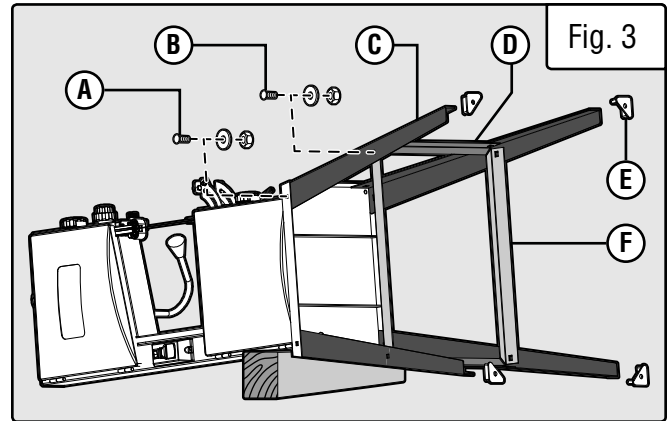
## ASSEMBLING THE STAND (FIG. 3)

**NOTE:** If you do not plan to mount the band saw on the stand, make sure it is securely mounted to a workbench or other sturdy surface.

1. Place the band saw on its back, use a 4x4 block of wood to support the bottom of the frame (Fig. 2). This will give you space to assemble the stand.



2. Attach the legs (C) to the band saw with the M8x16 carriage bolts, 8mm flat washers, and M8 hex nuts (A). Hand tighten.

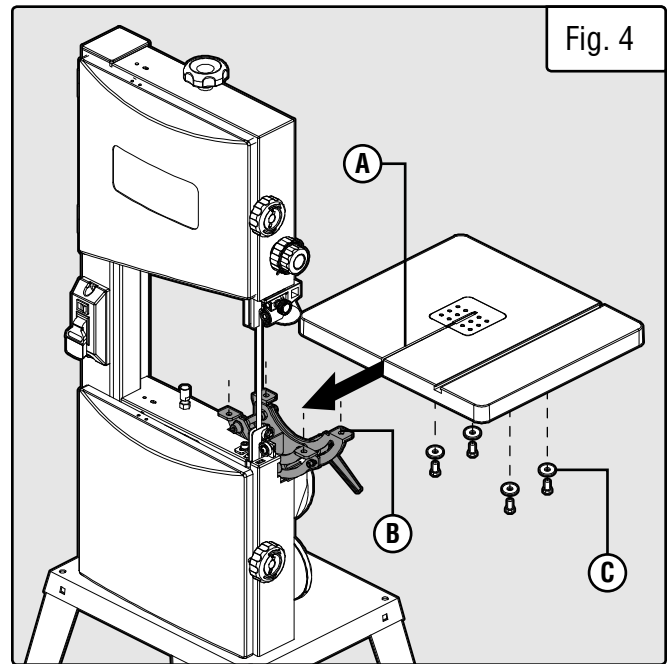


3. Attach the short (D) and long (F) braces to the legs with the M8x16 carriage bolts, 8mm flat washers, and M8 hex nuts (B). Hand tighten.

**NOTE:** Do not fully tighten the nuts yet.

4. Attach a rubber foot (E) to each leg.

5. Place the saw upright. Use the bubble level on the base of the saw's frame to check if the saw is level from left to right, as well as from front to back. Make adjustments as necessary, then tighten the nuts. Make sure the stand does not wobble or tilt after all nuts are tightened.



## INSTALLING THE TABLE (FIG. 4)

1. Align the slot on the table (A) with the blade and slide the table around the blade. Align the holes on the mounting bracket (B) with the holes underneath the table.

2. Fasten the table to the mounting bracket with the M6x10 hex bolts and 6mm flat washers (C). Tighten the bolts using the 10/13mm wrench.

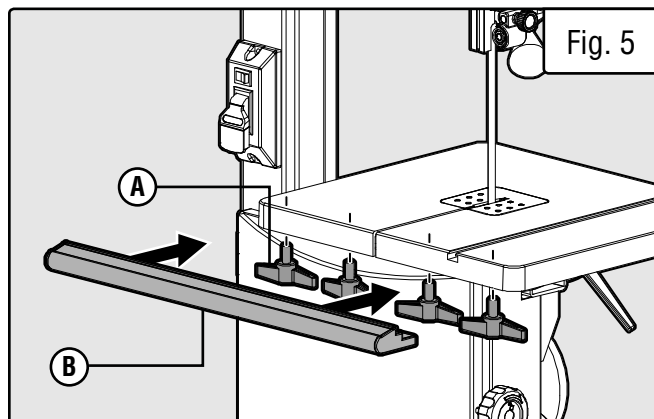
**NOTE:** It is best to attach the table in the 0° position (perpendicular to the blade). If desired, you may bevel the table in order to access the bolts more easily.

## ASSEMBLY & ADJUSTMENTS

### INSTALLING THE GUIDE RAIL (FIG. 5)

1. Install the 4 guide rail lock knobs (A) into the underside of the table. Do not tighten them yet – just seat them in the holes.

2. With the ruler-side up, slide the slots on the guide rail (B) over the threaded shafts of the knobs. Tighten the knobs.

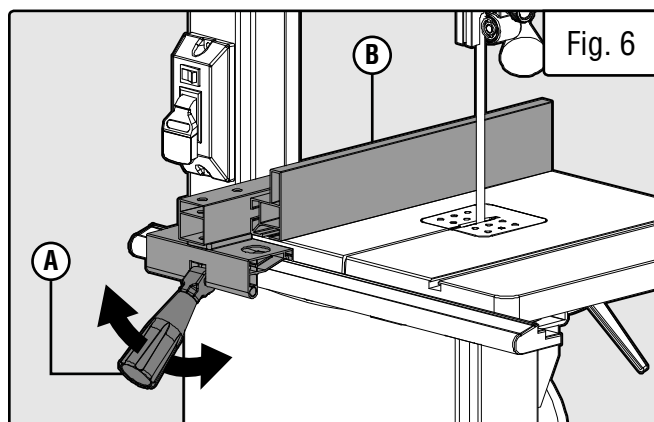


### INSTALLING THE FENCE (FIG. 6)

1. Lift the fence locking lever (A) to unlock it.

2. Slide the fence (B) onto the guide rail.

3. Lower the fence locking lever to lock it in position.



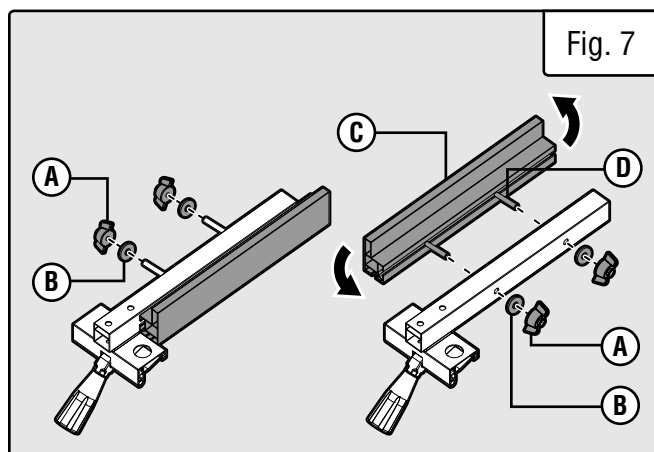
### REVERSING THE FENCE (FIG. 7)

The rip fence can be used on either side of the blade. If using it on the right-hand side of the blade, reverse the fence by following the instructions below.

1. Remove the knobs (A) and washers (B) from the fence assembly.

2. Reverse the fence beam (C).

3. Re-install the knobs (A) and washers (B) onto the fence beam bolts (D). Tighten the knobs.



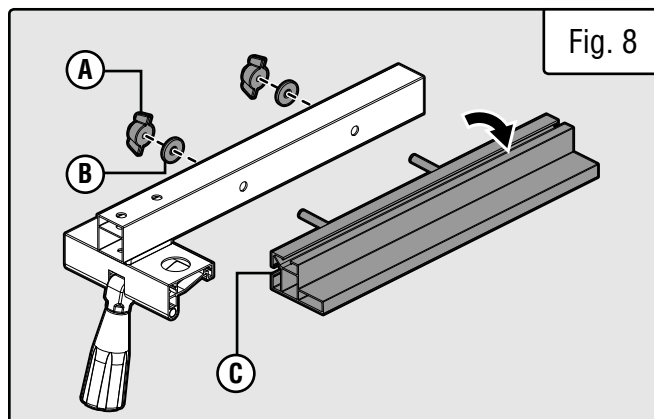
**NOTE:** When cutting thin materials, the fence may be re-positioned further. See Fig. 8. Remove the knobs (A) and washers (B) from the fence assembly. Flip the fence so the flat side faces down. Remove the fence beam bolts and re-install them in the bottom slot (C). Re-install the knobs and washers onto the fence beam bolts. Tighten the knobs.

### BEVELING THE TABLE (FIG. 9, P. 13)

1. Loosen the table bevel lock handle (A). Adjust the table to the desired position.

2. Use the angle indicator (B) to confirm the desired angle, then tighten the table bevel lock handle.

**NOTE:** The locking handle is spring-loaded and can be re-positioned. To re-position the handle, pull the handle body outwards, turn it to the desired position, then let it spring back in.



## ASSEMBLY & ADJUSTMENTS

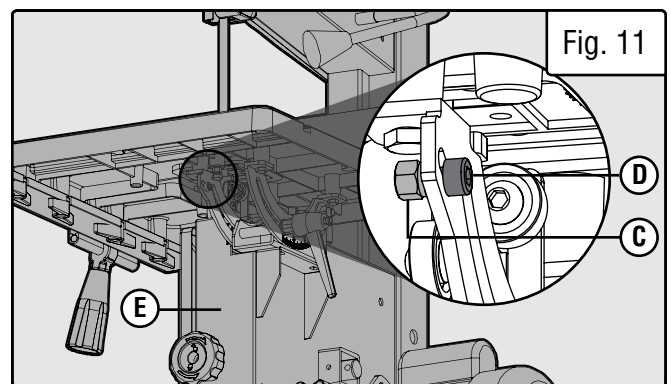
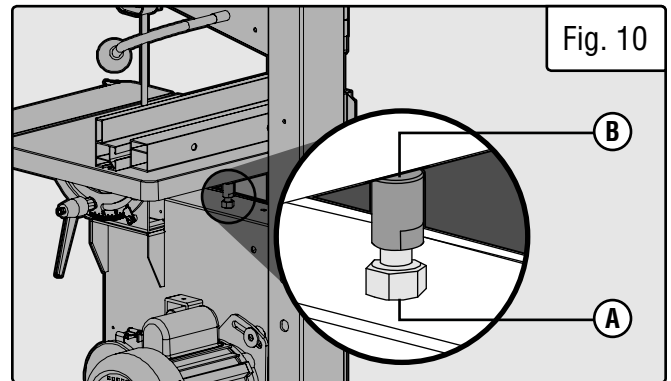
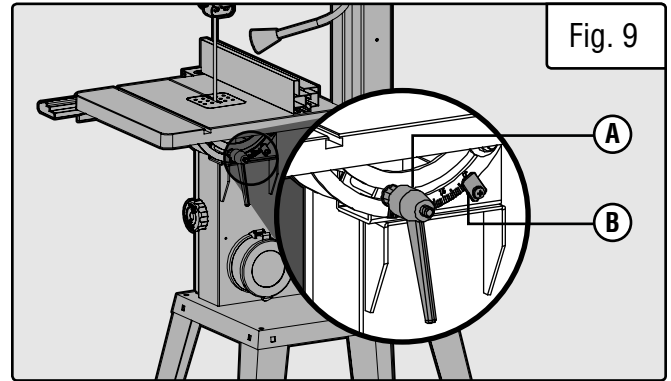
### SETTING THE 0° / 45° STOPS (FIG. 10 & 11)

1. To adjust the **0° positive stop**, loosen the nut (A) on the stop. Turn the stop (B) with a wrench to adjust it upwards or downwards.

2. Use a bubble level to check that the table is level, and a combination square to ensure that the table is square to the blade. Make adjustments to the positive stop as necessary, then tighten the nut.

3. Examine the angle indicator on the bevel guide, and ensure it points to 0. If it does not, loosen the screw on the indicator and adjust the pointer so it points to 0. Tighten the screw.

4. To adjust the **45° positive stop**, loosen the nut (C) on the stop. Bevel the table so the angle indicator reads 45. Adjust the stop (D) so that it contacts the saw body (E), then tighten the nut.



### ADJUSTING THE BLADE TRACKING

Blade tracking refers to the adjustments that are made in order to keep the blade riding on the wheels smoothly and evenly. Blade tracking has been set by the factory. However, when you install a new blade, you may need to adjust the tracking settings.

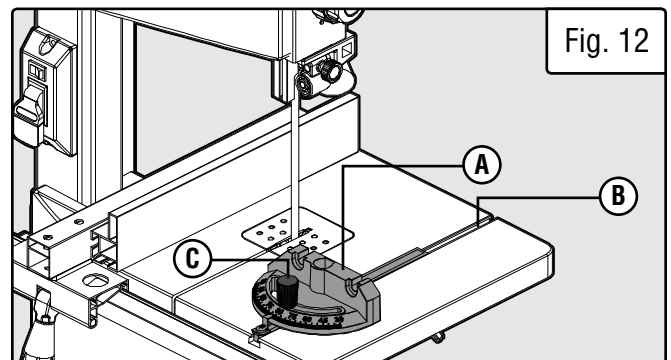
1. Turn off and unplug the band saw. Wait for the blade to come to a complete stop. Open the upper and lower doors.

2. Loosen the tracking lock knob (p. 10 - R). Use one hand to grip the spokes of the upper wheel and turn it clockwise, observing the blade tracking. Do not touch the blade.

3. Slowly turn the tracking knob (p. 10 - L) while rotating the upper wheel. Adjust until the blade tooth gullets are centered over the tire.

**NOTE:** You may only need to adjust the tracking knob by 1/4 turn or so. Make only small adjustments – this will make tracking the blade properly much easier.

4. Tighten the tracking lock knob and close both covers.



### USING THE MITER GAUGE (FIG. 12)

1. Place the miter gauge (A) into the T-slot (B) on the work table.

2. Loosen the knob (C) on the gauge and set a new miter angle (between 0° and 60°). Tighten the knob.

**! CAUTION!** Saw blades are sharp. Always wear ANSI Z87.1-approved eye protection, as well as protective gloves, while handling saw blades.

# ASSEMBLY & ADJUSTMENTS

## ADJUSTING THE BLADE TENSION (FIG. 13)

**⚠ WARNING!** If the blade tension is too high, the blade may break. If the tension is too low, the blade may slip, stall, or wander during a cut.

1. Raise the upper blade guide (see section below).
2. Turn the blade tension knob (A) clockwise to increase blade tension; turn it counterclockwise to decrease blade tension.

**⚠ CAUTION!** Saw blades are sharp. Always wear ANSI Z87.1-approved eye protection, as well as protective gloves, while handling saw blades.

3. With a gloved finger, gently press the blade to the left. Take this measurement at the left side of the saw, before the blade touches the upper wheel (Fig. 13). When tension is properly adjusted, the blade should not move more than 1/8-inch.

## ADJUSTING THE UPPER BLADE GUIDE (FIG. 14)

The height of the upper blade guide should be adjusted prior to every cut. The blade guide should always be positioned as close to the upper face of the workpiece as possible – no more than 1/8 inch (3mm) away.

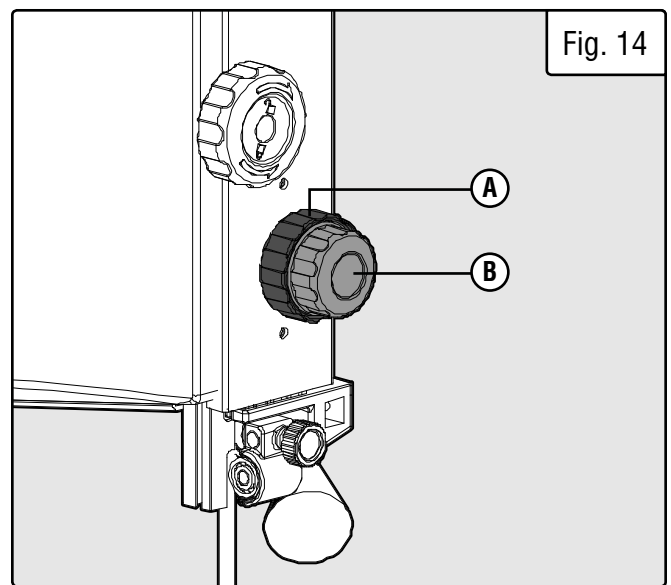
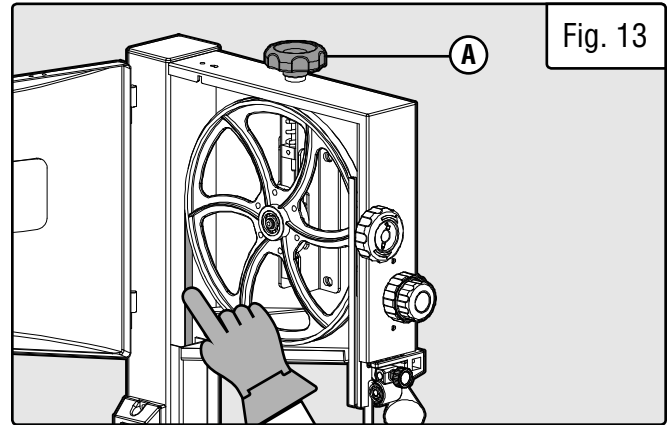
1. Loosen the adjustment locking knob (B). Use the adjustment knob (outer ring, A) to adjust the height of the upper blade guide. Tighten the adjustment locking knob once the desired setting has been reached.

## ADJUSTING THE UPPER GUIDE BEARINGS (FIG. 15 - 16)

Proper adjustment of the guide bearings is one of the best things you can do for your saw – it will prolong blade life, prolong bearing life, and help prevent blade “drift”.

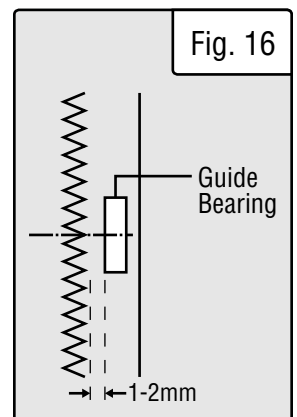
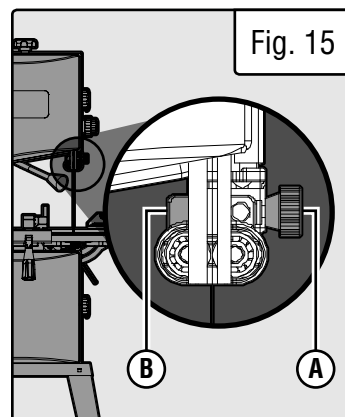
1. Turn off and unplug the band saw. Wait for the blade to come to a complete stop. Open the upper door.
2. Loosen the knob (A) on the right side of the upper guide bearing assembly. Position the assembly so that the roller bearings are about 1 – 2 mm (1/10 inch) behind the tooth gullets (Fig. 16). Tighten the knob.

**Instructions continue on the next page.**



**⚠ CAUTION!** The upper blade guide bearings must be adjusted after every blade change and tracking adjustment.

**NOTE:** Do not rotate the upper guide bearing assembly about the shaft.



## ASSEMBLY & ADJUSTMENTS

### CONTINUED - ADJUSTING THE UPPER GUIDE BEARINGS (FIG. 15 - 17)

3. Loosen the knob (Fig. 15 - B) on the left side of the upper guide bearing assembly. Position the thrust bearing so that it is as close to the spine of the blade as possible, without touching it.

4. Rotate the blade a few times to ensure that the spine of the blade does not touch the bearing at all while the blade is rotating. Once the bearing has been properly positioned, tighten the knob (Fig. 15 - B).

5. Use a hex wrench to loosen the socket-head cap screws (C) on the back of the upper guide bearing assembly. Position the roller bearings so that they are as close as possible to the body of the blade without touching it. This will be about 0.5 mm (1/50 inch).

6. Rotate the blade a few times to ensure that the body of the blade does not touch either roller bearing at all while the blade is rotating. Once the bearings have been properly positioned, tighten the screws.

### ADJUSTING THE LOWER GUIDE BEARINGS (FIG. 18)

Proper adjustment of the guide bearings is one of the best things you can do for your saw – it will prolong blade life, prolong bearing life, and help prevent blade “drift”.

**⚠ WARNING!** The lower blade guide bearings must be adjusted after every blade change and tracking adjustment.

1. Turn off and unplug the band saw. Wait for the blade to come to a complete stop. Open the lower door.

2. Use a hex wrench to loosen the socket-head cap screw (D) found beneath the table insert. Position the assembly so that the roller bearings are about 1 – 2 mm (1/10 inch) behind the tooth gullets (Fig. 16). Tighten the screw.

3. Use a hex wrench to loosen the socket-head cap screw (E) on the thrust bearing. Position the thrust bearing so that it is as close to the spine of the blade as possible, without touching it.

4. Rotate the blade a few times to ensure that the spine of the blade does not touch the bearing at all while the blade is rotating. Once the bearing has been properly positioned, tighten the screw (E).

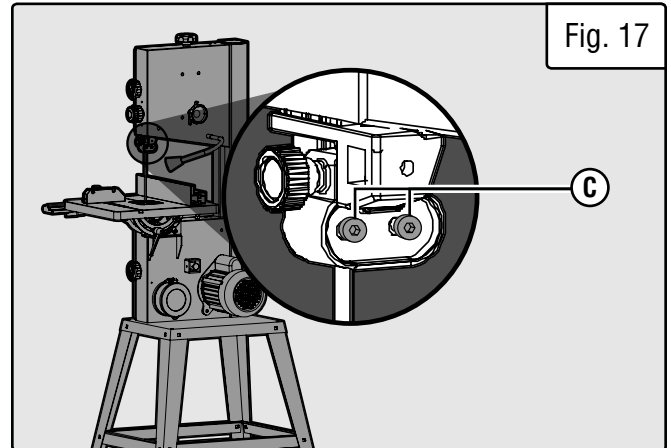


Fig. 17

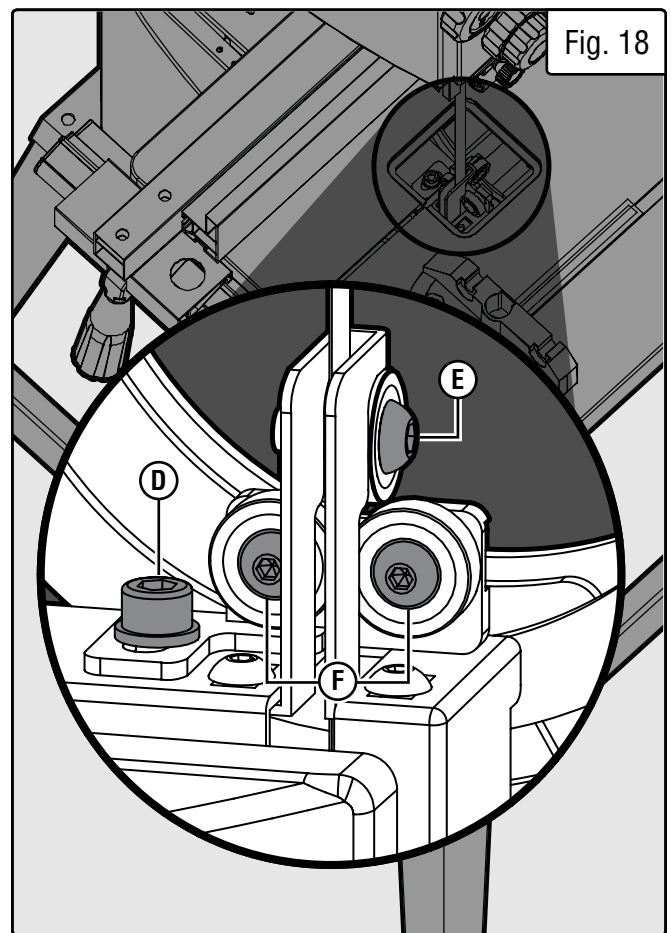


Fig. 18

5. Use a hex wrench to loosen the socket-head cap screws (F) on the roller bearings. Position the roller bearings so that they are as close as possible to the body of the blade without touching it. This will be about 0.5 mm (1/50 inch).

6. Rotate the blade a few times to ensure that the body of the blade does not touch either roller bearing at all while the blade is rotating. Once the bearings have been properly positioned, tighten the screws.

## ASSEMBLY & ADJUSTMENTS

### ADJUSTING THE CUTTING SPEED (FIG. 19)

Your band saw can cut at 1520 or 2620 FPM. The higher setting is generally appropriate for soft woods; the lower setting is generally appropriate for hard woods. Make test cuts on scrap pieces before beginning, in order to determine what setting will work best for your particular cut.

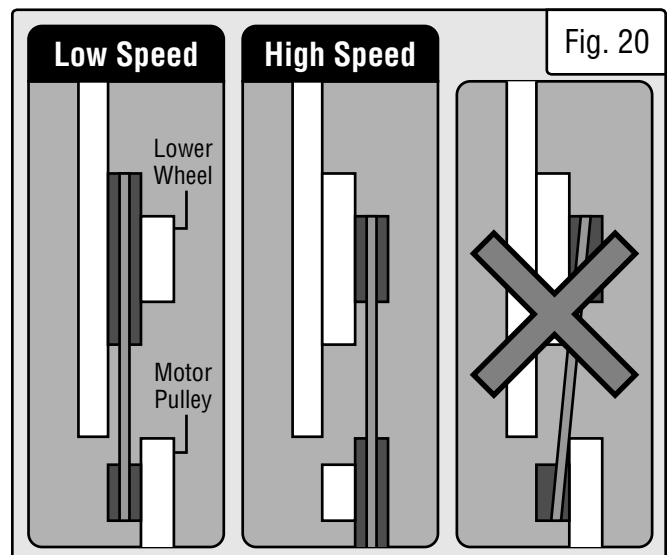
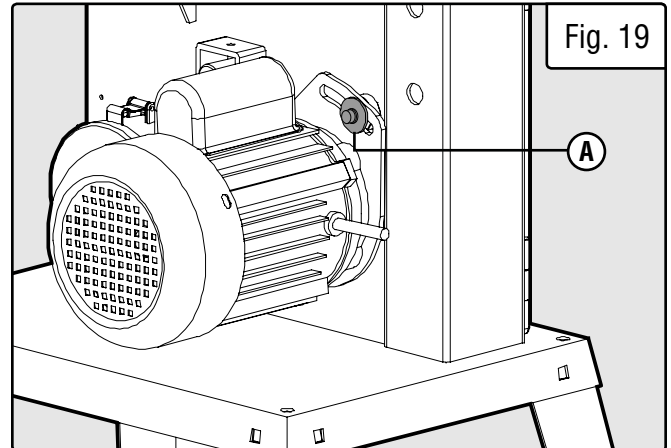
1. Turn off and unplug the band saw. Wait for the blade to come to a complete stop. Open the lower door.

**⚠ CAUTION!** Saw blades are sharp. Always wear ANSI Z87.1-approved eye protection, as well as protective gloves, while handling saw blades.

2. Loosen the socket-head cap screw (A) on the back of the motor-mounting flange, then move the motor towards the center of the saw. This will relieve tension on the drive belt. Tighten the screw.

3. Adjust the position of the belt. Refer to the diagram in Fig. 20.

4. Loosen the socket-head cap screw (A) on the back of the motor-mounting flange, and return the motor to its original position. The weight of the motor will apply tension to the drive belt. Press on the inside of the belt with a finger – if the belt moves about  $\frac{1}{2}$  inch, the belt is properly tensioned. Tighten the screw. Close the lower cover.



**NOTE:** Use the instructions above to adjust the belt tension, as needed, over the life of your saw. Older belts may stretch with use.

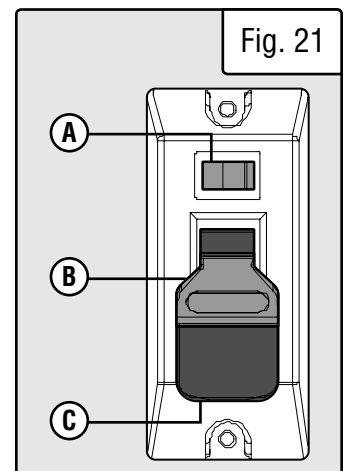
## OPERATION

**⚠ WARNING!** Do not plug in or turn on the tool until it is fully assembled according to the instructions. Read through and become familiarized with the following procedures of handling and adjusting your tool. Failure to follow the safety instructions may result in serious personal injury.

### USING THE POWER SWITCH (FIG. 21)

Use the power switch (C) to turn the saw ON and OFF. Remove the yellow safety key (B) when the saw is OFF to prevent unauthorized use. Store the safety key in a safe place out of the reach of children.

Use the light switch (A) to turn the LED light ON and OFF. The light can be used with or without the saw running. Position the light wherever it is most useful during cutting.





## OPERATION

### GENERAL CUTTING GUIDELINES

1. Make a test cut on scrap wood to test the settings and get the hang of operating the band saw.
2. Make all adjustments with the band saw turned OFF and unplugged.
3. Make sure the upper guard is close to the upper face of your workpiece (see Adjusting the Upper Blade Guide on page 14). Always use a push stick when cutting intricate or narrow workpieces. Keep fingers, hands, and other beloved body parts away from the blade!
4. Do not force the workpiece against the blade. Let the tool do the work. Light contact gives easier cutting and prevents excess friction, which will prolong the life of the blade and prevents workpiece burning.
5. Always use dust collection. A dust port is located on the back of the saw, next to the motor (p. 10 - O). Use a hose clamp (if necessary) to secure the adapter or dust hose to the dust port.
6. The band saw is most suitable for straight-line cutting (cross-cutting, ripping, miter cutting, beveling, compound cutting, and resawing). While it can certainly cut curves, it is not a scroll saw, and cannot perform the same kinds of cuts. Do not cut sharp corners; instead, saw around corners.

### CUTTING CURVES

When cutting curves, carefully turn the workpiece so that the blade follows the cut line without twisting. If the curve is so sharp that you repeatedly back up and cut new kerf, use a narrower blade, or a blade with more set (that is, the teeth are further apart). When a blade has more set, the workpiece turns more easily, but you will get a rougher cut.

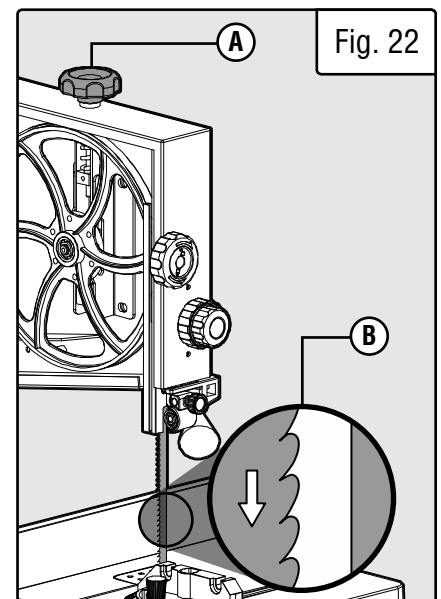
When changing a cut, do not withdraw the workpiece from the blade – the workpiece may drag the blade off the wheels. Instead, turn the workpiece and cut out through the scrap section of the workpiece. When cutting long curves, make relief cuts as you go along.

**⚠ CAUTION!** Saw blades are sharp. Always wear ANSI Z87.1-approved eye protection, as well as protective gloves, while handling saw blades.

**⚠ CAUTION!** Always be sure that the band saw is turned OFF and unplugged before making any adjustments.

### CHANGING BLADES (FIG. 22)

1. Double-check that the band saw is turned OFF and disconnected from the power source. Open the upper and lower doors.
2. Loosen the four guide rail lock knobs (you do not have to completely remove the knobs), and slide the guide rail off.
3. Turn the blade tension knob (A) to relieve tension on the blade.
4. Remove the blade from the wheels and from between the upper and lower bearing guides. Guide it through the table slot. Store the blade in a safe place.
5. Guide the new blade through the table slot, spine first. The blade teeth should be facing you, pointing down towards the table (B).
6. Place the blade on the upper and lower wheels, and between the bearing guides.
7. Tension the blade (see Adjusting the Blade Tension on page 14).
8. Adjust the blade tracking (see Adjusting the Blade Tracking on page 13).
9. Adjust the upper and lower bearing guides (see on page 14 - 15).
10. Replace the guide rail. Tighten the lock knobs.
11. Make a test cut on a scrap piece of wood before resuming cutting.



# MAINTENANCE

**⚠ WARNING!** To avoid accidents, turn OFF and unplug the tool from the electrical outlet before cleaning, adjusting, or performing any maintenance work.

**⚠ WARNING!** Any attempt to repair or replace electrical parts on this tool may be hazardous. Servicing of the tool must be performed by a qualified technician. When servicing, use only identical WEN replacement parts. Use of other parts may be hazardous or induce product failure.

## ROUTINE INSPECTION

Before each use, inspect the general condition of the tool. If any of these following conditions exist, do not use until parts are replaced or the saw is properly repaired.

### Check for:

- Loose hardware,
- Misalignment or binding of moving parts,
- Damaged cord/electrical wiring,
- Cracked or broken parts, and
- Any other condition that may affect its safe operation.

## CLEANING & STORAGE

1. Keep the ventilation openings free from dust and debris to prevent the motor from overheating. **NOTE:** Always use a dust collection system. This will help prevent sawdust from building up inside the band saw.

2. Wipe the tool surfaces clean with a clean cloth. Make sure water does not get into the tool. Remove any pitch, sap, or resin that has accumulated on the table, blade guide, bearings, etc. using a damp cloth.

**⚠ CAUTION!** Most plastics are susceptible to damage from various types of commercial solvents. Do not use any solvents or cleaning products that could damage the plastic parts. Some of these include but are not limited to: gasoline, carbon tetrachloride, chlorinated cleaning solvents, and household detergents that contain ammonia.

3. At least once a month, open the doors and vacuum out any accumulated dust, shavings, etc. Remove the blade and clean off any built-up sawdust from the wheels and tires using a stiff brush.

4. At least once a month, check the V-belt for proper tension and any signs of wear.

5. Store the tool in a clean and dry place away from the reach of children. Store in temperatures between 41° to 86°F.

6. Cover the band saw in order to protect it from dust and moisture. Keep the instruction manual and all accessories nearby.

7. If you do not plan to use the band saw for a long period of time (over 1 week), release tension on the blade. This will help prolong blade life.

## LUBRICATION

1. As needed, apply a light coat of good-quality paste wax to the table. This will help provide a smooth gliding surface for your workpieces.

2. As needed, apply a light coat of dry lubricant (PTFE works well) to the space between the table bevel brackets and the base bracket. This will help ensure that the table bevels easily.

3. The bearings on your band saw are permanently sealed and lubricated, and require no additional lubrication.

## PRODUCT DISPOSAL

Used power tools should not be disposed of together with household waste. This product contains electronic components that should be recycled. Please take this product to your local recycling facility for responsible disposal and to minimize its environmental impact.



**Please recycle the packaging and electronic components where facilities exist.**

## TROUBLESHOOTING GUIDE

**⚠ WARNING!** Stop using the tool immediately if any of the following problems occur. Repairs and replacements should only be performed by an authorized technician. For any questions, please contact our customer service at (800) 232-1195, M-F 8-5 CST or email us at [techsupport@wenproducts.com](mailto:techsupport@wenproducts.com).

PROBLEM	POSSIBLE CAUSE	SOLUTION
<b>Band saw will not start (no sound whatsoever).</b>	1. Saw not plugged in.	1. Plug in saw. Did I really have to tell you to do this?
	2. Power switch turned OFF, or safety key not inserted.	2. Insert safety key and turn saw ON.
	3. Improper size/length of extension cord.	3. Use proper extension cord. Refer to chart on page 8.
	4. Bad outlet.	4. Try another outlet, tell the outlet to be good, or have a qualified electrician check/replace outlet.
	5. Defective power switch.	5. Stop using the tool and call 1-800-232-1195 for customer service.
<b>Band saw will not start (humming sound).</b>	1. Blade overtightened.	1. Adjust blade tension properly. See page 14.
	2. Belt overtightened.	2. Adjust belt tension properly. See page 16.
	3. Bad start capacitor.	3. Stop using the tool and call 1-800-232-1195 for customer service.
	4. Bad motor bearing, or bad motor.	4. Stop using the tool and call 1-800-232-1195 for customer service.
<b>LED light does not turn on.</b>	1. Band saw is not plugged in.	1. Plug in saw.
	2. LED power switch turned OFF.	2. Turn switch to ON (I).
	3. Loose connection.	4. Stop using the tool and call 1-800-232-1195 for customer service.
	5. Bad LED module, or PCB.	4. Stop using the tool and call 1-800-232-1195 for customer service.
<b>Blade will not track properly.</b>	1. Blade is improperly tensioned.	1. Adjust blade tension properly. See page 14.
	2. Tracking knob is over-adjusted.	2. Adjust tracking properly. See page 13.
	3. Blade is warped.	3. Replace the blade.
	4. Tires are worn.	4. Stop using the tool and call 1-800-232-1195 for customer service.

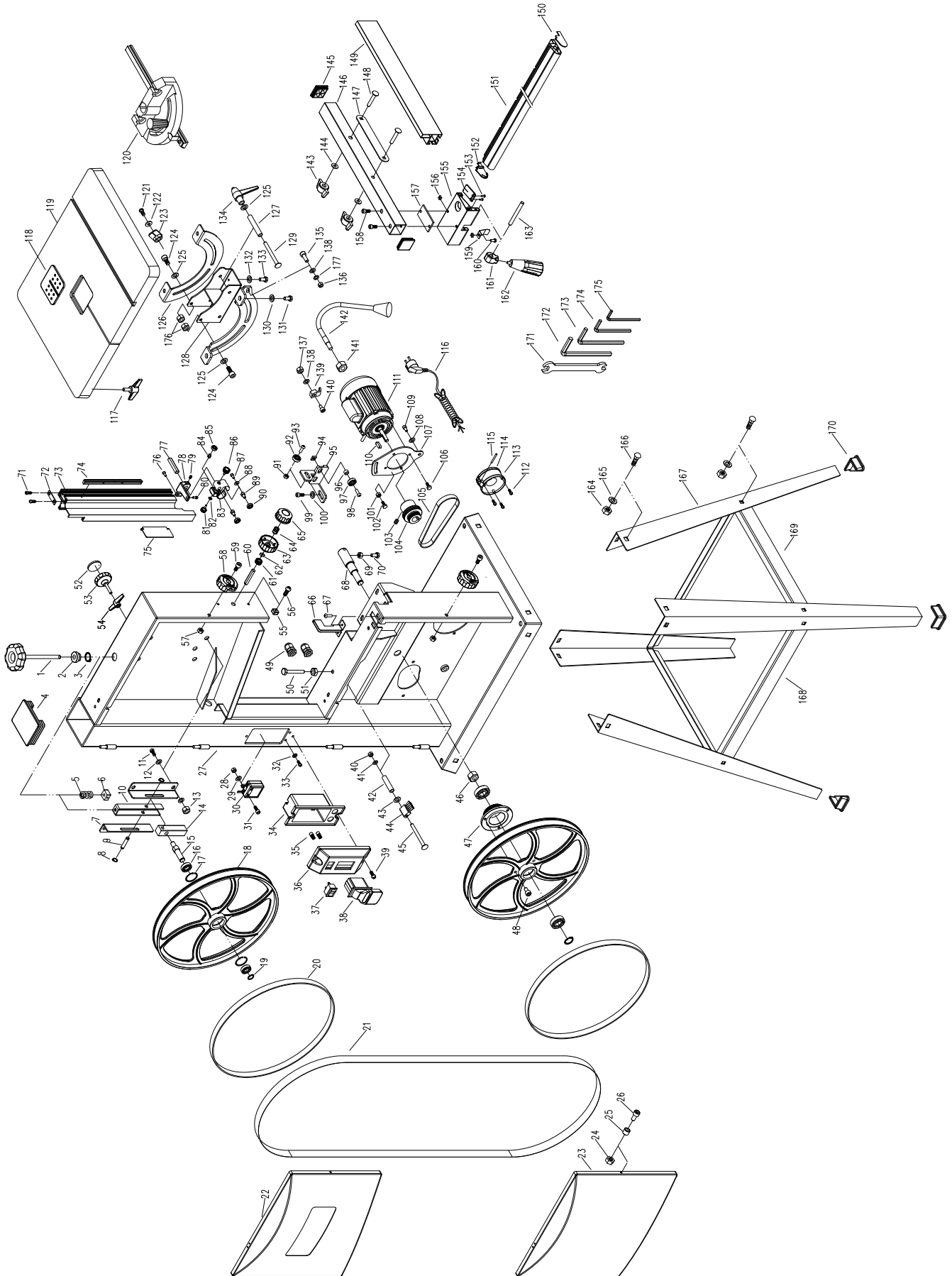
**Troubleshooting guide continues on the next page.**

## TROUBLESHOOTING GUIDE

**⚠ WARNING!** Stop using the tool immediately if any of the following problems occur. Repairs and replacements should only be performed by an authorized technician. For any questions, please contact our customer service at (800) 232-1195, M-F 8-5 CST or email us at [techsupport@wenproducts.com](mailto:techsupport@wenproducts.com).

PROBLEM	POSSIBLE CAUSE	SOLUTION
<b>Blade "drifts".</b>	1. Blade is improperly tensioned.	1. Adjust blade tension properly. See page 14.
	2. Blade is dull.	2. Replace the blade.
	3. Upper blade guard height improperly set.	3. Adjust upper blade guide height properly. See page 14.
	4. Guide bearings improperly adjusted.	4. Adjust guide bearings properly. See pages 14 & 15.
	5. Improper blade tracking setting.	5. Adjust tracking properly. See page 13.
	6. Improper feed rate.	6. Do not force the workpiece. Let the tool do the work.
	7. Blade is warped.	4. Stop using the tool and call 1-800-232-1195 for customer service.
<b>Saw is noisy.</b>	1. Loose fastener.	1. Check the saw and stand and ensure that all fasteners are tightened.
	2. Guide bearings improperly adjusted.	4. Adjust guide bearings properly. See pages 14 & 15.
	3. Improper blade tracking setting.	3. Adjust tracking properly. See page 13.
	4. Blade is hitting something it shouldn't.	3. Open up the saw doors and check to see if the blade is hitting something (rotate wheels by hand).
	5. Foreign object inside saw.	5. Remove object.
	6. Worn belt.	6. Replace belt. Contact customer service (1-800-232-1195) for assistance.
	7. Worn wheel or motor bearing.	7. Remove blade. Rotate each wheel by hand, then move the belt. Contact customer service (1-800-232-1195) for assistance.

# EXPLODED VIEW & PARTS LIST



## **EXPLODED VIEW & PARTS LIST**

No.	Part No.	Description	Qty.
1	3962-001	Blade Tension Knob	1
2	3962-002	Bushing	1
3	3962-003	15mm Retaining Ring	1
4	3962-004	Frame Cap	1
5	3962-005	Spring	1
6	3962-006	Nut	1
7	3962-009	Guide Plate	2
8	3962-007	8mm Retaining Ring	2
9	3962-008	Shaft	1
10	3962-010	Pulling Plate	1
11	3962-011	M8-1.25x16mm Hex Head Bolt	4
12	3962-012	8mm Flat Washer	8
13	3962-013	M8-1.25mm Hex Nut	4
14	3962-014	Bevel Block	1
15	3962-015	Shaft	1
16	3962-016	6000ZZ Ball Bearing	4
17	3962-017	26mm Retaining Ring	4
18	3962-018	Upper Wheel	1
19	3962-019	10mm Retaining Ring	2
20	3962-020	Tyre	2
21	3962-021	Blade	1
22	3962-022	Upper Cover	1
23	3962-023	Lower Cover	1
24	3962-024	M6-1.0mm Lock Nut	2
25	3962-025	Bushing	2
26	3962-026	M6-1.0x16mm Socket Head Bolt	2
27	3962-027	Frame	1
28	3962-028	M4-0.7mm Nut	1
29	3962-029	4mm Flat Washer	1
30	3962-030	Led Driver	1
31	3962-031	M4-0.7x12mm Socket Head Bolt	1
32	3962-032	5mm Serrated Washer	2

No.	Part No.	Description	Qty.
33	3962-033	M5-0.8x12mm Pan Head Screw	2
34	3962-034	Switch Box	1
35	3962-035	Connecting Terminal	2
36	3962-036	Switch Cover	1
37	3962-037	Led Switch	1
38	3962-038	Main Switch	1
39	3962-039	M5-0.8x10mm Pan Head Screw	2
40	3962-040	M8-1.25mm Nut	1
41	3962-041	8mm Flat Washer	1
42	3962-042	Bushing	1
43	3962-043	8mm Flat Washer	1
44	3962-044	Brush	1
45	3962-045	M8-1.25x70mm Carriage Bolt	1
46	3962-046	M14-2.0mm Hex Nut	1
47	3962-047	Spindle Pulley	1
48	3962-048	M5-0.8x10mm Socket Head Bolt	3
49	3962-049	Cord Bushing	2
50	3962-050	Limiting Shaft	1
51	3962-051	M8-1.25mm Hex Nut	1
52	3962-052	Knob Cap	1
53	3962-053	Tracking Set Knob	1
54	3962-054	Tracking Lock Knob	1
55	3962-055	Guide Block	2
56	3962-056	M4-0.7x8mm Pan Head Screw	2
57	3962-057	M6-1.0mm Lock Nut	2
58	3962-058	Cover Lock Knob	2
59	3962-059	M6-1.0x16mm Socket Head Bolt	2
60	3962-060	Shaft	1
61	3962-061	Gear	1
62	3962-062	Knob Insert	1

## EXPLODED VIEW & PARTS LIST

No.	Part No.	Description	Qty.
63	3962-063	Upper Guide Adjusting Knob	1
64	3962-064	Spring	1
65	3962-065	Lock Knob	1
66	3962-066	Lower Guard	1
67	3962-067	M6-1.0x10mm Socket Head Bolt	2
68	3962-068	Shaft	1
69	3962-069	M6-1.0mm Hex Nut	4
70	3962-070	M6-1.0x20mm Hex Head Bolt	4
71	3962-071	4.8-1.6x13mm Thread Forming Screw	2
72	3962-072	Limiting Plate	1
73	3962-073	Upper Blade Guard	1
74	3962-074	Rack	1
75	3962-075	Sliding Cover	1
76	3962-076	M5-0.8x6mm Socket Head Bolt	1
77	3962-077	Connecting Shaft	1
78	3962-078	Support Block	1
79	3962-079	M6-1.0x8mm Set Screw	1
80	3962-080	4.8-1.6x13mm Thread Forming Screw	1
81	3962-081	Knob	1
82	3962-082	5mm Flat Washer	1
83	3962-083	Bearing Cover	1
84	3962-084	Shaft	1
85	3962-085	607ZZ Ball Bearing	1
86	3962-086	Knob	1
87	3962-087	M5-0.8x16mm Socket Head Bolt	2
88	3962-088	5mm Flat Washer	2
89	3962-089	Shaft	2
90	3962-090	607ZZ Ball Bearing	2

No.	Part No.	Description	Qty.
91	3962-091	M6-1.0mm Hex Nut	1
92	3962-092	626ZZ Ball Bearing	1
93	3962-093	M6-1.0x16mm Socket Head Bolt	1
94	3962-094	M6-1.0mm Square Nut	2
95	3962-095	Lower Guide Plate	1
96	3962-096	Bushing	2
97	3962-097	626ZZ Ball Bearing	2
98	3962-098	6-1.0x20mm Socket Head Bolt	2
99	3962-099	6-1.0x10mm Socket Head Bolt	1
100	3962-100	6mm Flat Washer	1
101	3962-101	6-1.0mm Hex Nut	2
102	3962-102	M6-1.0x20mm Socket Head Bolt	2
103	3962-103	M6-1.0x8mm Set Screw	1
104	3962-104	Motor Pulley	1
105	3962-105	Belt	1
106	3962-106	M6-1.0x16mm Hex Head Bolt	4
107	3962-107	Motor Support Plate	1
108	3962-108	8mm Flat Washer	2
109	3962-109	M8-1.25x20mm Socket Head Bolt	2
110	3962-110	5x5x25mm Key	1
111	3962-111	Motor	1
112	3962-112	M4.2-1.4x13mm Thread Forming Screw	3
113	3962-113	Dust Port	1
114	3962-114	Dust Port Cover	1
115	3962-115	3x22mm Pin	1
116	3962-116	Power Cord	1
117	3962-117	Guide Rail Lock Knob	4
118	3962-118	Table Insert	1

## EXPLODED VIEW & PARTS LIST

No.	Part No.	Description	Qty.
119	3962-119	Table	1
120	3962-120	Miter Gauge	1
121	3962-121	M4-0.7x12mm Pan Head Screw	1
122	3962-122	4mm Flat Washer	1
123	3962-123	Pointer	1
124	3962-124	Socket Head Screw	2
125	3962-125	8mm Flat Washer	3
126	3962-126	Angle Guide Plate	2
127	3962-127	Bushing	1
128	3962-128	Table Bevelling Base	1
129	3962-129	Carriage Bolt	2
130	3962-130	6mm Flat Washer	4
131	3962-131	M6-1.0x10mm Hex Head Bolt	4
132	3962-132	6mm Flat Washer	4
133	3962-133	M6-1.0x12mm Hex Head Bolt	4
134	3962-134	Lock Handle	1
135	3962-135	M5-0.8x12mm Socket Head Bolt	1
136	3962-136	M5-0.8mm Hex Nut	1
137	3962-137	M5-0.8mm Nut	1
138	3962-138	5mm Flat Washer	1
139	3962-139	Cord Clamper	1
140	3962-140	M5-0.8x12mm Socket Head Bolt	1
141	3962-141	M10-1.5mm Hex Nut	1
142	3962-142	Led Light	1
143	3962-143	Knob	2
144	3962-144	6mm Flat Washer	2
145	3962-145	Fence Support Cap	2
146	3962-146	Fence Support	1
147	3962-147	Guide Plate	1
148	3962-148	M6-1.0x55mm Carriage Bolt	2
149	3962-149	Fence	1

No.	Part No.	Description	Qty.
150	3962-150	Guide Rail Cap	1
151	3962-151	Guide Rail	1
152	3962-152	Guide Rail Cap	1
153	3962-153	2.9-1.1x9.5mm Thread Forming Screw	2
154	3962-154	Pointer	1
155	3962-155	Sliding Base	1
156	3962-156	M5-0.8mm Square Nut	3
157	3962-157	Spacer	1
158	3962-158	M5-0.8x10mm Socket Head Bolt	2
159	3962-159	Spring Plate	1
160	3962-160	M5-0.8x8mm Pan Head Screw	1
161	3962-161	Lock Block	1
162	3962-162	Lock Handle	1
163	3962-163	Shaft	1
164	3962-164	M8-1.25mm Hex Nut	16
165	3962-165	8mm Flat Washer	16
166	3962-166	M8-1.25x16mm Carriage Bolt	16
167	3962-167	Leg	4
168	3962-168	Long Brace	2
169	3962-169	Short Brace	2
170	3962-170	Foot	4
171	3962-171	10-13mm Spanner Wrench	1
172	3962-172	6mm Hex Wrench	1
173	3962-173	5mm Hex Wrench	1
174	3962-174	4mm Hex Wrench	1
175	3962-175	3mm Hex Wrench	1
176	3962-176	M8-1.25mm Lock Nut	2
177	3962-177	5mm Lock Washer	1



# WARRANTY

WEN Products is committed to building tools that are dependable for years. Our warranties are consistent with this commitment and our dedication to quality.

## LIMITED WARRANTY OF WEN PRODUCTS FOR HOME USE

GREAT LAKES TECHNOLOGIES, LLC (“Seller”) warrants to the original purchaser only, that all WEN consumer power tools will be free from defects in material or workmanship during personal use for a period of two (2) years from date of purchase or 500 hours of use; whichever comes first. Ninety days for all WEN products if the tool is used for professional or commercial use. Purchaser has 30 days from the date of purchase to report missing or damaged parts.

SELLER’S SOLE OBLIGATION AND YOUR EXCLUSIVE REMEDY under this Limited Warranty and, to the extent permitted by law, any warranty or condition implied by law, shall be the replacement of parts, without charge, which are defective in material or workmanship and which have not been subjected to misuse, alteration, careless handling, misrepair, abuse, neglect, normal wear and tear, improper maintenance, or other conditions adversely affecting the Product or the component of the Product, whether by accident or intentionally, by persons other than Seller. To make a claim under this Limited Warranty, you must make sure to keep a copy of your proof of purchase that clearly defines the Date of Purchase (month and year) and the Place of Purchase. Place of Purchase must be a direct vendor of Great Lakes Technologies, LLC. Purchasing through third party vendors, including but not limited to garage sales, pawn shops, resale shops, or any other secondhand merchant, voids the warranty included with this product. Contact [tech-support@wenproducts.com](mailto:tech-support@wenproducts.com) or 1-800-232-1195 with the following information to make arrangements: your shipping address, phone number, serial number, required part numbers, and proof of purchase. Damaged or defective parts and products may need to be sent to WEN before the replacements can be shipped out.

Upon the confirmation of a WEN representative, your product may qualify for repairs and service work. When returning a product for warranty service, the shipping charges must be prepaid by the purchaser. The product must be shipped in its original container (or an equivalent), properly packed to withstand the hazards of shipment. The product must be fully insured with a copy of the proof of purchase enclosed. There must also be a description of the problem in order to help our repairs department diagnose and fix the issue. Repairs will be made and the product will be returned and shipped back to the purchaser at no charge for addresses within the contiguous United States.

THIS LIMITED WARRANTY DOES NOT APPLY TO ITEMS THAT WEAR OUT FROM REGULAR USAGE OVER TIME, INCLUDING BELTS, BRUSHES, BLADES, BATTERIES, ETC. ANY IMPLIED WARRANTIES SHALL BE LIMITED IN DURATION TO TWO (2) YEARS FROM DATE OF PURCHASE. SOME STATES IN THE U.S. AND SOME CANADIAN PROVINCES DO NOT ALLOW LIMITATIONS ON HOW LONG AN IMPLIED WARRANTY LASTS, SO THE ABOVE LIMITATION MAY NOT APPLY TO YOU.

IN NO EVENT SHALL SELLER BE LIABLE FOR ANY INCIDENTAL OR CONSEQUENTIAL DAMAGES (INCLUDING BUT NOT LIMITED TO LIABILITY FOR LOSS OF PROFITS) ARISING FROM THE SALE OR USE OF THIS PRODUCT. SOME STATES IN THE U.S. AND SOME CANADIAN PROVINCES DO NOT ALLOW THE EXCLUSION OR LIMITATION OF INCIDENTAL OR CONSEQUENTIAL DAMAGES, SO THE ABOVE LIMITATION OR EXCLUSION MAY NOT APPLY TO YOU.

THIS LIMITED WARRANTY GIVES YOU SPECIFIC LEGAL RIGHTS, AND YOU MAY ALSO HAVE OTHER RIGHTS WHICH VARY FROM STATE TO STATE IN THE U.S., PROVINCE TO PROVINCE IN CANADA AND FROM COUNTRY TO COUNTRY.

THIS LIMITED WARRANTY APPLIES ONLY TO ITEMS SOLD WITHIN THE UNITED STATES OF AMERICA, CANADA AND THE COMMONWEALTH OF PUERTO RICO. FOR WARRANTY COVERAGE WITHIN OTHER COUNTRIES, CONTACT THE WEN CUSTOMER SUPPORT LINE. FOR WARRANTY PARTS OR PRODUCTS REPAIRED UNDER WARRANTY SHIPPING TO ADDRESSES OUTSIDE OF THE CONTIGUOUS UNITED STATES, ADDITIONAL SHIPPING CHARGES MAY APPLY.





**THANKS FOR  
REMEMBERING**

