



*Elizabethan
Classics*

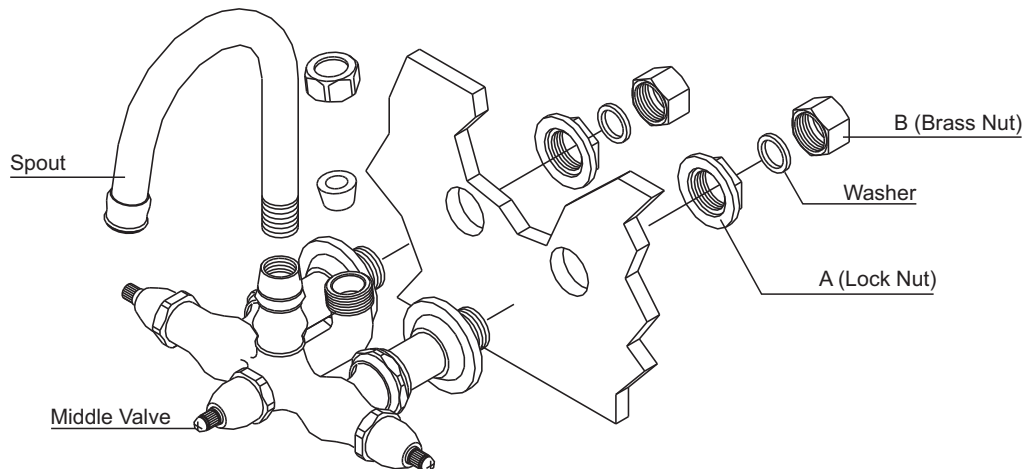
Assembly Instructions for TW14-16

CAUTION: DO NOT OVER TIGHTEN NUTS AND SCREWS - THIS CAN LEAD TO STRIPPING OR CRACKING AND WILL VOID YOUR WARRANTY.

NOTE: TO BE INSTALLED ONLY BY QUALIFIED, LICENSED PLUMBER

NOTE: USE TEFLON TAPE ON ALL THREADED CONNECTIONS

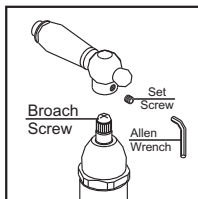
1. Shut off the water supply valves before installation.
2. Screw the spout onto faucet.
3. Insert the faucet through the two holes in the tub. Screw the lock nuts (A) onto the threaded shanks and tighten.
4. Slip the washers and brass nuts (B) onto the supply tubes. Insert the supply tubes into the shanks and tighten the brass nuts (B). **CAUTION: DO NOT OVERTIGHTEN.**
5. Install handles. After installation is completed, turn on the water supply valves and allow both hot and cold water to run at least one minute each. While water is running, check for leaks, especially at hook-ups to supply lines. Tightening nuts slightly will stop any minor leaks.



Assembly Instructions for Handles

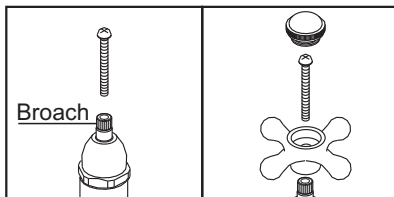
Lever Handles:

1. Be sure that the broach screws are tightened before installing the lever handles.
2. Install the lever handles on the broaches and tighten the set screws using the allen wrench provided.



Cross Handles:

1. Remove the screws from the top of the broaches.
2. Remove the insert caps from the cross handles.
3. Put the cross handles on the broaches and then tighten the screws. Insert the caps on the cross handles.



Rev.D