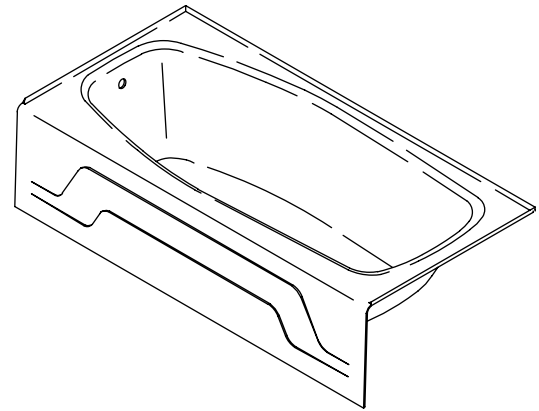


Features

- Cast iron with Safeguard® finish
- ADA compliant when installed per Section 607 of the Act
- Left or right drain
- Integral apron
- For above the floor roughing-in
- Raised bath bottom allows use of a horizontal drain from drain to wall
- 60" (152.4 cm) x 32" (81.3 cm) x 16-1/4" (41.3 cm)

BATH
K-519
ALSO K-520

ADA



Codes/Standards Applicable

Specified model meets or exceeds the following:

- ADA
- ASME A112.19.1
- ICC/ANSI A117.1
- IAPMO/UPC
- CSA International

Colors/Finishes

- 0: White
- Other: Refer to Price Book for additional colors/finishes

Accessories

- 0: White
- CP: Polished Chrome
- PB: Vibrant® Polished Brass
- Other: Refer to Price Book for additional colors/finishes

Specified Model

Model	Description	Colors/Finishes	
K-519	Bath – left drain	<input type="checkbox"/> 0	<input type="checkbox"/> Other _____
K-520	Bath – right drain	<input type="checkbox"/> 0	<input type="checkbox"/> Other _____

Recommended Accessories			
K-7160-AF	Clearflo adjustable pop-up drain – above or through-the-floor installation	<input type="checkbox"/> CP	<input type="checkbox"/> PB <input type="checkbox"/> Other _____

Optional Accessories			
K-1491	Pillow	<input type="checkbox"/> 0	<input type="checkbox"/> Other _____
K-1601	Footstop	<input type="checkbox"/> 0	<input type="checkbox"/> Other _____

Product Specification

The bath shall be made of cast iron with a Safeguard finish. Bath shall be 60" (152.4 cm) in length, 32" (81.3 cm) in width, and 16-1/4" (41.3 cm) in height. Bath shall feature an integral apron. Bath shall feature a raised bath bottom, which allows the use of a horizontal drain from the outlet to the wall. Bath shall be available with shall a left or right drain. Bath shall be for above the floor roughing-in. Bath shall be ADA compliant when installed per Section 607 of the Act. The bath shall be Kohler Model K-____-____.

DYNAMETRIC®

Technical Information

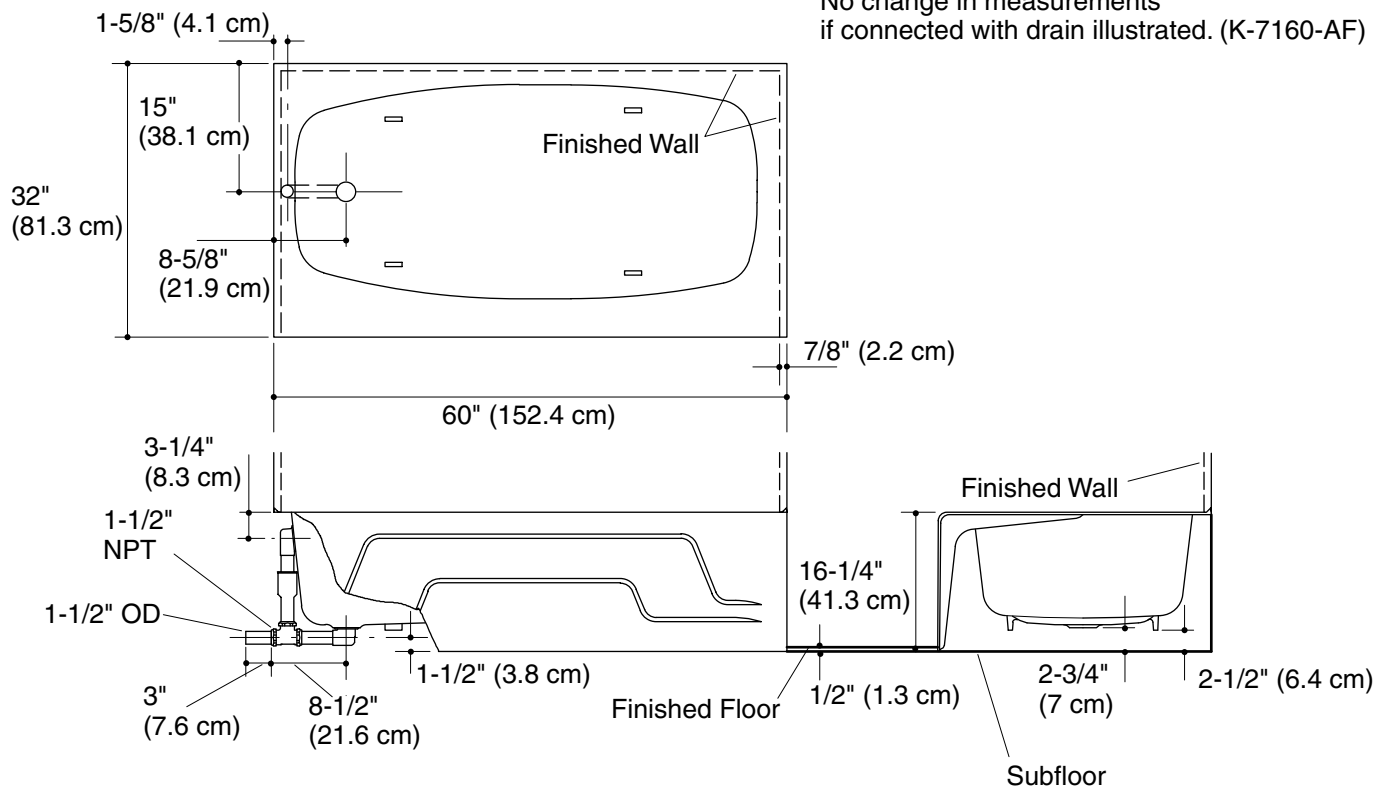
Fixture*:	
Basin area:	
Bathing well	41" (104.1 cm) x 22" (55.9 cm)
Top area	54" (137.2 cm) x 25" (63.5 cm)
Weight	345 lbs (156.5 kg)
To overflow:	
Water depth	8-5/8" (21.9 cm)
Capacity	35 gal (132.5 L)
* Approximate measurements for comparison only.	

Installation Notes

Install this product according to the installation guide.

NOTICE: By design, the apron is not perpendicular. The bottom edge of the apron angles out approximately 3/4" (1.9 cm) from the top of the rim.

Floor support under bath must provide for a minimum of 50 lbs/square foot (243 kg/square meter) loading.



Product Diagram