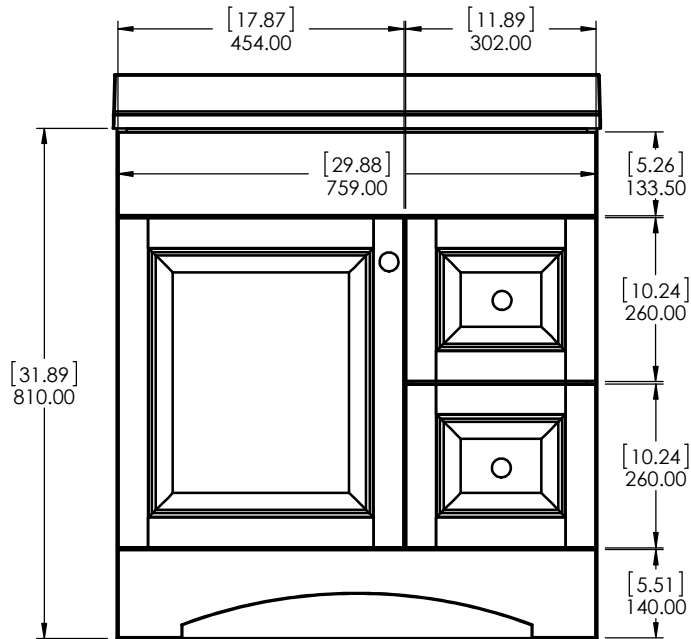
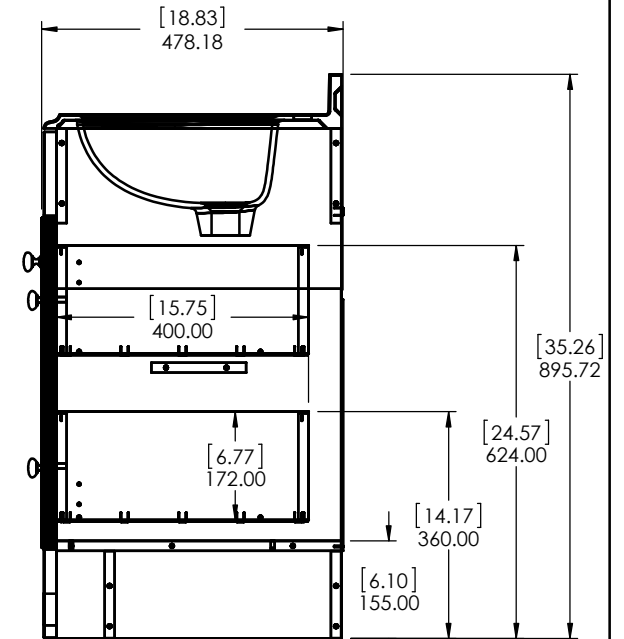


BACK VIEW



FRONT VIEW



RIGHT VIEW



TITLE: SU30P2		
PART NO: SU30P2-AU	PAGE 1 OF 1	REV: 0