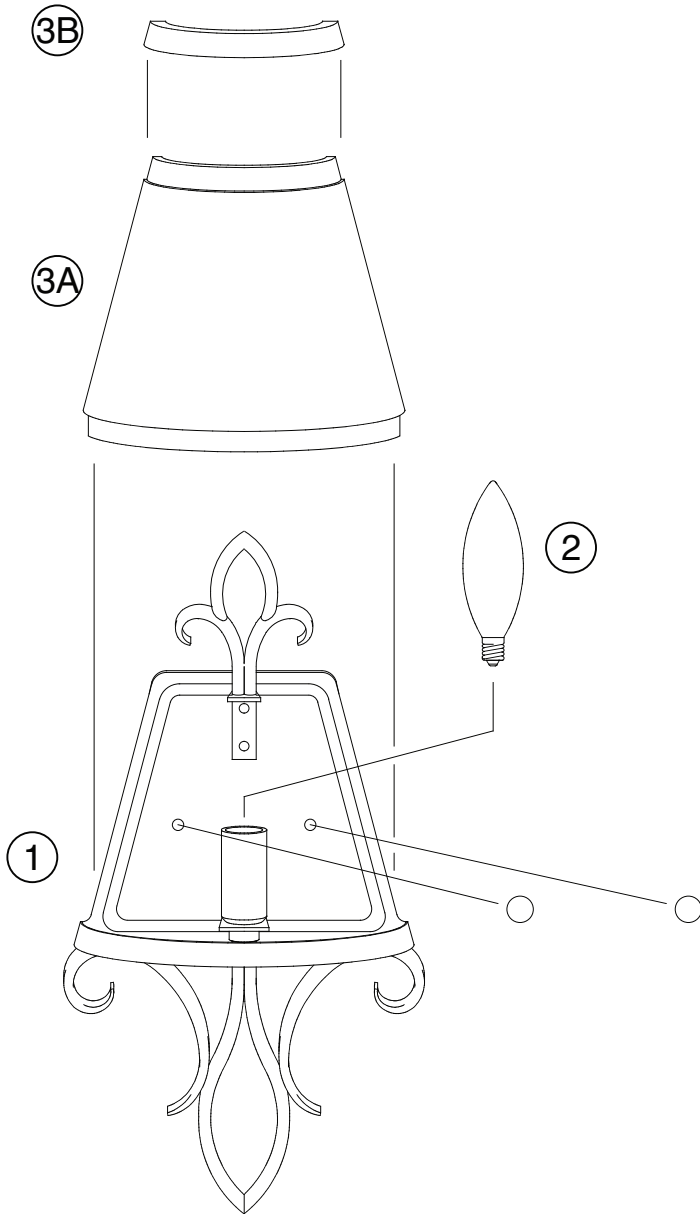


Assembly Instructions For

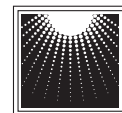
WB1486

 (E) 10/09

IMPORTANT
TURN OFF THE POWER AT THE MAIN FUSE OR
CIRCUIT BREAKER BOX
BEFORE STARTING INSTALLATION

Carefully unpack and identify all parts before assembly.
Bulbs not included.

1. Follow enclosed supplement installation instructions for electrical and fixture installation onto house outlet box. If you do not have an outlet box at desired location to attach the fixture then hire a qualified electrician to create one.
2. Install bulb (type-B, candelabra base, 60 Watt maximum / not included) by screwing into socket.
3. A. Install glass shade by placing on top of ring.
B. Install upper trim ring by placing on top of glass shade.



MURRAY
FEISS

GENERATION
BRANDS™