



**COUNT AND INSPECT ALL PARTS CONFIRMING ALL
WERE RECEIVED AND ARE IN GOOD CONDITION.
FOR ANY REPLACEMENT PARTS OR HARDWARE,
AND/OR HELP WITH ASSEMBLY;**

CONTACT US AT:

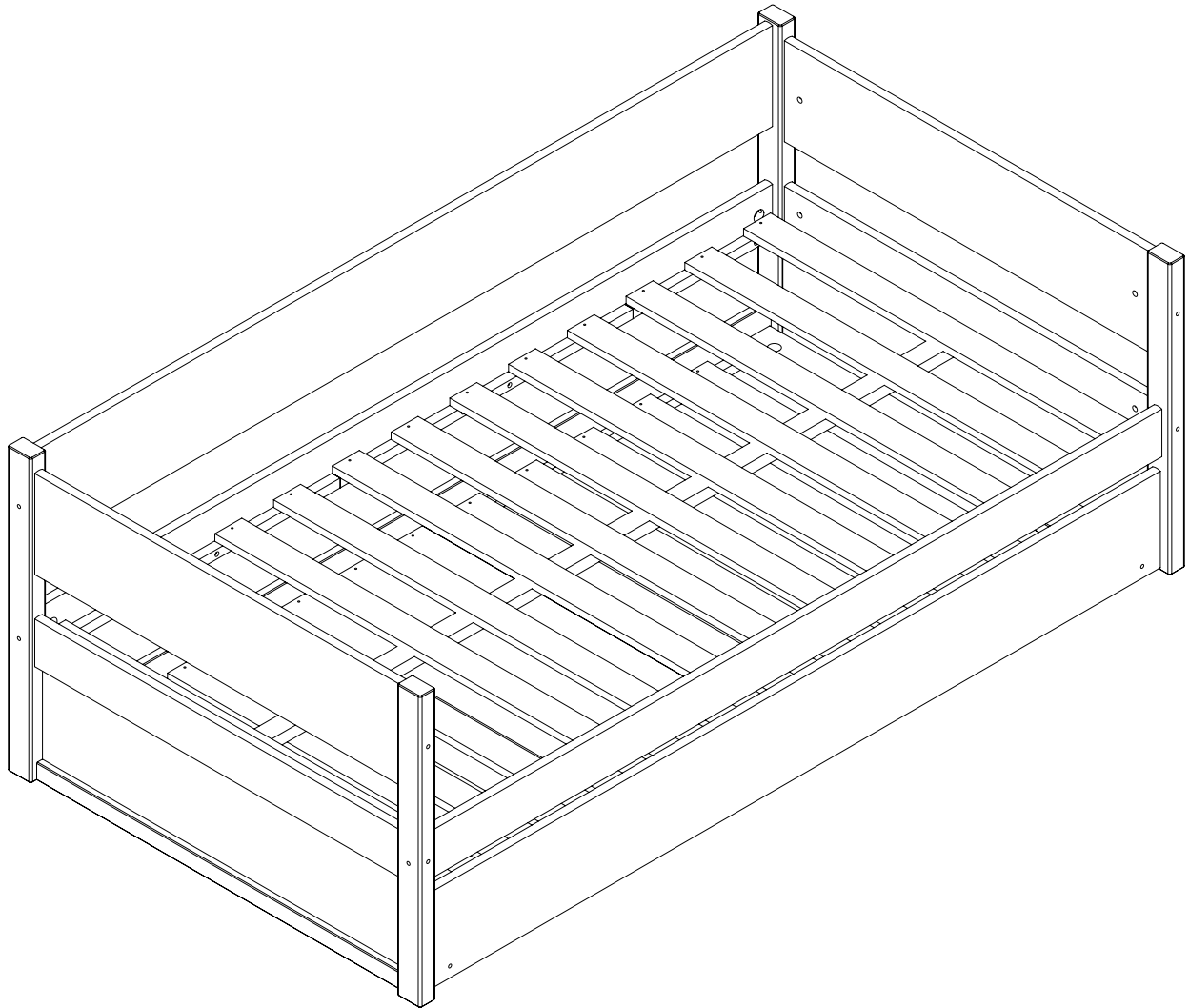
info@camaflexi.com

OR CALL US AT:

(347)844-9307

**PLEASE HAVE THE MODEL NUMBER AND/OR PART
NUMBER NEEDED AS SHOWN IN THE PACKAGING OR
ASSEMBLY MANUAL**

Tribeca DayBed - Twin Size

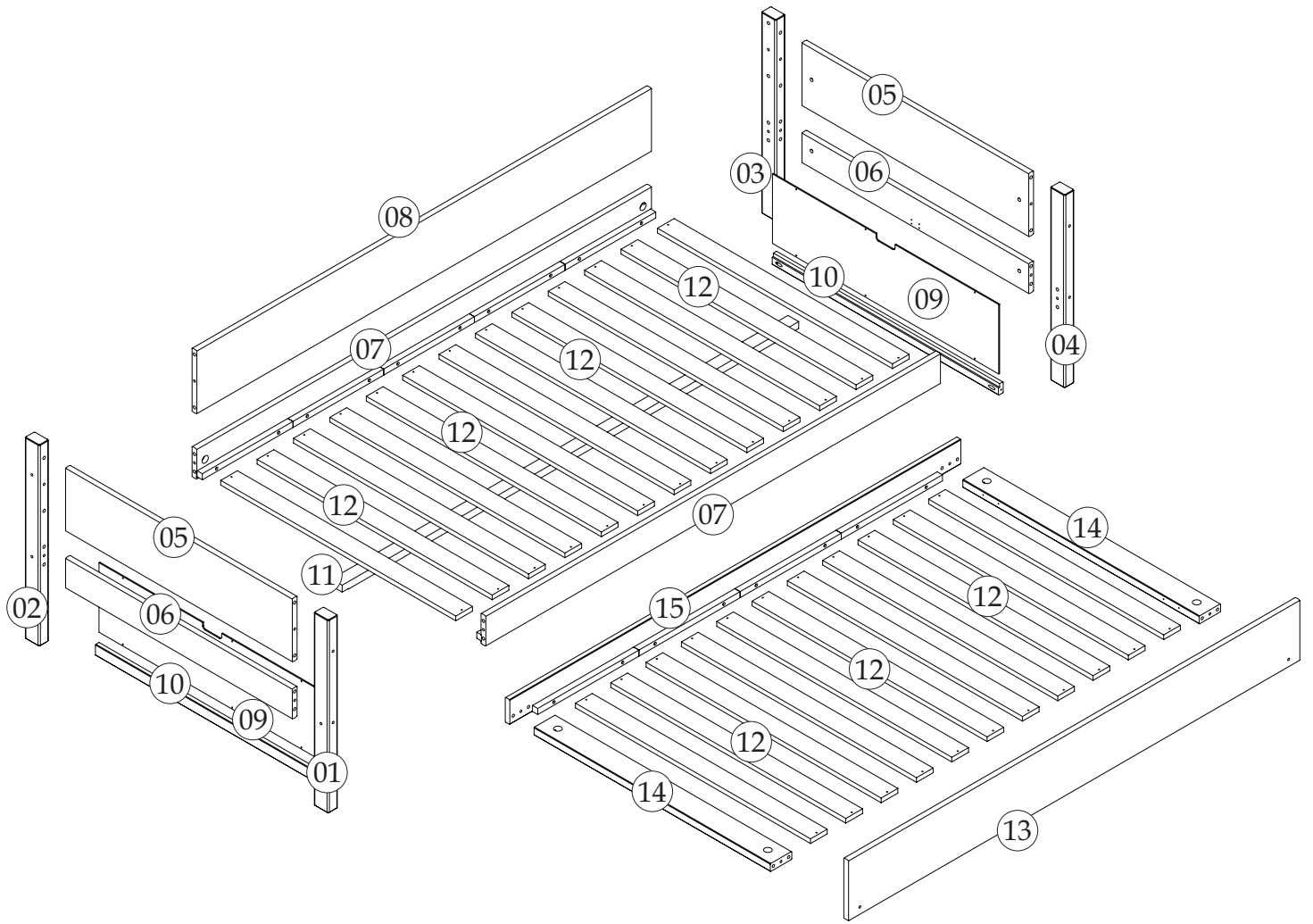


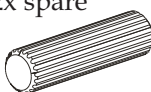
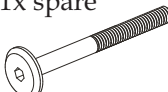


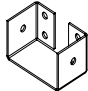

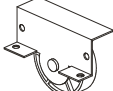
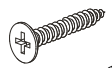


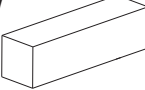
ATTENTION

- 1 - Read and observe carefully all the assembly instructions before beginning assembly.
- 2 - The assembly of the product must be done on a clean and flat surface. We suggest to use the packaging to cover the floor to avoid damages.
- 3 - The screws must be tightened periodically.
- 4 - Avoid contact with sharp objects.
- 5 - Avoid banging pieces together.

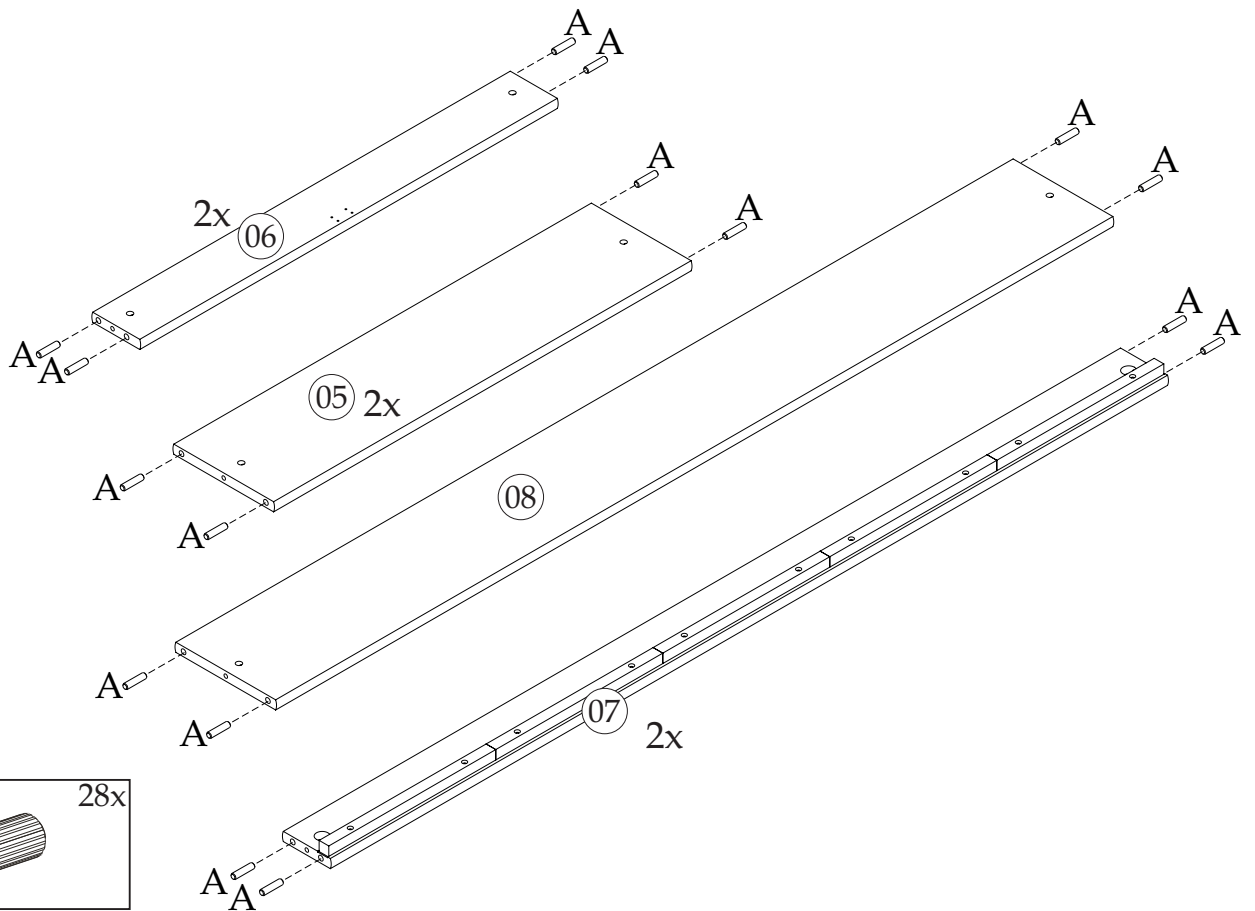


Parts and hardware list for assembly.
Please confirm all parts available before assembly.

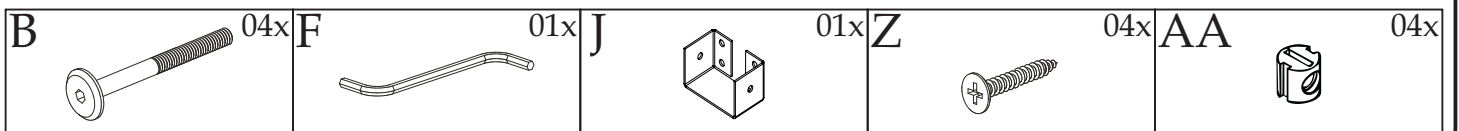
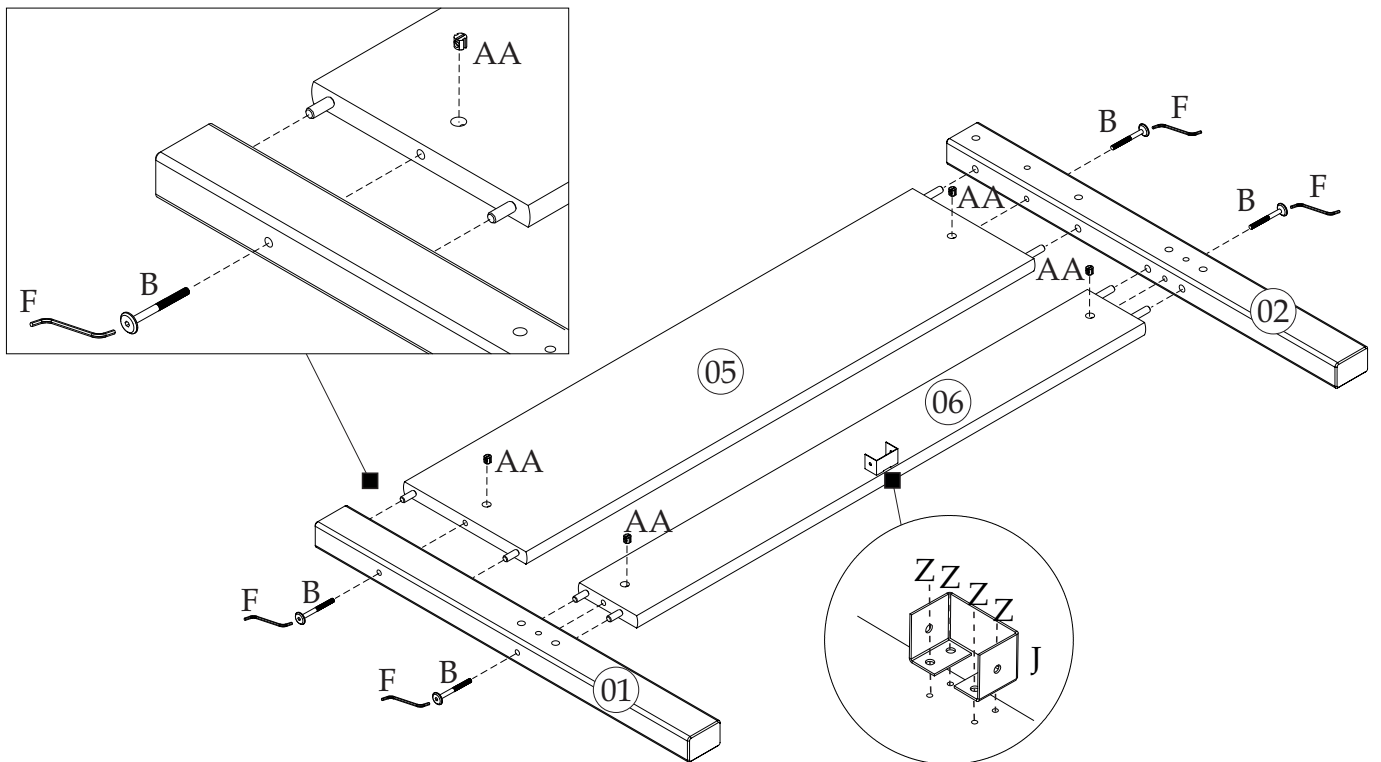


A +2x spare  $\varnothing 3/8" \times 1 9/16"$ 36x	B +1x spare  $\varnothing 1/4" \times 4 1/4"$ 08x	F +1x spare  $1/4" \times 4 1/4"$ 01x	I +2x spare  $\varnothing 1/8" \times 1 3/8"$ 50x
J  02x	K +1x spare  $1/4" \times 1 11/8"$ 10x	Y  2" 04x	Z +2x spare  $\varnothing 1/8" \times 5/8"$ 34x
AA +1x spare  $1/4" \times 1/2"$ 10x	BC +1x spare  $1/4"$ 08x	BW  $3 1/4"$ 02x	

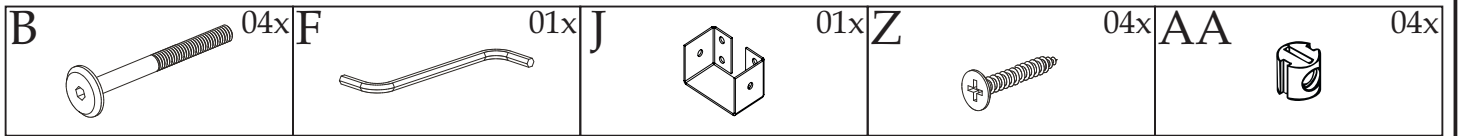
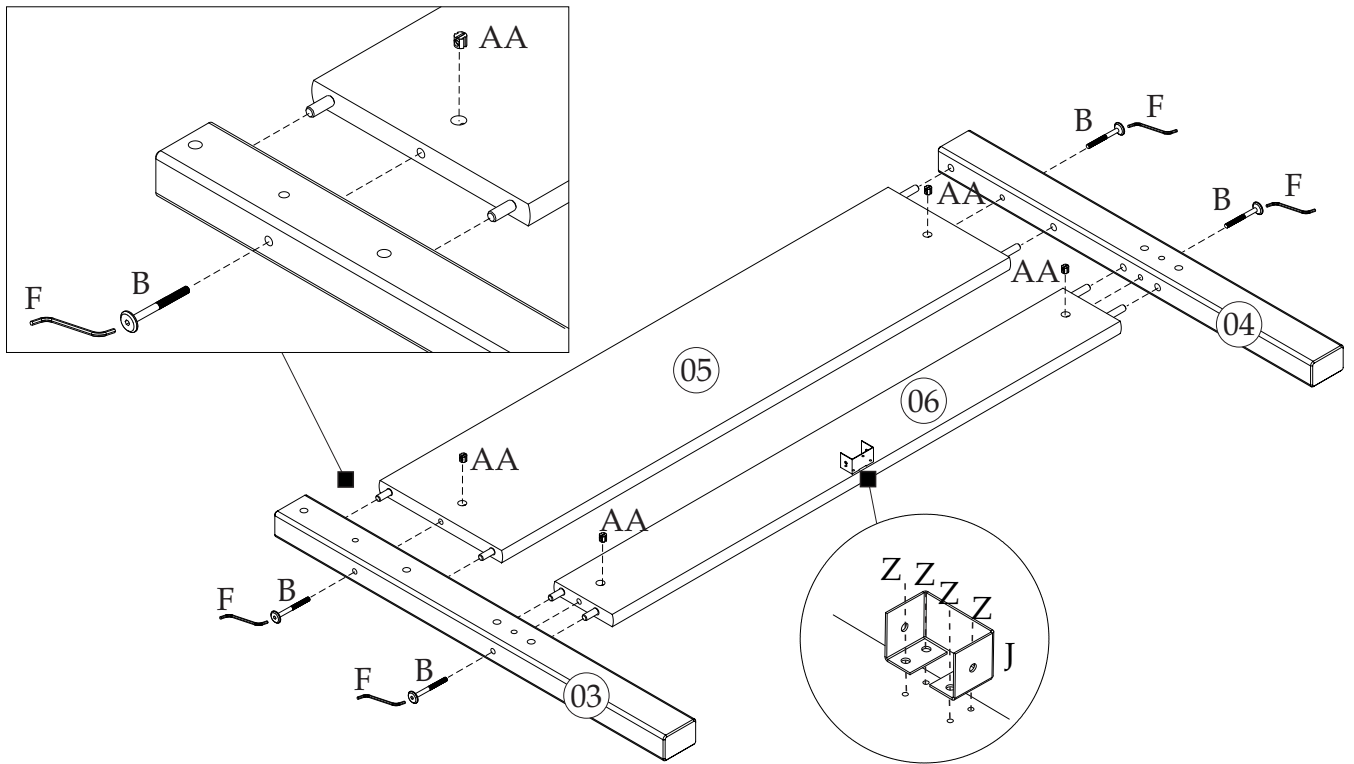
Step - 01



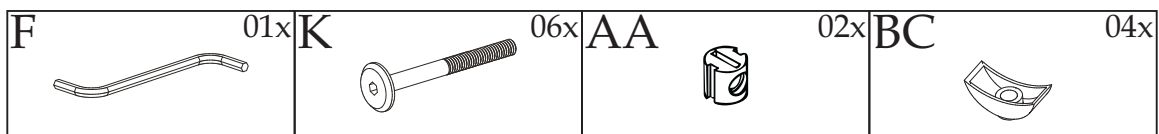
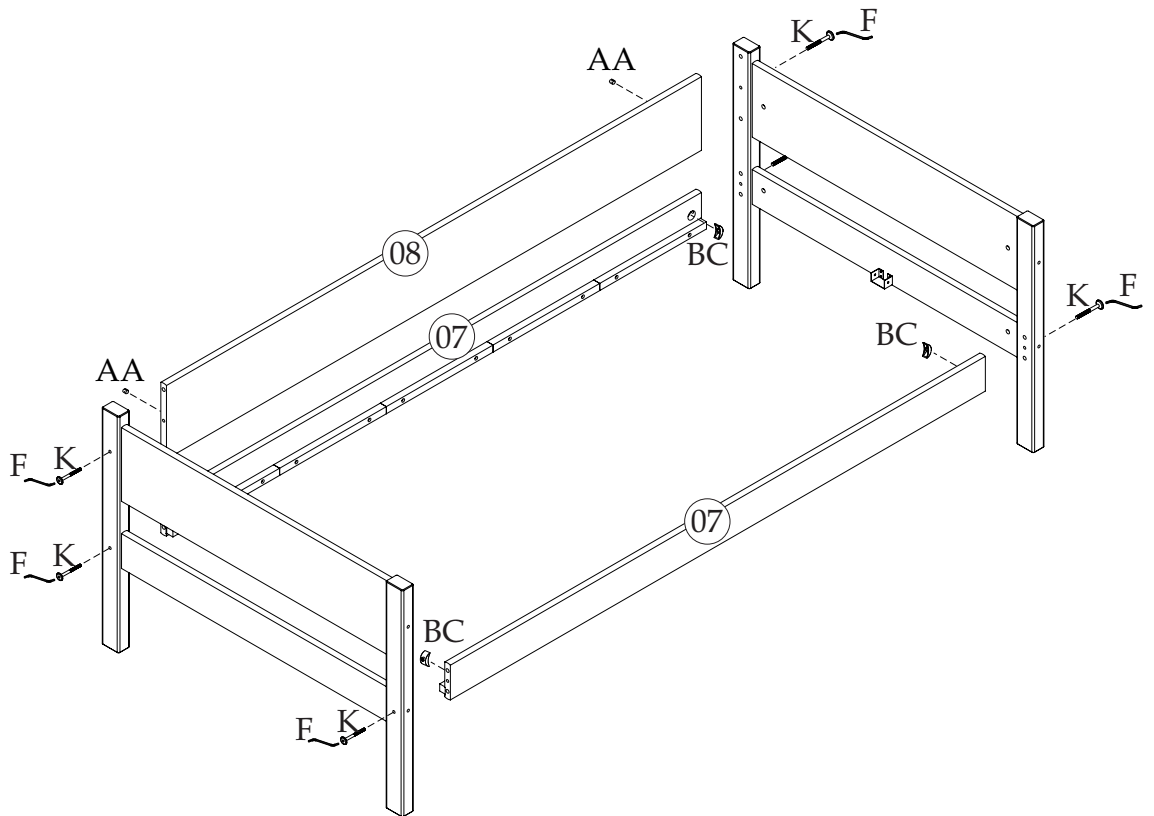
Step - 02



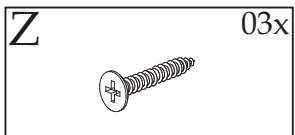
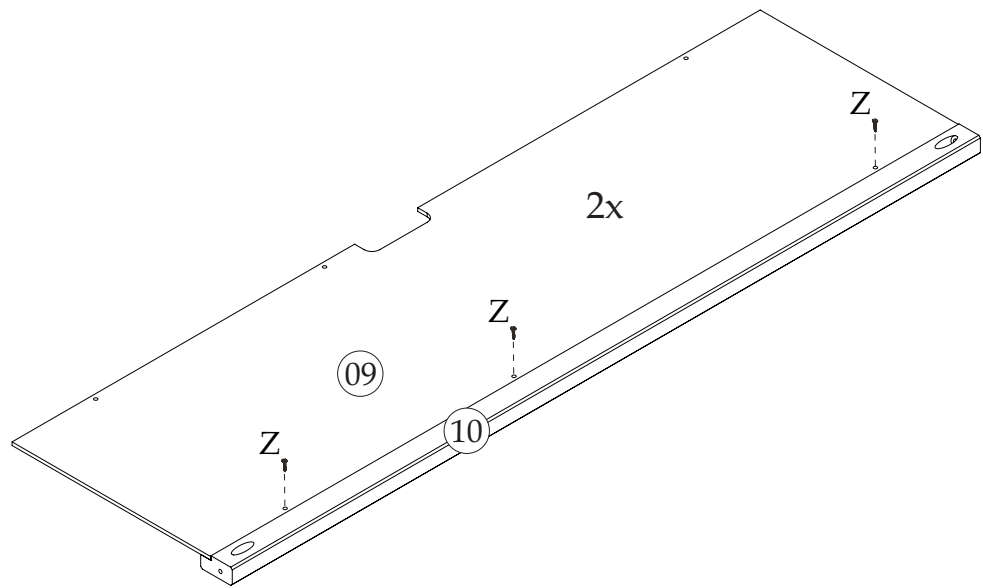
Step - 03



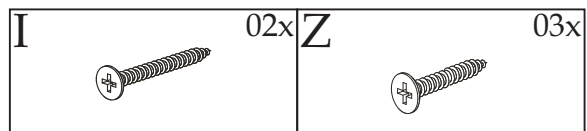
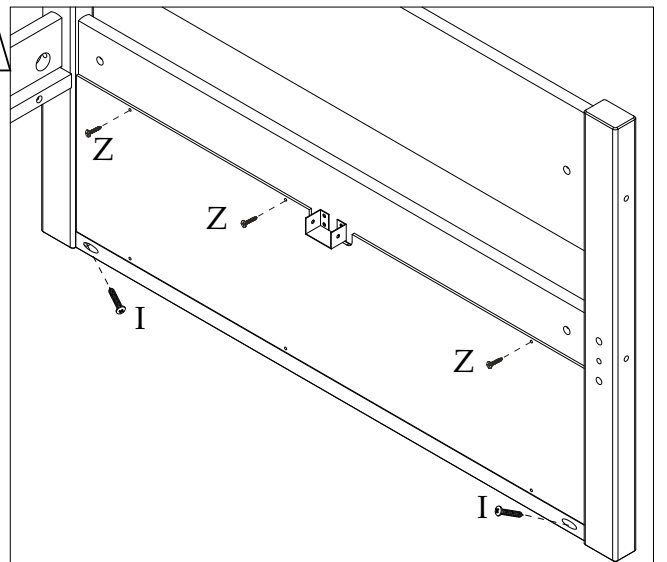
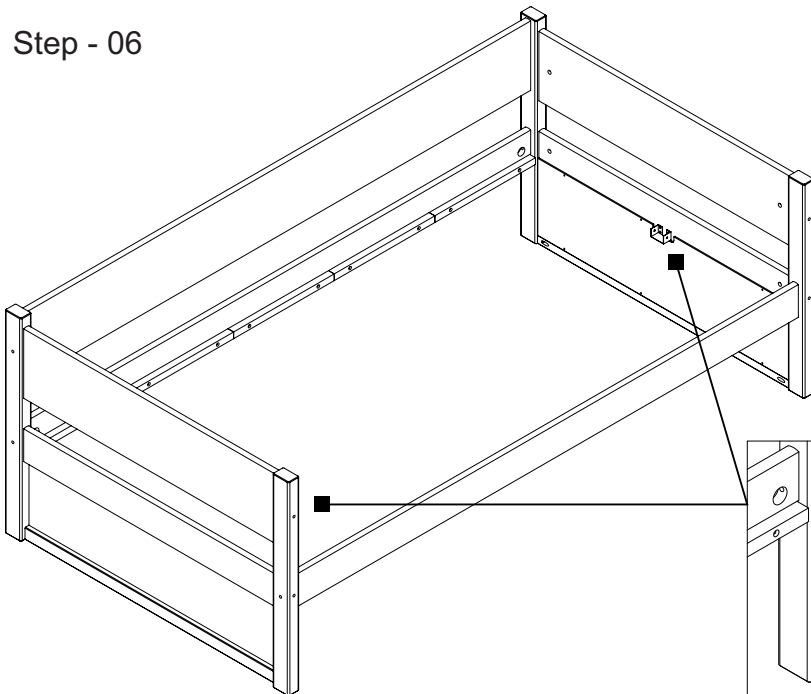
Step - 04



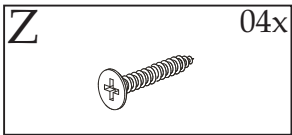
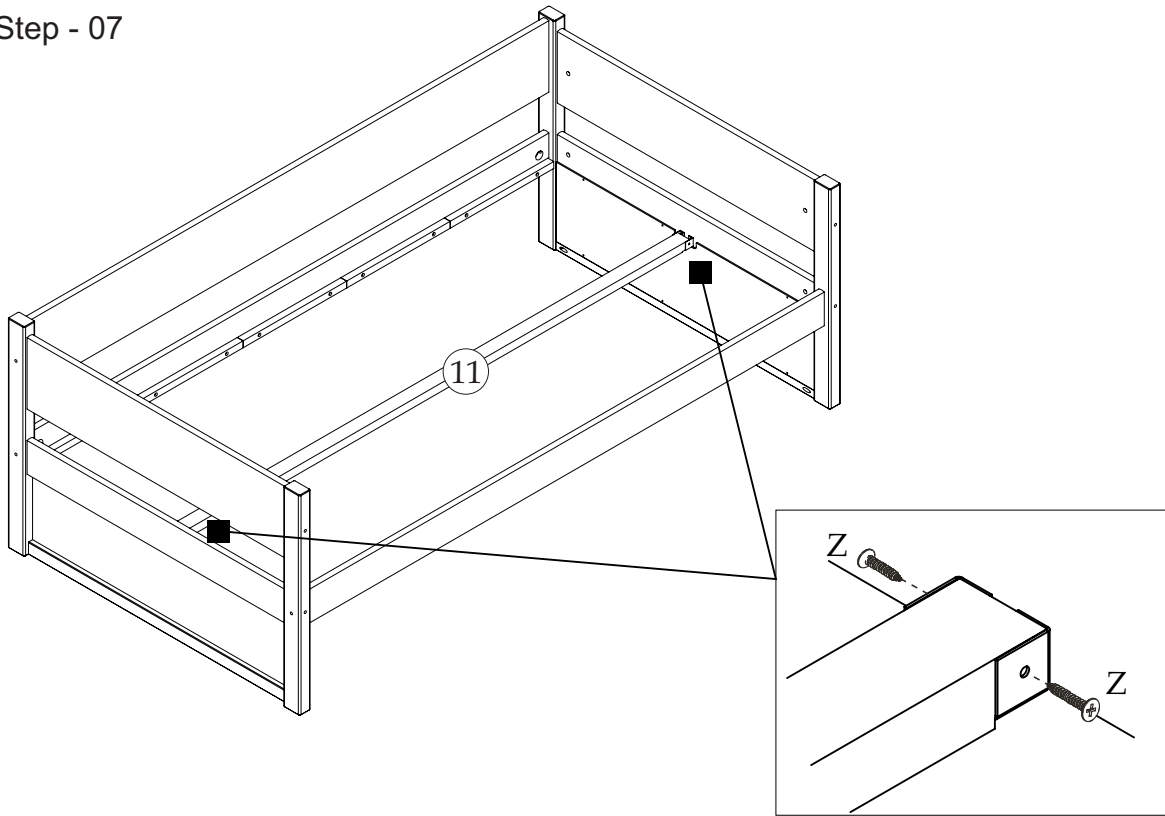
Step - 05



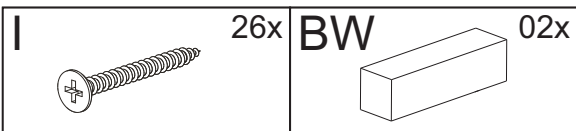
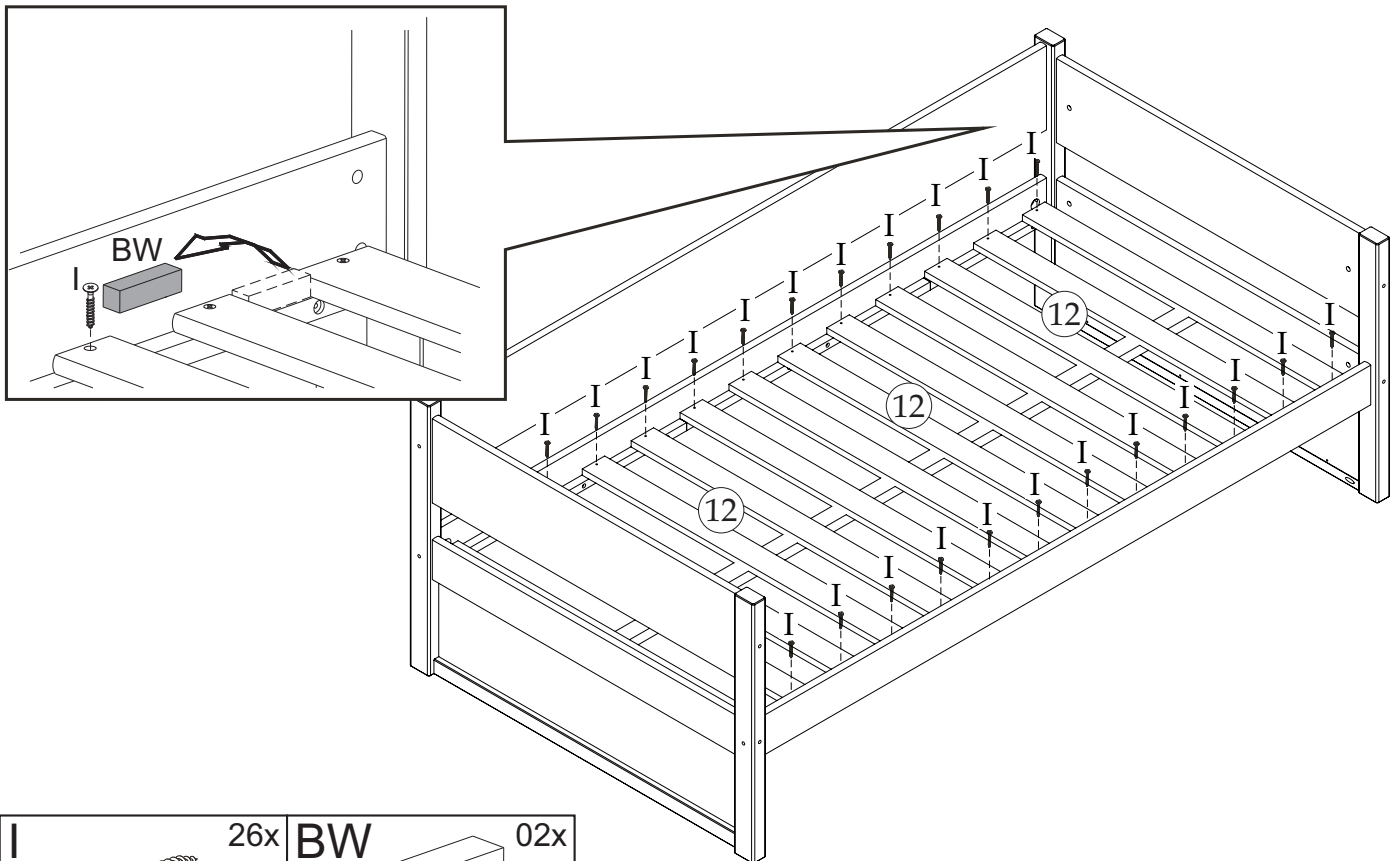
Step - 06



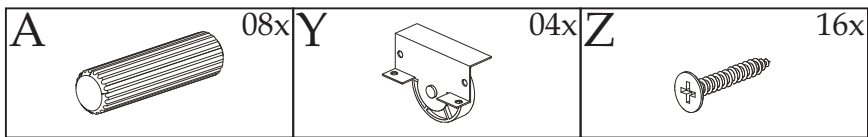
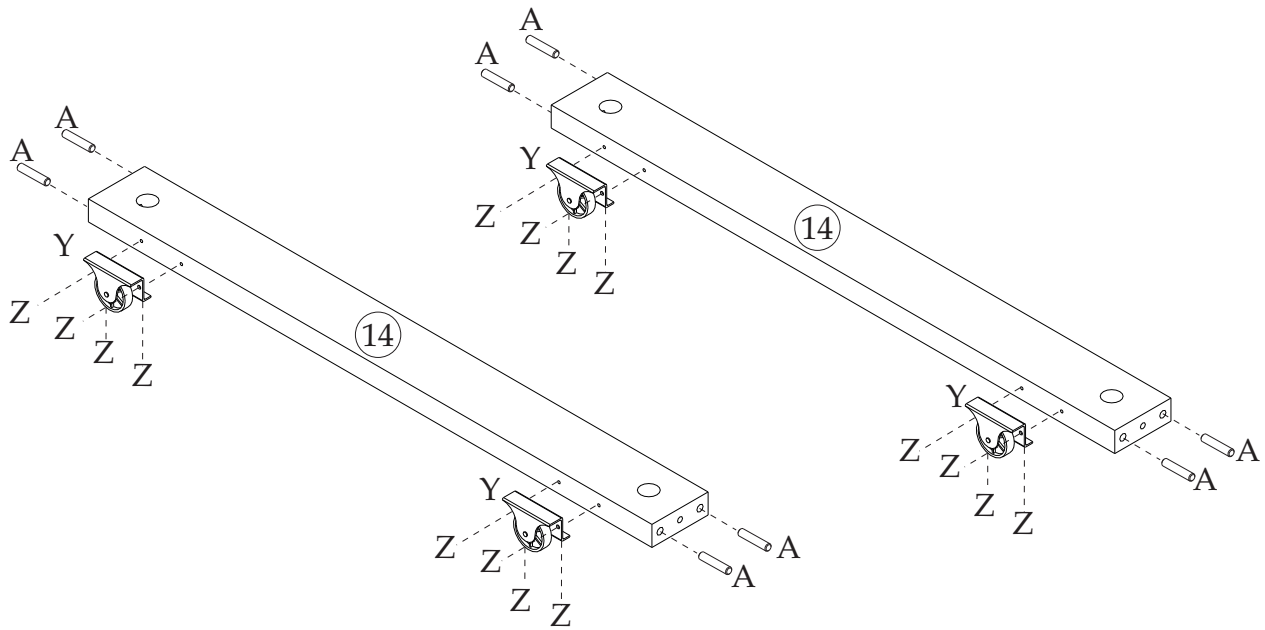
Step - 07



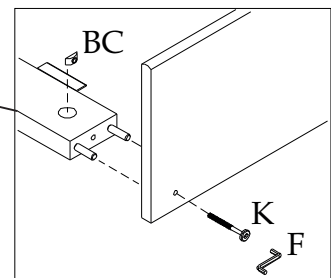
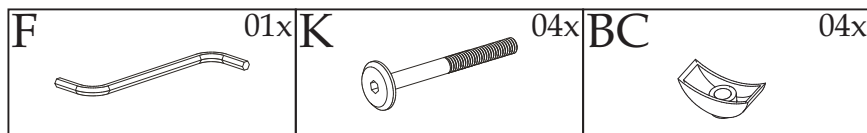
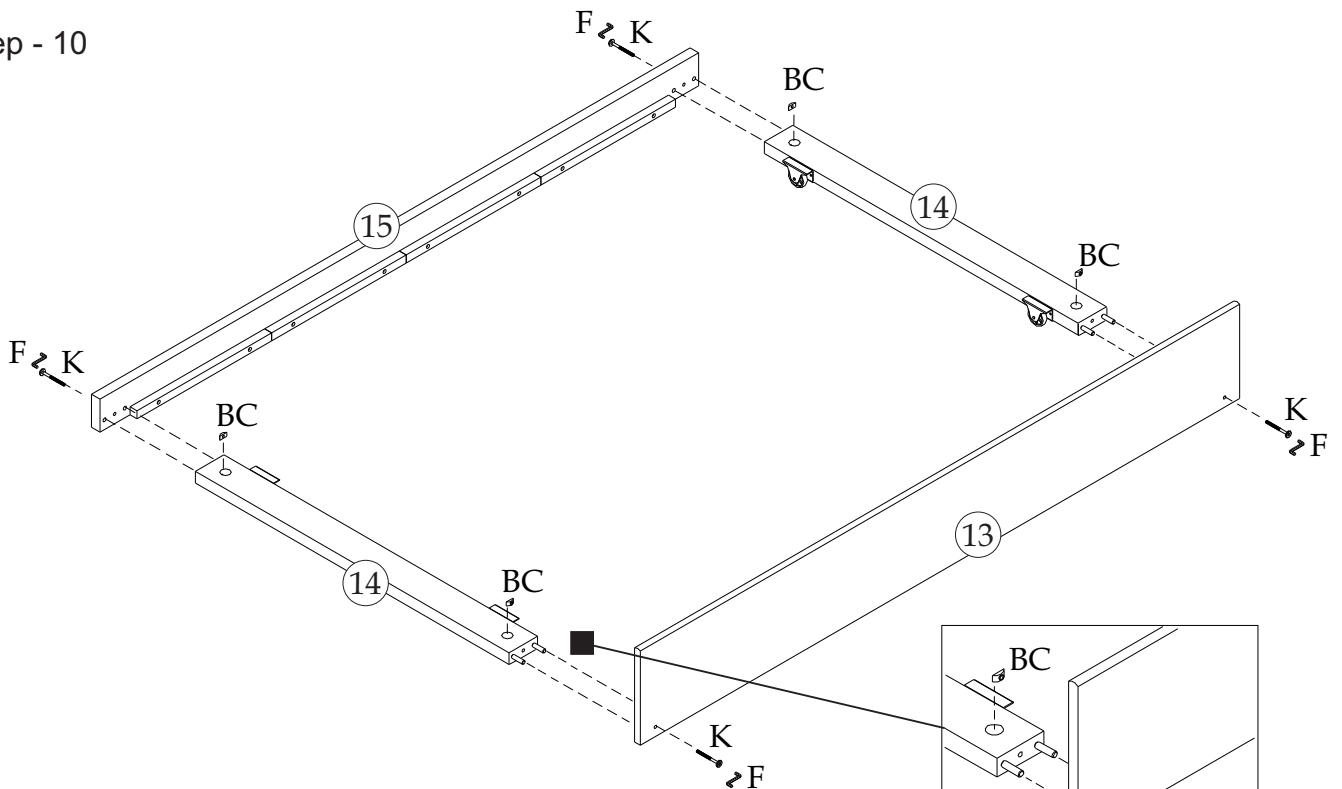
Step - 08



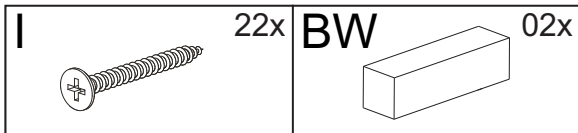
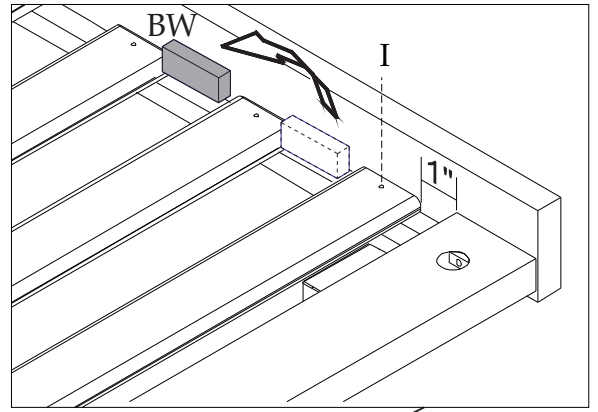
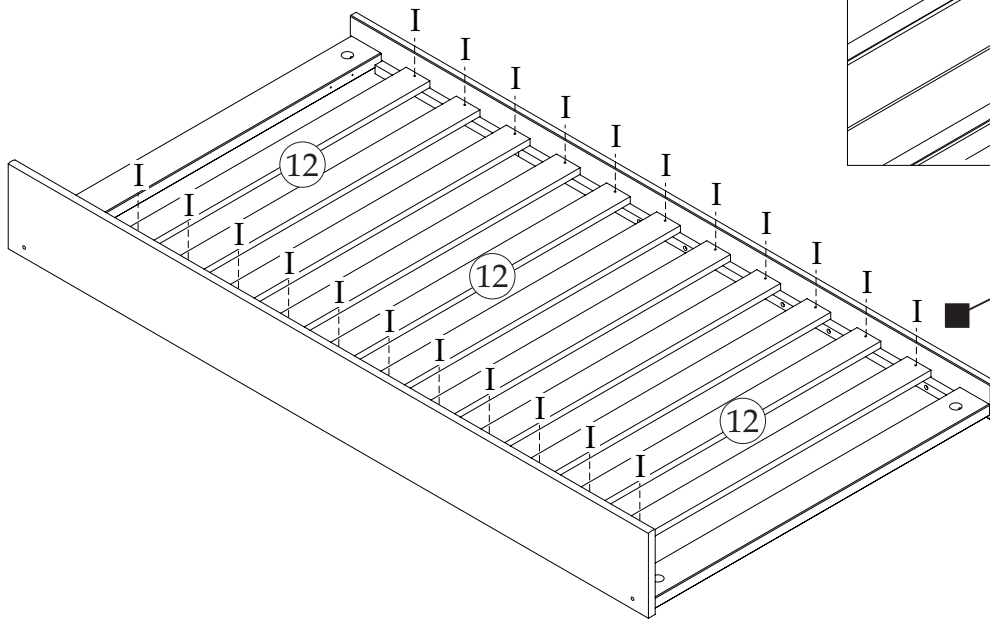
Step - 09



Step - 10



Step - 11



Step - 12

