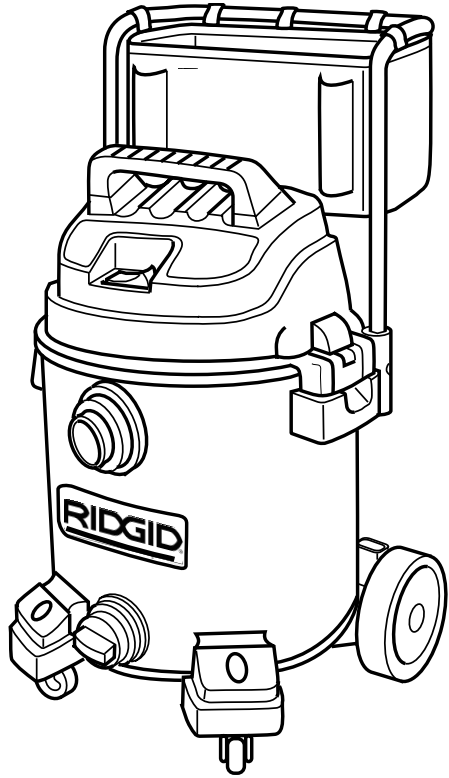


OWNER'S MANUAL

16 U.S. GALLON / 60 Liter
PROFESSIONAL WET/DRY VAC

WD19560
WD1956M1



FOR QUESTIONS OR INFORMATION CONTACT US AT
CALL 1-800-4-RIDGID (1-800-474-3443) OR
www.RIDGIDvac.com

▲ WARNING:

To reduce the risk of injury, the user must read and understand the owner's manual before using this product.

Thank you for buying a RIDGID product.

- Español - página 21
- Français - page 41

SAVE THIS MANUAL FOR FUTURE REFERENCE

Table of Contents

Section	Page	Section	Page
Introduction	4	Vacuuming Liquids	11
Unpacking and Checking		Emptying the Drum	11
Carton Contents	4	Blowing Feature	11
Removing/Installing The Metal Handle	6	Accessory and Hose Storage	13
Drum/Caddy Assembly	8	Maintenance	14
Wet/Dry Vac Assembly	9	Repair Parts	16
Operation	10	Warranty	20
Vacuuming Dry Materials	10		

IMPORTANT SAFETY INSTRUCTIONS

Safety is a combination of using common sense, staying alert, and knowing how your Wet/Dry Vacuum Cleaner ("Vac") works.

Safety Signal Words

▲ DANGER: Indicates a hazardous situation which, if not avoided, **will** result in death or serious injury.

▲ WARNING: Indicates a hazardous situation which, if not avoided, **could** result in death or serious injury.

▲ CAUTION: Indicates a hazardous situation which, if not avoided, **could** result in minor or moderate injury.

When using your Vac, always follow basic safety precautions including the following:


▲ WARNING

- To reduce the risk of fire, electric shock, or injury:

- Read and understand this manual and all labels on the Vac before operating.
- Use only as described in this manual.
- Do not leave Vac running while unattended - you may fail to notice important signs indicating abnormal operation such as loss of suction, debris/liquid exiting exhaust, or abnormal motor noises. Immediately stop using Vac if you notice these signs.
- Do not leave Vac when plugged in. Unplug from outlet when not in use and before servicing.
- Sparks inside the motor can ignite flammable vapors or dust. To reduce the risk of fire or explosion, do not use

near combustible liquids, gases, or dusts, such as gasoline or other fuels, lighter fluid, cleaners, oil-based paints, natural gas, coal dust, magnesium dust, grain dust, aluminum dust, or gun powder.

- Do not vacuum anything that is burning or smoking, such as cigarettes, matches, or hot ashes.
- Do not vacuum drywall dust, cold fireplace ash, or other fine dusts with standard filter. These may pass through the filter and be exhausted back into the air. Use a fine dust filter instead.
- To reduce the risk of inhaling toxic vapors, do not vacuum or use near toxic or hazardous materials.
- To reduce the risk of electric shock, do not expose to rain or allow liquid to enter motor compartment. Store indoors.
- This Wet/Dry Vac is not intended for use by persons (including children) with reduced physical, sensory, or mental capabilities, or lack of experience and knowledge, unless they have been given supervision or instruction concerning use of the appliance by a person responsible for their safety.
- Do not allow to be used as a toy. Close attention is necessary when used by or near children.
- Do not use with a torn filter or without filter installed except when vacuuming liquids as described in this manual. Dry debris ingested by the impeller may damage the motor or be exhausted into the air.

- Turn off Vac before unplugging.
 - To reduce the risk of injury from accidental starting, unplug power cord before changing or cleaning filter.
 - Do not unplug by pulling on cord. To unplug, grasp the plug, not the cord.
 - Do not use with damaged cord, plug or other parts. If your Vac is not working as it should, has missing parts, has been dropped, damaged, left outdoors, or dropped into water, call customer service.
 - Do not pull or carry by cord, use cord as handle, close a door on cord, or pull cord around sharp edges or corners. Do not run Vac over cord. Keep cord away from heated surfaces.
 - Do not handle plug, switch, or the Vac with wet hands.
 - Use only extension cords that are rated for outdoor use. Extension cords in poor condition or too small in wire size can pose fire and shock hazards. To reduce the risk of these hazards, be sure the cord is in good condition and that liquid does not contact the connection. Do not use an extension cord with conductors smaller than 16 gauge (AWG) in size. To reduce power loss, use a 14 gauge extension cord if 25 to 50 ft. (8 to 15 m) long and 12 gauge for 50 ft. (15 m) or longer.
 - This Vac is double-insulated, eliminating the need for a separate grounding system. Use only identical replacement parts. Read the instructions for Servicing Double-Insulated Wet/Dry Vacs.
 - Do not put any object into ventilation openings. Do not vacuum with any ventilation openings blocked; keep free of dust, lint, hair or anything that may reduce air flow.
 - Keep hair, loose clothing, fingers, and all parts of body away from openings and moving parts.
 - To reduce the risk of falls, use extra care when cleaning on stairs.
 - To reduce the risk of back injury or falls, do not lift a Vac that is heavy with liquid or debris. Partially empty by scooping debris or draining liquid.
 - To reduce the risk of personal injury or damage to Vac, use only RIDGID recommended accessories.
 - When using as a blower:
 - Direct air discharge only at work area.
 - Do not direct air at bystanders.
 - Keep children away when blowing.
 - Do not use blower for any job except blowing dirt and debris.
 - Do not use as a sprayer.
 - To reduce the risk of eye injury, wear safety eyewear. The operation of any utility Vac or blower can result in foreign objects being blown into the eyes, which can result in severe eye damage.
-
- ▲ CAUTION:**
- To reduce the risk of hearing damage, wear ear protectors when using for extended time or a noisy area.
 - For dusty operations, wear dust mask.
 - Static shocks are common when the relative humidity of the air is low. Vacuuming fine debris with your Vac can deposit static charge on the hose or Vac. To reduce the frequency of static shocks in your home or when using this Vac, add moisture to the air with a humidifier.
-
- Observe the following warnings that appear on the motor housing of your Vac:
- 

**DOUBLE INSULATED
GROUNDING NOT REQUIRED.
WHEN SERVICING USE ONLY
IDENTICAL REPLACEMENT PARTS.**
- ▲ WARNING: For your own safety, read and understand owner's manual. Do not run unattended. Do not pick up hot ashes, coals, toxic, flammable or other hazardous materials. Do not use around explosive liquids or vapors.**
- ▲ WARNING: To reduce the risk of electric shock - do not expose to rain - store indoors.**

SAVE THIS MANUAL

Introduction

This Professional Wet/Dry Vac is intended for household use. It may be used for vacuuming wet or dry media and may be used as a blower.

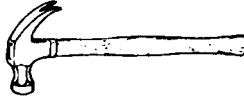
Read this owner's manual to familiarize yourself with the product features and to understand the specific usage of your new Vac.

Unpacking and Checking Carton Contents

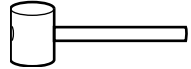
Tools Required



Long Phillips Screwdriver



Hammer



Mallet

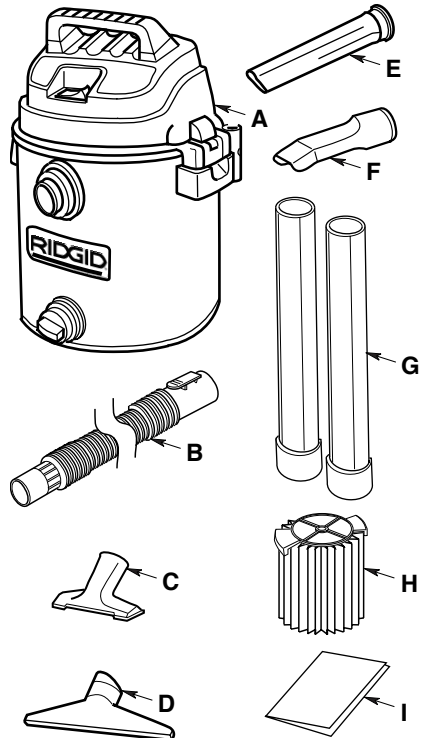
Remove contents of carton. Check each item against the Carton Contents List. Call 1-800-4-RIDGID (1-800-474-3443) or E-mail us at info@RIDGIDvac.com if any parts are damaged or missing.

Refer to the assembly sketch for positioning of parts.

Carton Contents List

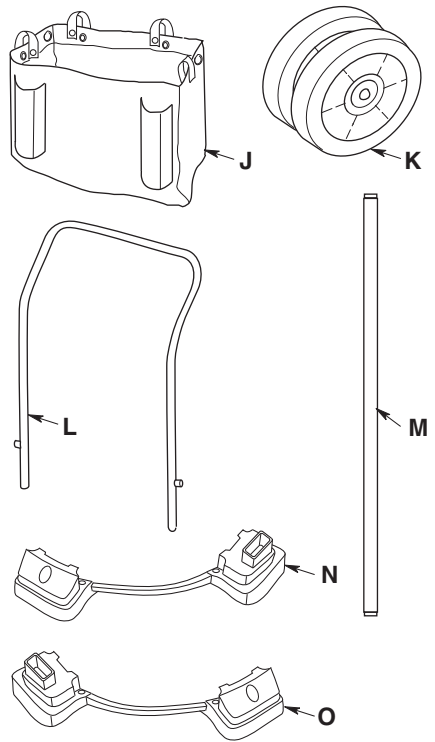
Key	Description	Qty
A	Wet/Dry Vac Assembly.....	1
B	Dual-Flex™ Locking Hose.....	1
C	Utility Nozzle.....	1
D	Wet Nozzle.....	1
E	Crevice Nozzle.....	1
F	Car Nozzle.....	1
G	Extension Wands.....	2
H*	Qwik Lock™ Filter.....	1
I	Owner's Manual.....	1

* These items may come preassembled. If they are not present in the carton check the Vac power head to see if they are preassembled.

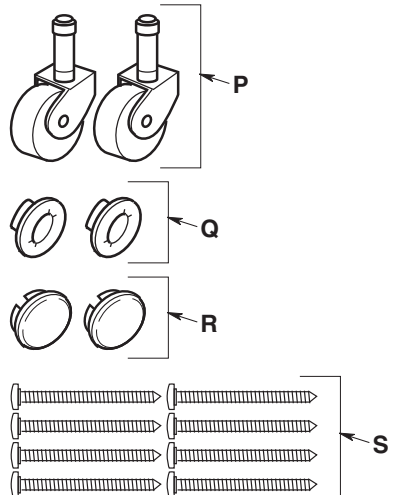


Unpacking and Checking Carton Contents (continued)

Key	Description	Qty
Carton - Containing the following parts:		
J	Storage Bag.....	1
K	Rear Wheels.....	2
L	Metal Handle	1
M	Shaft	1
N	Caddy, Right.....	1
O	Caddy, Left	1



Key	Description	Qty
Bag of Loose Parts -		
Containing the following:		
P	Casters	2
Q	Cap Nuts.....	2
R	Wheel Caps	2
S	Screws, Type AB #10 x 3/4" (19 mm) ..	8



Removing/Installing the Metal Handle

Your Metal handle comes packaged in the carton in the reverse direction. You must pull the metal handle completely out of Vac and reinstall the handle in the correct direction, bent area facing away from the back of the Vac, before continuing.

Installing Handle

Press and hold release buttons while installing handle into handle receptacles in drum (See illustration).

NOTE: An audible snap of release buttons indicates successful engagement of handle.

Lowering Handle for Storage

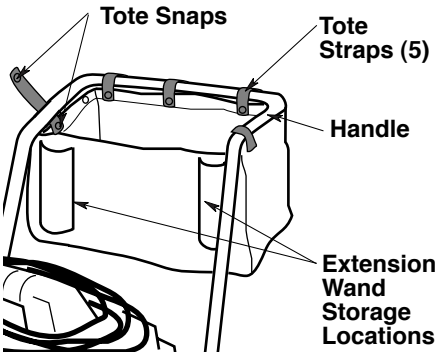
To store Wet/Dry Vac, press and hold release buttons while firmly sliding handle down.

Removing Handle

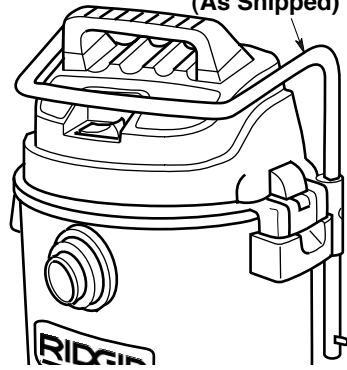
Press and hold release buttons, as shown. While firmly pushing in release buttons, pull handle upwards to remove (see illustration).

Installing Tool Holder

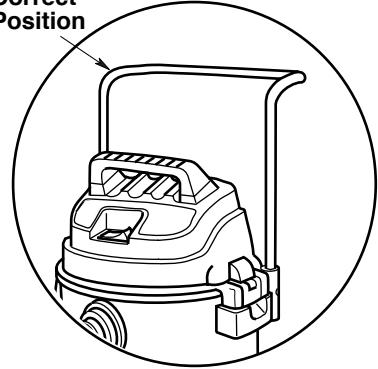
Install tool holder as shown with extension wand holders facing unit.



Metal Handle in Reversed Position (As Shipped)

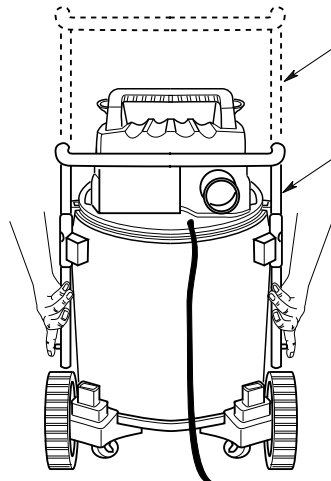


Correct Position



Moving Position

Storage Position



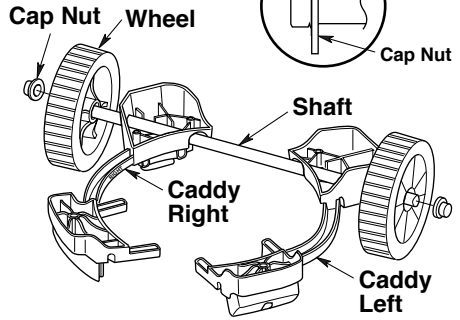
Drum/Caddy Assembly

If any parts are missing or damaged contact Customer Service.

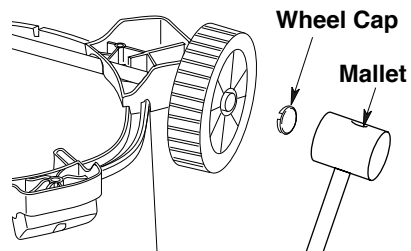
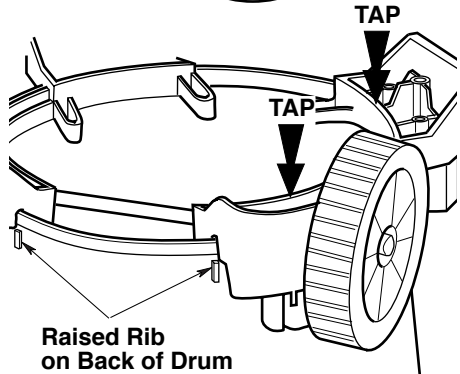
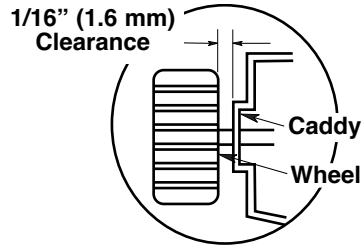
Do not assemble until you have all the parts.

1. Invert drum to install caddies.
Install cap nut on one side of shaft rod. Tap gently with rubber mallet or hammer until fully seated. Slide open end of shaft through the wheel (smooth side of wheel facing outward).
2. Place wheel/shaft assembly through caddy left and on through the caddy right, as shown.
3. Then place the remaining wheel onto the caddy assembly (smooth side of wheel facing outward), and install second cap nut.
4. Place the caddy assembly onto the drum rim. Align inside edges of both left and right caddies with the raised outer ribs, located on back of the drum. Be sure that wheels spin freely, and do not contact the caddies. If the wheels do touch the caddies, move caddies inward slightly.
5. Once the caddies are aligned with the raised ribs on back of the drum, gently tap on rear of each caddy until firmly seated. It is recommended to tap the center portion of each rear caddy. After rear portions of caddies are firmly in place, proceed to tap into place the front portion of each caddy until fully seated. It is recommended to tap the center portion of the front caddies, as shown.
6. Using a rubber mallet or hammer, gently tap the wheel caps onto each wheel until the wheel caps are firmly seated onto each wheel. This is required on both left and right sides.

NOTE: Smooth side of the wheel to the outside.

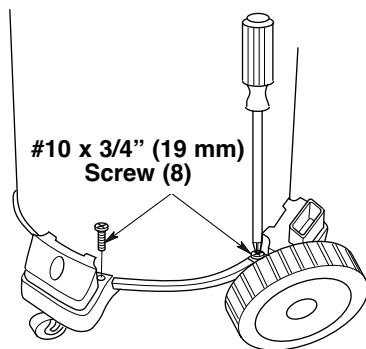
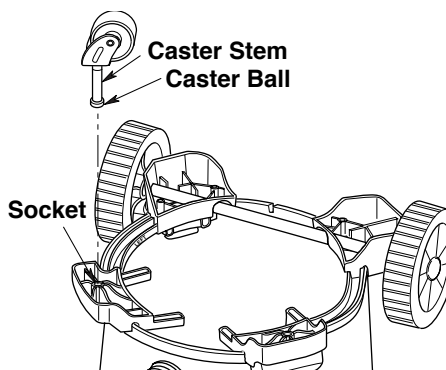


CADDY ASSEMBLY



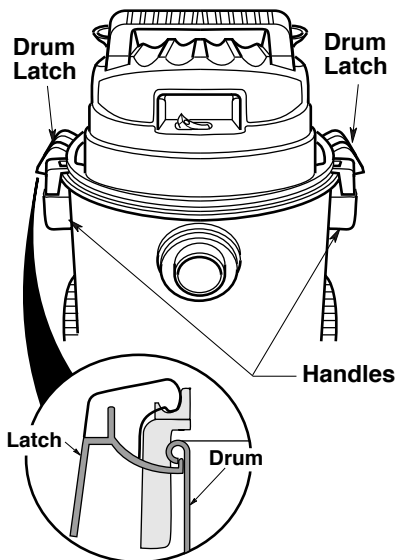
Drum/Caddy Assembly (continued)

7. Insert the caster stem into the socket of the caster foot as shown. (Front casters only).
8. Push on the caster until the ball on the caster stem is inserted all the way into the socket. You will be able to hear the ball snap into the socket and the caster will swivel easily when positioning is correct.
9. Rotate drum/caddy assembly upright, using a long phillips screwdriver, install (8) #10 x 3/4" (19 mm) screws into matching holes on both right and left side of caddy. Tighten screws until just snug. Do not over tighten as this may tend to deform the caddies.



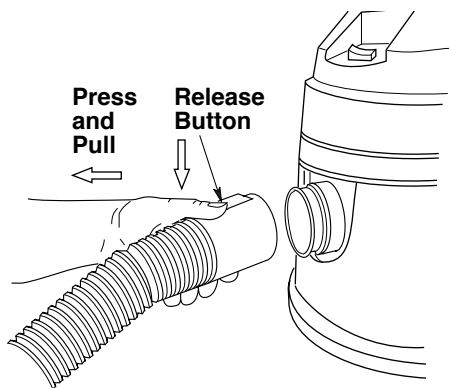
Wet/Dry Vac Assembly

1. Position the powerhead assembly on the drum/caddy assembly as shown (assembled earlier).
2. Rotate both latches down and press until you hear them snap over the flanges on the drum.



Insert Hose

Insert the push button end of the "Dual-Flex™ Locking" hose into the inlet of the Vac. The hose should snap into place. To remove the hose from the Vac, press the release button in the hose assembly and pull the hose out of the Vac inlet, as shown.



Operation

▲ WARNING: To reduce the risk of fire, explosion, or damage to Vac:

- Do not leave Vac running while unattended - you may fail to notice important signs indicating abnormal operation such as loss of suction, debris/liquid exiting the exhaust, or abnormal motor noises. Immediately stop using Vac if you notice these signs.
- Do not leave Vac plugged in when not in use.
- Do not continue running when float has cut off suction.
- Sparks inside the motor can ignite airborne flammables. Do not operate Vac near flammable liquids or in areas with flammable gases, vapors, or explosive/airborne dust. Flammable liquids, gases, and vapors include: lighter fluid, solvent-type cleaners, oil-based paints, gasoline, alcohol, and aerosol sprays. Explosive dusts include: coal, magnesium, aluminum, grain, and gun powder.
- Do not vacuum up explosive dusts, flammable liquids, or hot ashes.

▲ WARNING: To reduce the risk of electric shock or injury:

- Do not expose to rain or allow liquid to enter motor compartment. Store indoors.
- Do not handle plug, switch, or Vac with wet hands.
- Unplug Vac before servicing. If your Vac is not working as it should, has missing parts, has been dropped, damaged, left outdoors, or dropped into water, return it to an authorized service center or call customer service.
- When using an extension cord, use only outdoor-rated cords that are in good condition. Do not allow the connection to come into contact with liquid.

To reduce the risk of electric shock, this appliance has a polarized plug (one blade is wider than the other). This plug will fit in a polarized outlet only one way. If the plug does not fit fully in the outlet, reverse the plug. If it still does not fit, contact a qualified electrician to install the proper outlet. Do not change the plug in any way.

After you plug the power cord into the outlet, turn the unit on by pushing the switch from position "O" to position "I". The symbols used on the switch actuator are international "On & Off" symbols.

○ = OFF | = ON

Familiarize yourself with the accessories included with the Vac. Each accessory may be used in various ways for vacuuming and blowing debris. Here is a list of the accessories and their uses.

Utility Nozzle - General purpose nozzle for most vacuuming applications.

Wet Nozzle - Used for wet pickup on smooth surfaces to pick up liquid and dry the surface in one stroke.

Car Nozzle - Dry pickup nozzle for car interiors and most upholstery cleaning.

Extension Wands - These wands can be connected together and provides additional length for more reach.

Dual-Flex™ Locking Hose - Provides transfer of vacuum or blowing capability to work site. Provides the means of attaching extension wands and nozzles.

Crevice Tool - Use to pick up debris in hard to reach locations.

Operation (continued)

Vacuumping Dry Materials

1. The filter must always be in correct position to reduce the risk of leaks and possible damage to Vac.
2. Your Wet/Dry Vac comes with the VF5000 Filter installed. When using your Vac to pick up very fine dust, it will be necessary for you to empty the drum and clean the filter at more frequent intervals to maintain peak Vac performance.

NOTE: A dry filter is necessary to pick up dry material. If you use your Vac to pick up dust when the filter is wet, the filter will clog quickly and be very difficult to clean. Allow filter to dry out before storing.

Vacuumping Liquids

IMPORTANT:

1. When picking up small amounts of liquid (2-4 inches (5-10 cm) of liquid in the bottom of the drum) the filter may be left in place.
2. When picking up larger amounts of liquid (more than 4 inches (10 cm) of liquid in the bottom of the drum) we recommend that the filter be removed. If the filter is not removed, it will become saturated and misting may appear in the exhaust.

▲ WARNING: Do not operate without filter cage and float, as they prevent liquid from entering the impeller and damaging the motor.

3. After using the Vac to pick up liquids, the filter must be dried to reduce the risk of possible mildew and damage to the filter.
4. When the liquid in the drum reaches a predetermined level, the float mechanism will rise automatically to cut off air-flow. When this happens, turn off the Vac, unplug the power cord, and empty the drum. You will know that the float has risen because Vac airflow ceases and the motor noise will become higher in pitch, due to increased motor speed.

IMPORTANT: To reduce the risk of damage to the Vac, do not run motor with float in raised position.

Emptying the Drum

▲ WARNING: To reduce the risk of injury from accidental starting, unplug power cord before emptying the drum.

1. The Vac comes equipped with a drain for easy emptying of liquids. Simply unscrew the drain cap and lift the opposite side slightly to empty the drum.
2. Another option is to remove the powerhead assembly.
3. Lay powerhead assembly aside on a clean area while emptying drum.
4. Dump the drum contents into the proper waste disposal container.

▲ WARNING: To reduce the risk of back injury or falls, do not lift a Vac heavy with liquid or debris. Scoop or drain enough contents out to make the Vac light enough to lift comfortably.

Moving the Wet/Dry Vac

Should it become necessary to pick up the Vac to move it, the handle on the sides of the dust drum are used to lift. To maneuver the Vac, the push/pull handle in the rear of the unit should be used.

Operation (continued)

Blowing Feature

Your Vac features a blowing port. It can blow sawdust and other debris.

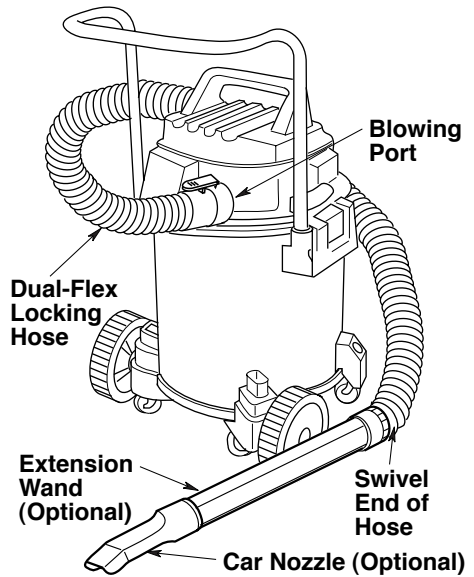
Follow the steps below to use your Vac as a blower.

▲ WARNING: Always wear safety eyewear complying with ANSI Z87.1 (or in Canada, CSA Z94.3) before using as a Blower.

▲ WARNING: To reduce the risk of injury to bystanders, keep them clear of blowing debris.

▲ CAUTION: Wear a dust mask if blowing creates dust which might be inhaled.

▲ CAUTION: To reduce the risk of hearing damage, wear ear protectors when using the Vac/Blower for extended time or in a noisy area.

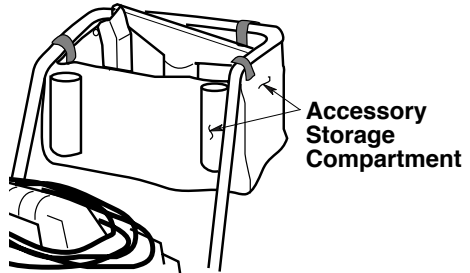


1. Locate blowing port of your Vac.
2. Insert the locking end of the Dual-Flex™ Locking Hose into the blowing port of the Vac. The hose should snap into place. To remove the hose from the Vac, press the release button in the hose assembly and pull the hose out of the Vac inlet.
3. (Optional) Attach extension wand to opposite end of hose, then place the car nozzle on the wand.
4. Turn Vac on and you are ready to use your Vac as a blower.

Accessory and Hose Storage

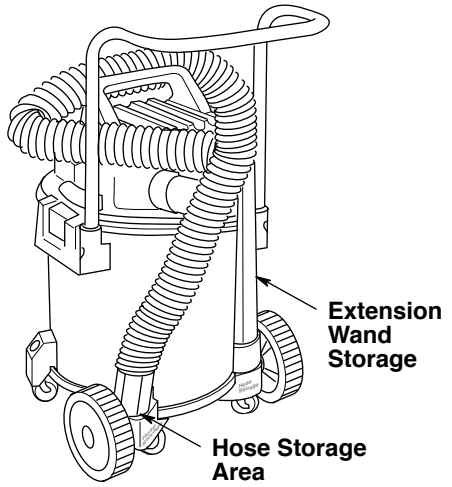
Accessory Storage

Your accessories may be stored in the removable tote, or in the two locations on the caddy right/left.



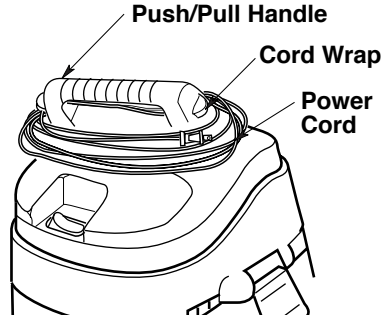
Hose Storage

Either the hose or the wands may be stored in the two areas marked Hose Storage. The hose may be stored by wrapping it around the unit and plugging the open end into one of the storage locations on the caddy assembly. Alternatively, the wands may also be stored in this location by plugging either of the ends of the wands onto the storage receivers located on the caddy.



Cord Wrap

When vacuuming is complete, unplug the cord and wrap it around the power assembly as shown. The cord should wrap under the pull handle (above the inlet) and around and under the cord wrap of the motor cover.



Maintenance

Filter

▲ WARNING: To reduce the risk of injury from accidental starting, unplug power cord before changing or cleaning filter.

NOTE: The filter is made of high quality paper designed to stop very small particles of dust. The filter can be used for dry pick up or small amounts of liquid. Handle the filter carefully when removing to clean or installing it. Creases in the filter pleats may occur from installation but will not affect the performance of the filter.

Removal and Installation of the Qwik Lock™ Filter

Filter Removal:

1. Hold the filter tabs of the Qwik Lock™ filter in each hand.
2. With one thumb on the Qwik Lock™ stud, which protrudes through the integrated filter plate, lift up on the filter tabs while pushing down on the stud.
3. This action will cause the filter to release from the filter cage. Slide filter off cage.

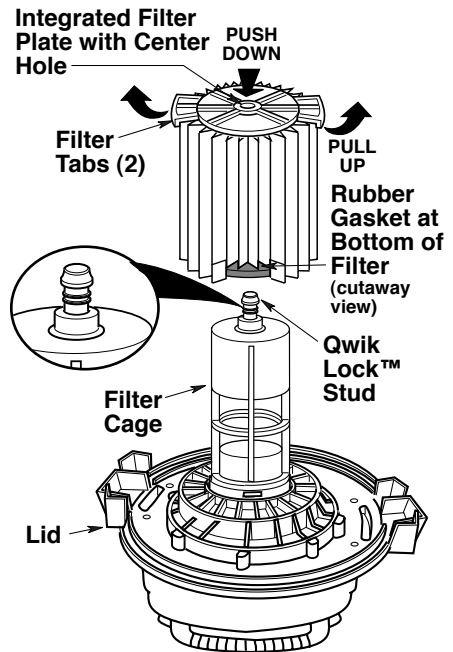
IMPORTANT: To avoid damage to the blower wheel and motor, always reinstall the filter before using the Vac for dry material pick-up.

Filter Installation:

1. Carefully slide the Qwik Lock™ filter over the filter cage and press down on the outside edge of the filter until the rubber gasket on the bottom of the filter seats securely around the base of the filter cage and against the lid.
2. Align the small center hole in the top of the filter over the Qwik Lock™ stud on the filter cage. Press firmly on top of the filter near the stud to allow the filter to snap over the ball on the end of the stud. The filter is now attached.

NOTE: Failure to properly seat the bottom gasket could result in debris bypassing the filter.

▲ WARNING: Do not operate without filter cage and float, as they prevent liquid from entering the impeller and damaging the motor.



Maintenance (continued)

Filter Cleaning

Your filter should be cleaned often to maintain peak Vac performance.

Cleaning A Dry Filter

1. Some removal of dry debris can be accomplished without removing the filter from the Vac. Slap your hand on top of the lid while the Vac is turned off.
2. For best cleaning results due to accumulated dust, clean the filter in an open area. Cleaning **SHOULD** be done outdoors and not in the living quarters.
3. After filter removal from Vac, remove the dry debris by gently tapping filter against the inside wall of your dust drum. The debris will loosen and fall.
4. For thorough cleaning of dry filter with fine dust (no debris), run water through it as described under "Cleaning A Wet Filter"

Cleaning A Wet Filter

After filter is removed, run water through the filter from a hose or spigot. Take care that water pressure from the hose is not strong enough to damage filter.

IMPORTANT: After cleaning, check the filter for tears or small holes. Do not use a filter with holes or tears in it. Even a small hole can cause a lot of dust to come out of your Vac. If your filter is damaged or worn, replace it immediately.

Allow the filter to dry before reinstalling and storing the Vac or picking up dry debris.

Cleaning and Disinfecting the Wet/Dry Vac

To keep your Wet/Dry Vac looking its best, clean the outside with a cloth dampened with warm water and mild soap.

To clean the drum:

1. Dump debris out.
2. Wash drum thoroughly with warm water and mild soap.
3. Wipe out with dry cloth.

Before prolonged storage or as needed (i.e.; waste water pick up) the drum should be disinfected.

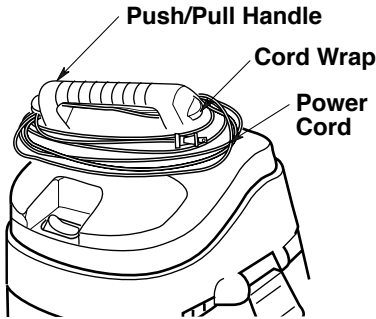
To disinfect the drum:

1. Pour 1 gallon (4 L) of water and 1 teaspoon (5 mL) chlorine bleach into the drum.
2. Let solution stand for 20 minutes, carefully swishing every few minutes, making sure to wet all inside surfaces of the drum.
3. Empty drum after 20 minutes. Rinse with water until bleach smell is gone. Allow drum to dry completely before sealing the motor on the drum.

Maintenance (continued)

Cord Maintenance

When vacuuming is complete, unplug the cord and wrap it around the motor cover. If the power cord is damaged, it must be replaced by the manufacturer or their service agent or by similarly qualified personnel to reduce the risk of accident.



Storage

Before storing your Vac, the drum should be emptied and cleaned. The cord should be wrapped around the unit and the hose should be stored as described in this manual. Accessories should be kept in the same area as the Vac so they can be readily available. The Vac should be stored indoors.

Casters and Wheels

Should your cart squeak or become hard to roll, you should place two or three drops of general purpose oil on each wheel at the axle. If your casters are noisy, you may put a drop of oil on the roller shaft to make them quieter.

Frame and Handles

Your metal handle is painted to prevent rust, however, liquids and corrosive debris should be wiped off with a soft cloth should they come in contact with the handle.

⚠ WARNING: To assure product SAFETY and RELIABILITY, any other maintenance, repairs and adjustments should be performed by Authorized Service Centers, always using RIDGID replacement parts.

Repair Parts

**16 Gallon / 60 Liter Professional Wet/Dry Vac
Model Numbers WD19560 / WD1956M1**

**Electrical Ratings:
120 V, 12 A, 60 Hz**

RIDGID parts are available on-line at www.RIDGIDparts.com

Always order by Part Number - Not by Key Number

▲ WARNING: Unplug before any disassembly or servicing.

▲ WARNING: All disassembly and repairs should be performed by qualified personnel.


Key No.	Part No.	Description
1	830564	Actuator, Switch (WD19560 Only)
2	813213	Switch, Toggle (WD19560 Only)
2	510553	Switch, Rocker Assembly (WD1956M1 Only)
3	832786	Power Head Assembly (Includes Keys 5 & 6) (WD19560 Only)
4	830847	Lid Latch
5	509488	Float
6	823201-3	Filter Cage
7	VF5000	† Qwik Lock™ Fine Dust Filter
8	VT2509	† Utility Nozzle
9	VT2503	† Car Nozzle
10	VT2510	† Wet Nozzle
11	VT2502	† Crevice Tool
12	826356-5	† Dual-Flex™ Locking Hose
13	VT2508	† Extension, Handle
14	SP6731	Owner's Manual

† These replacement parts may be available where you purchased your Vac.

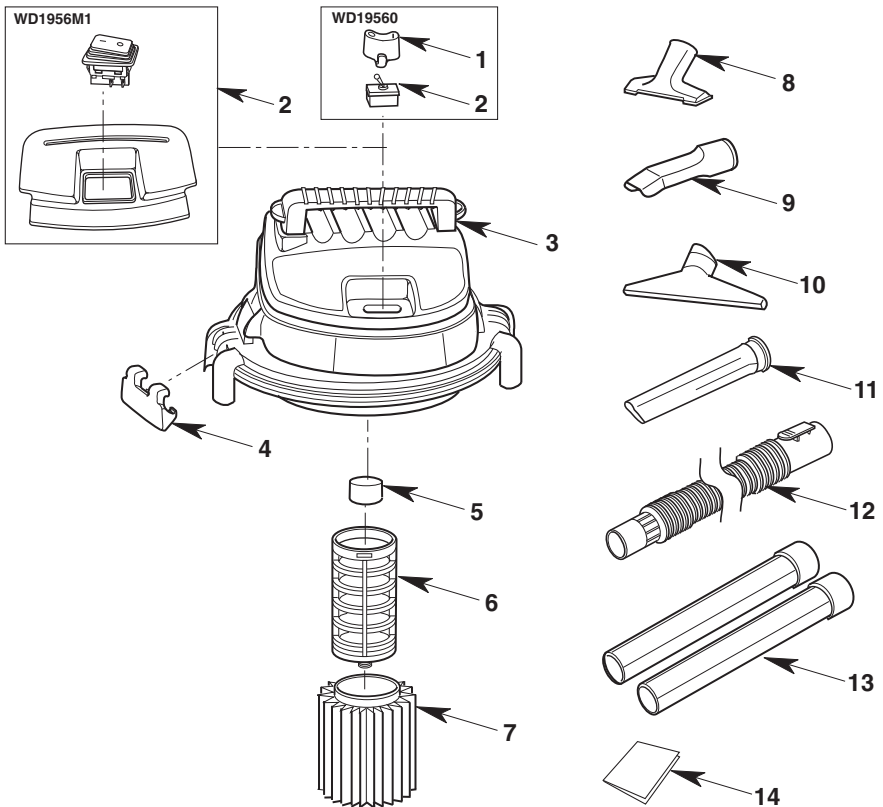
Repair Parts (continued)

16 Gallon / 60 Liter Professional Wet/Dry Vac
Model Numbers WD19560 / WD1956M1
RIDGID parts are available on-line at www.RIDGIDparts.com

▲ WARNING SERVICING OF DOUBLE-INSULATED WET/DRY VAC

In a double-insulated Wet/Dry Vac, two systems of insulation are provided instead of grounding. No grounding means is provided on a double-insulated appliance, nor should a means for grounding be added. Servicing a double-insulated Wet/Dry Vac requires extreme care and knowledge of the system, and should be done only by qualified service personnel. Replacement parts for a double-insulated Wet/Dry Vac must be identical to the parts they replace. Your double-insulated Wet/Dry Vac is marked with the words "DOUBLE INSULATED" and the symbol  (square within a square) may also be marked on the appliance.

To reduce the risk of injury from electrical shock, unplug power cord before servicing the electrical parts of the Wet/Dry Vac.



Repair Parts (continued)

16 Gallon / 60 Liter Professional Wet/Dry Vac Cart Model Numbers WD19560 / WD1956M1

RIDGID parts are available on-line at www.RIDGIDparts.com

Always order by Part Number - Not by Key Number

▲ WARNING: Unplug before any disassembly or servicing.

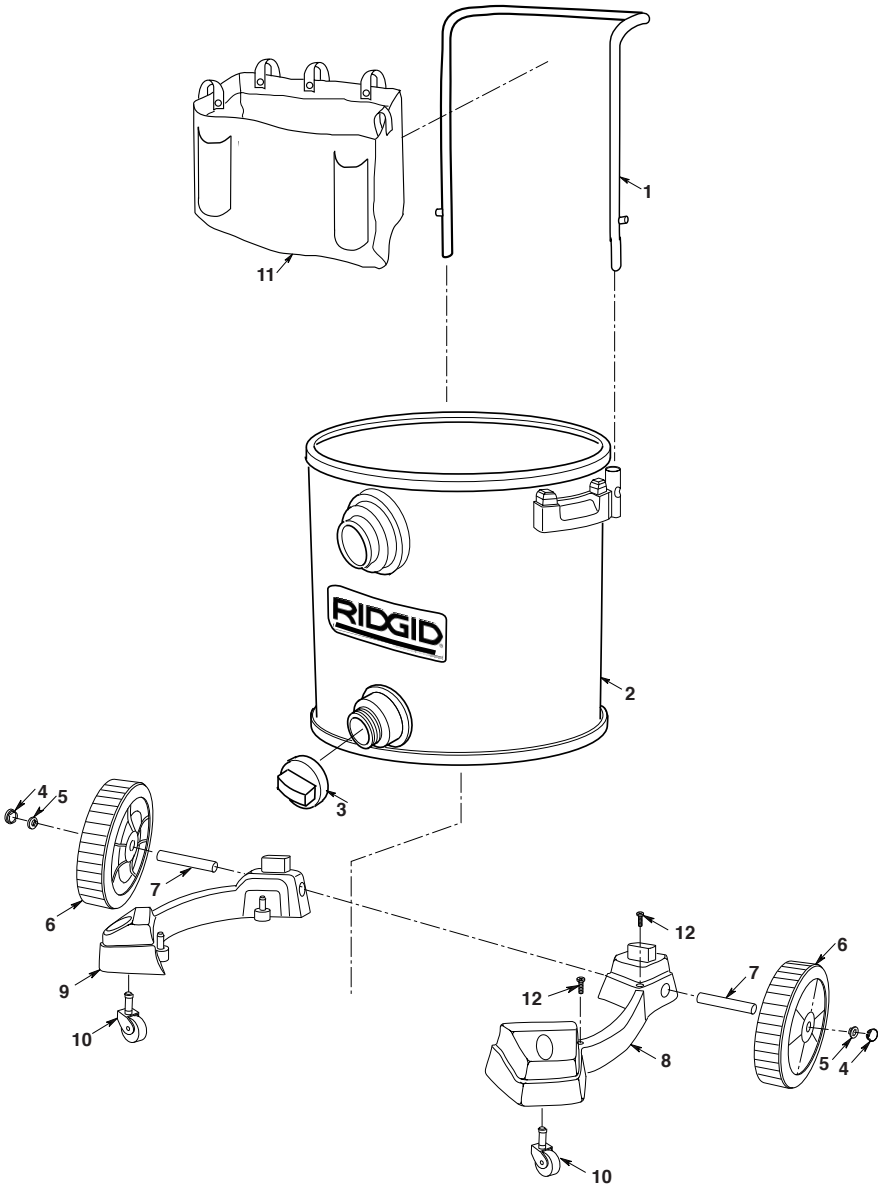
▲ WARNING: All disassembly and repairs should be performed by qualified personnel.

Key No.	Part No.	Description
1	830858	Handle Assembly
2	830846	Dust Drum Assembly
3	73185	Drain Cap
4	830611	Wheel Cap
5	813836-1	Cap Nut
6	830598	Rear Wheel Assembly (Includes Keys 4 and 5)
7	831024-1	Shaft
8	830841	Caddy, Right
9	830840	Caddy, Left
10	73102	Caster
11	830860-1	Tote
12	820563-4	Screw Type "AB" #10 x 3/4" (19 mm)
13	509748-3	Bag of Loose Parts (Not Illustrated) (Includes Keys 4, 5, 10, and 12)

Repair Parts (continued)

16 Gallon / 60 Liter Professional Wet/Dry Vac
Model Numbers WD19560 / WD1956M1

RIDGID parts are available on-line at www.RIDGIDparts.com





Symbol of Quality, Durability and Dependability

• **What is covered**

RIDGID® Wet/Dry Vacs are warranted to be free of defects in workmanship and material.

• **How long coverage lasts**

This warranty lasts for the lifetime of the RIDGID® Wet/Dry Vac.

• **How to obtain service**

To obtain the benefit of this warranty, deliver via prepaid transportation the complete product to RIDGE TOOL COMPANY, Elyria, Ohio, or any authorized RIDGID® INDEPENDENT SERVICE CENTER. Pipe wrenches and other hand tools should be returned to the place of purchase.

• **What we will do to correct problems**

Warranted Wet/Dry Vacs will be repaired or replaced, at Ridge Tool Company's option, and returned at no charge; or, if after three attempts to repair or replace during the warranty period the Wet/Dry Vac is still defective, you can elect to receive a full refund of your purchase price.

• **What is not covered**

Failures due to misuse, abuse or normal wear and tear are not covered by this warranty. **RIDGE TOOL COMPANY SHALL NOT BE RESPONSIBLE FOR ANY INCIDENTAL OR CONSEQUENTIAL DAMAGES.**

• **How local laws relate to the warranty**

Some states do not allow the exclusion or limitation of incidental or consequential damages, so the above limitation or exclusion may not apply to you. This warranty gives you specific rights, and you may also have other rights which vary from state to state, province to province, or country to country.

• **No other express warranty applies**

This FULL LIFETIME WARRANTY is the sole and exclusive warranty for RIDGID® Wet/Dry Vacs. No employee, agent, dealer, or other person is authorized to alter this warranty or make any other warranty on behalf of Ridge Tool Company.

Stock No. WD1956 / WD1956M

Model No. WD19560 / WD1956M1

Serial Number _____

Model and serial numbers may be found on the handle. You should record both model and serial numbers in a safe place for future use.

**FOR QUESTIONS OR INFORMATION CONTACT US AT
1-800-4-RIDGID (1-800-474-3443) from the US and Canada
01-800-701-9811 from Mexico
www.RIDGIDvacs.com**

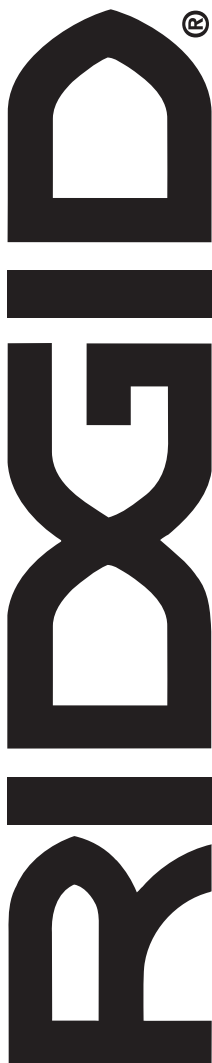
Please have your Model Number and Serial Number on hand when calling



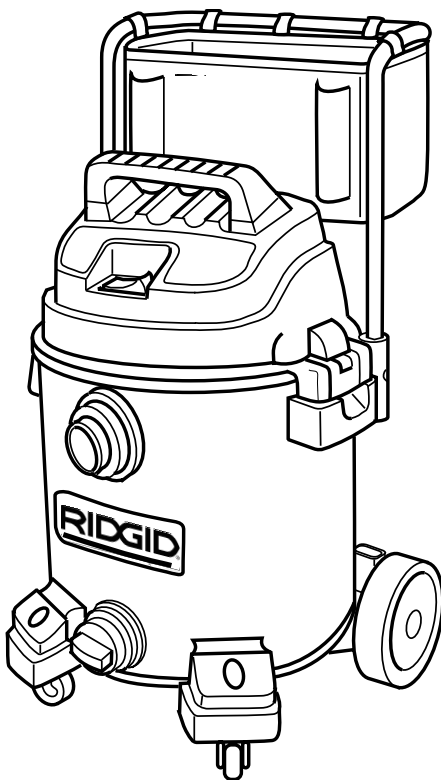
EMERSON™

www.RIDGID.com

© 2018 Emerson



MANUAL DEL USUARIO
ASPIRADORA PARA MOJADO/SECO
PROFESIONAL DE
16 GALONES EE.UU. / 60 Litros
WD19560
WD1956M1



SI TIENE PREGUNTAS O DESEA INFORMACIÓN, CONTÁCTENOS LLAMANDO AL
1-800-4-RIDGID (1-800-474-3443) O
CONECTÁNDOSE A www.RIDGIDvacs.com

▲ ADVERTENCIA:

Para reducir el riesgo de lesiones, el usuario debe leer y entender el manual del usuario antes de utilizar este producto.

Gracias por comprar un producto RIDGID.

• Français - page 41

GUARDE ESTE MANUAL PARA REFERENCIA FUTURA

Índice

Sección	Página	Sección	Página
Introducción	24	Recogida de líquidos con la aspiradora	30
Desempaquetado y comprobación del contenido de la caja de cartón	24	Vaciado del tambor	30
Remoción e instalación del asa metálica	26	Dispositivo de soplado	31
Ensamblaje del tambor/base de soporte	28	Almacenamiento de los accesorios y la manguera	32
Ensamblaje de la aspiradora para mojado/seco	28	Mantenimiento	33
Funcionamiento	29	Piezas de repuesto	36
Recogida de materiales secos con la aspiradora	29	Garantía	40

INSTRUCCIONES DE SEGURIDAD IMPORTANTES

La seguridad es una combinación de sentido común, permanecer alerta y saber cómo funciona la aspiradora para mojado/seco ("la aspiradora").

Palabras de señal de seguridad

▲ PELIGRO: indica una situación peligrosa que, si no se evita, **causará** la muerte o lesiones graves.

▲ ADVERTENCIA: indica una situación peligrosa que, si no se evita, **podría causar** la muerte o lesiones graves.

▲ PRECAUCIÓN: indica una situación peligrosa que, si no se evita, **podría causar** lesiones leves o moderadas

Cuando utilice la aspiradora, siga siempre las precauciones básicas de seguridad, incluyendo las siguientes:

▲ ADVERTENCIA – Para reducir el riesgo de incendio, sacudidas eléctricas o lesiones:

- Lea y entienda este manual del usuario y todas las etiquetas que están colocadas en la aspiradora para mojado/seco antes de utilizarla.
- Utilice la aspiradora únicamente de la manera que se describe en este manual.
- No deje la aspiradora en marcha mientras esté desatendida. Usted podría no notar señales importantes que indiquen un funcionamiento anormal, tal como pérdida de succión, residuos o líquido que salen por el escape o ruidos anormales del motor. Deje de usar la aspiradora inmediatamente si observa estas señales.
- No abandone la aspiradora cuando esté enchufada. Desenchúfela del tomacorriente cuando no la esté utilizando y antes de realizar servicio de revisión.
- Las chispas que se producen en el interior del motor pueden incendiar los vapores inflamables o el polvo. Para reducir el riesgo de incendio o explosión: No use la aspiradora cerca de líquidos o gases inflamables o

combustibles, o polvos explosivos como gasolina u otros combustibles, líquido encendedor, limpiadores, pinturas a base de aceite, gas natural, polvo de carbón, polvo de magnesio, polvo de aluminio, polvo de granos de cereal o pólvora.

- No recoja con la aspiradora nada que esté ardiendo o humeando, como cigarrillos, fósforos o cenizas calientes.
- No recoja con la aspiradora polvo de panel de yeso, ceniza fría de chimenea u otros polvos finos con un filtro estándar. Estos materiales pueden pasar por el filtro y pueden ser expulsados de vuelta al aire. Utilice un filtro para polvo fino en lugar de un filtro estándar.
- Para reducir el riesgo de inhalar vapores tóxicos, no recoja con la aspiradora materiales tóxicos o peligrosos ni la use cerca de dichos materiales.
- Para reducir el riesgo de descargas eléctricas, no exponga la aspiradora a la lluvia ni deje que entren líquidos en el compartimiento del motor. Guarde la aspiradora en un lugar interior.
- Esta aspiradora mojado/seco no se destina para utilizarse por personas (incluyendo niños) cuyas capacidades físicas, sensoriales o mentales sean diferentes o estén reducidas, o carezcan de experiencia o conocimiento, a menos que dichas personas reciban una supervisión o capacitación para el funcionamiento del aparato por una persona responsable de su seguridad.
- No permita que la aspiradora se utilice como un juguete. Se necesita prestar máxima atención cuando sea utilizada por niños o cerca de éstos.
- No use la aspiradora con un filtro desgarrado o sin tener el filtro instalado, excepto cuando recoja con ella líquidos de la manera que se describe en este manual. Los residuos secos absorbidos por el impulsor podrían dañar el motor o ser expulsados de vuelta al aire.
- Apague la aspiradora antes de desenchufarla.

- Para reducir el riesgo de lesiones debidas a un arranque accidental, desenchufe el cordón de energía antes de cambiar o limpiar el filtro.
- No desenchufe la aspiradora tirando del cordón. Para desenchufarla, agarre el enchufe y no el cordón.
- No use la aspiradora con el cordón dañado, el enchufe dañado u otras piezas dañadas. Si la aspiradora no funciona como debe, le faltan piezas, se ha caído, ha sido dañada, se ha dejado a la intemperie o se ha caído al agua, llame a servicio al cliente.
- No tire de la aspiradora usando el cordón ni la lleve por el cordón, ni use el cordón como asa, ni cierre una puerta sobre el cordón, ni tire del cordón alrededor de bordes o esquinas afilados. No pase la aspiradora en marcha sobre el cordón. Mantenga el cordón alejado de las superficies calientes.
- No maneje el enchufe, el interruptor o la aspiradora con las manos mojadas.
- Utilice únicamente cordones de extensión que tengan capacidad nominal para uso a la intemperie. Los cordones de extensión que estén en malas condiciones o tengan un tamaño de alambre demasiado pequeño pueden crear peligros de incendio y descargas eléctricas. Para reducir el riesgo de estos peligros, asegúrese de que el cordón esté en buenas condiciones y que el líquido no entre en contacto con la conexión. No utilice un cordón de extensión que tenga conductores con un diámetro menor al calibre 16 (AWG). Para reducir la pérdida de potencia, utilice un cordón de extensión de calibre 14 si la longitud es de 25 a 50 pies (8 a 15 m) y de calibre 12 si la longitud es de 50 pies (15 m) o más.
- Esta aspiradora tiene aislamiento doble, lo cual elimina la necesidad de un sistema independiente de conexión a tierra. Utilice únicamente piezas de repuesto idénticas. Lea las instrucciones de servicio de revisión de las aspiradoras para mojado/seco con aislamiento doble.
- No ponga ningún objeto en las aberturas de ventilación. No recoja nada con la aspiradora cuando cualquiera de las aberturas de ventilación esté bloqueada; mantenga dichas aberturas libres de polvo, pelusa, pelo o cualquier cosa que pueda reducir el flujo de aire.
- Mantenga el pelo, la ropa holgada, los dedos y todas las partes del cuerpo alejados de las aberturas y de las piezas móviles.
- Para reducir el riesgo de caídas, tenga cuidado adicional al limpiar en escaleras.
- Para reducir el riesgo de lesiones de espalda o caídas, no levante una aspiradora que pese mucho debido a que contiene líquido o residuos. Saque parte del contenido de la aspiradora o drénela parcialmente.
- Para reducir el riesgo de lesiones corporales o daños a la aspiradora, utilice únicamente accesorios recomendados por RIDGID.
- Cuando utilice la aspiradora como soplador :
 - Dirija la descarga de aire solamente hacia el área de trabajo.
 - No dirija el aire hacia las personas que estén presentes.
 - Mantenga alejados a los niños durante la operación de soplado.
 - No utilice el soplador para trabajos que no sean soplar suciedad y residuos.
 - No use la aspiradora como rociador.
- Para reducir el riesgo de lesiones en los ojos, use protección ocular de seguridad. La utilización de cualquier aspiradora utilitaria o soplador utilitario puede hacer que se soplen objetos extraños hacia los ojos, lo cual puede causar daños graves en los ojos

▲ PRECAUCIÓN:

- Para reducir el riesgo de daños a la audición, use protectores de oídos cuando utilice la aspiradora durante muchas horas seguidas o cuando la emplee en un área ruidosa.
- Para operaciones que generan polvo, use una máscara antipolvo.
- Las descargas de estática son comunes cuando la humedad relativa del aire es baja. Si recoge residuos finos con la aspiradora, se puede depositar carga estática en la manguera o en la aspiradora. El mejor remedio para reducir la frecuencia de las descargas de estática en su casa o cuando use esta aspiradora es añadir humedad al aire con un humidificador.

Siga las siguientes advertencias que aparecen en la caja del motor de la aspiradora.



ASLAMIENTO DOBLE. NO SE REQUIERE CONEXION A TIERRA.

CUANDO HAGA SERVICIO DE REVISIÓN DE LA ASPIRADORA, UTILICE ÚNICAMENTE PIEZAS DE REPUESTO IDÉNTICAS.

▲ ADVERTENCIA: Para su propia seguridad, lea y entienda el manual del operador. No tenga en marcha la aspiradora desatendida. No recoja cenizas calientes, carbón caliente, materiales tóxicos ni inflamables ni otros materiales peligrosos. No use la aspiradora alrededor de líquidos o vapores explosivos.

▲ ADVERTENCIA: Para reducir el riesgo de sacudidas eléctricas, no exponga la aspiradora a la lluvia y almacénela en interiores.

GUARDE ESTE MANUAL

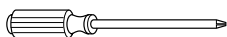
Introducción

Esta aspiradora para mojado/seco profesional está diseñada para uso doméstico. Se puede utilizar para recoger materiales mojados o secos y se puede usar como soplador.

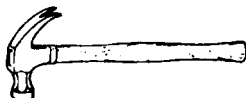
Lea este manual del usuario para familiarizarse con las características del producto y para entender la utilización específica de su nueva aspiradora.

Desempaquetado y comprobación del contenido de la caja de cartón

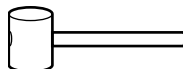
Herramientas necesarias



Destornillador Phillips largo



Martillo



Mazo

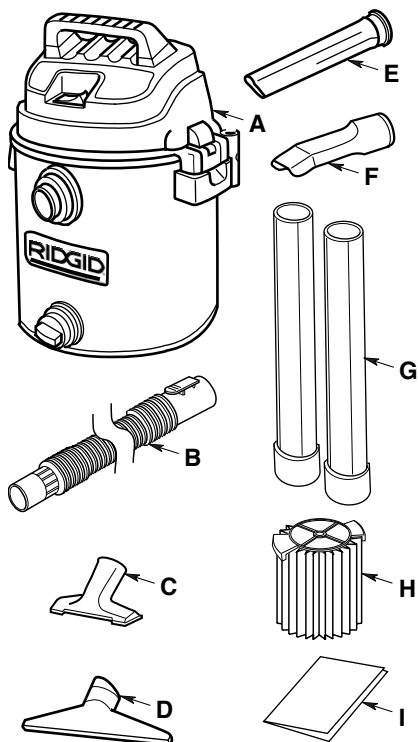
Saque todo el contenido de la caja de cartón. Asegúrese de que no falte ningún artículo utilizando la lista del contenido de la caja. Llame al 1-800-4-RIDGID (1-800-474-3443) o comuníquese con nosotros por correo electrónico a info@RIDGIDvac.com si alguna pieza está dañada o falta.

Consulte el dibujo de ensamblaje para averiguar el posicionamiento de las piezas.

Lista del contenido de la caja de cartón

Clave	Descripción	Cant.
A	Ensamblaje de la aspiradora para mojado/seco	1
B	Manguera de fijación Dual-Flex™	1
C	Boquilla de uso general	1
D	Boquilla para mojado	1
E	Boquilla rinconera	1
F	Boquilla para auto	1
G	Tubos de extensión	2
H*	Filtro Qwik Lock™	1
I	Manual del usuario	1

* Estos artículos pueden venir preensamblados. Si no están presentes en la caja de cartón, compruebe el cabezal del motor de la aspiradora para ver si están preensamblados.

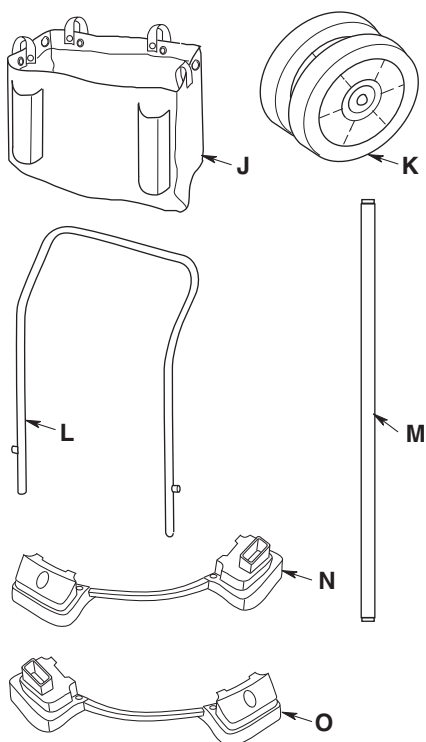


Desempaquetado y comprobación del contenido de la caja de cartón (continuación)

Clave Descripción Cant.

Caja de cartón que contiene las piezas siguientes:

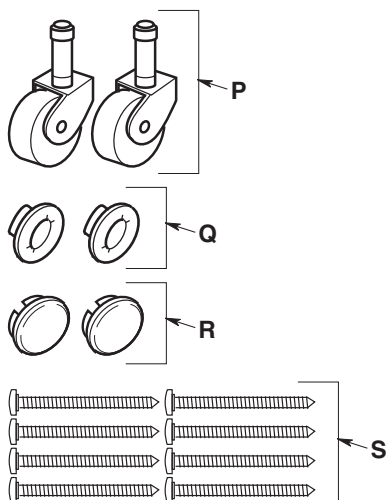
J	Bolsa de almacenamiento	1
K	Ruedas traseras	2
L	Mango metálico	1
M	Eje.....	1
N	Base de soporte derecha	1
O	Base de soporte izquierda.....	1



Clave Descripción Cant.

Bolsa de piezas sueltas que contiene lo siguiente:

P	Ruedecillas	2
Q	Tuercas de tapa	2
R	Tapas de rueda	2
S	Tornillo de tipo AB No. 10 x 3/4" (19 mm).....	8



Remoción e instalación del asa metálica

El asa metálica viene empacada en la caja de cartón en sentido inverso. Usted debe tirar del asa metálica hasta sacarla completamente de la aspiradora y reinstalarla en el sentido correcto, de modo que el área curvada quede orientada alejándose de la parte trasera de la aspiradora, antes de continuar.

Instalación del asa

Oprima y mantenga oprimidos los botones de liberación mientras instala el asa en los receptáculos para el asa ubicados en el tambor (vea la ilustración).

NOTA: Un chasquido audible de los botones de liberación indica un acoplamiento exitoso del asa.

Bajada del asa para almacenar la aspiradora

Para almacenar la aspiradora para mojado/seco, oprima y mantenga oprimidos los botones de liberación mientras desliza firmemente el asa hacia abajo.

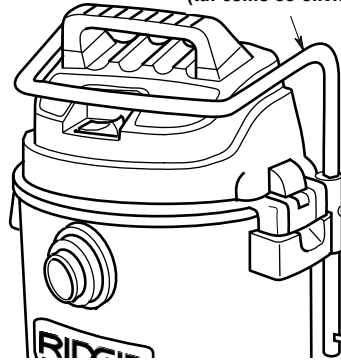
Remoción del asa

Oprima y mantenga oprimidos los botones de liberación, de la manera que se muestra en la ilustración. Mientras oprime firmemente los botones de liberación, tire del asa hacia arriba hasta quitarla (vea la ilustración).

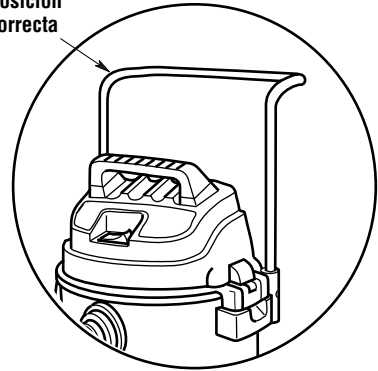
Instalación del portaherramientas

Instale el portaherramientas de la manera que se muestra en la ilustración, con los portatubos extensores orientados hacia la unidad.

Asa metálica en posición invertida (tal como se envía)



Posición correcta

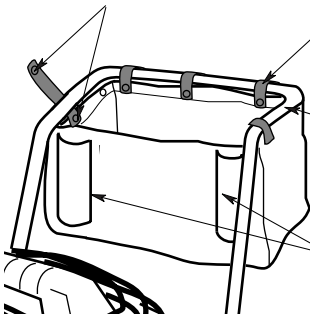


Acopladores de la bolsa

Correas de la bolsa (5)

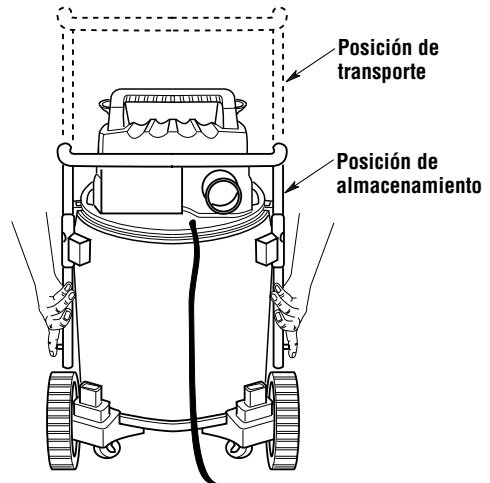
Asa

Ubicaciones del almacenamiento de los tubos extensores



Posición de transporte

Posición de almacenamiento



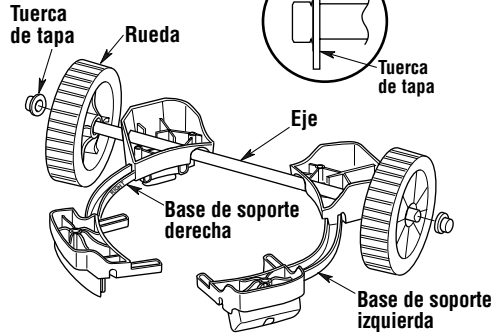
Ensamblaje del tambor/base de soporte

Si cualquiera de las piezas falta o está dañada, póngase en contacto con Servicio al Cliente.

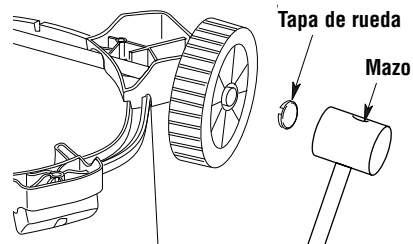
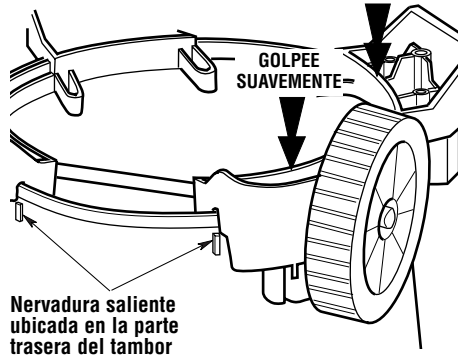
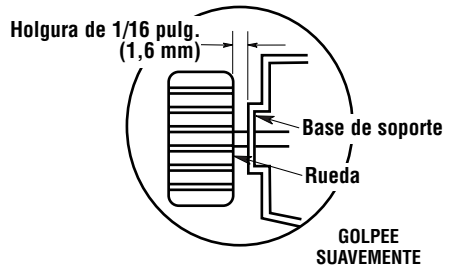
No realice el ensamblaje hasta que tenga todas las piezas.

1. Invierta el tambor para instalar las bases de soporte. Instale una tuerca de tapa en un lado de la varilla del eje. Golpee la tuerca suavemente con un mazo de goma o un martillo hasta que esté completamente asentada. Deslice el extremo abierto del eje a través de la rueda (con el lado liso de la rueda orientado hacia afuera).
2. Coloque el ensamblaje de la rueda y el eje a través de la base de soporte izquierda y luego a través de la base de soporte derecha, de la manera que se muestra en la ilustración.
3. Luego, coloque la rueda restante en el ensamblaje de las bases de soporte (con el lado liso de la rueda orientado hacia afuera) e instale la segunda tuerca de tapa.
4. Coloque el ensamblaje de las bases de soporte sobre el reborde del tambor. Alinee los bordes interiores de las bases de soporte tanto izquierda como derecha con las nervaduras exteriores salientes ubicadas en la parte trasera del tambor. Asegúrese de que las ruedas giren libremente y no entren en contacto con las bases de soporte. Si las ruedas tocan las bases de soporte, mueva dichas bases ligeramente hacia adentro.
5. Una vez que las bases de soporte estén alineadas con las nervaduras salientes ubicadas en la parte trasera del tambor, golpee suavemente la parte trasera de cada base de soporte hasta que esté firmemente asentada. Se recomienda golpear suavemente la porción central de la parte trasera de cada base de soporte. Después de que las porciones traseras de las bases de soporte estén ubicadas firmemente en su sitio, proceda a golpear suavemente en su sitio la porción delantera de cada base de soporte hasta que esté completamente asentada. Se recomienda golpear suavemente la porción central de la parte delantera de cada base de soporte, de la manera que se muestra en la ilustración.
6. Utilizando un mazo de goma o un martillo, golpee suavemente las tapas de rueda, una en cada rueda, hasta que dichas tapas estén firmemente asentadas en cada rueda. Se requiere hacer esto tanto en los lados izquierdo como derecho.

NOTA: Lado liso de la rueda hacia el exterior.

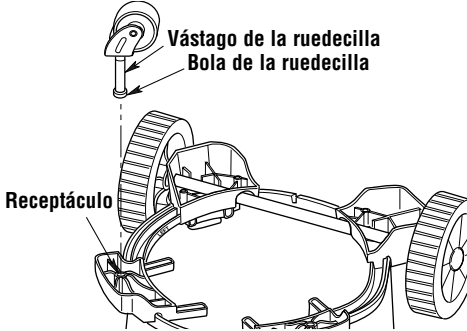


ENSAMBLAJE DE LAS BASES DE SOPORTE

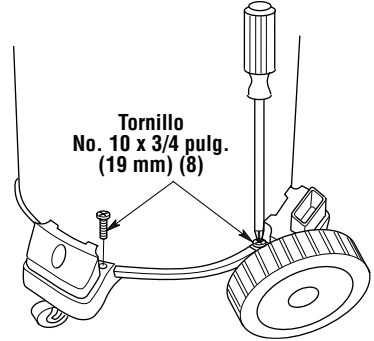


Ensamblaje del tambor/base de soporte (cont.)

- Introduzca el vástago de la ruedecilla en el receptáculo del pie de ruedecilla, de la manera que se muestra en la ilustración (ruedecillas delanteras solamente).
- Empuje sobre la ruedecilla hasta que la bola del vástago de la ruedecilla esté introducida completamente en el receptáculo. Usted podrá oír como la bola se acopla a presión en el receptáculo y la ruedecilla girará fácilmente cuando el posicionamiento sea correcto.

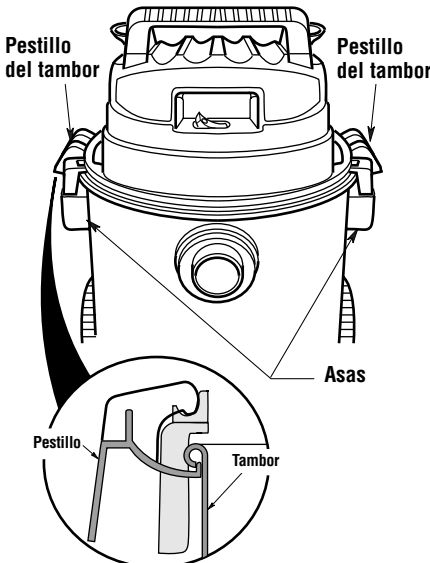


- Voltee el ensamblaje del tambor/base de soporte hasta la posición vertical. Utilizando un destornillador Phillips largo, instale (8) tornillos No. 10 x 3/4 pulgadas (19 mm) en los agujeros correspondientes ubicados tanto en el lado derecho como en el lado izquierdo de la base de soporte. Apriete los tornillos sólo hasta que queden perfectamente ajustados. No los apriete excesivamente en este momento, ya que esto podría tender a deformar las bases de soporte.



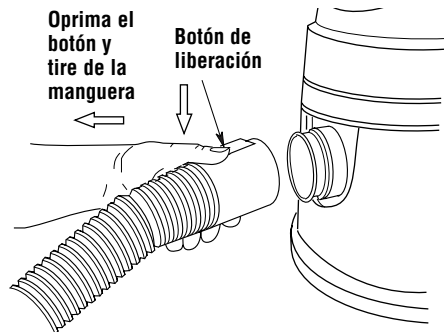
Ensamblaje de la aspiradora para mojado/seco

- Posicione el ensamblaje del cabezal del motor sobre el ensamblaje del tambor/base de soporte, de la manera que se muestra en la ilustración (ensamblado antes).
- Gire ambos pestillos hacia abajo y presione hasta que los oiga acoplarse a presión sobre las pestañas del tambor.



Introduzca la manguera

Introduzca el extremo con botón pulsador de la manguera de "fijación Dual-Flex™" en la entrada de la aspiradora. La manguera debe acoplarse a presión en su sitio. Para quitar la manguera de la aspiradora, oprima el botón de liberación que está en el ensamblaje de la manguera y tire de la manguera hasta sacarla de la entrada de la aspiradora, de la manera que se muestra en la ilustración.



Funcionamiento

▲ ADVERTENCIA: Para reducir el riesgo de incendio, explosión o daños a la aspiradora:

- No deje la aspiradora en marcha mientras esté desatendida. Usted podría no notar señales importantes que indiquen un funcionamiento anormal, tal como pérdida de succión, residuos o líquido que salen por el escape o ruidos anormales del motor. Deje de usar la aspiradora inmediatamente si observa estas señales.
- No deje la aspiradora enchufada cuando no se esté utilizando.
- No continúe usando la aspiradora cuando el flotador haya cortado la succión.
- Las chispas generadas dentro del motor pueden incendiar los materiales inflamables suspendidos en el aire. No utilice la aspiradora cerca de líquidos inflamables ni en áreas con gases o vapores inflamables o polvo explosivo/suspendido en el aire. Los líquidos inflamables, gases inflamables y los vapores inflamables incluyen: líquido encendedor, limpiadores tipo solvente, pinturas a base de aceite, gasolina, alcohol y rociadores tipo aerosol. Los polvos explosivos incluyen: carbón, magnesio, aluminio, grano de cereal y pólvora.
- No recoja con la aspiradora polvos explosivos, líquidos inflamables ni cenizas calientes.

▲ ADVERTENCIA: Para reducir el riesgo de descargas eléctricas o lesiones:

- No exponga la aspiradora a la lluvia ni deje que entre líquido en el compartimiento del motor. Almacene la aspiradora en un lugar interior.
- No maneje el enchufe, el interruptor o la aspiradora con las manos mojadas.
- Desenchufe la aspiradora antes de hacerle servicio de ajustes y reparaciones. Si la aspiradora no está funcionando como debería, le faltan piezas, se ha caído, ha sido dañada, se ha dejado a la intemperie o se ha caído al agua, devuélvala a un centro de servicio autorizado o llame a servicio al cliente.
- Cuando utilice un cordón de extensión, utilice únicamente cordones con capacidad nominal para uso a la intemperie que estén en buenas condiciones. No deje que la conexión entre en contacto con líquido.

Para reducir el riesgo de sacudidas eléctricas, este aparato electrodoméstico tiene un enchufe polarizado (un terminal es más ancho que el otro). Este enchufe entrará en un tomacorriente polarizado solamente de una manera. Si el enchufe no entra por completo en el tomacorriente, déle la vuelta. Si sigue sin entrar, póngase en contacto con un electricista competente para instalar el tomacorriente adecuado. No haga ningún tipo de cambio en el enchufe.

Después de enchufar el cordón de energía en el tomacorriente, encienda la unidad empujando el interruptor de la posición "O" a la posición "I". Los símbolos utilizados en el accionador del interruptor son los símbolos internacionales de "encendido y apagado".

 = APAGADO |  = ENCENDIDO

Familiarícese con los accesorios que se incluyen con la aspiradora. Cada accesorio puede usarse de diversas maneras para aspirar y soplar residuos. A continuación hay una lista de los accesorios y de sus usos.

Boquilla de uso general: Boquilla que se usa en la mayoría de las aplicaciones de aspiración.

Boquilla para mojado: Se utiliza para recoger materiales mojados en superficies lisas con el fin de recoger líquidos y secar la superficie en una sola pasada.

Boquilla para auto: Boquilla para recoger materiales secos en interiores de auto y en la mayoría de limpiezas de tapicería.

Tubos extensores: Estos tubos pueden conectarse entre sí y proporcionan longitud adicional para tener más alcance.

Manguera de fijación Dual-Flex™: Proporciona transferencia de capacidad de aspiración o soplado al lugar de trabajo. Proporciona los medios para acoplar los tubos extensores y las boquillas.

Boquilla rinconera: Se utiliza para recoger residuos en lugares difíciles de alcanzar.

Funcionamiento (continuación)

Recogida de materiales secos con la aspiradora

1. El filtro debe estar siempre en la posición correcta para reducir el riesgo de fugas y posibles daños a la aspiradora.
2. La aspiradora para mojado/seco viene con el filtro VF5000 instalado. Al utilizar la aspiradora para recoger polvo muy fino, será necesario que usted vacíe el tambor y limpie el filtro a intervalos más frecuentes para mantener un rendimiento óptimo.

NOTA: Se necesita un filtro seco para recoger material seco. Si utiliza la aspiradora para recoger polvo cuando el filtro está mojado, éste se atascará rápidamente y será muy difícil limpiarlo. Deje que el filtro se seque antes de almacenar la unidad.

Recogida de líquidos con la aspiradora

IMPORTANTE:

1. Cuando recoja pequeñas cantidades de líquido (2 – 4 pulgadas (5 – 10 cm) de líquido en el fondo del tambor), se podrá dejar instalado el filtro.
2. Cuando recoja cantidades más grandes de líquido (más de 4 pulgadas (10 cm) de líquido en el fondo del tambor), recomendamos que se retire el filtro. Si no se retira el filtro, éste se saturará y podrá aparecer niebla en el chorro de aire de escape.

⚠ ADVERTENCIA: No utilice la aspiradora sin la jaula del filtro y el flotador, ya que estas piezas evitan que entre líquido en el impulsor y dañe el motor.

3. Después de usar la aspiradora para recoger líquidos, se debe secar el filtro para reducir el riesgo de posible moho y daños al filtro.
4. Cuando el líquido que se encuentre en el tambor alcance un nivel predeterminado, el mecanismo del flotador subirá automáticamente para cortar el flujo de aire. Cuando esto suceda, apague la aspiradora, desenchufe el cordón de energía y vacíe el tambor. Sabrá que el flotador ha subido porque el flujo de aire de la aspiradora cesará y subirá el tono del ruido del motor debido a que se producirá un aumento de la velocidad del mismo.

IMPORTANTE: Para reducir el riesgo de daños a la aspiradora, no ponga el motor en marcha con el flotador en la posición elevada.

Vaciado del tambor

⚠ ADVERTENCIA: Para reducir el riesgo de lesiones debidas a un arranque accidental, desenchufe el cordón de energía antes de vaciar el tambor.

1. La aspiradora viene equipada con un drenaje para vaciarla fácilmente de líquidos. Simplemente desenrosque la tapa del drenaje y levante ligeramente el lado opuesto para vaciar el tambor.
2. Otra opción es quitar el ensamblaje del cabezal del motor.
3. Ponga a un lado el ensamblaje del cabezal del motor en un área limpia mientras vacía el tambor.
4. Vierta el contenido del tambor en el recipiente de eliminación de residuos apropiado.

⚠ ADVERTENCIA: Para reducir el riesgo de que se produzcan lesiones en la espalda o caídas, no levante la aspiradora si pesa demasiado debido a que contiene líquido o residuos. Saque o haga salir una cantidad suficiente del contenido para hacer que la aspiradora sea suficientemente liviana como para poder levantarla cómodamente.

Traslado de la aspiradora para mojado/seco

En caso de que sea necesario levantar la aspiradora para trasladarla, las asas ubicadas en los lados del tambor para polvo se usan para levantar la aspiradora. Para maniobrar la aspiradora, se debe usar el asa de empuje / tracción ubicada en la parte trasera de la unidad.

Funcionamiento (continuación)

Dispositivo de soplado

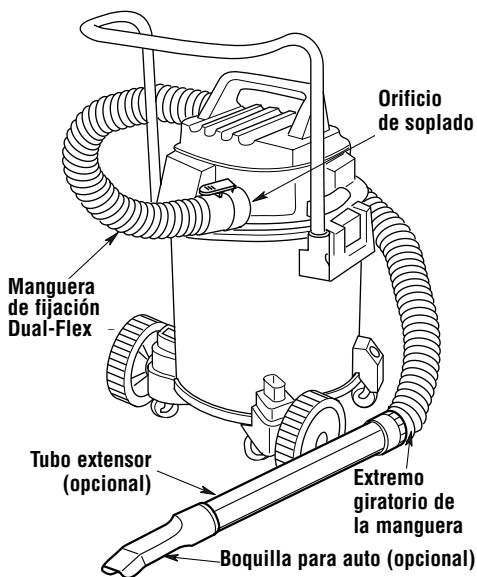
La aspiradora cuenta con un orificio de soplado. Puede soplar aserrín y otros residuos. Siga los pasos que se indican a continuación para usar la aspiradora como soplador.

⚠ ADVERTENCIA: Use siempre protectores oculares de seguridad que cumplan con la norma ANSI Z87.1 (o en Canadá, con la norma CSA Z94.3) antes de utilizar la aspiradora como soplador.

⚠ ADVERTENCIA: Para reducir el riesgo de lesiones a las personas que estén presentes, manténgalas alejadas de los residuos soplados.

⚠ ADVERTENCIA: Use una máscara antipolvo si el soplado genera polvo que podría ser inhalado.

⚠ PRECAUCIÓN: Para reducir el riesgo de daños a la audición, use protectores de oídos cuando utilice la aspiradora/soplador durante muchas horas seguidas o cuando la utilice en un área ruidosa.

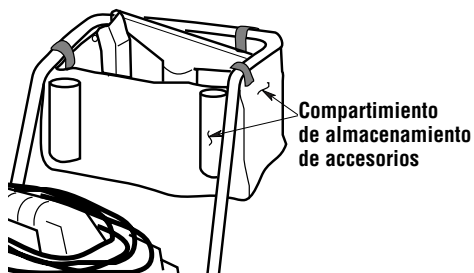


1. Localice el orificio de soplado de la aspiradora.
2. Introduzca el extremo de fijación de la manguera de fijación Dual-Flex en el orificio de soplado de la aspiradora. La manguera debe acoplarse a presión en su sitio. Para quitar la manguera de la aspiradora, oprima el botón de liberación ubicado en el ensamblaje de la manguera y tire de la manguera hasta sacarla de la entrada de la aspiradora.
3. (Opcional) Acople un tubo extensor en el extremo opuesto de la manguera y luego coloque la boquilla para auto en el tubo.
4. Encienda la aspiradora y estará lista para utilizarse como soplador.

Almacenamiento de los accesorios y la manguera —

Almacenamiento de los accesorios

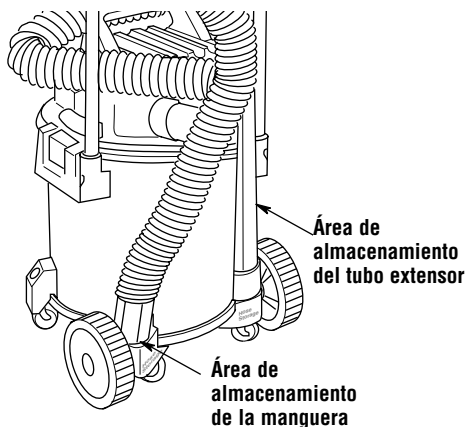
Los accesorios se pueden almacenar en la bolsa desmontable o en las dos ubicaciones que están en la base de soporte derecha/izquierda.



Almacenamiento de la manguera

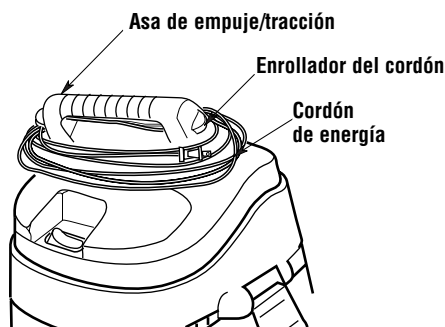
La manguera o los tubos extensores se pueden almacenar en las áreas marcadas con las palabras Hose Storage (Almacenamiento de la manguera).

La manguera se puede almacenar enrollándola alrededor de la unidad e introduciendo el extremo abierto en una de las ubicaciones de almacenamiento que están en el ensamblaje de las bases de soporte. Alternativamente, los tubos extensores también se pueden almacenar en esta ubicación introduciendo cualquiera de los extremos de los tubos extensores en los receptores de almacenamiento ubicados en la base de soporte.



Enrollado del cordón

Cuando se haya completado la limpieza con la aspiradora, desenchufe el cordón de energía y enróllelo alrededor del ensamblaje del cabezal del motor, de la manera que se muestra en la ilustración. El cordón se debe enrollar debajo del asa de tracción (por encima de la entrada) y alrededor y debajo del enrollador del cordón ubicado en la cubierta del motor.



Mantenimiento

Filtro

⚠ ADVERTENCIA: Para reducir el riesgo de lesiones debidas a un arranque accidental, desenchufe el cordón de energía antes de cambiar o limpiar el filtro.

NOTA: Este filtro está hecho de papel de alta calidad diseñado para detener partículas de polvo muy pequeñas. El filtro se puede usar para recoger material seco o pequeñas cantidades de líquido. Maneje el filtro cuidadosamente al quitarlo para limpiarlo o al instalarlo. Es posible que se produzcan arrugas en los pliegues del filtro, pero dichas arrugas no afectarán el funcionamiento del filtro.

Remoción e instalación del filtro Qwik Lock™

Remoción del filtro:

1. Sostenga las lengüetas del filtro Qwik Lock™ en cada mano.
2. Con un dedo pulgar en el vástago Qwik Lock™, que sobresale a través de la placa del filtro integrada, levante las lengüetas del filtro a la vez que empuja hacia abajo sobre el vástago.
3. Esta acción hará que el filtro se suelte de la jaula del filtro. Deslice el filtro hasta retirarlo de la jaula.

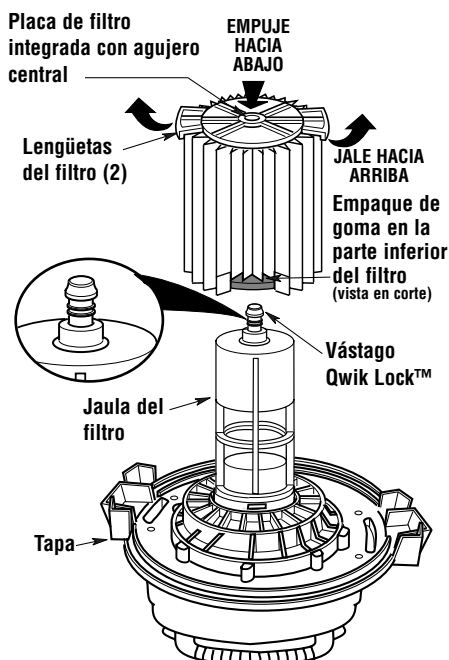
IMPORTANTE: Para evitar daños a la rueda del soplador y al motor, vuelva a instalar siempre el filtro antes de usar la aspiradora para recoger material seco.

Instalación del filtro:

1. Deslice cuidadosamente el filtro Qwik Lock™ sobre la jaula del filtro y presione hacia abajo sobre el borde exterior del filtro hasta que el empaque de goma ubicado en la parte inferior del filtro se asiente firmemente alrededor de la base de la jaula del filtro y contra la tapa.
2. Alinee el agujero central pequeño ubicado en la parte superior del filtro sobre el vástago Qwik Lock™ ubicado en la jaula del filtro. Presione firmemente sobre la parte de arriba del filtro cerca del vástago, para permitir que el filtro se acople a presión sobre la bola ubicada en el extremo del vástago. Una vez hecho esto, el filtro estará instalado.

NOTA: Si no se asienta apropiadamente el empaque inferior, el resultado podría ser que los residuos rodeen el filtro.

⚠ ADVERTENCIA: No utilice la aspiradora sin la jaula del filtro y el flotador, ya que estas piezas evitan que entre líquido en el impulsor y dañe el motor.



Mantenimiento (continuación)

Limpeza de un filtro seco

1. Se puede lograr una extracción parcial de residuos sin quitar el filtro de la aspiradora. Golpee la parte superior de la tapa con la mano mientras la aspiradora está apagada.
2. Para obtener óptimos resultados de limpieza debido a la acumulación de polvo, limpie el filtro en un área abierta. La limpieza SE DEBE realizar al aire libre y no en el interior de la vivienda.
3. Después de quitar el filtro de la aspiradora, saque los residuos secos golpeando suavemente el filtro contra la pared interior del tambor para polvo. Los residuos se soltarán y caerán.
4. Para una limpieza a fondo del filtro seco con polvo fino (sin residuos), haga pasar agua a través del filtro tal como se describe bajo "Limpeza de un filtro mojado".

Limpeza de un filtro mojado

Después de quitar el filtro, haga pasar agua a través de él usando una manguera o desde una espita. Tenga cuidado de que la presión del agua procedente de la manguera no sea tan fuerte como para dañar el filtro.

IMPORTANTE: Después de limpiar el filtro, compruebe si éste tiene desgarraduras o agujeros pequeños. No use un filtro que tenga agujeros o desgarraduras. Incluso un agujero pequeño puede hacer que salga mucho polvo de la aspiradora. Si el filtro está desgastado o dañado, reemplácelo inmediatamente.

Asegúrese de secar el filtro antes de guardar la aspiradora o de recoger residuos secos.

Limpeza y desinfección de la aspiradora para mojado/seco

Para mantener el mejor aspecto posible de la aspiradora para mojado/seco, limpie su exterior con un paño humedecido con agua templada y un jabón suave.

Para limpiar el tambor:

1. Vacíe de residuos el tambor.
2. Lave a fondo el tambor con agua templada y un jabón suave.
3. Limpie el tambor con un paño seco.

Antes de un almacenamiento prolongado o según sea necesario (por ejemplo, si se recogen aguas residuales), se debe desinfectar el tambor.

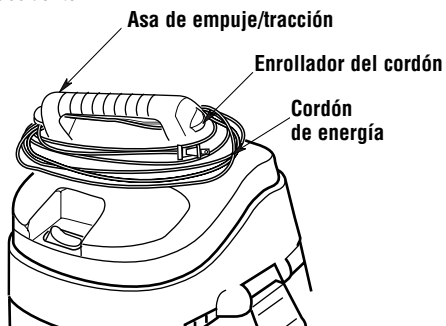
Para desinfectar el tambor:

1. Eche 1 galón (4 L) de agua y 1 cucharadita (5 mL) de blanqueador de cloro en el tambor.
2. Deje que la solución repose durante 20 minutos y agítela cuidadosamente cada pocos minutos, asegurándose de mojar todas las superficies interiores del tambor.
3. Vacíe el tambor después de 20 minutos. Enjuáguelo con agua hasta que el olor a blanqueador desaparezca. Deje que el tambor se seque completamente antes de sellar el motor sobre el tambor.

Mantenimiento (continuación)

Mantenimiento del cordón

Cuando se haya completado la limpieza con la aspiradora, desenchufe el cordón y enróllelo alrededor de la cubierta del motor. Si el cordón de energía está dañado, debe ser reemplazado por el fabricante o su agente de servicio o por personal similarmente calificado, para reducir el riesgo de accidente.



Almacenamiento

Antes de almacenar la aspiradora, se debe vaciar y limpiar el tambor. El cordón se debe enrollar alrededor de la unidad y la manguera se debe almacenar de la manera descrita en este manual. Los accesorios se deben mantener en la misma área que la aspiradora para que estén al alcance de la mano cuando se necesiten. La aspiradora se debe almacenar en interiores.

Ruedecillas y ruedas

Si el carro rechina o es difícil de hacer rodar, debe poner dos o tres gotas de aceite de uso general en el eje de cada rueda. Si las ruedecillas hacen ruido, puede poner una gota de aceite en el eje del rodillo para que hagan menos ruido.

Armazón y mangos

El mango metálico está pintado para impedir la formación de herrumbre. Sin embargo, los líquidos y los residuos corrosivos deben limpiarse con un paño suave si entran en contacto con el mango.

⚠ ADVERTENCIA: Para garantizar la **SEGURIDAD** y **CONFIABILIDAD** del producto, cualquier otro mantenimiento, reparación y ajuste deberá ser realizado por centros de servicio Autorizados, utilizando siempre piezas de repuesto RIDGID.

Piezas de repuesto

Aspiradora para mojado/seco profesional de 16 Galones / 60 Litros
Número de modelo WD19560 / WD1956M1

Clasificaciones eléctricas:

120 V, 12 A, 60 Hz

Las piezas RIDGID se encuentran disponibles en línea conectándose a www.RIDGIDparts.com

Pida siempre por número de pieza —no por número de clave

⚠ ADVERTENCIA: Desenchufe la unidad antes de desmontarla o hacerle servicio de ajustes y reparaciones.

⚠ ADVERTENCIA: Todo el desmontaje y todas las reparaciones deberán ser realizados por personal calificado.

No. de clave	No. de pieza	Descripción
1	830564	Accionador del interruptor (WD19560 solamente)
2	813213	Interruptor de palanca (WD19560 solamente)
2	510553	Ensamblaje de interruptor oscilante (WD1956M1 solamente)
3	832786	Ensamblaje del cabezal del motor (incluye las claves 5 y 6) (WD19560 solamente)
4	830847	Pestillo de la tapa
5	509488	Flotador
6	823201-3	Jaula del filtro
7	VF5000	† Filtro para polvo fino Qwik Lock™
8	VT2509	† Boquilla utilitaria
9	VT2503	† Boquilla para auto
10	VT2510	† Boquilla para mojado
11	VT2502	† Boquilla rinconera
12	826356-5	† Manguera de fijación Dual-Flex™
13	VT2508	† Asa de extensión
14	SP6731	Manual del usuario

† Estas piezas de repuesto pueden estar disponibles en el establecimiento donde usted compró la aspiradora.


Piezas de repuesto (continuación)

Aspiradora para mojado/seco profesional de 16 Galones / 60 Litros
Número de modelo WD19560 / WD1956M1

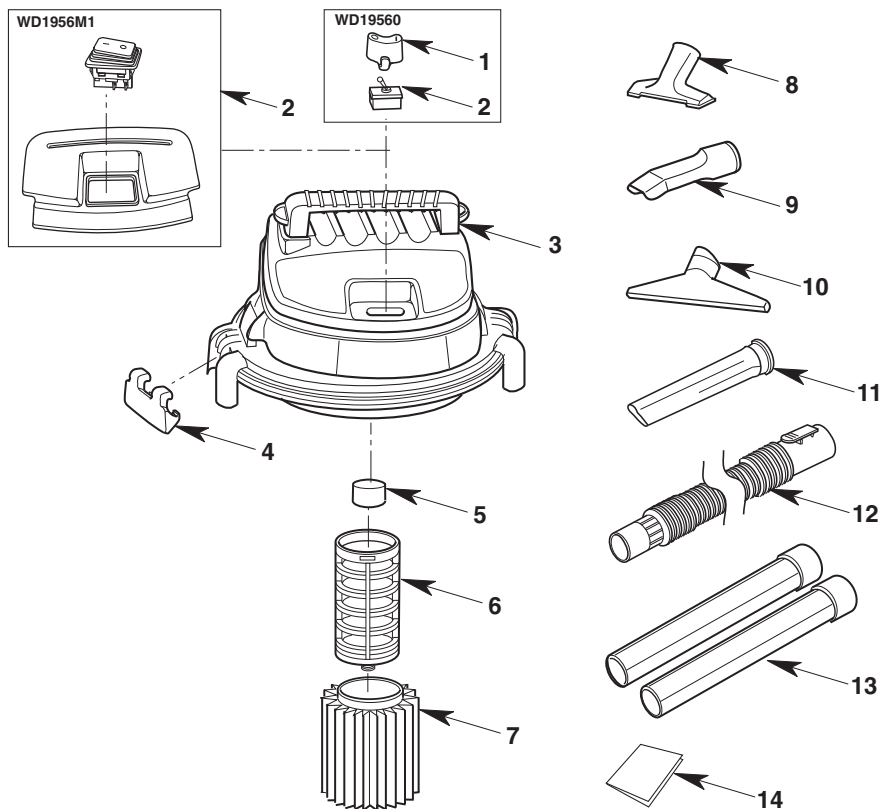
Las piezas RIDGID se encuentran disponibles en línea conectándose a www.RIDGIDparts.com

⚠ ADVERTENCIA

SERVICIO DE AJUSTES Y REPARACIONES DE UNA ASPIRADORA PARA MOJADO/SECO CON AISLAMIENTO DOBLE

En una aspiradora para mojado/seco con aislamiento doble se proporcionan dos sistemas de aislamiento en vez de conexión a tierra. No se proporciona ningún medio de conexión a tierra en un aparato electrodoméstico con aislamiento doble, ni se debe añadir a éste ningún medio de conexión a tierra. El servicio de ajustes y reparaciones de una aspiradora para mojado/seco con aislamiento doble requiere extremado cuidado y conocimiento del sistema, y debe ser realizado únicamente por personal de servicio competente. Las piezas de repuesto para la aspiradora para mojado/seco con aislamiento doble deben ser idénticas a las piezas que reemplazan. La aspiradora para mojado/seco con aislamiento doble está marcada con las palabras "DOUBLE INSULATED" (con aislamiento doble) y puede que el símbolo  (un cuadrado dentro de un cuadrado) también esté marcado en los aparatos.

Para reducir el riesgo de lesiones por causa de descargas eléctricas, desenchufe el cordón de energía antes de hacer servicio de ajustes y reparaciones a las piezas eléctricas de la aspiradora para mojado/seco.



Piezas de repuesto (continuación)

Aspiradora para mojado/seco profesional de 16 Galones / 60 Litros Número de modelo WD19560 / WD1956M1

Las piezas RIDGID se encuentran disponibles en línea conectándose a www.RIDGIDparts.com

Pida siempre por número de pieza —no por número de clave

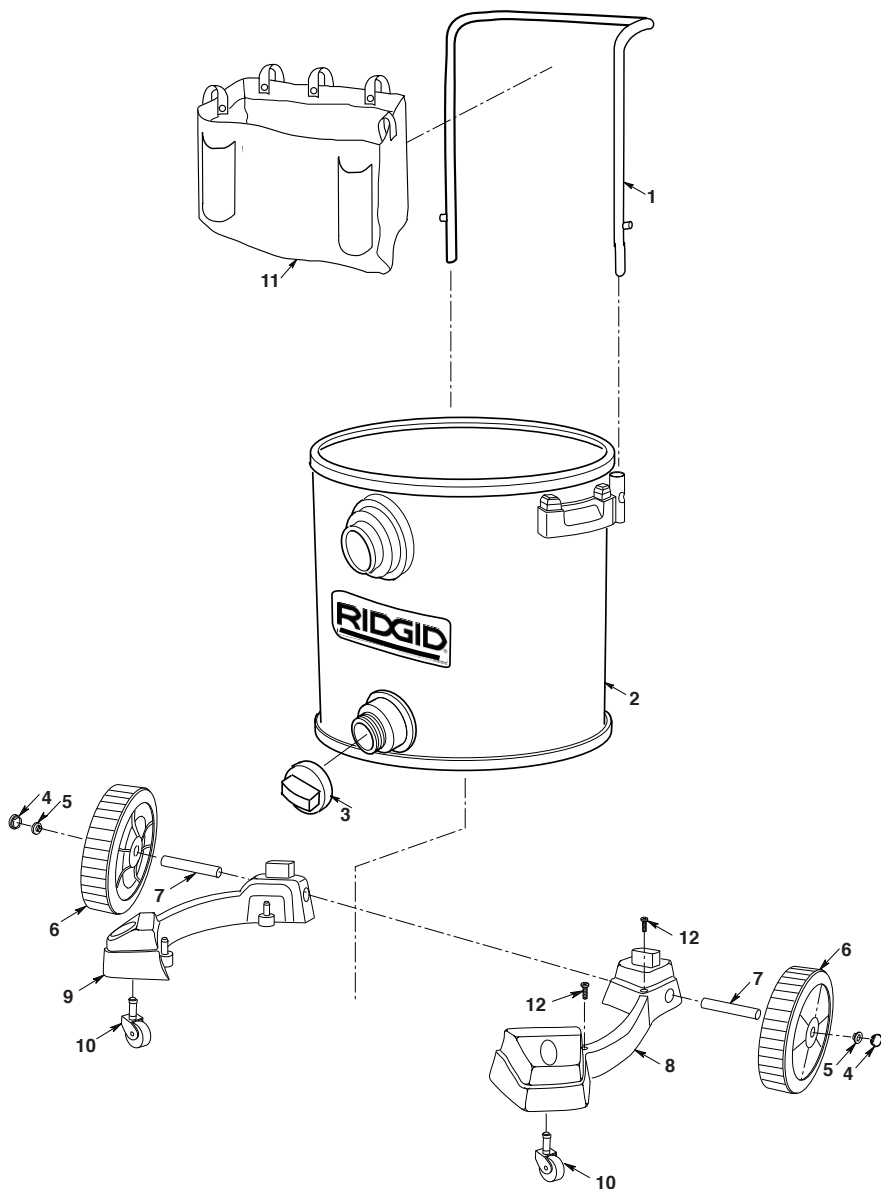
- ▲ ADVERTENCIA: Desenchufe la unidad antes de desmontarla o hacerle servicio de ajustes y reparaciones.**
- ▲ ADVERTENCIA: Todo el desmontaje y todas las reparaciones deberán ser realizados por personal calificado.**

No. de clave	No. de pieza	Descripción
1	830858	Ensamblaje del asa
2	830846	Ensamblaje del tambor para polvo
3	73185	Tapa del drenaje
4	830611	Tapa de rueda
5	813836-1	Tuerca de tapa
6	830598	Ensamblaje de rueda trasera (incluye las claves 4 y 5)
7	831024-1	Eje
8	830841	Base de soporte derecha
9	830840	Base de soporte izquierda
10	73102	Ruedecilla
11	830860-1	Bolsa
12	820563-4	Tornillo tipo "AB" No. 10 x 3/4" (19 mm)
13	509748-3	Bolsa de piezas sueltas (no ilustrada) (incluye las claves 4, 5, 10 y 12)

Piezas de repuesto (continuación)

Aspiradora para mojado/seco profesional de 16 Galones / 60 Litros
Número de modelo WD19560 / WD1956M1

Las piezas RIDGID se encuentran disponibles en línea conectándose a www.RIDGIDparts.com





Símbolo de calidad, durabilidad y confiabilidad

- **Qué está cubierto**

Se garantiza que las aspiradoras para mojado/seco RIDGID® están libres de defectos de fabricación y de materiales.

- **Cuánto dura la cobertura**

Esta garantía dura toda la vida de las aspiradoras para mojado/seco RIDGID®.

- **Cómo puede obtener servicio**

Para obtener el beneficio de esta garantía, envíe el producto completo mediante transporte prepagado a RIDGE TOOL COMPANY, Elyria, Ohio, o a cualquier CENTRO DE SERVICIO INDEPENDIENTE RIDGID®. Las llaves para tubos y otras herramientas de mano deben devolverse al establecimiento de compra.

- **Qué haremos para corregir los problemas**

Las aspiradoras para mojado/seco garantizadas serán reparadas o reemplazadas, a opción de Ridge Tool Company, y serán devueltas sin cargo; o si después de tres intentos de reparar o reemplazar la aspiradora para mojado/seco durante el período de garantía ésta aún presenta defectos, usted puede optar por recibir un reembolso completo de su precio de compra.

- **Qué no está cubierto**

Las averías debidas a uso incorrecto, abuso o desgaste por el uso normal no están cubiertas por esta garantía. **RIDGE TOOL COMPANY NO SERÁ RESPONSABLE DE NINGÚN DAÑO FORTUITO NI EMERGENTE.**

- **Cómo se relaciona la ley local con la garantía**

Algunos estados no permiten la exclusión o limitación de los daños fortuitos o emergentes, por lo que es posible que la limitación o exclusión que antecede no tenga aplicación en su caso. Esta garantía le confiere a usted derechos específicos y es posible que también tenga otros derechos, que varían de un estado a otro, una provincia a otra o un país a otro.

- **Ninguna otra garantía expresa tiene aplicación**

Esta GARANTÍA COMPLETA DE POR VIDA es la garantía única y exclusiva de las aspiradoras para mojado/seco RIDGID®. Ningún empleado, agente, distribuidor u otra persona está autorizado a alterar esta garantía ni a dar ninguna otra garantía en nombre de Ridge Tool Company.

No. de existencias WD1956 / WD1956M

No. de modelo WD19560 / WD1956M1

Número de serie _____

Los números de modelo y de serie pueden encontrarse en el mango. Debe anotar tanto el número de modelo como el de serie en un lugar seguro para uso futuro.

**¿PREGUNTAS O COMENTARIOS? COMUNÍQUESE CON NOSOTROS EN
1-800-4-RIDGID (1-800-474-3443) desde los EE.UU. y Canadá
01-800-701-9811 desde México
www.RIDGIDvacs.com**

Por favor, tenga a mano su número de modelo y número de serie cuando llame.



EMERSON™
www.RIDGID.com

© 2018 Emerson

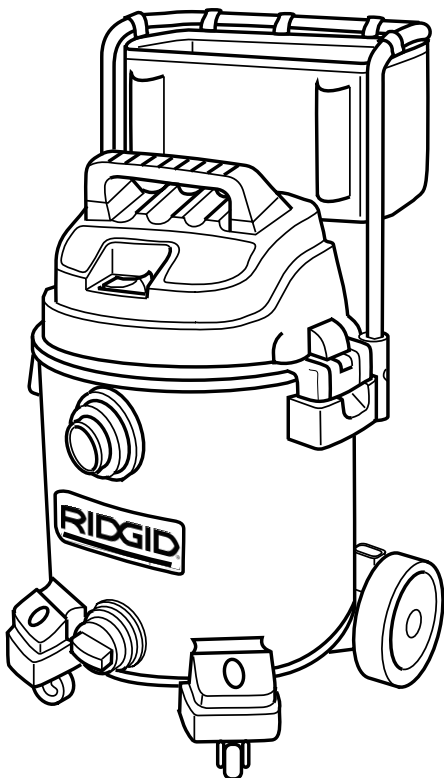
RIDGID®

MODE D'EMPLOI

ASPIRATEUR DE LIQUIDES ET DE
POUSSIÈRES PROFESSIONNEL
16 GALLONS DES ÉTATS-UNIS / 60 Litres

WD19560

WD1956M1



EN CAS DE QUESTIONS OU POUR OBTENIR DES INFORMATIONS,
VEUILLEZ NOUS CONTACTER AU :
1-800-4-RIDGID (1-800-474-3443) OU
www.RIDGIDvacs.com

▲ AVERTISSEMENT :

Pour réduire le risque de blessure, l'utilisateur doit lire et comprendre le mode d'emploi avant d'utiliser ce produit.

Merci d'avoir acheté un produit RIDGID.

• Español - página 21

CONSERVER CE MANUEL POUR RÉFÉRENCE FUTURE

Table des matières

Sujet	Page	Sujet	Page
Introduction	44	Aspiration de liquides	50
Déballage et contrôle du contenu du carton	44	Vidage du tambour	50
Retrait/installation de la poignée en métal	46	Fonction de soufflante	51
Assemblage du tambour/chariot	47	Rangement des accessoires et du tuyau flexible	52
Assemblage de l'aspirateur de liquides et de poussières	48	Entretien	53
Fonctionnement	49	Pièces de rechange	56
Aspiration de matériaux secs	49	Garantie	60

INSTRUCTIONS IMPORTANTES RELATIVES À LA SÉCURITÉ

La sécurité est une combinaison de faire preuve de bon sens, rester vigilant et savoir comment votre aspirateur de liquides et de poussières (« aspirateur ») fonctionne.

Termes de signalisation de questions de sécurité

▲ DANGER : indique une situation dangereuse qui, si elle n'est pas évitée, **causera** la mort ou une blessure grave.

▲ AVERTISSEMENT : indique une situation dangereuse qui, si elle n'est pas évitée, **risque de causer** la mort ou une blessure grave.

▲ MISE EN GARDE : indique une situation dangereuse qui, si elle n'est pas évitée, **pourrait causer** une blessure légère ou modérée.

Prenez toujours des précautions élémentaires, notamment les précautions suivantes, lorsque vous utilisez votre aspirateur de liquides et de poussières :

▲ AVERTISSEMENT

– Pour réduire le risque d'incendie, de choc électrique ou de blessure :

- Lisez et comprenez ce manuel et toutes les étiquettes placées sur l'aspirateur avant de mettre celui-ci en marche.
- N'utilisez l'aspirateur que comme cela est décrit dans ce mode d'emploi.
- Ne laissez pas en marche pendant que vous êtes absent – vous vous risqueriez de manquer des signes importants indiquant un fonctionnement anormal, comme une perte de puissance d'aspiration, la sortie de débris ou de liquides par la bouche de soufflage d'air ou des bruits anormaux en provenance du moteur. Cessez immédiatement d'utiliser l'aspirateur si vous constatez de tels signes.
- Ne laissez pas l'aspirateur sans surveillance quand il est branché dans une prise de courant. Débranchez-le de la prise quand il n'est pas utilisé et avant toute opération de maintenance.
- Des étincelles à l'intérieur du moteur risquent de mettre feu à des vapeurs ou poussières inflammables. Pour réduire le risque d'incendie ou d'explosion : n'utilisez pas à proximité de gaz ou de liquides inflammables ou combustibles, ou de poussières explosives, comme de l'essence automobile ou d'autres fiouls, de l'essence à briquet, des produits de nettoyage, de la peinture à l'huile, du gaz naturel, de la poussière de charbon, de la poussière de magnésium, de la poussière d'aluminium, de la poussière de céréales ou de la poudre noire.
- N'aspirez jamais de matières en train de brûler ou des matières fumigènes, telles que des cigarettes, des allumettes ou des cendres chaudes.
- N'aspirez jamais de poussières de plaques de plâtre, de suie ou de cendres de cheminée froides lorsqu'un filtre pour aspirateur de liquides et de poussières standard. Il s'agit de poussières très fines qui risqueraient d'être projetées à nouveau dans l'air ambiant. Utilisez un filtre à poussières fines à la place.
- Pour réduire le risque d'inhalation de vapeurs toxiques, n'aspirez pas de matériaux toxiques ou dangereux, et n'utilisez pas à proximité de tels matériaux.
- Pour réduire le risque de choc électrique, n'exposez pas à la pluie et empêchez l'entrée de liquides dans le compartiment du moteur. Rangez à l'intérieur.
- Cet aspirateur de liquides et de poussières n'est pas conçu pour emploi par des personnes (y compris des enfants) ayant des capacités physiques, sensorielles ou mentales réduites, ou qui n'ont pas l'expérience ou les connaissances nécessaires, sauf en cas de supervision ou d'instructions sur l'utilisation de cet appareil par une personne responsable de leur sécurité.
- Ne laissez pas les enfants se servir de l'aspirateur comme d'un jouet. Il faut surveiller de très près quand il est utilisé par des enfants ou à proximité d'enfants.
- N'utilisez pas avec un filtre déchiré ou sans avoir installé de filtre, sauf quand vous aspirez des liquides, comme cela est décrit dans ce mode d'emploi. Des débris secs capturés par la roue risquent d'endommager le moteur ou d'être expulsés à nouveau dans l'air ambiant.
- Éteignez l'aspirateur avant de le débrancher.
- Pour réduire le risque de blessure pouvant être causée par une mise en marche accidentelle, débranchez le cordon d'alimentation avant de changer le filtre ou de le nettoyer.

- Ne débranchez pas en tirant sur le cordon. Pour débrancher, saisissez la fiche – pas le cordon.
- N'utilisez pas l'aspirateur avec une fiche, un cordon ou un autre composant endommagé. Si votre aspirateur ne fonctionne pas comme il faut, s'il manque des pièces, s'il quelqu'un l'a laissé tomber, s'il est endommagé, s'il a été laissé à l'extérieur ou s'il est tombé dans de l'eau, téléphonez au service d'assistance à la clientèle.
- Ne tirez pas l'aspirateur et ne le portez pas par son cordon, n'utilisez pas le cordon pour servir de poignée, ne fermez pas une porte sur le cordon et ne laissez pas le cordon tendu passer sur des bords ou des coins tranchants. Ne traînez pas l'aspirateur sur son cordon. Maintenez le cordon à distance des surfaces chauffées.
- Ne touchez pas la fiche, l'interrupteur ou l'aspirateur avec des mains mouillées.
- Utilisez seulement des cordons de rallonge qui sont conçus pour emploi à l'extérieur. Les cordons de rallonge en mauvais état ou trop petits en termes de calibre des fils peuvent poser des risques d'incendie et de choc électrique. Pour réduire le risque de tels dangers, inspectez les cordons pour vous assurer qu'ils sont en bon état et que le liquide n'entre pas en contact avec le raccordement. N'utilisez pas de cordons de rallonge dont les conducteurs ont un calibre inférieur à 16 AWG. Pour réduire la perte d'énergie, utilisez un cordon de rallonge de calibre 14 s'il mesure entre 8 et 15 mètres de long, ou de calibre 12 s'il mesure 15 mètres de long ou plus.
- Cet aspirateur de liquides et de poussières a une double isolation, ce qui élimine le besoin d'un système de mise à la terre séparé. Utilisez seulement des pièces de rechange identiques. Lisez les instructions concernant l'entretien des aspirateurs de liquides et de poussières à double isolation avant toute opération d'entretien.
- Ne mettez aucun objet dans les orifices de ventilation. N'aspirez pas quand de quelconques orifices de ventilation sont obstrués ; assurez-vous que ces orifices ne sont pas bloqués par de la poussière, de la peluche, des cheveux ou de quelconques objets pouvant réduire la circulation de l'air.
- Gardez les cheveux, les vêtements flottants, les doigts et toutes les parties du corps à distance des orifices et des pièces mobiles.
- Pour réduire le risque de chute, faites très attention lorsque vous utilisez l'aspirateur dans des escaliers.
- Pour réduire le risque de vous faire mal au dos ou de tomber, ne soulevez pas un aspirateur qui est lourd en raison de la présence de liquides ou de débris aspirés. Videz partiellement l'aspirateur en écopant ou en purgeant.
- Pour réduire le risque de blessure ou le risque d'endommagement de l'aspirateur, n'utilisez que des accessoires recommandés par RIDGID.
- En cas d'utilisation de l'aspirateur comme soufflante :
 - Ne dirigez la décharge d'air que vers la zone de travail.
 - Ne dirigez pas l'air vers des personnes présentes à proximité.
 - Gardez les enfants à distance lors du fonctionnement de la soufflante.
 - N'utilisez la soufflante que pour souffler des saletés et des débris.
 - N'utilisez pas en guise de pulvérisateur.
- Pour réduire le risque de blessure pour les yeux, portez des lunettes de sécurité. L'utilisation de toute soufflante ou de tout aspirateur utilitaire peut toujours causer la projection de corps étrangers dans les yeux, ce qui risque d'entraîner des blessures graves aux yeux.

MISE EN GARDE :

- Pour réduire le risque de perte auditive, portez des protecteurs d'oreilles lorsque vous vous servez de l'aspirateur pendant plusieurs heures ou quand vous l'utilisez dans un endroit bruyant.
- Portez un masque antipoussières en cas d'utilisation dans un environnement poussiéreux.
- Les décharges statiques sont fréquentes dans les endroits secs ou lorsque l'humidité relative de l'air ambiant est faible. L'aspiration de débris fins avec votre aspirateur peut déposer une charge statique sur le tuyau ou sur l'aspirateur. La meilleure chose à faire pour réduire la fréquence des décharges statiques chez vous ou lorsque vous utilisez cet aspirateur consiste à ajouter de l'humidité dans l'air avec un humidificateur.

Observez les avertissements suivants qui figurent sur le carter du moteur de votre aspirateur :



DOUBLEMENT ISOLÉ.
MISE À LA TERRE NON NÉCESSAIRE.
POUR L'ENTRETIEN, N'UTILISEZ QUE
DES PIÈCES DE RECHANGE IDENTIQUES.

⚠ AVERTISSEMENT: pour votre propre sécurité, lisez et comprenez le manuel de l'opérateur. Ne laissez jamais l'aspirateur en marche sans surveillance. Ne ramassez pas de cendres chaudes, de charbon ou de matières toxiques, inflammables ou dangereuses. N'utilisez pas à proximité de vapeurs ou de liquides explosifs.

⚠ AVERTISSEMENT: pour réduire le risque de choc électrique – n'exposez pas à la pluie – rangez à l'intérieur.

CONSERVER CE MANUEL

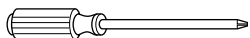
Introduction

Cet aspirateur de liquides et de poussières professionnel est conçu pour un emploi ménager. Il peut être utilisé pour aspirer des matières humides ou sèches, et il peut être utilisé comme soufflante.

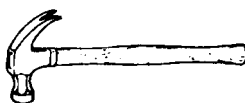
Lisez ce mode d'emploi pour vous familiariser avec les fonctions du produit et pour comprendre les particularités d'utilisation de votre nouvel aspirateur.

Déballage et contrôle du contenu du carton

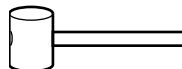
Outils nécessaires



Tournevis à tête cruciforme long



Marteau



Maillet

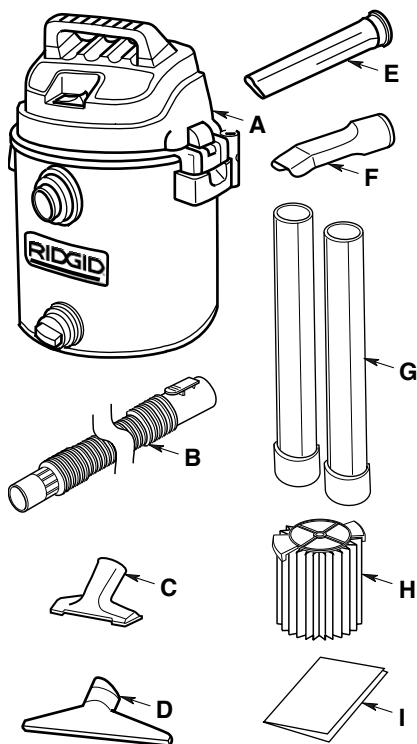
Retirez tous les éléments se trouvant dans la boîte en carton. Inspectez chaque élément en le comparant à la liste incluse dans la boîte en carton. Téléphonez à 1-800-4-RIDGID (1-800-474-3443) ou contactez-nous au info@RIDGIDvac.com si de quelconques éléments sont absents ou endommagés.

Se référer au croquis d'assemblage pour le positionnement des pièces.

Liste du contenu de la boîte en carton

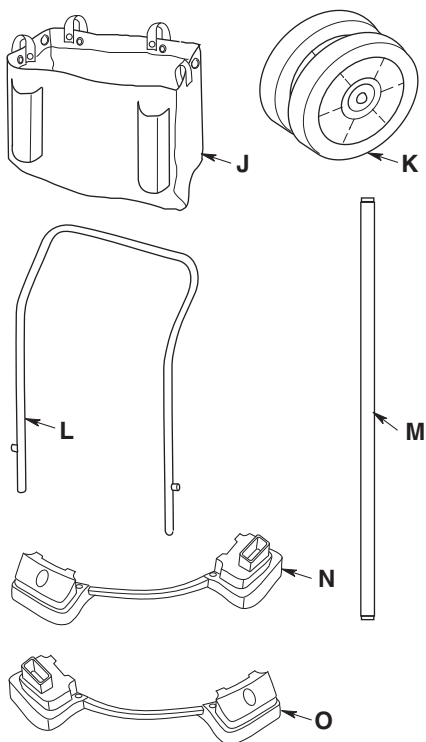
Légende	Description	Qté
A	Ensemble d'aspirateur de liquides et de poussières	1
B	Tuyau flexible verrouillable Dual-Flex™	1
C	Suceur à usages multiples	1
D	Suceur humide	1
E	Suceur plat	1
F	Suceur pour véhicules	1
G	Baguettes de rallonge	2
H*	Filtre Qwik Lock™	1
I	Mode d'emploi	1

*Il se peut que ces éléments soient fournis préassemblés. Si vous ne les trouvez pas dans la boîte en carton, regardez dans l'ensemble moteur de l'aspirateur pour voir s'ils y ont été pré-assemblés.

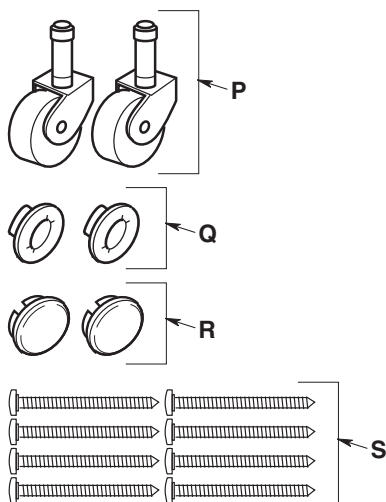


Déballage et contrôle du contenu du carton (suite) —

Légende	Description	Qté
Boîte en carton contenant les pièces suivantes :		
J	Sac de rangement.....	1
K	Roues arrière	2
L	Poignée en métal	1
M	Arbre	1
N	Chariot, côté droit.....	1
O	Chariot, côté gauche.....	1



Légende	Description	Qté
Sachet de pièces détachées –		
Contenant les pièces suivantes :		
P	Roulettes	2
Q	Écrous borgnes.....	2
R	Chapeaux de roue	2
S	Vis de type AB N° 10 x 3/4" (19 mm)	8



Retrait/installation de la poignée en métal

Votre poignée en métal est fournie conditionnée dans le carton dans le sens inversé. Vous devez tirer sur la poignée en métal afin de la faire sortir complètement de l'aspirateur, puis réinstaller la poignée dans le sens correct, la partie recourbée étant orientée dans le sens opposé à celui de l'arrière de l'aspirateur, avant de continuer.

Mise en place de la poignée

Appuyez sur les boutons de déclenchement, et maintenez-les enfoncés, pendant que vous placez la poignée dans les logements de la poignée situés sur le tambour (veuillez vous reporter à l'illustration).

REMARQUE : lorsque vous entendrez un bruit sec provenant des boutons de déclenchement, cela indiquera que la poignée a été correctement engagée.

Abaissement de la poignée en vue du rangement

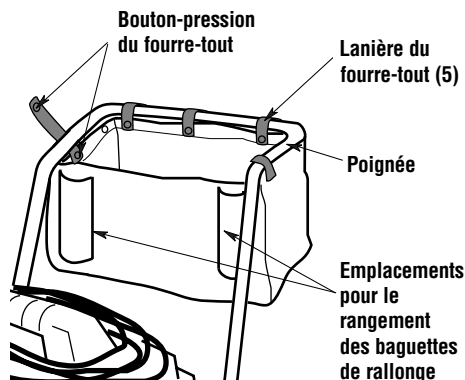
Pour ranger l'aspirateur de liquides et de poussières, appuyez sur les boutons de libération et maintenez-les enfoncés tout en faisant glisser fermement la poignée vers le bas.

Retrait de la poignée

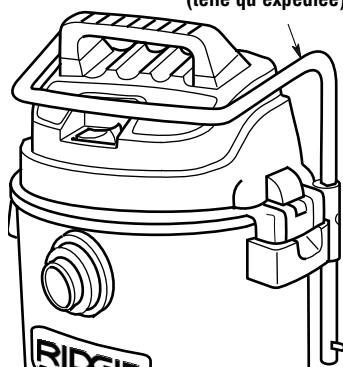
Appuyez sur les boutons de déclenchement, et maintenez-les enfoncés, tel que cela est illustré. Tout en appuyant fermement sur les boutons de déclenchement, tirez la poignée vers le haut afin de la retirer (veuillez vous reporter à l'illustration).

Mise en place du porte-outils

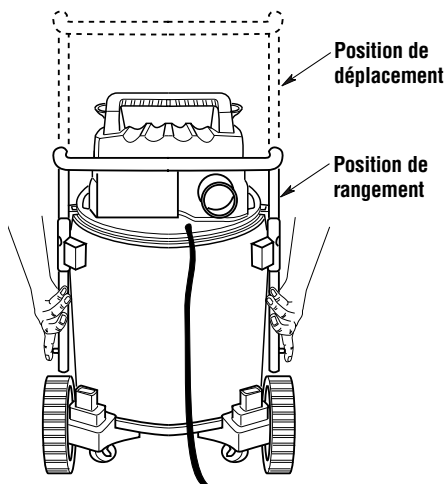
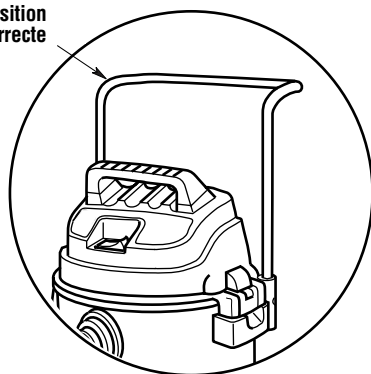
Installez le porte-outils de la façon illustrée, les supports des tiges de rallonge faisant face à l'appareil.



Poignée en métal dans la position inversée (telle qu'expédiée)



Position correcte



Assemblage du tambour/chariot

Veillez contacter le service clientèle si de quelconques pièces sont endommagées ou manquantes.

Ne commencez pas le montage si vous ne disposez pas de toutes les pièces.

1. Mettez le tambour sens dessus dessous pour installer les parties du chariot. Installez l'écrou borgne sur un côté de la tige de l'arbre. Tapotez doucement avec un marteau ou avec un maillet en caoutchouc jusqu'à ce qu'il soit bien en place. Faites glisser l'extrémité de l'arbre à travers la roue (le côté lisse de la roue étant orienté vers l'extérieur).

2. Placez l'ensemble de roue/arbre à travers la partie gauche du chariot et à travers la partie droit du chariot, comme illustré.

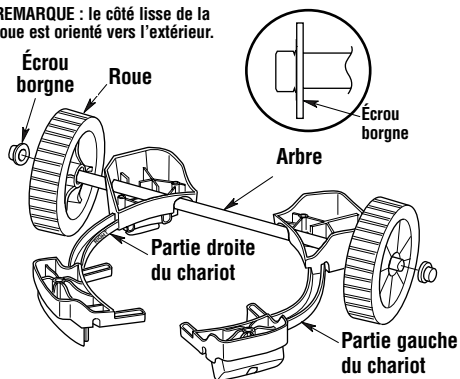
3. Placez ensuite la deuxième roue sur l'ensemble de chariot (le côté lisse de la roue étant orienté vers l'extérieur), et installez le deuxième écrou borgne.

4. Placez l'ensemble de chariot sur le bord du tambour. Alignez les bords intérieurs de la partie gauche et de la partie droite du chariot avec les nervures extérieures surélevées, qui sont situées à l'arrière du tambour. Assurez-vous que les roues tournent librement et n'entrent pas en contact avec de quelconques parties du chariot. Si les roues entrent en contact avec une partie du chariot, déplacez le chariot légèrement vers l'intérieur.

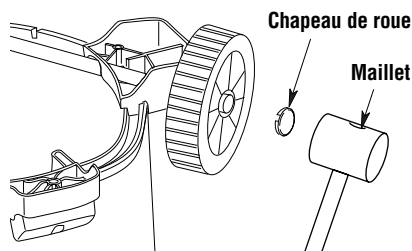
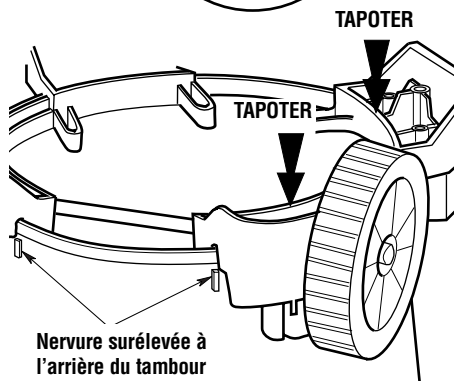
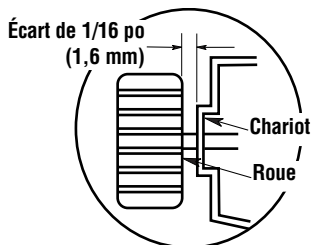
5. Une fois que les deux parties du chariot sont alignées avec les nervures surélevées à l'arrière du tambour, tapotez légèrement sur l'arrière de chaque partie du chariot jusqu'à ce qu'elle soit bien en place. Il est recommandé de tapoter sur la section centrale de chaque partie arrière du chariot. Une fois que les sections de l'arrière du chariot sont fermement en place, tapotez sur la section avant de chaque partie du chariot jusqu'à ce qu'elle soit bien en place. Il est recommandé de tapoter sur la section centrale de chaque partie avant du chariot comme illustré.

6. En utilisant un marteau ou un maillet en caoutchouc, tapotez doucement sur les chapeaux de roue de chaque roue jusqu'à ce que ces chapeaux de roue soient bien en place sur chaque roue. Ceci est nécessaire à la fois du côté gauche et du côté droit du chariot.

REMARQUE : le côté lisse de la roue est orienté vers l'extérieur.

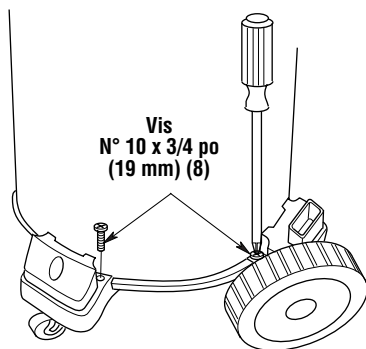
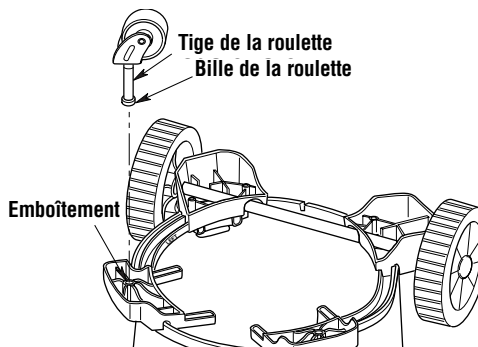


ASSEMBLAGE DU CHARIOT



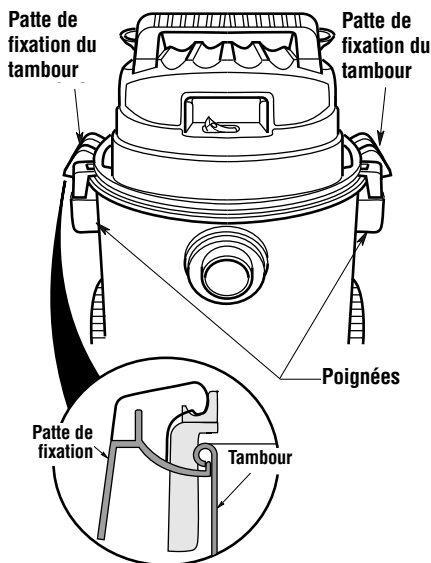
Assemblage du tambour/chariot (suite)

7. Insérez la tige de la roulette dans l'emboîtement du pied de la roulette tel que cela est illustré (roulette avant seulement).
8. Poussez sur la roulette jusqu'à ce que la bille située sur la tige de la roulette soit insérée à fond dans l'emboîtement. Vous pourrez entendre un bruit sec lorsque la bille s'encastrera dans l'emboîtement, et la roulette pivotera facilement une fois que le positionnement aura bien été effectué.
9. Faites tourner l'ensemble de tambour/chariot en position verticale, et, en utilisant un tournevis cruciforme long, installez (8) vis N° 10 x 3/4 po (19 mm) dans les orifices prévus à cet effet dans les parties gauche et droite du chariot. Serrez les vis, mais pas à fond. Si vous les serriez excessivement, ceci risquerait de déformer le chariot.



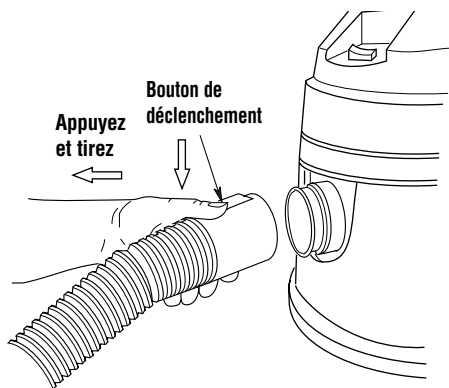
Assemblage de l'aspirateur de liquides et de poussières

1. Positionnez l'ensemble d'élément moteur sur l'ensemble de tambour/chariot tel que cela est illustré (déjà assemblé au cours d'une étape précédente).
2. Faites pivoter les deux pattes de fixation vers le bas et appuyez jusqu'à ce qu'elles s'encliquettent sur les rebords du tambour (vous entendrez un bruit sec).



Insertion du tuyau

Insérez l'extrémité du bouton-poussoir du tuyau flexible « verrouillable Dual-Flex™ » dans l'orifice d'admission de l'aspirateur. Le tuyau devrait se mettre en place avec un bruit sec. Pour retirer le tuyau de l'aspirateur, appuyez sur le bouton de déclenchement sur le tuyau et tirez sur le tuyau jusqu'à ce qu'il sorte de l'orifice d'aspiration de l'appareil, tel que cela est illustré.



Fonctionnement

▲ AVERTISSEMENT : pour réduire le risque d'incendie, d'explosion ou d'endommagement de l'aspirateur :



- Ne laissez pas en marche pendant que vous êtes absent – vous vous risqueriez de manquer des signes importants indiquant un fonctionnement anormal, comme une perte de puissance d'aspiration, la sortie de débris ou de liquides par la bouche de soufflage d'air ou des bruits anormaux en provenance du moteur. Cessez immédiatement d'utiliser l'aspirateur si vous constatez de tels signes.
- Ne laissez pas l'aspirateur branché lorsque vous ne l'utilisez pas.
- Ne continuez pas à utiliser l'aspirateur lorsque le flotteur a coupé l'aspiration.
- Les étincelles à l'intérieur du moteur risqueraient de mettre feu à des matières inflammables en suspension dans l'air. Ne pas utiliser l'aspirateur à proximité de liquides inflammables ou à des endroits où il y a des gaz ou des vapeurs inflammables, ou de la poussière explosive dans l'air. Les liquides, gaz et vapeurs inflammables comprennent : essence à briquet, produits de nettoyage du type solvant, peinture à base d'huile, essence, alcool et aérosols. Types de poussières explosives : charbon, magnésium, aluminium, céréales et poudre noire.
- N'aspirez pas de poussières explosives, de liquides inflammables ou de cendres chaudes.

▲ AVERTISSEMENT : pour réduire le risque de choc électrique ou de blessure :

- N'exposez pas à la pluie, et ne laissez pas de liquides pénétrer dans le compartiment du moteur. Rangez à l'intérieur.
- Ne touchez pas la fiche de branchement, l'interrupteur ou l'aspirateur si vous avez les mains mouillées.
- Débrancher l'aspirateur avant d'effectuer une quelconque opération de maintenance. Si votre aspirateur ne fonctionne pas comme il devrait, s'il est tombé par terre, s'il est tombé par terre ou a été endommagé, s'il a été laissé à l'extérieur ou s'il est tombé dans de l'eau, rappez-le à un centre de service après-vente agréé ou téléphonez au service à la clientèle.
- Lorsque vous utilisez un cordon de rallonge, n'utilisez qu'un cordon prévu pour emploi à l'extérieur et en bon état. Ne laissez pas la connexion entrer en contact avec des liquides.

Pour réduire le risque de choc électrique, cet appareil est muni d'une fiche polarisée (une lame est plus large que l'autre). La fiche n'entrera dans une prise polarisée que d'une seule manière. Inverser la fiche si elle n'entre pas complètement dans la prise. Si elle n'entre toujours pas, prendre contact avec un électricien qualifié pour installer une prise de courant appropriée. Ne pas altérer la fiche de quelque manière que ce soit.

Après avoir branché le cordon d'alimentation dans la prise de courant, mettez l'appareil sous tension en appuyant sur l'interrupteur pour le faire passer de la position « 0 » à la position « I ». Les deux symboles internationaux qui figurent sur l'interrupteur indiquent, respectivement, la position de marche et la position d'arrêt de votre aspirateur

 = ARRÊT |  = MARCHÉ

Il faut bien se familiariser avec les accessoires qui ont été inclus avec cet aspirateur. Chaque accessoire peut être utilisé de façons multiples pour l'aspiration ou le soufflage de débris. Voici une liste des accessoires et des divers moyens de les utiliser :

Suceur à usages multiples – Suceur d'utilité générale servant à la plupart des applications de nettoyage avec un aspirateur.

Suceur humide – Utilisé pour aspirer des liquides répandus sur une surface lisse et sécher cette surface en une seule action.

Suceur pour véhicules – Suceur pour aspirer les matériaux secs lors du nettoyage des intérieurs et de la plupart des garnitures de véhicules.

Baguettes de rallonge – Ces baguettes peuvent être connectées ensemble et fournir une longueur supplémentaire pour atteindre des endroits plus éloignés.

Tuyau flexible verrouillable Dual-Flex™ – Permet de transférer la capacité d'aspirer ou de souffler sur le site de travail. Fournit le moyen de connecter des baguettes de rallonge et des suceurs.

Suceur plat – Utilisé pour aspirer des débris dans des endroits difficiles à atteindre.

Fonctionnement (suite)

Aspiration de matériaux secs

1. Le filtre doit toujours être dans la position correcte afin de réduire le risque de fuites et d'endommagement de l'aspirateur.
2. Votre aspirateur de liquides et de poussières est fourni avec un filtre VF5000 installé. Lors de l'utilisation de l'aspirateur pour ramasser des poussières très fines, il sera nécessaire de vider le tambour et de nettoyer le filtre à intervalles plus fréquents afin de continuer à bénéficier de la performance maximale de l'aspirateur.

REMARQUE : un filtre sec est nécessaire pour ramasser des matériaux secs. Si l'aspirateur est employé pour ramasser de la poussière alors que le filtre est humide, le filtre se bouchera très vite et il sera ensuite très difficile à nettoyer. Laissez le filtre sécher complètement avant de le ranger.

Aspiration de liquides

IMPORTANT :

1. Lorsque vous aspirez de faibles volumes de liquides (de 2 à 4 po de liquide au fond du tambour), il n'est pas nécessaire de retirer le filtre.
2. Lorsque vous aspirez de grands volumes de liquides (plus de 4 po de liquide au fond du tambour), il est recommandé de retirer le filtre. Si le filtre n'est pas retiré, il se saturera et de la buée apparaîtra dans l'échappement.

⚠ AVERTISSEMENT : ne faites pas fonctionner sans la cage du filtre et le flotteur étant donné qu'ils empêchent l'entrée de liquide dans la roue et protègent ainsi le moteur contre les dommages pouvant en résulter.

3. Après que l'aspirateur aura été utilisé pour aspirer des liquides, il faudra sécher le filtre pour réduire le risque de la formation possible de moisissures et pour ne pas endommager le filtre.
4. Lorsque le liquide aspiré atteint un niveau prédéterminé dans le tambour, le flotteur s'élèvera automatiquement afin de couper la circulation de l'air. Lorsque ceci se produit, fermer l'aspirateur, débrancher le cordon électrique et vider le tambour. L'élévation du niveau du flotteur se remarque parce qu'elle correspond à l'arrêt de la circulation de l'air à l'intérieur de l'aspirateur et parce que le bruit du moteur devient alors plus aigu en raison de l'accélération de sa vitesse.

IMPORTANT : pour réduire le risque d'endommager l'aspirateur, il ne faut pas faire fonctionner le moteur pendant que le flotteur est en position élevée.

Vidage du tambour

⚠ AVERTISSEMENT : pour réduire le risque de blessure en raison d'une mise en marche accidentelle, débrancher le cordon électrique avant de vider le tambour.

1. Cet aspirateur est équipé d'un drain permettant d'évacuer facilement les liquides. Il suffit de dévisser le capuchon du drain et de soulever le côté opposé de l'aspirateur pour l'incliner légèrement afin de vider le tambour.
2. Une autre option possible consiste à retirer l'ensemble d'élément moteur.
3. Posez l'ensemble d'élément moteur sur le côté sur une surface propre tout en vidant le tambour.
4. Jetez le contenu du tambour dans une poubelle appropriée.

⚠ AVERTISSEMENT : pour réduire le risque de chute ou de blessure au dos il ne faut pas soulever un aspirateur plein de liquide ou de débris. Ramasser ou drainer suffisamment du contenu hors de l'aspirateur afin de rendre l'aspirateur assez léger pour le soulever confortablement.

Transport de l'aspirateur de liquides et de poussières

Si vous avez besoin de soulever l'aspirateur pour le déplacer, vous pouvez utiliser les poignées situées sur les côtés du tambour à poussière qui ont été conçues à cet effet. Utilisez la poignée de poussée et de tirage située sur l'élément moteur de l'appareil pour manoeuvrer l'aspirateur.

Fonctionnement (suite)

Fonction de soufflante

Votre aspirateur est muni d'un orifice de soufflante qui permet de chasser de la sciure ou d'autres débris.

Veillez réaliser les étapes suivantes pour utiliser votre aspirateur comme une soufflante.

⚠ AVERTISSEMENT : il faut toujours porter des lunettes de protection conformes à la norme ANSI Z87.1 (ou, au Canada, ACNOR Z94.3) avant de se servir de l'aspirateur comme une soufflerie.

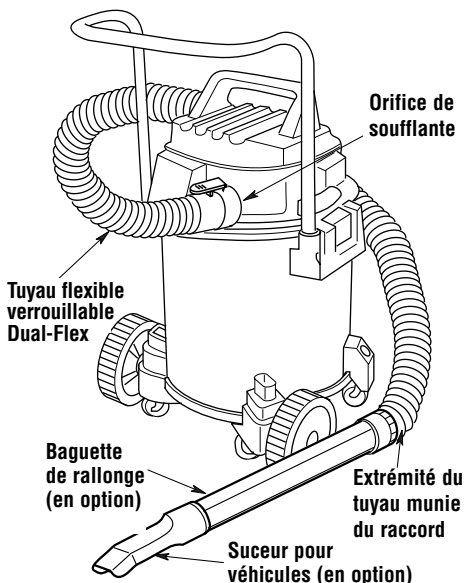
⚠ AVERTISSEMENT : pour ne pas risquer de causer des blessures à d'autres personnes, il est recommandé de leur demander de rester à distance suffisante des débris soufflés.

⚠ MISE EN GARDE : portez un masque anti-poussière si votre soufflage crée de la poussière qui pourrait être aspirée.

⚠ MISE EN GARDE : pour réduire le risque d'endommagement de l'ouïe, portez des protecteurs d'oreilles quand vous utilisez l'aspirateur/la soufflante pendant de longues périodes ou quand vous l'utilisez dans un environnement bruyant.

1. Localisez l'orifice de soufflante sur votre aspirateur.
2. Insérez l'extrémité verrouillable du tuyau flexible verrouillable Dual-Flex à l'intérieur de l'orifice de soufflante de l'aspirateur. Le tuyau devrait se mettre en place d'un coup sec. Pour retirer le tuyau de l'aspirateur, appuyez sur le bouton de déclenchement sur l'ensemble de tuyau et sortez le tuyau de l'entrée d'aspiration en tirant.

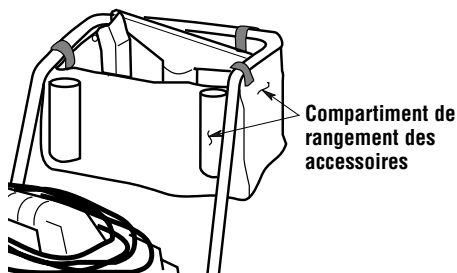
3. (Optionnel) Fixez la baguette de rallonge sur l'extrémité opposée du tuyau, puis placez le suceur pour véhicules sur la baguette.
4. Après avoir mis l'aspirateur sous tension, vous serez prêt à l'utiliser comme une soufflante.



Rangement des accessoires et du tuyau flexible —

Rangement des accessoires

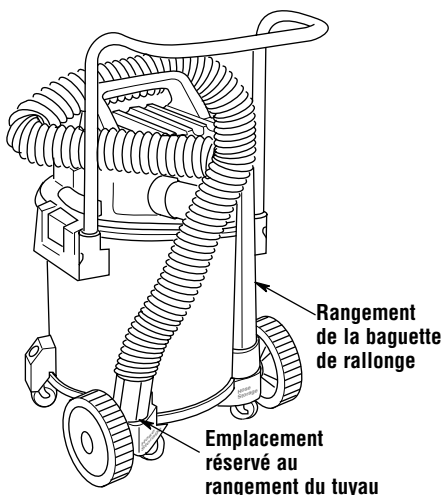
Vous pouvez ranger vos accessoires dans le fourre-tout amovible, ou dans les deux compartiments du chariot (droit ou gauche).



Rangement du tuyau flexible

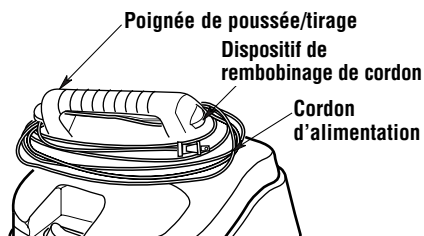
Il est possible de ranger soit le tuyau flexible, soit les tubes de rallonge rigides dans les deux endroits marqué « Hose Storage ».

Vous pouvez ranger le tuyau en l'enroulant autour de l'appareil et en plaçant son extrémité libre dans l'un des deux emplacements réservés au rangement sur l'ensemble de chariot. Les tubes de rallonge rigides peuvent aussi être rangés à cet endroit en insérant l'un quelconque des bouts de ces tubes dans les récepteurs de rangement situés sur le chariot.



Enroulement du cordon

Après avoir passé l'aspirateur, débranchez le cordon et enroulez-le autour de l'élément moteur, tel que cela est illustré. Le cordon doit s'enrouler sous la poignée de tirage (au dessus de la rainure), et autour et en dessous du dispositif de rembobinage de cordon situé sur le capot du moteur.



Filter

⚠ AVERTISSEMENT : pour réduire le risque de blessure en raison d'une mise en marche accidentelle, débrancher le cordon électrique avant de remplacer le filtre ou de le nettoyer.

REMARQUE : le filtre est fait de papier de qualité élevée conçu pour intercepter les très petites particules de poussière. Le filtre peut être utilisé pour le ramassage de matière sèches ou de petits volumes de liquides. Manipuler le filtre avec précaution lors de son nettoyage ou de son installation. Les plis du filtre peuvent être froissés pendant l'installation, mais cela n'aura aucune influence sur la performance du filtre.

Retrait et installation du filtre Qwik Lock™

Retrait du filtre :

1. Saisissez les deux languettes du filtre Qwik Lock™ une dans chaque main.
2. Placez un pouce sur le goujon Qwik Lock™, qui dépasse de la plaque de filtre intégrée, tirez sur les languettes du filtre et appuyez en même temps sur le goujon.
3. Cette action aura pour effet que le filtre sera relâché de la cage du filtre. Faites glisser le filtre pour le sortir de la cage.

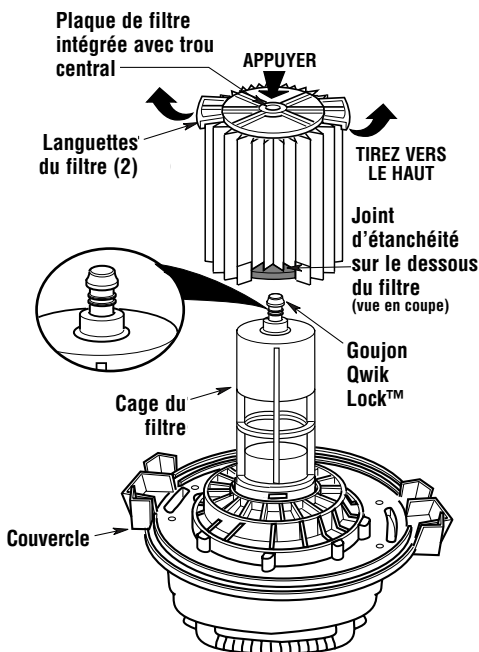
IMPORTANT : pour éviter d'endommager le moteur et la roue de la soufflerie, toujours réinstaller le filtre avant d'utiliser l'aspirateur pour ramasser des matériaux secs.

Installation du filtre :

1. Faites glisser délicatement le filtre Qwik Lock™ par-dessus la cage du filtre et appuyez sur le bord extérieur du filtre jusqu'à ce que le joint d'étanchéité en caoutchouc sur le dessous du filtre soit solidement installé autour de la base de la cage du filtre et contre le couvercle.
2. Alignez le petit trou central sur le dessus du filtre au-dessus du goujon Qwik Lock™ sur la cage du filtre. Appuyez fermement sur le dessus du filtre, à proximité du goujon, pour permettre au filtre de s'emboîter sur l'embout sphérique du goujon. Le filtre est maintenant installé.

REMARQUE : si vous n'installez pas correctement le joint d'étanchéité du dessous, il est possible que des débris passent à côté du filtre.

⚠ AVERTISSEMENT : ne faites pas fonctionner sans la cage du filtre et le flotteur étant donné qu'ils empêchent l'entrée de liquide dans la roue et protègent ainsi le moteur contre les dommages pouvant en résulter.



Entretien (suite)

Nettoyage du filtre

Il faut nettoyer souvent le filtre pour ne pas affecter la performance optimale de l'aspirateur.

Nettoyage d'un filtre sec

1. Il est possible de retirer certains débris secs sans qu'il soit nécessaire de faire sortir le filtre de l'aspirateur. Tapez avec la main sur le dessus du couvercle pendant que l'aspirateur est hors tension.
2. Pour obtenir les meilleurs résultats lors du nettoyage d'un filtre sur lequel des poussières se sont accumulées, nettoyer le filtre dans un endroit ouvert. Le nettoyage doit être effectué à l'extérieur. Il ne doit pas être fait à l'intérieur d'une résidence.
3. Après avoir retiré le filtre de l'aspirateur, retirer les débris secs en secouant doucement le filtre contre la paroi intérieure de votre tambour à poussière. Les débris se détacheront et tomberont.
4. Pour effectuer un nettoyage complet du filtre sec lorsqu'il est couvert de particules très fines (pas de débris), faire couler de l'eau à travers le filtre tel qu'indiqué sous la rubrique « Nettoyage d'un filtre humide ».

Nettoyage d'un filtre humide

Une fois le filtre retiré, faites couler de l'eau au travers du filtre à l'aide d'un tuyau d'arrosage ou d'un robinet. Veillez à ce que la pression de l'eau sortant du tuyau d'arrosage ne soit pas si forte qu'elle pourrait endommager le filtre.

IMPORTANT : inspecter le filtre après le nettoyage pour s'assurer qu'il n'est pas déchiré ou troué. Ne pas utiliser un filtre déchiré ou troué. Même un petit trou peut permettre à beaucoup de poussière de sortir de l'aspirateur. Remplacez votre filtre immédiatement s'il est endommagé ou usé.

Sécher toujours le filtre avant de le ranger ou de ramasser des débris secs.

Nettoyage et désinfection de l'aspirateur de liquides et de poussières

Pour conserver l'esthétique optimale de votre aspirateur de poussières et de liquides, nettoyez la surface extérieure de l'aspirateur à l'aide d'un chiffon imbibé d'eau tiède savonneuse.

Procédure de nettoyage du tambour :

1. Vider les débris.
2. Nettoyez soigneusement le tambour à poussière à l'aide d'un savon doux et d'eau tiède.
3. Essuyer avec un chiffon sec.

Avant de ranger l'aspirateur pour une période prolongée, ou dans les cas nécessaires (par exemple après l'aspiration d'eaux usées), vous devez désinfecter le tambour.

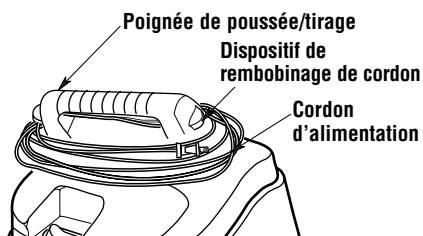
Pour désinfecter le tambour :

1. Versez un gallon (presque 4 Litres) d'eau et une cuillerée (5 mL) à thé de produit à blanchir à l'eau de javel dans le tambour.
2. Laissez la solution agir pendant 20 minutes, en remuant doucement de temps à autre pour vous assurer que toutes les surfaces du tambour restent humides.
3. Videz le tambour au bout de 20 minutes. Rincez à l'eau jusqu'à ce que l'odeur d'eau de javel ait disparu. Laissez sécher le tambour complètement avant de sceller le moteur sur le tambour.

Entretien (suite)

Entretien du cordon d'alimentation

Une fois votre travail d'aspiration terminé, débranchez le cordon d'alimentation et enroulez-le autour du couvercle du moteur. Si le cordon est endommagé, il doit être remplacé par le fabricant ou son représentant, ou par une autre personne ayant les compétences techniques nécessaires, afin de réduire le risque d'accident.



Rangement

Avant de ranger votre aspirateur, vous devez vider et nettoyer le tambour. Vous devez également enrouler le cordon d'alimentation autour de l'appareil et ranger le tuyau tel que cela décrit dans le présent mode d'emploi. Vous devez garder les accessoires au même endroit que l'aspirateur de façon à pouvoir y accéder facilement. Vous devez ranger l'aspirateur à l'intérieur d'un bâtiment.

Roulettes et roues

Si le chariot commence à grincer ou s'il devient difficile de le faire rouler, appliquer deux ou trois gouttes d'huile universelle sur chaque roue au niveau de l'essieu.

Si les roulettes font du bruit, appliquer une goutte d'huile sur l'arbre pour les rendre silencieuses.

Cadre et poignées

La poignée en métal est peinte pour la protéger contre la rouille. Toutefois, il faut en retirer les liquides et les débris corrosifs en contact avec la poignée avec un chiffon non abrasif.

▲ AVERTISSEMENT : Pour assurer la SÉCURITÉ et la FIABILITÉ des produits, toutes les autres opérations d'entretien, de réparation et de réglage doivent être effectuées par des centres de service après-vente agréés, en utilisant toujours des pièces de rechange RIDGID.

Pièces de rechange

Aspirateur de liquides et de poussières professionnel de 16 Gallons / 60 Litres
N° de modèle : WD19560 / WD1956M1

Caractéristiques électriques nominales :
120 V, 12 A, 60 Hz

Les pièces RIDGID sont disponibles sur notre site Web à l'adresse suivante : www.RIDGIDparts.com

Pour commander, utiliser toujours le numéro de pièce – pas le numéro de légende

- ▲ AVERTISSEMENT : Débrancher avant de démonter ou de réparer.**
- ▲ AVERTISSEMENT : Toutes les opérations de démontage et de réparation doivent être effectuées par des techniciens compétents.**

Légende N°	Pièce N°	Description
1	830564	Actionneur d'interrupteur (WD19560 seulement)
2	813213	Interrupteur à bascule (WD19560 seulement)
2	510553	Interrupteur à bascule (WD1956M1 seulement)
3	832786	Ensemble de bloc-moteur (comprend les articles 5 & 6) (WD19560 seulement)
4	830847	Verrou du couvercle
5	509488	Flotteur
6	823201-3	Cage du filtre
7	VF5000	† Filtre à poussières fines Qwik Lock™
8	VT2509	† Suceur à usages multiples
9	VT2503	† Suceur pour véhicules
10	VT2510	† Suceur humide
11	VT2502	† Suceur plat
12	826356-5	† Tuyau flexible verrouillable Dual-Flex™
13	VT2508	† Rallonge de poignée
14	SP6731	Mode d'emploi

† Ces pièces de rechange sont en vente partout où des aspirateurs de liquides et de poussières RIDGID sont en vente.


Pièces de rechange (suite)

Aspirateur de liquides et de poussières professionnel de 16 Gallons / 60 Litres
N° de modèle : WD19560 / WD1956M1

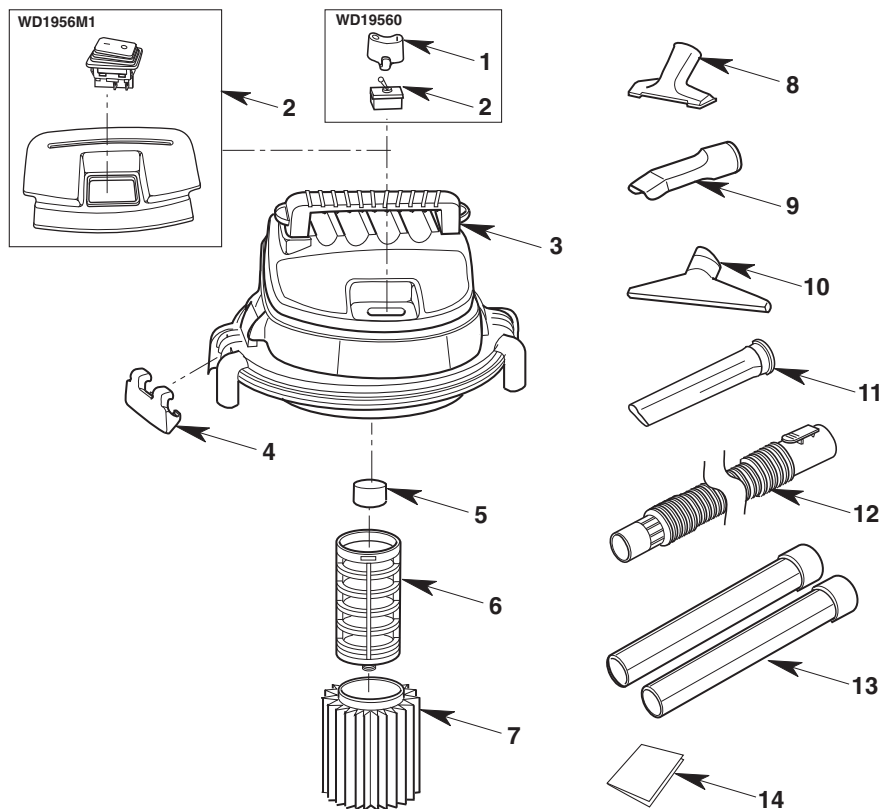
Les pièces RIDGID sont disponibles sur notre site Web à l'adresse suivante : www.RIDGIDparts.com

▲ AVERTISSEMENT

RÉPARATION DE L'ASPIRATEUR DE LIQUIDES ET DE POUSSIÈRES DOUBLEMENT ISOLÉ

Dans un aspirateur de liquides et de poussières doublement isolé, deux systèmes d'isolation sont fournis au lieu de la mise à la terre. Aucun moyen de mise à la terre n'est prévu sur un appareil électro-ménager doublement isolé, et il ne faut pas en ajouter. La réparation d'un aspirateur de liquides et de poussières doublement isolé nécessite une connaissance approfondie du système et la prise de précautions extrêmes. Une telle réparation ne doit être entreprise que par un technicien agréé. Les pièces de rechange pour un aspirateur de liquides et de poussières doublement isolé doivent être les mêmes que les pièces qu'elles remplacent. Les mots « DOUBLE INSULATED » (Doublement isolé) figurent sur l'aspirateur de liquides et de poussières doublement isolé, et le symbole  (un carré à l'intérieur d'un autre carré) peut également figurer sur les appareils.

Pour réduire le risque de blessures causées par les chocs électriques, débranchez le cordon d'alimentation avant de réparer les éléments électriques de l'aspirateur de liquides et de poussières.



Pièces de rechange (suite)

Aspirateur de liquides et de poussières professionnel de 16 Gallons / 60 Litres
N° de modèle : WD19560 / WD1956M1

Les pièces RIDGID sont disponibles sur notre site Web à l'adresse suivante : www.RIDGIDparts.com

Pour commander, utiliser toujours le numéro de pièce – pas le numéro de légende

▲ AVERTISSEMENT : Débrancher avant de démonter ou de réparer.

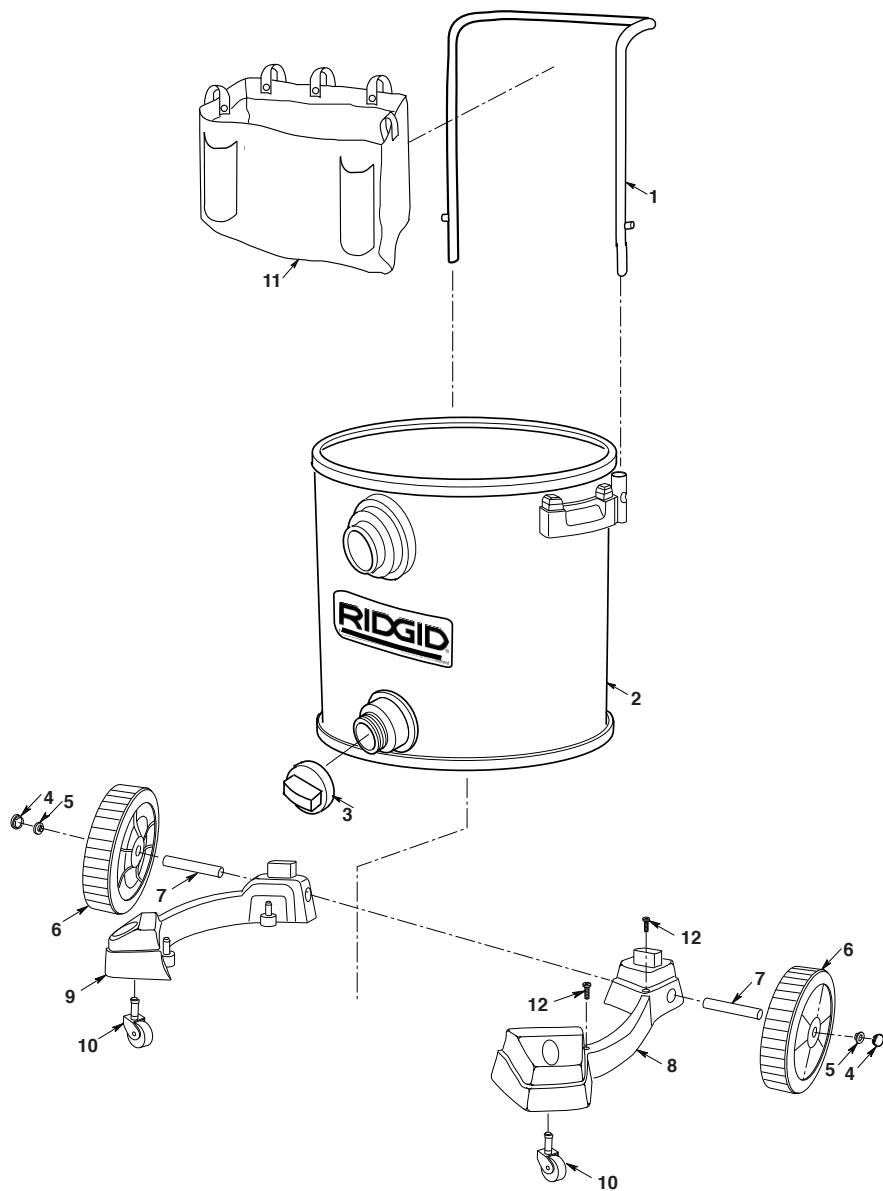
▲ AVERTISSEMENT : Toutes les opérations de démontage et de réparation doivent être effectuées par des techniciens compétents.

Légende N°	Pièce N°	Description
1	830858	Ensemble de poignée
2	830846	Ensemble de tambour à poussière
3	73185	Capuchon de drain
4	830611	Chapeau de roue
5	813836-1	Écrou borgne
6	830598	Ensemble de roues arrière (comprend les légendes n° 4 et 5)
7	831024-1	Arbre
8	830841	Chariot, côté droit
9	830840	Chariot, côté gauche
10	73102	Roulette
11	830860-1	Fourre-tout
12	820563-4	Vis de type « AB », n° 10 x 3/4" (19 mm)
13	509748-3	Sac de pièces détachées (n'est pas illustré) (comprend les légendes n° 4, 5, 10 et 12)

Pièces de rechange (suite)

Aspirateur de liquides et de poussières professionnel de 16 Gallons / 60 Litres
N° de modèle : WD19560 / WD1956M1

Les pièces RIDGID sont disponibles sur notre site Web à l'adresse suivante : www.RIDGIDparts.com





Symbole de qualité, de durabilité et de fiabilité

- **Ce qui est couvert par la garantie**

Les aspirateurs de liquides et de poussières RIDGID® sont garantis sans défauts de matériau ou de façon.

- **Durée de la garantie**

Cette garantie est valable pendant toute la durée de vie de l'aspirateur de liquides et de poussières RIDGID®.

- **Le service après-vente**

Pour tirer parti de cette garantie, le produit complet doit être renvoyé en port payé à RIDGE TOOL COMPANY, Elyria, Ohio ou bien à un quelconque CENTRE DE SERVICE APRÈS-VENTE RIDGID® AGRÉÉ. Les clés à tube et autres outils à main devront être renvoyés au point de vente où ils ont été achetés.

- **Les mesures de rectification des problèmes**

Les aspirateurs de liquides et de poussières sous garantie seront réparés ou remplacés, au choix de Ridge Tool Company, et ils vous seront renvoyés gratuitement; ou, si au bout de trois tentatives de réparation ou de remplacement pendant la période de garantie, l'aspirateur de liquides et de poussières est toujours défectueux, vous pourrez demander à obtenir un remboursement intégral de votre prix d'achat.

- **Ce qui n'est pas couvert par la garantie**

Les défaillances causées par une utilisation abusive ou non conforme aux instructions, ou par l'usure ordinaire, ne sont pas couvertes par cette garantie. **RIDGE TOOL COMPANY N'EST RESPONSABLE D'AUCUN DOMMAGE SECONDAIRE OU INDIRECT.**

- **Effet des lois locales sur cette garantie**

Au Canada, certaines provinces ne permettent peut-être pas l'exclusion ou la limitation des dommages secondaires ou indirects; par conséquent, il est possible que l'exclusion ou la limitation susmentionnée ne s'applique pas à vous. Cette garantie vous confère des droits contractuels spécifiques, et vous disposez peut-être d'autres droits qui peuvent varier d'une province à l'autre.

- **Aucune autre garantie expresse ne s'applique**

La présente GARANTIE À VIE COMPLÈTE est la garantie unique et exclusive concernant les produits RIDGID®. Aucun salarié, agent, distributeur ou autre n'est autorisé à modifier cette garantie ou à offrir une quelconque autre garantie de la part de Ridge Tool Company.

Stock N° WD1956 ou WD1956M

Numéros de modèle WD19560 ou WD1956M1

Numéro de série _____

Le numéro du modèle et le numéro de série sont indiqués à l'arrière de l'ensemble d'électrobrosse. Il est recommandé d'inscrire ces deux numéros en lieu sûr pour référence future.

**EN CAS DE QUESTIONS OU POUR OBTENIR DES INFORMATIONS,
VEUILLEZ NOUS CONTACTER AU :**

**1-800-4-RIDGID (1-800-474-3443) depuis les États-Unis et le Canada
01-800-701-9811 depuis le Mexique**

www.RIDGIDvacs.com

Prière d'avoir votre numéro de modèle ainsi que votre numéro de série à portée de la main avant de nous appeler.



EMERSON™
www.RIDGID.com

© 2018 Emerson

Pièce N° SP6731F

Imprimé N° SP6731F-6

Imprimé au Mexique 02/18