

BATHROOM EXHAUST FANS

OPERATION INSTRUCTIONS AND PARTS MANUAL
READ AND SAVE THESE INSTRUCTIONS

150CFM SKU: BV-BF-03

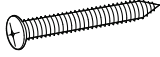
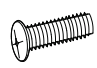


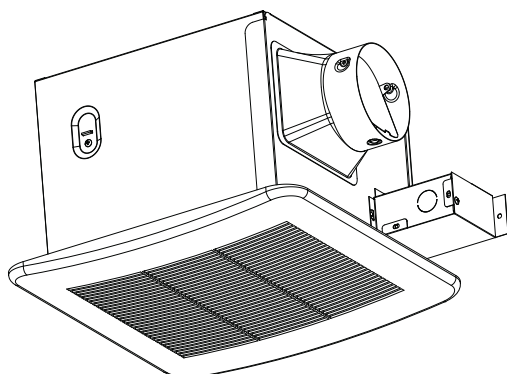
General safety information and warnings

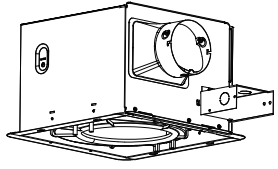
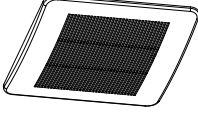
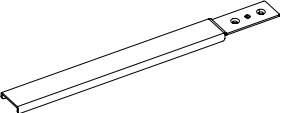
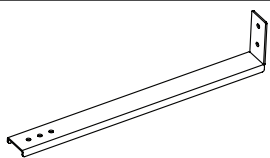
1. Electric service supply must be 120 V 60 Hz
2. Follow all local building, safety and electrical codes as well as NEC(National Electrical Code) and OSHA(Occupational Safety and Health Act).
3. This unit must be properly grounded.
4. Always disconnect the power supply prior to servicing the fan, motor or junction box.
5. Do not bend or kink the power wires.
6. Do not install where the room air temperature will exceed 104°F (40°C).
7. This ventilation fan is approved for use in a ceiling over a bathtub or shower when installed on a ground-fault circuit interrupter (GFCI) protected circuit. Do not use fan over a bathtub or shower that is not approved for that application and marked accordingly.
8. Do not use to exhaust hazardous or explosive vapors.
9. Do not install in a cooking area.
10. Use this unit in the manner intended by the manufacturer. If you have any questions, please call customer service.
11. Installation work must be carried out by a qualified person, in accordance to all local and safety codes, including the rules for fire-rated constructions.
12. Exercise care not to damage existing wiring when cutting or drilling into walls or ceilings.
13. Fans should always be vented to the exterior and in compliance with local codes. Do not vent exhaust air in spaces within walls, ceiling, attic, crawl space or garage.
14. Do not use this fan with any solid state control device.
15. Prior to service or cleaning this unit, shut off power supply at the panel and lock to prevent the power from being turned on. If the panel cannot be locked, clearly mark the panel with a warning tag to prevent the power from being turned on.
16. Duct work should be installed in a straight line with minimal bends.
17. Duct work size must be a minimum of the discharge and should not be reduced. Reducing the duct size can increase fan noise.
18. The switch should not be accessible from inside of bathtub or shower.
19. The fan is to be mounted at least 7 feet (2.1 m) above the floor.

BEFORE YOU BEGIN

1. Carefully unpack and remove the unit from the carton.
2. Check to make sure you have all components listed in the tables shown below.
3. If any components are missing, please contact the manufacturer.

ITEM	PICTURE	QUANTITY
Long Wood Screw (4 x 30mm)		8
Short Wood Screw (4 x 6mm)		4

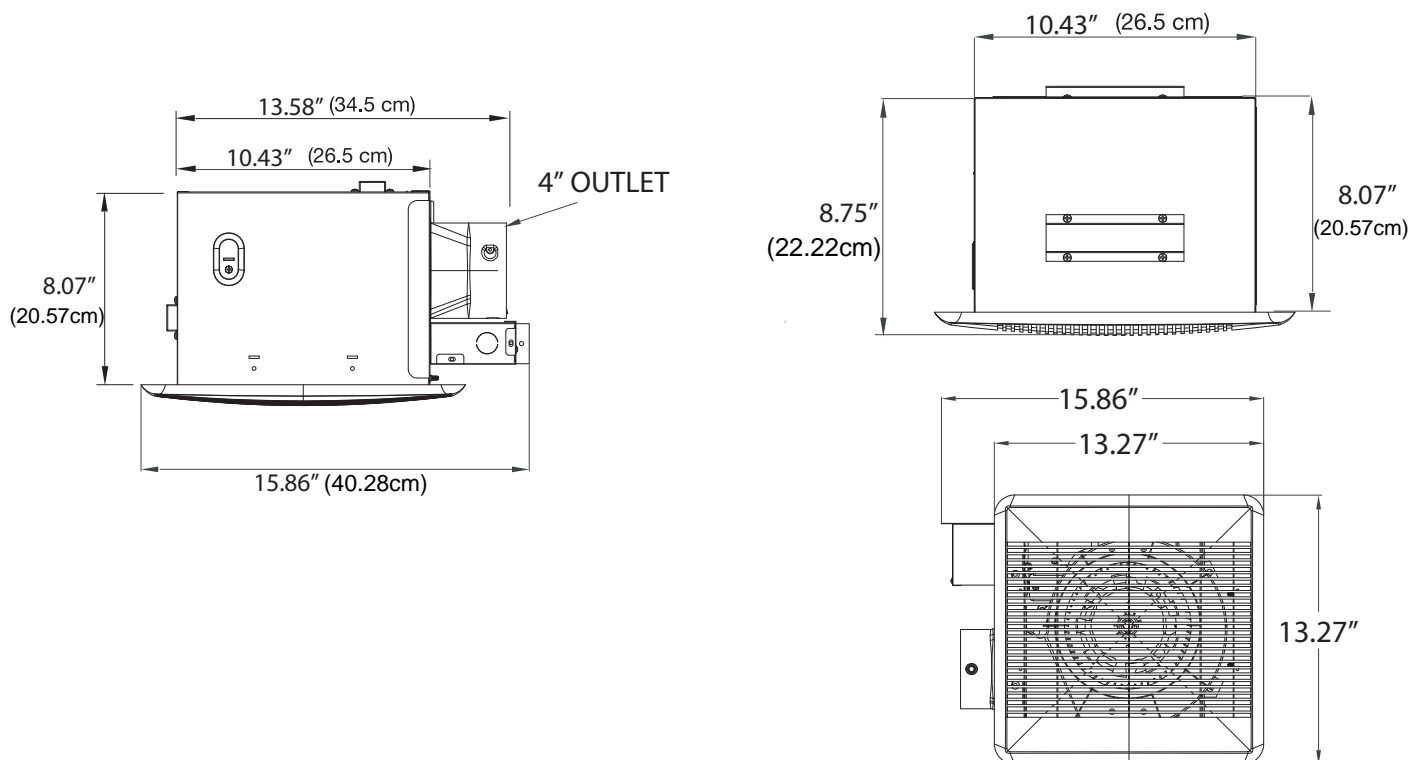


ITEM	PICTURE	QUANTITY
Fan Unit		1
Grill		1
Suspension Bracket 1		2
Suspension Bracket 2		2

PRODUCT SPECIFICATIONS

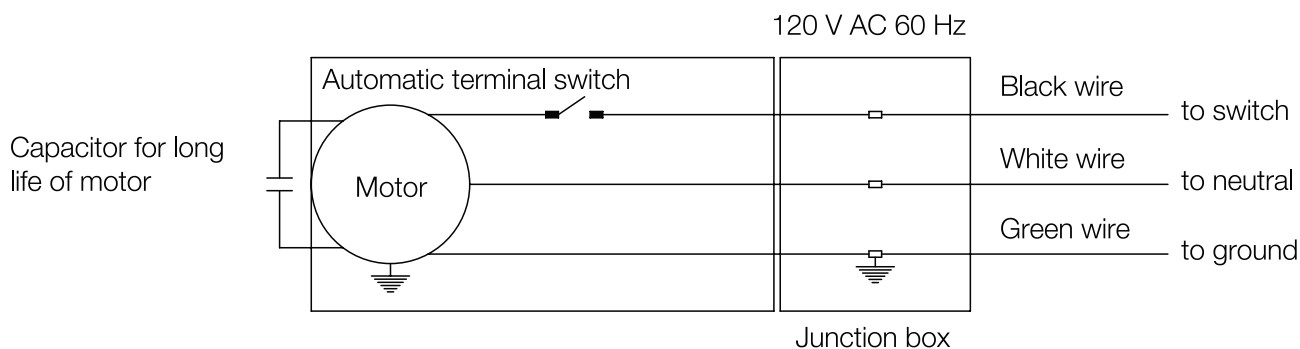
MODEL	AIR DIRECTION	V	HZ	DUCT DIAMETER	NOISE (SONE)	POWER	AIR DELIVER AT 0.1" WG (CFM)
BV-BF-03 	150 CFM	120	60	4" (10.16 cm)	1.5	42 W	150 CFM

DIMENSIONS



CEILING OPENING L	CEILING OPENING W	CEILING OPENING D	HOUSING DIMENSION L	HOUSING DIMENSION W	HOUSING DIMENSION D
11 3/8" (28.89 cm)	10 1/2" (26.67 cm)	8 5/8" (21.84 cm)	10 3/8" (26.5 cm)	10 3/8" (26.5 cm)	8 1/16" (20.57 cm)

Wiring diagram



FAN HOUSING

INSTALLATION INSTRUCTIONS

Installation I (joist mounting)

1. Insert the suspension bracket into the fan body. If spacing between joists is 21 ¼" to 23 ½" (54 cm to 59.7 cm) connect suspension brackets I and II (Fig. 1).
2. Mount the fan body to joist using the suspension brackets and long wood screws (Fig. 2-1 or Fig. 2-2 and 2-3).

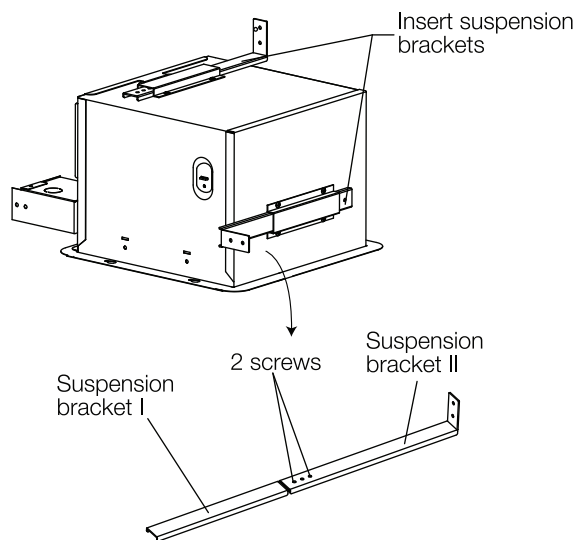


Fig. 1

CAUTION

Dimension "B" should allow for thickness of ceiling board used in your application. Do not flush mount to joist. Flange should be flush with ceiling board (Fig. 2-1a).

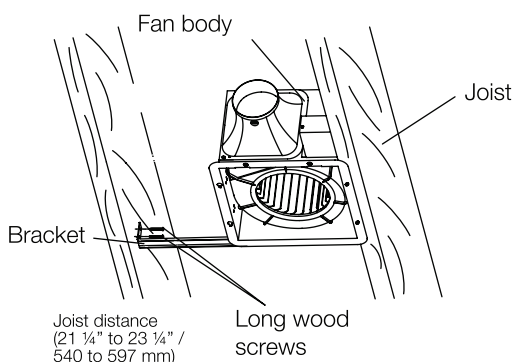


Fig. 2-1

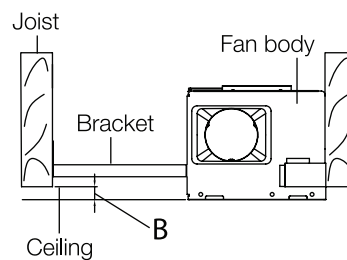


Fig. 2-1a

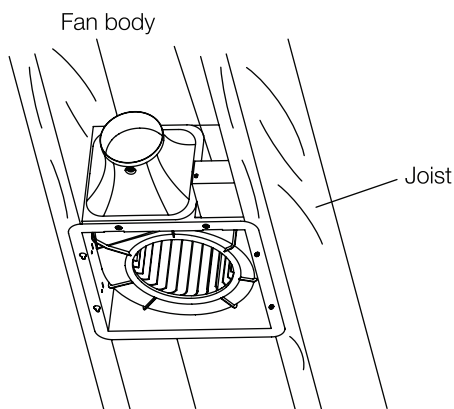


Fig. 2-2

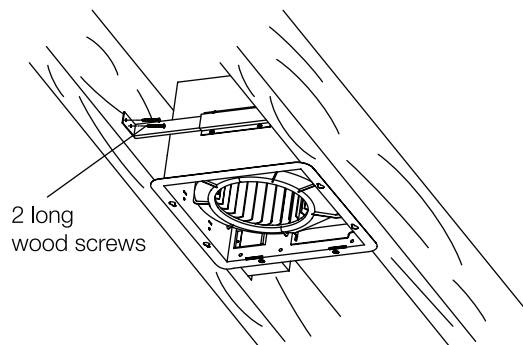


Fig. 2-3

3. Refer to wiring diagram on page 3.
Remove the junction box cover.
Using wire nuts, connect house wires to ventilating fan wires: black to black; white to white; green to green.
Replace the junction box cover (Fig. 3).

CAUTION

If your house wires do not match these colors, you must determine what each house wire represents before connecting and you may need to consult an electrical contractor to determine this safely. Mount junction box cover carefully so lead wires are not pinched.

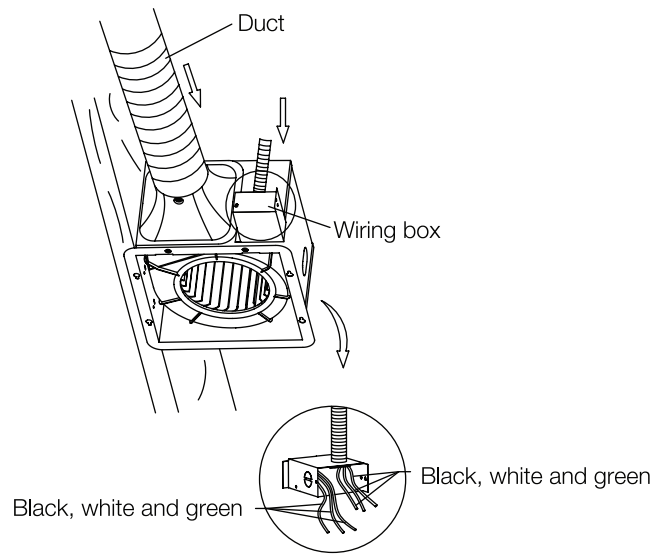


Fig. 3

4. Install a circular duct and secure it with duct tape or clamps.
5. Finish ceiling work. Ceiling hole should be flush with the edge of the flange. Do not flush mount to joist. Flange should be flush with ceiling board. See dimension for ceiling hole on page 4 (Fig. 4). If a joist is present, insert long wood screws through flange and through ceiling to secure fan to joist.
6. Pinch mounting springs and insert into narrow rectangular slots inside the fan housing next to the fan motor (Fig. 5).
7. Turn on electricity at breaker box after finishing installation.

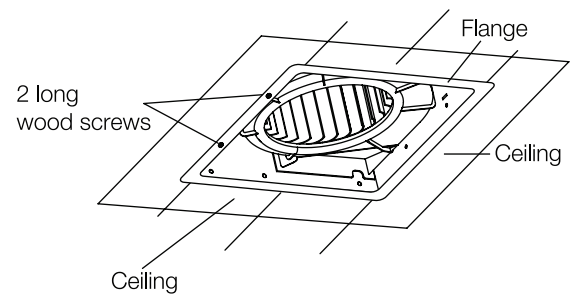


Fig. 4

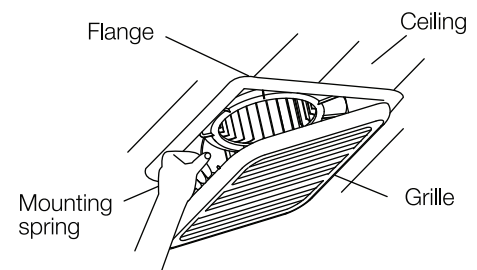


Fig. 5

Installation II (in existing construction)

Installing the fan body in an existing building requires an accessible area (attic or crawl or space) above the planned installation location and existing duct and wiring.

A) To install the fan body, follow the procedures described in Installation I.

1. Take the following precautions before installation:

- Check the area above installation location to be sure that:
 - Duct work can be run and the area is sufficient for proper ventilation;
 - Wiring can be run to the planned location;
 - No wiring or other obstructions can interfere with installation.
- Inspect ductwork and wiring before proceeding with installation
- Plan suitable location for fan body (next to ceiling joist). Do not flush mount flange to ceiling joist.
- Before installation, provide inspection and future maintenance access at a location that will not interfere with installation work.

2. Remove ceiling section using dimensions provided on page 4. Be careful to cut the hole exactly. If the hole is too big, the fan grille will not hide it.

3. Install fan body.

4. Continue with steps 3-7 of Installation I on page 7 to complete installation work.

B) Installation from accessible area (e.g. attic) above fan location:

1. Inspect duct work and wiring before proceeding with installation.

2. Remove ceiling section using dimensions provided on page 4.

3. Install fan body.

4. Continue with steps 3-7 of Installation I on page 7 to complete the installation work.

Maintenance

ELECTRICAL WARNING

Disconnect power supply before servicing.
See General safety information and warnings on page 5 before proceeding. Routine maintenance should be done at least once a year.

CAUTION

- Never use solvents, thinner or harsh chemical for cleaning the fan.
- Do not allow water to enter the motor.
- Do not immerse resin parts in water over 140°F (60°C).

1. Remove grille by squeezing spring and pull down (Fig. 6).
2. Wash and clean the grille in a sink and dry with a cloth (Fig. 7).
3. Remove dust and dirt from the fan housing with a vacuum cleaner (Fig. 8).
4. Dampen cloth with dish detergent, wipe the fan housing and dry with a cloth (Fig. 9).
5. Replace the grille.

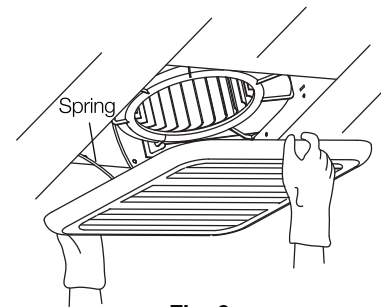


Fig. 6

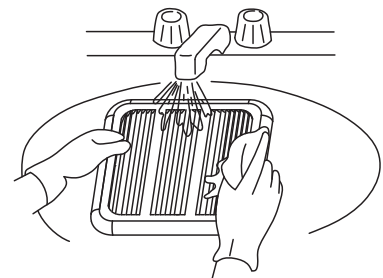


Fig. 7

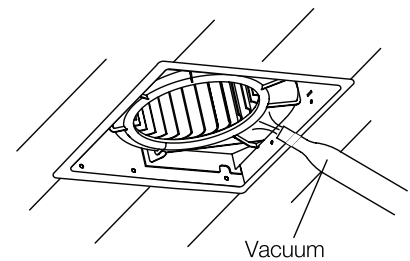


Fig. 8

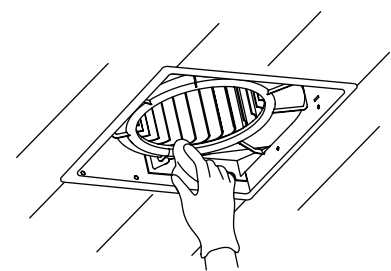


Fig. 9

Limited warranty

This is a quality product. It was made and selected with care and Airzone offers a limited one-year warranty against any manufacturing defects as long as it is used according to its intended use. Airzone will exchange any product that would show any such manufacturing defects. However, this warranty does not include labor costs to install or remove the fan.