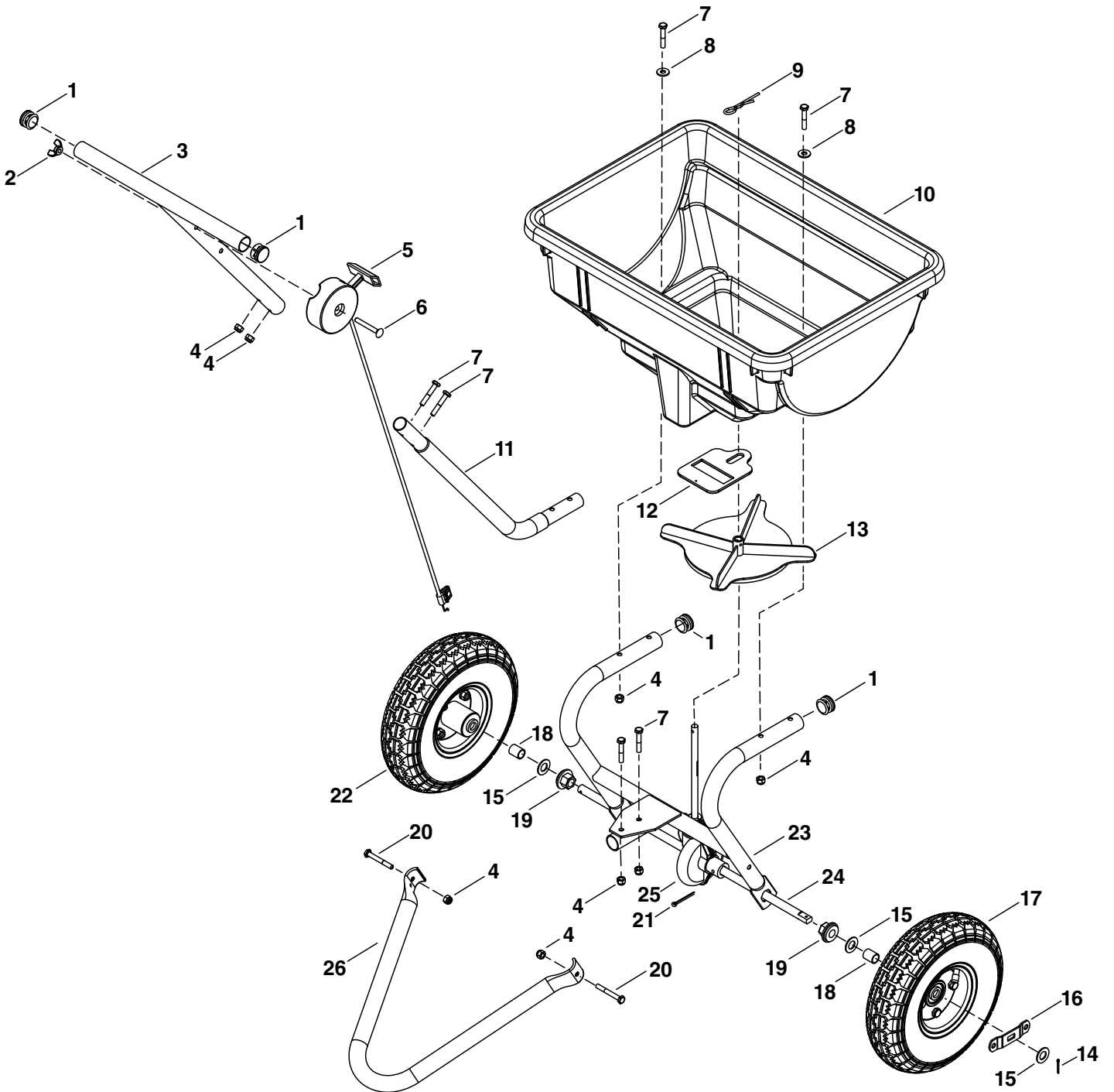


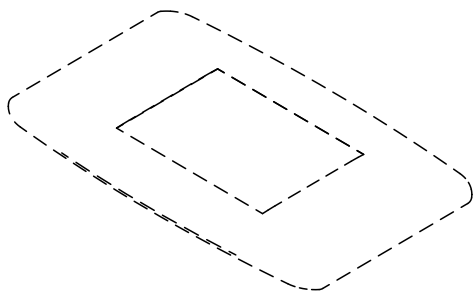
45-0531



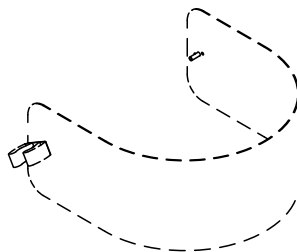
45-0531

REF	QTY	PART NO	DESCRIPTION	REF	QTY	PART NO	DESCRIPTION
1	4	49449	1" Plug	15	4	R19171616	Large Washer
2	1	47141	1/4" Nylon Wing Nut	16	1	24116	Drive Wheel Plate
3	1	69009	Handle	17	1	48865	Drive Wheel
4	8	47189	1/4" Nylock Hex Nut	18	2	45296	Spacer
5	1	45360	Control Cable	19	2	47963	Flange Bearing
6	1	45165	Carriage Bolt	20	2	46699	1/4 X 2" Hex Bolt
7	6	43648	1/4 X 1-1/2" Hex Bolt	21	1	43501	9/64" Cotter Pin
8	2	43088	Small Washer	22	1	46503	Wheel
9	1	48934	Hairpin Agitator	23	1	68491	Frame Assembly
10	1	47994BLK	Hopper	24	1	28379	1/2" Axle
11	1	28464	Lower Handle Tube	25	1	40904	Gearbox Assembly
12	1	47983	Flow Slide	26	1	28463	Stand Tube
13	1	47124	Impeller		1	45435	Owner's Manual
14	2	44101	3/32" Cotter Pin				

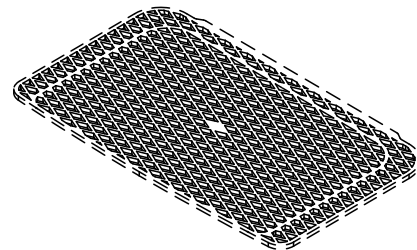
OPTIONAL ACCESSORIES



40883
Cover



69115
Deflector Kit



69128
Plastic Grate